

FULGOR

MILANO



SO FIA

ENDLESS PASSION FOR COOKING

PROFESSIONAL SINGLE OR DOUBLE

USE & CARE MANUAL

GUIDE D'UTILISATION ET D'ENTRETIEN

MANUAL DE USO Y CUIDADO



Dear Customer,

Thank you for purchasing a Fulgor Milano product. Fulgor Milano is committed to excellence and our signature technologies provide you with professional tools for your kitchen. One of our central philosophies is continuous investment in research that is rooted in developing life enhancing technology. Our goal is to deliver products that are worthy of your family recipes and that will breathe life into your kitchen, the heart of your home. We invite you to enjoy your new Fulgor Milano product with same amount of care and attention that we have put into creating it.

Your Life | Our Passion

Gianni Nencofetti

TABLE OF CONTENTS	PAGE
1 - General Appliance and Oven Safety Precautions	2
Safety for the Oven	3
Safety for the Self-Cleaning Oven	3
2 - General Appliance and Oven Safety Instructions	3
3 - Cooking with the Convection Oven	4
4 - Features of your Oven	5
5 - The Control Panels	6
Command Keys	6
Display	6
Knobs	6
6 - Oven Modes	7
7 - General Oven Information	8
8 - General Oven Tips	9
Oven Racks	9
Oven Telescopic Racks	10
9 - Setting the Clock and Timer	11
To Set the Time of Day	11
To Set the Timer	11
10 - Selecting the Oven Mode	12
Setting Cooking Mode and Temperature	12
Using [MENU] key to select low temperature functions	12
Using Oven Lights	12
11 - 11 - Timed Oven Mode Operation	13
To Set a Timed Mode	13
To Delay the Start of a Timed Mode	13
When a Timed Mode is running	13
How to check a time value	13
12 - Setting the Meat Probe Options	14
13 - Bake Tips and Techniques	15
General Guidelines	15

TABLE OF CONTENTS	PAGE
14 - Convection Bake Tips and Techniques	16
Convection Bake Chart	17
15 - Convection Roast Tips and Techniques	18
16 - Convection Broil Tips and Techniques	20
17 - Dehydrate Tips and Techniques	21
18 - Broil Tips and Techniques	22
19 - Special Features	23
20 - Sabbath Mode Instruction	24
21 - Oven Care and Cleaning	25
Self-Cleaning the Oven	25
Preparing the Oven for Self-Clean	25
22 - Setting the Self-Clean Mode	26
To Set the Self-Clean Mode	26
To Change the Cleaning Time	26
To Delay the Start of Cleaning	26
23 - General Oven Care	27
How to Use the Oven Cleaning Chart	27
Cleaning Chart	27
24 - Oven Finishes / Cleaning Methods	28
25 - Do-it-Yourself Maintenance Oven Door Removal	29
To Remove Door	29
To Replace Door	29
26 - Replacing an Oven Light	30
To Replace a Light Bulb	30
27 - Solving Baking Problems	31
28 - Solving Operational Problems	32



IMPORTANT INSTRUCTION

General Appliance and Oven Safety Precautions
Please read all instructions before using this appliance.



WARNING

When properly cared for, your new oven has been designed to be a safe, reliable appliance. Read all instructions carefully before using this oven. These precautions will reduce the risk of burns, electric shock, fire, and injury to persons. When using kitchen appliances, basic safety precautions must be followed, including the following:

This appliance must be properly installed and grounded by a qualified technician. Connect only to properly grounded outlet. See "Grounding Instructions" found in the Installation Instructions.

- This appliance should be serviced only by a qualified service technician. Contact the nearest authorized service center for examination, repair or adjustment.
- Do not repair or replace any part of the oven unless specifically recommended. Refer service to an authorized servicer.
- Do not operate this appliance if it is not working properly or if it has been damaged, until an authorized servicer has examined it.
- Install or locate this appliance only in accordance with the Installation Instructions.
- Use this oven only as intended by the manufacturer. If you have any questions, contact the manufacturer.
- Do not cover or block any openings on this appliance.
- Use this appliance only for its intended use as described in this manual. Do not use corrosive chemicals, vapors, or nonfood products in this appliance. This type of oven is specifically designed to heat or cook. It is not designed for industrial or laboratory use. The use of corrosive chemicals in heating or cleaning will damage the appliance.
- In the event that personal clothing or hair catches fire, DROP AND ROLL IMMEDIATELY to extinguish flames.
- Do not allow children to use this appliance unless closely supervised by an adult. Children and pets should not be left alone or unattended in the area where the appliance is in use. Never allow children to sit or stand on any part of the oven.



CAUTION

- Do not store items of interest to children above the oven. If children should climb onto the appliance to reach these items, they could be seriously injured.

To reduce the risk of fire in the oven cavity:

1. Do not slide oven across floor. Damage to floor covering or floor could result.
2. Do not use water on a grease fire. Smother fire or use a dry chemical or foam-type extinguisher.
3. It is highly recommended that a fire extinguisher be readily available and highly visible next to any cooking appliance.
4. Do not overcook food. Carefully attend oven if paper, plastic or other combustible materials are placed inside the oven.
5. Do not use the cavity for storage purposes. Do not leave paper products, cooking utensils or food in the cavity when not being used.
6. If materials inside the oven should ignite, keep oven door closed. Turn oven off and disconnect the circuit at the circuit breaker box.
7. Do not block any vent openings.
8. Be sure the blower fan runs whenever the oven is in operation. If the fan does not operate, do not use the oven. Call an authorized service center.
9. Never use the oven to warm or heat a room. This can damage the oven parts.
10. For personal safety, wear proper clothing. Loose fitting or garments with hanging sleeves should never be worn while using this appliance.

Safety for the Oven

- Tie long hair so that it doesn't hang loose.
- Do not touch heating elements or interior surfaces of oven.
- The heating elements may be hot even though they are dark in color. Interior surfaces of an oven become hot enough to cause burns.
- During and after use, do not touch or let clothing or other flammable materials contact the heating elements or the interior surfaces of the oven until they have had sufficient time to cool. Other surfaces of the appliance may become hot enough to cause burns - among these surfaces are (identification of surfaces - for example, oven vent openings and surfaces near these openings, oven doors, and windows of oven doors).
- The trim on the top and sides of the oven door may become hot enough to cause burns.
- Use care when opening the door. Open the door slightly to let hot air or steam escape before removing or replacing food.
- Do not heat unopened food containers. Build-up of pressure may cause the container to burst and cause injury.
- Always place oven racks in desired location while oven is cool. If a rack must be moved while oven is hot, do not let pot holder contact the hot heating elements.
- Use only dry pot holders. Moist or damp pot holders on hot surfaces may result in burns from steam. Do not let pot holder touch hot heating elements. Do not use a towel or other bulky cloth.

Safety for the Self-Cleaning Oven

- Confirm that the door locks and will not open once both selectors are in CLEAN position and the door lock icon appears. If the door does not lock, turn the cook mode selector to OFF and do not run Self-Clean. Phone for Service.
- Do not clean the door gasket. It is essential for a good seal. Care should be taken not to rub, damage, move or remove the door gasket.
- Do not use commercial oven cleaners or oven liner protective coatings of any kind in or around any part of the oven.
- Clean only oven parts listed in this manual.
- Before self-cleaning the oven, remove the broiler pan, oven racks (only when not made of porcelain), other utensils and excess soft spillage.



WARNING

The California Safe Drinking Water and Toxic Enforcement Act requires businesses to warn customers of potential exposure to substances which are known by the State of California to cause cancer or reproductive harm.

The elimination of soil during self-cleaning generates some by-products which are on this list of substances.

To minimize exposure to these substances, always operate this oven according to the instructions in this manual and provide good ventilation to the room during and immediately after self-cleaning the oven.

In a conventional oven, the heat sources cycle on and off to maintain an average temperature in the oven cavity.

As the temperature gradually rises and falls, gentle air currents are produced within the oven. This natural convection tends to be inefficient because the currents are irregular and slow. In this convection system, the heat is "conveyed" by a fan that provides continuous circulation of the hot air.

This European Convection system provides state-of-the-art engineering and advanced design to create the finest convection oven. In standard convection ovens, a fan simply circulates the hot air around the food. The system is characterized by the combination of an additional heating element located around the convection fan and the venting panel that distributes heated air in three dimensions: along the sides, the top and the full depth of the oven cavity. This European Convection system aids in maintaining a more even oven temperature throughout the oven cavity.

The circulating air aids in speeding up the baking process and cooks the food more evenly. By controlling the movement of heated air, convection cooking produces evenly browned foods that are crispy on the outside yet moist inside. Convection cooking works best for breads and pastries as well as meats and poultry. Air-leavened foods like angel food cakes, soufflés and cream puffs rise higher than in a conventional oven. Meats stay juicy and tender while the outside is flavourful and crisp.

By using European Convection, foods can be cooked at a lower temperature and cooking times can be shorter.

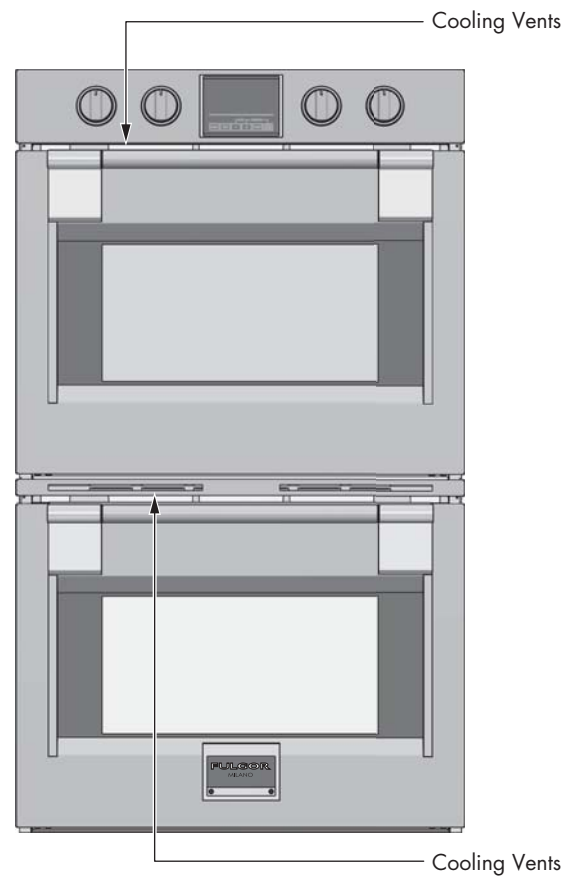
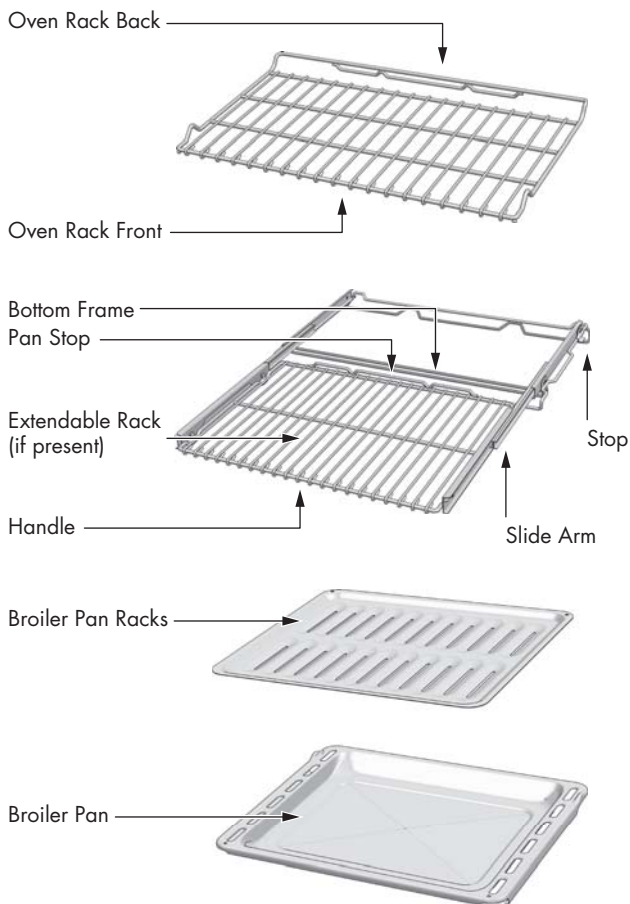
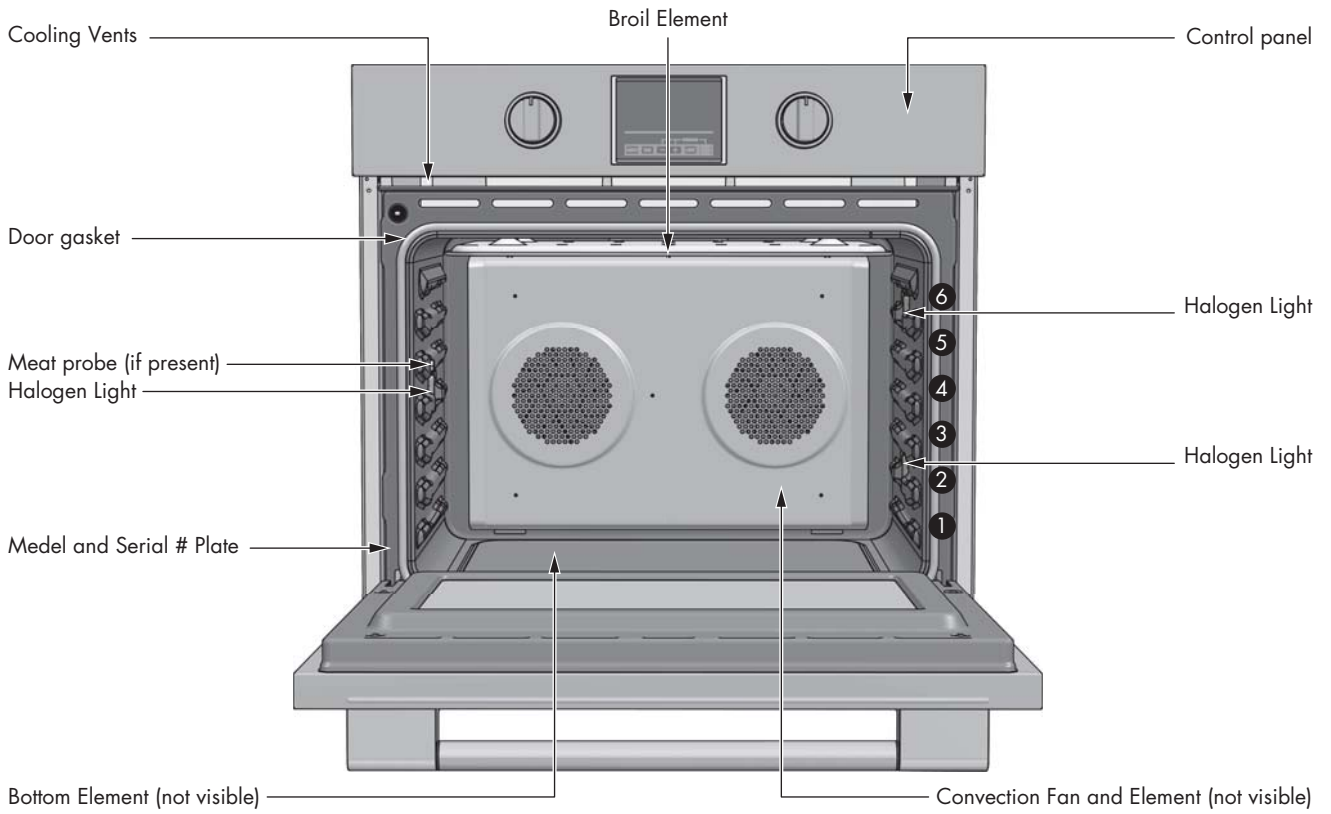
When using this mode, the standard oven temperature should be lowered by 25°F (15°C).

Foods requiring less cooking time should be checked slightly earlier than normal. For best results, foods should be cooked uncovered, in low-sided pans to take advantage of the forced air circulation. When using the Convection Roast mode, the standard oven temperature does not need to be reduced.

Advantages of Convection Cooking

- Even baking, browning and crisping are achieved.
- During roasting, juices and flavors are sealed in while the exterior is crisp.
- Yeast breads are lighter, more evenly textured, more golden and crustier.
- Air-leavened foods such as cream puffs, soufflés and meringues are higher and lighter.
- Baking on multiple racks at the same time is possible with even results.
- Multiple-rack baking saves time.
- Prepare whole meals at once with no flavor transfer.
- Dehydrates herbs, fruits and vegetables.
- Requires no specialized bake ware.
- Saves time and energy.
- Convection broiling allows for extraordinary grilling with thicker cuts of food.

FEATURES OF YOUR OVEN

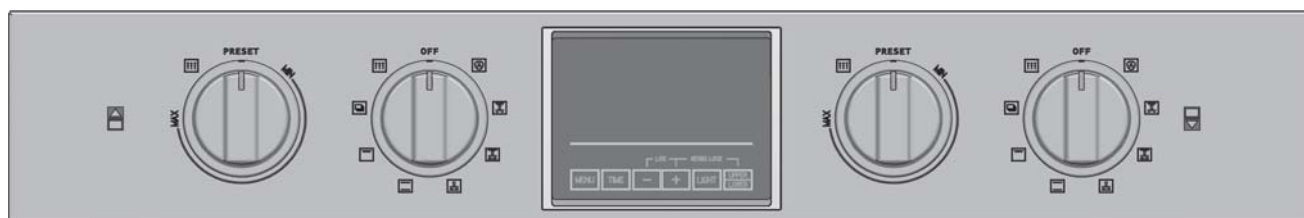


The user interface has the following features: display, preheat light indicators, keys for commands, cooking mode and temperature selectors.

SINGLE OVEN



DOUBLE OVEN



Command Keys

MENU	Touch this key to enable special functions, low temperature modes or to enter special menu.
TIME	touch this key until "SET TIME" appears to set or change the time of day. Touch this key until "TIMER" appears to set, modify or clear the minute minder value. Once a cooking function has been selected, touch this key until "TIME" appears in order to set, modify or cancel the cooking time. Touch this key until "STOP TIME" appears in order to set, modify or cancel the end of cooking time. Whenever one of the former modes has been enabled and its digits flash, touch or hold:
-	key to decrease the value.
+	key to increase the value.
LIGHT	Touch to switch the oven lights status.
P-HEAT	When a cooking function has been selected, touch this key to enable the fast preheat mode. The fast preheat is not available for all functions.
UPPER LOWER	Touch this key to select the upper cavity if none is selected. If one of the two is already selected, touch it and switch to the other one.

Display

Central Display for time and miscellaneous functions:

for time of day, minute minder, automatic cooking. AM/PM indication is also present.

Miscellaneous indications are also available to show which cavity is currently selected and whether any door has been locked, automatically for self-clean or manually by the user.

Display for Temperature indications:

Degree unit (°C or °F) indication is present. It shows the temperature set-point for the current cooking mode, in the selected cavity.

Display with writings for Cooking Modes indication:

to indicate which function has been selected.

Knobs

Cooking mode selector (multifunction), with eight cooking modes + OFF position.

Temperature selector with PRESET and CLEAN positions + continuous range between MIN and MAX values.

The following illustrations give an overview of what happens in the oven with each mode setting. The arrows represent the location of the heat sources during specific modes. The lower element is concealed under the oven floor.

CAVITY STYLES		
<p>Convection Bake (CONV BAKE)</p>	<p>Bake (BAKE)</p>	<p>Dehydrate (CONV DEHY)</p>
<p>Set temperature: from 170 °F (75 °C) to 550 °F (290 °C) (preset position 325 °F (165 °C))</p> <p>Convection Bake cooks with heat from a ring element behind the back wall of the oven. The heat is circulated throughout the oven by the convection fan.</p>	<p>Set temperature: from 170 °F (75 °C) to 550 °F (290 °C) (preset position 350 °F (175 °C))</p> <p>Is cooking with heated air. Both the upper and lower elements cycle to maintain the oven temperature.</p>	<p>Set temperature: from 120 °F (50 °C) to 160 °F (70 °C) (preset position 140 °F (60 °C))</p> <p>Dehydrating is similar to convection cooking but holds an optimum low temperature while circulating the heated air to remove moisture slowly for food preservation.</p>
<p>Convection Broil (CONV BROIL)</p>	<p>Broil (BROIL)</p>	<p>Pizza (PIZZA)</p>
<p>Set temperature: from 170 °F (75 °C) to 550 °F (290 °C) (preset position 450 °F (230 °C))</p> <p>Convection Broil combines the intense heat from the upper element with the heat circulated by the convection fan.</p>	<p>Set temperature: from L1 to L5 (preset position L3)</p> <p>Broiling uses intense heat radiated from the upper element.</p>	<p>Set temperature: from 170 °F (75 °C) to 550 °F (290 °C) (preset position 450 °F (232 °C))</p> <p>Is a special cooking mode with heated air. The lower elements cycle to cook Pizza.</p>
<p>Convection Roast (CONV ROAST)</p>	<p>Proof (WARM)</p>	<p>Defrost (CONV)</p>
<p>Set temperature: from 170 °F (75 °C) to 550 °F (290 °C) (preset position 325 °F (165 °C))</p> <p>Convection Roast uses the upper and lower elements and convection fan.</p>	<p>Set temperature: from 80 °F (25 °C) to 120 °F (50 °C) (preset position 100 °F (35 °C))</p> <p>Warming (WARM PLUS) Set temperature: from 130 °F (55 °C) to 210 °F (100 °C) (preset position 170 °F (75 °C))</p> <p>Proof and Warming use the lower elements to keep foods warm.</p>	<p>Does not used any heating element, only the convection fan is used to defrost foods.</p>

Before using your oven for the first time remove all packing and foreign materials from the oven(s). Any material of this sort left inside may melt or burn when the appliance is used.

Heat the empty appliance to the maximum temperature in order to remove any manufacturing residues which could affect the food with unpleasant odors.

Flashing Symbols or Numbers

Signals an incomplete action that is in progress (locking the door, preheat, etc.) or an incomplete setting that calls for another input.

Beeps

Signals that more information must be entered or confirms the receipt of an entry. Beeps also signal the end of a function or an oven fault.

Door lock

It's displayed steadily when the door is locked. The symbol flashes when the latch is moving in order to lock or unlock the door. Do not attempt to open the door at this time. Door can be opened when the symbol no longer appears. "AUTO LOCK" appears when the door has been locked automatically due to self-clean mode.

"USER LOCK" is displayed when the door has been locked manually by the user, for example to prevent children from having free access to the oven cavity. Hold both the **+** and **-** keys for 3 seconds. The latch will lock the door. Repeat the same operation to unlock.

Locking the keyboard

Hold both the keys indicated by "KEYBD. LOCK" legend for 3 seconds. Commands are now locked and "SENS LOCK" will be displayed every time you touch any keys. Repeat the same operation for 3 seconds to unlock the keyboard.

Power Failure

After the power returns to the oven, the clock displays the time 12.00^{AM}.

Default Settings

The cooking modes automatically select a suitable temperature when the selector is in the preset position. These can be changed when a different one is needed. It's also possible to set a user option in order to save the last used temperature per every cooking mode.

Failure Number Codes

These codes are displayed when the electronic control detects a problem in the oven or in the electronics.

Convection Fan

The convection fan operates during any convection mode. When the oven is operating in the convection mode, the fan will turn off automatically when the door is opened. The convection fan always runs during the preheat time.

Component Cooling Fan

Activates during any cooking or self-cleaning mode to cool inner components and outer door surfaces. This air is exhausted through the vent located above the oven door. It continues to run until components have cooled sufficiently. The cooling fan operates at double speed (or RPM's) in self-clean and whenever the internal components temperature becomes high.

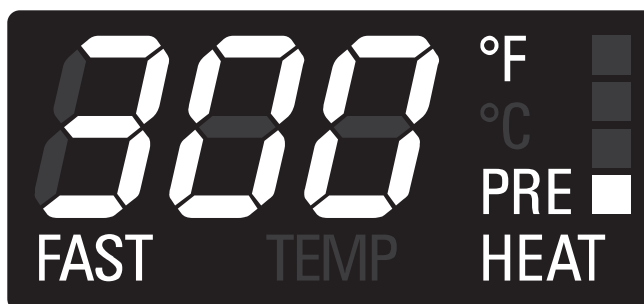
Preheat and Fast Preheat

Whenever a cooking mode is set and the oven is heating, the "PREHEAT" writing appears in the temperature display: the vertical bar indicates, in four steps, when the oven reaches the 25%, 50%, 75%, 100% of the set-point temperature.

As soon as the 100% is reached, the control sounds an "end of preheat" tone and the "PREHEAT" writing disappears.

When it's necessary to heat up the oven rapidly, a Fast Preheat mode is available: it uses the heating elements and the convection fan in a special way, in order to reduce the heating time as long as possible.

After having set one of the cooking functions for which the fast preheat is available, touch the **P-HEAT** key, the "FAST" writing is shown in addition to the "PREHEAT" one.



As soon as the set-point temperature is reached, the control sounds an "end of preheat" tone and both "FAST" and "PREHEAT" writings disappear. The oven switches automatically to the desired cooking mode that was previously set: put the food inside now.

Preheating the Oven

- Preheat the oven when using the Bake, Convection Bake and Convection Roast modes.
- Use Fast Preheat mode when a shorter time is desired to preheat the oven.
- Selecting a higher temperature does not shorten the preheat time.
- Preheating is necessary for good results when baking cakes, cookies, pastry and breads.
- Preheating is necessary for good results when baking cakes, cookies, pastry and breads.
- Place oven racks in their proper position before preheating.
- During preheating, the selected cooking temperature is always displayed.
- A beep will confirm that the oven is preheated and the "PREHEAT" writing will turn off.

Operational Suggestions

- Use the cooking charts as a guide.
- Do not set pans on the open oven door.
- Use the interior oven lights to view the food through the oven door window rather than opening the door frequently.

Utensils

- Glass baking dishes absorb heat. Reduce oven temperature 25°F (15°C) when baking in glass.
- Use pans that give the desired browning. The type of finish on the pan will help determine the amount of browning that will occur.
- Shiny, smooth metal or light non-stick / anodized pans reflect heat, resulting in lighter, more delicate browning. Cakes and cookies require this type of utensil.
- Dark, rough or dull pans will absorb heat resulting in a browner, crisper crust. Use this type for pies.
- For brown, crisp crusts, use dark non-stick / anodized or dark, dull metal utensils or glass bake ware. Insulated baking pans may increase the length of cooking time.
- Do not cook with the empty broiler pan in the oven, as this could change cooking performance. Store the broil pan outside of the oven.

Oven Condensation and Temperature

- It is normal for a certain amount of moisture to evaporate from the food during any cooking process. The amount depends on the moisture content of the food. The moisture may condense on any surface cooler than the inside of the oven, such as the control panel.
- Your new oven has an electronic temperature sensor that allows maintaining an accurate temperature. Your previous oven may have had a mechanical thermostat that drifted gradually over time to a higher temperature. It is normal that you may need to adjust your favorite recipes when cooking in a new oven.

High Altitude Baking

- When cooking at high altitude, recipes and cooking time will vary from the standard.

120/240 vs. 120/208 Volt Connection

- Most oven installations will have a 120/240 voltage connection.
- If your oven is installed with 120/208 voltage, the preheat time may be slightly longer than with 120/240 voltage.
- The oven is designed to assure the same clean time at 208V.

Oven Racks

- The oven has rack guides at six levels as shown in the illustration on Page 5.
- Rack positions are numbered from the bottom rack guide (#1) to the top (#6).
- Check cooking charts for best rack positions to use when cooking.
- Each level guide consists of paired supports formed in the walls on each side of the oven cavity.
- Always be sure to position the oven racks before turning on the oven. Make sure that the racks are level once they are in position.

Please refer to illustration on Page 5 if there is any question as to which side is the front of the rack.

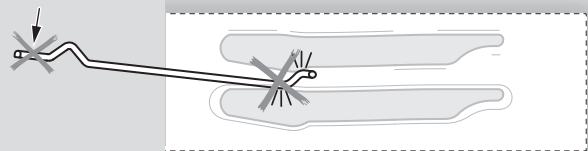
The racks are designed to stop when pulled forward to their limit.

CAUTION

Never use aluminum foil to cover the oven racks or to line the oven. It can cause damage to the oven liner if heat is trapped under the foil.

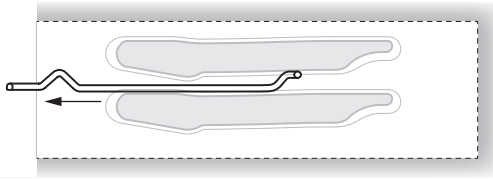
CAUTION

Make sure you do not force it to avoid damage to the enamel.

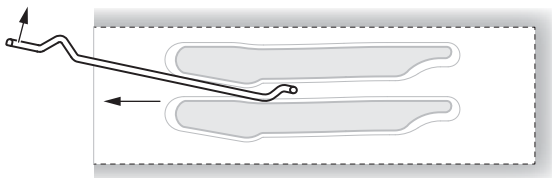


To remove oven rack from the oven:

1. Pull rack forward

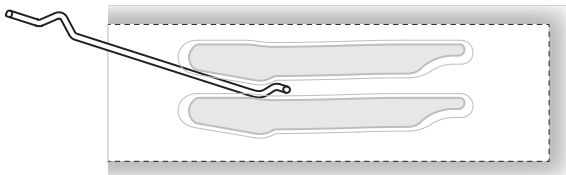


2. Lift rack up at front and then remove it

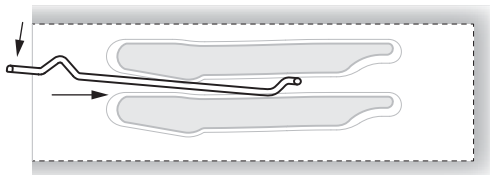


To replace an oven rack:

1. Place rear of rack between rack level guides



2. While lifting front of rack, slide rack in all the way while lowering the front



Oven Telescopic Racks

The extendable rack allows for easier access to cooking foods. It extends beyond the standard flat rack bringing the food closer to the user.

CAUTION

When the rack is outside of the oven, slide arms do not lock. They could unexpectedly extend if the rack is carried incorrectly. **Extending slide arms could cause injury. Rack should only be held or carried by grasping the sides.**

NOTE: Always remove the extendable rack before self-cleaning the oven.

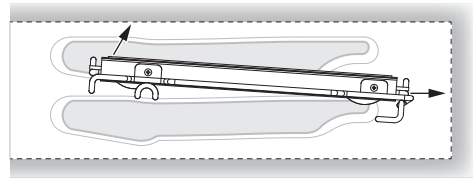
CAUTION!

To avoid burns, pull rack all the way out and lift pan above handle when transferring food to and from oven.

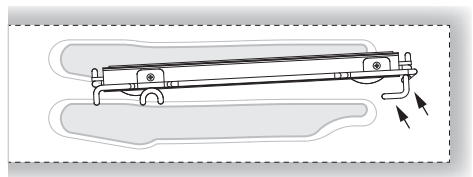
Please refer to illustration on Page 5 if there is any question as to which side is the front of the rack.

To remove extendable rack from the oven:

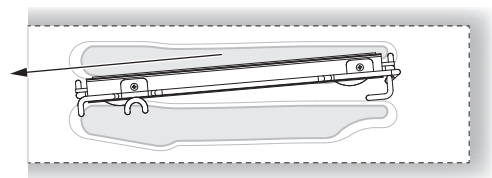
1. Lift of rack slightly and push it towards the back of the oven until the stop releases.



2. Raise back of rack until frame and stop clear rack guide

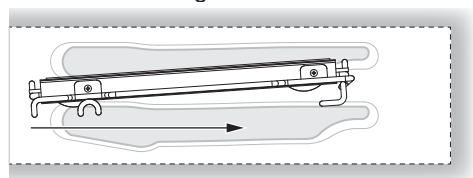


3. Pull rack down and out

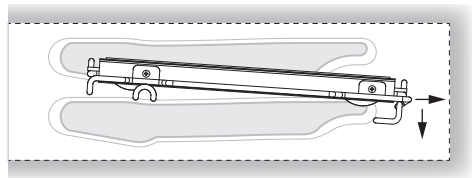


To replace an extendable rack:

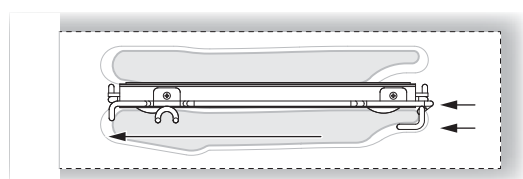
1. Grasp rack firmly on both sides. Place rack (including frame) above desired rack guide



2. Push all the way in until the back of the rack drops into place



3. Pull both sections forward until stops activate. Rack should be straight and flat, not crooked



The time of day is displayed in hours and minutes.

Always set the clock immediately after installation or after a power failure. Once power returns to the oven, the clock displays the time 12:00^{AM}.

The clock time will appear during all oven operations except when there is the timer or any timed cooking operations running.

The oven is preset to a 12-hour clock and indicates ^{AM} and ^{PM}.

To Set the Time of Day

1. Touch **TIME** until the display shows the "SET TIME" writing.
2. Touch **+** or **-** to set the desired time, the hours will begin flashing: continue until the correct hour value and ^{AM} or ^{PM} indication is selected.
3. Touch **TIME** again to confirm the hour and minutes will start flashing.
4. Touch **+** or **-** to set the desired minutes value or hold the key to change by 10 minute steps.
5. Touch **TIME** again or wait for 5 seconds in order to confirm the time.

To Set the Timer












1. Touch **TIME** until the display shows the "TIMER" writing.
2. Touch **+** or **-** to set the desired timer value, the hours will begin flashing: continue until the desired value is set.
3. Touch **TIME** again to confirm the hour and minutes will start flashing.
4. Touch **+** or **-** to set the desired minutes value or hold the key to change by 10 minute steps.
5. Touch **TIME** again or wait for 5 seconds in order to confirm the time.
6. "TIMER" will be steadily displayed.
7. When the time ends, reminder beeps will sound for 15 minutes or until the **TIME** key is pressed.
8. Timer format is usually HR:MIN, switching into MIN:SEC during the last minute.
9. The displayed value is always rounded to the lower minute.



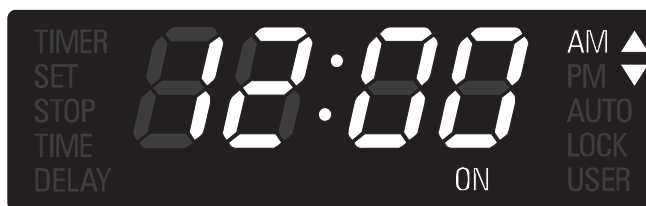
NOTE: The Time of Day can never be set if any time function is already set: first delete all the active time functions.

Setting Cooking Mode and Temperature

- The following modes can be selected by moving the cooking mode knob to the desired position. To select Clean, the temperature knob must be moved into the appropriate Clean position too.

Setting cooking	
OFF	OFF
	CONVECTION BAKE (CONV BAKE)
	CONVECTION BROIL (CONV BROIL)
	CONVECTION ROAST (CONV ROAST)
	PIZZA (MULTI PIZZA)
	BAKE (BAKE)
	BROIL (BROIL)
	DEHYDRATE (CONV DEHY)
	PROOF (WARM)
	DEFROST (CONV)
	WARMING (WARM PLUS)
	CLEAN





- Select the desired temperature by moving the selector or leave it in the PRESET position if the proposed value is fine. The temperature can be changed by 5°F or 5°C steps.
- As soon as one of the knobs is moved, the control switches automatically to display the value in the corresponding cavity. The corresponding writing "UPPER" or "LOWER" appears.
- Cavity will begin to heat, the "ON" writing is displayed when the selected oven is active, oven lights will turn on.
- "PREHEAT" writing will turn on. Once the oven has preheated, it will beep and switch the writing off.
- To change the temperature while cooking, simply turn the temperature knob until the display shows the desired value.
- Touch **UPPER/LOWER** to select the desired cavity and check the related temperature or time values, even if there's no need to change those.
- Move the cooking mode selector to OFF if you intend to stop cooking.



- The triangles in the upper right corner of the display are active when a cavity is running, even if it is not selected on the display.

Using **MENU** key to select low temperature functions

- To move the cooking mode selector to Low Temp modes, one of the following functions must be displayed:

Setting cooking	
	DEHYDRATE (CONV DEHY)
	PROOF (WARM)
	DEFROST (CONV)
	WARMING (WARM PLUS)

- Touch **MENU** key to toggle between these four modes.
- The last used is kept in memory for the next selection.

Using Oven Lights

- A single light key activates the lights in either oven.
- If **LIGHT** key is touched when both ovens are off, lights in both the upper and lower oven will turn on. Touch **LIGHT** key again, and both oven lights will turn off.
- Oven lights turn on and off automatically when the door is opened and closed.
- When an oven is in use, oven lights turn on automatically when a mode is started. Oven lights will turn off automatically when the oven mode is cancelled.
- The lights do not operate in the Self-Clean mode.

To manually control the interior oven lights in either the upper or lower oven if one or both ovens are in use:

- Touch **UPPER/LOWER** and the display will indicate which oven is selected.
- Touch **UPPER/LOWER** to select the other oven.
- Touch **LIGHT** to turn lights on or off in the desired cavity.

- In double oven models, both ovens can be set independently to operate a timed mode.
- Be sure that the time-of-day clock is displaying the correct time.
- The timed mode turns off the oven at the end of the cook time.

To Set a Timed Mode

1. Select the oven by means of [UPPER/LOWER] key, if necessary.
2. Select the cooking mode and the temperature by means of the knobs. The "ON" writing will appear in the display.
3. Touch **TIME** key until the "TIME" writings will appear in the display.
4. Touch **+** or **-**, the hour digits will begin flashing. Continue to set the desired cooking time. Keep in mind that the time required for the oven to reach the temperature must be included in the set cooking time.
5. Touch **TIME** again, the hours will be confirmed and the minute digits will begin flashing.
6. Touch **+** or **-** to change the minutes. Hold the key to change by 10 minutes steps. Continue to set the desired cooking time.
7. Touch **TIME** once again or wait for a few seconds to confirm the cooking time value.



To Delay the Start of a Timed Mode

Follow steps 1 through 6 or 7 above.

- Touch **TIME** key until "STOP TIME" will appear in the display.
- The control automatically calculates and displays the initial value, adding the cooking time already set to the time of day.



Touch **+** or **-**, the hour digits will begin flashing. Continue to set the desired stop time.

- Touch **TIME** again, the hours will be confirmed and the minute digits will begin flashing.
- Touch **+** or **-** to change the minutes. Hold the key to change by 10 minutes steps. Continue to set the desired stop time.
- Touch **TIME** once again or wait for a few seconds to confirm the stop time value.
- The clock automatically calculates the time of day at which the mode starts and stops. The "DELAY" writing is displayed until the starting time is reached.



When a Timed Mode is running

- As soon as the oven actually starts cooking, the display shows the cooking time and counts down by one minute steps. The oven will cook for the programmed time.
- When the time expires, the oven automatically turns off, the writings "ON" and "TIME" start flashing and an "end of activity" beep sequence sounds. Reminder beeps will sound for up to fifteen minutes until any key is touched in order to recall the user attention.

How to check a time value

- Whenever it's necessary to check a time value that is not displayed, touch the **TIME** key until the proper writing is displayed to view the desired value for 5 seconds.
- Example: if the timer value is displayed and you want to check the cooking time, touch the **TIME** key until "TIME" is displayed to view the cooking time for 5 seconds.



This oven is optionally provided with the meat probe feature to sense the temperature inside meat and stop cooking as soon as the set value is reached. In a double oven it's available only in the upper cavity.

The following modes can be selected to work with the meat probe:

CONVECTION BAKE

CONVECTION ROAST

BAKE

Other modes are not allowed to start if the probe is inserted.

Once the probe has been inserted in its receptacle and detected by the control, turn the cooking mode knob into a valid position, the PROBE writing appears on the cooking mode display with the selected function.



The meat probe standard temperature (170°F) flashes on the clock module for 5 seconds.

Using the **+**/**-** keys, it's possible to change the probe set.

The standard probe temperature set-point is 170°F.

The allowed range is between 130°F and 210°F.

The maximum cavity temperature during cooking with meat probe is 475°F.

The resolution must be 5°F or 2.5°C both for set and actual temperature.

After 5 seconds the value on the display is accepted and the control starts cooking. The actual probe temperature is now displayed.



Touch **+** or **-** once to check the probe set temperature. When it's flashing touch it further or hold to modify the value. As soon as the set probe temperature is reached, the control sounds an end of cooking tone and stops the oven.

Always turn the cooking mode in the OFF position before re-using the oven.

The PROBE writing flashes when the mode is not valid for cooking with probe. If the probe is removed during cooking, or in case of a short or open circuit, a fault message will be displayed.

Automatic time functions are disabled when using the meat probe, only the timer can work.

Baking is cooking with heated air. Both upper and lower elements in the oven are used to heat the air but no fan is used to circulate the heat.

Follow the recipe or convenience food directions for baking temperature, time and rack position. Baking time will vary with the temperature of ingredients and the size, shape and finish of the baking utensil.

General Guidelines

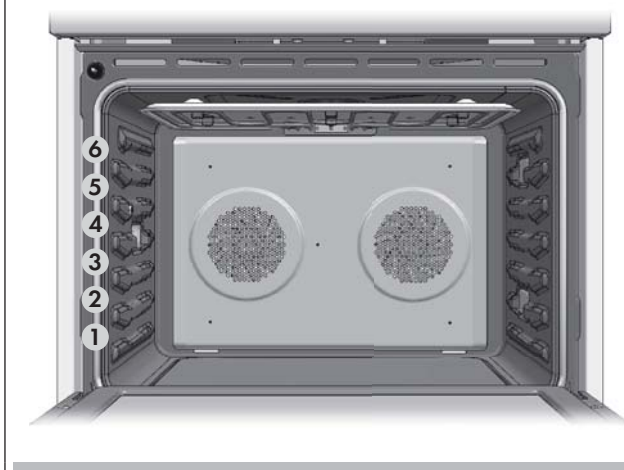
- For best results, bake food on a single rack with at least 1" - 1 1/2" (2,5 - 3cm) space between utensils and oven walls.
- Use one rack when selecting the bake mode.
- Check for doneness at the minimum time.
- Use metal bake ware (with or without a non stick finish), heatproof glass, glass-ceramic, pottery or other utensils suitable for the oven.
- When using heatproof glass, reduce temperature by 25°F (15°C) from recommended temperature.
- Use baking sheets with or without sides or jelly roll pans.
- Dark metal pans or nonstick coatings will cook faster with more browning. Insulated bake ware will slightly lengthen the cooking time for most foods.
- Do not use aluminum foil or disposable aluminum trays to line any part of the oven. Foil is an excellent heat insulator and heat will be trapped beneath it. This will alter the cooking performance and can damage the finish of the oven.
- Avoid using the opened door as a shelf to place pans.
- Tips for Solving Baking Problems are found on Page 31.

BAKE CHART - CONVECTION CAVITY				
FOOD ITEM	RACK POSITION	TEMP. °F (°C)		TIME (MIN)
		(PREHEATED OVEN)		
CAKE				
Cupcakes	2	350	(175)	19 - 22
Bundt Cake	1	350	(175)	40 - 45
Angel Food	1	350	(175)	35 - 39
PIE				
2 crust, fresh, 9"	2	375 - 400	(190 - 205)	45 - 50
2 crust, frozen fruit, 9"	2	375	(190)	68 - 78
COOKIES				
Sugar	2	350 - 375	(175 - 190)	8 - 10
Chocolate Chip	2	350 - 375	(175 - 190)	8 - 13
Brownies	2	350	(175)	29 - 36
BREADS				
Yeast bread loaf, 9x5	2	375	(190)	18 - 22
Yeast rolls	2	375 - 400	(190 - 205)	12 - 15
Biscuits	2	375 - 400	(190 - 205)	7 - 9
Muffins	2	425	(220)	15 - 19
PIZZA				
Frozen	2	400 - 450	(205 - 235)	23 - 26
Fresh	2	475	(246)	15 - 18

Reduce recipe baking temperatures by 25°F (15°C).

- For best results, foods should be cooked uncovered, in low-sided pans to take advantage of the forced air circulation. Use shiny aluminum pans for best results unless otherwise specified.
- Heatproof glass or ceramic can be used. Reduce temperature by another 25°F (15°C) when using heatproof glass dishes for a total reduction of 50°F (30°C).
- Dark metal pans may be used. Note that food may brown faster when using dark metal bake ware.
- The number of racks used is determined by the height of the food to be cooked.
- Baked items, for the most part, cook extremely well in convection. Don't try to convert recipes such as custards, quiches, pumpkin pie, or cheesecakes, which do not benefit from the convection-heating process. Use the regular Bake mode for these foods.
- Multiple rack cooking for oven meals is done on rack positions 1, 2, 3, 4 and 5. All five racks can be used for cookies, biscuits and appetizers.
 - 2 Rack baking: Use positions 1 and 3.
 - 3 rack baking: Use positions 2, 3 and 4 or 1, 3 and 5.
 - When baking four cake layers at the same time, stagger pans so that one pan is not directly above another. For best results, place cakes on front of upper rack and back of lower rack (See graphic at right). Allow 1" - 1 1/2" (2,5 - 3cm).air space around pans.
- Converting your own recipe can be easy. Choose a recipe that will work well in convection.
- Reduce the temperature and cooking time if necessary. It may take some trial and error to achieve a perfect result. Keep track of your technique for the next time you want to prepare the recipe using convection.
- Tips for Solving Baking Problems are found on Page 31.

RACK POSITION



MULTIPLE RACK PAN PLACEMENT



Foods recommended for Convection Bake mode:

Appetizers, Biscuits, Coffee Cakes
 Cookies (2 to 4 racks), Yeast Breads
 Cream Puffs
 Popovers
 Casseroles and One-Dish Entrees
 Oven Meals (rack positions 1, 2, 3)
 Air Leavened Foods (Soufflés, Meringue, Meringue-Topped Desserts, Angel Food Cakes, Chiffon Cakes)

Quick and easy recipe tips

Converting from standard BAKE to CONVECTION BAKE:

- Reduce the temperature by 25°F (15°C).
- Use the same baking time as Bake mode if under 10 to 15 minutes.
- Foods with a baking time of less than 30 minutes should be checked for doneness 5 minutes earlier than in standard bake recipes.
- If food is baked for more than 40 to 45 minutes, bake time should be reduced by 25%.

Convection Bake Chart

Reduce standard recipe temperature by 25 °F (15 °C) for Convection Bake. Temperatures have been reduced in this chart.

Convection Bake Chart - CONVECTION CAVITY				
FOOD ITEM	RACK POSITION	TEMP. °F (°C) (PREHEATED OVEN)		TIME (MIN)
CAKE				
Cupcakes	2	325	(160)	20 - 22
Bundt Cake	1	325	(160)	43 - 50
Angel Food	1	325	(160)	43 - 47
PIE				
2 crust, fresh, 9"	2	350 - 400	(175 - 205)	40 - 52
2 crust, frozen fruit, 9"	2	350	(175)	68 - 78
COOKIES				
Sugar	2	325 - 350	(160 - 175)	9 - 12
Chocolate Chip	2	325 - 350	(160 - 175)	8 - 13
Brownies	2	325	(160)	29 - 36
BREADS				
Yeast bread loaf, 9x5	2	350	(175)	18 - 22
Yeast rolls	2	350 - 375	(175 - 190)	12 - 15
Biscuits	2	375	(190)	8 - 10
Muffins	2	400	(205)	17 - 21
PIZZA				
Frozen	2	375 - 425	(190 - 220)	23 - 26
Fresh	2	450	(232)	15 - 18

Convection Bake Chart - DOUBLE CONVECTION CAVITY				
FOOD ITEM	RACK POSITION	TEMP. °F (°C) (PREHEATED OVEN)		TIME (MIN)
CAKE				
Cupcakes	2	325	(160)	16 - 18
Bundt Cake	1	325	(160)	37 - 43
Angel Food	1	325	(160)	35 - 39
PIE				
2 crust, fresh, 9"	2	350 - 400	(175 - 205)	35 - 45
2 crust, frozen fruit, 9"	2	350	(175)	68 - 78
COOKIES				
Sugar	2	325 - 350	(160 - 175)	6 - 9
Chocolate Chip	2	325 - 350	(160 - 175)	8 - 13
Brownies	2	325	(160)	29 - 36
BREADS				
Yeast bread loaf, 9x5	2	350	(175)	18 - 22
Yeast rolls	2	350 - 375	(175 - 190)	12 - 15
Biscuits	2	375	(190)	6 - 8
Muffins	2	400	(205)	13 - 16
PIZZA				
Frozen	2	375 - 425	(190 - 220)	23 - 26
Fresh	2	450	(232)	15 - 18

This chart is a guide. Follow recipe or package directions and reduce temperatures appropriately.

- Do not preheat for Convection Roast.
- Roast in a low-sided, uncovered pan.
- When roasting whole chickens or turkey, tuck wings behind back and loosely tie legs with kitchen string.
- Use the 2-piece broil pan for roasting uncovered.
- Use the probe or a meat thermometer to determine the internal doneness on "END" temperature (see cooking chart).
- Double-check the internal temperature of meat or poultry by inserting meat thermometer into another position.
- Large birds may also need to be covered with foil (and pan roasted) during a portion of the roasting time to prevent over-browning.

Quick and easy recipe tips

Converting from standard **BAKE** to **CONVECTION ROAST**:

- Temperature does not have to be lowered.
- Roasts, large cuts of meat and poultry generally take 10-20% less cooking time. Check doneness early.
- Casseroles or pot roasts that are baked covered in **CONVECTION ROAST** will cook in about the same amount of time.

- The minimum safe temperature for stuffing in poultry is 165°F (75°C).
- After removing the item from the oven, cover loosely with foil for 10 to 15 minutes before carving if necessary to increase the final foodstuff temperature by 5° to 10°F (3° to 6° C)

Convection Roast Chart - CONVECTION CAVITY

MEATS	WEIGHT (lb)	OVEN TEMP. °F (°C)	RACK POSITION	TIME (min. per lb)	INTERNAL TEMP. °F (°C)
BEEF					
Rib Roast	4 - 6	325 (160)	2	16 - 20 18 - 22	145 (63) medium rare 160 (71) medium
Rib Eye Roast, (boneless)	4 - 6	325 (160)	2	16 - 20 18 - 22	145 (63) medium rare 160 (71) medium
Rump, Eye, Tip, Sirloin (boneless)	3 - 6	325 (160)	2	16 - 20 18 - 22	145 (63) medium rare 160 (71) medium
Tenderloin Roast	2 - 3	400 (205)	2	15 - 20	145 (63) medium rare
PORK					
Loin Roast (boneless or bone-in)	5 - 8	350 (175)	2	16 - 20	160 (71) medium
Shoulder	3 - 6	350 (175)	2	20 - 25	160 (71) medium
POULTRY					
Chicken whole	3 - 4	375 (190)	2	18 - 21	180 (82)
Turkey, not stuffed	12 - 15	325 (160)	1	10 - 14	180 (82)
Turkey, not stuffed	16 - 20	325 (160)	1	9 - 11	180 (82)
Turkey, not stuffed	21 - 25	325 (160)	1	6 - 10	180 (82)
Turkey Breast	3 - 8	325 (160)	1	15 - 20	170 (77)
Cornish Hen	1 - 1½	350 (175)	2	45 - 75 total	180 (82)
LAMB					
Half Leg	3 - 4	325 (160)	2	22 - 27 28 - 33	160 (71) medium 170 (77) well
Whole Leg	6 - 8	325 (160)	1	22 - 27 28 - 33	160 (71) medium 170 (77) well

Convection Roast Chart - DOUBLE CONVECTION CAVITY					
MEATS	WEIGHT (lb)	OVEN TEMP. °F (°C)	RACK POSITION	TIME (min. per lb)	INTERNAL TEMP. °F (°C)
BEEF					
Rib Roast	4 - 6	325 (160)	2	18 - 22 20 - 25	145 (63) medium rare 160 (71) medium
Rib Eye Roast, (boneless)	4 - 6	325 (160)	2	18 - 22 20 - 25	145 (63) medium rare 160 (71) medium
Rump, Eye, Tip, Sirloin (boneless)	3 - 6	325 (160)	2	18 - 22 20 - 25	145 (63) medium rare 160 (71) medium
Tenderloin Roast	2 - 3	425 (220)	2	15 - 20	145 (63) medium rare
PORK					
Loin Roast (boneless or bone-in)	5 - 8	350 (175)	2	18 - 22	160 (71) medium
Shoulder	3 - 6	350 (175)	2	20 - 25	160 (71) medium
POULTRY					
Chicken whole	3 - 4	375 (190)	2	20 - 23	180 (82)
Turkey, not stuffed	12 - 15	325 (160)	1	10 - 14	180 (82)
Turkey, not stuffed	16 - 20	325 (160)	1	9 - 11	180 (82)
Turkey, not stuffed	21 - 25	325 (160)	1	6 - 10	180 (82)
Turkey Breast	3 - 8	325 (160)	1	15 - 20	170 (77)
Comish Hen	1 - 1½	350 (175)	2	45 - 75 total	180 (82)
LAMB					
Half Leg	3 - 4	325 (160)	2	20 - 27 25 - 32	160 (71) medium 170 (77) well
Whole Leg	6 - 8	325 (160)	1	20 - 27 25 - 32	160 (71) medium 170 (77) well

Cooking times are indicative and also depend on the thickness and the starting temperature of the meat before cooking

EN 16 - Convection Broil Tips and Techniques

- Place rack in the required position needed before turning on the oven.
- Use Convection Broil mode with the oven door closed.
- Do not preheat oven.
- Use the 2-piece broil pan.
- Turn meats once halfway through the cooking time (see convection broil chart).

Convection Broil Chart - CONVECTION CAVITY					
FOOD AND THICKNESS	RACK POSITION	BROIL SETTING °F (°C)	INTERNAL TEMP. °F (°C)	TIME SIDE 1 (MIN.)*	TIME SIDE 2 (MIN.)*
BEEF STEAK (1-'' OR MORE)					
Medium rare	4	450 (235)	145 (65)	9 - 12	8 - 10
Medium	4	450 (235)	160 (71)	11 - 13	10 - 12
Well	4	450 (235)	170 (77)	18 - 20	16 - 17
HAMBURGERS (MORE THAN 1'')					
Medium	4	550 (290)	160 (71)	8 - 11	5 - 7
Well	4	550 (290)	170 (77)	11 - 13	8 - 10
Poultry					
Chicken Quarters	4	450 (235)	180 (82)	16 - 18	10 - 13
Chicken Halves	3	450 (235)	180 (82)	25 - 27	15 - 18
Chicken Breasts	4	450 (235)	170 (77)	13 - 15	9 - 13
PORK					
Pork Chops (1'' or more)	4	450 (235)	160 (71)	12 - 14	11 - 13
Sausage - fresh	4	450 (235)	160 (71)	4 - 6	3 - 5

* Broiling and convection broiling times are approximate and may vary slightly.

Cooking times are indicative and also depend on the thickness and the starting temperature of the meat before cooking.

Convection Broil Chart - DOUBLE CONVECTION CAVITY					
FOOD AND THICKNESS	RACK POSITION	BROIL SETTING °F (°C)	INTERNAL TEMP. °F (°C)	TIME SIDE 1 (MIN.)*	TIME SIDE 2 (MIN.)*
BEEF STEAK (1-'' OR MORE)					
Medium rare	4	450 (235)	145 (65)	11 - 13	10 - 12
Medium	4	450 (235)	160 (71)	15 - 17	13 - 15
Well	4	450 (235)	170 (77)	16 - 18	13 - 15
HAMBURGERS (MORE THAN 1'')					
Medium	4	550 (290)	160 (71)	9 - 11	5 - 8
Well	4	550 (290)	170 (77)	11 - 13	8 - 10
Poultry					
Chicken Quarters	4	450 (235)	180 (82)	18 - 20	13 - 15
Chicken Halves	3	450 (235)	180 (82)	25 - 27	15 - 18
Chicken Breasts	4	450 (235)	170 (77)	14 - 16	10 - 14
PORK					
Pork Chops (1'' or more)	4	450 (235)	160 (71)	13 - 15	12 - 14
Sausage - fresh	4	450 (235)	160 (71)	4 - 6	3 - 5

* Broiling and convection broiling times are approximate and may vary slightly.

Cooking times are indicative and also depend on the thickness and the starting temperature of the meat before cooking.

- Dehydrating can be done using the Dehydrate mode. A lower temperature is used and the circulating heated air slowly removes the moisture for food preservation.
- The Dehydrate mode temperature is pre-programmed at 140°F (60°C).
- The Dehydrate mode temperatures available are 120°F (50°C) to 160°F (70°C).
- Multiple racks can be used simultaneously.
- Some foods require as much as 14-15 hours of time to fully dehydrate.
- Consult a food preservation book for specific times and the handling of various foods.
- This mode is suitable for a variety of fruits, vegetables, herbs and meat strips.
- Drying screens can be purchased at specialty kitchen shops.
- By using paper towels, some food moisture can be absorbed before dehydrating begins (such as with sliced tomatoes or sliced peaches).

Dehydrate Chart			
FOOD	PREPARATION	APPROXIMATE DRYING TIME* (hrs)	TEST FOR DONENESS
FRUIT			
Apples	Dipped in ¼ cup lemon juice and 2 cups water, ¼ slices	11 - 15	Slightly pliable
Bananas	Dipped in ¼ cup lemon juice and 2 cups water, ¼ slices	11 - 15	Slightly pliable
Cherries	Wash and towel dry. For fresh cherries, remove pits	10 - 15	Pliable, leathery, chewy
Oranges Peels and slices	¼ slices of orange; orange part of skin thinly peeled from oranges	Peels: 2 - 4	Orange peel: dry and brittle
		Slices: 12 - 16	Orange slices: skins are dry and brittle, fruit is slightly moist
Pineapple rings	Towel dried	Canned: 9 - 13	Soft and pliable
		Fresh: 8 - 12	
Strawberries	Wash and towel dry. Sliced ½" thick, skin (outside) down on rack	12 - 17	Dry, brittle
VEGETABLE			
Peppers	Wash and towel dry. Remove membrane of pepper, coarsely chopped about 1" pieces	16 - 20	Leathery with no moisture inside
Mushrooms	Wash and towel dry. Cut of stem end. Cut into 1/8" slices	7 - 12	Tough and leathery, dry
Tomatoes	Wash and towel dry. Cut this slices, 1/8" thick, dry well	16 - 23	Dry, brick red color
HERBS			
Oregano, sage parsley and thyme, and fennel	Rinse and dry with paper towel	Dry at 120°F (60°C) 3 - 5	Crisp and brittle
Basil	Use basil leaves 3 to 4 inches from top. Spray with water, shake off moisture and pat dry	Dry at 120°F (60°C) 3 - 5	Crisp and brittle

EN 18 - Broil Tips and Techniques

- Place rack in the required position needed before turning on the oven.
- Use Broil mode with the oven door closed.
- Preheat oven for 5 minutes before use.
- Use the 2-piece broil pan.
- Turn meats once halfway through the cooking time (see convection broil chart).

Broil Chart					
FOOD AND THICKNESS	RACK POSITION	BROIL SETTING	INTERNAL TEMP. °F (°C)	TIME SIDE 1 (MIN.)*	TIME SIDE 2 (MIN.)*
BEEF					
Steak (3/4"-1")					
Medium rare	5	5	145 (63)	5 - 7	4 - 4
Medium	5	5	160 (71)	6 - 8	5 - 7
Well	5	5	170 (77)	8 - 10	7 - 9
HAMBURGERS (3/4"-1")					
Medium	4	5	160 (71)	8 - 11	6 - 9
Well	4	5	170 (77)	10 - 3	8 - 10
Poultry					
Breast (bone-in)	4	4	170 (77)	0 - 2	8 - 10
Thigh (very well done)	4	3	180 (82)	28 - 30	13 - 15
PORK					
Pork Chops (1")	5	5	160 (71)	7 - 9	5 - 7
Sausage - fresh	5	5	160 (71)	5 - 7	3 - 5
Ham Slice (")	5	5	160 (71)	4 - 6	3 - 5
SEAFOOD					
Fish Filets, 1"					
Buttered	4	4	Cook until opaque & flakes easily with fork	10 - 14	Do not turn
LAMB					
Chops (1")					
Medium Rare	5	5	145 (63)	5 - 7	4 - 6
Medium	5	5	160 (71)	6 - 8	4 - 6
Well	5	5	170 (77)	7 - 9	5 - 7
BREAD					
Garlic Bread, 1" slices	4	5		2 - 2.30	
Garlic Bread, 1" slices	3	5		4 - 4	

* Broiling and convection broiling times are approximate and may vary slightly
Cooking times are indicative and also depend on the thickness and the starting temperature of the meat before cooking.

Food Service Temperature Guidelines from FSIS (USDA food Safety & Inspection Service)			
140°F (60°C)	Ham, precooked (to Reheat)	165°F (74°C)	Stuffing (cooked alone or in bird)
145°F (63°C)	Fresh beef, Veal, Lamb (medium rare)		Leftovers & Casseroles
160°F (71°C)	Ground Meat & Meat mixtures (Beef, Pork, Veal Lamb)	170°F (77°C)	Fresh beef, Veal, Lamb (well done)
	Fresh beef, Veal, Lamb (medium)		Poultry breast
	Fresh Pork (medium)		Fresh Pork (well done)
	Fresh Ham (raw)	180°F (82°C)	Chicken and Turkey (Whole)
Egg Dishes	Poultry (thighs and wings)		
165°F (74°C)	Ground Meat & Meat mixtures (Turkey, Chicken)		Duck and Goose

Note: Eggs (alone, not used in a recipe) – cook until yolk & white are firm

The Special Features function can be used to select the following special oven features:

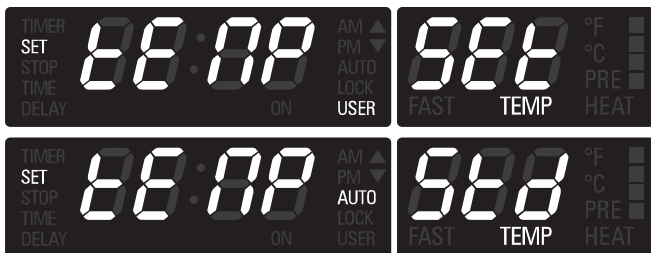
1. **SAB** → **SABBATH MODE**
(for religious faiths with “no work” requirements on the Sabbath).
2. **OFS** → **OVEN OFFSET**
(used to calibrate the oven temperature).
3. **DEG** → **°UNIT**
(used to select Fahrenheit or Celsius).
4. **HR** → **CLOCK FORMAT**
(used to set the time of day format as 12:00 AM/PM or 24:00).
5. **SET** → **PRESET TEMPERATURE**
(it's possible to save the standard preset temperature per every cooking mode or to keep in memory the last used temperature).

To select special features, follow the steps below:

- Touch and hold **MENU** and **TIME** keys for at least 3 seconds. Clock time disappears and the following display is shown:

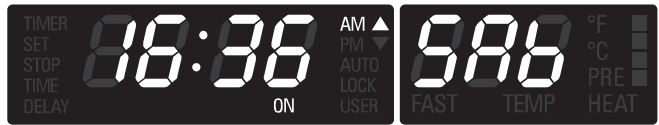


- Touch the **+** or the **-** key to scroll all available options described above, until the desired one is found.
- Touch **MENU** key to edit the selected options.
- Change the value by means of **+** or **-** keys.



- In a double oven it's possible to set a different offset in each cavity. Select the cavity with UPPER/LOWER key.
- Touch the **MENU** key to confirm the option and go back to the selection menu or hold the key for 3 second to quit the User Option Menu and go back to the clock original screen.

- Enter the user option menu holding **MENU** and **TIME** keys for 3 seconds. Scroll the option list (dEG, OFS, Hr, Sab), shown by the red temperature module, by pressing **+**/**-**, until Sabbath item is found.



- Touch **MENU** to enter edit mode: the selected item switches to the green digits on the left and its status in the red digits field starts blinking.
- Touch again **+**/**-** keys to set Sabbath mode ON or OFF (Default=OFF). Touch **MENU** to confirm and come back to the option list. Hold **MENU** key for 3 seconds to quit the selection menu and go back to normal operations.
- Once Sabbath mode is set, only BAKE and OFF positions are available in the cooking mode selector. Move the selector to BAKE then set the temperature to the desired value within 5 minutes.
- After 5 minutes, the temperature cannot be shown any more and the display appears as below: Sabbath mode is active. In a double oven, the upper/lower cavity indications are still available. Both triangle are on if both cavities are working.

- Oven lights status cannot be changed during Sabbath time.
- Oven temperature can only be lowered but no information can be displayed.
- The cooling fan must run in Sabbath mode.
- Preheat lights are inhibited during Sabbath mode.
- The buzzer must always be silent, regardless of any fault, end of activity, etc.
- The meat probe can never be used in Sabbath mode.
- Maximum allowed cooking time must be 72 hours.
- The user is allowed to stop the oven manually, also during Sabbath, moving the cooking mode selector to OFF position.
- Heating elements cycling must not depend on the door switch status. Opening or closing the door must not switch the relays directly.

Self-Cleaning the Oven

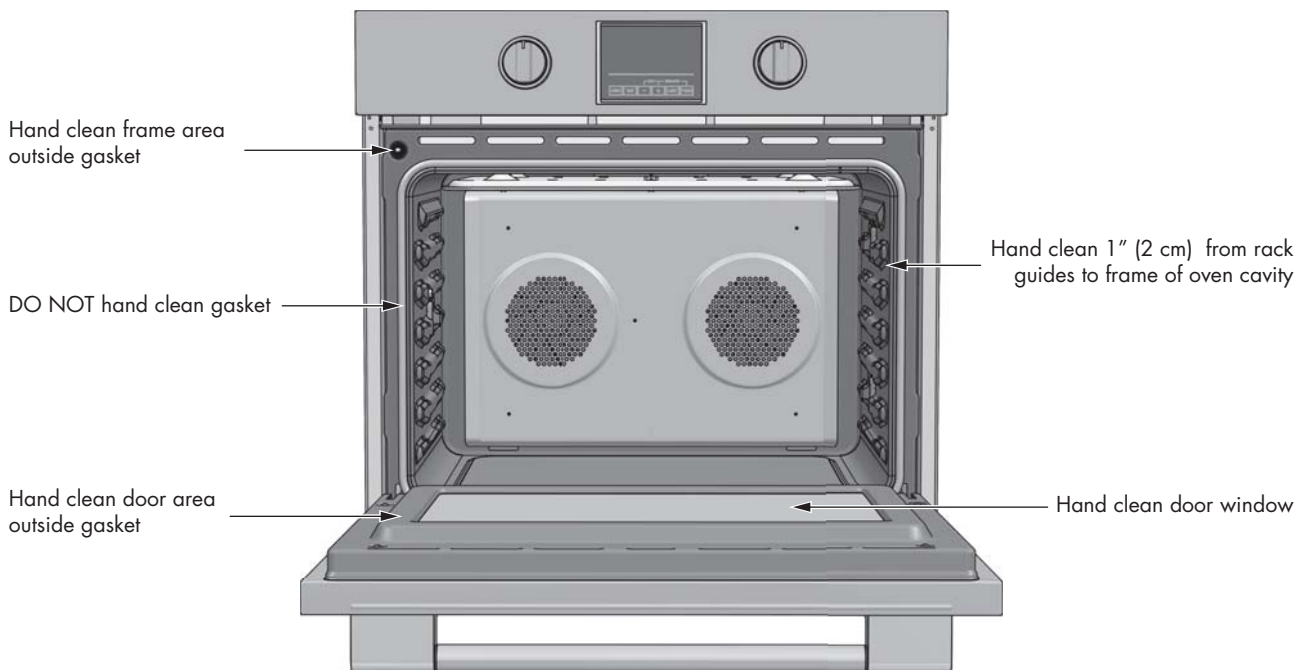
This oven features a pyrolytic self-cleaning function that eliminates the difficult and time consuming manual scrubbing of the oven interior. During self-cleaning, the oven uses a very high temperature (approx. 885°F/470°C) to burn away food soil and grease.

- Only one oven at a time can be set to Self-Clean.
- It is common to see smoke and/or an occasional flame-up during the Self-Clean cycle, depending on the content and amount of soil remaining in the oven. If a flame persists, turn off the oven and allow it to cool before opening the door to wipe up the excessive food soil.
- The door latch is automatically activated after selecting the Self-Clean cycle. The "AUTO LOCK" writings will appear in the display. This ensures that the door cannot be opened while the oven interior is at clean temperatures.
- The oven light does not operate during this mode.
- During Self-Clean, the kitchen should be well ventilated to help eliminate odors associated with Self-Clean. Odors will lessen with use.
- Three hours is the preset length of cleaning.
- The mode automatically stops at the end of the clean hours.
- When the oven heat drops to a safe temperature, the automatic door lock will release and the door can be opened.

Preparing the Oven for Self-Clean

1. Remove all utensils and bake ware.
2. Remove non-porcelain oven racks. If chromed racks are left in the oven during the self-clean cycle, they will permanently lose the shiny finish and change to a dull dark finish. See Oven Cleaning Chart for proper care, Pages 27 to 28.
3. Wipe up any soft soil spills and grease with paper towels. Excess grease will cause flames and smoke inside the oven during self-cleaning.
4. Review illustration below. Some areas of the oven must be cleaned by hand before the cycle begins. They do not get hot enough during the cleaning cycle for soil to burn away. Use a soapy sponge or plastic scrubber or a detergent-filled S.O.S.® pad. Hand-clean the oven door edge, oven front frame and up to 1-½" (2-3 cm) inside the frame with detergent and hot water. Do not rub the gasket on oven. Clean by hand the oven door window. Rinse all areas thoroughly then dry.
5. Be sure oven interior lights are turned off and the light bulbs and lens covers are in place. See Pages 30.

CLEANING THE OVEN



To Set the Self-Clean Mode

1. Touch [UPPER/LOWER] key to select the cavity to be cleaned, if the oven is a double.
2. Rotate both knobs into the clean position.
3. CLEAN & TIME appear.
4. The clean time is displayed automatically, its standard value is 3 hours.
5. At the end of the programmed cleaning time, the oven will automatically turn off.
6. To stop the cleaning mode at any moment, move one of the two knobs from the cleaning position.

Do not attempt to open the door while the door is locked. The "AUTO LOCK" writings will flash until the motor stops. When they are displayed, the door cannot be opened. Check that the door has been locked and will not open before starting the Self-Clean mode.

If door does not lock, rotate the cooking mode knob into the OFF position and do not start self-clean; phone for service. If the door is in the open position when this mode is selected, the "AUTO LOCK" writings will flash until the door is closed. The latch doesn't move.

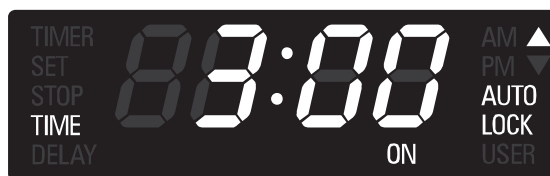
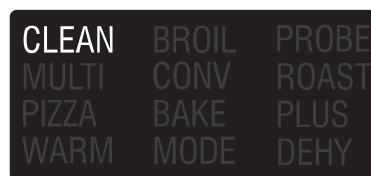
To Change the Cleaning Time

1. To change the setting from 3 hours, select either 2 hours for light soil or 4 hours for heavy soil immediately before starting.
2. To change the hours, touch the **TIME** key.
3. The hours will flash.
4. Use **+** or **-** keys to change the value.
5. To change the minutes, touch the **TIME** key again.
6. The minutes will flash.
7. Use **+** or **-** keys to change the value. Hold the key to change by 10 minutes steps.
8. Touch **TIME** or wait a few seconds to confirm the new value.

To Delay the Start of Cleaning

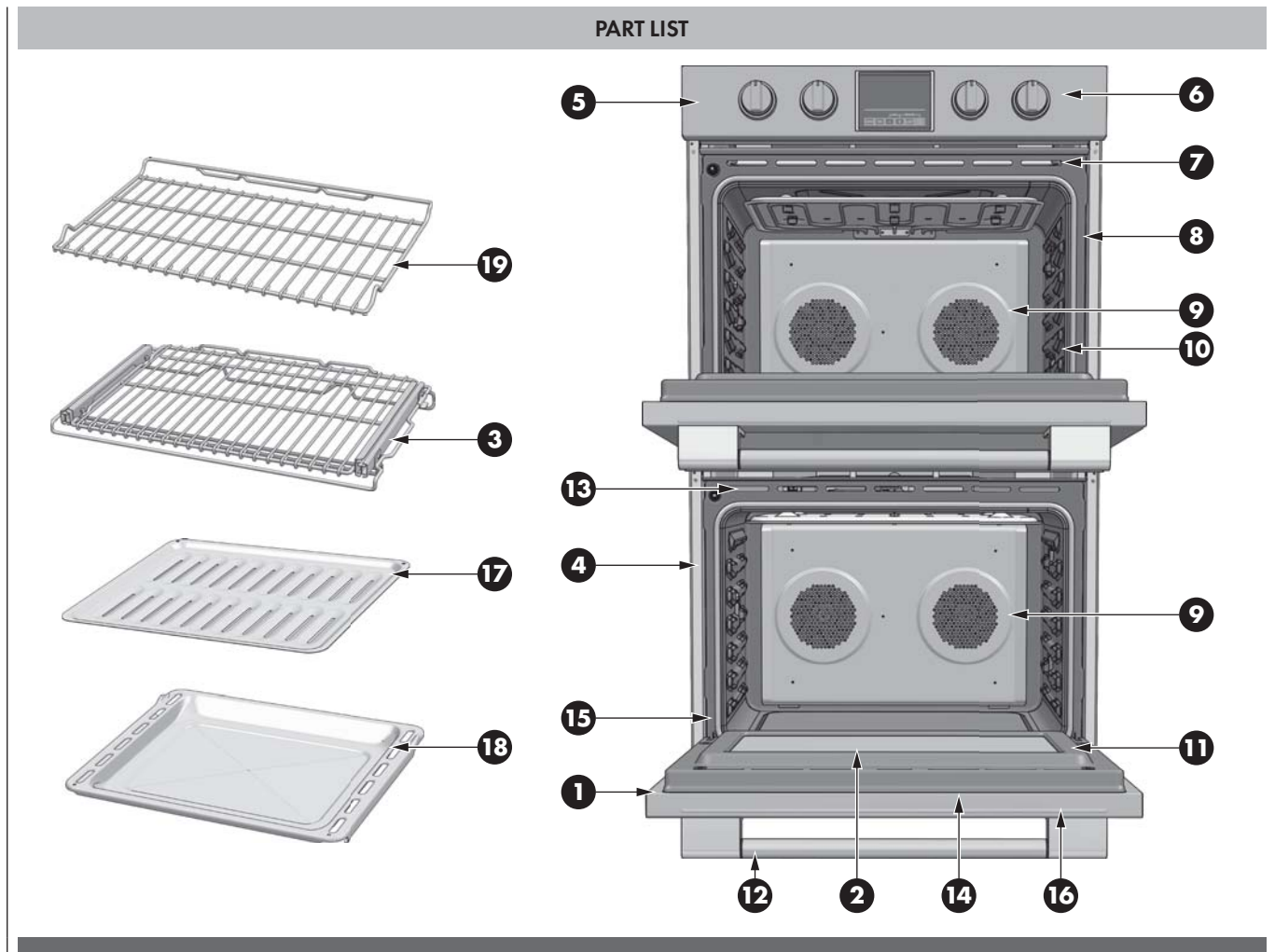
1. Follow steps 1 through 7 above.
2. Touch the **TIME** key and verify that "STOP TIME" appears on the display. The hours will begin flashing.
3. Use **+** or **-** keys to change the stop time value.
4. To change the minutes, touch the **TIME** key, the minutes will flash.
5. Use **+** or **-** keys to change the value. Hold the key to change by 10 minutes steps.
6. Touch **TIME** or wait a few seconds to confirm the new value.
7. The latch starts moving to lock the oven door, the display shows "DELAY"..
8. When the delay time expires, self-cleaning will start.
9. At the end of the programmed cleaning time, the oven will automatically turn off.
10. "End" will appear on the temperature display, "CLEAN" on the mode display and "TIME" on the clock display will start flashing until the **TIME** key is touched or the knob is moved to the OFF position.

In order to check the cleaning or the stop time during a delayed clean, simply touch the **TIME** key until "TIME" or "STOP TIME" writings are displayed.



How to Use the Oven Cleaning Chart

1. Locate the number of the part to be cleaned in the illustration on this page.
2. Find the part name in the chart.
 - Use the cleaning method in the left column if the oven is black or white.
 - Use the cleaning method in the right column if the oven is stainless steel.
3. Match the letter with the cleaning method on following page.



Cleaning Chart							
Part		Cleaning Method		Part		Cleaning Method	
		Black & White Oven	Stainless Steel Oven			Black & White Oven	Stainless Steel Oven
1	Door Frame	E	E	11	Interior Oven Door	E	E
2	Interior Door Windows	F	F	12	Door Handle	D	D
3	Removable Oven Racks	A or E	A or E	13	Door Cooling Vent	E	E
4	Slide Trim	D	D	14	Door Front	C&D	C&G
5	Control Panel Trim	C	G	15	Oven Trim	D	D
6	Control Panel	C	C	16	End Caps	D	D
7	Oven Cooling Vents	D	D	17	Broil Pan Rack	E	E
8	Oven Front Frame	E	E	18	Broil pan Bottom	E	E
9	Oven Cavity	E	E	19	Extendable rack	A	A
10	Mesh Gasket	B	B				

The entire oven can be safely cleaned with a soapy sponge, rinsed and dried. If stubborn soil remains, follow the recommended cleaning methods below.

- Always use the mildest cleaner that will do the job.
- Rub metal finishes in the direction of the grain.
- Use clean, soft cloths, sponges or paper towels.
- Rinse thoroughly with a minimum of water so it does not drip into door slots.
- Dry to avoid water marks.

The cleaners listed below indicate types of products to use and are not being endorsed. Use all products according to package directions.

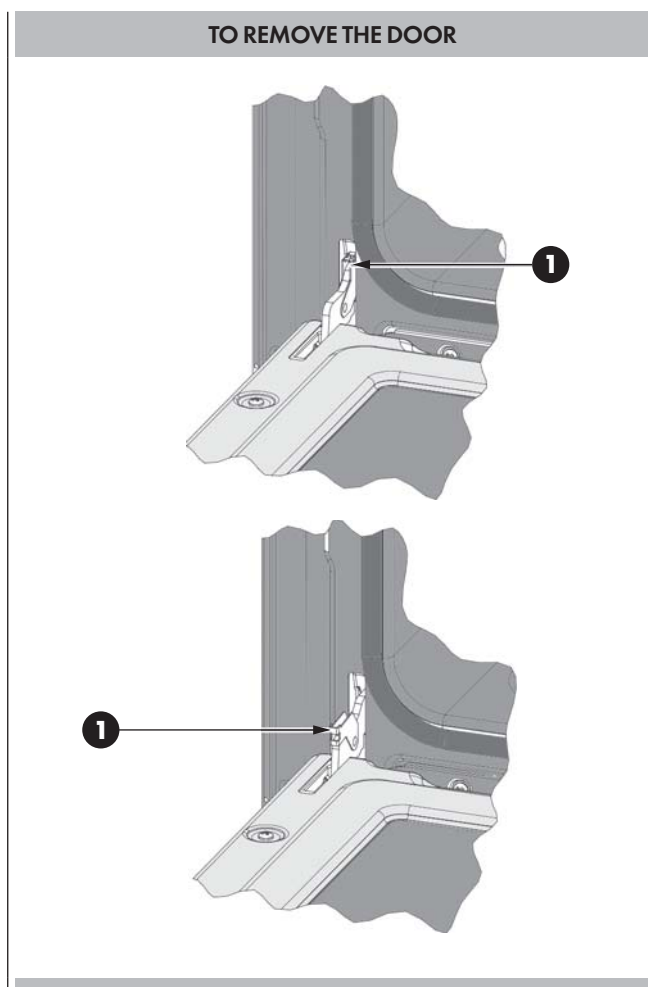
Part		Cleaning Method
A	Chrome Plated	Wash with hot sudsy water. Rinse thoroughly and dry. Or, gently rub with Soft Scrub®, Bon-Ami®, Comet®, Ajax®, Brillo® or S.O.S.® pads as directed. Easy Off® or Dow® Oven Cleaners (cold oven formula) can be used, but may cause darkening and discoloration. Racks may be cleaned in the oven during the self-clean mode. However, chromed racks will lose their shiny finish and permanently change to a metallic gray.
B	Fiberglass Knit	DO NOT HAND CLEAN GASKET.
C	Glass	Spray Windex® or Glass Plus® onto a cloth first then wipe to clean. Use Fantastik® or Formula 409® to remove grease spatters.
D	Painted	Clean with hot sudsy water or apply Fantastik® or Formula 409® first to a clean sponge or paper towel and wipe clean. Avoid using powdered cleansers and steel wool pads.
E	Porcelain	Immediately wipe up acidic spills like fruit juice, milk and tomatoes with a dry towel. Do not use a moistened sponge/towel on hot porcelain. When cool, clean with hot sudsy water or apply Bon-Ami® or Soft Scrub® to a damp sponge. Rinse and dry. For stubborn stains, gently use Brillo® or S.O.S.® pads. It is normal for porcelain to craze (fine lines) with age due to exposure from heat and food soil.
F	Reflective Glass	Clean with hot sudsy water and sponge or plastic scrubber. Rub stubborn stains with vinegar, Windex®, ammonia or Bon-Ami®. DO NOT USE HARSH ABRASIVES.
G	Stainless	Always wipe or rub with grain. Clean with a soapy sponge then rinse and dry. Or, wipe with Fantastik® or Formula 409® sprayed onto a paper towel. Protect and polish with Stainless Steel Magic® and a soft cloth. Remove water spots with a cloth dampened with white vinegar. Use Zud®, Cameo®, Bar Keeper's Friend® or RevereWare Stainless Steel Cleaner®, to remove heat discoloration.
H	Probe (if present)	Clean probe by hand with detergent and hot water. Then rinse and dry. Do not so or clean in dishwasher.

WARNING

- Make sure oven is cool and power to the oven has been turned off before removing the door. Failure to do so could result in electrical shock or burns.
- The oven door is substantial. Use both hands to remove the oven door. The door front is glass of which there are 4 panes.
- Handle carefully to avoid breakage.
- Grasp only the sides of the oven door. Do not grasp the handle as it may swing in your hand and cause damage or injury.
- Failure to grasp the oven door firmly and properly could result in personal injury or product damage.

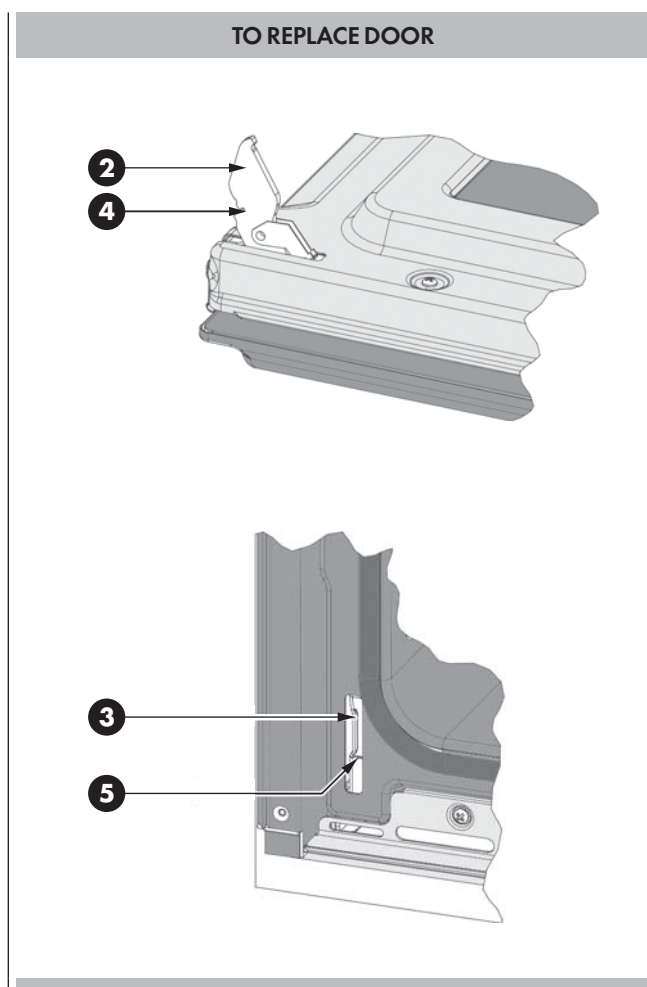
To Remove Door

1. Open the door completely.
2. Flip the hinge security clip on each hinge towards you (1).
3. Hold the door firmly on both sides using both hands and close the door until you feel it stop at the security clip.
4. Hold firmly; the door is heavy. Lift and pull towards you - you may have to play with it a little to feel the hinges disengage from the oven frame.
5. Place the door in a convenient location.



To Replace Door

1. Insert the upper arms (2) of both hinges into the slots (3). The recesses (4) must hook on the lips (5).
2. Move the hinge security clips (1) back into position. If the security clips cannot be easily moved back to their normal operating position, ie. the clips hit the frame, then the door is not correctly seated. Bring the security clips back out and try to reset the door - you will feel it clip in / drop slightly when the hinges engage the frame correctly.
3. Close and open the door slowly to assure that it is correctly and securely in place.



- Each oven is equipped with three halogen lights (per cavity) located in the lateral walls of the oven.
- The lights are switched on when the door is opened or when the oven is in a cooking cycle
- The oven lights are not illuminated during SELF- CLEAN.
- Each light assembly consists of a removable lens, a light bulb as well as a light socket housing that is fixed in place. See figure on this page.
- Light bulb replacement is considered to be a routine maintenance item.

To Replace a Light Bulb

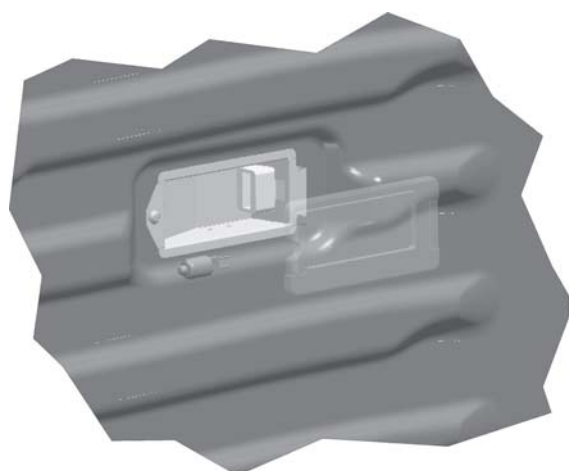
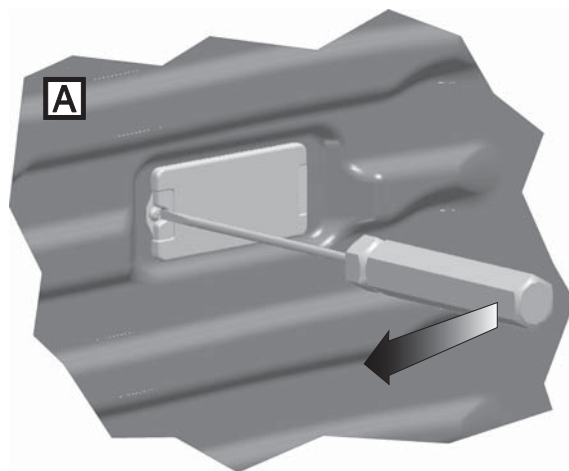
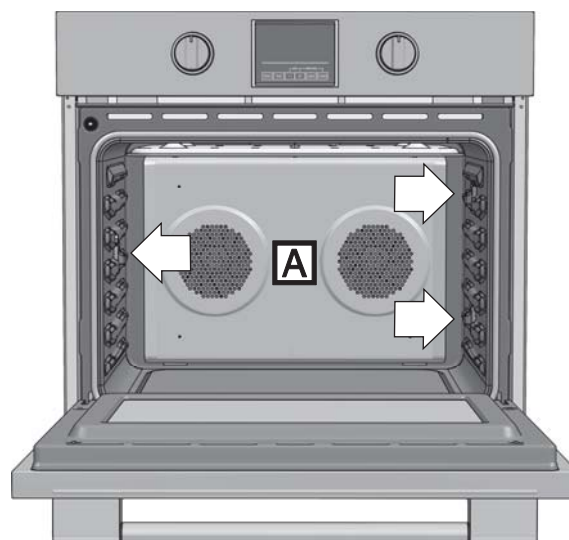
1. Read WARNING on this page.
2. Turn off power at the main power supply (fuse or breaker box).
3. In ovens with lateral rack supports, remove them by unscrewing the four screws.
4. Remove the lens between screw and glass using a screw driver.
5. Remove the light bulb from its socket by pulling it.
6. Replace the bulb with a new one. Avoid touching the bulb with fingers, as oils from hands can damage the bulb when it becomes hot.
7. The bulb is halogen: use one with the same type checking Voltage and Wattage.
8. Place the lens back on.
9. Replace the rack supports if provided is provided with the oven model.

Turn power back on at the main power supply (fuse or breaker box).

WARNING

- Make sure the oven and lights are cool and power to the oven has been turned off before replacing the light bulb(s). Failure to do so could result in electrical shock or burns.
- The lenses must be in place when using the oven.
- The lenses serve to protect the light bulb from breaking.
- The lenses are made of glass. Handle carefully to avoid breakage. Broken glass could cause an injury.

OVEN LIGHT



With either Bake or Convection Bake, poor results can occur for many reasons other than a malfunction of the oven. Check the chart below for causes of the most common problems. Since the size, shape and material of baking utensils directly affect the baking results, the best solution may be to replace old baking utensils that have darkened and warped with age and use. Check the Baking Charts from Page 17 to 22 for the correct rack position and baking time

Baking Problem	Cause
Food browns unevenly	<ul style="list-style-type: none"> - Oven not preheated - Aluminum foil on oven rack or oven bottom - Baking utensil too large for recipe - Pans touching each other or oven walls
Food too brown on bottom	<ul style="list-style-type: none"> - Oven not preheated - Using glass, dull or darkened metal pans - Incorrect rack position - Pans touching each other or oven walls
Food is dry or has shrunk excessively	<ul style="list-style-type: none"> - Oven temperature too high - Baking time too long - Oven door opened frequently - Pan size too large
Food is baking or roasting too slowly	<ul style="list-style-type: none"> - Oven temperature too low - Oven not preheated - Oven door opened frequently - Tightly sealed with aluminum foil - Pan size too small
Pie crusts do not brown on bottom or have soggy crust	<ul style="list-style-type: none"> - Baking time not long enough - Using shiny steel pans - Incorrect rack position - Oven temperature is too low
Cakes pale, flat and may not be done inside	<ul style="list-style-type: none"> - Oven temperature too low - Incorrect baking time - Cake tested too soon - Oven door opened too often - Pan size may be too large
Cakes high in middle with crack on top	<ul style="list-style-type: none"> - Baking temperature too high - Baking time too long - Pans touching each other or oven walls - Incorrect rack position - Pan size too small
Pie crust edges too brown	<ul style="list-style-type: none"> - Oven temperature too high - Edges of crust too thin

Before calling for service, check the following to avoid unnecessary service charges.

Oven Problem	Problem Solving Steps
F03 or F04 Error appears in the display window.	A problem with latch mechanism occurred. Remove power and turn it back on again after a few seconds. The oven should run a latch auto-test. If condition persists, note the code number and call an authorized service.
Other F__ Error appears in the display window.	Remove power and turn it back on again after a few seconds. If condition persists, note the code number and call an authorized service.
The oven display stays OFF	Turn off power at the main power supply (fuse or breaker box). Turn breaker back on. If condition persists, call an authorized service center.
Cooling fan continues to run after oven is turned off	The fan turns off automatically when the electronic components have cooled sufficiently.
Oven door is locked and will not release, even after cooling	Turn the oven off at the circuit breaker and wait a few seconds. Turn breaker back on. The oven should reset itself and will be operable.
Oven is not heating	Check the circuit breaker or fuse box to your house. Make sure there is proper electrical power to the oven. Make sure the oven temperature has been selected.
Oven is not cooking evenly	Check oven calibration. Adjust calibration if necessary (see To Set Temperature, Page 12). Refer to cook charts for recommended rack position. Always reduce recipe temperature by 25°F (15°C) when baking with Convection Bake mode.
Oven temperature is too hot or too cold	The oven thermostat needs adjustment. See Calibrating Oven Temperature, Page 12.
Oven light is not working properly	Replace or reinsert the light bulb if loose or defective. See Page 30. Touching the bulb with fingers may cause the bulb to burn out.
Oven light stays on	Check for obstruction in oven door. Check to see if hinge is bent or door switch broken.
Cannot remove lens cover on light	There may be a soil build-up around the lens cover. Wipe lens cover area with a clean dry towel prior to attempting to remove the lens cover.
Oven will not Self-Clean properly	Allow the oven to cool before running Self-Clean. Always wipe out loose soils or heavy spill-over before running Self-Clean. If oven is badly soiled, set oven for a four-hour Self-Clean. See Preparing the Oven to Self-Clean, Page 25.
Clock and timer are not working properly	Make sure there is proper electrical power to the oven. See the Clock and Timer sections on Page 11.
Excessive moisture	When using Bake mode, preheat the oven first. Convection Bake and Convection Roast will eliminate any moisture in oven (this is one of the advantages of convection).
Porcelain chips	When oven racks are removed and replaced, always tilt racks upward and do not force them to avoid chipping the porcelain..
Is the control knob set to the proper heat level?	See "Setting the Control Knobs" section.

Service Data Record

For authorized service or parts information see paragraph "Fulgor Warranty ..".

The location of the serial tag on the product can be seen when the oven door is opened. It is located on the left side, centered vertically just inside the oven cavity. See Page 7. Now is a good time to write this information in the space below provided. Keep your invoice for warranty validation.

Service Data Record
Model Number _____
Serial Number _____
Date of Installation or Occupancy _____

TABLES DES MATIERES	PAGE
1 - Appareil domestique et four Précaution de sécurité	2
Securite pour le four	3
Securite pour l'auto-nettoyage du four	3
2 - Appareil domestique et four Instructions de sûreté	3
3 - Cuisiner avec un four à convection	4
4 - Caractéristiques de Votre Four	5
5 - Les tableaux de commande	6
Touches de commande	6
Affichage	6
Boutons	6
6 - Modes de four	7
7 - Information générale du four	8
8 - Conseils généraux sur le four	9
Grilles de four	9
Grille rallonge	10
9 - Réglage de la pendule et la minuterie L'heure	11
Pour régler l'horloge	11
Pour régler la minuterie	11
10 - Sélection du mode de four	12
Pour régler un mode de cuisson et température	12
En utilisant la clé pour sélectionner les fonctions de basse température	12
Utilisation des lumieres du four	12
11 - Fonction de mode four minuté	13
Pour régler le mode programme	13
Pour retarder le démarrage du mode minuterie	13
Lorsqu'un mode temporisé est en cours	13
Comment vérifier une valeurs temps	13
12 - Réglage des options de la sonde pour viande	14
13 - Conseils et technique de cuisson	15
Guides générales	15

TABLES DES MATIERES	PAGE
14 - Conseils et techniques de convection européenne	16
Tableau de convection européenne	17
15 - Conseils et techniques de convection cuisson	18
16 - Conseils et techniques pour le convection grill	20
17 - Conseils et techniques de déshydratation	21
18 - Conseils et techniques de grill	22
19 - Options spéciales	23
20 - Instruction du mode sabbat	24
21 - Entretien du four et nettoyage	25
Auto-nettoyage du four	25
Preparation du four pour l'auto-nettoyage	25
22 - Réglage du mode auto-nettoyage	26
Pour régler le mode auto-nettoyage	26
Pour changer le temps de nettoyage	26
Pour retarder le debut du nettoyage	26
23 - Entretien général du four	27
Comment utiliser le tableau de nettoyage du four	27
Tabelau de nettoyage du four	27
24 - Finitions du four / méthodes de nettoyage	28
25 - Entretien à faire soi-même Retrait de la porte du four	29
Pour enlever la porte	29
Pour remettre la porte	29
26 - Remplacement d'une ampoule du four	30
Pour remplacer une ampoule	30
27 - Solution pour des problèmes de cuisson	31
28 - Résolution des problèmes de fonctionnement	32



INSTRUCTION IMPORTANT

Appareil domestique et appareil
Veuillez lire les instructions avant toute utilisation.



AVERTISSEMENT

A condition de bien l'entretenir, votre nouveau four a été conçu pour être un appareil fiable et sûr. Lisez toutes les instructions soigneusement avant d'utiliser ce four. Ces précautions réduiront le risque de brûlures, d'électrocutions, d'incendie, et de blessures à des personnes. Lorsque vous utilisez des appareils électroménagers de cuisine, il faut suivre les mesures de sécurité basiques, y compris les suivantes :

Cet appareil doit être correctement installé et branché par un technicien qualifié. Branchez-le uniquement à une prise de courant de terre correcte. Reportez-vous à "Instructions de mise à la terre" dans les Instructions d'installation.

- Cet appareil ne doit être mis en service uniquement par un technicien apte et agréé. Contactez le centre de service agréé le plus proche de chez vous pour une inspection, une réparation ou un réglage.
- Ne réparez pas ou ne remplacez pas des pièces du four sauf si on vous le recommande spécifiquement. Faites appel au service agréé.
- Ne faites pas fonctionner cet appareil s'il ne fonctionne pas correctement ou s'il a été abîmé jusqu'à l'inspection du service après-vente agréé.
- Installez ou placez cet appareil uniquement et conformément aux Instructions d'installation.
- Utilisez ce four uniquement dans le but pour lequel il a été conçu par le fabricant. Pour toute question, contactez le fabricant.
- Ne couvrez pas ou ne bloquez pas les ouvertures de cet appareil.
- N'utilisez l'appareil que selon l'usage décrit dans ce manuel. N'utilisez pas de produits chimiques corrosifs, des vapeurs ou des produits non - alimentaires dans cet appareil. Ce type de four est spécifiquement conçu pour chauffer ou cuire. Il n'est pas conçu pour une utilisation industrielle ou en laboratoire. L'utilisation de produits chimiques corrosifs pour le chauffage et le nettoyage endommagera cet appareil.
- Si vos vêtements ou vos cheveux prennent feu, **LAISSEZ-VOUS TOMBER ET ROULEZ IMMEDIATEMENT** pour éteindre les flammes.
- Ne laissez pas les enfants utiliser cet appareil électroménager sans la surveillance stricte d'un adulte. Les enfants et les animaux domestiques ne devraient pas être laissés seuls ou sans surveillance près d'appareil électroménager lorsqu'il est utilisé. Ne laissez jamais un enfant s'asseoir ou se mettre debout sur toute pièce du four.



ATTENTION

- Ne mettez pas des objets d'intérêt pour les enfants sur le four. Si un enfant devait grimper sur l'appareil électroménager pour atteindre ces objets, il pourrait se blesser gravement.

Pour réduire les risques de feu dans le four :

1. Ne mettez pas des matériaux inflammables près du four ou dedans.
2. N'utilisez pas d'eau sur un feu de friture. Etouffez le feu en utilisant un extincteur à poudre ou à mousse.
3. Il est hautement recommandé que l'extincteur soit prêt à l'utilisation et bien visible non loin de tout appareil de cuisson.
4. Ne surcuisez pas les aliments. Surveillez le four si des produits en papier, en plastique ou des matières combustibles sont placés dedans.
5. N'utilisez pas l'intérieur du four pour ranger des objets. Ne laissez pas des produits en papier, des ustensiles de cuisine ou de la nourriture dans le four lorsqu'il n'est pas utilisé.
6. Si des matériaux à l'intérieur du four s'enflamment, laissez la porte du four. Eteignez le four et débranchez le circuit aux boîtiers disjoncteurs.
7. N'obstruez pas les ouvertures de ventilation.
8. Assurez-vous que le ventilateur fonctionne lorsque le four est en marche. Si le ventilateur ne fonctionne pas, n'utilisez pas le four. Appelez le service après-vente agréé.
9. N'utilisez jamais le four pour chauffer ou réchauffer une pièce. Cela peut endommager les pièces du four.
10. Pour votre sécurité, portez des vêtements appropriés. Des vêtements amples ou de grandes manches ne doivent jamais être portés en utilisant ce four.

Securite pour le four

- Attachez les cheveux longs.
- Ne touchez pas les éléments chauffants ou l'intérieur des surfaces du four.
- Les éléments chauffants peuvent être chauds même lorsqu'ils sont sombres. Les surfaces intérieures d'un four deviennent assez chaudes pour provoquer des brûlures.
- Pendant et après l'utilisation, ne touchez pas ou ne laissez pas des vêtements ou d'autres matières inflammables en contact avec les éléments chauffants ou les surfaces intérieures du four jusqu'à ce qu'ils aient eu le temps de refroidir suffisamment. D'autres surfaces de l'appareil pourraient devenir suffisamment chaudes pour provoquer des brûlures - ces surfaces sont, par exemple, les ouvertures de ventilation du four et les surfaces proches de ces ouvertures, les portes du four et les fenêtres des portes du four.
- L'habillage sur le dessus et sur les côtés de la porte du four peut être assez chaud pour provoquer des brûlures.
- Ouvrez la porte avec précaution. Ouvrez la porte doucement pour laisser échapper l'air chaud ou la vapeur avant d'enlever ou de remplacer la nourriture.
- Ne chauffez pas des emballages alimentaires non ouverts. L'accumulation de pression pourrait faire exploser l'emballage et donc blesser.
- Placez toujours les grilles du four dans la position voulue lorsque le four est froid. Si une grille doit être déplacée lorsque le four est chaud, ne laissez pas les moufles en contact avec les éléments chauffants.
- Utilisez toujours des moufles sèches. Des moufles humides sur des surfaces chaudes peuvent brûler à cause de la vapeur. La moufle ne doit pas toucher des parties brûlantes. N'utilisez pas de torchons ou d'autres serviettes volumineuses.

Securite pour l'auto-nettoyage du four

- Assurez-vous que la porte est verrouillée et ne s'ouvrira pas lorsque les deux sélecteurs sont sur la position CLEAN et que l'icône de fermeture de porte apparaît. Si la porte ne ferme pas, tournez le sélecteur de mode de cuisson sur OFF et ne commencez pas d'auto - nettoyage. Téléphonez pour un Service.
- Ne nettoyez pas le joint de la porte. Il est essentiel pour une bonne étanchéité. Faites extrêmement attention à ne pas frotter, endommager, déplacer ou enlever le joint de la porte.
- N'utilisez pas de nettoyants pour four de type commercial ou d'enduit protecteur de toutes sortes à l'intérieur et à l'extérieur du four.
- Ne nettoyez que les pièces indiquées dans ce manuel.
- Avant d'auto - nettoyer le four, enlevez le lèche-frite, les grilles de four, et les autres ustensiles et les excès d'éclaboussures.



AVERTISSEMENT

La loi applicable sur les produits toxiques et l'eau potable de Californie requiert que les industriels avisent les utilisateurs d'exposition potentielle aux substances qui sont reconnues par l'Etat de Californie comme provoquant des cancers ou des déformations natales.

L'élimination de résidus pendant l'auto-nettoyage provoque des dérivés qui sont sur cette liste de substances.

Pour minimiser l'exposition à ces substances, faites fonctionner ce four toujours conformément aux instructions dans ce manuel et ventilez bien la pièce pendant et immédiatement après l'auto-nettoyage du four.

Dans un four classique, la chaleur est envoyée par cycle pour maintenir une température moyenne dans la cavité du four. Comme la température augmente et descend graduellement, des petits courants d'air sont produits dans le four. Cette convection naturelle n'est pas forcément efficace parce que les courants sont irréguliers et doux.

Dans le système à convection, la chaleur est "transportée" par un ventilateur qui distribue une circulation continue d'air chaud.

Le système à convection européen apporte une ingénierie de pointe et une conception avancée pour créer le meilleur four à convection. Dans les fours à convection standard, le ventilateur fait simplement circuler l'air chaud autour de la nourriture. Le système se caractérise par la combinaison d'un élément de chauffage supplémentaire autour du ventilateur à convection et le panneau d'aération qui distribue l'air chauffé sur trois dimensions : le long des côtés, en haut et tout au fond de la cavité du four. Ce système à convection européen aide à maintenir plus chaude la température dans toute la cavité du four.

L'air circulant aide à accélérer le processus de cuisson et cuit la nourriture plus uniformément. En contrôlant le mouvement de l'air chauffé, la cuisson à convection dore les aliments uniformément en les laissant croustillants à l'extérieur et moelleux à l'intérieur. La cuisson à convection marche mieux pour les pains et les pâtisseries ainsi que les viandes et les volailles. Les aliments soufflés comme les gâteaux des anges, les soufflés et les choux à la crème sont plus soufflés que dans un four classique. Les viandes restent juteuses et tendres alors que l'extérieur est plein de saveur est croustillant.

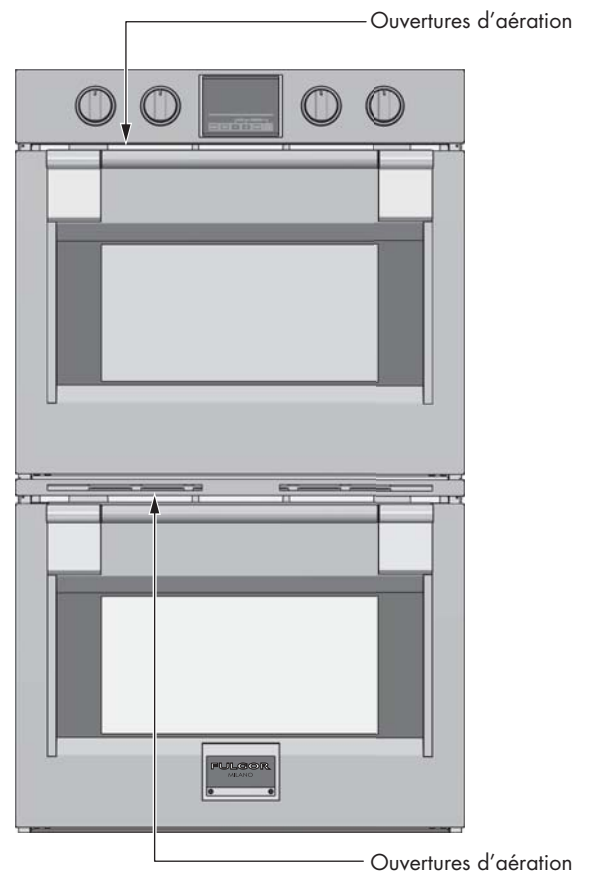
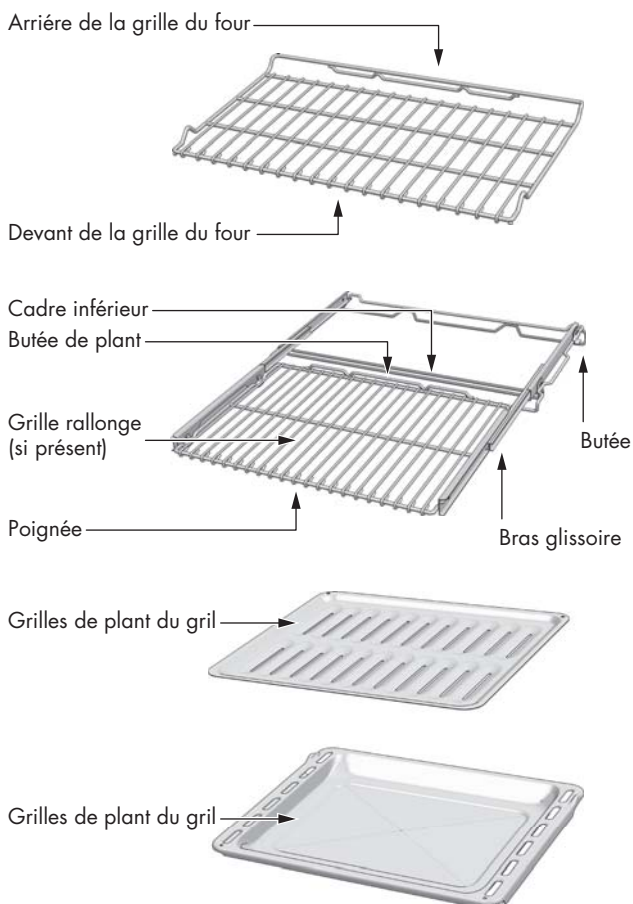
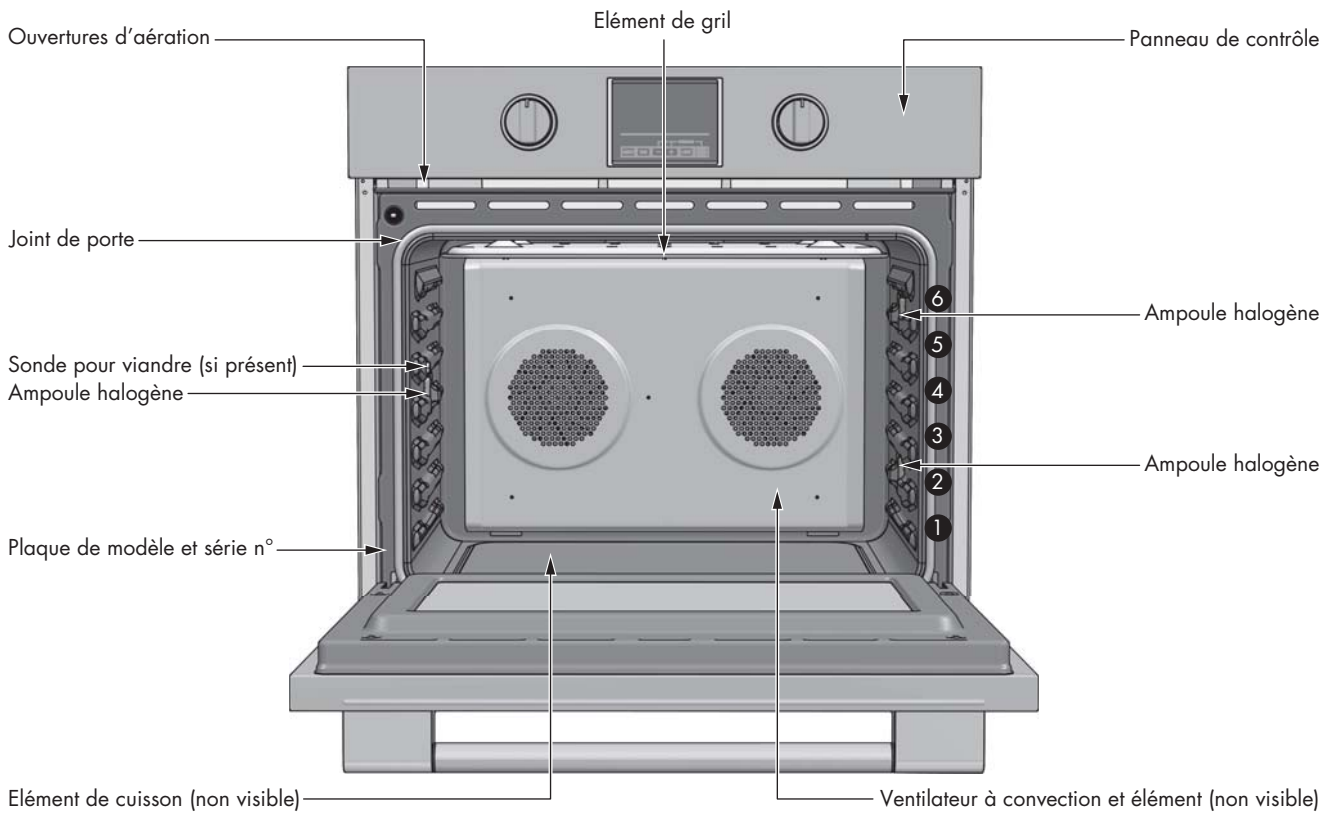
En utilisant un four à convection européen, la nourriture peut être cuite à plus basse température et les temps de cuisson peuvent être plus courts. En utilisant ce mode, la température standard du four doit être plus basse de 25°F (15°C).

Les aliments nécessitant moins de temps de cuisson, le temps de cuisson doit être vérifié légèrement plus tôt que d'habitude. Pour de meilleurs résultats, les aliments ne doivent pas être couverts, et être mis dans des récipients à bord bas pour profiter de la circulation d'air forcé. Lorsque vous utilisez le mode rôtisserie à convection, la température standard du four n'a pas besoin d'être réduite.

Avantages de la cuisson par convection

- Possibilité de cuire, de faire revenir et de faire croustiller les aliments.
- Pendant le rôtissage, les jus et les saveurs restent à l'intérieur alors que l'extérieur devient croquant.
- Les pains à levure sont plus légers, ils ont une texture plus ferme, ils sont plus dorés et plus croustillants.
- Les aliments levés à la levure comme les choux à la crème, les soufflés et les meringues sont plus gonflés et sont plus légers.
- Cuisiner sur plusieurs niveaux en même temps est possible avec les mêmes résultats.
- Plusieurs grilles de cuisson forment un gain de temps.
- Préparation d'un repas entier en une seule fois sans transfert de saveur.
- Déshydratation des herbes, des fruits et des légumes.
- Aucune spécialisation de cuisinière nécessaire.
- Gain de temps et d'énergie.
- Les grillades par convection permettent des grillades extraordinaires avec des tranches plus épaisses. Convection broiling allows for extraordinary grilling with thicker cuts of food.

CARACTÉRISTIQUES DE VOTRE FOUR

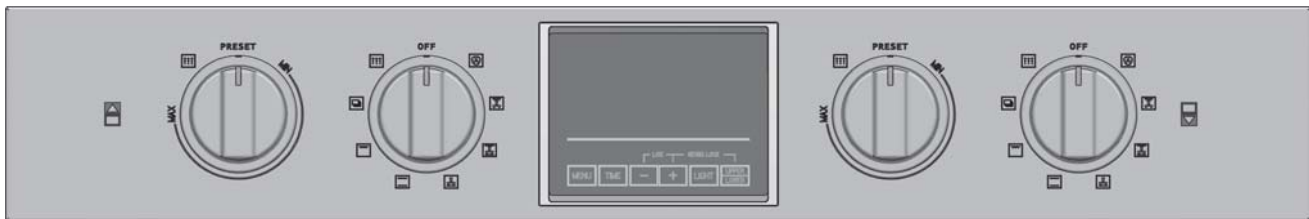


L'interface d'utilisation a les caractéristiques suivantes: affichage, indicateurs lumineux de préchauffage, touches de commande, mode de cuisson et sélecteurs de température.

FOUR SIMPLE



FOUR DOUBLE



Touches de commande

	Effleurez cette clé pour permettre les fonctions spéciales, les modes en basse température ou pour entrer le menu spécial.
	Effleurez cette clé jusqu'à ce que "SET TIME" apparaisse pour régler ou changer l'heure. Effleurez cette clé jusqu'à ce que "TIMER" apparaisse pour régler, modifier ou effacer la valeur minuterie. Une fois que la fonction de cuisson a été déclenchée, Effleurez cette clé jusqu'à ce que "TIME" apparaisse afin de régler, modifier ou effacer le temps de cuisson. Effleurez cette clé jusqu'à ce que "STOP TIME" apparaisse afin de régler, modifier ou effacer la fin de la durée de cuisson. Dans le cas où l'un des anciens modes a été désactivé et son chiffre clignote, effleurez ou appuyez :
	la clé pour diminuer la valeur.
	la clé pour augmenter la valeur.
	Effleurez pour régler l'état des lumières du four.
	Lorsqu'une fonction de cuisson a été sélectionnée, effleurez cette clé pour permettre le mode préchauffage rapide. Le préchauffage rapide n'est pas disponible sur toutes les fonctions.
	Effleurez cette clé pour sélectionner la cavité supérieure si aucune n'est sélectionnée. Si l'une des deux est déjà sélectionnée, effleurez et passez à l'autre cavité.

Affichage

Affichage central pour l'heure et d'autres fonctions :

pour l'heure, la minuterie, la cuisson automatique. Les indications AM/PM sont également présentes.

Les indications autres sont également disponibles pour indiquer quelle cavité est actuellement sélectionnée et si aucune des portes a été verrouillée, automatiquement pour un auto-nettoyage ou manuellement par l'utilisateur.

Affichage pour les indications de température :

Indication de l'unité de degré (°C ou °F) est présente. Il indique le point de réglage de la température pour le mode de cuisson actuel, dans la cavité sélectionnée.

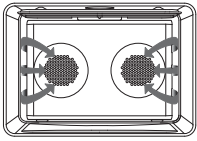
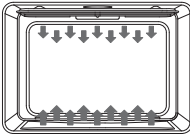
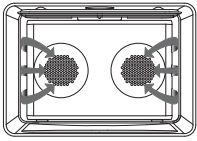
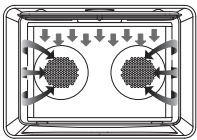
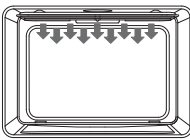
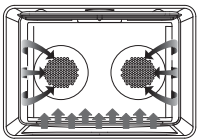
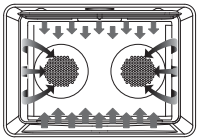
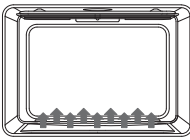
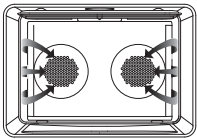
Affichage avec écritures pour l'indication des modes de cuisson pour indiquer quelle fonction a été sélectionnée.

Boutons

Sélecteur de mode de cuisson (multifonction), avec huit modes de cuisson + position OFF

Sélecteur de température avec des positions de PRESET et CLEAN + gamme continue entre les valeurs MIN et MAX.

Les illustrations suivantes indiquent une vue générale de ce qui se passe dans le four avec chaque mode de cuisson. Les flèches représentent la situation de la source de chaleur pendant les modes spécifiques. L'élément inférieur est dissimulé sous la sole du four.

CAVITY STYLES		
 <p>Cuisson au four a convection européenne (CONV BAKE)</p>	 <p>Cuisson au four (BAKE)</p>	 <p>Deshydratation (CONV DEHY)</p>
<p>Réglage température: de 170 °F (75 °C) à 550 °F (290 °C) (position pré-réglée 325 °F (165 °C))</p> <p>La cuisson au four à convection a lieu grâce à la chaleur provenant d'un ou plusieurs éléments circulaires situés derrière la paroi arrière du four. La chaleur circule à travers le four par un ventilateur à convection.</p>	<p>Réglage température: de 170 °F (75 °C) à 550 °F (290 °C) (position pré-réglée 350 °F (175 °C))</p> <p>La cuisson au four est une cuisine avec de l'air chauffé. Les deux éléments du cycle, celui inférieur et celui supérieur fonctionnent pour garder la température du four.</p>	<p>Réglage température: de 120 °F (50 °C) à 160 °F (70 °C) (position pré-réglée 140 °F (60 °C))</p> <p>Déshydrater est similaire à la cuisine à convection et cela garde une température basse optimale alors que l'air chauffé circule pour enlever l'humidité doucement pour préserver les aliments.</p>
 <p>Gril a convection (CONV BROIL)</p>	 <p>Gril (BROIL)</p>	 <p>Pizza (PIZZA)</p>
<p>Réglage température: de 170 °F (75 °C) à 550 °F (290 °C) (position pré-réglée 450 °F (230 °C))</p> <p>Le gril à convection combine la chaleur intense de l'élément supérieur avec une chaleur qui circule grâce au ventilateur.</p>	<p>Réglage température: de L1 à L5 (position pré-réglée L3)</p> <p>Le gril utilise la chaleur intense émise depuis l'élément supérieur.</p>	<p>Réglage température: de 170 °F (75 °C) à 550 °F (290 °C) (position pré-réglée 450 °F (232 °C))</p> <p>C'est un mode de cuisson spécial avec de l'air chauffé. L'élément inférieur passe au mode cuisson pizza.</p>
 <p>Cuisson a convection (CONV ROAST)</p>	 <p>Proof (WARM)</p>	 <p>Defrost (CONV)</p>
<p>Réglage température: de 170 °F (75 °C) à 550 °F (290 °C) (position pré-réglée 325 °F (165 °C))</p> <p>Le rôtissage à convection utilise l'élément supérieur, du milieu et le ventilateur à convection.</p>	<p>Réglage température: de 80 °F (25 °C) à 120 °F (50 °C) (position pré-réglée 100 °F (35 °C))</p> <p>Warming (WARM PLUS) Réglage température: de 130 °F (55 °C) à 210 °F (100 °C) (position pré-réglée 170 °F (75 °C))</p> <p>Test et réchauffement utilisent les éléments inférieurs pour garder la nourriture chaude.</p>	<p>Aucun élément de chauffage n'est utilisé, uniquement le ventilateur à convection est utilisé pour décongeler les aliments.</p>

Avant d'utiliser votre four pour la première fois, enlevez tous les emballages du four ou des fours. Tout matériel de cette sorte laissée à l'intérieur peut fondre ou brûler lorsque l'appareil est en marche.

Faites chauffer l'appareil vide à la température maximale afin d'enlever tous les résidus de fabrication qui pourraient affecter les aliments avec des odeurs désagréables.

Symboles et nombres clignotants

Ils signalent une action incomplète en cours (verrouillage de la porte, préchauffage, etc.) ou un réglage incomplet qui demande une entrée supplémentaire.

Bips

Cela signale que plus d'informations doivent être entrées ou cela confirme la réception d'une entrée. Un bip signale aussi la fin d'une fonction ou une erreur du four.

Verrouillage de sécurité de la porte

Il est affiché de façon constante lorsque la porte est verrouillée. Le symbole clignote lorsque le loquet est en mouvement afin de verrouiller ou de déverrouiller la porte. N'essayez pas d'ouvrir la porte à ce moment. La porte peut être ouverte lorsque le symbole n'apparaît plus. "AUTO LOCK" apparaît lorsque la porte a été verrouillée automatiquement à cause du mode autonettoyage.

"USER LOCK" est affichée lorsque la porte a été verrouillée manuellement par l'utilisateur, par exemple pour empêcher un enfant d'accéder à la cavité du four. Maintenez les clés **+** et **-** pendant 3 secondes. Le loquet verrouillera la porte. Recommencez la même opération pour le déverrouillage.

Verrouillage du clavier

Verrouillage du clavier Maintenez les clés indiquées par "KEYBD. LOCK" sur le tableau pendant 3 secondes. Les commandes sont maintenant verrouillées et "SENS LOCK" va s'afficher chaque fois que vous touchez une clé. Recommencez la même opération pendant 3 secondes pour le déverrouillage.

Coupure de courant

Après le retour du courant, la pendule affiche 12.00^{AM}.

Réglages par défaut

Les modes de cuisson sélectionnent automatiquement la température appropriée lorsque le sélecteur est dans une position préréglée. On peut le modifier lorsqu'une température différente est nécessaire. Il est aussi possible de régler une option utilisateur afin de sauver la dernière température utilisée pour chaque mode de cuisson.

Codes de chiffre erreur F (Failure)

Ces codes sont affichés lorsque le contrôle électronique détecte un problème dans le four ou sur les parties électroniques.

Ventilateur à convection

Le ventilateur fonctionne pendant tous les modes à convection. Lorsque le four fonctionne dans un mode à convection, le ventilateur s'arrêtera automatiquement lorsque la porte est ouverte. Le ventilateur fonctionner pendant la durée du préchauffage pour des modes spécifiques.

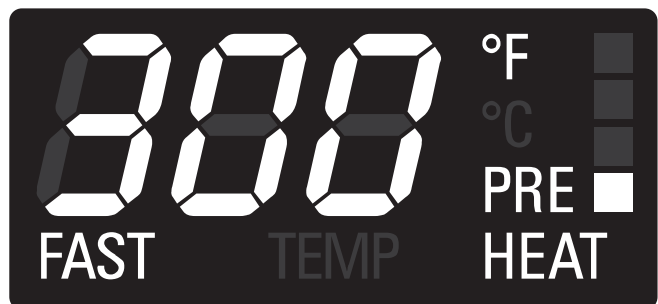
Composant du ventilateur de refroidissement

Il fonctionne pendant tous les modes de cuisson ou d'auto-nettoyage pour refroidir les composants internes et les surfaces de la porte extérieure. Cet air s'échappe des événements situés au-dessus de la porte du four. Il continue à fonctionner jusqu'à un refroidissement suffisant. La vitesse du ventilateur de refroidissement s'accélère pendant l'auto-nettoyage et lorsque la température des composants intérieurs devient élevée.

Préchauffage rapide

Lorsqu'un mode de cuisson est réglé et lorsque le four chauffe, l'écriture "PREHEAT" apparaît sur l'affichage de température : la barre verticale indique, en quatre étapes, lorsque le four atteint les 25%, 50%, 75%, 100% du point de réglage de température.

Dès que les 100% sont atteints, la commande émet un signal d'une "fin de préchauffage" et l'écriture "PREHEAT" disparaît. Lorsqu'il est nécessaire de chauffer le four rapidement, un mode de préchauffage rapide est disponible : il utilise les éléments de chauffage et le ventilateur à convection de façon spéciale, afin de réduire le temps de chauffage autant que possible. Après avoir réglé une des fonctions de cuisson pour laquelle le préchauffage rapide est possible, effleurez la clé **P-HEAT** l'écriture "FAST" est indiquée en plus de "PREHEAT".



Dès que le point de réglage de la température est atteint, la commande émet un signal d'une "fin de préchauffage" et les écritures "FAST" et "PREHEAT" disparaissent. Le four change automatiquement sur le mode de cuisson désiré qui a été préalablement réglé : mettez le plat maintenant.

Préchauffage du four

- Préchauffez le four pour les modes de Cuisson, Convection Europ. et Convection Cuisson.
- Utilisez le mode de préchauffage rapide lorsqu'un bref délai est nécessaire pour préchauffer le four.
- Sélectionnez une température plus élevée ne réduit pas le temps de préchauffage.
- Le préchauffage est nécessaire pour de bons résultats lorsque vous cuisinez des gâteaux, des biscuits, des pâtisseries et du pain.
- Le préchauffage aidera à saisir les rôtis et à garder la viande juteuse.
- Places les grilles de four dans leur position appropriée avant le préchauffage.
- Pendant le préchauffage, la température de cuisson choisie est toujours affichée.
- Un signal va confirmer que le four est préchauffé et l'écriture "PREHEAT" s'éteindra.

Suggestions d'utilisation

- Utilisez les tableaux de cuisson comme guide.
- Ne posez pas les plats sur la porte ouverte.
- Utilisez la lumière intérieure du four pour voir la nourriture à travers la fenêtre de la porte du four plutôt que d'ouvrir la porte fréquemment.

Ustensiles

- Les plats en verre absorbent la chaleur. Réduisez la température du four de 25 °F (15 °C) lorsque vous utilisez des plats en verre.
- Utilisez des plats qui donnent le brunissage désiré. Le type du finissage du plat aide à déterminer le brunissage.
- Les plats métallisés lisses et brillants ou anodisés/ antiadhésifs plus pâles réfléchissent la chaleur, donnant un brunissage plus léger, plus délicat. Les gâteaux et les biscuits nécessitent ce type de plat.
- Les plats mats, rugueux, foncés vont absorber la chaleur donnant une croûte plus brune plus croustillante. Utilisez ceux-ci pour les tartes.
- Pour des croûtes croustillantes, brunes, utilisez des plats anodisés/antiadhésifs ou foncés ou en métal mat ou en verre. Des plats isolés peuvent augmenter le temps de cuisson.
- Ne cuisez pas avec le gril vide dans le four, cela pourrait changer la performance de cuisson. Rangez-le en dehors du four.

Condensation du four et température

- Il est normal qu'une certaine quantité d'humidité s'évapore des aliments pendant la cuisson. La quantité dépend de l'humidité contenue dans la nourriture. L'humidité peut se condenser sur toute surface plus froide que l'intérieur du four, comme le tableau de commande.
- Votre nouveau four a un capteur électronique de température qui permet de maintenir soigneusement la température

sélectionnée. Votre ancien four devait avoir un thermostat mécanique qui passait graduellement à une température plus élevée. Il est normal que vous ayez à ajuster vos recettes préférées en cuisinant dans un nouveau four.

Cuisson à haute altitude

- Lorsque vous cuisinez à haute altitude, les recettes et les durées de cuisson varient de la norme.

Branchement de 120/240 ou de 120/208 Volt

- La plupart des installations de four auront un branchement de 120/240.
- Si votre four est installé avec une tension de 120/208, le temps de préchauffage peut être légèrement plus long qu'avec une tension de 120/240.
- Le four est conçu pour assurer le même temps de nettoyage à 208 V.

Grilles de four

- Le four est pourvu de guides de grilles à six niveaux comme indiqué dans l'illustration Page 5.
- Les positions sont numérotées du bas (n° 1) vers le haut (n° 6).
- Vérifiez le tableau des cuissons pour la meilleure position de la grille à utiliser pendant la cuisson.
- Chaque niveau de guide comprend des supports par paire formés dans les parois de chaque côté du four.
- Assurez-vous de toujours placer les grilles avant d'allumer votre four. Assurez-vous que les grilles sont au bon niveau lorsqu'elles sont placées.

Veillez-vous reporter à l'illustration Page 5 si vous avez des questions comme savoir où est le devant de la grille.

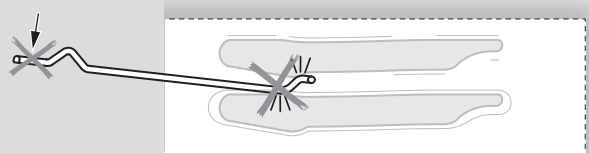
- Les grilles sont dessinées pour s'arrêter lorsqu'elles sont poussées jusqu'à leur limite.

ATTENTION

N'utilisez jamais de feuille en aluminium pour couvrir les grilles ou le fond du four. La chaleur coincée sous l'aluminium peut causer des dégâts au four.

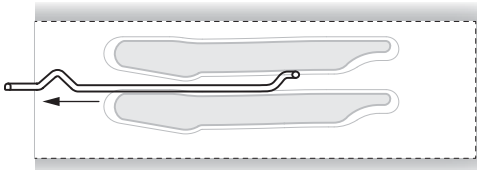
ATTENTION

Veillez à ne pas forcer pour éviter d'endommager l'émail

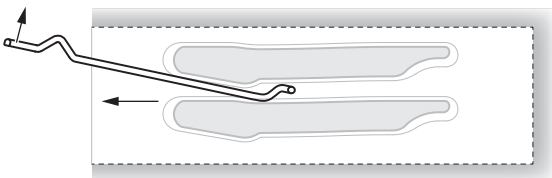


Pour enlever les grilles:

1. Tirez-les vers vous

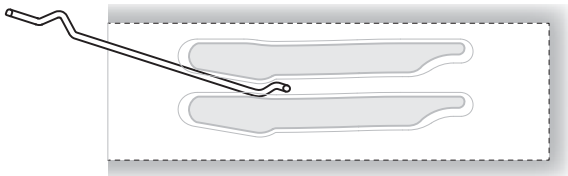


2. Soulevez-les vers devant et ensuite enlever-les

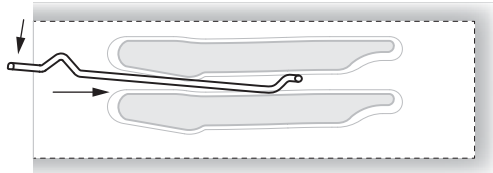


Pour remplacer une grille:

1. Placez l'arrière de la grille entre les guides de niveau de grille



2. En soulevant vers le haut la grille, faites-la glisser tout le long en baissant le devant



Grille rallonge

Cette grille facilite l'accès aux aliments cuisants. Elle s'allonge plus que la grille standard pour rapprocher les aliments de l'utilisateur.

ATTENTION

Lorsque la grille est hors du four, les bras latéraux ne se verrouillent pas, ils peuvent s'allonger de façon inattendue si la grille est tirée incorrectement et causes des blessures. **La grille doit être tenue ou tirée en saisissant les côtés.**

NOTE: Toujours enlever la grille rallonge avant l'autonettoyage.

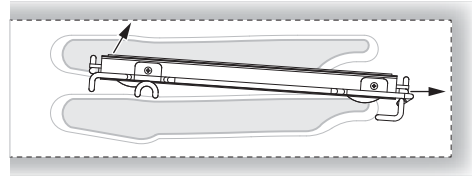
ATTENTION

Pour éviter les brûlures, tirer complètement la grille et soulever la casserole audessus de la poignée au moment de transférer des aliments hors du et dans le four.

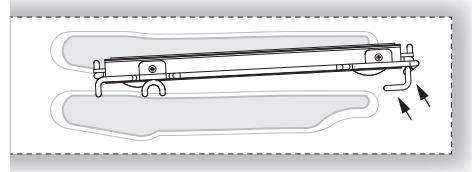
Veillez-vous reporter à l'illustration Page 5 si vous avez des questions comme savoir où est le devant de la grille.

Retrait du four:

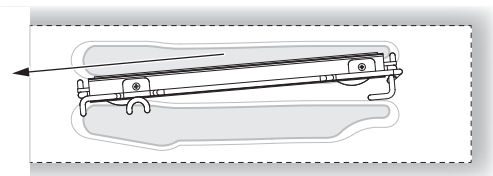
1. Soulever légèrement le devant de la grille et pousser jusqu'à ce que la butée se dégage



2. Soulever l'arrière de la grille jusqu'à ce que le cadre et la butée se dégagent du guide

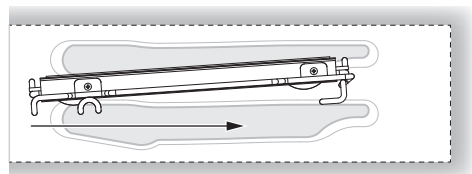


3. Tirer vers le bas et sortir

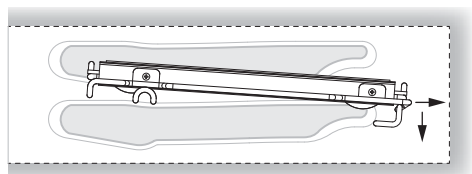


Mise en place dans le four:

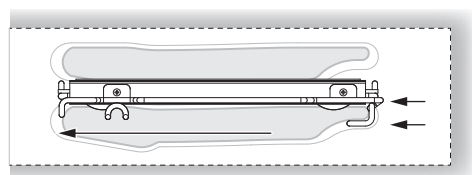
1. Saisir la grille fermement par les côtés. Placer la grille et le cadre au-dessus du guide de grille désiré



2. Pousser au fond jusqu'à ce que l'arrière de la grille se mette en position



3. Tirer les deux sections vers l'avant jusqu'à la butée. La grille doit être droite et non croche



L'heure est affichée en heures et en minutes.

Réglez toujours la pendule immédiatement après une installation ou une coupure de courant. Quand le courant revient, la pendule affiche 12:00^{AM}.

L'horloge va apparaître pendant toutes les opérations du four sauf lorsque la minuterie ou toutes autres opérations de cuisson minutées est en cours.

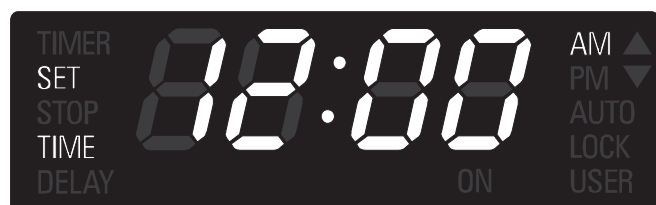
Le four est préréglé sur midi et il indique ^{AM} et ^{PM}.

Pour régler l'horloge

1. Effleurez **TIME** jusqu'à ce que l'affichage indique l'écriture "SET TIME".
2. Effleurez **+** ou **-** pour régler le temps désiré, les heures vont clignoter : continuez jusqu'à ce que l'heure correcte et l'indication ^{AM} ou ^{PM} soient sélectionnées.
3. Effleurez **TIME** à nouveau pour confirmer l'heure et les minutes vont commencer à clignoter.
4. Effleurez **+** ou **-** pour régler les minutes désirées ou appuyez sur la clé pour changer par étape de 10 minutes.
5. Effleurez **TIME** à nouveau ou attendez pendant 5 secondes afin de confirmer l'horloge.

Pour régler la minuterie









1. Effleurez **TIME** jusqu'à ce que l'affichage indique l'écriture "TIMER".
2. Effleurez **+** ou **-** pour régler la minuterie désirée, les heures vont clignoter : continuez jusqu'à ce que la valeur désirée soit réglée.
3. Effleurez **TIME** à nouveau pour confirmer l'heure et les minutes qui vont clignoter.
4. Effleurez **+** ou **-** pour régler la valeur des minutes désirée ou maintenez la clé pour changer par étape de 10 minutes.
5. Effleurez **TIME** à nouveau ou attendez pendant 5 secondes afin de confirmer l'heure.
6. "TIMER" est affichée de façon constante.
7. Lorsque la minuterie expire, un rappel bipé prenant 15 minutes ou jusqu'à ce que vous appuyez sur la clé **TIME**.
8. Le format de minuterie est normalement HR:MIN, devenant MIN:SEC pendant la dernière minute.
9. La valeur affichée est toujours arrondie à la minute inférieure.



NOTE: L'heure ne peut pas être réglée si aucune fonction horloge n'est déjà fixée: d'abord effacez toutes les fonctions horloge actives.

Pour régler un mode de cuisson et température

- Les modes de cuisson peuvent être sélectionnés en déplaçant le bouton de mode de cuisson sur la position voulue. Pour sélectionner Nettoyage, le bouton de température doit être également placé sur la position Nettoyage appropriée.

Réglage du mode de cuisson		
OFF	ARRET	(OFF)
	CONVECTION EUROPEENNE	(CONV BAKE)
	CONVECTION BROIL	(CONV BROIL)
	CONVECTION CUISSON	(CONV ROAST)
	PIZZA	(MULTI PIZZA)
	CUISSON	(BAKE)
	BROIL	(BROIL)
	DESHYDRATATION	(CONV DEHY)
	RECHAUFFEMENT	(WARM)
	DECONGELATION	(CONV)
	RECHAUFFEMENT	(WARM PLUS)
	AUTO NETTOYANT	





- Sélectionnez la température voulue en déplaçant le sélecteur ou en le laissant sur la position PRE-SEL si la valeur proposée est bonne. La température peut être changée par étapes de 5°F ou 5°C.
- Dès que le bouton est déplacé, la commande change automatiquement pour afficher la valeur dans la cavité correspondante. L'écriture correspondante "UPPER" ou "LOWER" apparaît.
- La cavité va commencer à chauffer, l'écriture "ON" est affichée lorsque la cavité est activée, la lumière du four est allumée.
- Le voyant de préchauffage va s'allumer. Lorsque le four est préchauffé, il va bipier et la lumière rouge s'éteint.
- Pour changer la température pendant une cuisson, tournez simplement le bouton de température jusqu'à ce que l'affichage indique la valeur voulue.
- Appuyez sur **UPPER/LOWER** pour choisir la cavité voulue et vérifiez la température correspondante ou la minuterie lorsqu'il n'a pas lieu de les modifier.
- Placez le sélecteur de mode de cuisson sur [ARRET] si vous voulez arrêter la cuisson.



- Les triangles dans le coin supérieur droit sont activés lorsqu'une cavité fonctionne, même si elle n'est pas sélectionnée sur l'affichage.

En utilisant la clé **MENU** pour sélectionner les fonctions de basse température

- Déplacer le sélecteur de mode de cuisson sur la position basse temp., une des fonctions suivantes est affichée:

Réglage du mode de cuisson		
	DESHYDRATATION	(CONV DEHY)
	RECHAUFFEMENT	(WARM)
	DECONGELATION	(CONV)
	RECHAUFFEMENT	(WARM PLUS)

- Effleurez la clé **MENU** pour alterner ces quatre modes.
- Le dernier utilisé est gardé en mémoire pour la prochaine sélection.

Utilisation des lumières du four

- Une simple touche lumière active les lumières dans les deux fours.
- Si vous appuyez sur la touche **LIGHT** lorsque les deux fours sont éteints, les lumières vont s'allumer dans les fours supérieur et inférieur. Appuyez de nouveau sur la touche **LIGHT**, et les lumières des deux fours vont s'éteindre.
- Les lumières du four s'allument et s'éteignent automatiquement lorsque la porte est ouverte ou fermée.
- Lorsqu'un four est en marche, les lumières du four s'allumeront automatiquement lorsqu'un mode démarre. Les lumières du four s'éteindront automatiquement lorsque le mode four est annulé.
- Les lumières ne fonctionnent pas pendant l'autonettoyage.

Pour contrôler manuellement les lumières intérieures du four lorsque les deux fours ou un seul four sont utilisés :

- Appuyez sur **UPPER/LOWER**, l'affichage va indiquer quel four est sélectionné.
- Appuyez sur **UPPER/LOWER** pour éclairer l'autre four.
- Effleurez **LIGHT** pour éteindre ou allumer la cavité désirée.

- Dans les modèles four double, les deux fours peuvent être réglés indépendamment pour mettre en place un mode programmé.
- Assurez-vous que la pendule indique l'heure correcte.
- Le mode programmé éteint le four à la fin du temps de cuisson.

Pour régler le mode programme

1. Sélectionnez le four grâce à la clé **UPPER/LOWER**, si nécessaire.
2. Sélectionnez le mode de cuisson et la température grâce aux boutons. L'écriture "ON" va apparaître sur l'affichage.
3. Effleurez la clé **TIME** jusqu'à ce que l'écriture "TIME" apparaisse sur l'affichage.
4. Effleurez **+** ou **-**, les chiffres de l'heure vont clignoter. Continuez pour régler le temps de cuisson désiré. Gardez à l'esprit que le délai requis pour que le four atteigne la température doit être inclus dans le réglage du temps de cuisson.
5. Effleurez **TIME** à nouveau, les heures seront confirmées et les chiffres des minutes vont clignoter.
6. Effleurez **+** ou **-** pour changer les minutes. Appuyez sur la clé pour changer par étapes de 10 minutes. Continuez de régler le temps de cuisson désiré.
7. Effleurez **TIME** une fois encore ou attendez pendant quelques secondes pour confirmer la valeur du temps de cuisson.



Pour retarder le démarrage du mode minuterie

Suivez les étapes 1 jusqu'à 6 ou 7 ci-dessous.

- Effleurez la clé **TIME** jusqu'à ce que "STOP TIME" apparaisse sur l'affichage.
- Le contrôle calcule automatiquement et affiche la valeur initiale, en ajoutant le temps de cuisson déjà réglé sur l'heure.



- Effleurez **+** ou **-**, les chiffres de l'heure vont commencer à clignoter. Continuez de régler le temps d'arrêt désiré.
- Effleurez **TIME** encore, les heures seront confirmées et les chiffres des minutes vont clignoter.
- Effleurez **+** ou **-** pour changer les minutes. Maintenez la clé pour changer par étape de 10 minutes. Continuez de régler le temps d'arrêt désiré.
- Effleurez **TIME** encore une fois ou attendez quelques secondes pour confirmer la valeur de temps d'arrêt.
- L'horloge calcule automatiquement le moment de la journée pendant lequel le mode est sur démarrage ou arrêt. L'écriture "DELAY" est affichée jusqu'à ce que l'heure de départ est atteinte.



Lorsqu'un mode temporisé est en cours

- Dès que le four commence sa cuisson, l'affichage indique que le temps de cuisson et il décompte par étapes d'une minute. Le four va cuire pendant le temps programmé.
- Lorsque le temps expire, le four s'éteint automatiquement, les écritures "ON" et "TIME" commence à clignoter, une "end of activity" émet des signaux sonores en séquence. Des bips de rappel sonneront jusqu'à quinze minutes jusqu'à ce qu'une clé soit effleurée afin de rappeler l'attention de l'utilisateur.

Comment vérifier une valeurs temps

- S'il est nécessaire de vérifier une valeur temps qui n'est pas affichée, effleurez la clé **TIME** jusqu'à ce que la bonne écriture ne s'affiche pour voir la valeur désirée pendant 5 secondes.
- Exemple : si la valeur temps est affichée et que vous voulez vérifier le temps de cuisson, effleurez la clé **TIME** jusqu'à ce que "TIME" s'affiche pour voir le temps de cuisson pendant 5 secondes.



Ce four est pourvu d'une sonde thermique pour viande pour capter la température dans la viande et arrêter la cuisson dès que la valeur réglée est atteinte. Dans un double four, elle n'est disponible que dans la cavité supérieure. Les modes suivants peuvent être sélectionnés pour travailler avec la sonde thermique pour viande:

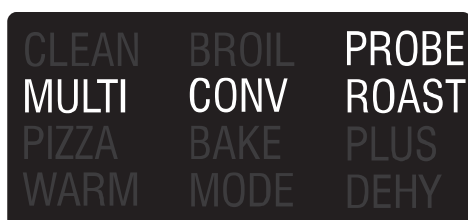
CONVECTION EUROPEENNE (CONV BAKE)

CONVECTION CUISSON (CONV ROAST)

CUISSON (BAKE)

Les autres modes empêchent le démarrage si la sonde est insérée.

Dès que la sonde thermique a été insérée dans son réceptacle et qu'elle est détectée par la commande, tournez le bouton de mode de cuisson sur une position correcte, l'écriture PROBE apparaît sur l'affichage de mode de cuisson avec la fonction sélectionnée.



La température standard de la sonde thermique pour viande (170°F) clignote sur le module horloge pendant 5 secondes. En utilisant les clés **+**/**-**, il est possible de changer le réglage de la sonde thermique.

Le point de réglage de la température standard de la sonde thermique est de 170°F.

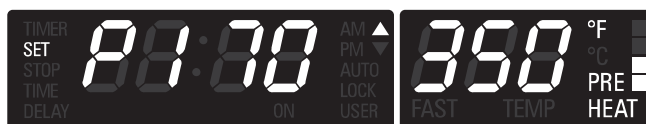
La fourchette possible est entre 130°F et 210°F.

La température maximum de la cavité pendant la cuisson avec la sonde thermique pour viande est de 475°F.

La résolution doit être entre 5°F ou 2,5°C pour le réglage et la température du moment.

Après 5 secondes, la valeur sur l'affichage est acceptée et la commande démarre la cuisson.

La température de la sonde thermique est maintenant affichée.



Effleurez **+** ou **-** une fois pour vérifier le réglage de la température de la sonde thermique.

Lorsqu'il clignote, maintenez pour modifier la valeur.

Dès que la température de la sonde thermique est atteinte, la commande envoie un bip de fin de cuisson et arrête le four.

Tournez toujours le mode de cuisson sur la position Arrêt avant de ré-utiliser le four.

L'écriture PROBE va clignoter lorsque le mode n'est pas valable pour la cuisson avec la sonde thermique.

Si la sonde thermique est enlevée pendant la cuisson, ou en cas de coupure de courant, un message d'erreur doit s'afficher.

Les fonctions horloge automatique sont désactivées lorsque vous utilisez la sonde thermique pour viande, uniquement la minuterie peut fonctionner.

La cuisson est une sorte de cuisson à air chaud.

Les éléments supérieur et inférieur sont utilisés pour chauffer l'air mais le ventilateur n'est pas utilisé pour faire circuler la chaleur. Suivez la recette ou les instructions pour la température de cuisson et la position de la grille. Le temps de cuisson varie avec la température des ingrédients et leur taille, leur forme et la finition du plat de cuisson.

Guides générales

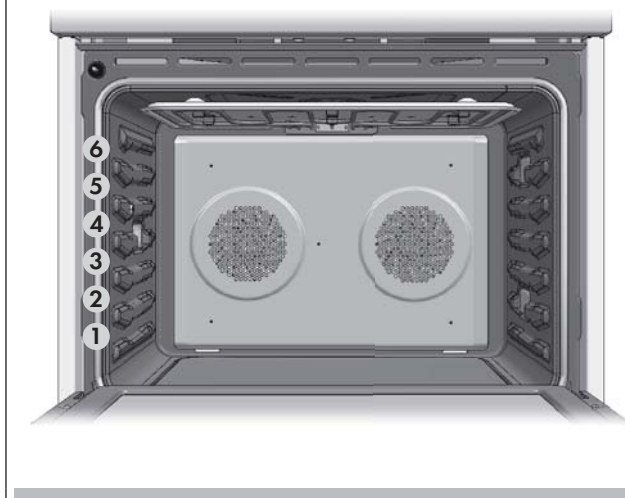
- Pour de meilleurs résultats, cuisiner les aliments, cuisinez sur une simple grille et avec au moins 1" - 1½" (2,5 - 3 cm) d'espace entre les plats et les parois du four.
- N'utilisez qu'une grille lorsque vous choisissez le mode cuisson.
- Vérifiez la cuisson au temps minimum.
- Utilisez des plats en métal (avec une finition antiadhésive ou non), en verre résistant à la chaleur, en verre céramique, en poterie ou d'autres plats appropriés au four.
- Lorsque vous utilisez un plat en verre résistant à la chaleur, réduisez la température de 25°F (15°C) par rapport à la température recommandée.
- Utilisez des plats avec ou sans bord.
- Des plats en métal foncé ou avec des finitions non adhésives cuiront plus vite en brunissant plus le métal. Des plats isolés ralentiront légèrement le temps de cuisson dans la plupart des cas.
- N'utilisez pas de feuille en aluminium ou de plateaux en aluminium. Une feuille est un excellent isolant de chaleur et donc la chaleur sera attrapée dessous. Cela altère la performance de cuisson et cela endommage la finition du four.
- Évitez de placer sur la porte ouverte des plats.
- Veuillez lire 31 Solution des problèmes de cuisson.

Tableau de cuisson				
ALIMENTS	POSITION DE GRILLE	TEMP. °F (°C) (FOUR PRÉCHAUFFE)		TEMPS (MIN)
GÂTEAU				
Petits gâteaux	2	350	(175)	19 - 22
Gâteau bundt	1	350	(175)	40 - 45
Gâteau des anges	1	350	(175)	35 - 39
TARTE				
2 croûtes, fraîches, 9po	2	375 - 400	(190 - 205)	45 - 50
2 croûtes, fruits surgelés, 9po	2	375	(190)	68 - 78
BISCUIT				
Sucre	2	350 - 375	(175 - 190)	8 - 10
Brisures de chocolat	2	350 - 375	(175 - 190)	8 - 13
Carrés au chocolat (brownies)	2	350	(175)	29 - 36
PAINS				
Pain à levure, 9x5	2	375	(190)	18 - 22
Petits pains à levure	2	375 - 400	(190 - 205)	12 - 15
Biscuits	2	375 - 400	(190 - 205)	7 - 9
Muffins	2	425	(220)	15 - 19
PIZZA				
Surgelée	2	400 - 450	(205 - 235)	23 - 26
Fraîche	2	475	(246)	15 - 18

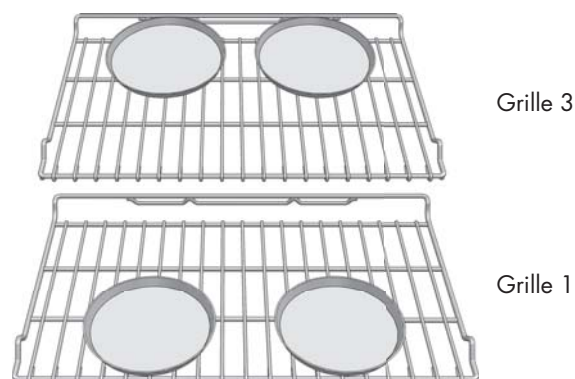
Réduisez les températures de recette de cuisson de 25°F (15°C).

- Pour de meilleurs résultats, il faut cuire les aliments non couverts, dans des plats à bord bas pour mieux profiter de la circulation d'air forcé. Utilisez des plats en aluminium brillant pour de meilleurs résultats à moins que cela soit spécifié autrement.
- Le verre résistant à la chaleur et la céramique peuvent être utilisés. Réduisez encore la température de 25°F (15°C) si vous utilisez un verre résistant à la chaleur, donc une réduction totale de 50°F (30°C).
- Les plats en métal foncé peuvent être utilisés. Notez que la nourriture peut brunir plus vite lorsque vous utilisez un plat en métal foncé.
- Le nombre de grilles utilisées est déterminé par la hauteur des aliments à cuire.
- Les aliments cuits, en général, cuisent extrêmement bien avec la convection. N'essayez pas de convertir des recettes comme les crèmes anglaises, les quiches, les tartes à la citrouille, les tartes au fromage, qui ne tirent pas de bénéfice de la convection. Utilisez le mode de cuisson normal pour ces recettes.
- Plusieurs grilles de cuisson sont disponibles aux positions 1, 2, 3, 4 et 5. Les 5 grilles peuvent être utilisées pour des gâteaux, des biscuits et des biscuits apéritifs.
 - 2 grille de cuisson : Utilisez positions 1 et 3.
 - 3 grille de cuisson : Utilisez positions 2, 3 et 4 ou 1, 3 et 5.
 - Lorsque vous cuisez plusieurs gâteaux en même temps, distribuez les plats de telle façon qu'ils ne soient pas juste l'un au-dessus de l'autre. Pour de meilleurs résultats, placez les gâteaux devant sur la grille du dessus et à l'arrière sur la grille du dessous. (Voyez le dessin à droite). Laissez 1" - 1 ½" (2,5 - 3 cm).
- Convertir vos propres recettes peut être facile. Choisissez une recette qui marche bien en convection.
- Réduisez la température et le temps de cuisson si nécessaire. Il peut parfois y avoir des essais et des erreurs avant d'arriver au résultat parfait. Gardez des traces de votre technique pour la prochaine préparation à convection.
- Veuillez lire 31 Solution des problèmes de cuisson

POSITION DES GRILLES



POSITIONS DES MODULES PLUSIEURS GRILLES



Aliments recommandés pour le mode convection européenne :

Biscuits apéritifs Biscuits pour café Gâteaux
 Biscuits (2 à 4 grilles) levure pains
 Choux à la crème
 Popovers
 Casseroles et Entrées un plat
 Plats à four (grille positions 1, 2, 3)
 Aliments levés à la levure (Soufflés, Meringue, Desserts garnis de meringue, Gâteaux ange, Gâteaux mousseline)

Conseils rapides et faciles de recette

Convertir de la **CUISSON** à la **CONVECTION EUROPÉENNE**:

- Réduisez la température de 25 °F (15 °C).
- Utilisez le même temps de cuisson que la cuisson normale si la durée est de 10 à 15 minutes.
- Les aliments avec un temps de cuisson de moins de 30 minutes doivent être vérifiés pour leur cuisson 5 minutes plus tôt que dans les recettes standard.
- Si la nourriture cuit plus de 40 - 45 minutes, réduisez le temps de cuisson de 25%.

Tableau de convection européenne

Réduisez la température standard des recettes de 25 °F(15 °C) pour la convection européenne. Les températures ont été réduites dans ce tableau.

CONVECTION CAVITY				
ALIMENTS	POSITION DE GRILLE	TEMP. °F (°C) (FOUR PRÉCHAUFFE)		TEMPS (MIN)
GÂTEAU				
Petits gâteaux	2	325	(160)	20 - 22
Gâteau bundt	1	325	(160)	43 - 50
Gâteau des anges	1	325	(160)	43 - 47
TARTE				
2 croûtes, fraîches, 9po	2	350 - 400	(175 - 205)	40 - 52
2 croûtes, fruits surgelés, 9po	2	350	(175)	68 - 78
BISCUIT				
Sucre	2	325 - 350	(160 - 175)	9 - 12
Brisures de chocolat	2	325 - 350	(160 - 175)	8 - 13
Carrés au chocolat (brownies)	2	325	(160)	29 - 36
PAINS				
Pain à levure, 9x5	2	350	(175)	18 - 22
Petits pains à levure	2	350 - 375	(175 - 190)	12 - 15
Biscuits	2	375	(190)	8 - 10
Muffins	2	400	(205)	17 - 21
PIZZA				
Surgelée	2	375 - 425	(190 - 220)	23 - 26
Fraîche	2	450	(232)	15 - 18

DOUBLE CONVECTION CAVITY				
ALIMENTS	POSITION DE GRILLE	TEMP. °F (°C) (FOUR PRÉCHAUFFE)		TEMPS (MIN)
GÂTEAU				
Petits gâteaux	2	325	(160)	16 - 18
Gâteau bundt	1	325	(160)	37 - 43
Gâteau des anges	1	325	(160)	35 - 39
TARTE				
2 croûtes, fraîches, 9po	2	350 - 400	(175 - 205)	35 - 45
2 croûtes, fruits surgelés, 9po	2	350	(175)	68 - 78
BISCUIT				
Sucre	2	325 - 350	(160 - 175)	6 - 9
Brisures de chocolat	2	325 - 350	(160 - 175)	8 - 13
Carrés au chocolat (brownies)	2	325	(160)	29 - 36
PAINS				
Pain à levure, 9x5	2	350	(175)	18 - 22
Petits pains à levure	2	350 - 375	(175 - 190)	12 - 15
Biscuits	2	375	(190)	6 - 8
Muffins	2	400	(205)	13 - 16
PIZZA				
Surgelée	2	375 - 425	(190 - 220)	23 - 26
Fraîche	2	450	(232)	15 - 18

Ce tableau est un guide. Suivez votre recette ou les directions de l'emballage et réduisez les températures de façon appropriée.

- Ne pas préchauffez le rôti à convection.
- Rôtissez dans un plat peu profond et non couvert.
- Lorsque vous rôtissez des poulets entiers ou des dindes, groupez les ailes et attachez légèrement les pattes avec une ficelle de cuisine.
- Utilisez le plat de grill 2-pièces pour les rôtis non couverts.
- Utilisez la sonde ou le thermomètre pour déterminer la cuisson intérieure sur la température "END" (fin) (voir le tableau de cuisson).
- Vérifiez de nouveau la température de la viande/volaile en insérant le thermomètre à viande dans une autre position.
- Les gros oiseaux doivent aussi être recouverts d'une feuille (et les plats rôtis) pendant une certaine durée de la cuisson pour empêcher que le plat ne soit brûlé.

Conseils de recettes faciles et rapides

 Conversion de la **CUISSON** au **CONVECTION CUISSON**:

- Les températures ne doivent pas être diminuées.
 - Les rôtis, les gros morceaux de viande et de volaille prennent généralement de 10 à 20% moins de temps. Vérifiez la cuisson plus tôt.
 - Casseroles ou plat à rôtir qui sont cuits couverts par ROTISSAGE A CONVECTION cuiront le même temps que
- La température minimum de sécurité pour la farce dans la volaille est de 165°F (75°C).
 - Après avoir enlever l'objet du four, couvrez sans serrer avec une feuille pendant 10 à 15 minutes avant le découpage s'il est nécessaire d'augmenter la température de l'aliment de 5 à 10 °F (3 à 6 °C).

Tableau de convection cuisson - CONVECTION CAVITY

VIANDES	POIDS (lb)	TEMP. FOUR °F (°C)	POSITION GRILLE	TEMPS RÔTISSAGE (min. per lb)	TEMP. INTERNE °F (°C)
BOEUF					
Côte de boeuf	4 - 6	325 (160)	2	16 - 20 18 - 22	145 (63) med saignant 160 (71) médium
Rosbif de faux-filet (sans os)	4 - 6	325 (160)	2	16 - 20 18 - 22	145 (63) med saignant 160 (71) médium
Pointe de surlonge (sans os)	3 - 6	325 (160)	2	16 - 20 18 - 22	145 (63) med saignant 160 (71) médium
Filet	2 - 3	400 (205)	2	15 - 20	145 (63) med saignant
PORC					
Longe de porc (sans os ou avec os)	5 - 8	350 (175)	2	16 - 20	160 (71) médium
Épaule	3 - 6	350 (175)	2	20 - 25	160 (71) médium
VOLAILLE					
Poulet-entier	3 - 4	375 (190)	2	18 - 21	180 (82)
Dinde non farcie	12 - 15	325 (160)	1	10 - 14	180 (82)
Dinde non farcie	16 - 20	325 (160)	1	9 - 11	180 (82)
Dinde non farcie	21 - 25	325 (160)	1	6 - 10	180 (82)
Poitrine	3 - 8	325 (160)	1	15 - 20	170 (77)
Poulet de Comouailles	1 - 1½	350 (175)	2	45 - 75 total	180 (82)
AGNEAU					
Demi gigot	3 - 4	325 (160)	2	22 - 27 28 - 33	160 (71) médium 170 (77) bien cuit
Gigot entier	6 - 8	325 (160)	1	22 - 27 28 - 33	160 (71) médium 170 (77) bien cuit

Tableau de convection cuisson - DOUBLE CONVECTION CAVITY					
VIANDES	POIDS (lb)	TEMP. FOUR °F (°C)	POSITION GRILLE	TEMPS RÔTISSAGE (min. per lb)	TEMP. INTERNE °F (°C)
BOEUF					
Côte de boeuf	4 - 6	325 (160)	2	18 - 22 20 - 25	145 (63) med saignant 160 (71) médium
Rosbif de faux-filet (sans os)	4 - 6	325 (160)	2	18 - 22 20 - 25	145 (63) med saignant 160 (71) médium
Pointe de surlonge (sans os)	3 - 6	325 (160)	2	18 - 22 20 - 25	145 (63) med saignant 160 (71) médium
Filet	2 - 3	425 (220)	2	15 - 20	145 (63) med saignant
PORC					
Longe de porc (sans os ou avec os)	5 - 8	350 (175)	2	18 - 22	160 (71) médium
Épaule	3 - 6	350 (175)	2	20 - 25	160 (71) médium
VOLAILLE					
Poulet-entier	3 - 4	375 (190)	2	20 - 23	180 (82)
Dinde non farcie	12 - 15	325 (160)	1	10 - 14	180 (82)
Dinde non farcie	16 - 20	325 (160)	1	9 - 11	180 (82)
Dinde non farcie	21 - 25	325 (160)	1	6 - 10	180 (82)
Poitrine	3 - 8	325 (160)	1	15 - 20	170 (77)
Poulet de Comouailles	1 - 1½	350 (175)	2	45 - 75 total	180 (82)
AGNEAU					
Demi gigot	3 - 4	325 (160)	2	20 - 27 25 - 32	160 (71) médium 170 (77) bien cuit
Gigot entier	6 - 8	325 (160)	1	20 - 27 25 - 32	160 (71) médium 170 (77) bien cuit

Les temps de cuisson sont indiqués et ils dépendent également de l'épaisseur de la viande et de la température de départ de celle-ci avant la cuisson.

- Placez le gril dans la position appropriée avant d'allumer votre four.
- Utilisez le gril à convection avec la porte fermée.
- Ne pas préchauffé pour le four.
- Utilisez le plat de rôtissage à 2-pièces.
- Tourner les viandes une fois à mi-cuisson du temps de cuisson recommandé (voir le tableau de gril à convection).

Tableau de convection grill - CONVECTION CAVITY					
ALIMENTS ET ÉPAISSEUR	POSITION DE GRILLE	REGLAGE DU GRIL °F (°C)	TEMP. INTERNE °F (°C)	TEMPS CÔTÉ 1 (MIN.)*	TEMPS CÔTÉ 2 (MIN.)*
BEOUF STEAK (1-PO OU PLUS)					
Médium saignant	4	450 (235)	145 (65)	9 - 12	8 - 10
Médium	4	450 (235)	160 (71)	11 - 13	10 - 12
Bien cuit	4	450 (235)	170 (77)	18 - 20	16 - 17
HAMBURGERS (PLUS QUE 1 PO)					
Médium	4	550 (290)	160 (71)	8 - 11	5 - 7
Bien cuit	4	550 (290)	170 (77)	11 - 13	8 - 10
VOLAILLE					
Poitrine (avec os)	4	450 (235)	180 (82)	16 - 18	10 - 13
Deux demi poulets	3	450 (235)	180 (82)	25 - 27	15 - 18
Cuisses	4	450 (235)	170 (77)	13 - 15	9 - 13
PORC					
Porc Cotelettes (1 po ou plus)	4	450 (235)	160 (71)	12 - 14	11 - 13
Saucisses fraîches	4	450 (235)	160 (71)	4 - 6	3 - 5

* Temps de gril à convection sont approximatifs et peuvent varier

Les temps de cuisson sont indiqués et ils dépendent également de l'épaisseur de la viande et de la température de départ de celle-ci avant la cuisson.

Tableau de convection grill - DOUBLE CONVECTION CAVITY					
ALIMENTS ET ÉPAISSEUR	POSITION DE GRILLE	REGLAGE DU GRIL °F (°C)	TEMP. INTERNE °F (°C)	TEMPS CÔTÉ 1 (MIN.)*	TEMPS CÔTÉ 2 (MIN.)*
BEOUF STEAK (1-PO OU PLUS)					
Médium saignant	4	450 (235)	145 (65)	11 - 13	10 - 12
Médium	4	450 (235)	160 (71)	15 - 17	13 - 15
Bien cuit	4	450 (235)	170 (77)	16 - 18	13 - 15
HAMBURGERS (PLUS QUE 1 PO)					
Médium	4	550 (290)	160 (71)	9 - 11	5 - 8
Bien cuit	4	550 (290)	170 (77)	11 - 13	8 - 10
VOLAILLE					
Poitrine (avec os)	4	450 (235)	180 (82)	18 - 20	13 - 15
Deux demi poulets	3	450 (235)	180 (82)	25 - 27	15 - 18
Cuisses	4	450 (235)	170 (77)	14 - 16	10 - 14
PORC					
Porc Cotelettes (1 po ou plus)	4	450 (235)	160 (71)	13 - 15	12 - 14
Saucisses fraîches	4	450 (235)	160 (71)	4 - 6	3 - 5

* Temps de gril à convection sont approximatifs et peuvent varier

Les temps de cuisson sont indiqués et ils dépendent également de l'épaisseur de la viande et de la température de départ de celle-ci avant la cuisson.

- On peut déshydrater des aliments en utilisant le mode déshydratation. Une température plus faible est utilisée et l'air chauffé circulant enlève doucement l'humidité pour préserver la nourriture.
- La température en mode déshydratation est préprogrammée à 140°F (60°C).
- Les températures du mode déshydratation possibles sont de 120°F (50°C) à 160°F (70°C).
- Plusieurs grilles peuvent être utilisées en même temps.
- Certains aliments requièrent 14/15 heures pour complètement se déshydrater.
- Consultez un livre sur la conservation des aliments pour les temps spécifiques et la conservation de certains aliments.
- Ce mode est approprié pour des fruits, des légumes, des herbes et des morceaux de viande.
- Des écrans de séchage peuvent être achetés dans les magasins spécialisés.
- En utilisant des feuilles de papier, une certaine humidité peut être absorbée avant la déshydratation (comme des morceaux de tomate ou de pêche).

Tableau de grillade à déshydratation			
ALIMENT	PRÉPARATION	TEMPS DE SECHAGE APPROX.* (heures)	VERIFIER LA CUISSON
FRUIT			
Pommes	Dans jus de citron ¼ t. et 2 t. d'eau, tranches ¼po	11 - 15	Légèrement pliables
Bananas	Dans jus de citron ¼ t. et 2 t. d'eau, tranches ¼po	11 - 15	Légèrement pliables
Cerises	Laver et assécher à la serviette. Pour les cerises fraîches, dénoyauter	10 - 15	Piables, tannees, moelleuses
Pelures d'orange et tranches	¼Po d'épaisseur ; partie de la pelure finement pelée	Peels: 2 - 4 Slices: 12 - 16	Orange pelee, séchée et cassante. Tranches : sèches et cassantes, fruitm légèrement humide
Tranches d'ananas	Séchées a la serviette	Canned: 9 - 13 Fresh: 8 - 12	Souples et pliables
Fraises	Lavées et sechées à la serviette. Tranches ½po d'épaisseur, dessus sur la grille	12 - 17	Sèches et cassantes
LÉGUMES			
Poivrons	Lavées et sechés à la serviette. Retirer la mambrane, grssièrement couplés environ 1po	16 - 20	Cassants sans humidité à l'intérieur
Champignons	Lavées et sechés à la serviette. Couper la tige. Morceaux de 1/8po	7 - 12	Fermes et cassant, secs
Tomates	Lavées et sechés à la serviette. Tranches minces 1/8po d'epaisseur. Bien drainer	16 - 23	Sèches, rouge
FINES HERBES			
Origan, sauge, persil et thym, et fenouil	Rincer et assécher à la servette	Sécher à 120°F (60°C) 3 - 5	Croustillant et cassant
Basilique	Feuilles 3 à 4po du haut. Vaporiser d'eau, secouer et assécher	Sécher à 120°F (60°C) 3 - 5	Croustillant et cassant

- Placez le grill dans la position appropriée avant d'allumer votre four.
- Utilisez le grill à convection avec la porte fermée.
- Préchauffez le four pendant 5 minutes avant son utilisation.
- Utilisez le plat de rôtissage à 2-pièces.
- Enduisez les viandes d'huile de cuisson ou du beurre pour qu'elles n'attachent pas.
- Tourner les viandes une fois à mi-cuisson du temps de cuisson recommandé (voir le tableau grill).

Tableau de grill					
ALIMENTS ET ÉPAISSEUR	POSITION DE GRILLE	REGLAGE DU GRIL	TEMP. INTERNE °F (°C)	TEMPS CÔTÉ 1 (MIN.)*	TEMPS CÔTÉ 2 (MIN.)*
BEOUF					
Steak (à 1 po)					
Médium saignant	5	5	145 (63)	5 - 7	4 - 4
Médium	5	5	160 (71)	6 - 8	5 - 7
Bien cuit	5	5	170 (77)	8 - 10	7 - 9
HAMBURGERS (À 1 PO)					
Médium	4	5	160 (71)	8 - 11	6 - 9
Bien cuit	4	5	170 (77)	10 - 3	8 - 10
VOLAILLE					
Poitrine (avec os)	4	4	170 (77)	0 - 2	8 - 10
Cuisses (bien cuit)	4	3	180 (82)	28 - 30	13 - 15
PORC					
Porc Cotelettes (1 po)	5	5	160 (71)	7 - 9	5 - 7
Saucisses fraîches	5	5	160 (71)	5 - 7	3 - 5
Tranche de jambon (po)	5	5	160 (71)	4 - 6	3 - 5
SEAFOOD					
Fruits de mer					
Filets de poisson (1 po)	4	4	Cuire jusqu'à opacifié et que l'aliment se défasse facilement avec une fourchette	10 - 14	Ne pas tourner
Beurrés					
AGÉNAU					
Côtelettes (1 po)					
Médium saignant	5	5	145 (63)	5 - 7	4 - 6
Médium	5	5	160 (71)	6 - 8	4 - 6
Bien cuit	5	5	170 (77)	7 - 9	5 - 7
PAIN					
À l'ail (1 po) tranches	4	5		2 - 2.30	
	3	5		4 - 4	

* Temps de grill à convection sont approximatifs et peuvent varier
 Les temps de cuisson sont indiqués et ils dépendent également de l'épaisseur de la viande et de la température de départ de celle-ci avant la cuisson.

Guide de température de service de la FSIS (Service d'inspection et sécurité des aliments USDA)			
140°F (60°C)	Jambon précuit (pour réchauffer)	165°F (74°C)	Farce (seule ou dans une voaille)
145°F (63°C)	Boeuf, veau, agneau frais (médium saignant)	170°F (77°C)	Restes, casseroles
160°F (71°C)	Viande hachée et mélange de viande (boeuf, porc, veau, agneau)	180°F (82°C)	Boeuf, veau, agneau frais (bien cuit)
	Boeuf, veau, agneau frais (médium saignant)		Poitrine de volaille
	Porc frais (médium)	Porc frais (bien cuit)	
	Jambon Frais (non cuit)	Poulet et dinde (entier)	
165°F (74°C)	Platsaux oeufs		Volaille (cuisses, ailes)
	Viande hachée et mélange de viande (dinde, poulet)		Canard et oie

Remarque: oeufus (seuls, non dans une recette) - cuire jusqu'à ce que le jaune et le blanc soient fermes.

Ces options spéciales de fonction peuvent être utilisées dans les options suivantes :

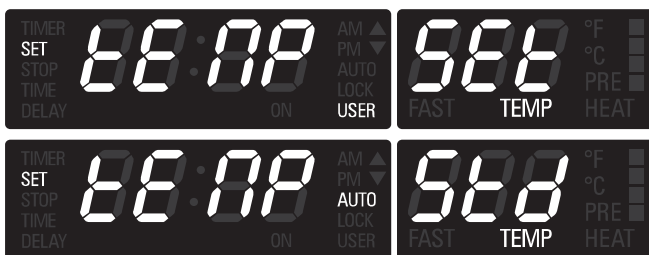
1. **SAB** → **MODE SABBAT**
(pour les croyances religieuses nécessitant "aucun travail " le jour du sabbat).
2. **OFS** → **OVEN OFFSET**
(décalage du four) (utilisé pour étalonner la température du four)
3. **DEG** → **°UNITE'**
(utilisé pour choisir ou Fahrenheit ou Centigrade)
4. **HR** → **FORMAT PENDULE**
(format pendule) (utilisé pour régler l'heure de la journée dans le format 12 am/pm ou 24 heures).
5. **SET** → **PRESET TEMPERATURE**
(il est possible d'enregistrer la température standard pré-réglée pour tous les modes de cuisson ou de la garder en mémoire la dernière température utilisée).

Pour choisir les options spéciales, veuillez suivre les étapes suivantes :

- Effleurez et maintenez les clés **MENU** et **TIME** pendant au moins 3 secondes. L'horloge disparaît et l'écran suivant s'affiche:



- Effleurez la clé **+** ou **-** pour dérouler toutes les options disponibles, jusqu'à trouver celle désirée.
- Effleurez la clé **MENU** pour éditer les options choisies.
- Changez la valeur grâce aux clés **+** ou **-**.



- Dans un four double, il est possible de régler un différent décalage dans chaque cavité. Sélectionnez la cavité avec la clé **UPPER/LOWER**.
- Effleurez la clé **MENU** pour confirmer l'option et retournez au menu de sélection ou maintenez la clé pendant 3 secondes pour quitter le Menu option utilisateur et retournez à l'écran initial de l'horloge.

- Entrez le menu option utilisateur en maintenant les clés [**MENU**] et [**TIME**] pendant 3 secondes. Déroulez la liste option (dEG, OFS, Hr, Sab), indiquée par le module de température rouge, en appuyant sur [**+** / **-**], jusqu'à ce que l'élément Sabbat soit trouvé.



- Effleurez [**MENU**] pour entrer le mode édition : l'élément choisi s'inscrit en chiffre vert sur la gauche et son statut sur les chiffres rouges vont clignoter.
- Effleurez à nouveau les clés [**+** / **-**] pour régler le mode Sabbat sur ON ou OFF (Défaut=OFF).
- Effleurez [**MENU**] pour confirmer et revenir à la liste option. Maintenez la clé [**MENU**] pendant 3 secondes pour quitter le menu de sélection et revenez aux opérations normales.
- Lorsque le mode Sabbat est réglée, uniquement les positions BAKE et OFF sont disponibles sur le sélecteur de mode de cuisson. Déplacez le sélecteur sur BAKE ensuite réglez la température sur la valeur désirée dans les 5 minutes.
- Après 5 minutes, la température ne peut plus être indiquée et l'affichage apparaît comme il suit : le mode Sabbat est activé. Dans le four double, les indications des cavités upper/lower (supérieure/inférieure) sont toujours disponibles. Les deux triangles sont allumés si les deux cavités fonctionnent.

- Les statuts de lumières du four ne peuvent pas être changés pendant la durée du Sabbat.
- La température du four peut uniquement être baissée mais aucune information ne peut être affichée.
- Le ventilateur de refroidissement doit fonctionner en mode Sabbat.
- Les lumières de préchauffage sont désactivées pendant le mode Sabbat.
- L'avertisseur doit toujours être silencieux, sans prendre en compte les erreurs, les fins d'activité, etc.
- La sonde thermique pour viande ne peut jamais être utilisée en mode Sabbat.
- Le temps de cuisson maximum possible est de 72 heures.
- L'utilisateur peut éteindre le four manuellement, même pendant Sabbat, en déplaçant le sélecteur de mode de cuisson sur la position OFF.
- Les cycles d'éléments chauffants ne doivent pas dépendre du statut du verrouillage de porte. Ouvrir ou fermer la porte ne doit pas couper le relais directement.

Auto-nettoyage du four

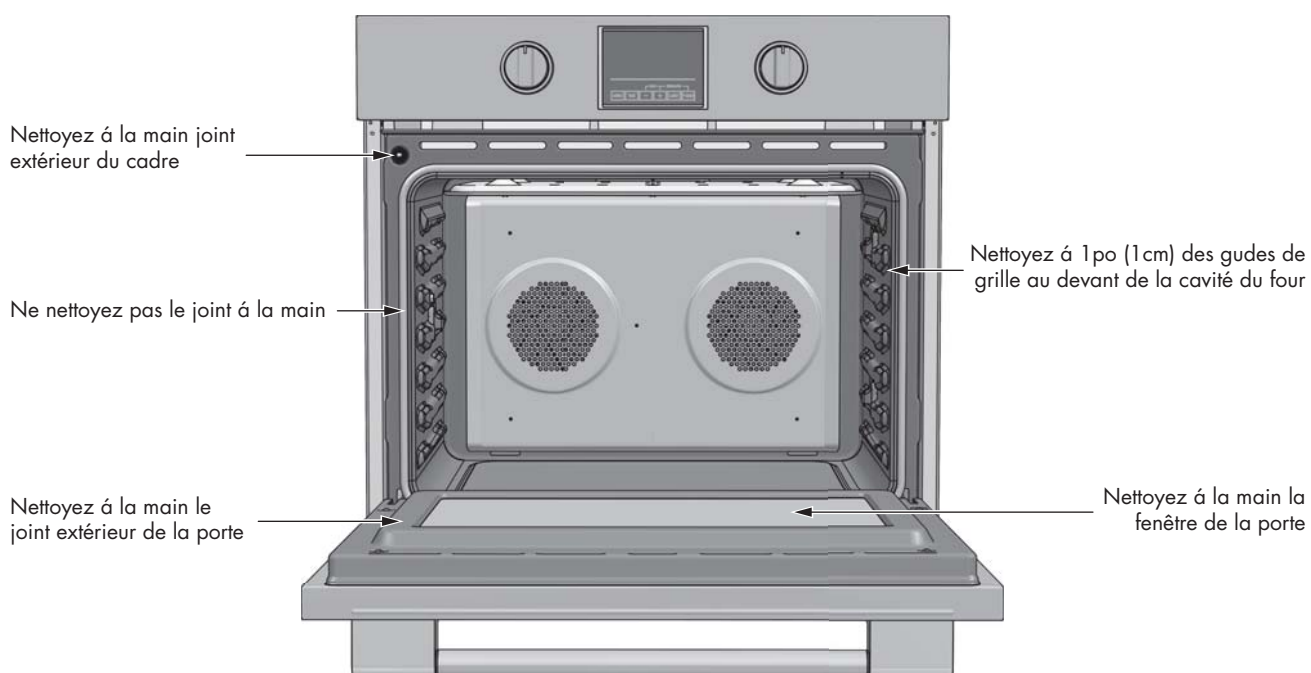
Ce four a un auto-nettoyage qui élimine les difficultés et les pertes de temps d'un lavage manuel de l'intérieur du four. Pendant l'auto-nettoyage, le four utilise une température très élevée (approx. 885°F/470°C) pour brûler les résidus de nourriture et la graisse.

- Uniquement un four à la fois peut être auto-nettoyé.
- Il est normal de voir des fumées et/ou une flammèche occasionnelle pendant le cycle d'auto-nettoyage, selon le contenu et la quantité de résidus dans le four. Si une flamme persiste, éteignez le four et laissez-le se refroidir avant d'ouvrir la porte pour essuyer les résidus en surplus.
- Le loquet de la porte est automatiquement active après la sélection de l'auto-nettoyage. Le symbole de verrouillage de la porte va s'afficher. Cela assure que la porte ne peut pas être ouverte lorsque le four est en auto-nettoyage.
- Les lumières du four ne fonctionnent pas pendant ce mode.
- Pendant l'Auto-nettoyage, ventilez bien la cuisine pour éliminer les odeurs associées à l'auto-nettoyage. Les odeurs vont diminuer au fur et à mesure.
- La durée préprogrammée du nettoyage est de trois heures.
- Le mode s'arrête automatiquement à la fin des heures de nettoyage.
- Lorsque la température du four descend à une température plus sûre, le verrouillage automatique de la porte se déverrouille et la porte peut être ouverte.

Préparation du four pour l'auto-nettoyage

1. Enlevez tous les ustensiles et les plats.
2. Enlevez les grilles. Si vous laissez les grilles pendant l'auto-nettoyage, elles perdront définitivement leur brillant et deviennent sombres. Voyez le Tableau de nettoyage du four pour leur bon entretien, Pages 27 à 28.
3. Essuyez avec des serviettes en papier les résidus d'éclaboussure et d'huile. Les excès de graisse provoquent des flammes et de la fumée pendant l'auto-nettoyage.
4. Revoyez l'illustration ci-dessous. Certaines parties du four doivent être nettoyées à la main avant le début du cycle. Elles ne chauffent pas suffisamment pendant le cycle de nettoyage pour brûler. Utilisez une éponge savonneuse ou en plastique ou un tampon de détergent de S.O.S.®. Nettoyez à la main l'angle de la porte du four, le cadre avant du four et jusqu'à 1-1/2 po (2-3 cm) dans le cadre avec du détergent ou de l'eau chaude. Ne frottez pas le joint du four. Nettoyez à la main la fenêtre de la porte du four. Rincez tout et ensuite séchez.
5. Assurez-vous que les lumières intérieures sont éteintes et que les ampoules et les lentilles sont en place. Voyez les Page 30.

NETTOYAGE DU FOUR



Pour régler le mode auto-nettoyage

1. Appuyez sur la touche **UPPER/LOWER** pour choisir la cavité à nettoyer, si le four est double.
2. Tournez les deux boutons sur la position nettoyage.
3. CLEAN & TIME apparaîtront.
4. Le temps de nettoyage est affiché automatiquement, sa valeur standard est de 3 heures.
5. A la fin du temps de nettoyage programmé, le four va automatiquement s'éteindre.
6. Pour arrêter le mode nettoyage à tout moment, enlevez le ou les boutons de la position nettoyage.

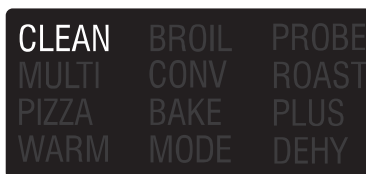
N'essayez pas d'ouvrir la porte lorsque la porte est verrouillée. Les écritures "AUTO LOCK" vont clignoter jusqu'à ce que le moteur s'arrête. Lorsqu'elles sont affichées, la porte ne peut pas être ouverte. Vérifiez que la porte a été verrouillée et qu'elle ne s'ouvrira pas avant le démarrage du mode auto-nettoyage.

Si la porte ne se verrouille pas, tournez le bouton de mode de cuisson sur la position ARRÊT et ne commencez pas l'auto-nettoyage ; Téléphonez pour un service.

Si la porte est en position ouverte lorsque ce mode est sélectionné, les écritures "AUTO LOCK" vont clignoter jusqu'à ce que la porte soit fermée. Le loquet ne bouge pas.

Pour changer le temps de nettoyage

1. Pour changer le réglage de 3 heures, sélectionnez moins d'heures lorsqu'il y a peu de résidus ou 4 heures lorsqu'il y a beaucoup de résidus immédiatement, après le début.
2. Pour changer les heures, effleurez la clé **TIME**.
3. Les heures vont clignoter.
4. Utilisez les clés **+** ou **-** pour changer la valeur.
5. Pour changer les minutes, effleurez la clé **TIME** à nouveau.
6. Les minutes vont clignoter.
7. Utilisez les clés **+** ou **-** pour changer la valeur. Maintenez la clé pour changer par étape de 10 minutes.
8. Effleurez **TIME** ou attendez quelques secondes pour confirmer la nouvelle valeur.

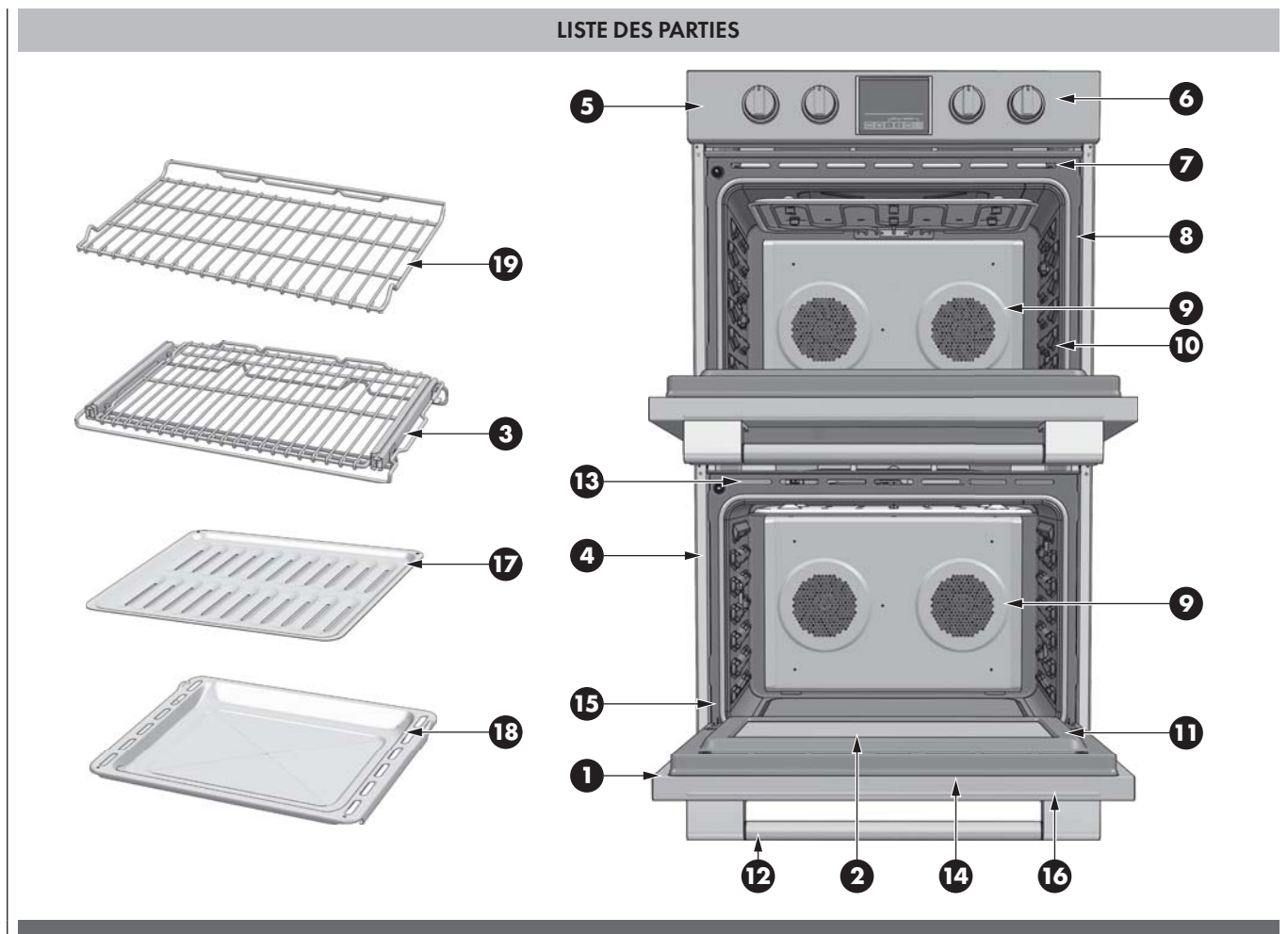
**Pour retarder le début du nettoyage**

1. Suivez les étapes de 1 à 7 ci-dessous.
2. Effleurez la clé **TIME** et vérifiez que "STOP TIME" apparaît sur l'affichage. Les heures vont commencer à clignoter.
3. Utilisez les clés **+** ou **-** pour changer la valeur de l'arrêt de l'horloge value.
4. Pour changer les minutes, effleurez la clé **TIME**, les minutes vont clignoter.
5. Utilisez les clés **+** ou **-** pour changer la valeur. Maintenez la clé pour changer par étape de 10 minutes.
6. Effleurez **TIME** ou attendez quelques secondes pour confirmer la nouvelle valeur.
7. Le loquet commence à se déplacer pour verrouiller la porte du four, l'affichage indique "DELAY".
8. Lorsque le delay horloge expire, l'autonettoyage va commencer.
9. A la fin du temps programmé de nettoyage, le four va automatiquement s'éteindre.
10. "End" va apparaître sur l'affichage de la température, "CLEAN" sur l'affichage de mode et "TIME" sur l'affichage de l'horloge va commencer à clignoter jusqu'à ce que vous touchiez la clé **TIME** ou que déplaçiez le bouton sur la position OFF.

Afin de vérifier le nettoyage ou l'heure d'arrêt pendant un nettoyage programmé, effleurez simplement la clé **TIME** jusqu'à ce que les écritures "TIME" ou "STOP TIME" s'affichent.

Comment utiliser le tableau de nettoyage du four

1. Repérez le chiffre de la partie à nettoyer dans l'illustration de cette page.
2. Trouvez le nom de cette partie dans le tableau.
 - Utilisez la méthode de nettoyage dans la colonne de gauche si le four est noir ou blanc.
 - Utilisez la méthode de nettoyage dans la colonne de droite si le four est en acier inoxydable.
3. Faites concorder le chiffre avec la méthode de nettoyage de la page suivante.



Pièce	Méthode de nettoyage		Pièce	Méthode de nettoyage	
	Four noir/blanc	Four acier inoxydable		Four noir/blanc	Four acier inoxydable
1 Cadre de porte	E	E	11 Porte de four intérieure	E	E
2 Fenêtre de porte intérieure	F	F	12 Poignée de porte	D	D
3 Grilles de four démontable	A or E	A or E	13 Ouvertures de refroidissement de la porte	E	E
4 Habillage latérale	D	D	14 Porte avant	C&D	C&G
5 Habillage du tableau de commande	C	G	15 Habillage du four	D	D
6 Tableau de commande	C	C	16 End caps	D	D
7 Oven Cooling Vent Ouvertures de refroidissement du four s	D	D	17 Grille de plat de gril	E	E
8 Cadre avant du four	E	E	18 Arrière de plat de gril	E	E
9 Cavité du four	E	E	19 Grille rallonge	A	A
10 Joint de maille	B	B			

Le four entier peut être nettoyé de façon sûre avec une éponge savonneuse, puis rincé et séché. Si des résidus excédentaires ne partent pas, suivez les méthodes de nettoyage ci-dessous.

- Utilisez toujours le chiffon le plus doux possible.
- Frottez les finitions en métal dans la direction du grain.
- Utilisez des chiffons, des éponges ou des tissus en papier doux et propres.
- Rincez le tout avec un minimum d'eau pour qu'elle ne coule pas dans les fentes de la porte.
- Essuyez pour éviter les traces d'eau.

Les nettoyeurs dans la liste ci-dessous indiquent les types de produits à utiliser ne sont qu'à titre indicatif. Utilisez tous les produits selon les indications de l'emballage.

Pièce		Méthode de nettoyage
A	Chromé	Lavez avec de l'eau chaude savonneuse. Rincez et séchez soigneusement. Ou, frottez légèrement avec du Soft Scrub®, Bon-Ami®, Comet®, Ajax®, Brillo®, ou les chiffons S.O.S.®. Les nettoyeurs Easy Off® ou Dow Oven Cleaners® (formule four froid) peuvent être utilisés, mais ils peuvent noircir ou décolorer le chromé. Les grilles peuvent être nettoyées dans le four pendant l'auto-nettoyage. Cependant, elles vont perdre leur brillant et devenir grises de façon permanente.
B	Tressage en fibre de verre	NE NETTOYEZ PAS LE JOINT A LA MAIN.
C	Verre	Vaporisez du Windex® ou du Glass Plus® d'abord sur le chiffon, ensuite essuyez pour nettoyer. Utilisez du Fantastik® ou du Formula 409® pour enlever les éclaboussures de graisse.
D	Peint	Nettoyez avec une eau savonneuse ou appliquez du Fantastik® ou du Formula 409® d'abord sur une éponge propre ou sur des feuilles en papier et essuyez pour nettoyer. Évitez d'utiliser des nettoyeurs en poudre ou des tampons métalliques à récurer.
E	Porcelaine	Essuyez immédiatement les éclaboussures acides comme les jus de fruit, le lait, les tomates avec un chiffon sec. N'utilisez pas d'éponge/chiffon humide sur de la porcelaine chaude. Lorsqu'elle est froide, nettoyez avec de l'eau chaude savonneuse ou appliquez du Soft Scrub® ou du Bon-Ami® sur une éponge humide. Rincez et séchez. Pour les tâches récalcitrantes, utilisez doucement du Brillo®, ou les chiffons S.O.S.®. Il est normal que la porcelaine se craquelent très légèrement (de fines lignes) avec l'âge à cause des expositions à la chaleur et aux résidus alimentaires.
F	Verre réfléchissant	Nettoyez avec de l'eau chaude savonneuse ou un nettoyeur en plastique. Frottez vigoureusement avec du vinaigre, du Windex®, de l'ammoniac, ou du Bon-Ami®. N'UTILISEZ PAS D'ABRASIFS FORTS.
G	Acier inoxydable	Essuyez toujours avec un chiffon ou un nettoyeur avec grain. Nettoyez avec une éponge savonneuse ensuite rincez et séchez. Ou essuyez avec du Fantastik® ou du Formula 409® vaporisé sur des feuilles en papier. Protégez ou polissez avec du Stainless Steel Magic® et un chiffon doux. Enlevez les taches d'eau avec un chiffon imbibé de vinaigre blanc. Utilisez du Zud®, Cameo®, Bar Keeper's Friend® ou RevereWare Steel Cleaner®, pour enlever la décoloration due à la chaleur.
H	Sonde (si existe)	Nettoyez la sonde à la main avec un détergent et de l'eau chaude. Ensuite rincez et séchez. Ne la trempez pas ou ne la mettez pas au lave-vaisselle.

AVERTISSEMENT

- Assurez-vous que le four est froid et qu'il est bien éteint avant d'enlever la porte sinon vous pouvez vous électrocuter ou vous brûler.
- La porte du four est lourde et fragile. Utilisez vos deux mains pour enlever la porte du four. Le devant est en verre. Le devant de la porte est un verre dont à quatre 4 cadres.
- Ne saisissez que les côtés de la porte du four.
- Ne saisissez pas la poignée car elle pourrait glisser et provoquer des dégâts ou vous blesser.
- Si vous ne tenez pas la porte du four de façon sûre et correctement, cela pourrait provoquer des dégâts ou blesser des gens.

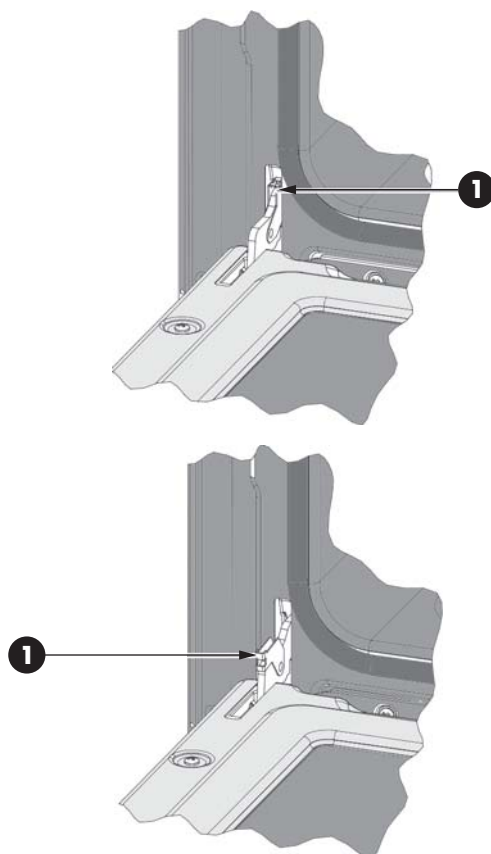
Pour enlever la porte

1. Ouvrez la porte complètement.
2. Retournez le clip de sécurité de la charnière sur chaque charnière dans votre direction (1).
3. Tenez la porte fermement des deux côtés des deux mains et fermez-la jusqu'à ce qu'elle s'arrête au niveau de la goupille de sécurité.
4. Maintenez fermement ; la porte est lourde. Soulevez et tirez vers vous - vous devrez peut-être jouer un peu pour que les charnières se dégagent de la structure du four.
5. Placez la porte dans un endroit approprié.

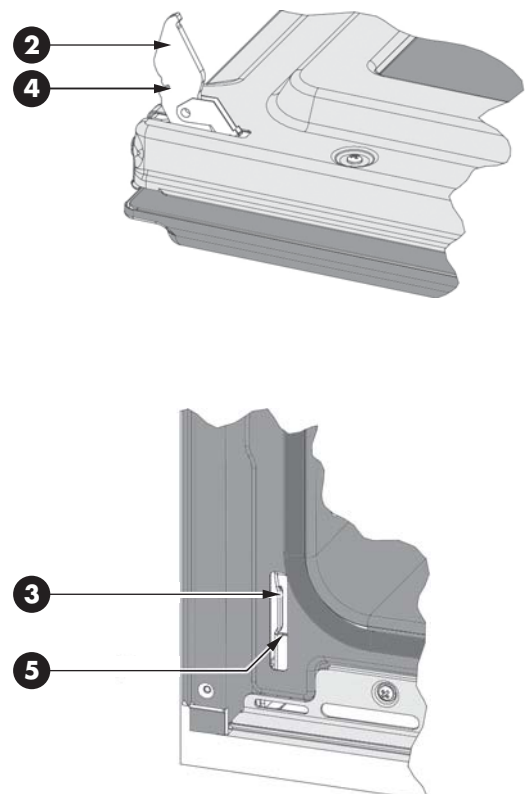
Pour remettre la porte

1. Insérez les bras supérieurs (2) des deux charnières dans les fentes (3). Les enfoncements (4) doivent s'accrocher aux lèvres (5).
2. Remettez les clips de sécurité (1) en position. Si les clips de sécurité ne peuvent pas être facilement déplacés vers leur position de fonctionnement normale, c'est-à-dire si les clips se heurtent à la structure, c'est que la porte n'est pas correctement installée. Retirez les clips de sécurité et essayez de réinstaller la porte : vous la sentirez glisser légèrement lorsque les charnières s'engagent correctement dans la structure.
3. Fermez et ouvrez la porte doucement pour assurer qu'elle est correctement bien en place.

POUR ENLEVER LA PORTE



POUR REMETTRE LA PORTE



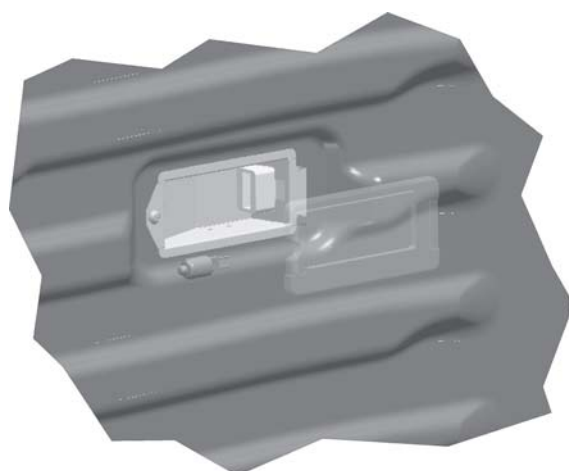
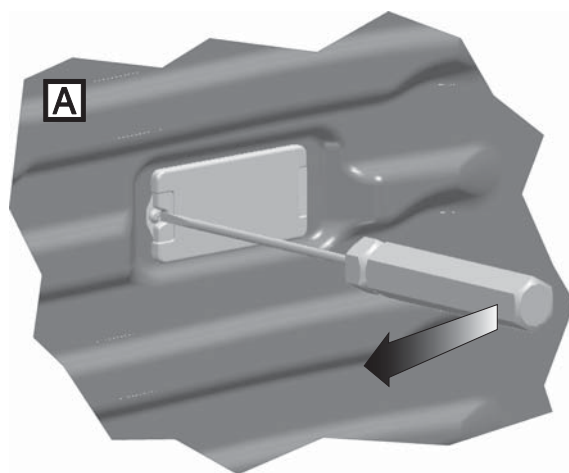
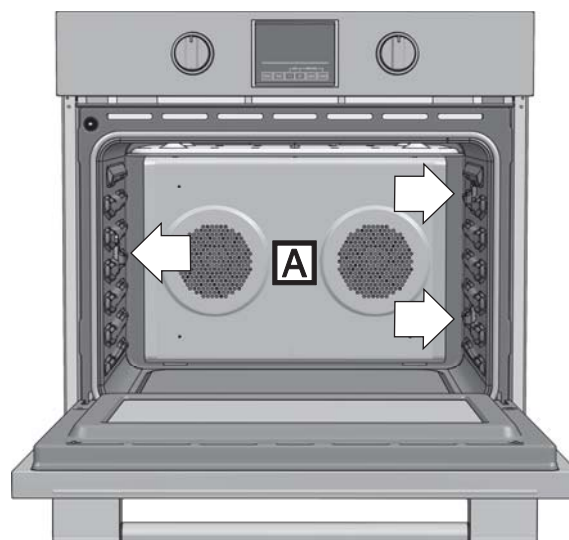
- Chaque four est équipé de lumières halogènes situées sur les parois latérales du four.
- Les lumières s'allument lorsque la porte est ouverte ou lorsque le four est dans un cycle de cuisson.
- Les lumières du four ne s'allument pas pendant l'AUTO - NETTOYANT.
- Chaque assemblage d'éclairage comprend une lentille amovible, une lampe à incandescence ainsi qu'une boîte de douille qui sont fixés. Voyez l'illustration de cette page.
- Le remplacement de l'ampoule est considéré comme un entretien de routine.

Pour remplacer une ampoule

1. Lisez les AVERTISSEMENTS de cette page.
2. Coupez l'alimentation à la source principale (fusible ou disjoncteur).
3. Dans les fours à convection, enlevez le couvercle du ventilateur en dévissant les quatre vis.
4. Enlevez les lentilles à changer entre la vis et le verre en utilisant un tournevis.
5. Enlevez l'ampoule de sa douille en la tirant.
6. Remplacez l'ampoule avec une nouvelle. Évitez de toucher l'ampoule avec vos doigts, car la graisse des mains peut endommager l'ampoule lorsqu'elle devient chaude.
7. L'ampoule est halogène: n'utilisez que le même type en vérifiant les volts et les watts.
8. Vissez la lentille.
9. Remplacez le couvercle du ventilateur si le four en est pourvu.

Rebranchez l'alimentation principale à la source principale (fusible ou disjoncteur).

LUMIÈRES DU FOUR



AVERTISSEMENT

- Assurez-vous que le four et que les lumières sont froides et que le four est bien éteint avant de remplacer les ampoules. Sinon vous risquez de vous électrocuter ou de vous brûler.
- Les lentilles doivent être remises en place lorsque vous utilisez le four.
- Les lentilles servent à protéger l'ampoule pour qu'elle ne se casse pas.
- Les lentilles sont en verre. Manipulez-les avec précaution pour éviter de les casser. Les verres cassés peuvent blesser.

Avec la cuisson comme la cuisson à convection, des problèmes de cuisson peuvent arriver pour de nombreuses raisons autre qu'un mauvais fonctionnement du four. Vérifiez le tableau ci-dessous qui répond à la plupart des problèmes communs. Etant donné que la taille, la forme et le matériel de cuisson affectent les résultats de la cuisson, la meilleure solution est de remplacer les vieux plats qui sont devenus sombres et qui se sont voilés avec le temps et leur utilisation. Vérifiez les tableaux de cuisson de la page 17 à 22 pour une position correcte des grilles et du temps de cuisson.

Problème de cuisson	Cause
Aliment brunissant de façon hétérogène	<ul style="list-style-type: none"> - Four non préchauffé - Papier aluminium sur la grille ou au fond du four - Plat de cuisson trop grand pour la recette - Plat touchant aux autres plats ou la paroi du four
Aliment trop brun au fond	<ul style="list-style-type: none"> - Four non préchauffé - Utilisation de plat en verre, mat ou foncé - Position de grille incorrecte - Plat touchant aux autres plats ou la paroi du four
Aliment sec ou ayant excessivement rétréci	<ul style="list-style-type: none"> - Température du four trop élevée - Temps de cuisson trop long - Porte du four trop souvent ouverte - Plat trop grand
Aliment cuisant ou rôtissant trop lentement	<ul style="list-style-type: none"> - Température du four trop basse - Four non préchauffé - Porte du four trop souvent ouverte - Scellé hermétiquement avec du papier aluminium - Plat trop petit
Croûte à tarte non brunie au fond ou croûte non cuite	<ul style="list-style-type: none"> - Temps de cuisson pas assez long - Utilisation de plat en acier brillant - Position de grille incorrecte - Température du four trop basse
Gâteau pâle, plat, ou non cuit à l'intérieur	<ul style="list-style-type: none"> - Température du four trop basse - Temps de cuisson incorrect - Gâteau vérifié trop tôt - Porte du four trop souvent ouverte - Plat trop grand
Gâteau haut au centre avec craquelure sur le dessus.	<ul style="list-style-type: none"> - Température du four trop élevée - Temps de cuisson trop long - Plat touchant aux autres plats ou la paroi du four - Position de grille incorrecte - Plat trop petit
Bords de croûte de tarte trop bruns	<ul style="list-style-type: none"> - Température du four trop élevée - Bords de croûte trop minces

Avant d'appeler un dépannage, vérifiez ce qui suit pour éviter des charges de dépannage non nécessaires.

Problème de four	Solution des problèmes par étape
Erreur F03 ou F04 figurant à l'affichage	Il y a un problème avec le loquet de verrouillage. Eteignez le four et le rallumez après quelques secondes. Le four va effectuer un auto-test de loquet. Si le problème persiste, notez le code d'erreur et téléphonez au centre de service agréé.
Autre erreur F _____ figurant à l'affichage	Eteignez l'appareil et rallumez-le après quelques secondes. Si le problème persiste, notez le code d'erreur et téléphonez au centre de service agréé.
Le display du four ne s'éteint pas	Coupez l'alimentation à la source principale (fusible ou disjoncteur). Remettez le disjoncteur. Si le problème persiste, téléphonez au centre de service agréé.
Ventilateur de refroidissement continuant à fonctionner une fois le four éteint	Le ventilateur s'éteint automatiquement lorsque les composants électroniques sont suffisamment froids.
La porte est verrouillée et ne s'ouvre pas même après le refroidissement	Eteignez le four avec le disjoncteur et attendez quelques secondes. Remettez le disjoncteur. Le four devrait se régler seul et devrait fonctionner.
Le four ne chauffe pas	Vérifiez le disjoncteur et les fusibles de chez vous. Vérifiez que la température du four est correctement sélectionnée.
Le four ne cuit pas uniformément	Vérifiez l'étalonnage du four. Réglez l'étalonnage si nécessaire (reportez-vous au Décalage du four, Page 12). Reportez-vous aux tableaux de cuisson pour la position des grilles recommandée. Réduisez toujours votre recette de 25 °F (15 °C) lorsque vous cuisinez avec le mode de cuisson à convection.
La température four est trop froide ou trop chaude	Le thermostat du four doit être réglé. Voyez Etalonnage de la température du four, Page 12.
L'éclairage du four ne fonctionne pas correctement	Remplacez ou réinsérez l'ampoule si elle est desserrée ou en panne. Voyez Page 30. Ne touchez pas l'ampoule avec vos doigts car cela peut la faire griller.
L'éclairage du four ne s'éteint pas	Vérifiez si rien n'obstrue la port du four. Vérifiez si la charnière n'est pas pliée ou que le loquet n'est pas verrouillé.
Impossibilité d'enlever le couvercle de la lentille du four	Il se peut qu'il y ait une accumulation de saleté autour du couvercle de la lentille. Essayez-le avec un chiffon sec et propre avant d'essayer d'enlever le couvercle de la lentille.
L'auto-nettoyage du four ne fonctionne pas correctement	Laissez le four refroidir avant l'auto-nettoyage. Essuyez toujours les résidus ou les éclaboussures avant l'auto-nettoyage. Si le four est vraiment sale, réglez l'auto-nettoyage sur 4 heures. Voyez Préparation du four pour l'auto-nettoyage, Page 25.
La pendule et la minuterie ne fonctionnent pas correctement	Assurez-vous que le four est bien branché. Voyez Pendule et minuterie, Page 11.
Humidité excessive	Lorsque vous utilisez le mode cuisson, préchauffez d'abord le four. La cuisson à convection et le rôtissage à convection éliminent l'humidité du four (c'est un des avantages de la convection).
Eclats de porcelaine	Lorsque vous enlevez et remplacez les grilles, inclinez-les toujours vers le haut et ne forcez pas pour éviter les éclats de porcelaine.

Données de service

Pour un centre de service autorisé ou de l'information sur les pièces, voir le paragraphe « Fulgor Warranty .. ».

L'emplacement du numéro de série sur le produit est visible sur la porte du four lorsque la porte du four est ouverte. Il est situé du côté gauche, centré verticalement juste en dessous de la cavité du four. Voyez Page 40. Notez cette information dans l'espace prévu à cet effet ci-dessous. Gardez votre facture pour la validation de votre garantie.

Service Data Record

Numéro de modèle _____

Numéro de série _____

Date d'installation ou Occupancy _____

TABLE OF CONTENTS	PAGE
1 - Electrodoméstico y horno Precauciones de seguridad	2
Precauciones de seguridad para el horno	3
Precauciones de seguridad para la autolimpieza del horno	3
2 - Electrodoméstico y horno Instrucciones de seguridad	3
3 - Cocinar con hornos de convección	4
4 - Características de su Horno	5
5 - Paneles de control	6
Mandos	6
Pantallas	6
Selectores	6
6 - Modos del horno	7
7 - Generalidades del horno	8
8 - Consejos generales para el horno	9
Rejillas del horno	9
La rejilla extensible	10
9 - Configurar el reloj y el temporizador	11
Para configurar la hora	11
Para configurar el temporizador (timer)	11
10 - Selección de los modos del horno	12
Para configurar el modo de cocinar y temperatura	12
Uso de la tecla MENU para seleccionar las funciones de temperatura baja	12
Uso de las lámparas del horno	12
11 - Modos cronometrados de cocinar	13
Para configurar el modo cronometrado	13
Para retardar el inicio de un modo temporizado	13
Con un modo temporizado activo	13
Cómo comprobar un valor de tiempo	13
12 - Establecimiento de las opciones de la sonda para carne	14
13 - Consejos y técnicas de horneado	15
Directrices generales	15

TABLE OF CONTENTS	PAGE
14 - Consejos y técnicas de horneado de convección	16
Tabla de horneado de convección	17
15 - Consejos y técnicas de grill de convección	18
16 - Consejos y técnicas del asado de convección	20
17 - Consejos y técnicas de deshidratado	21
18 - Consejos y técnicas del asado	22
19 - Características especiales	23
20 - Instrucciones del modo sábado	24
21 - Cuidado y limpieza del horno	25
Autolimpieza del horno	25
Antes de la autolimpieza	25
22 - Configuración del modo de Autolimpieza	26
Para configurar el modo de autolimpieza	26
Para cambiar el tiempo de limpieza	26
Para retardar el inicio de la limpieza	26
23 - Cuidado general del horno	27
Cómo usar la tabla de la limpieza del horno	27
Tabla de limpieza	27
24 - Acabados del horno / métodos de limpieza	28
25 - Operaciones de mantenimiento que puede hacer usted mismo Quitar la puerta del horno	29
Para quitar la puerta	29
Para volver a colocar la puerta	29
26 - Cambiar una lámpara del horno	30
Para reemplazar la bombilla	30
27 - Resolución de los problemas de horneado	31
28 - Resolución de los problemas de funcionamiento	32



INSTRUCCIONES IMPORTANTES

Electrodoméstico y cocinas

Por favor, lea todas las instrucciones antes de utilizar este aparato.



ADVERTENCIA

Su nuevo horno se ha diseñado para ser un aparato seguro y fiable si se usa de la manera apropiada. Lea atentamente todas las instrucciones antes de utilizar este aparato. Estas precauciones reducirán los riesgos de sufrir quemaduras, descargas eléctricas, fuego y lesiones. Cuando se utilizan aparatos de cocina es preciso seguir algunas precauciones básicas de seguridad, incluyendo las siguientes:

Un técnico cualificado tiene que instalar correctamente este aparato y realizar una buena puesta a tierra. Conecte solo a una puesta a tierra apropiada. Vea las instrucciones de Conexión de puesta a tierra que se encuentran en las Instrucciones de Instalación.

- Solo un técnico calificado debe dar el servicio a este aparato. Póngase en contacto con el centro de servicio autorizado más cercano para la inspección, reparación y ajustes.
- No repare o reemplace ninguna parte del horno a menos que le haya sido recomendado específicamente. Solicite el servicio de un centro autorizado.
- No utilice esta unidad si no funciona bien o si está dañada hasta que un técnico del servicio autorizado la haya inspeccionado.
- Instale o coloque este aparato de acuerdo con las instrucciones de instalación.
- Use este horno solo para lo que lo ha concebido su fabricante. Si tiene alguna duda, contacte con él. No cubra ni bloquee las aberturas de este aparato.
- Use este aparato solo para el uso que ha sido concebido como se describe en este manual. No use productos químicos corrosivos, vapores, productos inflamables o no alimenticios en este aparato. Este tipo de horno ha sido diseñado específicamente para calentar o cocinar alimentos. No está diseñado para uso industrial o de laboratorio. El uso de productos químicos corrosivos cuando calienta o limpia el horno dañará el aparato.
- En el caso de encenderse la ropa o el cabello, **ÉCHESE AL PISO y DESE VUELTAS DE INMEDIATO** para apagar las llamas.
- No permita que los niños utilicen este aparato sin la supervisión de un adulto. Los niños y animales domésticos no deben quedarse solos cerca del horno cuando se está utilizando el aparato. No permita nunca que los niños se sienten o se pongan de pie sobre ninguna parte del horno.



PRECAUCIÓN

- No deje cosas que puedan atraer la atención de los niños encima del horno. Si se suben al horno para alcanzar estas cosas podrían sufrir graves daños.

Para reducir el riesgo de fuego en el interior del horno:

1. No guarde materiales inflamables en el interior o cerca del horno.
2. No use agua cuando se produce un incendio de grasa. Apague el fuego con un extintor químico de polvo o espuma.
3. Se recomienda tener un extintor a mano y muy a la vista cerca de cualquier electrodoméstico, que se pueda usar rápidamente.
4. No recueza demasiado los alimentos. Vigile el horno con cuidado cuando utiliza materiales de papel, plástico u otros materiales combustibles.
5. No utilice el horno para almacenar cosas. Nunca deje productos de papel, utensilios de cocina o alimentos en su interior cuando no se usa.
6. En caso de que se enciendan materiales dentro del horno, mantenga cerrada la puerta. Apague el horno y desconecte el circuito en la caja del cortacircuito.
7. No obstruya los conductos de ventilación del horno.
8. Asegúrese de que funciona el ventilador cuando el horno está funcionando. En caso contrario no utilice el horno. Llame a un centro de servicio autorizado.
9. Nunca utilice el horno para calentar una habitación. Esto podría dañar partes del horno.
10. Use ropa apropiada por cuestión de seguridad. Nunca use prendas sueltas o que tengan mangas largas mientras utiliza este aparato.

Precauciones de seguridad para el horno

- Mantenga recogido el cabello largo.
- No toque elementos de calentamiento o superficies internas del horno.
- Los elementos de calentamiento podrían estar calientes incluso si presentan un color oscuro. Las superficies internas del horno podrían estar lo suficientemente calientes como para causar quemaduras.
- Durante y después del uso, no permita que la ropa u otros materiales inflamables entren en contacto con los elementos de calentamiento o con las superficies internas del horno hasta que no se hayan enfriado. suficiente para provocar quemaduras. Estas superficies son por ejemplo, las aperturas de ventilación del horno y las superficies situadas a proximidad de estas aperturas, las puertas del horno y las ventanas de las puertas del horno.
- La moldura de la parte superior y de los lados de la puerta del horno podría estar lo suficientemente calientes como para provocar quemaduras.
- Tenga cuidado cuando abra la puerta del horno.
- Abra la puerta ligeramente para dejar escapar el aire o el vapor caliente antes de sacar los alimentos.
- No caliente recipientes de alimentos cerrados. La presión acumulada podría hacer reventar el recipiente o provocar lesiones.
- Coloque siempre las rejillas del horno en el lugar deseado mientras el horno esté frío. Si tiene que mover una rejilla cuando el horno está caliente, evite el contacto del asa de la olla con los elementos calientes.
- Use siempre asas secas para las ollas. Las asas mojadas o húmedas sobre superficies calientes pueden provocar quemaduras por el vapor. Evite el contacto de las asas con los elementos de calentamiento. No use toallas o trapos voluminosos.

Precauciones de seguridad para la autolimpieza del horno

- Confirme que la puerta se cierra y que no se abre un vez que ambas perillas están en la posición de LIMPIEZA y aparece el icono de puerta cerrada. Si la puerta no estuviera cerrada, gire el selector de modo de cocción en OFF y no ejecute la autolimpieza. Llame al número del Servicio.
- No limpie los empaques de la puerta. Es esencial para un buen sellado. Preste atención a no frotar, dañar, mover o quitar el empaque de la puerta.
- No use detergentes comerciales para hornos o recubrimientos de protección de ningún tipo por encima o alrededor de cualquier parte del horno.
- Limpie solo las partes del horno que aparecen listadas en este manual.
- Quite la bandeja de asado, las rejillas del horno, los otros utensilios y limpie los derrames excesivos de alimentos antes de autolimpiar el horno.



ADVERTENCIA

La Ley del Estado de California respecto al Agua Potable y Tóxicos requiere que las empresas adviertan a sus clientes de la exposición potencial ante sustancias conocidas que provocan cáncer, defectos de nacimiento u otros daños de reproducción.

La eliminación de residuos durante la autolimpieza genera algunos derivados que están en esta lista de sustancias.

Para reducir la exposición a estas sustancias, siempre haga funcionar este horno siguiendo las instrucciones de este manual y ventile la cocina durante e inmediatamente después de la autolimpieza.

En un horno convencional, las fuentes de calor se encienden y se apagan para mantener una temperatura media en la cavidad del horno. Debido a que la temperatura aumenta y disminuye gradualmente, se producen ligeras corrientes de aire en el interior del horno. Esta convección natural tiende a ser ineficaz, ya que las corrientes son irregulares y lentas. En este sistema de convección, el calor se "transmite" mediante un ventilador que proporciona circulación continua de aire caliente.

Este sistema de convección europeo proporciona una ingeniería de vanguardia y un diseño avanzado para crear el más sofisticado horno de convección. En los hornos de convección estándar, un ventilador simplemente hace circular el aire caliente alrededor de los alimentos. El sistema se caracteriza por la combinación de un elemento de calentamiento adicional situado alrededor del ventilador de convección y el panel de ventilación que distribuye el aire caliente en tres dimensiones: a lo largo de los laterales, la parte superior y el fondo de la cavidad del horno. Este sistema de convección europeo ayuda a que la temperatura del horno se mantenga más uniforme a lo largo de la cavidad del horno.

El aire circulante ayuda a agilizar el proceso de cocción y cocina los alimentos de forma más uniforme. Al controlar el movimiento de aire caliente, la cocción por convección produce alimentos uniformemente dorados que están crujientes en su exterior, aunque jugosos en su interior. La cocción por convección funciona mejor para pan y pastas, así como para carnes y aves. Los alimentos que se elevan con aire, como los bollos de crema, los suflés y los merengues suben más que en un horno convencional. Las carnes quedan jugosas y tiernas a la vez que en su exterior están sabrosas y crujientes.

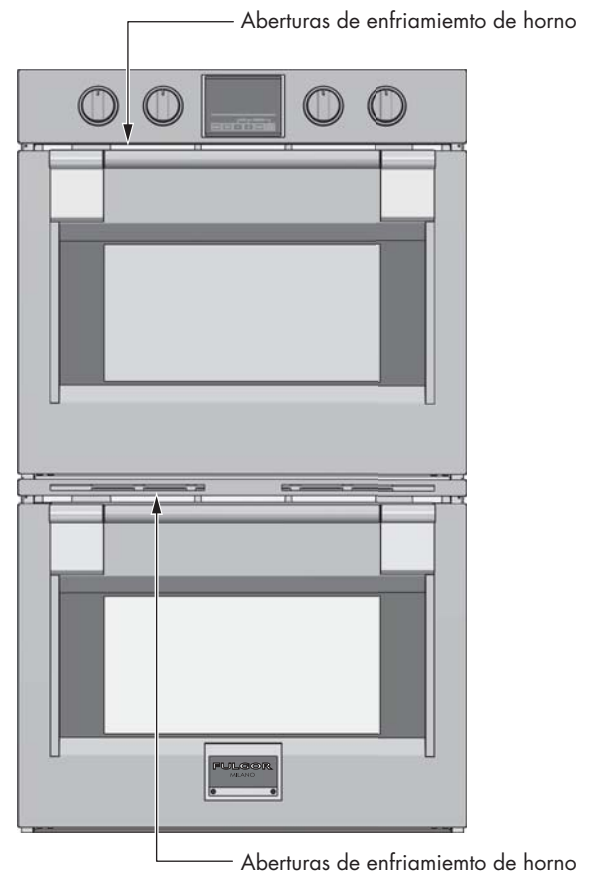
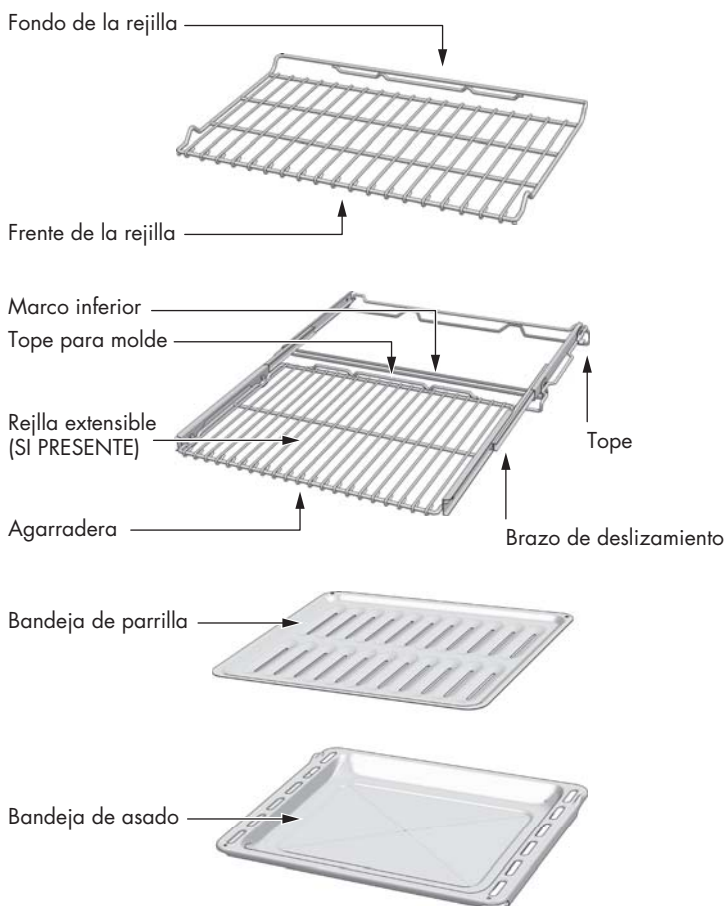
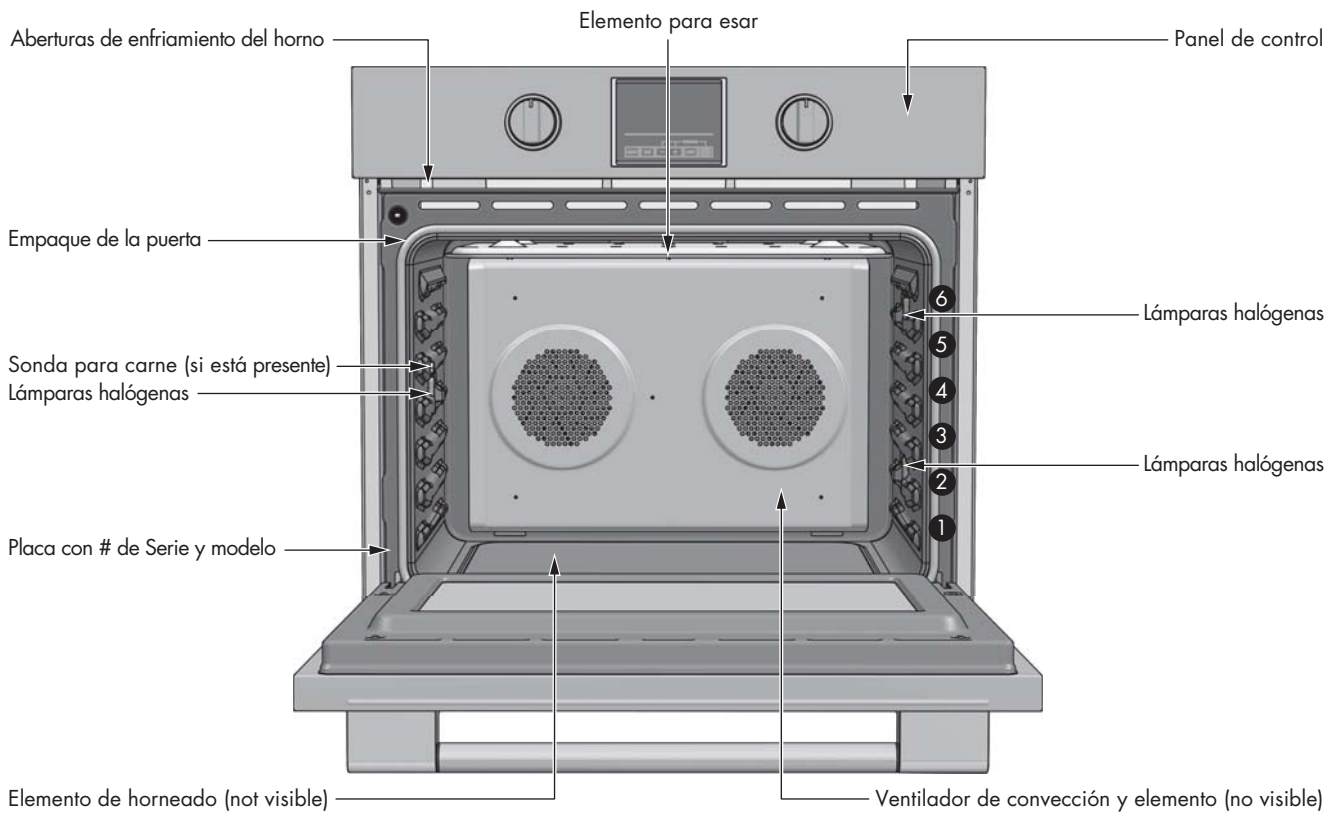
Al utilizar el sistema de convección europeo, es posible cocinar los alimentos a más baja temperatura y reducir los tiempos de cocción. Al utilizar este modo, la temperatura estándar del horno deberá reducirse en 25 F (15 C).

Los alimentos que necesiten menos tiempo de cocción deberán comprobarse un poco antes de lo normal. Para conseguir los mejores resultados, los alimentos deben cocinarse destapados y en recipientes con bordes bajos para sacar partido de la circulación forzada de aire. Al utilizar el modo de asado por convección, no es necesario reducir la temperatura estándar del horno.

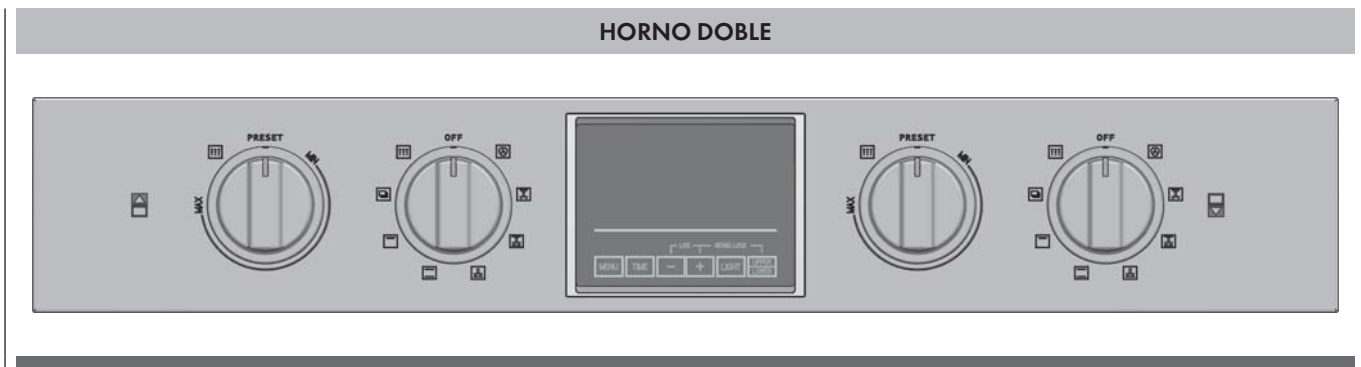
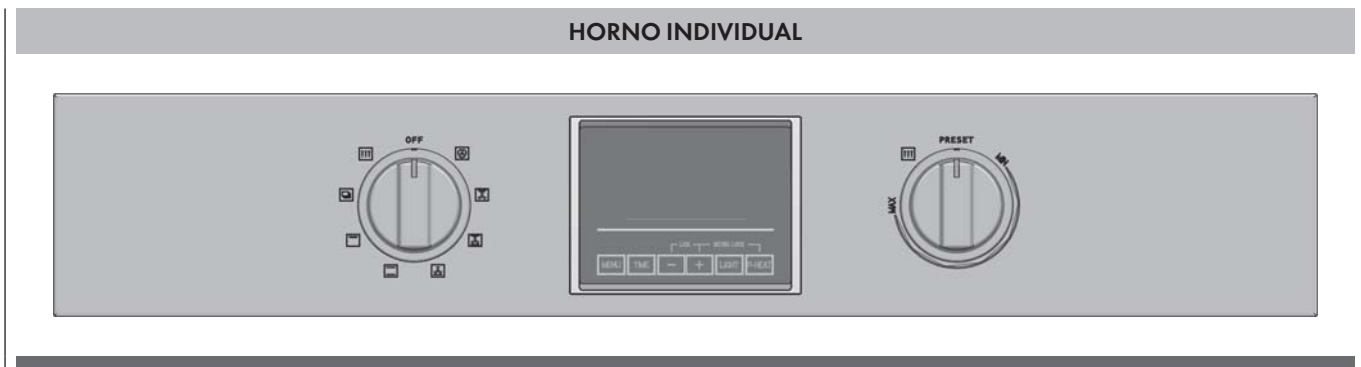
Ventajas de cocinar por convección

- Incluso horneando, se logran alimentos dorados y crujientes.
- Durante el asado, los jugos y aromas quedan sellados en el interior mientras que el exterior es crujiente.
- La masa de levadura es más ligera, presentan una textura más uniformes, más dorados y crujientes.
- Los alimentos que suben mucho como los bollos de crema, los suflés, merengues se elevan más y son más ligeros.
- Es posible cocinar al mismo tiempo con múltiples rejillas sin transferir el sabor con buenos resultados.
- Cocinar con múltiples rejillas ahorra tiempo.
- Prepara comidas completas de una sola vez sin transferir los sabores.
- Verduras deshidratadas, frutas y vegetales.
- No precisa moldes para horneados especiales.
- Ahorra tiempo y energía.
- La convección que asa permite el asado a la parrilla extraordinario con cortes más gruesos del alimento.

CARACTERÍSTICAS DE SU HORNO



La interfaz del usuario tiene las siguientes características: pantalla, indicadores luminosos de precalentamiento, interruptores de control, perillas de modo de cocción y temperatura.



Mandos	
	Toque esta tecla para activar funciones especiales o modos de temperatura baja, o para acceder al menú especial.
	Toque esta tecla hasta que aparezca "SET TIME" para configurar o cambiar la hora del día. Toque esta tecla hasta que aparezca "TIMER" para configurar, modificar o borrar el valor del minuterero. Una vez seleccionada una función de cocción, toque esta tecla hasta que aparezca "TIME" para configurar, modificar o cancelar la hora de cocción. Toque esta tecla hasta que aparezca "STOP TIME" para configurar, modificar o cancelar el final del tiempo cocción. Una vez que se haya activado uno de los modos anteriores y parpadeen sus dígitos, toque o mantenga pulsada:
	La tecla para disminuir el valor.
	La tecla para aumentar el valor.
	Toque esta tecla para cambiar el estado de la luz del horno.
	Una vez seleccionada una función de cocción, toque esta tecla para activar el modo de precalentamiento rápido. El precalentamiento rápido no está disponible para todas las funciones.
	Toque esta tecla para seleccionar la cavidad superior si no se ha seleccionado ninguna. Si ya se ha seleccionado una de las dos, toque esta tecla para cambiar a la otra.

Pantallas

Pantalla central para la hora y las distintas funciones:

Para la hora del día, el minuterero o la cocción automática. También aparece la indicación AM/PM. Las distintas indicaciones también están disponibles para mostrar qué cavidad está seleccionada actualmente y si alguna puerta se ha bloqueado automáticamente para la autolimpieza o el usuario la ha bloqueado manualmente.

Pantalla para las indicaciones de temperatura:

Aparece la indicación de unidad de temperatura (°C o °F). Muestra el valor de temperatura establecido para el modo de cocción actual en la cavidad seleccionada.

Pantalla con indicaciones para la indicación de modos de cocción para indicar qué función se ha seleccionado.

Selectores

Selector de modo de cocción (multifunción), con ocho modos de cocción + posición de apagado.

Selector de temperatura con posiciones de valor preestablecido y limpieza + intervalo continuo entre los valores mínimo y máximo.

Las siguientes ilustraciones dan una vista general de lo que sucede en el horno en cada modo de ajuste. Las flechas representan la posición de la fuente de calor durante cada uno de los modos. Los elementos inferiores están ocultos bajo el piso inferior.

TIPOS DE CAVIDADES		
<p>Horneado de convección (CONV BAKE)</p>	<p>Horneado (BAKE)</p>	<p>Deshidratado (CONV DEHY)</p>
<p>Temperatura establecida: de 170 °F (75 °C) a 550 °F (290 °C) (posición preestablecida en 325 °F (165 °C))</p> <p>El horno de convección cocina con calor desde uno o más elementos de anillo detrás de la pared posterior del horno. Este calor circula a través del horno por medio de un ventilador de convección.</p>	<p>Temperatura establecida: de 170 °F (75 °C) a 550 °F (290 °C) (preset position 350 °F (175 °C))</p> <p>Hornear es cocinar con aire seco, caliente. Tanto el elemento superior como el inferior se encienden en ciclos para mantener la temperatura del horno.</p>	<p>Temperatura establecida: de 120 °F (50 °C) a 160 °F (70 °C) (posición preestablecida en 140 °F (60 °C))</p> <p>El deshidratado es similar al cocinado de convección y soporta una baja temperatura óptima mientras circula el aire seco caliente para quitar la ligera humedad para conservar los alimentos.</p>
<p>Asado de convección (CONV BROIL)</p>	<p>Broil (BROIL)</p>	<p>Pizza (PIZZA)</p>
<p>Temperatura establecida: de 170 °F (75 °C) a 550 °F (290 °C) (posición preestablecida en 450 °F (230 °C))</p> <p>El Asado de convección combina el calor intenso del elemento superior con el aire que circula por medio del ventilador de convección.</p>	<p>Temperatura establecida: de L1 a L5 (preset position L3)</p> <p>El Asado usa el calor intenso que radia el elemento superior.</p>	<p>Temperatura establecida: de 170 °F (75 °C) a 550 °F (290 °C) (posición preestablecida en 450 °F (232 °C))</p> <p>Es un modo de cocción especial con aire caliente. Los elementos inferiores se encienden para cocinar pizza.</p>
<p>Grill de convección (CONV ROAST)</p>	<p>Proof (WARM)</p>	<p>Defrost (CONV)</p>
<p>Temperatura establecida: de 170 °F (75 °C) a 550 °F (290 °C) (posición preestablecida en 325 °F (165 °C))</p> <p>El Grill de Convección usa el calor de los elementos superiores e inferiores, así como el calor del ventilador de convección.</p>	<p>Temperatura establecida: de 80 °F(25 °C) a 120 °F(50 °C) (posición preestablecida en 100 °F (35 °C))</p> <p>Warming (WARM PLUS) Temperatura establecida: de 130 °F (55 °C) a 210 °F (100 °C) (posición preestablecida en 170 °F (75 °C))</p> <p>Los modos de calentamiento y calentamiento adicional utilizan los elementos inferiores para mantener calientes los alimentos.</p>	<p>No se utiliza ningún elemento de calentamiento, únicamente el ventilador de convección para descongelar alimentos.</p>

Antes de utilizar el horno por primera vez, retire todo el embalaje y los materiales no pertenecientes al horno o los hornos. Cualquier material de este tipo que se deje en el interior podría fundirse o arder al utilizar el aparato.

Caliente el electrodoméstico vacío a la temperatura máxima para eliminar cualquier residuo de la fabricación que pueda afectar a los alimentos con olores desagradables.

Símbolos parpadeantes o Números

Indica una acción incompleta que está en curso (bloqueo de la puerta, precalentamiento, etc.) o una configuración incompleta que requiere otra entrada.

Pitidos

Los pitidos señalan que hay que introducir más información o confirman que se aceptó la entrada. Los pitidos también señalan el final de una función o un error del horno.

Cierre de seguridad de la puerta

Se muestra de forma continua al bloquear la puerta. El símbolo parpadea cuando el pestillo está en movimiento para bloquear o desbloquear la puerta. No intente abrir la puerta en este momento. La puerta se podrá abrir cuando el símbolo deje de aparecer. "AUTO LOCK" aparece cuando la puerta se ha bloqueado automáticamente debido al modo de autolimpieza.

"USER LOCK" se muestra cuando la puerta ha sido bloqueada manualmente por el usuario, por ejemplo, para evitar que los niños tengan libre acceso a la cavidad del horno.

Mantenga pulsadas las teclas **+** y **-** durante 3 segundos. El pestillo bloqueará la puerta. Repita la misma operación para desbloquear.

Bloque del teclado

Mantenga pulsadas las teclas indicadas con "KEYBD. LOCK" durante 3 segundos. Los controles estarán entonces bloqueados y en la pantalla aparecerá escrito "SENS LOCK" cada vez que toque una tecla. Repita la misma operación durante 3 segundos para desbloquear.

Error de apagón

Cuando vuelva la corriente, la pantalla del reloj marcará las 12.00^{AM}.

Ajustes por defecto

Los modos de cocción seleccionan una temperatura apropiada cuando el selector se encuentra en esta posición. Se puede cambiar cuando se necesite una diferente. También es posible establecer una opción de usuario para guardar la última temperatura utilizada para cada modo de cocción.

Códigos de Números error F

Estos códigos aparecen en la pantalla cuando el control electrónico detecta un problema en el horno o en sus componentes electrónicos.

Ventilador de convección

El ventilador de convección trabaja durante el modo de convección. Cuando el horno está trabajando en el modo de convección, el ventilador se para automáticamente cuando se abre la puerta. El ventilador de convección funcionará durante el precalentamiento para modos específicos.

Ventilador de enfriado de los componentes

Se activa durante todos los modos de cocción y de autolimpieza para enfriar los componentes internos y la superficie de la puerta exterior. El aire se expulsa a través de las aberturas colocadas por encima de la puerta del horno. Sigue funcionando hasta que los componentes se han enfriado lo suficiente. El ventilador de enfriamiento va más rápido en el modo de autolimpieza y cada vez que los componentes internos aumentan su temperatura.

Precalentamiento rápido

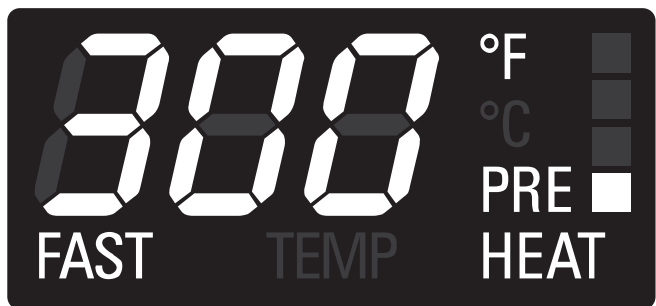
Cuando se establezca un modo de cocción y el horno esté en proceso de calentamiento, aparecerá la indicación "PREHEAT" en la pantalla de temperatura: la barra vertical indicará en cuatro pasos cuando el horno alcance el 25%, el 50%, el 75% y el 100% de la el valor de temperatura establecido.

Una vez alcanzado el 100%, el control emitirá un tono de "fin de precalentamiento" y desaparecerá la indicación "PREHEAT".

Si es necesario calentar el horno rápidamente, hay disponible un modo de precalentamiento rápido:

utiliza los elementos de calentamiento y el ventilador de convección de un modo especial para reducir el tiempo de calentamiento todo lo posible.

Después de definir una de las funciones de cocción para las que está disponible el precalentamiento rápido, toque la tecla **P-HEAT** y se mostrarán las indicaciones "FAST" y "PREHEAT".



Una vez alcanzada el valor de temperatura establecido, el control emitirá un tono de "fin de precalentamiento" y desaparecerán las indicaciones "FAST" y "PREHEAT". El horno cambiará automáticamente al modo de cocción deseado previamente establecido: coloque ahora los alimentos en el interior.

Precalentar el horno

- Precaliente el horno cuando utiliza los modos de Horneado, Horneado de convección y Grill de convección.
- Utilice el modo de precalentamiento rápido cuando no disponga de mucho tiempo para precalentar el horno.
- Seleccionar una temperatura más alta no acorta el tiempo de precalentado.
- Se necesita precalentar para obtener buenos resultados al hornear pasteles, galletas, pasteleitos y panes.
- El precalentado ayudará a dorar los asados y a que la carne conserve sus jugos.
- Coloque las rejillas del horno en su posición correcta antes de precalentar.
- Durante el precalentado la pantalla muestra la temperatura de cocción seleccionada.
- Un pitido confirmará que el horno se ha precalentado y se desactivará la indicación "PREHEAT".

Sugerencias para el uso

- Use las tablas de cocinar como una guía
- No ponga recipientes sobre la puerta abierta del horno
- Utilice la luz interna del horno para mirar los alimentos a través de la ventana del horno en lugar de abrir la puerta frecuentemente.

Recipientes

- Los recipientes de vidrio para hornear absorben el calor. Reduzca la temperatura del horno 25 °F (15 °C) cuando hornea con moldes de vidrio.
- Use los recipientes que producen el dorado deseado.
- El tipo de acabado del recipiente ayuda a determinar la cantidad de dorado que se producirá en el horno.
- Los moldes brillantes, de metal liso o ligeramente antiadherentes/ anodizados reflejan el calor y dan como resultado un dorado más ligero y delicado. Los pasteles y galletas requieren este tipo de molde.
- Los recipientes oscuros, ásperos o sin brillo absorben el calor y producen una costra más dorada y crujiente. Use este tipo para pasteles.
- Utilice recipientes de metales oscuros antiadherentes/ anodizados o moldes de metal sin brillo o moldes de vidrio de horneado para obtener una costra dorada. Los moldes aislantes de horneado pueden aumentar el tiempo de cocción.
- No hornee con la bandeja de asado vacía dentro del horno ya que esto puede cambiar el rendimiento del horneado. Guarde la bandeja de asado fuera del horno

Condensación y temperatura del horno

- Es normal que una cierta cantidad de humedad se evapore de los alimentos durante el proceso de cocción. La cantidad depende del contenido de humedad que contienen los alimentos. La humedad se puede condensar sobre una superficie más fría o en el interior del horno, así como en el panel de control.

- Su nuevo horno lleva un sensor electrónico de temperatura que permite mantener la temperatura deseada con exactitud. Su horno anterior tal vez tenía un termostato mecánico que gradualmente cambiaba a una temperatura más alta. Será normal que usted tenga que ajustar sus recetas favoritas cuando empiece a cocinar con su nuevo horno.

Horneado a gran altitud

- Cuando se hornea a gran altitud, las recetas y el tiempo de cocción varían con respecto a los estándares.

Conexión de 120/240 contra 120/208 Voltios

- La mayoría de las instalaciones de hornos tiene un voltaje de 120/240 voltios.
- Si su horno está instalado con un voltaje de 120/208 voltios, el precalentado puede ser ligeramente más largo que con un voltaje de 120/240 voltios.
- El horno está diseñado para asegurar el mismo tiempo de limpieza a 208 V.

Rejillas del horno

- El horno tiene guías para las rejillas en seis niveles como se muestran en la figura de la pág. 5.
- Las posiciones de las rejillas están numeradas desde la guía de la rejilla inferior (#1) a la superior (#6).
- Consulte las tablas de cocinar para determinar las mejores posiciones de la rejilla para usar cuando se cocina.
- Cada guía de nivel consiste en un par de soportes formados en las paredes de cada lado del interior del horno.
- Asegúrese siempre de que las rejillas del horno se encuentran en la posición correcta antes de encender el horno. Asegúrese de que las rejillas estén niveladas una vez colocadas en posición.

Si tiene dudas, como por ejemplo, qué lado es la parte frontal de la rejilla, tome como referencia la figura de la pág. 5.

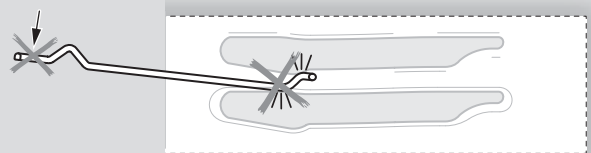
- Las rejillas están diseñadas para pararse cuando se tiran hacia atrás hasta el tope.

PRECAUCIÓN

Las rejillas están diseñadas para pararse cuando se tiran hacia atrás hasta el tope.

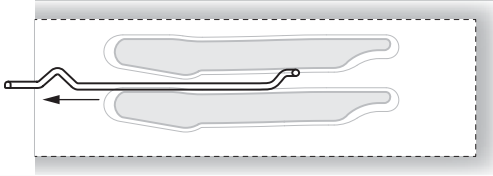
PRECAUCIÓN

Asegúrese de que no la ha forzado para evitar daños al esmalte.

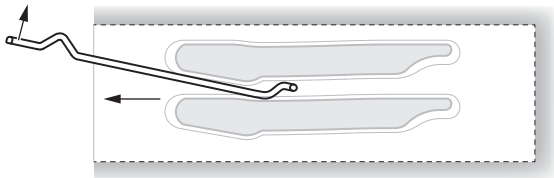


Para sacar las rejillas del horno:

1. Agarre la rejilla y empujela hacia atrás

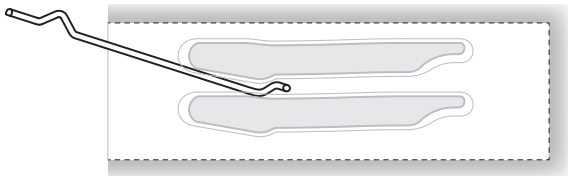


2. Incline la rejilla hacia arriba y sáquela

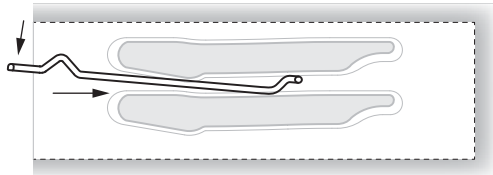


Para meter una rejilla del horno:

1. Coloque la parte de atrás de la rejilla entre las guías de nivel de rejilla



2. Mientras inclina la parte frontal de la rejilla hacia arriba, deslice la rejilla a lo largo de la vía mientras baja la parte frontal



La rejilla extensible

La rejilla extensible facilita el acceso a los alimentos en el horno. Se extiende más allá de la rejilla plana normal acercando los alimentos al usuario.

⚠ PRECAUCIÓN

Cuando la rejilla sale del horno no se bloquean los brazos laterales de deslizamiento. Éstos se podrían extender inesperadamente si se transporta la rejilla de modo incorrecto. Extender los brazos de deslizamiento puede causar lesiones. Se debe sostener o transportar la rejilla solamente agarrando los lados.

NOTE: Siempre saque la rejilla extensible antes de autolimpiar el horno.

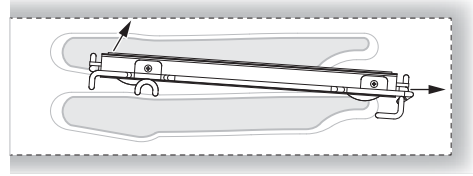
⚠ CAUTION!

Para evitar quemaduras, jale la rejilla completamente y levante el molde arriba de la agarradera cuando transporta los alimentos al y del horno.

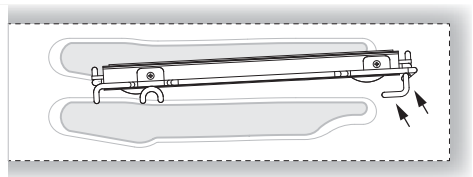
Si tiene dudas, como por ejemplo, qué lado es la parte frontal de la rejilla, tome como referencia la figura de la pág. 5.

Sacarla del horno:

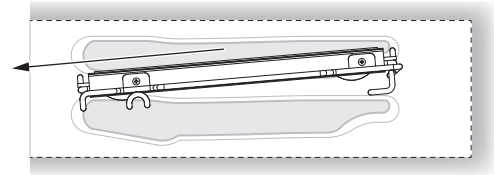
1. Levante el frente de la rejilla ligeramente y empuje la rejilla hacia adentro hasta que se libera el tope



2. Levante el fondo de la rejilla hasta que el marco y el tope queden libres de la guía

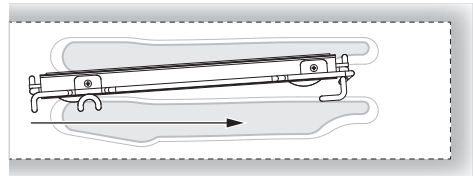


3. Jale la rejilla hacia abajo y sáquela

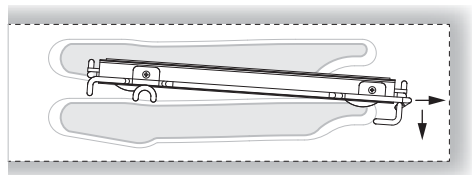


Colocar la rejilla en el horno:

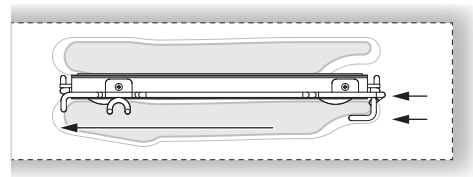
1. Agarre la rejilla firmemente en ambos lados. Coloque la rejilla (incluyendo el marco) arriba de la guía de rejilla deseada



2. Empuje la rejilla completamente hasta que el fondo de la rejilla caiga en su lugar



3. Hale ambas secciones hacia delante hasta que se active el tope. La rejilla debe estar recta no torcida



La hora del día aparece en la pantalla en horas y minutos.

Configure siempre el reloj inmediatamente después de la instalación o después de un apagón. Una vez que ha vuelto la corriente al horno, el reloj marca las 12:00^{AM}.

La hora de reloj aparecerá durante todas las operaciones del horno excepto cuando se haya activado el temporizador o se esté realizando cualquier operación de cocción temporizada.

El horno esta configurado con un reloj de 12 horas e indica ^{AM} y ^{PM}.

Para configurar la hora

1. Toque **TIME** hasta que la pantalla muestre la indicación "SET TIME".
2. Toque **+** o **-** para configurar la hora deseada, y las horas comenzarán a parpadear: continúe hasta que se hayan seleccionado el valor de horas correcto y la indicación ^{AM} o ^{PM}.
3. Vuelva a tocar **TIME** para confirmar la hora, y los minutos comenzarán a parpadear.
4. Toque **+** o **-** para establecer el valor de minutos deseado o mantenga pulsada la tecla para cambiar en intervalos de 10 minutos.
5. Vuelva a tocar **TIME** o espere 5 segundos para confirmar la hora.

Para configurar el temporizador (timer)

1. Toque **TIME** hasta que la pantalla muestre la indicación "TIMER".
2. Toque **+** o **-** para establecer el valor de temporizador deseado, y las horas comenzarán a parpadear: continúe hasta que se configure el valor deseado.
3. Vuelva a tocar **TIME** para confirmar la hora, y los minutos comenzarán a parpadear.
4. Toque **+** o **-** para establecer el valor de minutos deseado o mantenga pulsada la tecla para cambiar en intervalos de 10 minutos.
5. Vuelva a tocar **TIME** o espere 5 segundos para confirmar la hora.
6. "TIMER" se mostrará de forma continua.
7. Cuando finalice el tiempo, se emitirán unos pitidos a modo de recordatorio durante 15 minutos o hasta que se pulse la tecla **TIME**.
8. El formato del temporizador es normalmente HH:MM y cambia a MM:SS durante el último minuto.
9. El valor mostrado siempre se redondea hacia el minuto más bajo.



NOTA: No es posible configurar la hora si ya se ha seleccionado alguna función de hora: en primer lugar, elimine todas las funciones de temporización activas.

Para configurar el modo de cocinar y temperatura

- Los siguientes modos se pueden seleccionar girando la perilla de los modos de cocinado en la posición deseada. Para seleccionar la función de limpieza, el selector de temperatura también se debe mover hacia la posición de limpieza adecuada.

Programación de la cocción	
OFF	OFF
	HORNEADO DE CONVECCIÓN (CONV BAKE)
	ASADO DE CONVECCIÓN (CONV BROIL)
	GRILL DE CONVECCIÓN (CONV ROAST)
	PIZZA (MULTI PIZZA)
	HORNEADO (BAKE)
	ASADO (BROIL)
	DESHIDRATADO (CONV DEHY)
	LEVADURA (WARM)
	DESCONGELACIÓN (CONV)
	CALENTAMIENTO ADICIONAL (WARM PLUS)
	LIMPIEZA (CLEAN)





- Seleccione la temperatura deseada moviendo el selector o soltándolo en la posición de PRESET si el valor propuesto es bueno. La temperatura puede cambiarse con incrementos de 5°F o 5°C.
- Una vez que se hayan movido los selectores, el control cambiará automáticamente para mostrar el valor en la cavidad correspondiente. Aparecerá la indicación "UPPER" o "LOWER" correspondiente.
- La cavidad comenzará a calentarse, se mostrará la indicación "ON" cuando el horno seleccionado esté activo y se encenderá la luz del horno.
- La luz de precalentamiento se encenderá. Cuando el horno se haya precalentado, sonará un pitido y la luz roja se apagará.
- Para cambiar la temperatura mientras se está cocinando, basta girar la perilla de la temperatura hasta que la pantalla muestre el valor deseado.
- Pulse **UPPER/LOWER** (Superior/Inferior) para seleccionar el horno y controle la temperatura referida o el valor del tiempo, en el caso de que no sea necesario cambiarlo.
- Mueva el selector del modo de cocción en OFF si pretende parar de cocinar.



- Los triángulos de la esquina superior derecha de la pantalla se activarán cuando una cavidad esté en funcionamiento, incluso si no se ha seleccionado en pantalla.

Uso de la tecla **MENU** para seleccionar las funciones de temperatura baja

- Si mueve el selector de modo de cocción a la posición de temperatura baja, se mostrará una de las siguientes funciones:

Programación de la cocción	
	DESHIDRATADO (CONV DEHY)
	LEVADURA (WARM)
	DESCONGELACIÓN (CONV)
	CALENTAMIENTO ADICIONAL (WARM PLUS)

- Toque la tecla **MENU** para cambiar entre estos cuatro modos.
- El último modo utilizado se guardará en memoria para la siguiente selección.

Uso de las lámparas del horno

- Un único botón de luces activa las luces de ambos hornos.
- Si el botón **LIGHT** (LÁMPARA) se acciona cuando ambos hornos están apagados, las lámparas de los hornos superior e inferior se encenderán. Si se acciona el botón **LIGHT** de nuevo, ambas luces se encenderán.
- Las lámparas de horno se encienden o apagan automáticamente cuando las puertas están abiertas y cerradas.
- Cuando un horno está en función, las lámparas del horno se encienden automáticamente cuando inicia el modo. Las lámparas del horno se apagan automáticamente cuando el modo del horno se anula.
- Las lámparas no funcionan en el modo de autolimpieza.

Para controlar manualmente las luces del interior del horno en ambos hornos superior e inferior si uno o ambos hornos se están utilizando:

- Pulse **UPPER/LOWER**, la pantalla indicará qué horno se ha seleccionado.
- Pulse **UPPER/LOWER** para resaltar el otro horno.
- Toque **LIGHT** para encender o apagar las luces de la cavidad deseada.

- En los modelos de horno dobles, se pueden configurar ambos hornos independientemente para funcionar en el modo cronometrado.
- Asegúrese de que el reloj de la hora del día aparezca en la pantalla con el tiempo correcto.
- El modo cronometrado apaga el horno al final del tiempo de cocción.

Para configurar el modo cronometrado

1. Seleccione el horno mediante la tecla **UPPER/LOWER** si es necesario.
2. Seleccione el modo de cocción y la temperatura mediante los selectores. La indicación "ON" aparecerá en pantalla.
3. Pulse la tecla **TIME** hasta que la indicación "TIME" aparezca en pantalla.
4. Pulse **+** o **-** y los dígitos de hora comenzarán a parpadear. Continúe con la configuración de la hora de cocción deseada. Tenga en cuenta que el tiempo necesario para que el horno alcance la temperatura se debe incluir en el tiempo de cocción establecido.
5. Vuelva a tocar **TIME**; se confirmarán las horas y comenzarán a parpadear los dígitos de minutos.
6. Toque **+** o **-** para cambiar los minutos. Mantenga pulsada la tecla para cambiar en intervalos de 10 minutos. Continúe con la configuración de la hora de cocción deseada.
7. Vuelva a tocar **TIME** o espere unos segundos para confirmar el valor del tiempo de cocción.



Para retardar el inicio de un modo temporizado

Siga los pasos 1 al 6 o 7 anteriores.

- Toque la tecla **TIME** hasta que la indicación "STOP TIME" aparezca en pantalla.
- El control calculará y mostrará automáticamente el valor inicial y añadirá el tiempo de cocción previamente establecido a la hora del día.



- Toque **+** o **-**, y los dígitos de hora comenzarán a parpadear. Continúe con la configuración de la hora de apagado deseada.
- Vuelva a tocar **TIME**; se confirmarán las horas y comenzarán a parpadear los dígitos de minutos.
- Toque **+** o **-** para cambiar los minutos. Mantenga pulsada la tecla para cambiar en intervalos de 10 minutos. Continúe con la configuración de la hora de apagado deseada.
- Vuelva a tocar **TIME** o espere unos segundos para confirmar el valor de la hora de apagado. El reloj calculará automáticamente la hora del día en la que se inicia y se detiene el modo. Se mostrará la indicación "DELAY" hasta que se alcance la hora de inicio.



Con un modo temporizado activo

- Una vez que el horno realmente inicie la cocción, la pantalla mostrará el tiempo de cocción y contará los minutos restantes en intervalos de un minuto. El horno estará en proceso de cocción durante el tiempo programado.
- Al terminar el tiempo, el horno se apagará automáticamente y, a continuación, comenzarán a parpadear las indicaciones "ON" y "TIME" y se emitirá una serie de pitidos que indicarán el "fin de actividad". Los pitidos a modo de recordatorio se emitirán durante quince minutos para atraer la atención del usuario hasta que se toque alguna tecla.

Cómo comprobar un valor de tiempo

- Cuando sea necesario comprobar un valor de tiempo que no esté en pantalla, toque la tecla **TIME** hasta que se muestre la indicación adecuada para ver el valor deseado durante 5 segundos.
- Ejemplo: Si se muestra el valor de temporizador y no desea comprobar el tiempo de cocción, toque la tecla **TIME** hasta que se muestre "TIME" para ver el tiempo de cocción durante 5 segundos.



ES 12 - Establecimiento de las opciones de la sonda para carne

Este horno se suministra con la función opcional de la sonda para carne que detecta la temperatura del interior de la carne y detiene la cocción cuando se alcanza el valor establecido. En los hornos dobles está disponible sólo para la cavidad superior. Se pueden seleccionar los siguientes modos para que funcionen con la sonda para carne:

HORNEADO DE CONVECCIÓN (CONV BAKE)

GRILL DE CONVECCIÓN (CONV ROAST)

HORNEADO (BAKE)

No es posible iniciar otros modos si se ha introducido la sonda.

Una vez que introduzca la sonda en su receptáculo y ésta sea detectada por el control, gire el selector de modo de cocción hacia una posición correcta y aparecerá la indicación PROBE en la pantalla de modo de cocción con la función seleccionada.



La temperatura estándar de la sonda para carne (170°F) parpadeará en el módulo del reloj durante 5 segundos.

Si utiliza las teclas **+**/**-**, podrá cambiar la configuración de la sonda. El valor establecido de temperatura estándar de la sonda es de 170°F.

El intervalo permitido está entre 130°F y 210°F.

La temperatura máxima de la cavidad durante la cocción con la sonda para carne es de 475°F.

La resolución debe ser de 5°F o 2,5°C para la temperatura establecida y la temperatura real.

Transcurridos 5 segundos, el valor de la pantalla será aceptado y el control iniciará la cocción.

La temperatura real de la sonda se mostrará en este momento.



Toque **+** o **-** una vez para comprobar la temperatura establecida de la sonda. Cuando parpadee, vuelva a tocar o manténgala pulsada para modificar el valor. Una vez alcanzada la temperatura establecida de la sonda, el control emitirá un tono de fin de cocción y apagará el horno.

Sitúe siempre el modo de cocción en posición de apagado antes de volver a utilizar el horno.

La indicación PROBE parpadeará cuando el modo no sea válido para la cocción con sonda. Si se retira la sonda durante la cocción o en caso de cortocircuito o circuito abierto, se mostrará un mensaje de error.

Las funciones de tiempo automático se desactivarán al utilizar la sonda para carne y únicamente funcionará el temporizador.

Hornear es cocinar con aire caliente. Tanto el elemento superior como el inferior del horno se encienden para calentar el aire pero no se utiliza el ventilador para hacer circular el horneado.

Siga la receta o las orientaciones de los alimentos convenientes para la temperatura de horneado, el tiempo y la posición de las rejillas. El tiempo de horneado cambiará con la temperatura de los ingredientes y con las dimensiones, la forma y el acabado del molde de horneado.

Directrices generales

- Para obtener los mejores resultados hornee los alimentos en una única rejilla con al menos 1" - 1 ½" (2,5 - 3 cm) espacio entre los moldes y las paredes del horno.
- Use una rejilla cuando selecciona el modo de horneado.
- Controle para que estén cocidos en el menor tiempo.
- Use moldes del metal (con o sin acabado antiadherente), vidrio refractario, vitrocerámica, cerámica u otros utensilios adecuados para el horno.
- Cuando use vidrio refractario, reduzca la temperatura 25 °F (15 °C) con respecto a la temperatura recomendada.
- Use bandejas de horneado con o sin lados o moldes de charlotas.
- Las cazuelas de metal oscuro o con recubrimiento antiadherente cuecen más rápidamente y se doran más. Los moldes aislantes alargarán ligeramente el tiempo de cocción para la mayoría de los alimentos.
- No utilice hojas de aluminio o bandejas de aluminio desechables para cubrir cualquier parte del horno. Las hojas son un excelente aislante de calor y el calor quedará atrapado por debajo. Esto alterará el rendimiento de la cocción y podrá dañar el acabado del horno.
- Evite el uso de las puertas abiertas para apoyar las cazuelas.
- Los consejos para Resolver los problemas de horneado se encuentran en la página 31.

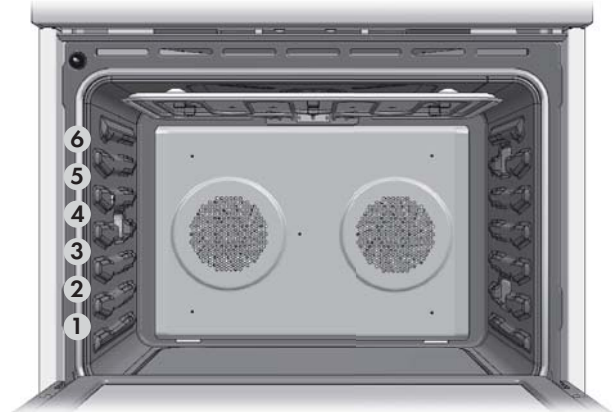
Tabla de cocción por horneado

ALIMENTO	POSICIÓN DE REJILLA	TEMP. °F (°C)		TIEMPO (MIN)
		(HORNO PRECALENDADO)		
PASTEL				
Glaseado	2	350	(175)	19 - 22
Pastel	1	350	(175)	40 - 45
Bizcochos	1	350	(175)	35 - 39
PAY				
2 cortezas, fresco 9"	2	375 - 400	(190 - 205)	45 - 50
2 cortezas. fruta congel. 9"	2	375	(190)	68 - 78
GALLETAS				
Azúcar	2	350 - 375	(175 - 190)	8 - 10
Chocolate chip	2	350 - 375	(175 - 190)	8 - 13
Brownies	2	350	(175)	29 - 36
PANES				
Pan de levadura, 9x5	2	375	(190)	18 - 22
Rollos de levadura	2	375 - 400	(190 - 205)	12 - 15
Bollo, Panecillo	2	375 - 400	(190 - 205)	7 - 9
Molletes	2	425	(220)	15 - 19
PIZZA				
Congelada	2	400 - 450	(205 - 235)	23 - 26
Fresca	2	475	(246)	15 - 18

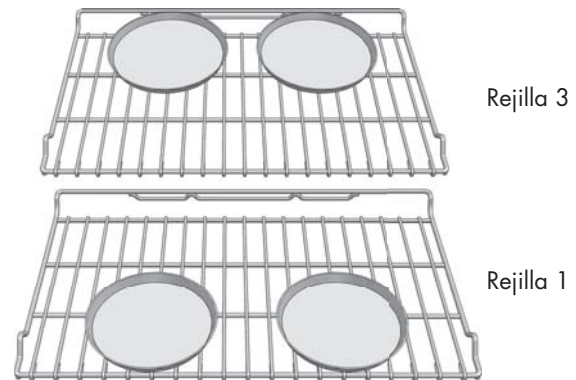
Reduzca las temperaturas del horneado de las recetas 25°F (15°C).

- Para obtener mejores resultados, se recomienda poner los alimentos en bandejas planas, no tapadas para aprovechar la circulación del aire forzado. Utilice moldes de aluminio brillante para obtener los mejores resultados si no se especifica nada más.
- Se puede utilizar vidrio refractario o cerámica. Reduzca la temperatura otros 25°F (15°C) cuando utiliza platos de vidrio refractario, con una reducción total de 50°F (30°C).
- Se pueden usar moldes de metales oscuros. Tenga presente que los alimentos se dorarán más rápidamente si usa recipientes de metal oscuro.
- El número de rejillas utilizadas lo determina la altura del alimento que tienen que cocinar.
- Cocinar con múltiples rejillas para comidas realizadas al horno se debe a la posición de las rejillas 1, 2, 3, 4 y 5. Se pueden utilizar todas las rejillas, para las galletas, bollos y galletitas saladas.
 - Con 2 rejillas de horneado. Use las posiciones 1 y 3.
 - Con 3 rejillas de horneado. Use las posiciones 2, 3 y 4 o 1, 3 and 5.
 - Cuando hornea cuatro capas con pasteles al mismo tiempo, coloque los moldes de tal modo que ningún molde quede directamente encima de otro. Para lograr mejores resultados, coloque los moldes en la parte frontal de rejilla superior y en el fondo de la rejilla inferior (vea la figura a la derecha). Permita 1" -1 1/2" de espacio libre alrededor de los moldes.
- Transformar su propia receta puede ser fácil. Elija una receta que funcione bien en el modo de convección.
- Reduzca la temperatura y el tiempo de cocción si fuera necesario. Puede ser necesario algún juicio y cometer algún error para obtener un resultado perfecto. Conserve los resultados de su técnica para la próxima vez que quiera preparar la misma receta utilizando el sistema por convección.
- Los consejos para resolver los problemas de horneado se encuentran en la página 31.

POSICIÓN DE LAS REJILLAS



COLOCACIÓN DE LOS DISTINTOS RECIPIENTES EN LA REJILLA



Alimentos recomendados para modo de horneado de convección:

- Galletitas saladas y hojaldres
- Galletas para el café
- Pasteles (de 2 a 4 rejillas) Masa de levadura
- Bollos de crema
- Popovers
- Guisos y entrantes
- Comidas preparadas al horno (posición de las rejillas 1, 2, 3)
- Alimentos que se elevan con aire (Súflés, Merengues, Postres recubiertos con merengues, Bizcocho Angel, Bizcochos)

Consejos para recetar rápidas y fáciles

Para transformar el **HORNEADO** estándar en **HORNEADO DE CONVECCIÓN**:

- Reduzca la temperatura 25 °F.
- Use el mismo tiempo de horneado que para el modo de Horneado si es por debajo de los 10 a 15 minutos.
- Los alimentos con un tiempo de horneado inferior a 30 minutos deberían controlarse para ver si están bien cocidos 5 minutos antes que las recetas de horneado estándar.
- Si los alimentos se hornean durante más de 40 a 45 minutos, el tiempo de horneado se debería reducir un 25%.

Tabla de horneado de convección

Reduzca la temperatura de la receta estándar de 25 °F(15 °C) para el horneado de Convección. La temperaturas se han reducido en esta

Tabla de cocción por horneado - CONVECTION CAVITY				
ALIMENTO	POSICIÓN DE REJILLA	TEMP. °F (°C)		TIEMPO (MIN)
		(HORNO PRECALENDADO)		
PASTEL				
Glaseado	2	325	(160)	20 - 22
Pastel	1	325	(160)	43 - 50
Bizcochos	1	325	(160)	43 - 47
PAY				
2 cortezas, fresco 9"	2	350 - 400	(175 - 205)	40 - 52
2 cortezas. fruta congel. 9"	2	350	(175)	68 - 78
GALLETAS				
Azúcar	2	325 - 350	(160 - 175)	9 - 12
Chocolate chip	2	325 - 350	(160 - 175)	8 - 13
Brownies	2	325	(160)	29 - 36
PANES				
Pan de levadura, 9x5	2	350	(175)	18 - 22
Rollos de levadura	2	350 - 375	(175 - 190)	12 - 15
Bollo, Panecillo	2	375	(190)	8 - 10
Molletes	2	400	(205)	17 - 21
PIZZA				
Congelada	2	375 - 425	(190 - 220)	23 - 26
Fresca	2	450	(232)	15 - 18

Tabla de cocción por horneado - DOUBLE CONVECTION CAVITY				
ALIMENTO	POSICIÓN DE REJILLA	TEMP. °F (°C)		TIEMPO (MIN)
		(HORNO PRECALENDADO)		
PASTEL				
Glaseado	2	325	(160)	16 - 18
Pastel	1	325	(160)	37 - 43
Bizcochos	1	325	(160)	35 - 39
PAY				
2 cortezas, fresco 9"	2	350 - 400	(175 - 205)	35 - 45
2 cortezas. fruta congel. 9"	2	350	(175)	68 - 78
GALLETAS				
Azúcar	2	325 - 350	(160 - 175)	6 - 9
Chocolate chip	2	325 - 350	(160 - 175)	8 - 13
Brownies	2	325	(160)	29 - 36
PANES				
Pan de levadura, 9x5	2	350	(175)	18 - 22
Rollos de levadura	2	350 - 375	(175 - 190)	12 - 15
Bollo, Panecillo	2	375	(190)	6 - 8
Molletes	2	400	(205)	13 - 16
PIZZA				
Congelada	2	375 - 425	(190 - 220)	23 - 26
Fresca	2	450	(232)	15 - 18

Esta tabla es una guía. Siga la receta o las instrucciones del paquete y reduzca la temperatura de la manera apropiada.

- No precalentar para el asado por convección.
- Cocine con grill en una bandeja baja y sin tapar. Cuando se gratinan pollos y pavos enteros, suba las alas hacia atrás y ate fuerte las patas con cuerda de cocina.
- Use el recipiente para asar a la parrilla de 2 piezas para gratinar descubierto.
- Use una sonda o un termómetro de carne para determinar la cocción del interior cuando en la temperatura "END" (véase la tabla de cocción).
- Controle dos veces el interior de la temperatura de la carne/ de la ave introduciendo un termómetro de carne en otra posición.
- También podría ser necesario cubrir las grandes aves con papel de aluminio (y la fuente de asar) durante una porción del tiempo de asado para evitar que se dore excesivamente.

Consejos para recetas rápidas y fáciles

Convierta el **HORNEADO** estándar en **GRILL DE CONVECCIÓN**:

- No hay que reducir la temperatura.
- Los asados, los grandes cortes de carne y las aves en general utilizan un 10-20% menos de tiempo de cocción. Controle si los alimentos están cocidos antes.
- Los guisos y los asados a la cazuela se hornean cubiertos en el modo de GRILL DE CONVECCIÓN y cuecen aproximadamente en el mismo tiempo.

- La temperatura de seguridad mínima para el relleno de las aves es de 165 °F (75 °C).
- Después de extraer el artículo del horno, cubrir sin demasiada fuerza con papel de aluminio durante 10 o 15 minutos antes de cortar en el caso de que fuera necesario aumentar la temperatura final de los alimentos de 5° a 10 °F (3° to 6 °C).

Tabla de grill de convección - CONVECTION CAVITY

CARNES	PESO (lb)	TEMP. HORNO °F (°C)	POSICIÓN DE REJILLA	TIEMPO (min. per lb)	TEMPERATURA INTERNA °F (°C)
RES					
Costillas	4 - 6	325 (160)	2	16 - 20 18 - 22	145 (63) medio simpl. cocidas 160 (71) medio
Rib Eye (sin heuso)	4 - 6	325 (160)	2	16 - 20 18 - 22	145 (63) medio simpl. cocidas 160 (71) medio
Churrasco, Eye Tip, Sirlion (sin heuso)	3 - 6	325 (160)	2	16 - 20 18 - 22	145 (63) medio simpl. cocidas 160 (71) medio
Tenderloin Tostado	2 - 3	400 (205)	2	15 - 20	145 (63) medio simpl. cocidas
PUERCO					
Lomo (con o sin hueso)	5 - 8	350 (175)	2	16 - 20	160 (71) medio
Hombro	3 - 6	350 (175)	2	20 - 25	160 (71) medio
AVES					
Pollo Entero	3 - 4	375 (190)	2	18 - 21	180 (82)
Pavo sin ralleno	12 - 15	325 (160)	1	10 - 14	180 (82)
Pavo sin ralleno	16 - 20	325 (160)	1	9 - 11	180 (82)
Pavo sin ralleno	21 - 25	325 (160)	1	6 - 10	180 (82)
Pechuga Pavo	3 - 8	325 (160)	1	15 - 20	170 (77)
Codorniz	1 - 1½	350 (175)	2	45 - 75 total	180 (82)
CORDERO					
Media Pierna	3 - 4	325 (160)	2	22 - 27 28 - 33	160 (71) medio 170 (77) así
Pierna Entera	6 - 8	325 (160)	1	22 - 27 28 - 33	160 (71) medio 170 (77) así

Tabla de grill de convección - DOUBLE CONVECTION CAVITY					
CARNES	PESO (lb)	TEMP. HOR-NO °F (°C)	POSICIÓN DE REJILLA	TIEMPO (min. per lb)	TEMPERATURA INTERNA °F (°C)
RES					
Costillas	4 - 6	325 (160)	2	18 - 22 20 - 25	145 (63) medio simpl. cocidas 160 (71) medio
Rib Eye (sin heuso)	4 - 6	325 (160)	2	18 - 22 20 - 25	145 (63) medio simpl. cocidas 160 (71) medio
Churrasco, Eye Tip, Sirlion (sin heuso)	3 - 6	325 (160)	2	18 - 22 20 - 25	145 (63) medio simpl. cocidas 160 (71) medio
Tenderloin Tostado	2 - 3	425 (220)	2	15 - 20	145 (63) medio simpl. cocidas
PUERCO					
Lomo (con o sin hueso)	5 - 8	350 (175)	2	18 - 22	160 (71) medio
Hombro	3 - 6	350 (175)	2	20 - 25	160 (71) medio
AVES					
Pollo Entero	3 - 4	375 (190)	2	20 - 23	180 (82)
Pavo sin ralleno	12 - 15	325 (160)	1	10 - 14	180 (82)
Pavo sin ralleno	16 - 20	325 (160)	1	9 - 11	180 (82)
Pavo sin ralleno	21 - 25	325 (160)	1	6 - 10	180 (82)
Pechuga Pavo	3 - 8	325 (160)	1	15 - 20	170 (77)
Codorniz	1 - 1½	350 (175)	2	45 - 75 total	180 (82)
CORDERO					
Media Pierna	3 - 4	325 (160)	2	20 - 27 25 - 32	160 (71) medio 170 (77) así
Pierna Entera	6 - 8	325 (160)	1	20 - 27 25 - 32	160 (71) medio 170 (77) así

Los tiempos de cocción son indicativos y dependen también del grosor de la carne y de la temperatura inicial antes de cocinarse.

- Coloque la rejilla en la posición requerida antes de encender el horno.
- Use el modo de Asado de Convección con la puerta del horno cerrada.
- No precaliente el horno.
- Use un recipiente de 2 piezas.
- Voltee la carne una vez a mitad del tiempo recomendado para cocinar (vea la tabla de asado de convección)

Tabla de asado de convección - CONVECTION CAVITY					
ALIMENTO Y GROSOR	POSICIÓN DE REJILLA	POSICIÓN DE ASADO °F (°C)	TEMPERATURA INTERNA °F (°C)	TIEMPO LADO 1 (MIN.)*	TIEMPO LADO 2 (MIN.)*
CARNE DE RES FILETE (1" O MÁS)					
Vuelta y Vuelta	4	450 (235)	145 (65)	9 - 12	8 - 10
Medio	4	450 (235)	160 (71)	11 - 13	10 - 12
Bien Cocido	4	450 (235)	170 (77)	18 - 20	16 - 17
HAMBURGUESAS (MÁS DE 1")					
Medio	4	550 (290)	160 (71)	8 - 11	5 - 7
Bien Cocido	4	550 (290)	170 (77)	11 - 13	8 - 10
AVES					
Cuartod de Pollo	4	450 (235)	180 (82)	16 - 18	10 - 13
Pollo en dos mitades	3	450 (235)	180 (82)	25 - 27	15 - 18
Pechuga de Pollo	4	450 (235)	170 (77)	13 - 15	9 - 13
PUERCO					
Chuletas (1" o más)	4	450 (235)	160 (71)	12 - 14	11 - 13
Salchicha - fresca	4	450 (235)	160 (71)	4 - 6	3 - 5

* Los tiempos del Asado y Asado de Conveccion son aproximados y pueden variar ligeramente.

Los tiempos de cocción son indicativos y dependen también del grosor de la carne y de la temperatura inicial antes de cocinarse.

Tabla de asado de convección - DOUBLE CONVECTION CAVITY					
ALIMENTO Y GROSOR	POSICIÓN DE REJILLA	POSICIÓN DE ASADO °F (°C)	TEMPERATURA INTERNA °F (°C)	TIEMPO LADO 1 (MIN.)*	TIEMPO LADO 2 (MIN.)*
CARNE DE RES FILETE (1" O MÁS)					
Vuelta y Vuelta	4	450 (235)	145 (65)	11 - 13	10 - 12
Medio	4	450 (235)	160 (71)	15 - 17	13 - 15
Bien Cocido	4	450 (235)	170 (77)	16 - 18	13 - 15
HAMBURGUESAS (MÁS DE 1")					
Medio	4	550 (290)	160 (71)	9 - 11	5 - 8
Bien Cocido	4	550 (290)	170 (77)	11 - 13	8 - 10
AVES					
Cuartod de Pollo	4	450 (235)	180 (82)	18 - 20	13 - 15
Pollo en dos mitades	3	450 (235)	180 (82)	25 - 27	15 - 18
Pechuga de Pollo	4	450 (235)	170 (77)	14 - 16	10 - 14
PUERCO					
Chuletas (1" o más)	4	450 (235)	160 (71)	13 - 15	12 - 14
Salchicha - fresca	4	450 (235)	160 (71)	4 - 6	3 - 5

* Los tiempos del Asado y Asado de Conveccion son aproximados y pueden variar ligeramente.

Los tiempos de cocción son indicativos y dependen también del grosor de la carne y de la temperatura inicial antes de cocinarse.

- Para deshidratar use el modo de deshidratado. Se usa una baja temperatura y el aire caliente que circula suavemente elimina la humedad de los alimentos para conservarlos.
- La temperatura del modo de Deshidratado está programada a 140 °F (60 °C).
- Las temperaturas del modo de Deshidratado se encuentran entre 120 °F (50 °C) y 160 °F (70 °C).
- Se pueden usar múltiples rejillas al mismo tiempo.
- Algunos alimentos requieren como 14-15 horas para su total deshidratación.
- Consulte un libro de conservación de alimentos para los tiempos específicos y para el manejo de los distintos alimentos.
- Este modo es apropiado para una variedad de frutas, vegetales, verduras y tiras de carne.
- Las rejillas especiales de secado se pueden comprar en tiendas de menaje de cocina especializadas.
- Si se usan servilletas de papel, algunas humedades de los alimentos pueden ser absorbidas antes de empezar la deshidratación (como por los tomates o duraznos cortados en rodajas).

Tabla de deshidratado

ALIMENTO	PREPARACIÓN	TIEMPO* DE SECADO (hrs) APROXIMADO	PRUEBA DEL TERMINADO	
FRUTA				
Manzana	Sumergido en ¼ vaso con jugo de limon y 2 vasos de agua, rebanadas ¼"	11 - 15	Ligeramente flexible	
Platano	Sumergido en ¼ vaso con jugo de limon y 2 vasos de agua, rebanadas ¼"	11 - 15	Ligeramente flexible	
Cereza	Lavar y secar con toalla. Para cerezas frescas, quitar huesos	10 - 15	Flexible, duro, masticable	
Cáscara y trozos de naranja	Trozos de naranja ¼"; la parte de la cáscara está ligeramente pelada de la naranja	Cáscara:	2 - 4	Cáscara de Naranja: seca y frágil
		Trozos::	12 - 16	
Anillos de piña	Secado con toalla	En lata: Fresca:	9 - 13 8 - 12	Suave y flexible
Fresa	Lavar y secar c/toalla. Rebanadas de ½", la piel (exterior) está sobre la rejilla	12 - 17	Deco, frágil	
VERDURAS				
Chiles	Lavar y secar c/toalla. Quitar la membrana del chile, cortada en rebanadas grandes de aprox. 1"	16 - 20	Duro sin tener humedad en el interior	
Hongos	Lavar y secar c/toalla. Cortar el tallo, cortar en rebanadas de 1/8"	7 - 12	Duro y seco	
Jitomates	Lavar y secar c/toalla. Cortar en rebanadas de 1/8", drenar bien	16 - 23	Seco, color de ladrillo rojo	
ESPECIES				
Orégano, perejil verde, tomillo e hinojo	Enjuagar y secar con toalla de papel	Secar a 120°F (60°C)	3 - 5	Crujiente y frágil
Albahaca	Usar las hojas de albahaca de 3 a 4 pulgadas desde la punta. Rociar con agua sacudirlo y secarlo a golpecito	Secar a 120°F (60°C)	3 - 5	Crujiente y frágil

- Coloque la rejilla en la posición requerida antes de encender el horno.
- Use el modo de Asado con la puerta del horno cerrada.
- Precalentar el horno durante 5 minutos antes de usarlo.
- Use un recipiente de 2 piezas.
- Se puede untar las carnes con un pincel mojado en aceite o mantequilla para evitar que se pegue.
- Voltee la carne una vez a mitad del tiempo recomendado para cocinar (vea la tabla de asado)

Tabla de asado					
ALIMENTO Y GROSOR	POSICIÓN DE REJILLA	POSICIÓN DE ASADO	TEMPERATURA INTERNA °F (°C)	TIEMPO LADO 1 (MIN.)*	TIEMPO LADO 2 (MIN.)*
CARNE DE RES					
Filete (1" o más)					
Vuelta y Vuelta	5	5	145) (63)	5 - 7	4 - 4
Medio	5	5	160 (71)	6 - 8	5 - 7
Bien Cocido	5	5	170 (77)	8 - 10	7 - 9
HAMBURGUESAS (MÁS DE 1")					
Medio	4	5	160 (71)	8 - 11	6 - 9
Bien Cocido	4	5	170 (77)	10 - 3	8 - 10
AVES					
Pechuga (con hueso)	4	4	170 (77)	0 - 2	8 - 10
Muslo	4	3	180 (82)	28 - 30	13 - 15
PUERCO					
Chuletas (1")	5	5	160 (71)	7 - 9	5 - 7
Salchicha - fresca	5	5	160 (71)	5 - 7	3 - 5
Rebanada de Jamon (")	5	5	160 (71)	4 - 6	3 - 5
MARISCOS					
Filetes de Pescado, 1"					
Con manequilla	4	4	Cocine hasta opaco y desmenuce fácilmente con un tenedor	10 - 14	No gire
CORDERO					
Chuletas (1")					
Vuelta y Vuelta	5	5	145 (63)	5 - 7	4 - 6
Medio	5	5	160 (71)	6 - 8	4 - 6
Bien Cocido	5	5	170 (77)	7 - 9	5 - 7
BREAD					
Pan, rebanadas de 1"	4	5		2 - 2.30	
Pan de ajo, rebanadas de 1"	3	5		4 - 4	

* Los tiempos del Asado y Asado de Conveccion son aproximados y pueden variar ligeramente. Los tiempos de cocción son indicativos y dependen también del grosor de la carne y de la temperatura inicial antes de cocinarse.

Pautas e seguir para la temperatura de alimentos de FSIS (Servicio de Inspección y Seguridad de Alimentos USDA)			
140°F (60°C)	Jamón , precocido (para recalentar)	165°F (74°C)	Relleno (cocido solo o en el ave)
145°F (63°C)	Carne fresca de res, tenera, cordero (vuelta y vuelta)		Sobras y guisados
160°F (71°C)	Carne molida y mezcalas de carne (res, puerco, tenera, cordero)	170°F (77°C)	Carne fresca de res, tenera, cordero (bien cocida)
	Carne fresca de res, tenera, cordero (medio)		Pechuga de pollo (aves)
	Carne fresca de puerco (media)	180°F (82°C)	Carne fresca de puerco (bien cocida)
	Jamón fresco (crudo)		Pollo y jamón (entero)
165°F (74°C)	Platillos con huevos	180°F (82°C)	Carne de aves (muslos y alas)
	Carne molida y mezcalas de carne (pavo, pollo)		Pato y ganso

Nota: Huevos (solos, no utilizados en una receta) – cocer hasta que la yema y la clara estén duras

La función de las Características especiales se puede utilizar para seleccionar las siguientes características especiales del horno:

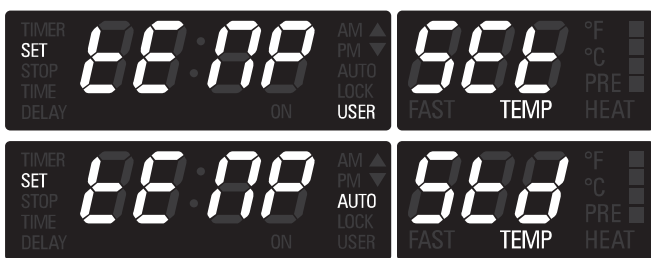
1. **SAB** → **MODO SÁBADO**
(para creyentes de religiones que no permiten "trabajar" los sábados)
2. **OFS** → **CONFIGURACIÓN DE OFF DEL HORNO**
(se usa para calibrar la temperatura del horno)
3. **DEG** → **UNIDADES DE GRADOS**
(se usa para seleccionar los grados Fahrenheit o Centígrados)
4. **HR** → **FORMATO DEL RELOJ**
(se usa para configurar el formato de la hora del día en 12 am/pm o 24 horas)
5. **SET** → **TEMPERATURA PREESTABLECIDA**
(es posible guardar la temperatura estándar preestablecida para cada modo de cocción o almacenar en memoria la última temperatura utilizada)

Para seleccionar las características especiales, siga los pasos abajo indicados:

- Toque y mantenga pulsadas las teclas **MENU** y **TIME** durante al menos 3 segundos. Desaparecerá la hora de reloj y se mostrará la siguiente pantalla:

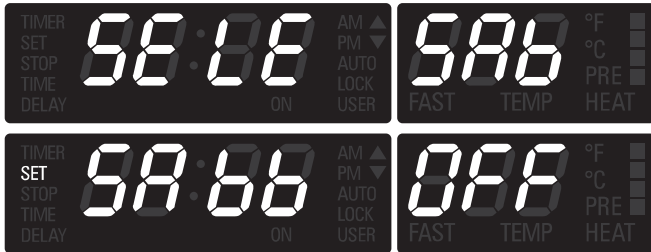


- Toque las teclas **+** o **-** para desplazarse por todas las opciones disponibles descritas anteriormente hasta encontrar la opción deseada.
- Toque la tecla **MENU** para editar las opciones seleccionadas.
- Cambie el valor mediante las teclas **+** o **-**.



- En los hornos dobles, es posible establecer una configuración diferente en cada cavidad. Seleccione la cavidad con la tecla **UPPER/LOWER**.
- Toque la tecla **MENU** para confirmar la opción y regresar al menú de selección o mantenga pulsada la tecla durante 3 segundos para salir del menú de opciones de usuario y regresar a la pantalla de reloj original.
- Acceda al menú de opciones de usuario manteniendo pulsadas las teclas **MENU** y **TIME** durante 3 segundos. Desplácese por la lista de opciones (dEG, OFS, Hr, Sab) que muestra el módulo de temperatura en rojo pulsando **+**/**-** hasta que se encuentre el elemento del modo de Sabbath.

- Acceda al menú de opciones de usuario manteniendo pulsadas las teclas **MENU** y **TIME** durante 3 segundos. Desplácese por la lista de opciones (dEG, OFS, Hr, Sab) que muestra el módulo de temperatura en rojo pulsando **+**/**-** hasta que se encuentre el elemento del modo de Sabbat.



- Toque **MENU** para acceder al modo de edición: el elemento seleccionado cambiará a los dígitos en verde de la izquierda y su estado en el campo de dígitos en rojo comenzará a parpadear.
- Vuelva a tocar las teclas **+**/**-** para activar o desactivar el modo de Sabbat (desactivado de forma predeterminada). Toque **MENU** para confirmar y regresar a la lista de opciones. Mantenga pulsada la tecla **MENU** durante 3 segundos para salir del menú de selección y regresar a las operaciones normales.
- Una vez establecido el modo de Sabbat, solamente estarán disponibles las posiciones de horneado y apagado en el selector de modo de cocción. Mueva el selector a la posición de horneado y, a continuación, configure la temperatura al valor deseado en un intervalo de 5 minutos.
- Transcurridos 5 minutos, no se podrá volver a mostrar la temperatura y en la pantalla aparecerá un mensaje indicando que se ha activado el modo de Sabbat. En los hornos dobles, aún estarán disponibles las indicaciones de la cavidad superior/inferior. Ambos triángulos estarán activos si las cavidades están en funcionamiento.

- No es posible cambiar el estado de la luz del horno durante el horario de Sabbat.
- La temperatura del horno sólo se puede reducir, pero no se mostrará ninguna información.
- El ventilador de refrigeración debe funcionar en el modo de Sabbat.
- Las luces de precalentamiento se oscurecerán durante el modo de Sabbat.
- El indicador sonoro debe estar siempre en silencio a pesar de cualquier fallo, fin de actividad, etc.
- Nunca se debe utilizar la sonda para carne en el modo de Sabbat.
- El tiempo de cocción máximo permitido debe ser de 72 horas.
- El usuario puede apagar el horno manualmente, incluso durante el modo de Sabbat, moviendo el selector de modo de cocción a la posición de apagado.
- Los ciclos de los elementos de calentamiento no deben depender del estado del interruptor de la puerta.
- Al abrir o cerrar la puerta no se deben cambiar los relés directamente.

Autolimpieza del horno

Este horno se caracteriza por una función de autolimpieza pirolítica que elimina la dificultad y el tiempo utilizado en una limpieza manual del interior del horno. Durante la autolimpieza el horno usa una temperatura muy alta (approx. 885°F/470°C) para eliminar los residuos de comida y grasa.

- Se puede autolimpiar un solo horno a la vez.
- Es normal ver humo y/o una llama ocasional durante el ciclo de autolimpieza, dependiendo del contenido y de la cantidad de suciedad que queda en el horno. Si la llama persiste, apague el horno y permita que se enfríe antes de abrir la puerta para limpiar los residuos de comida con un trapo.
- El pestillo de la puerta se activa automáticamente tras seleccionar el ciclo de autolimpieza. El icono de puerta cerrada aparecerá en la pantalla. Esto asegura que la puerta no se pueda abrir mientras el interior del horno se encuentra a la temperatura de limpieza.
- La lámpara del horno no funciona durante el modo de autolimpieza.
- Durante la autolimpieza es preciso ventilar bien la cocina para ayudar a eliminar los olores asociados con la autolimpieza. Los olores se perderán con el uso.
- El tiempo de autolimpieza presente dura tres horas.
- El modo se para automáticamente al final de las horas de limpieza.
- Cuando el calor del horno baja a una temperatura segura, se activa el bloqueo automático de la puerta y esta se puede abrir.

Antes de la autolimpieza

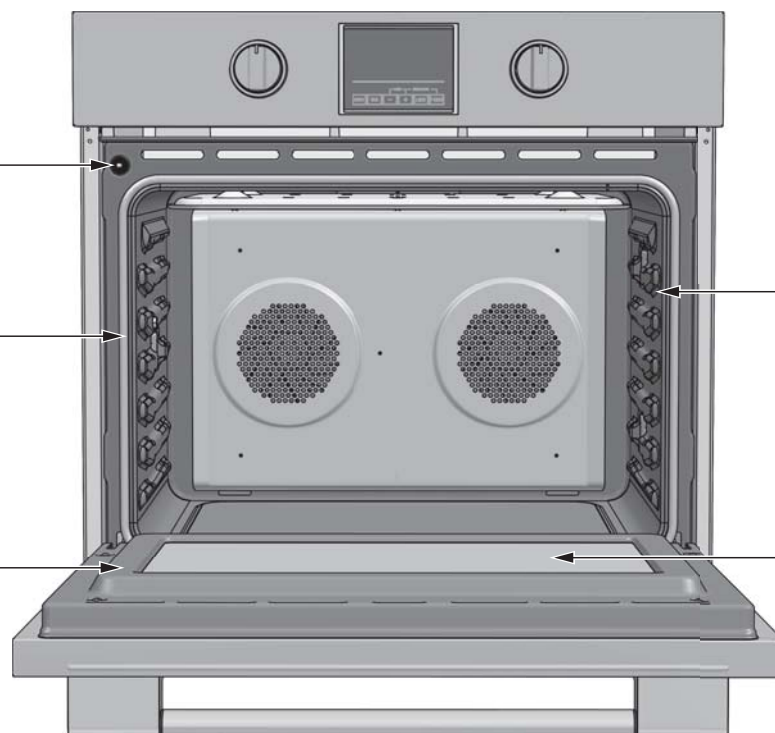
1. Quite todos los recipientes y la bandeja de asado.
2. Quite las rejillas del horno. Si se dejan las rejillas en el horno durante la autolimpieza perderán su acabado brillante y dejarán de deslizarse suavemente sobre las guías de las rejillas. Vea la Tabla de limpieza del horno para un cuidado apropiado, páginas 27 y 28.
3. Limpie cualquier resto y la grasa con toallas de papel. El exceso de grasa provocaría llamas y humos dentro del horno durante la autolimpieza.
4. Repase la figura de aquí abajo. Algunas zonas del horno se tienen limpiar a mano antes de iniciar este ciclo. No se calientan lo suficiente durante el ciclo de limpieza para quemar los residuos. Use una esponja jabonosa, un raspador de plástico o una esponjilla con detergente S.O.S.®. Limpie a mano el borde de la puerta, el marco delantero y superior hasta 1-½ "(2-3 cm) pulgadas por el interior del marco con detergente y agua caliente. No frote el empaque. Limpie a mano la ventana de la puerta del horno. Enjuague a fondo todas las zonas y luego séquelas.
5. Asegúrese de que las lámparas del interior estén apagadas y que las bombillas y la cubierta estén en sus lugares. Véase las página 30.

LIMPIEZA DEL HORNO

Limpe a mano el área del marco fuera del empaque

No limpie el empaque a mano

Limpe a mano la zona de la puerta fuera del empaque



Limpe a mano a una distancia de 1" (2cm) de las guías de las rejillas hasta el frente del interior del horno

Limpe a mano la ventana la puerta

Para configurar el modo de autolimpieza

1. Pulse el botón **UPPER/LOWER** para seleccionar el interior del horno que hay que limpiar, si el horno es el doble.
2. Gire ambas perillas a la posición de autolimpieza.
3. CLEAN & TIME aparecen en la pantalla.
4. Se muestra automáticamente la hora borrada y su valor estándar es de 3 horas.
5. Al final del tiempo de limpieza, el horno se apagará automáticamente.
6. Pare el modo de limpieza en cualquier momento, quite de la posición de limpieza una de las perillas.

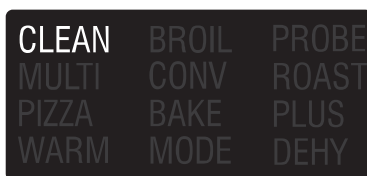
No intente abrir la puerta cuando esté bloqueada. Las indicaciones "AUTO LOCK" parpadearán hasta que se apague el motor. Cuando éstas aparezcan, no se podrá abrir la puerta. Compruebe que la puerta está bloqueada y que no se abrirá antes de iniciar la autolimpieza.

Si la puerta no se bloquea, gire la perilla del modo de cocción en la posición OFF y no inicie la autolimpieza; llame por teléfono al servicio (véase a página 100 para obtener el servicio).

Si la puerta está en posición abierta al seleccionar este modo, las indicaciones "AUTO LOCK" parpadearán hasta que se cierre la puerta. El pestillo no se moverá.

Para cambiar el tiempo de limpieza

1. Para cambiar el tiempo prefijado de 3 horas, seleccione otra hora para residuos ligeros o 4 horas para residuos resistentes inmediatamente antes de iniciar.
2. Para cambiar las horas, toque la tecla **TIME**.
3. Las horas parpadearán.
4. Utilice las teclas **+** o **-** para cambiar el valor.
5. Para cambiar los minutos, vuelva a tocar la tecla **TIME**.
6. Los minutos parpadearán.
7. Utilice las teclas **+** o **-** para cambiar el valor. Mantenga pulsada la tecla para cambiar en intervalos de 10 minutos.
8. Toque **TIME** o espere unos segundos para confirmar el nuevo valor.



Para retardar el inicio de la limpieza

1. Siga los pasos que aparecen arriba del 1 a 7.
2. Toque la tecla **TIME** y compruebe que "STOP TIME" aparece en pantalla. Las horas comenzarán a parpadear.
3. Utilice las teclas **+** o **-** para cambiar el valor de la hora de apagado.
4. Para cambiar los minutos, toque la tecla **TIME** y los minutos parpadearán.
5. Utilice las teclas **+** o **-** para cambiar el valor. Mantenga pulsada la tecla para cambiar en intervalos de 10 minutos.
6. Toque **TIME** o espere unos segundos para confirmar el nuevo valor.
7. El pestillo comenzará a moverse para bloquear la puerta del horno y en la pantalla aparecerá "DELAY".
8. Al acabar el tiempo de retardo, se iniciará la autolimpieza.
9. Al final del tiempo de limpieza programado, el horno se apagará automáticamente.
10. "End" aparecerá en la pantalla de temperatura y "CLEAN" en la pantalla de modo y "TIME" comenzará a parpadear en la pantalla de reloj hasta que se pulse la tecla **TIME** o el selector se mueva a la posición de apagado.

Para comprobar la limpieza o la hora de apagado durante la limpieza retardada, sólo tiene que pulsar la tecla **TIME** hasta que se muestren las indicaciones "TIME" o "STOP TIME".

Cómo usar la tabla de la limpieza del horno

1. Localice el número de la parte que tiene que limpiar en la figura de esta página.
2. Busque el nombre de la parte en la tabla.
 - Use el método de limpieza que aparece en la columna de la izquierda si el horno es blanco o negro.
 - Use el método de limpieza que aparece en la columna de la derecha si el horno es de acero inoxidable.
3. Haga coincidir la letra con el método de limpieza Phe de la página siguiente.

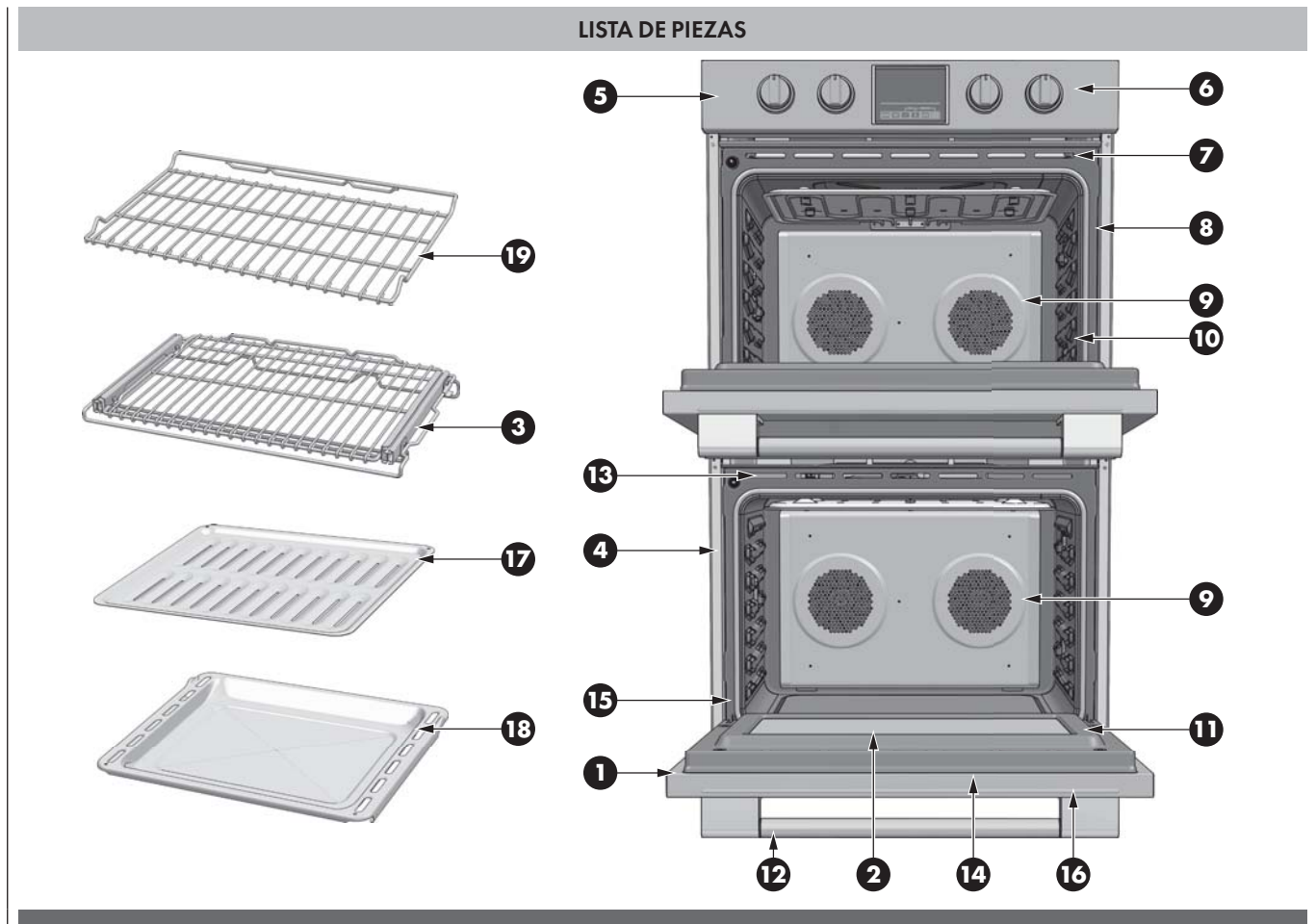


Tabla de limpieza							
Parte	Método de limpieza		Parte	Método de limpieza			
	Horno Negro/Blanco	Horno de Acero Inoxidable		Horno Negro/Blanco	Horno de Acero Inoxidable		
1	E	E	11	E	E		
2	F	F	12	D	D		
3	A or E	A or E	13	E	E		
4	D	D	14	C&D	C&G		
5	C	G	15	D	D		
6	C	C	16	D	D		
7	D	D	17	E	E		
8	E	E	18	E	E		
9	E	E	19	A	A		
10	B	B					

El horno completo se tiene que limpiar de manera segura con una esponja jabonosa, enjuagar y secar. Si no se consiguen eliminar residuos persistentes, siga los métodos de limpieza que se muestran aquí abajo.

- Use siempre el limpiador más suave para hacer el trabajo.
- Frote el acabado del metal en la dirección del granulado.
- Use trapos limpios y suaves, esponjas o toallas de papel.
- Enjuague a fondo con el mínimo de agua posible para que no gotee agua en el interior de las ranuras.
- Seque para evitar que se formen alones.

Los limpiadores que se enumeran aquí abajo indican el tipo de productos que hay que usar y no se recomiendan. Use todos los productos según las instrucciones del paquete.

Parte		Método de limpieza
A	Cromo placado	Lave con agua jabonosa caliente. O frote suavemente con esponjillas con Soft Scrub®, Bon-Ami®, Comet®, Ajax®, Brillo® o S.O.S® directamente. Se puede usar los limpiadores de horno Easy Off® o Dow® (fórmula de horno en frío), pero podrían provocar oscurecimientos y decoloración. Se pueden limpiar las rejillas en el horno durante el modo de autolimpieza, pero perderán su acabado brillante y cambiar permanentemente a un gris metálico.
B	Fibra de vidrio	NO LIMPIE EL EMPAQUE A MANO.
C	Cristal	Eche Spary Windex® o Glass Plus en una tela primero, y luego límpielo. Use Fantastik® o Formula 409® para quitar salpicaduras grasientas.
D	Pintura	Limpie con agua jabonosa caliente o aplique Fantastik® o Formula 409® primero a una esponja limpia o una toalla de papel y limpie. Evite el uso de limpiadores en polvo y esponjillas de fibra metálica y detergentes para hornos.
E	Porcelana	Limpie de inmediato derrames ácidos como jugos de fruta, leche y jitomate con una toalla seca. No use una esponja/toalla húmeda sobre porcelana caliente. Cuando ya está fría, limpie con agua jabonosa caliente o aplique Bon-Ami® o Soft Scrub® a una esponja húmeda. Enjuague y seque. Para manchas resistentes, use suavemente esponjillas con Brillo® o S.O.S.®. Es normal que la porcelana se agriete (líneas finas) con el tiempo debido a la exposición al calor y a los residuos de comida.
F	Cristal reflectante	Limpie con agua caliente jabonosa y una esponja o un estropajo de plástico. Para las manchas de agua, use vinagre, Windex®, amoníaco o Bon-Ami®. NO USE ABRASIVOS DUROS
G	Acero inoxidable	Siempre limpie con el grano. Limpie con una esponja jabonosa luego enjuague y seque o limpie con Fantastik® o Formula 409® aplicado a una toalla de papel. Proteja y limpie con Stainless Steel Magic® y un trapo suave. Quite las manchas de agua con un trapo humedecido con vinagre blanco. Use Bar Keeper's Friend® para quitar la decoloración térmica.
H	Sonda (si presente)	La limpieza de la sonda ha de realizarse con detergente y agua caliente. Luego enjuague y seque. No ponga a remojo ni meta en el lavavajillas.

⚠ ADVERTENCIA

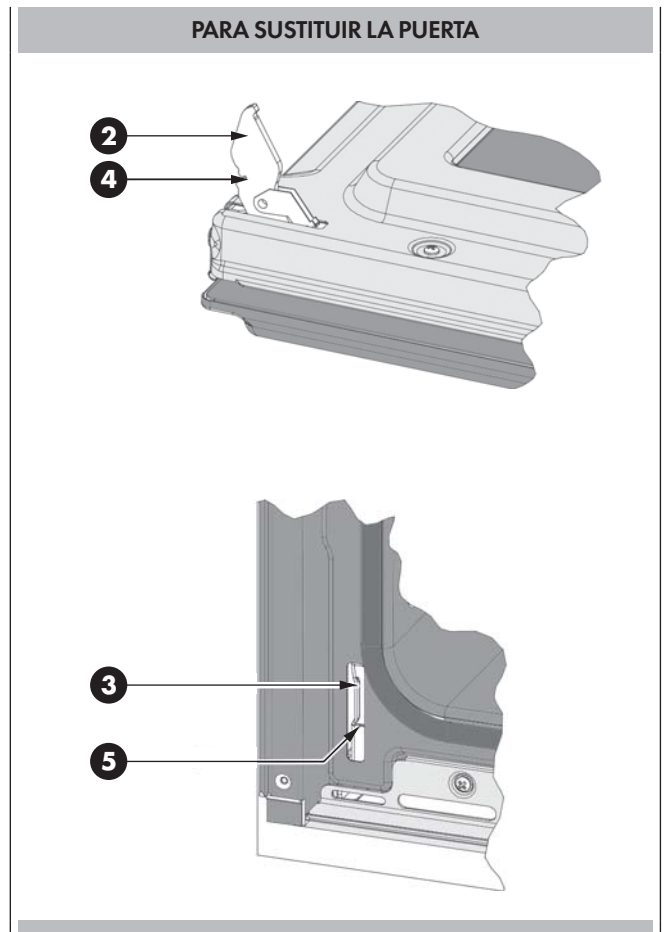
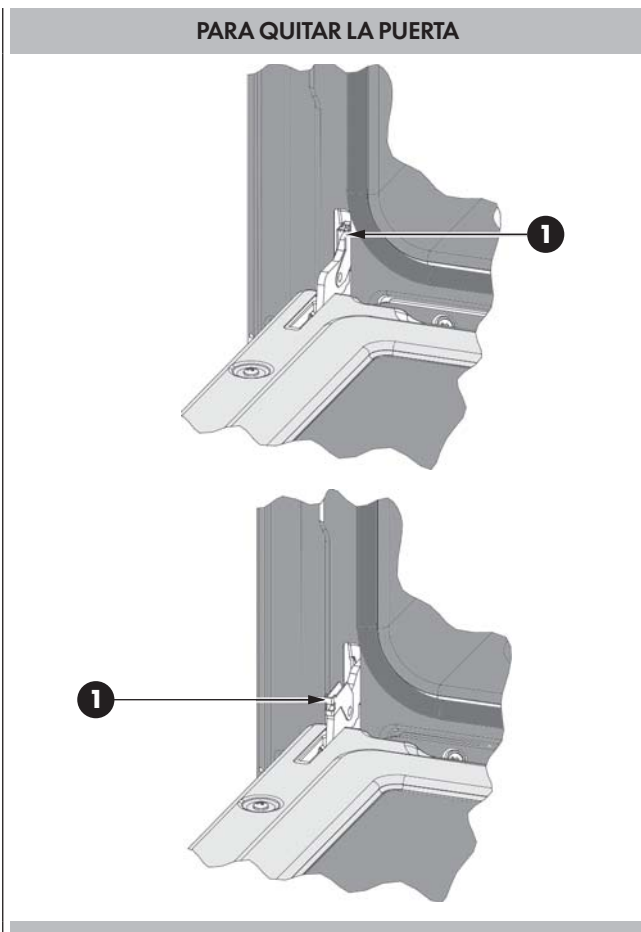
- Asegúrese de que el horno esté frío y de que se haya apagado la corriente antes de quitarla puerta. De otro modo podría causar una descarga eléctrica o quemaduras.
- La puerta del horno es pesada y frágil. Use ambas manos para quitar la puerta. La parte frontal de la puerta es de vidrio. La puerta delantera es de vidrio y cuenta con 4 paneles.
- Agarre solo los costados de la puerta del horno.
- No use la agarradera ya que podría girar en su mano y causar daños o heridas.
- Si no agarra firmemente y de la manera correcta la puerta del horno podría causar lesiones a personas o daños al producto

Para quitar la puerta

1. Abra completamente la puerta.
2. Quite de golpe el clip de seguridad de la bisagra de cada una de las bisagras hacia usted (1).
3. Sujete la puerta firmemente por ambos lados con ambas manos y cierre la puerta hasta que sienta que se detiene en la pinza de seguridad.
4. Sujete con firmeza; la puerta es pesada. Levante y tire hacia usted, puede que tenga que jugar un poco para sentir que las bisagras se desacoplan del bastidor del horno.
5. Coloque la puerta en un lugar adecuado.

Para volver a colocar la puerta

1. Introduzca los brazos superiores (2) de ambas bisagras en las ranuras (3). Las hendiduras (4) deben quedar enganchadas en los bordes (5).
2. Ponga los clips de seguridad de la bisagra (1) de nuevo en su posición. Si las pinzas de seguridad no pueden ser fácilmente movidas de vuelta a su posición normal de funcionamiento, es decir, las pinzas golpean el bastidor, entonces la puerta no está correctamente colocada. Retirar nuevamente las pinzas de seguridad y vuelva a insertar la puerta - usted sentirá un ajuste o un ligero descenso cuando las bisagras se acoplan al bastidor correctamente.
3. Cierre y abra lentamente la puerta para asegurarse de que se ha colocado de forma correcta y firme.

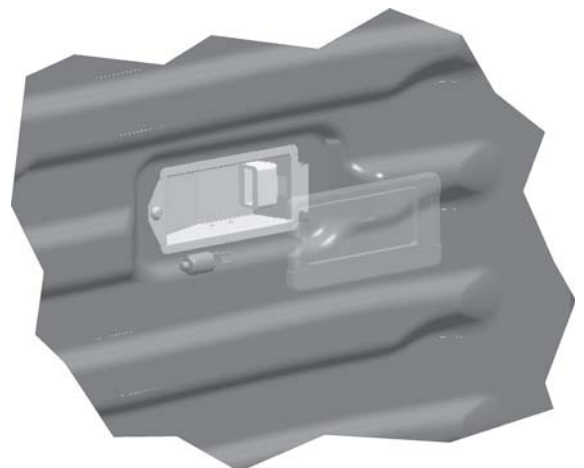
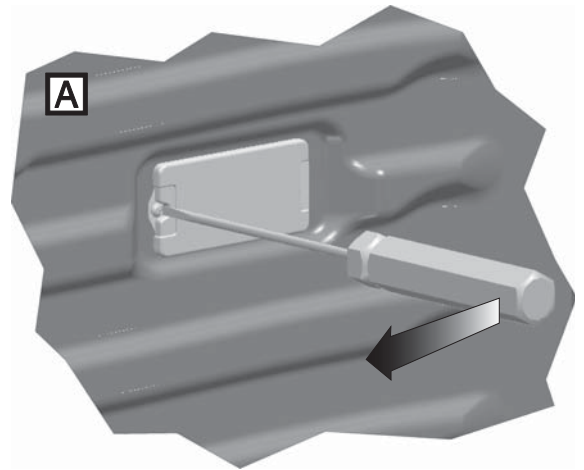
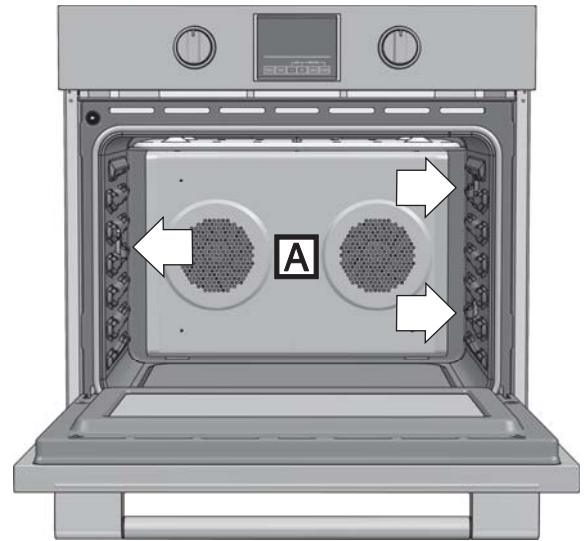


- Todos los hornos están equipados con luces halógenas ubicadas las paredes laterales del horno.
- Las luces se enciende cuando las puertas se abren o cuando se encuentra en el ciclo de cocción.
- Las lámparas del horno no están encendidas durante la AUTOLIMPIEZA.
- Cada lámpara consiste en unas lentes removibles, una bombilla y un casquillo que está fijado en su lugar. Vea la figura de esta página.
- La sustitución de la bombilla se considera un mantenimiento de rutina.

Para reemplazar la bombilla

1. Lea la ADVERTENCIA de esta página.
2. Apague la corriente general (caja de fusibles o cortocircuito).
3. En los hornos de convección quite la tapa del ventilador destornillando los 4 tornillos con un destornillador.
4. Retire la lente para hacer palanca entre el tornillo y el cristal con un destornillador.
5. Extraiga la bombilla de su casquillo.
6. Sustituya la bombilla con otra. Evite tocar la bombilla con los dedos, porque la grasa de las manos podría dañar la bombilla cuando se calienta.
7. La bombilla es halógena: utilice una del mismo tipo comprobando los voltios y vatios.
8. Enrosque las lentes.
9. Vuelva a colocar la tapa del ventilador si el modelo está dotado con ello.
10. Restablezca la corriente general (caja de fusibles o cortocircuito).

LUZ DEL HORNO



⚠ ADVERTENCIA

- Asegúrese de que el horno y las lámparas estén frías y la corriente está apagada antes de reemplazar la(s) bombilla(s).
- Puede haber un fallo debido a una descarga eléctrica o a quemaduras.
- Las lentes tienen que estar montadas cuando se usa el horno.
- Las lentes sirven para evitar que se rompan las bombillas.
- Las lentes son de vidrio. Manéjelas con cuidado para evitar que se rompan. Los vidrios rotos pueden causar lesiones.

Tanto con el Horneado como con el Horneado de convección, los resultados escasos pueden ocurrir por muchas razones además de por un mal funcionamiento del horno. Controle la tabla para las causas de los problemas más comunes. Debido a que el tamaño, la forma y el material de los utensilios de hornear tienen un efecto directo sobre los resultados del horneado, la mejor solución podría ser remplazar los viejos utensilios de hornear que se han oscurecido y deformado con el tiempo y el uso. Revise también la tabla de Horneado de las páginas de la 17 a la 22, la posición de la rejilla y el tiempo de hornear.

Problema de horneado	Causa
Los alimentos se doran poco uniformes	<ul style="list-style-type: none"> - El horno no está precalentado - Papel de aluminio en la rejilla o fondo del horno - Utensilios de hornear son demasiado grandes - Los moldes tienen contacto o tocan la pared
Los alimentos quedan muy	<ul style="list-style-type: none"> - El horno no está precalentado - Se usa un molde de vidrio, mate o de metal oscuro - Posición incorrecta de la rejilla - Los moldes tienen contacto o tocan la pared
Los alimentos quedan muy secos o muy encogidos	<ul style="list-style-type: none"> - Temperatura del horno muy alta - Tiempo de hornear muy largo - Se abrió la puerta del horno frecuentemente - El molde es demasiado grande
Los alimentos se hornean o asan muy lentamente	<ul style="list-style-type: none"> - Temperatura del horno muy baja - El horno no está precalentado - Se abrió la puerta del horno frecuentemente - Muy sellado con papel de aluminio - El molde es demasiado pequeño
Las costras de pays no se doran en el fondo o quedan muy empapadas.	<ul style="list-style-type: none"> - Tiempo de hornear insuficiente - Se usan moldes de acero brillosos - Posición incorrecta de la rejilla - Temperatura del horno muy baja
Los pasteles no se doran y quedan planos, tal vez sin terminar por adentro	<ul style="list-style-type: none"> - Temperatura del horno muy baja - Tiempo de hornear incorrecto - Se probó el pastel antes de tiempo - Se abrió la puerta del horno frecuentemente - El molde es demasiado grande
Los pasteles quedan elevados en el centro con grietas en la parte superior	<ul style="list-style-type: none"> - Temperatura del horno muy alta - Tiempo de hornear muy largo - Los moldes tienen contacto o tocan la pared - Posición incorrecta de la rejilla - El molde es demasiado pequeño
Los bordes de la costra de pays quedan muy dorados	<ul style="list-style-type: none"> - Temperatura del horno muy alta - Los bordes de la costra son muy delgados

Antes de llamar y solicitar el servicio, controle lo siguiente para evitar cargas de servicio innecesarias.

Problema del horno	Pasos para resolver los problemas
F03 o F04 aparecen en la pantalla	Ocurrió un problema con el bloqueo. Apague la corriente y vuelva a encenderla después de unos segundos. El horno debe realizar una autoprueba de bloqueo. Si la condición sigue igual, anote el número del código y llame a un centro de servicio autorizado.
Otro error_F aparece en la pantalla	Apague la corriente y vuelva a encenderla después de unos segundos. El horno debe realizar una autoprueba de bloqueo. Si la condición sigue igual, anote el número del código y llame a un centro de servicio autorizado.
La pantalla del horno se queda apagada	Apague la corriente general (caja de fusibles o cortocircuito). Vuelva a conectar el circuito. Si la condición sigue igual, llame el centro de servicio autorizado.
El ventilador de enfriamiento sigue funcionando después de apagar el horno	Esto es normal. El ventilador se apaga automáticamente cuando los componentes electrónicos se hayan enfriado suficientemente.
La puerta del horno está cerrada y no se abre, aún estando fría	Apague el horno en el cortacircuito y espere unos segundos. Vuelva a conectar el circuito. El horno debe reiniciarse y se podrá operar.
El horno no calienta	Revise el cortacircuito o la caja de fusibles en su casa. Asegúrese de que hay una alimentación eléctrica correcta para el horno. Asegúrese de haber seleccionado la temperatura del horno.
El horno no cocina de un modo uniforme	Revise la calibración del horno. Ajuste la calibración si es necesario (vea Compensación de la Temperatura del Horno, Pág. 12). Consulte las tablas de cocinar para las posiciones recomendadas de rejillas. Siempre reduzca la temperatura de recetas 25 °F (15 °C) cuando hornea con el modo de horneado de convección.
La temperatura del horno está muy alta o muy baja	Se debe ajustar el termostato del horno. Vea Calibrar la Temperatura del Horno, Pág. 12.
Las luces del horno no funcionan correctamente	Reemplace o reinserte el foco si está flojo o defectuoso. Vea la Pág. 30. La bombilla se puede quemar si lo toca con los dedos.
La luz del horno se queda encendida	Compruebe si hay obstrucciones en la puerta del horno. Compruebe si la bisagra está doblada o el cerrojo de la puerta está roto.
No se puede quitar la cubierta del lente	Puede haber sólidos acumulados alrededor de la cubierta. Limpie el área del lente con una toalla seca y limpia antes de tratar de quitar la cubierta de la lente.
El horno no se autolimpia bien	Permita que el horno se enfríe antes de ejecutar la autolimpieza. Siempre elimine suciedades sueltas o derrames pesados antes de la autolimpieza. Si el horno está muy sucio, configure una autolimpieza de cuatro horas. Vea Autolimpieza del Horno, Pág. 25.
El reloj y cronómetro no funcionan bien	Asegúrese de que la corriente eléctrica sea correcta para el horno. Vea las secciones sobre Reloj y Temporizador, Pág 11.
Hay mucha humedad	Cuando utiliza el modo de hornear debe precalentar el horno. El horneado de convección elimina cualquier humedad en el horno (esta es una de las ventajas de la convección).
Astillas de porcelana	Al quitar y reemplazar las rejillas del horno, siempre debe inclinarlas hacia arriba y no forzarlas para evitar astillar la porcelana.

Registro de datos para el servicio

Cómo obtener servicio Para información sobre servicio autorizado o refacciones, ver el párrafo "Fulgur Garantía ..".

Al abrir la puerta del horno se puede ver la etiqueta con el número de serie del producto. Se encuentra del lado izquierdo, centrada verticalmente justo dentro de la cavidad del horno. Vea la Pág. 73. Ahora es un buen momento para anotar esta información en el espacio proporcionado abajo. Guarde su factura para validar la garantía.

Service Data Record
Número del Modelo _____
Número de Serie _____
Fecha de instalación y ocupación _____

SOFIA

PROFESSIONAL COLLECTION



SOFIA PLATE CODE

PERSONALIZE YOUR COMPLIMENTARY NAMEPLATE
USE THE PRODUCT CODE TO ACCESS OUR WEB APP

FULGOR
MILANO

YOUR LIFE | OUR PASSION

www.fulgor-milano.com/us

09FL8500 ed 02/2018