

FULGOR

MILANO

F6FBM36S1
F6FBM36S2

en

Instruction Manual

es

Instrucciones para el uso

fr

Notice d'Utilisation







Congratulations on the purchase of your new Refrigerator! This refrigerator has been manufactured in modern facilities with the utmost care and meticulous quality controls. We are so confident in the quality of this product that we back it with a two year parts and labor warranty, and five years on the sealed system! Please read this entire user manual before using your product, to ensure you understand all of its features and benefits and know how to operate it properly. This manual should be kept in an easily accessible location and passed on to any future owners.

This guide will help you use the product quickly and safely.

Please read the user guide carefully before installing and operating the product.

- Always observe the applicable safety instructions.
- Please read any other documents provided with the product.
- Keep in mind that this user guide may apply to several product models. Please note the various symbols used throughout this manual and what they represent.

	Important information and useful tips.	<i>Fill this out and keep for future reference</i>	
	Risk of life and property.	<i>Model</i>	
	Risk of electric shock.	<i>Serial No</i>	
	The product's packaging is made of recyclable materials, in accordance with the National Environment Legislation.	<i>Date of Purchase</i>	
		<i>Original Purchaser</i>	
		<i>Dealer</i>	
		<i>City</i>	
		<i>State</i>	
		<i>Zip Code</i>	
		<i>Country</i>	

1 Your Refrigerator 4

2 Important instructions for safety and environment 6

2.1	General safety	6
2.1.1	HCA warning	7
2.1.2	For products with a water dispenser	7
2.2	Intended use	7
2.3	Children's safety	7
2.4	Package information	7

3 Installation 8

3.1	Before Installation	12
3.2	Appropriate installation location	12
3.3	Inset installations	13
3.4	Electrical connection	13
3.5	Adjusting the feet	13
3.6	Illumination lamp	14
3.7	Door/Drawer Open Warning	14
3.8	Water connection	14
3.9	Connecting the water hose to the refrigerator	14
3.10	Connecting the water line to the water supply	14
3.11	Installing the Internal Water Filter	15
3.12	Before using the water dispenser	16
3.12.1	Using the Ice Maker	16
3.13	Transportation of the product	16

4 Preparation 17

5 Display and operating the product 18

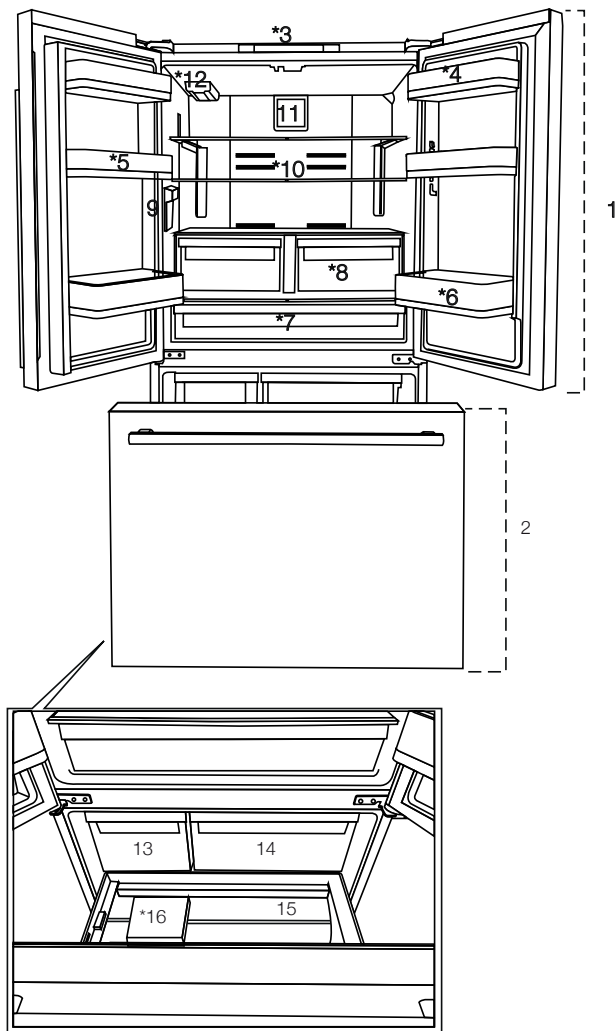
5.1	Indicator panel	18
5.2	Sabbath Mode	19
5.3	Showroom Mode	19
5.4	High Temp Error	19
5.5	Freezing fresh food	21
5.6	Recommendations for preserving frozen food	21
5.7	Placing the food	21
5.8	Deep-freeze information	21
5.9	Removing door shelves	22
5.10	Moving the FlexiLift Door Shelf	22
5.11	Glass shelves	22
5.12	Crisper bins	22
5.13	Deli Drawer	22
5.14	Humidity controlled crisper	23
5.15	Ice container	23
5.16	Butter & Cheese section	23
5.17	Door flappers	23
5.18	ActiveFresh Blue Light	24
5.19	IonGuard	24

6. Maintenance and cleaning 25

6.1	Avoiding bad odors	25
6.2	Protecting the plastic surfaces	25

7. Troubleshooting 26

1 Your Refrigerator



- 1- Fridge compartment
- 2- Bottom Freezer
- 3- Display/indicator panel
- 4- Butter & cheese section
- 5- FlexiLift Door Shelves
- 6- Bottle shelf
- 7- Deli Drawer
- 8- Crispers
- 9- Water dispenser
- 10- Adjustable glass shelf
- 11- Fan Cover
- 12- Water filter
- 13- Ice container
- 14- Frozen Food Storage Bin
- 15- Freezer Drawer
- 16- Separator



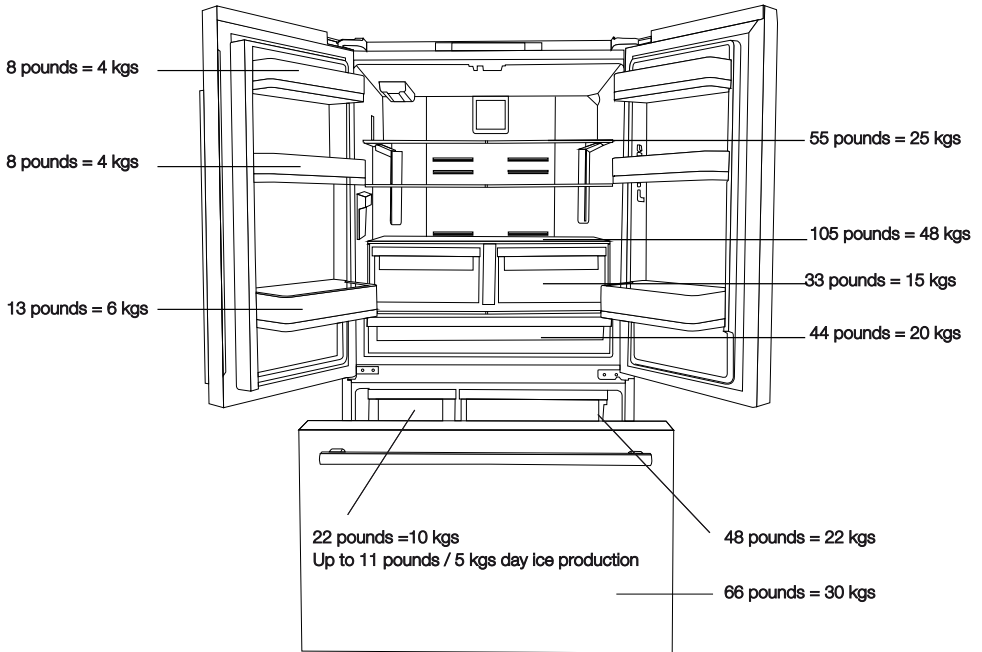
Figures in this user manual are schematic and may not match the product exactly. If the subject parts are not included in the product you have purchased, then those parts are only valid for other models.

Refrigerator Shelf Weight Limitations

Fridge compartment cantilever shelves, those that only have rear supports, are tested for max 25 kgs (55 pounds) per each part.

Crispers will hold up to 15 kgs (33 pounds) per each one. Deli Drawer will hold up to 20 kgs (44 pounds).

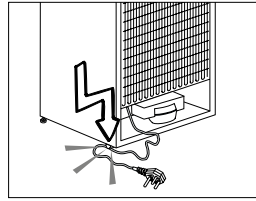
Ice container bin holds up to 10 kgs (22 pounds), it is for usage without ice. Freezer bin will hold up to 24 kgs (53 pounds) and drawer holds up to 30 kgs (66 pounds).



2 Important instructions for safety and environment

This section contains safety instructions that will help protect from risk of personal injury or property damage.

Failure to follow these instructions shall void any warranty.



	WARNING: Keep ventilation openings, in the appliance enclosure or in the built-in structure, clear of obstruction.
	WARNING: Do not use mechanical devices or other means to accelerate the defrosting process, other than those recommended by the manufacturer.
	WARNING: Do not damage the refrigerant circuit.
	WARNING: Do not use electrical appliances inside the food storage compartments of the appliance, unless they are of the type recommended by the manufacturer.

2.1 General safety

- The product can be used by children at and above 8 years old and by persons whose physical, sensory or mental capabilities were not fully developed or who lack experience and knowledge provided that they are supervised or trained on the safe usage of the product and the risks it brings out. Children must not play with the product. Cleaning and maintenance should not be performed by children unless they are supervised.
- Unplug the product if a failure occurs while it is in use.
- If the product has a failure, it should not be operated unless it is repaired by the Authorized Service Agent. There is the risk of electric shock!
- Connect the product to a grounded outlet protected by a fuse complying with the values in the rating plate. Have the grounding installation made by a qualified electrician. Our company shall not be liable for any damages that may arise when the product is used without grounding in accordance with the local regulations.
- Do not tuck the power cord under the product. Do not put heavy items on the power cord. The power cord should not be bent, crushed, and come into contact with any heat source.

- Never wash the product by spreading or pouring water onto it! There is the risk of electric shock!
- Never touch the plug with wet hands! Never unplug by pulling on the cable, always pull out by grabbing the plug.
- Do not plug the refrigerator into a loose wall receptacle.
- Never connect your refrigerator to electricity-saving systems. Such systems are harmful for the product.
- Unplug the product during maintenance, cleaning and repairing procedures.
- Always have the installation and repairing procedures carried out by the **Authorized Service Agent**. The Manufacturer shall not be held liable for damages that may arise from procedures carried out by unauthorized persons.
- Do not put bottled and canned liquid beverages in the freezer compartment. They may burst!
- Never use steam and steam assisted cleaning materials to clean or defrost the refrigerator. Steam will cause short circuit or electric shock since it would get into contact with the electrical parts in the refrigerator!
- Never use the parts on your refrigerator such as the door and drawer as a means of support or step. This will cause the product to tip over or parts of it get damaged.
- Do not damage the cooling circuit with drilling or cutting tools. The refrigerant that might blow out when the gas channels of the evaporator, pipe extensions or surface coatings are punctured may cause skin irritations and eye injuries.
- Do not cover or block the ventilation holes on the refrigerator with any material.
- Do not use gaseous sprays near the product since there is the risk of fire or explosion!
- Flammable items or products that contain flammable gases (e.g. spray) as well as the explosive materials should never be kept in the appliance.
- Do not place containers filled with liquid on top of the product. Spilling water on an electrical component may cause electric shocks or risk of fire.
- Do not store products (vaccines, heat-sensitive medicines, scientific materials and etc.) that require a precise temperature control in the refrigerator.

Important instructions for safety and environment

- If you will not operate the product for a long period of time, unplug and unload the food in it.
- If the product is equipped with blue light, do not look at the blue light with optical tools.
- Do not overload the product. It may fall when the door is opened, and cause injury or damage. Similar problems may occur in case of putting things on top of the product.
- Pay attention not to have your hand or any part of your body get caught by the moving parts inside the product.

2.1.1 HCA warning

• If your product's cooling system contains R600a: This gas is flammable. Therefore, pay attention to not damaging the cooling system and piping during usage and transportation. In the event of damage, keep your product away from potential fire sources that can cause the product catch a fire and ventilate the room in which the unit is placed.



You can identify the type of gas used in your product by referring to the the model/serial tag located on the left wall of the upper compartment.



WARNING: Never dispose the product in fire.

2.1.2 For products with a water dispenser

- Pressure for cold water inlet shall be maximum 90 psi (620 kPa). If your water pressure exceeds 80 psi (550 kPa), use a pressure limiting valve in your mains system. If you do not know how to check your water pressure, ask for the help of a professional plumber.
- If there is risk of water hammer effect in your installation, always use water hammer prevention equipment in your installation. Consult professional plumbers if you are not sure if there is a water hammer effect in your installation.
- Do not install on the hot water inlet. Take precautions against of the risk of freezing of the hoses. Normal operating water temperatures should be between 33F° (0.6°C) minimum and 100F° (38°C) maximum.
- Use only potable water.

2.2 Intended use

- This product has been designed for domestic use. It is not suitable for commercial use and it must not be used out of its intended use.
- Product must be used only for storing food.
- The manufacturer waives any responsibility arisen from incorrect usage or transportation.

2.3 Children's safety

- Children must be supervised to prevent them from tampering with the product.



DANGER: Risk of child entrapment.

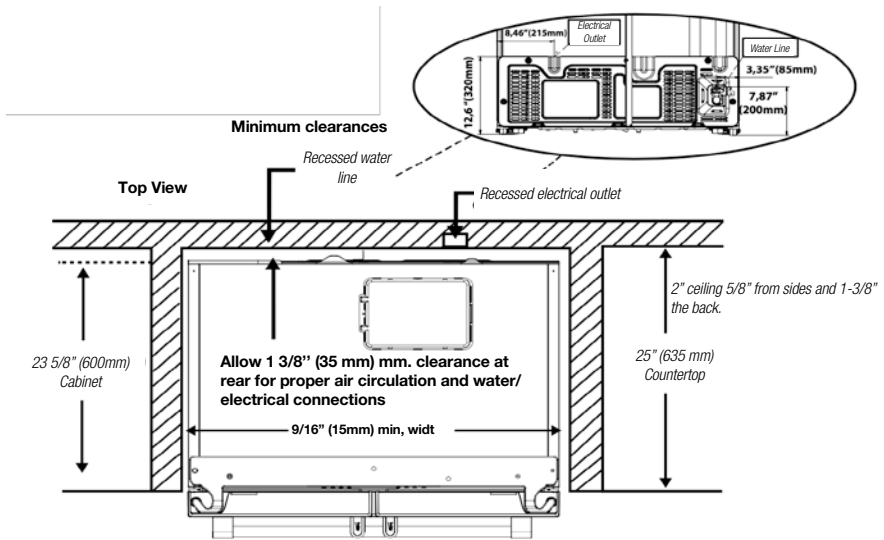
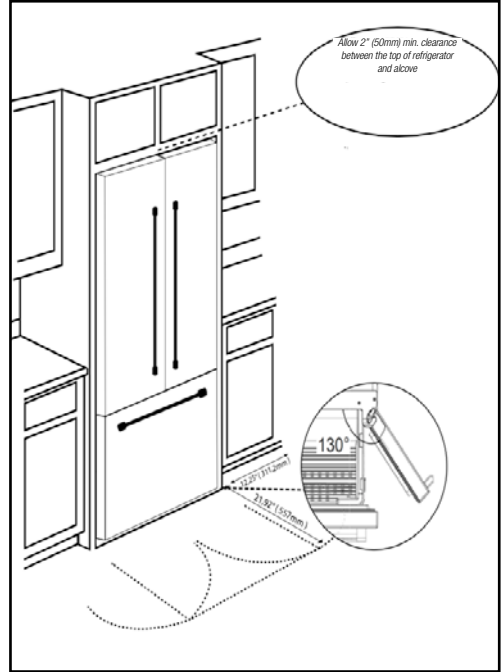
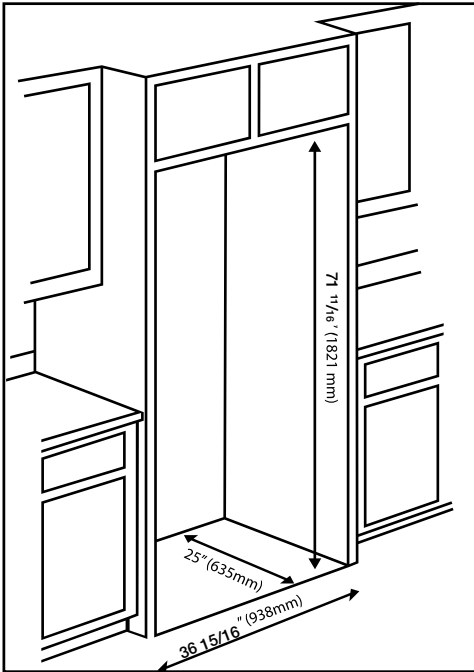
Before you throw away your old refrigerator or freezer:

- Take off the doors.
- Leave the shelves in place so that children may not easily climb inside.

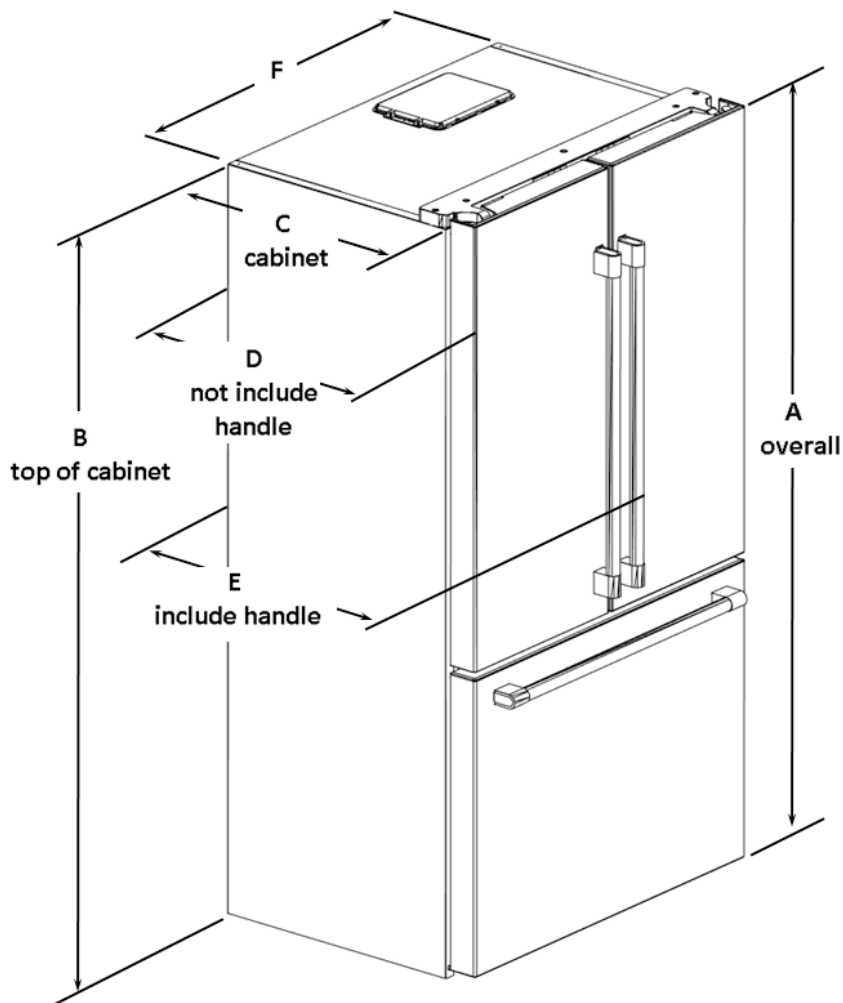
2.4 Package information

- Packaging materials of the product are manufactured from recyclable materials in accordance with our National Environment Regulations. Do not dispose of the packaging materials together with the domestic or other wastes. Take them to the packaging material collection points designated by the local authorities.
- Contact qualified personnel for disposal.

3 Installation

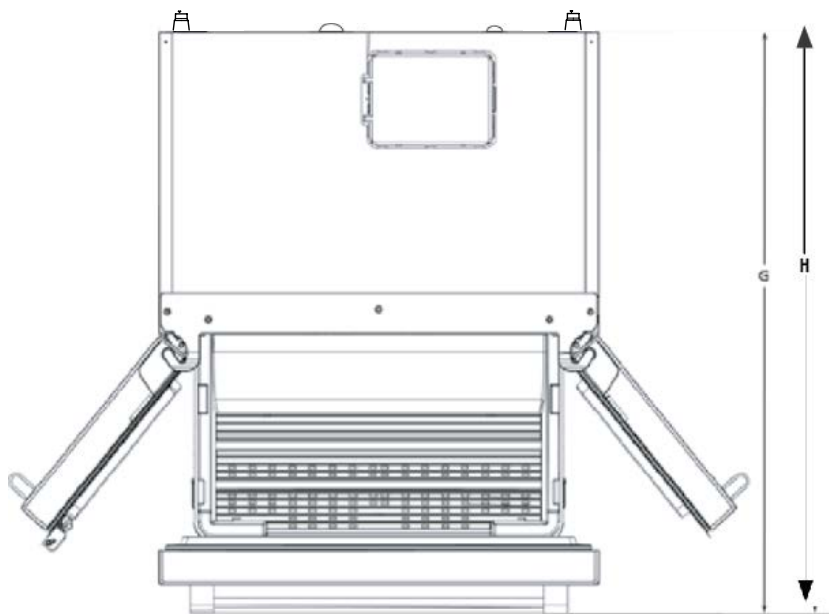


Installation



Height-Overall "A"	Height-TopOfCabinet "B"	Depth-CabinetOnly "C" "Q"	Depth-Without Handles "D"
69 3/4" (1771 mm)	67 5/16" (1710 mm)	23 5/8" (600 mm)	26 13/16" (680.5 mm)
Depth-With Handles "E"	Width-Cabinet "F"	Depth-DrawerOpen "G"	TotalDepth-DrawerOpen "H"
29" (737 mm)	35 3/4" (908 mm)	45 9/16" (1157 mm)	46 3/16" (1173.5 mm)

Installation



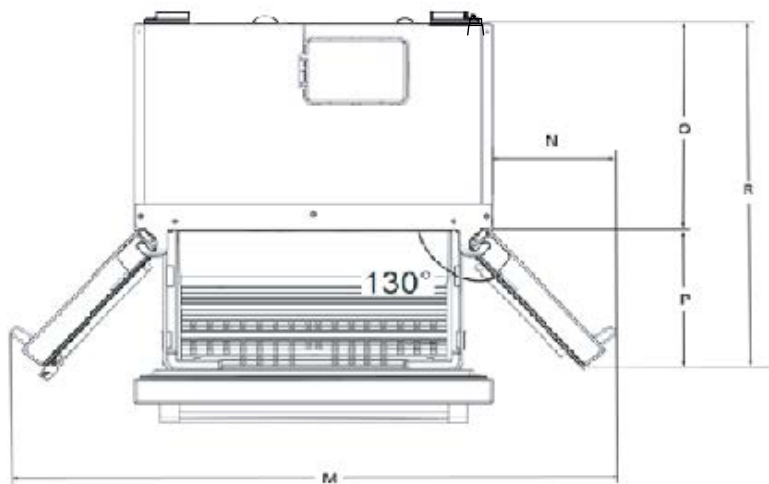
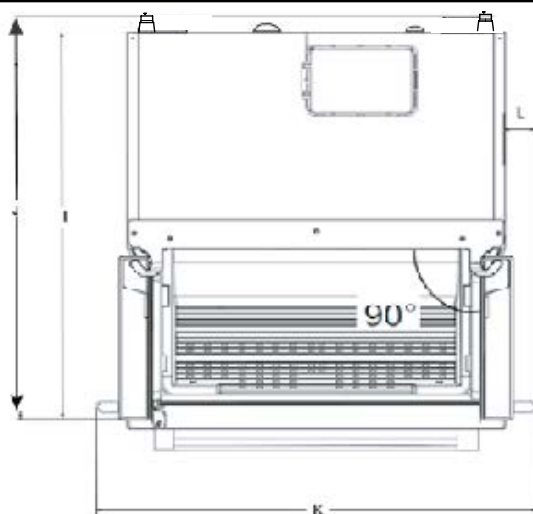
Height-Overall "A"	Height-TopOfCabinet "B"	Depth-CabinetOnly "C" "O"	Depth-Without Handles "D"
69 3/4" (1771 mm)	67 5/16" (1710 mm)	23 5/8" (600 mm)	26 13/16" (680.5 mm)
Depth-With Handles "E"	Width-Cabinet "F"	Depth-DrawerOpen "G"	TotalDepth-DrawerOpen "H"
29" (737 mm)	35 3/4" (908 mm)	45 9/16" (1157 mm)	46 3/16" (1173.5 mm)

Min Clearance From the Top: 2" inches

Min Clearance From the Sides: 5/8" inches

Min Clearance From the Back: 1 3/8" inches

Installation



Depth-Doors Open 90° "I"	Total Depth-Doors Open 90° "J"	Width-Doors Open 90° With Handles "K"	Width-Doors Open 90° - From Cabinet To Handle "L"
42 1/4" (1072.6 mm)	43 1/16" (1094 mm)	41 11/16" (1059.2 mm)	3" (75.6 mm)
Width- Doors Open 130° - From Handle To Handle "M"	Width-Doors Open 130° - From Cabinet To Handle "N"	Depth-Doors Open 130° "P"	Depth Doors Open 130° "R"
60 1/4" (1530.2 mm)	12 1/4" (311.2 mm)	15 3/8" (391 mm)	39" (991mm)

Installation






3.1 Before Installation

- Before installing, be sure the opening measurements are sufficient to receive the product and that the appropriate electrical and plumbing connections are present.

Water line pressure values	psi	kPa	bar
Max Operating pressure:	90	620	6.2
Max pressure for limiting valve device requirement:	80	550	5.5

Electrical requirements	
Voltage	120V AC
Frequency	60 Hz
Current	15 A

- Refer to the nearest Authorized Service Agent for installation of the product. To make the product ready for use, make sure that the electricity installation is appropriate before calling the Authorized Service Agent. If not, call a qualified electrician to have any necessary arrangements carried out.
- Your product comes with an internal water filter. Part number of the filter is 4918450200 and you can use this part number when ordering replacement filters.

	Preparation of the location and electrical installation at the place of installation is under customer's responsibility.
	Plumbing: The refrigerator should only be connected to the cold water line.
	Product must not be plugged in during installation. Otherwise, there is the risk of death or serious injury!
	WARNING: Installation and electrical connections of the product must be carried out by the Authorized Service Agent. Manufacturer shall not be held liable for damages that may arise from procedures carried out by unauthorized persons.
	WARNING: Prior to installation, visually check if the product has any defects on it. If so, do not have it installed. Damaged products cause risks to your safety.

3.2 Appropriate installation location

- Install the product at least 12" (30 cm) away from heat sources such as cooktops, ovens, space heaters, radiators and stoves at least 2" (5 cm) away from electrical ovens. Product must not be subjected to direct sun light and kept in humid places after installation.
- Do not place the product on the materials such as rugs or carpets.
- Place the product on an even floor surface to prevent wobbling.
- Do not install the product in places where the temperature falls below 50F°/10°C.



If two refrigerators are to be installed side by side, there should be at least 1 1/2" (4 cm) distance between them.

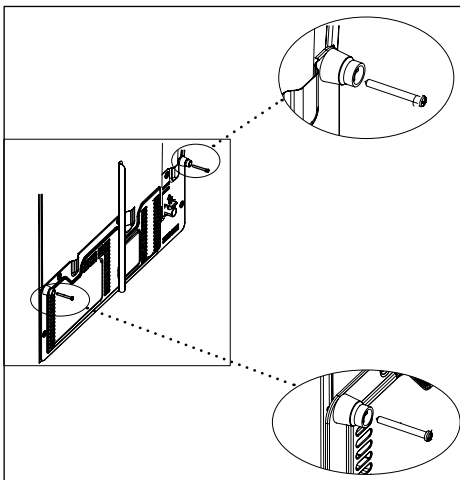
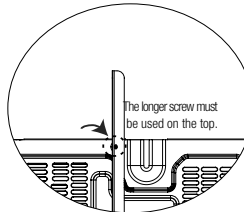
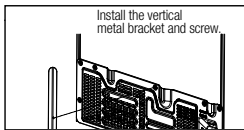
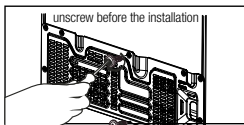
- Make sure that sufficient room is provided around the appliance to ensure free air circulation.
- For proper functionality, there should be a gap of at least 1 3/8" (35 mm) between the refrigerator and the rear wall. To ensure this, attach the gray, circular buffers, to be installed on the rear back metal cover of the refrigerator. These are shipped inside the crisper drawer in the Fresh Food compartment.

Installation

3.3 Inset installations

- If the product will be installed within surrounding cabinetry or in an alcove, be sure there is adequate airflow around the product for proper functionality. This refrigerator requires at least 2" from the top of the unit to the ceiling or enclosure, 5/8" on each side and 1 3/8" in the back.
- For proper air flow when installed in an inset or alcove, be sure the parts shown below are installed on the unit.

circulation part



3.4 Electrical connection

- 120VAC, 60Hz, Dedicated 15Amp Circuit.
- GFCI outlets will provide added protection, but any failure of the GFCI could cause food spoilage, which is not covered by the manufacturer's warranty.
- Electrical connection must comply with national regulations.
- Power cable plug must be within easy reach after installation.
- Do not make connections via extension cables or multi-plugs.



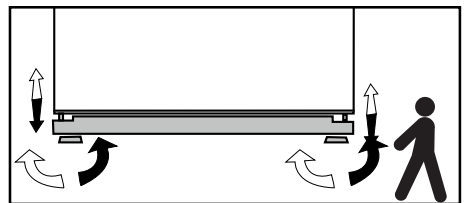
WARNING: Damaged power cable must be replaced by the Authorized Service Agents.



WARNING: If the product has a failure, it should not be operated unless it is repaired by the Authorized Service Agent! There is the risk of electric shock!

3.5 Adjusting the feet

After moving the refrigerator into place, we recommend lowering the feet to secure the product in place. You can also adjust the feet if the product is not balanced. Twist the feet in the desired direction according to the illustration below. Adjusting the feet can also be used to align the doors.



WARNING: First unplug the product. Product must not be plugged in when adjusting the feet. There is the risk of electric shock!

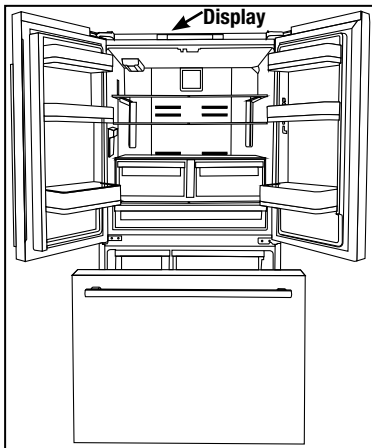
3.6 Illumination lamp

Do not attempt to repair yourself but call the Authorized Service Agent if the LED illumination lamps do not go on.

The lamp(s) used in this appliance is not suitable for household room illumination. The intended purpose of this lamp is to assist the user to place foodstuffs in the refrigerator/freezer in a safe and comfortable way.

3.7 Door/Drawer Open Warning

An audio warning signal will be given when the door of your product is left open for 1 minute. This warning will be muted when the door is closed or if any of the display buttons are pressed.



3.8 Water connection

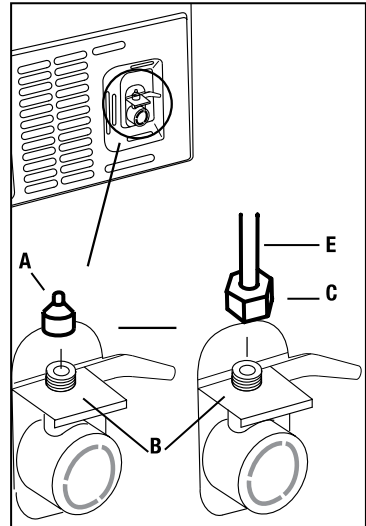
First you must connect the water hose to the refrigerator.



WARNING: Refrigerator and the pump, if any, must be unplugged during connection.

3.9 Connecting the water hose to the refrigerator

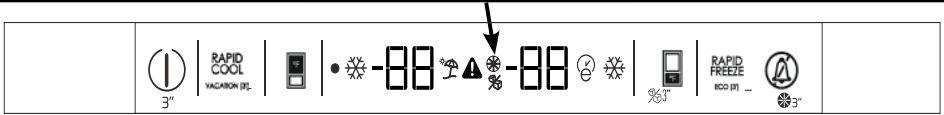
1. Remove the valve channel cover (A) from the water inlet valve.
2. Connect the water line (C) to the inlet valve (B) and tighten by hand to secure it. It is not necessary to use pliers, but if there is a leak, you may tighten slightly with a pair of pliers.



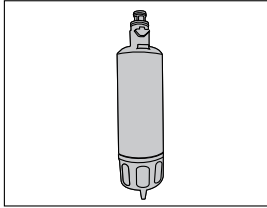
3.10 Connecting the water line to the water supply

Connect the water line to a water supply valve. If a valve is not present or you are not sure, consult a qualified plumber.

Installation






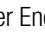
3.11 Installing the Internal Water Filter

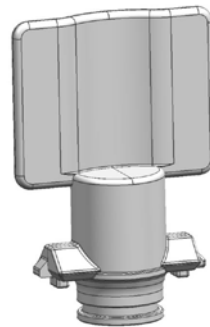
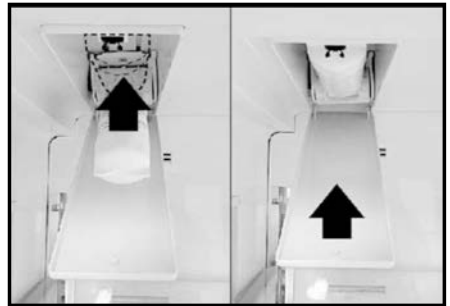
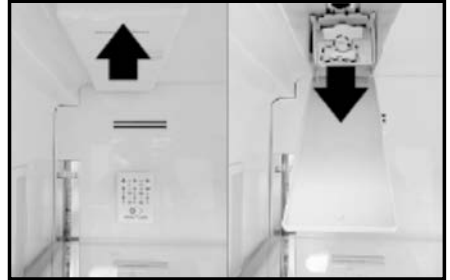


Installing the internal water filter consists of two steps:

- Physically installing the filter
- Making adjustments to the display.

1. Press and hold the Freezer Temp Set key  for 3 seconds, or until the no ice icon appears in the display.
2. Slide the filter cover forward to open the filter compartment.
3. Tilt the bypass plug down and pull straight out to remove it.
4. Insert the filter into the housing and push it up to a horizontal position.
5. Close the filter cover and push it back into place.
6. Press and hold the Freezer Temp Set key  again for 3 seconds.
You have successfully installed your filter.

The Filter End of Life warning  3" will appear in approximate 130 days, requiring you to replace the filter with the same steps as listed above. After replacing the filter, press and hold the "Alarm Off" key  for 3 seconds, or until the Filter End of Life Warning goes out in the display.



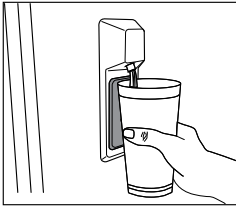
BYPASS PLUG

Installation

3.12 Before using the water dispenser

The water system connections should be made by an Authorized Service Agent, with the necessary tools.

- The water system is designed to operate only with water. Do not attempt to connect to beverages such as soft drinks or juices.
- There will be air in the water line that must be bled out of the system before the initial use. To remove the air in the line, place a container beneath the water dispenser nozzle and depress the dispenser paddle for 1-2 minutes until only water comes out.
- The first 10 glasses of water should not be consumed. It will take approximately 12 hours before the water being dispensed cools down to refrigerated temperatures.
- Wait 1 second after releasing the dispenser paddle before removing your container, as this will reduce the potential for dripping into the dispenser tray.



- Empty and clean the ice bin. Ice cubes can also stick together if they are left in the bin for too long.

3.13 Transportation of the product

1. Unplug the product before transporting it.
2. Remove water connections.
3. Secure the shelves, accessories, crisper and etc. in the refrigerator by adhesive tape before repackaging it.

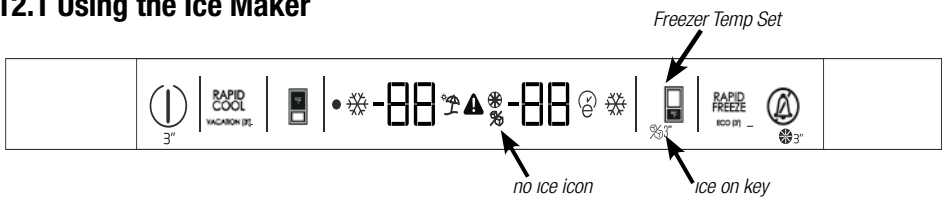


Packaging must be tied with thick tapes or strong strips and the rules of transportation printed on the package must be followed.



WARNING: Packaging materials are dangerous for the children. Keep packaging materials in a safe place away from reach of the children.

3.12.1 Using the Ice Maker



The ice maker is not turned on from the factory.

- To turn the ice maker on, press and hold the Freezer Temp Set key for 3 seconds, or until the no ice icon (❄️) disappears in the display. It will take approximately 1-2 days for the ice bin to fill with ice. If a power outage occurs while the refrigerator is running, the ice cubes may partially melt and then stick together when the re-freeze. If the power outage is prolonged, the ice cubes may turn into water, causing leakage. If such a problem occurs.

4 Preparation

Before starting to use the product, check that all preparations are made in accordance with the instructions in sections "Important instructions for safety and environment" and "Installation".

- Clean the interior of the refrigerator as recommended in the "Maintenance and cleaning (Page 25)" section. Ensure that interior is dry before operating.
- Plug the refrigerator into the grounded wall outlet. When the door is opened the interior illumination will turn on.
- Run the refrigerator without putting any food for 6 hours and do not open its door unless absolutely required.
- Do not allow the food to touch the temperature sensor in fresh food compartment.

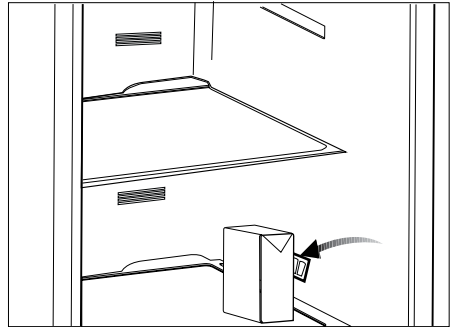
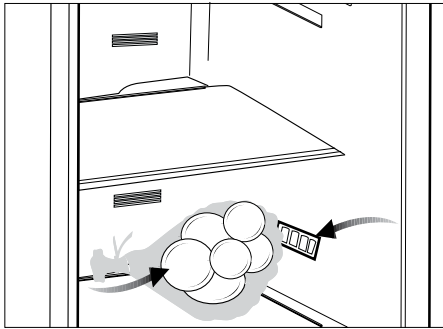


You will hear a noise when the compressor starts up. The liquids and gases sealed within the refrigeration system may also give rise to noise, even if the compressor is not running and this is quite normal.



Front edges of the refrigerator may feel warm. This is normal. These areas are designed to be warm to avoid condensation.

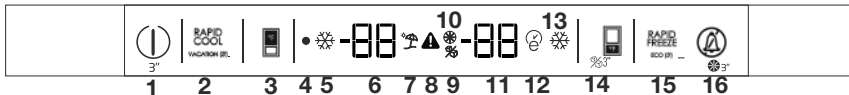
- To allow the fresh food compartment keep its ideal storage temperature, sensor must not be covered by food.



5 Display and operating the product

5.1 Indicator panel

Touch-control indicator panel allows you to set the temperature and control the other functions of the refrigerator. Just press the relevant buttons for function settings.



Note: Keys 2, 14, 15, and 16 have two functions. The second function has a “b” after the number below.

1-Power key
Press and hold this key for 3 seconds to turn the refrigerator on and off.

2-Quick Cool Key
Press this key to turn on the Quick Cool option, which drops the temperature in the Fresh Food compartment to its lowest setting (33 F°) for two hours. It will return to the previously set temperature after this time.

VACATION (B) 2b. Vacation Mode

If you hold the Quick Cool key for three seconds, you will turn on the Vacation Mode. In Vacation mode the Fresh Food compartment will stay at 50 F° while the Freezer maintains its set temperature. You will know that Vacation Mode is on by the dashes in the Fresh Food temperature display (6) and the illumination of the “beach umbrella” (7). Press and hold the Quick Cool key for 3 seconds to turn this option off.

3- Fresh Food Temperature set key
Press this key to change the temperature in the Fresh Food section from between 33 F° and 40 F°. The set temperature will be displayed in the Fresh Food temperature display (6).

4- Power “off” indicator light
A red dot will be illuminated when the refrigerator is plugged in, but NOT turned on. Once the refrigerator is turned on, the red light will go out.

5-Quick Cool Indicator
A “snowflake” icon to the left of the Fresh Food temperature display lets you know the Quick Cool option is on.

6-Fresh Food Temperature display
The set temperature in the Fresh Food compartment will be displayed here.

7-Vacation Mode indicator
The “beach umbrella” icon will be illuminated when Vacation Mode is turned on. You will also see dashes in the Fresh Food temperature display.

8- High Temp Warning
The red exclamation point will be illuminated if the temperature in Freezer is too high after the initial 72 hours of operation. (See page 19 for more details)

9-Ice Maker Off icon
The ice cubes with a slash through them will be illuminated when the ice maker is turned off.

10-Filter Change icon
The filter reset icon will illuminate when it is time to replace the water filter. (For instructions on how to do that, see page 12.)

11-Freezer Compartment temperature display
The set temperature of the Freezer compartment will be shown in this display.

12-Eco-Extra icon
The Eco-Extra icon will be illuminated when Eco-Extra is turned on. (See 15b for more information on this option.)

13-Quick Freeze Indicator
A snowflake icon to the right of the Freezer Compartment temperature display will be illuminated when the Quick Freeze option is turned on. (See 15 for information on that option.)

14-Freezer Temperature set key
Press this key to adjust the temperature in the Freezer compartment, between -8 F° and 5 F°.

14.b. Ice Maker on/off key
Press and hold the Freezer Temp Set key for 3 seconds to turn the Ice Maker on and off.

15-Quick Freeze key
Press and hold the Quick Freeze key to turn on the Quick Freeze option, which will drop the temperature in the Freezer to its lowest setting (-8 F°) for 24 hours. After this time it will return to the previously set temperature.

15b. Eco-Extra key
Press and hold the Quick Freeze key for 3 seconds to turn on the Eco-Extra option. In this mode the refrigerator will operate in its most efficient way. It will only stay in this mode while the doors remain closed.

16. Alarm Off key
If the doors remain open for more than 1 minute, or if an error is detected, an alarm will sound. If this key is pressed, the alarm will be silenced.

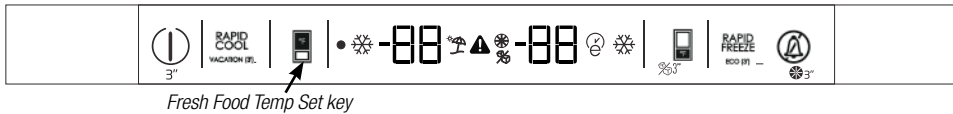
16b. Filter Change Timer Reset
If the filter change light comes on (10), press and hold the Alarm Off key for 3 seconds to reset the timer. The filter reset light will come on after 130 days of operation.



***optional:** Figures in this user manual are schematic and may not match the product exactly. If the subject parts are not included in the product you have purchased, then those parts are valid for other models.

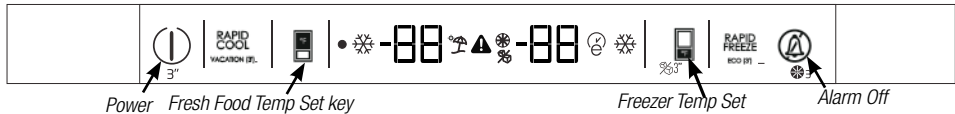
Display and operating the product

5.2 Sabbath Mode



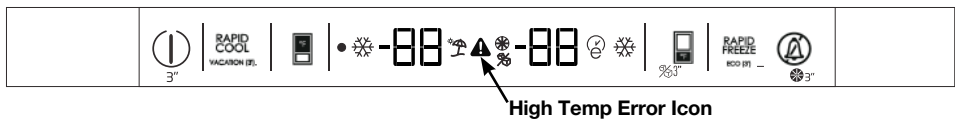
Press the Fresh Food Temp Set Function key for 3 seconds to activate or deactivate the Sabbath Mode. When Sabbath Mode is activated, the display, alarm, door opening or light buttons will not function. "SA" will appear in the display. The cooling algorithm is set according to the sabbath fashion. If the user does not deactivate the Sabbath mode, the refrigerator will automatically cancel it in 72 hours.

5.3 Showroom Mode



Showroom Mode is an option primarily used in dealer's showrooms. It allows the product to be turned on without the operation of the fans and cooling system. To activate this mode, Press and hold "Power" & "Alarm Off" until PS 0 appears. Change the 0 to an 8 by pressing the "Freezer Temperature Set" key. Then press "Fresh Food Temperature Set" key to activate. To deactivate, press and hold the "Power" & "Alarm Off" again.

5.4 High Temp Error



The High Temp Error icon is displayed when the Freezer temperature is too warm after the initial 72 hours of operation. If the Freezer temperature reaches 28°F (-2.2°C) or higher, and doesn't drop below 16°F (-9°C) within 12 hours, the High Temp Error icon will be illuminated, an alarm will sound and the set temperature and highest temperature reached in the Freezer will alternate in the display. If you press the "Alarm Of" key, the alarm will be silenced, but the icon and flashing temperature will continue until the Freezer gets below 16°F (-9°C). If the Freezer does not cool below 16°F (-9°C) in the next 3.5 hours, the audible alarm will return. The audible alarm can be silenced again with the "Alarm Off" key. If the error continues to return, the doors should be checked for proper closure and sealing. A common cause of this error is a power failure in the circuit to which the refrigerator is connected. If the icon continues to return, an authorized service agent should be called to inspect the unit.

Operating Temperatures

Freezer Compartment Setting	Fridge Compartment Setting	Explanations
5F°/-15°C	39 F° /4°C	This is the normally recommended setting.
-4F°/-20°C	37 F° / 3°C	These settings are recommended when the ambient temperature exceeds 86 F° /30°C.
Quick Freeze	39 F° / 4°C	Use when you wish to freeze your food in a short time. Your refrigerator will return to its previous mode when the process is over.
5 F° /-15°C or colder	Quick Fridge	Use this function when you place large quantities into the fridge compartment or when you need to cool your food quickly. It is recommended that you activate Quick Fridge function 4-8 hours before placing the food in the compartment.

5.5 Freezing fresh food

- Wrap the food or place them in a covered container before putting them in the refrigerator.
- Hot food and beverages must cool down to room temperature before putting them in the refrigerator.
- The food that you want to freeze must be fresh and in good quality.
- Pack the food in an airtight manner to prevent them from drying even if they are going to be stored for a short time.
- Materials to be used for packaging must be tear-proof and resistant to cold, humidity, oils and acids and they must also be airtight. All packaging must be completely sealed.
- Frozen food must be used immediately after they are thawed and they should never be re-frozen.
- Do not freeze excessively large quantities of food at one time. The quality of the food is best preserved when it is frozen right through to the core as quickly as possible.
- Placing warm food into the freezer compartment causes the cooling system to operate continuously until the food is frozen solid.

5.6 Recommendations for preserving frozen food

To ensure the quality achieved by the frozen food manufacturer and food retailer is maintained, follow the steps listed below:



1. Put packets in the freezer as quickly as possible after purchase.
2. Make sure that contents of the package are labelled and dated.
3. Check whether the "Use By" and "Best Before" dates on the packaging are exceeded or not.

5.7 Placing the food

Freezer compartment shelves	Various frozen food such as meat, fish, ice cream, vegetables and etc.
Fridge compartment shelves	Food in pans, covered plates and closed containers
Fridge compartment door shelves	Small and packaged food or beverage (such as milk, fruit juice, beer and etc.)
Crisper	Vegetables and fruits
Deli drawer	Delicatessen products (cheese, butter, salami and etc.)

5.8 Deep-freeze information

You can keep the freshness of food for many months (at 5 F° / -15°C or lower temperatures in the deep freeze).

	Divided the food into portions according to your family's daily or meal based consumption needs.
	Pack the food in an airtight manner to prevent them from drying even if they are going to be stored for a short time.

- Materials necessary for packaging:
- Cold resistant adhesive tape
- Self adhesive label
- Rubber rings
- Pen

Operating the product

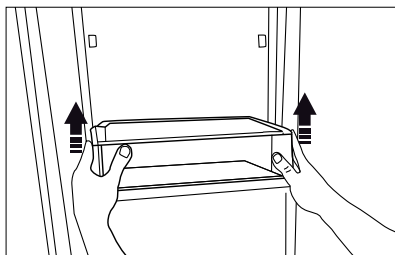
5.9 Removing door shelves

You can remove the door shelves to clean them.

First, empty the food inside them.

Push the desired shelf up to remove it.

Do not remove the door shelf when there is food in it.



5.10 Moving the FlexiLift Door Shelf

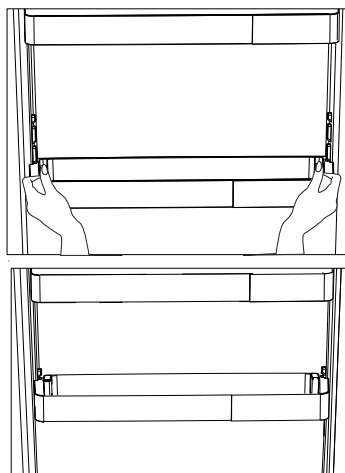
*optional

Moving the FlexiLift door shelf can be fixed in 3 different positions.

In order to move the shelf, push the buttons on the side evenly. Shelf will be movable.

Move the shelf up or down.

When the shelf is in the position that you want, release the buttons. Rack will be fixed again in the position where you have released the buttons.



5.11 Glass shelves

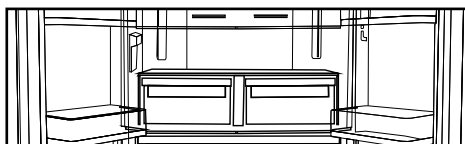
You can remove the glass shelves to clean them.

Be careful when removing the shelves since they are heavy.

5.12 Crisper bins

(in some models)

Crisper bins allow you to prepare the food for freezing. You can also use these compartments to store your food at a temperature a few degrees below the fridge compartment.



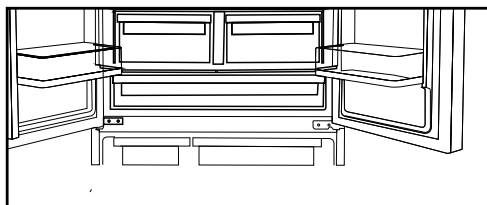
You can increase the inner volume of your refrigerator by removing any of the chiller compartments:

1. Pull the compartment towards yourself until it stops.
2. Lift the compartment about 7/16" (1cm) up and pull towards yourself to remove it from its seating.

5.13 Deli Drawer

The Deli Drawer is designed with cool air circulation intensified around it. This allows for items stored in the drawer to be generally fresh food compartment than average Fresh Food temperatures.

If required, remove door shelves prior to Deli Drawer removal



Operating the product

5.14 Humidity controlled crisper

Humidity levels of the vegetables and fruit are kept under control with the feature of humidity-controlled crisper and the food is ensured to stay fresh longer.

We recommend you to place the leafy vegetables such as lettuce, spinach and the vegetables which are sensitive to humidity loss, in a horizontal manner as much as possible inside the crisper, not on their roots in a vertical position.

While the vegetables are being placed, individual weights of the vegetables should be taken into consideration. Heavy and hard vegetables should be put at the bottom of the crisper and the lightweight and soft vegetables should be placed on top.

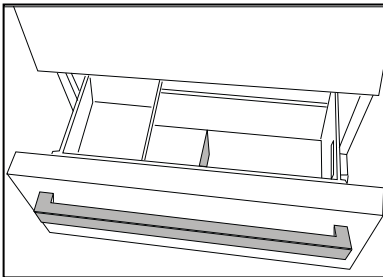
Never leave vegetables inside the crisper in their bags. This will cause them to decompose prematurely. If you wish to keep vegetables separate, use perforated paper bags or similar materials to do so. Certain fruits such as pears, apricots, peaches or apples generate high levels of ethylene gas. Do not place them with other fruits and vegetables which do not, as this will cause them to decompose faster.

5.15 Ice container

The ice container is used to collect ice produced by the ice maker. Do not put water in it to make ice as it may break. The ice container is not used for storing foods.

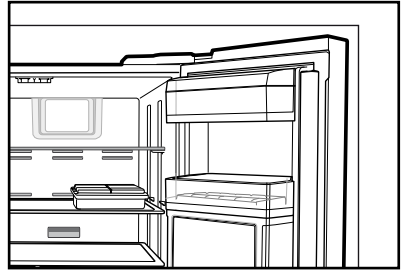


The ice machine may drop ice when the ice container is opened.



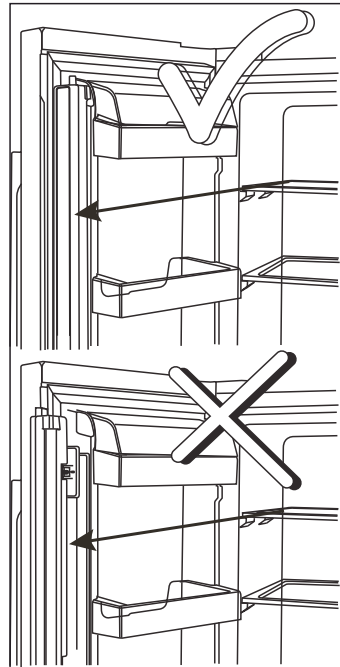
5.16 Butter & Cheese section

Store food such as butter, cheese and margarine in this section.



5.17 Door flappers

Movable door flapper is intended to prevent the cold air inside the refrigerator from escaping outside. Sealing is provided when the gaskets on the door presses on the surface of the door flapper while the fridge compartment doors are closed.



5.18 ActiveFresh Blue Light

Crispers of the refrigerator are illuminated with blue light. Food stored in the crispers continue their photosynthesis by means of the wavelength effect of blue light and thus, preserve their freshness and preserves their vitamin content.

5.19 IonGuard (in some models)

Air is ionized by means of the ionizer system in the fridge compartment air duct. Thanks to this system, air-borne bacteria and odorizing molecules are removed from the air.

5.20 Odor filter

Odor filter in the air duct of the fridge compartment prevents build-up of unpleasant odors in the refrigerator.

6. Maintenance and cleaning

The life of the product is extended and common problems are reduced, if it is cleaned regularly.



WARNING: Unplug the product before cleaning it.

- Never use gasoline, benzene or similar substances for cleaning purposes.
- Never use any sharp and abrasive tools, soap, household cleaners, detergent and wax polish for cleaning.
- Dissolve one teaspoon of baking soda in 1 pint of water. Soak a cloth with the solution and wring it thoroughly. Wipe the interior of the refrigerator with this cloth and dry thoroughly.
- Make sure that no water enters the lamp housing and other electrical items.
- If you will not use the refrigerator for a long period of time, unplug it, remove all food inside, clean it and leave the door ajar.
- Check regularly that the door gaskets are clean. If not, clean them.
- To remove door and body shelves, remove all of its contents.
- Remove the door shelves by pulling them up. After cleaning, slide them from top to bottom to install.
- Never use cleaning agents or water that contain chlorine to clean the outer surfaces and chromium coated parts of the product. Chlorine causes corrosion on such metal surfaces

6.1 Avoiding bad odors

Materials that may cause odor are not used in the production of our refrigerators. However, due to inappropriate food preserving conditions and not cleaning the inner surface of the refrigerator as required can bring forth the problem of odor. Pay attention to following to avoid this problem:

- Keeping the refrigerator clean is important. Food residuals, stains, etc. can cause odor. Therefore, clean the refrigerator with baking soda dissolved in water every 15 days. Never use detergents or soap.
- Keep the food in closed containers. Microorganisms spreading out from uncovered containers can cause unpleasant odors.
- Never keep the food that is past its expiration date or has spoiled in the refrigerator.

6.2 Protecting the plastic surfaces

Do not put liquid oils or oil-cooked meals in your refrigerator in unsealed containers as they damage the plastic surfaces of the refrigerator. If oil is spilled or smeared onto the plastic surfaces, clean and rinse the relevant part of the surface at once with warm water.

7. Troubleshooting

Check this list before contacting a servicer. Doing so will save you time and money. This list includes frequent complaints that are not related to faulty workmanship or materials. Certain features mentioned herein may not apply to your product.

The refrigerator is not working.

- The power plug is not fully seated. >>> Plug it in outlet completely into the socket.
- The fuse connected to the socket powering the product or the main fuse is blown. >>> Be sure the unit is turned on. A single red light in the display means the product is plugged in but not turned on. Press and hold the Power button for three seconds to turn the unit on.
- **Condensation on the side wall of the fresh food compartment (MULTI ZONE, COOL, CONTROL and FLEXI ZONE).**
- The door is opened too frequently >>> Take care not to open the product's door too frequently.
- The environment is too humid. >>> Do not install the product in humid environments.
- Foods containing liquids are kept in unsealed holders. >>> Keep the foods containing liquids in sealed holders.
- The product's door is left open. >>> Do not keep the product's door open for long periods.
- The thermostat is set to too low temperature. >>> Set the thermostat to appropriate temperature.

Compressor is not working.

- In case of sudden power failure or pulling the power plug off and putting back on, the gas pressure in the product's cooling system is not balanced, which triggers the compressor thermic safeguard. The product will restart after approximately 6 minutes. If the product does not restart after this period, contact a servicer.
- Defrosting is active. >>> This is normal for a fully-automatic defrosting product. The defrosting is carried out periodically.
- The product is not plugged in. >>> Make sure the power cord is plugged in.
- The temperature setting is incorrect. >>> Select the appropriate temperature setting.
- The power is out. >>> The product will continue to operate normally once the power is restored.

The refrigerator's operating noise is increasing while in use.

- The product's operating performance may vary depending on the ambient temperature variations. This is normal and not a malfunction.

The refrigerator runs too often or for too long.

- The new product may be larger than the previous one. Larger products will run for longer periods.
- The room temperature may be high. >>> The product will normally run for long periods in higher room temperature.
- The product may have been recently plugged in or a new food item is placed inside. >>> The product will take longer to reach the set temperature when recently plugged in or a new food item is placed inside. This is normal.
- Large quantities of hot food may have been recently placed into the product. >>> Do not place hot food into the product.
- The doors were opened frequently or kept open for long periods. >>> The warm air moving inside will cause the product to run longer. Do not open the doors too frequently.
- The freezer or fresh food compartment door may be ajar. >>> Check that the doors are fully closed.
- The product may be set to temperature too low. >>> Set the temperature to a higher degree and wait for the product to reach the adjusted temperature.
- The fresh food compartment or freezer door washer may be dirty, worn out, broken or not properly settled. >>> Clean or replace the washer. Damaged / torn door washer will cause the product to run for longer periods to preserve the current temperature.

Troubleshooting

The freezer temperature is very low, but the fresh food compartment temperature is adequate.

- The freezer compartment temperature is set to a very low degree. >>> Set the freezer compartment temperature to a higher degree and check again.

The fresh food compartment temperature is very low, but the freezer temperature is adequate.

- The fresh food compartment temperature is set to a very low degree. >>> Set the freezer compartment temperature to a higher degree and check again.

The food items kept in fresh food compartment drawers are frozen.

- The fresh food compartment temperature is set to a very low degree. >>> Set the freezer compartment temperature to a higher degree and check again.

The temperature in the fresh food compartment or the freezer is too high.

- The fresh food compartment temperature is set to a very high degree. >>> Temperature setting of the fresh food compartment has an effect on the temperature in the freezer compartment. Wait until the temperature of relevant parts reach the sufficient level by changing the temperature of fresh food compartment or freezer compartments.
- The doors were opened frequently or kept open for long periods. >>> Do not open the doors too frequently.
- The door may be ajar. >>> Fully close the door.
- The product may have been recently plugged in or a new food item is placed inside. >>> This is normal. The product will take longer to reach the set temperature when recently plugged in or a new food item is placed inside.
- Large quantities of hot food may have been recently placed into the product. >>> Do not place hot food into the product.

Shaking or noise.

- The ground is not level or firm. >>> If the product is shaking when moved slowly, adjust the feet to balance the product. Also make sure the ground is sufficiently firm to bear the product.
- Any items placed on the product may cause noise. >>> Remove any items placed on the product.

The product is making noise of liquid flowing, spraying etc.

- The product's operating principles involve liquid and gas flows. >>> This is normal and not a malfunction.

There is sound of wind blowing coming from the product.

- The product uses a fan for the cooling process. This is normal and not a malfunction.

There is condensation on the product's internal walls.

- Hot or humid weather will increase icing and condensation. This is normal and not a malfunction.
- The doors were opened frequently or kept open for long periods. >>> Do not open the doors too frequently; if open, close the door.
- The door may be ajar. >>> Fully close the door.

There is condensation on the product's exterior or between the doors.

- The ambient weather may be humid, this is quite normal in humid weather. >>> The condensation will dissipate when the humidity is reduced.

The interior smells bad.

- The product is not cleaned regularly. >>> Clean the interior regularly using sponge, warm water and carbonated water.
- Certain containers and packaging materials may cause odor. >>> Use containers and packaging materials free of odor.

Troubleshooting

- The foods were placed in unsealed containers. >>> Keep the foods in sealed containers. Micro-organisms may spread out of unsealed food items and cause bad odor. Remove any expired or spoiled foods from the product.

The door is not closing.

- Food packages may be blocking the door. >>> Relocate any items blocking the doors.
- The product is not standing in full upright position on the ground. >>> Adjust the stands to balance the product.
- The ground is not level or firm. >>> Make sure the ground is level and sufficiently firm to bear the product.

The vegetable bin is jammed.

- The food items may be obstructing with the upper section of the drawer. >>> Reorganize the food items in the drawer.

If The Surface Of The Product Is Hot.

- High temperatures may be observed between the two doors, on the side panels and at the rear grill while the product is operating. This is normal and does not require service maintenance! Be careful when touching these areas.



WARNING:

If the problem persists after following the instructions in this section, contact your vendor or an Authorized Service. Do not try to repair the product.



WARNING:

- This product can expose you to chemicals including Nickel (Metallic) which is known to the State of California to cause cancer.
- For more information go to www.P65Warnings.ca.gov
- Note : Nickel is a component in all stainless steel and some other metal components.

¡Le felicitamos la compra de su nuevo frigorífico . Este frigorífico se ha fabricado en instalaciones modernas con el máximo cuidado y meticulosos controles de calidad. ¡Tenemos plena confianza en la calidad de nuestro producto y lo apoyamos con una garantía de dos años para las piezas y la mano de obra, y de cinco años para el sistema sellado. Antes de utilizar el producto lea este manual por completo para garantizar que haya entendido todas las características y beneficios y como operar el producto de manera adecuada. El presente manual se debe guardar en un lugar accesible y se debe entregar a los futuros dueños.

Esta guía le ayudará a utilizar el aparato de forma rápida y segura.

Por favor, lea la guía del usuario antes de instalar y operar el aparato.

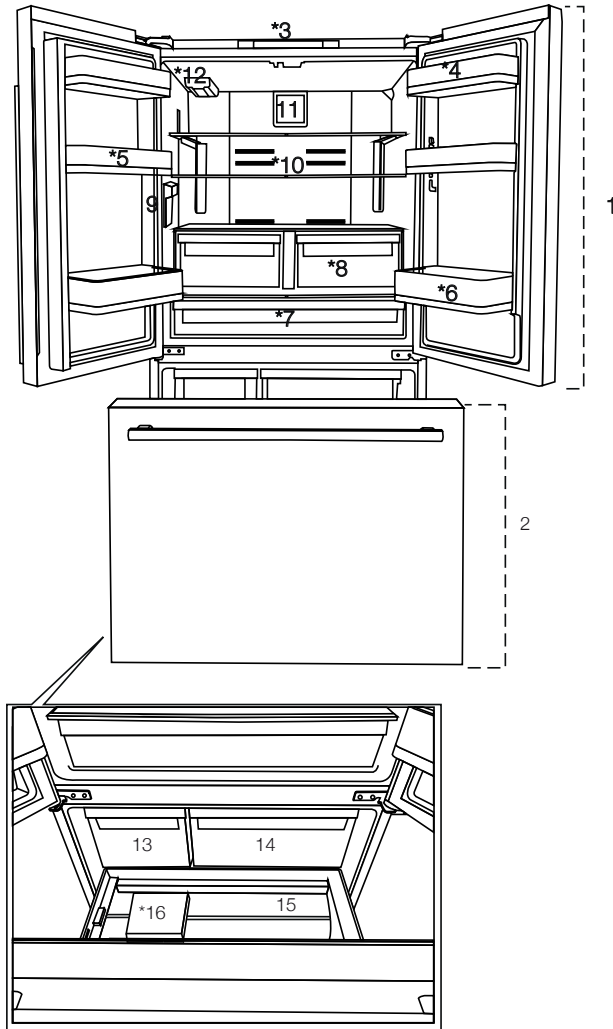
- Siempre respete las instrucciones de seguridad aplicables.
- Por favor, lea todos los demás documentos suministrados con el aparato.
- Tenga en cuenta que esta guía del usuario se puede aplicar a varios modelos de aparato. Por favor observe los símbolos utilizados en el presente manual y su significado.

	Información importante y consejos útiles.
	Riesgos para la vida y la propiedad.
	Riesgo de descarga eléctrica.
	El embalaje del aparato está hecho con materiales reciclables, de acuerdo con la Legislación Ambiental Nacional.

<i>Rellene y guarde para futuras consultas</i>	
<i>Modelo</i>	
<i>Número de Serie</i>	
<i>Fecha de Compra</i>	
<i>Comprador Original</i>	
<i>Concesionario</i>	
<i>Ciudad</i>	
<i>Estado</i>	
<i>Código Zip</i>	
<i>País</i>	

1	El frigorífico	3	4	Preparación	16
2	Instrucciones importantes respecto a la seguridad y el medio ambiente	5	5	Pantalla y uso del producto	17
2.1	Seguridad general	5	5.1	Panel de indicadores	17
2.1.1	Advertencia de HCA	6	5.2	Modo Sabbath	18
2.1.2	Para aparatos con dispensador de agua	6	5.3	Modo Showroom	18
2.2	Uso previsto	6	5.4	Error de Alta Temperatura	18
2.3	Seguridad infantil	6	5.5	Congelación de alimentos frescos	20
2.4	Información de paquete	6	5.6	Recomendaciones para conservar los alimentos congelados	20
3	Instalación	7	5.7	Colocación de los alimentos	20
3.1	Antes de Instalación	11	5.8	Información sobre la congelación	20
3.2	Lugar de instalación adecuado	11	5.9	Cómo retirar los estantes de la puerta	21
3.3	Instalaciones Insertadas	12	5.10	Mover el Estante FlexiLift de Puerta	21
3.4	Conexión eléctrica	12	5.11	Estantes de vidrio	21
3.5	Ajuste de las patas	12	5.12	Cajones de verdura	21
3.6	Luz de iluminación	13	5.13	Cajón de Charcutería	21
3.7	Aviso de Puerta/Cajón Abierto	13	5.14	Cajón refrigerante con control de humedad	22
3.8	Conexión de agua	13	5.15	Contenedor de hielo	22
3.9	Conexión de la manguera de agua al frigorífico	13	5.16	Sección de mantequilla y queso	22
3.10	Conexión de la línea de agua al suministro de agua	13	5.17	Aletas de puerta	22
3.11	Instalar Filtro de Agua Interno	14	5.18	ActiveFresh Luz Azul	23
3.12	Antes de utilizar el dispensador de agua	15	5.19	IonGuard	23
3.12.1	Uso de la máquina de hielo	15	6.	Limpieza y mantenimiento	24
3.13	Transporte del aparato	15	6.1	Cómo evitar los malos olores	24
			6.2	Proteger las superficies de plástico	24
			7.	Solución de problemas	25

1 El frigorífico



1- Compartimento frigorífico

2- Congelador inferior

3- Pantalla/panel indicador

4- Sección de mantequilla y queso

5- Estantes de Puerta FlexiLift

6- Botellero

7- Cajón de Charcutería

8- Cajón de verduras

9- Dispensador de agua

10- Estante de vidrio ajustable

11- Tapa del ventilador

12- Filtro de agua

13- Contenedor de Hielo

14- Cajón de Almacenamiento de Alimentos
Congelados

15- Cajón del congelador

16- Separador



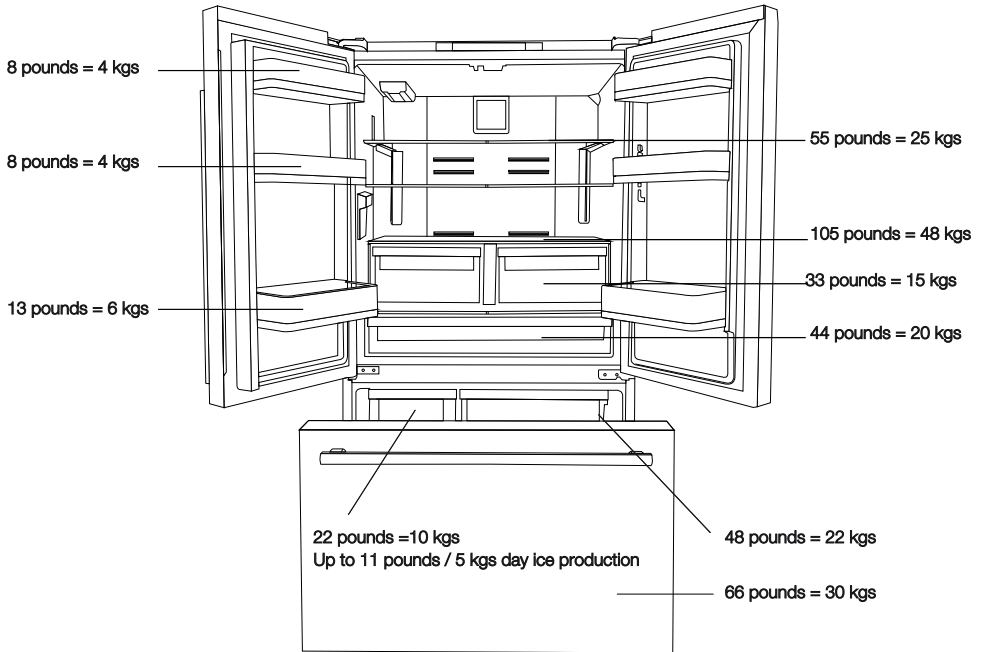
Las imágenes en este manual son esquemáticas y pueden no coincidir exactamente con el aparato. Si usted ha comprado las piezas que no se incluyen en el aparato, entonces esas piezas son solo válidas para otros modelos.

Limitaciones de peso del estante del frigorífico

Los estantes cantaleta del compartimiento refrigerador, los que sólo tienen soportes traseros, están probados para un máximo de 25 kg (55 libras) por cada pieza.

Los crispers tienen una capacidad de hasta 15 kg (33 libras) por cada uno. Cajón de Charcutería puede mantener 20 kg (44 libras).

El contenedor de hielo tiene una capacidad de hasta 10 kg (22 libras), es para el uso sin hielo. El depósito de hielo tiene capacidad para 24 kg (53 libras) y el cajón tiene capacidad para 30 kg (66 libras).



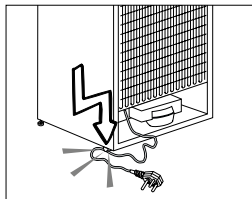
2 Instrucciones importantes respecto a la seguridad y el medio ambiente

Este capítulo contiene información de seguridad que le ayudará a evitar el riesgo de lesiones personales o daños a la propiedad.

El incumplimiento de estas instrucciones anulará cualquier garantía del aparato.

	ADVERTENCIA: Mantenga libres de obstrucciones las aberturas de ventilación, tanto las que están en el cierre de la unidad como las que están en la estructura incorporada.
	ADVERTENCIA: No utilice ningún dispositivo mecánico, ni ningún otro aparato, para acelerar el proceso de descongelación, salvo los recomendados por el fabricante.
	ADVERTENCIA: No dañe el circuito refrigerante.
	ADVERTENCIA: No utilice aparatos eléctricos dentro de los compartimentos para alimentos del aparato, a menos que sean del tipo recomendado por el fabricante.

aplastarse ni entrar en contacto con ninguna fuente de calor.



- No lave nunca el aparato pulverizándolo o echándole agua. ¡Existe el riesgo de descarga eléctrica!
- No tocar nunca el enchufe con las manos húmedas. Nunca desenchufe tirando del cable, siempre tire agarrando el enchufe.
- No enchufe el refrigerífico en una toma de pared suelta.
- Nunca conecte el refrigerífico a sistemas de ahorro de electricidad. Estos sistemas son perjudiciales para el aparato.
- Desenchufe el aparato durante el mantenimiento, la limpieza y las reparaciones.
- Encargue siempre la instalación y reparación al **servicio técnico autorizado**. El fabricante no se hace responsable de los daños que puedan surgir de los procedimientos realizados por personas no autorizadas.
- No coloque bebidas líquidas embotelladas y enlatadas en el compartimiento del congelador. Pueden explotar.
- No utilice Nunca vapor ni materiales de limpieza asistidos por vapor para limpiar o descongelar el refrigerífico. El vapor provocará un cortocircuito o una descarga eléctrica, ya que entraría en contacto con las piezas eléctricas del refrigerífico.
- Nunca utilice las piezas del refrigerífico, como la puerta y el cajón, como medio de apoyo o escalón. Esto hará que el aparato se vuelque o que se dañen partes del mismo.
- No dañe el circuito de refrigeración con herramientas de perforación o de corte. El refrigerante que puede salir disparado cuando se perforan los canales de gas del evaporador, las extensiones de las tuberías o los revestimientos de la superficie puede causar irritaciones en la piel y lesiones en los ojos.
- No cubra ni bloquee los orificios de ventilación del refrigerífico con ningún material.
- ¡No utilice aerosoles gaseosos cerca del aparato ya que existe el riesgo de incendio o explosión!
- Nunca deben guardarse en el aparato artículos inflamables o productos que contengan gases inflamables (por ejemplo, sprays), así como materiales explosivos.
- No coloque recipientes llenos de líquido encima del aparato. Derramar agua sobre un componente

2.1 Seguridad general

- El producto puede ser utilizado por niños a partir de 8 años y por personas cuyas capacidades físicas, sensoriales o mentales no se hayan desarrollado completamente o que carezcan de experiencia y conocimientos, siempre que estén supervisados o formados. Los niños no deben jugar con el aparato. La limpieza y mantenimiento no deben ser realizados por niños, a menos que estén supervisados.
- Desenchufe el aparato si se produce una avería mientras está en uso.
- ¡Si el aparato tiene un fallo, no debe ser operado a menos que sea reparado por el Agente de Servicio Autorizado! ¡Existe el riesgo de descarga eléctrica!
- Conecte el aparato a una toma de corriente con conexión a tierra protegida por un fusible que cumpla con los valores de la placa de características. Haga que la instalación de la toma de tierra sea hecha por un electricista calificado. Nuestra empresa no se responsabiliza de los daños que se produzcan si el aparato se utiliza sin conexión a tierra de acuerdo con la normativa local.
- No coloque el cable de alimentación debajo del producto. No coloque objetos pesados sobre el cable de corriente. El cable de corriente no debe doblarse,

Instrucciones importantes respecto a la seguridad y el medio ambiente

eléctrico puede causar descargas eléctricas o riesgo de incendio.

- No almacene en el frigorífico productos (vacunas, medicamentos sensibles al calor, material científico y otros) que requieran un control preciso de la temperatura.
- Si no va a utilizar el aparato durante un largo periodo de tiempo, desenchúfelo y descargue los alimentos en él.
- Si el aparato está equipado con luz azul, no mire la luz azul con herramientas ópticas.
- Evitar sobrecargar el frigorífico. Puede caerse al abrir la puerta y causar lesiones o daños. Pueden producirse problemas similares en caso de poner cosas encima del aparato.
- Preste atención para que su mano o cualquier parte de su cuerpo no quede atrapada por las partes móviles del interior del aparato.

2.1.1 Advertencia de HCA

- Si el sistema de refrigeración del aparato contiene R600a:

Este gas es inflamable. Por lo tanto, preste atención a no dañar el sistema de refrigeración y las tuberías durante el uso y el transporte. En caso de daños, mantenga el aparato alejado de posibles fuentes de fuego que puedan provocar que el aparato se incendie y ventile la habitación en la que está colocado.



El tipo de gas utilizado en su producto se puede identificar mirando la etiqueta de modelo/serie situada en la pared izquierda del compartimento superior.



ADVERTENCIA: No tire nunca el aparato al fuego.

2.1.2 Para aparatos con dispensador de agua

- La presión para la entrada de agua fría será de un máximo de 90 psi (620 kPa). Si la presión del agua supera los 550 kPa (80 psi), utilice una válvula limitadora de presión en la red eléctrica. Si no sabe cómo comprobar la presión del agua, pida ayuda a un fontanero profesional.
- Si hay riesgo de efecto de golpe de ariete en su instalación, siempre use un equipo de prevención de golpes de ariete en la instalación. Consulte a fontaneros profesionales si no está seguro de que no hay un efecto de golpe de ariete en la instalación.
- No instale en la entrada de agua caliente. Tome precauciones contra el riesgo de congelación

de las mangueras. La temperatura del agua en funcionamiento normal debe estar entre 0,6°C (33F°) como mínimo y 38°C (100F°) como máximo.

- Utilice únicamente agua potable.

2.2 Uso previsto

- Este aparato está destinado únicamente al uso doméstico. Este aparato no es apto para su uso comercial, por lo que no debe utilizarse para fines distintos de los previstos.
- El aparato debe utilizarse únicamente para almacenar alimentos.
- El fabricante renuncia a cualquier responsabilidad derivada de un uso o transporte incorrecto.

2.3 Seguridad infantil

- Los niños deben ser supervisados para evitar que manipulen el aparato.



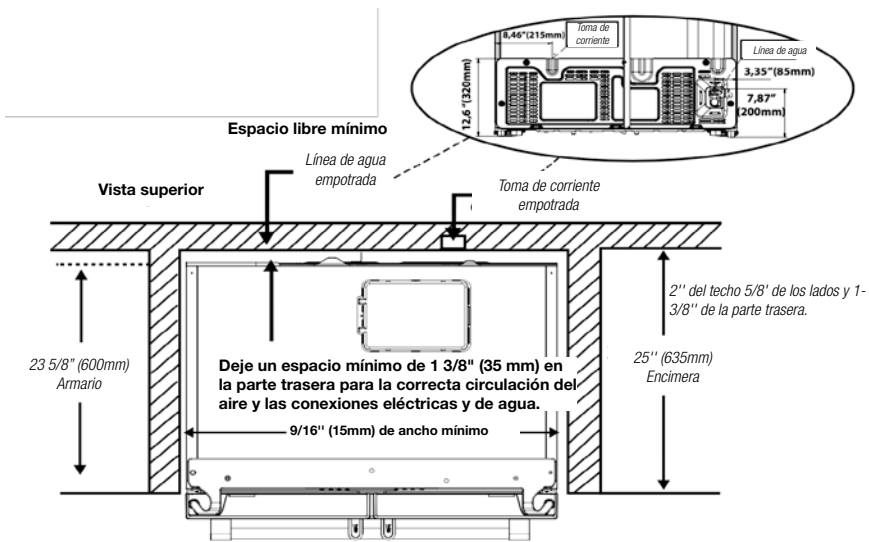
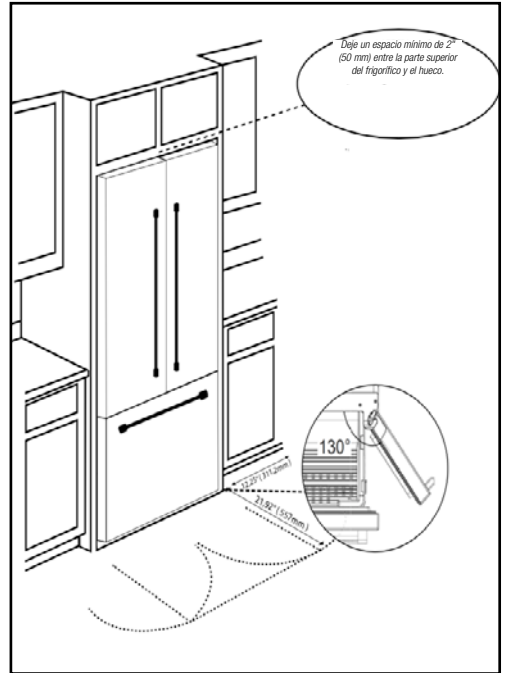
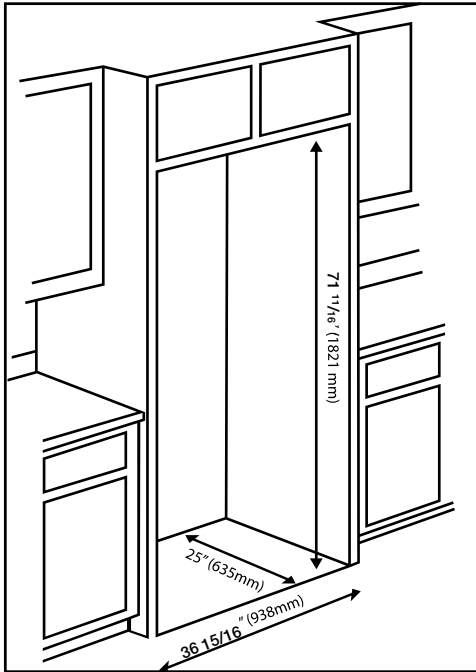
PELIGRO: Riesgo de que los niños queden atrapados. Antes de tirar el antiguo frigorífico o congelador:

- Quite las puertas.
- Deje los estantes en su sitio para que los niños No puedan trepar fácilmente al interior.

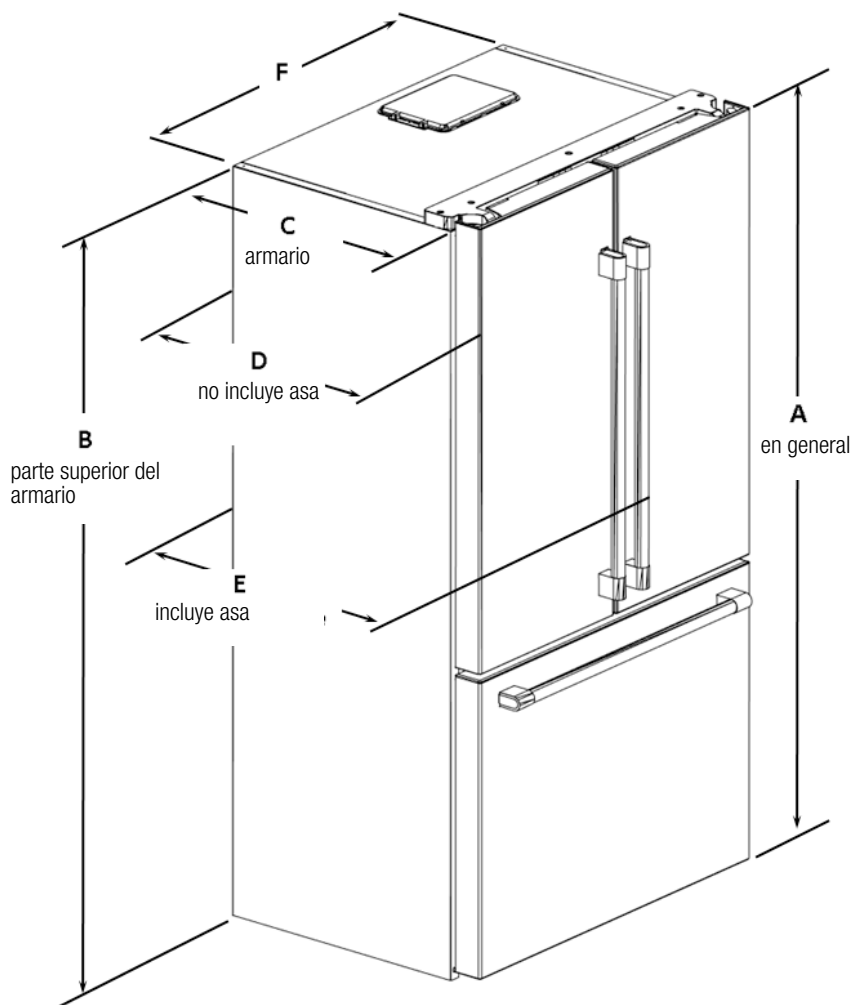
2.4 Información de paquete

- Los materiales de embalaje del aparato se fabrican con material reciclable, de acuerdo con nuestra Reglamentación Nacional para el Medio Ambiente. No desechar el embalaje junto con la basura doméstica ni similares. Llévelos a los puntos de recolección de material de embalaje designados por las autoridades locales.
- Comuníquese con personal calificado para el desecho.

3 Instalación

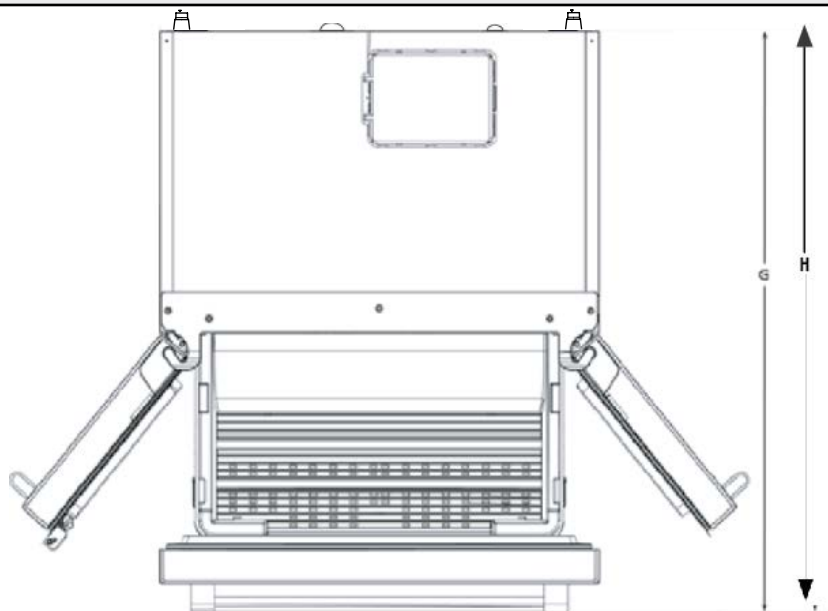


Instalación



Altura-Total "A"	Altura-Parte Superior del Armario "B"	Profundidad-Sólo Armario "C" "Q"	Profundidad-Sin Asas "D"
69 3/4" (1771 mm)	67 5/16" (1710 mm)	23 5/8" (600 mm)	26 13/16" (680,5 mm)
Profundidad Con Asas "E"	Ancho-Armario "F"	Profundidad-CajónAbierto "G"	ProfundidadTotal-CajónAbierto "H"
29" (737 mm)	35 3/4" (908 mm)	45 9/16" (1157 mm)	46 3/16" (1173,5 mm)

Instalación



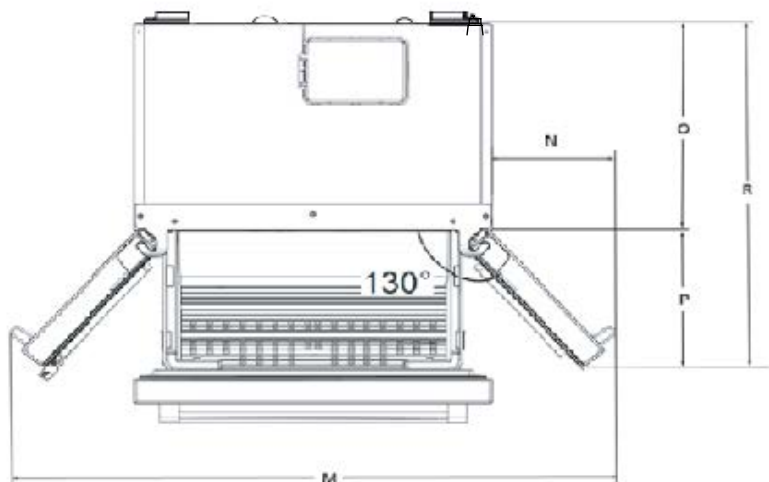
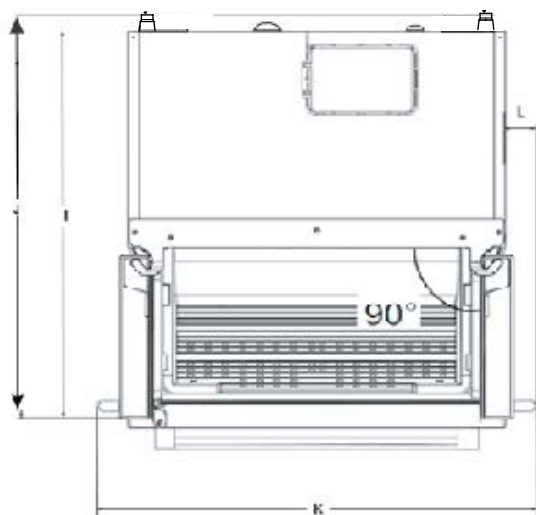
Altura-Total "A"	Altura-Parte Superior del Armario "B"	Profundidad-Sólo Armario "C" "O"	Profundidad-Sin Asas "D"
69 3/4" (1771 mm)	67 5/16"(1710 mm)	23 5/8" (600 mm)	26 13/16" (680,5 mm)
Profundidad Con Asas "E"	Ancho-Armario "F"	Profundidad-Cajón Abierto "G"	ProfundidadTotal-Cajón Abierto "H"
29" (737 mm)	35 3/4"(908 mm)	45 9/16" (1157 mm)	46 3/16" (1173,5 mm)

Espacio libre mínimo desde la parte superior: 2" pulgadas

Espacio libre mínimo desde los lados: 5/8" pulgadas

Espacio Libre Mínimo Desde la Parte Trasera: 1 3/8" pulgadas

Instalación



Profundidad-Puertas Abiertas90° "I"	Profundidad Total-Puertas Abiertas90° "J"	Ancho-Puertas Abiertas90° ConAsas "K"	Ancho-Puertas Abiertas 90°-DeArmarioAlAsa "L"
42 1/4" (1072,6 mm)	43 1/16" (1094 mm)	41 11/16" (1059,2 mm)	3" (75,6 mm)
Ancho-Puertas Abiertas130°- DeAsaAlAsa "M"	Ancho-Puertas Abiertas130°- DeArmarioAlAsa "N"	Ancho-Puertas Abiertas 130° "P"	Profundidad Puertas Abiertas 130° "R"
60 1/4" (1530,2 mm)	12 1/4" (311,2 mm)	15 3/8" (391 mm)	39" (991mm)




3.1 Antes de Instalación

- Antes de instalar, verifique que las medidas del hueco son suficientes para acoger el producto y que existen las conexiones adecuadas de electricidad y fontanería.

Válvulas de presión de línea de agua	psi	kPa	bar
Presión Máxima de Funcionamiento:	90	620	6.2
Presión máxima para el dispositivo de válvula limitadora	80	550	5.5

Requisitos eléctricos	
Tensión	120V AC
Frecuencia	60 Hz
Corriente	15 A

- Diríjase al Agente de Servicio Autorizado más cercano para la instalación del aparato. Para que el aparato esté listo para su uso, asegúrese de que la instalación eléctrica es la adecuada antes de llamar al Servicio Técnico Autorizado. En caso contrario, llame a un electricista cualificado para que realice los arreglos necesarios.
- Su producto se proporciona con un filtro de agua interno. El número de pieza del filtro es 4918450200 y puede utilizar este número de pieza cuando pida filtros de repuesto.

	La preparación de la ubicación y la instalación eléctrica en el lugar de instalación es responsabilidad del cliente.
	Fontanería: Es importante que el frigorífico se conecte únicamente a la línea de agua fría.
	El aparato no debe estar enchufado durante la instalación. De lo contrario, ¡existe el riesgo de muerte o lesiones graves!



ADVERTENCIA: La instalación y las conexiones eléctricas del aparato deben ser realizadas por el Servicio Técnico Autorizado. El fabricante no se hace responsable de los daños que puedan derivarse de los procedimientos llevados a cabo por personas no autorizadas.



ADVERTENCIA: Antes de la instalación, compruebe visualmente si el aparato tiene algún defecto. Si es así, no lo haga instalar. Los aparatos dañados causan riesgos para su seguridad.

3.2 Lugar de instalación adecuado

- Realice la instalación del producto a una distancia mínima de 30 cm (12") de fuentes de calor tales como encimeras, hornos, calefactores de espacios, radiadores y estufas, y a una distancia mínima de 5 cm (2") de hornos eléctricos. El aparato no debe ser sometido a la luz directa del sol ni mantenerse en lugares húmedos después de la instalación.
- No coloque el aparato sobre los materiales como alfombras o moquetas.
- Coloque el aparato sobre una superficie de suelo uniforme para evitar que se tambalee.
- No instale el aparato en ambientes con temperaturas inferiores a 10°C /50°F.



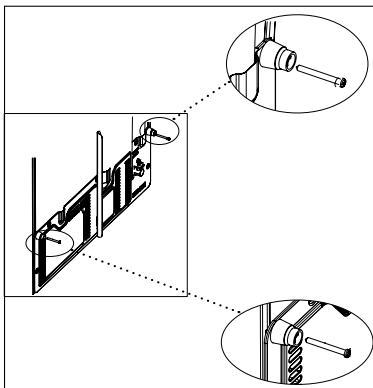
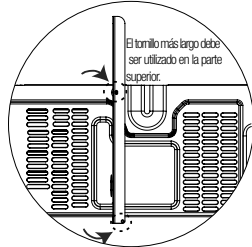
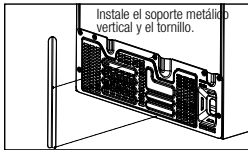
Si se van a instalar dos frigoríficos uno al lado del otro, debe haber al menos 1 1/2" (4 cm) de distancia entre ellos.

- Asegúrese de que hay espacio suficiente alrededor del aparato para garantizar la libre circulación del aire.
- Con el fin de lograr un buen funcionamiento, debe haber un espacio de al menos 35 mm (1 3/8") entre el frigorífico y la pared trasera. Para garantizar esto, coloque los amortiguadores circulares grises que se instalarán en la cubierta metálica trasera del refrigerador. Éstos vienen en el interior del cajón de los alimentos frescos.

3.3 Instalaciones Insertadas

- En caso de que el producto se instale dentro de un mueble o en un nicho cercano, verifique que exista un flujo de aire adecuado alrededor del producto para su correcto funcionamiento. Este frigorífico necesita un mínimo de 2" desde la parte superior de la unidad hasta el techo o recinto, 5/8" a cada lado y 1 3/8" en la parte posterior.
- Para un flujo de aire adecuado al realizar la instalación en un hueco o nicho, asegúrese la instalación a la unidad de las piezas que se muestran a continuación.

parte de la circulación



3.4 Conexión eléctrica

- 120VAC, 60Hz, Dedicado 15Amp Circuito.
- Los enchufes GFCI ofrecen una protección extra, pero cualquier fallo del GFCI puede provocar el deterioro de los alimentos, lo que no está cubierto por la garantía del fabricante.
- La conexión eléctrica debe cumplir con la normativa nacional.
- El enchufe del cable de corriente debe ser de fácil acceso después de la instalación.
- No haga conexiones a través de cables de extensión o enchufes múltiples.



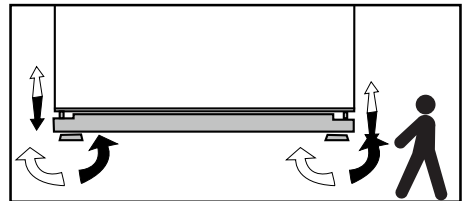
ADVERTENCIA: El cable de corriente dañado debe ser reemplazado por los Agentes de Servicio Autorizados.



ADVERTENCIA: ¡Si el aparato tiene un fallo, no debe ser operado a menos que sea reparado por el Agente de Servicio Autorizado! ¡Existe el riesgo de descarga eléctrica!

3.5 Ajuste de las patas

Tras desplazar el frigorífico a su ubicación, es recomendable bajar las patas para asegurar el producto en el lugar. También puede ajustar los pies en caso de que el producto no esté equilibrado. Tuerza los pies en la dirección deseada según la ilustración que aparece a continuación. Ajustar los pies también sirve para alinear las puertas.



ADVERTENCIA: Primero desenchufe el aparato. El aparato no debe estar enchufado durante el ajuste de las patas. ¡Existe el riesgo de descarga eléctrica!

Instalación

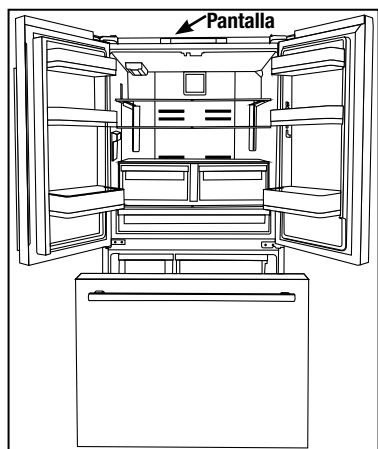
3.6 Luz de iluminación

No intente repararlo usted mismo, sino que llame al servicio técnico autorizado si las lámparas de iluminación LED no se encienden.

La lámpara(s) que se utiliza en este aparato no es adecuada para la iluminación de una estancia doméstica. El propósito de esta lámpara es ayudar al usuario a colocar los alimentos en el frigorífico / congelador en una manera segura y cómoda.

3.7 Aviso de Puerta/Cajón Abierto

Se dará una señal de alarma acústica cuando la puerta del aparato se deje abierta durante 1 minuto. Esta advertencia se silenciará cuando la puerta esté cerrada o cualquiera de los botones de la pantalla se presionen.



3.8 Conexión de agua

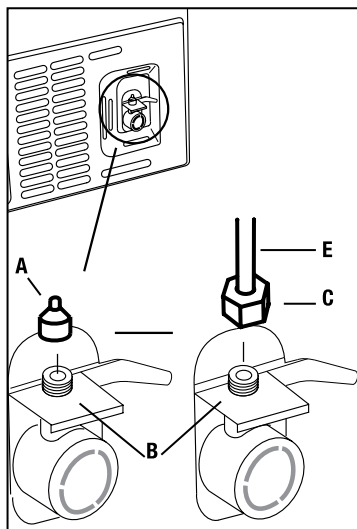
Primero debe conectar la manguera de agua al frigorífico.



ADVERTENCIA: La nevera y la bomba, si la hay, deben estar desenchufadas durante la conexión.

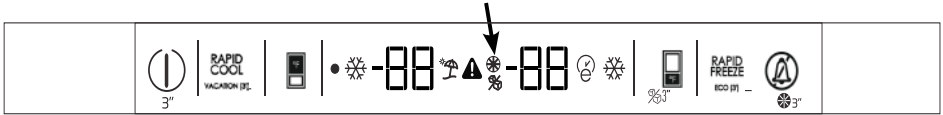
3.9 Conexión de la manguera de agua al frigorífico

1. Retire la tapa del canal de la válvula (A) de la válvula de entrada de agua.
2. Conecte la línea de agua (C) a la válvula de entrada (B) y apriétela a mano para fijarla. No es preciso el uso de alicates, pero si hay una fuga, se puede apretar ligeramente con un par de alicates.

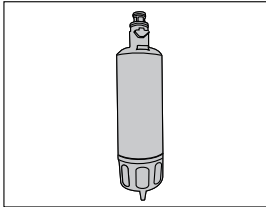


3.10 Conexión de la línea de agua al suministro de agua

Conecte la línea de agua a una válvula de suministro de agua. Si no hay una válvula o no está seguro, consulte a un fontanero cualificado.



3.11 Instalar Filtro de Agua Interno



Instalar filtro de agua interno consiste de dos pasos:

- Instalar físicamente el filtro
- Realizar ajustes de pantalla.

1. Pulse y mantenga pulsada la tecla Freezer Temp Set $\text{SET} \begin{matrix} \text{°C} \\ \text{°F} \end{matrix}$ durante 3 segundos, o hasta que aparezca el icono de no hielo en la pantalla.

2. Para abrir el compartimento del filtro, deslice la tapa del filtro hacia delante.

3. Incline el tapón de derivación hacia abajo y tire hacia afuera para retirarlo.

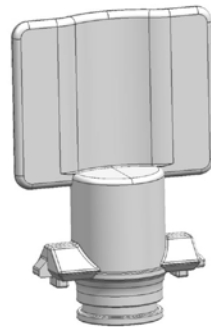
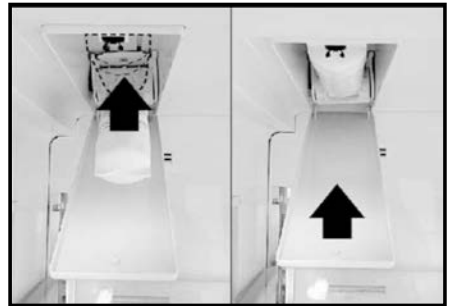
4. Inserte el filtro en la carcasa y empújelo a una posición horizontal.

5. Cierre la tapa del filtro y empújela hasta su lugar.

6. Mantenga pulsada la tecla Freezer Temp Set $\text{SET} \begin{matrix} \text{°C} \\ \text{°F} \end{matrix}$ durante 3 segundos.

Ha instalado correctamente su filtro.

La advertencia de Fin de Vida Útil del Filtro $\begin{matrix} \text{3} \\ \text{3} \end{matrix}$ aparecerá en aproximadamente 130 días, exigiendo que se reemplace el filtro con los mismos pasos indicados anteriormente. Tras sustituir el filtro, mantenga pulsada la tecla "Alarm Off" $\text{Alarm} \begin{matrix} \text{Off} \\ \text{Off} \end{matrix}$ durante 3 segundos, o hasta que desaparezca el aviso de fin de vida útil del filtro en la pantalla.



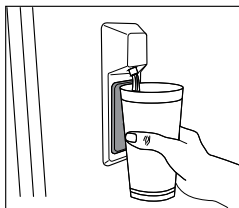
TOMA DE DERIVACIÓN

Instalación

3.12 Antes de utilizar el dispensador de agua

Es necesario que las conexiones del sistema de agua se realicen por un Agente de Servicio Autorizado, con las herramientas necesarias.

- El sistema de agua está diseñado para funcionar sólo con agua. No intente conectar bebidas como refrescos o zumos.
- En la línea de agua habrá aire que debe ser purgado del sistema antes del uso inicial. Para purgar el aire de la línea, coloque un recipiente debajo de la boquilla del dispensador de agua y pulse la paleta del dispensador durante 1 ó 2 minutos hasta que sólo salga agua.
- No es conveniente consumir los primeros 10 vasos de agua, ya que pasarán aproximadamente 12 horas antes de que el agua dispensada se enfríe hasta alcanzar la temperatura de refrigeración.
- Después de soltar la paleta del dispensador, espere 1 segundo antes de sacar el recipiente, ya que esto reducirá la posibilidad de que gotee en la bandeja del dispensador.



- Vacíe y limpie el depósito de hielo. Los cubitos de hielo también pueden pegarse si se dejan en el depósito durante demasiado tiempo.

3.13 Transporte del aparato

1. Desenchufe el aparato antes de transportarlo.
2. Retire las conexiones de agua.
3. Asegure los estantes, los accesorios, el cajón de verduras, etc. en el frigorífico con cinta adhesiva antes de volver a embalarlo.



Los embalajes deben estar atados con cintas gruesas o cuerdas fuertes y deben respetarse las normas de transporte impresas en el embalaje.



ADVERTENCIA: Los materiales de embalaje son peligrosos para los niños. Mantenga los materiales de embalaje en un lugar seguro y fuera del alcance de los niños.

3.12.1 Uso de la máquina de hielo

Freezer Temp Set (Juego de Temp de Congelador)



icono de no hielo

Tecla de no hielo

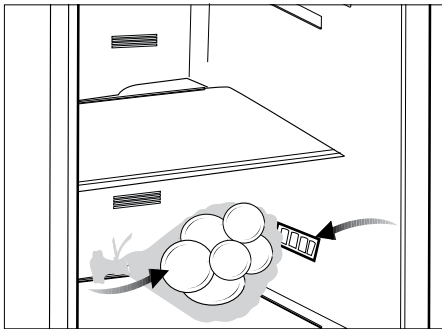
La máquina de hielo no viene activada de fábrica.

- Para encender la máquina de hielo, pulse y mantenga pulsada la tecla Freezer Temp Set durante 3 segundos, o hasta que desaparezca el icono de no hielo (☹) en la pantalla. El depósito de hielo tardará aproximadamente 1-2 días en llenarse de hielo. En caso de que se produzca un corte de energía mientras el frigorífico está en funcionamiento, los cubitos de hielo pueden derretirse parcialmente y luego pegarse cuando se vuelvan a congelar. Si el corte de energía es prolongado, los cubos de hielo pueden convertirse en agua y provocar fugas. Si se produce un problema de este tipo.

4 Preparación

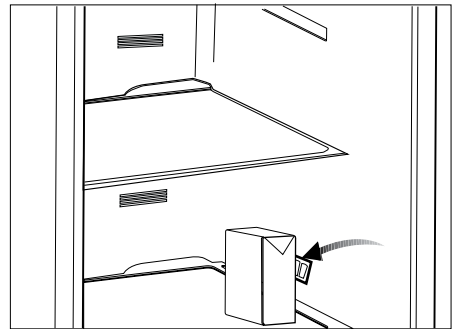
Antes de empezar a utilizar el aparato, compruebe que todos los preparativos se realizan de acuerdo con las instrucciones de los apartados "Instrucciones importantes para la seguridad y el medio ambiente" y "Instalación".

- Limpie el interior del frigorífico como se recomienda en el apartado "Mantenimiento y limpieza (Página 25)". Antes de operar asegúrese de que el interior esté seco.
- Enchufe el frigorífico en la toma de corriente con conexión a tierra. Al abrir la puerta se encenderá la iluminación interior.
- Haga funcionar el frigorífico sin poner ningún alimento durante 6 horas y no abra su puerta a menos que sea absolutamente necesario.
- No permita que los alimentos toquen el sensor de temperatura del compartimento de alimentos frescos.



	Se escuchará un ruido cuando el compresor cuando se pone en marcha. Los líquidos y gases sellados dentro del sistema de refrigeración también pueden dar lugar a ruido, incluso si el compresor no está funcionando y esto es bastante normal.
	Los bordes delanteros del frigorífico pueden sentirse calientes. Esto es normal. Estas áreas están diseñadas para ser calientes para evitar la condensación.

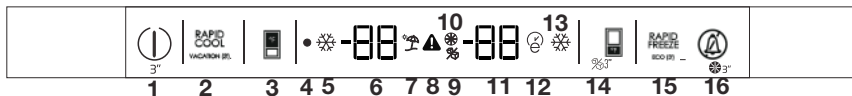
- Para que el compartimento de alimentos frescos mantenga su temperatura ideal de almacenamiento, el sensor no debe ser cubierto por los alimentos.



5 Pantalla y uso del producto

5.1 Panel de indicadores

El panel indicador de control táctil le permite ajustar la temperatura y controlar las demás funciones del refrigerador. Solo tiene que pulsar los botones correspondientes para configurar la función.



Nota: Las teclas 2, 14, 15 y 16 tienen dos funciones. La segunda función tiene una "b" después del número.

- 1-Tecla de potencia**
Pulse y mantenga pulsada esta tecla durante 3 segundos para encender y apagar el frigorífico.
- 2- Botón de Refrigeración Rápida**
Pulse esta tecla para activar la opción de Refrigeración Rápida, que reduce la temperatura del compartimento de alimentos frescos a su valor más bajo (33 F°) durante dos horas. Pasado este tiempo, volverá a la temperatura previamente ajustada.
- 2b. Modo de Vacaciones**
Al mantener pulsada la tecla de Refrigeración Rápida durante tres segundos, se activará el Modo Vacaciones. En el Modo Vacaciones el compartimento de Alimentos Frescos se mantendrá a 50 F° mientras el Congelador conserva su temperatura establecida. Reconocerá que el Modo de Vacaciones está activado por los guiones en el indicador de temperatura de alimentos frescos (6) y la iluminación de la "sombrialla de playa" (7). Pulse y mantenga pulsada la tecla Refrigeración Rápida durante 3 segundos para desactivar esta opción.
- 3- Tecla de ajuste de Temperatura de los Alimentos Frescos**
Para cambiar la temperatura en la sección de alimentos frescos entre 33 F° y 40 F° pulse esta tecla. En la pantalla de temperatura de Alimentos Frescos (6) se mostrará la temperatura ajustada.
- 4- Luz indicador de "apagado" de energía**
Cuando el frigorífico esté enchufado, pero NO encendido, se iluminará un punto rojo. Cuando el frigorífico se enciende, la luz roja se apaga.
- 5- Indicador de Refrigeración Rápida**
En la pantalla de la temperatura de los alimentos frescos aparece un icono en forma de "copo de nieve" a la izquierda para indicar que la opción de Refrigeración Rápida está activada.
- 6- Pantalla de Temperatura de Alimentos Frescos**
Aquí se visualizará la temperatura ajustada en el compartimento de Alimentos Frescos.
- 7-Indicador de Modo de Vacaciones**
Se iluminará el icono de la "sombrialla de playa" al activar el Modo de Vacaciones. Asimismo, aparecerán guiones en la pantalla de temperatura de alimentos frescos.
- 8- Advertencia de Temperatura Alta**
Si la temperatura en el Congelador es demasiado alta después de las primeras 72 horas de funcionamiento, se iluminará el signo de exclamación rojo. (Vea página 19 para más detalles)
- 9-Icono de Máquina de Hielo Apagada**
Cuando la máquina de hielo está apagada, se iluminan los cubitos de hielo con una barra.
- 10-Icono de Cambio de Filtro**
Cuando sea el momento de cambiar el filtro de agua, se iluminará el icono de cambio de filtro. (Para obtener instrucciones sobre cómo hacerlo, consulte la página 12).
- 11-Indicación de Temperatura del Compartimento Congelador**
Esta pantalla mostrará la temperatura ajustada del compartimento del congelador.
- 12-Icono Eco-Extra**
El icono Eco-Extra se iluminará cuando Eco-Extra esté activado. (Vea 15b para más información sobre esta opción).
- 13-Indicador de Congelación Rápida**
Se iluminará un icono en forma de copo de nieve a la derecha de la pantalla de temperatura del compartimento del congelador cuando esté activada la opción de Congelación Rápida. (Vea 15 para información sobre esa opción).
- 14-Tecla de Ajuste de Temperatura de Congelador**
Pulse esta tecla para ajustar la temperatura del compartimento Congelador, entre -8 F° y 5 F°.
- 14b. Tecla de encendido/apagado de Máquina de Hielo**
Mantenga pulsada la tecla Freezer Temp Set durante 3 segundos para encender y apagar la Máquina de Hielo.
- 15-Tecla de Congelación Rápida**
Pulse y mantenga pulsada la tecla de Congelación Rápida para activar la opción de Congelación Rápida, que hará descender la temperatura del Congelador a su ajuste más bajo (-8 F°) durante 24 horas. Pasado este tiempo, regresará a la temperatura previamente ajustada.
- 15b. Tecla Eco-Extra**
Pulse y mantenga pulsada la tecla de Congelación Rápida durante 3 segundos para activar la opción Eco-Extra. En este modo el frigorífico funcionará de la forma más eficiente. Permanecerá en este modo sólo mientras las puertas permanezcan cerradas.
- 16. Tecla de Apagado de Alarma**
En caso de que las puertas permanezcan abiertas durante más de 1 minuto, o si se detecta un error, sonará una alarma. Si se pulsa esta tecla, la alarma se silenciará.
- 16b. Reinicio de Temporizador de Cambio de Filtro**
En caso de que se encienda la luz de cambio de filtro (10), mantenga pulsada la tecla de desactivación de la alarma durante 3 segundos para restablecer el temporizador. La luz de reinicio del filtro se encenderá después de 130 días de funcionamiento.



***opcional:** Las imágenes en este manual son esquemáticos y pueden no coincidir exactamente con el aparato. Si usted ha comprado las piezas que no se incluyen en el aparato, entonces esas piezas son válidas para otros modelos.

5.2 Modo Sabbath



Tecla de Ajuste de Temperatura de Alimentos Frescos

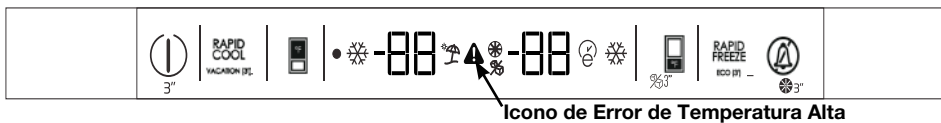
Pulse la tecla de función Fresh Food Temp Set durante 3 segundos para activar o desactivar el Modo Sabbath. Cuando el Modo Sabbath está activado, la pantalla, la alarma, la apertura de la puerta o los botones de luz no funcionarán. En la pantalla aparecerá "SA". El algoritmo de enfriamiento se ajusta de acuerdo a la moda sabática. Si el usuario no desactiva el modo Sabbath, el refrigerador lo cancelará automáticamente en 72 horas.

5.3 Modo Showroom



Modo Showroom es una opción utilizada principalmente en salas de exposición de distribuidores. Permite que el producto se encienda sin el funcionamiento de los ventiladores y el sistema de refrigeración. A fin de activar este modo, mantenga pulsado "Potencia" y "Alarma Apagada" hasta que aparezca PS 0. Utilice la tecla "Freezer Temperature Set" (Ajuste de Temperatura de Congelador) para cambiar el 0 por un 8. Después, pulse la tecla "Fresh Food Temperature Set" (Ajuste de Temperatura de Alimentos Frescos) para activarlo. Para desactivar, mantenga pulsada la tecla "Potencia" & "Alarma Apagada" de nuevo.

5.4 Error de Alta Temperatura



El icono de Error de Temperatura Alta se muestra cuando la temperatura del Congelador es demasiado alta después de las 72 horas iniciales de funcionamiento. En caso de que la temperatura del Congelador alcance 28F° (-2,2°C) o más, y no baje de 16 F° (-9°C) dentro de 12 horas, el icono de Error de Temperatura Alta se iluminará, sonará una alarma y la temperatura ajustada y la temperatura más alta alcanzada en el Congelador cambiarán en la pantalla. Al pulsar la tecla "Alarma Apagada", la alarma se silenciará, pero el icono y la temperatura parpadearán continuamente hasta que el Congelador quede por debajo de los 16F° (-9°C). En caso de que el Congelador no se enfríe por debajo de los 16F° (-9°C) en las próximas 3,5 horas, la alarma audible volverá a sonar. Es posible volver a silenciar la alarma audible con la tecla "Alarma Apagada". En el caso de que el error continúe, se debe revisar que las puertas estén bien cerradas y selladas. Por lo general, la causa de este error es un fallo de alimentación en el circuito al que está conectado el refrigerador. En caso de que el icono continúe volviendo, se debe llamar a un agente de servicio autorizado para que inspeccione la unidad.

Temperaturas de Funcionamiento

Ajuste de Compartimento Congelador	Ajuste de Compartimento Frigorífico	Explicaciones
5F°/-15°C	39 F° /4°C	Este es el ajuste normalmente recomendado.
-4F°/-20°C	37 F° / 3°C	Estos ajustes se recomiendan cuando la temperatura ambiente supera los 86 °F /30°C.
Quick Freeze	39 F° / 4°C	Úselo cuando desee congelar su comida en poco tiempo. El frigorífico volverá a su modo anterior cuando termine el proceso.
5 F° /-15°C o más frío	Quick Fridge	Utilice esta función cuando coloque grandes cantidades en el compartimento del frigorífico o cuando necesite enfriar los alimentos rápidamente. Se recomienda activar la función Frío Rápido 4-8 horas antes de colocar los alimentos en el compartimento.

Uso del aparato

5.5 Congelación de alimentos frescos

- Envuelva los alimentos o colóquelos en un recipiente con tapa antes de introducirlos en el frigorífico.
- Los alimentos y bebidas calientes deben enfriarse a la temperatura ambiente antes de meterlos en el frigorífico.
- Los alimentos que se quieren congelar deben ser frescos y de buena calidad.
- Empaque los alimentos de manera hermética para evitar que se sequen aunque vayan a ser almacenados por poco tiempo.
- Los materiales que se utilicen para el embalaje deben ser resistentes al desgarro y al frío, a la humedad, a los aceites y a los ácidos, y también deben ser herméticos. Todo el embalaje debe estar completamente sellado.
- Los alimentos congelados deben ser utilizados inmediatamente después de ser descongelados y Nunca deben ser recongelados.
- No congele cantidades excesivas de alimentos de una sola vez. La calidad de los alimentos se conserva mejor cuando se congelan hasta el núcleo lo más rápidamente posible.
- Colocar alimentos calientes en el compartimento del congelador hace que el sistema de refrigeración funcione continuamente hasta que los alimentos se congelen.

5.6 Recomendaciones para conservar los alimentos congelados

Para garantizar la calidad alcanzada por el fabricante de alimentos congelados y el restaurador de alimentos, siga los pasos indicados a continuación:



1. Coloque los paquetes en el congelador lo antes posible después de la compra.
2. Asegúrese de que el contenido del paquete está etiquetado y fechado.
3. Comprobar si las fechas de "Consumir antes de" y "Consumir preferentemente antes de" que aparecen en el envase se superan o no.

5.7 Colocación de los alimentos

Estantes del congelador	Varios artículos congelados como carne, pescado, helados, vegetales, etc.
Estantes del compartimento frigorífico	Comida en ollas o sartenes, platos cubiertos y recipientes cerrados
Estante de puerta del compartimento frigorífico	Alimentos o bebidas pequeñas y envasadas (como leche, zumo de frutas, cerveza, etc.)
Cajón de frutas y verduras	Verduras y frutas
Cajón de charcutería	Productos de charcutería (queso, mantequilla, salami, etc.)

5.8 Información sobre la congelación

Puede mantener la frescura de los alimentos durante muchos meses (a temperaturas de 5 °F/ -15°C o inferiores en el congelador).

	Divida los alimentos en porciones de acuerdo con las necesidades de consumo diario o de comidas de su familia.
	Empaque los alimentos de manera hermética para evitar que se sequen aunque vayan a ser almacenados por poco tiempo.

- Materiales necesarios para el embalaje:
- Cinta adhesiva resistente al frío
- Etiqueta autoadhesiva
- Anillas de goma
- Bolígrafo

Uso del aparato

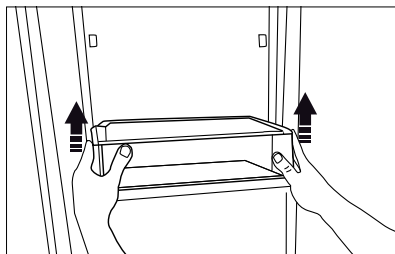
5.9 Cómo retirar los estantes de la puerta

Puede retirar los estantes de la puerta para limpiarlos.

Primero, vacíe los alimentos del interior.

Empuje el estante deseado hacia arriba para retirarlo.

No retire el estante de la puerta cuando haya alimentos en él.



5.10 Mover el Estante FlexiLift de Puerta

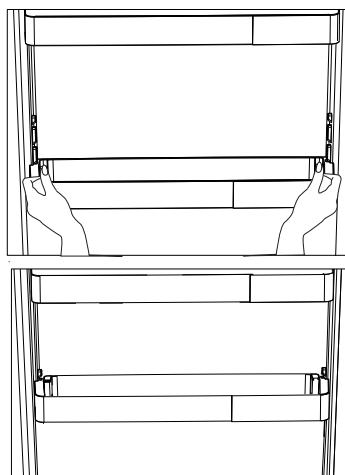
*opcional

Mover el estante FlexiLift de puerta puede realizar desde 3 posiciones diferentes.

Para mover el estante, hay que pulsar uniformemente los botones del lateral. El estante será móvil.

Mueve el estante hacia arriba o hacia abajo.

Cuando el estante esté en la posición deseada, suelte los botones. La rejilla se fijará de nuevo en la posición en la que haya soltado los botones.



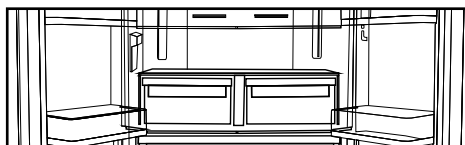
5.11 Estantes de vidrio

Puede retirar los estantes de cristal para limpiarlos. Tenga cuidado al retirar los estantes, ya que son pesados.

5.12 Cajones de verdura

(en algunos modelos)

Cajones de verdura permiten preparar la comida para la congelación. También pueden utilizar estos compartimentos para almacenar los alimentos a una temperatura de unos pocos grados por debajo del compartimento del frigorífico.



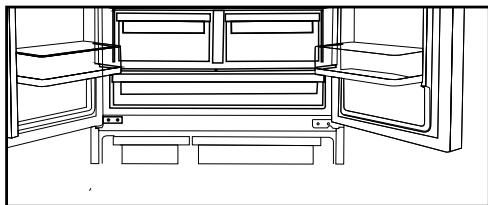
Puede aumentar el volumen interior del frigorífico mediante la eliminación de cualquiera de los compartimentos enfriadores:

1. Tire del compartimento hacia usted hasta que se detenga.
2. Levante el compartimento aproximadamente 7/16" (1 cm) hacia arriba y tire hacia usted para sacarlo de su asiento.

5.13 Cajón de Charcutería

Cajón de Charcutería fue diseñado con circulación de aire fresco alrededor. De este modo, los productos almacenados en el cajón suelen estar en un compartimento de alimentos frescos a una temperatura superior a la media de los alimentos frescos.

Si se requiere, quite los estantes de la puerta antes de quitar el Cajón de Charcutería



5.14 Cajón refrigerante con control de humedad

Los niveles de humedad de las verduras y la fruta se mantienen bajo control con la función de crisol con control de humedad y se garantiza que los alimentos se mantengan frescos durante más tiempo.

Le recomendamos que coloque las verduras de hoja como la lechuga, las espinacas y las verduras sensibles a la pérdida de humedad, de forma horizontal en la medida de lo posible dentro del cajón, y no sobre sus raíces en posición vertical.

Mientras se colocan las verduras, debe tenerse en cuenta el peso individual de las mismas. Las verduras pesadas y duras deben colocarse en el fondo del frigorífico y las verduras ligeras y blandas deben colocarse encima.

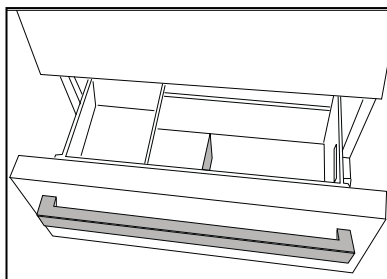
Nunca deje las verduras dentro del cajón de verduras en sus bolsas. Esto causará su descomposición prematura. En caso de querer mantener las verduras separadas, utilice bolsas de papel perforadas o materiales similares para hacerlo. Ciertas frutas tales como las peras, los albaricoques, los melocotones o las manzanas generan altos niveles de gas etileno. No las coloque con otras frutas y verduras, ya que esto hará que se descompongan más rápidamente.

5.15 Contenedor de hielo

El contenedor de hielo se utiliza para recoger el hielo producido por la máquina de hielo. No introduzca agua para hacer hielo, ya que puede romperse. El contenedor de hielo no se utiliza para almacenar alimentos.

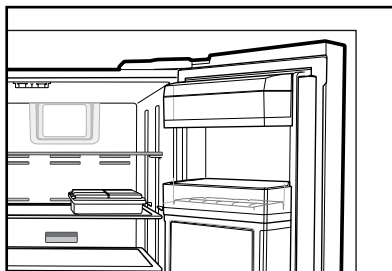


La máquina de hielo puede dejar caer hielo cuando se abre el contenedor de hielo.



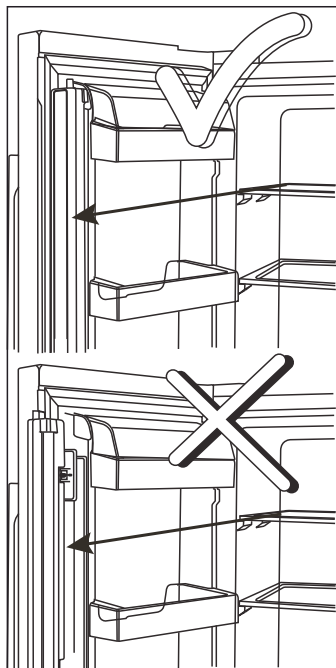
5.16 Sección de mantequilla y queso

Guarde los alimentos como la mantequilla, el queso y la margarina en esta sección.



5.17 Aletas de puerta

La aleta móvil de puerta tiene por objeto evitar que el aire frío del interior del frigorífico salga al exterior. El sellado se produce cuando las juntas de la puerta presionan la superficie de aleta de puerta mientras las puertas del compartimento del frigorífico están cerradas.



5.18 ActiveFresh Luz Azul

Los crispers del frigorífico se iluminan con luz azul. Los alimentos almacenados en los crispers continúan su fotosíntesis mediante el efecto de la longitud de onda de la luz azul y así, conservan su frescura y su contenido en vitaminas.

5.19 IonGuard (en algunos modelos)

El aire es ionizado por medio del sistema ionizador en el conducto de aire del compartimiento del refrigerador. Gracias a este sistema, se eliminan del aire las bacterias y las moléculas odorizantes.

5.20 Filtro de olores

El filtro de olores en el conducto de aire del compartimiento del frigorífico evita la acumulación de olores desagradables en el frigorífico.

6. Limpieza y mantenimiento

La vida útil del producto se alarga y se disminuyen los problemas comunes, si se limpia regularmente.



ADVERTENCIA: Desenchufe el aparato antes de limpiarlo.

- No utilice nunca gasolina, benceno o sustancias similares para la limpieza.
- No utilice nunca herramientas afiladas y abrasivas, jabón, limpiadores domésticos, detergente y abrillantador de cera para la limpieza.
- Disuelve una cucharadita de bicarbonato de sodio en una pinta de agua. Empapar un paño con la solución y escurrirlo bien. Limpie el interior del frigorífico con este paño y séquelo bien.
- Asegúrese de que no entre agua en la carcasa de la lámpara ni en otros elementos eléctricos.
- Si no va a utilizar el frigorífico durante un largo periodo de tiempo, desenchúfelo, saque todos los alimentos del interior, límpielo y deje la puerta entreabierta.
- Compruebe regularmente que las juntas de la puerta estén limpias. Si no, límpielos.
- Para quitar la puerta y los estantes del cuerpo, retire todo su contenido.
- Retire los estantes de la puerta tirando ellos hacia arriba. Después de la limpieza, deslícelos de arriba a abajo para instalarlos.
- No utilice nunca productos de limpieza ni agua que contenga cloro para limpiar las superficies exteriores y las partes cromadas del aparato. El cloro causa corrosión en estas superficies metálicas

6.1 Cómo evitar los malos olores

En la producción de nuestros frigoríficos no se utilizan materiales que puedan causar olores. Sin embargo, debido a las condiciones inadecuadas de conservación de los alimentos y a no limpiar la superficie interior del frigorífico como es debido, puede surgir el problema de los olores. Preste atención a lo siguiente para evitar este problema:

- Es importante mantener el frigorífico limpio. Los restos de comida, las manchas, etc. pueden causar olores. Por lo tanto, limpie el refrigerador con bicarbonato de sodio disuelto en agua cada 15 días. No utilice nunca detergentes o jabón.
- Mantenga los alimentos en recipientes cerrados. Los microorganismos que se extienden desde los recipientes sin tapa pueden causar olores desagradables.
- Nunca guarde en el frigorífico los alimentos que estén caducados o estropeados.

6.2 Proteger las superficies de plástico

No introduzca en su frigorífico aceites líquidos o comidas cocinadas en aceite en recipientes sin cerrar, ya que dañan las superficies de plástico del frigorífico. Si se derrama o mancha aceite en las superficies de plástico, limpie y aclare inmediatamente la parte correspondiente de la superficie con agua caliente.

7. Solución de problemas

Compruebe esta lista antes de ponerse en contacto con el servicio técnico. Si lo hace, le ahorrará tiempo y dinero. Esta lista incluye quejas frecuentes que no están relacionados con la mano de obra ni materiales defectuosos. Algunas funciones mencionadas en este documento pueden no ser aplicables a su aparato.

El frigorífico no está funcionando.

- El enchufe de corriente no está completamente asentado. >>> Enchúfelo completamente en la toma de corriente.
- El fusible conectado a la toma de corriente del aparato o el fusible principal está fundido. >>> Asegúrese de que la unidad está encendida. Si la pantalla muestra una sola luz roja, significa que el producto está enchufado pero no encendido. Pulse y mantenga pulsado el botón de encendido durante tres segundos para encender la unidad.
- **Condensación en la pared lateral del compartimento de alimento fresco (MULTI ZONE, COOL, y FLEXI ZONE).**
- La puerta se abre con demasiada frecuencia >>> Tenga cuidado de no abrir la puerta del aparato con demasiada frecuencia.
- El medio ambiente es demasiado húmedo. >>> No instale el aparato en ambientes húmedos.
- Los alimentos que contienen líquidos se mantienen en sus envases sin sellar. >>> Mantenga los alimentos que contengan líquidos en envases sellados.
- La puerta del aparato se deja abierta. >>> No mantenga la puerta del aparato abierta durante largos períodos de tiempo.
- El termostato está ajustado a una temperatura demasiado baja. >>> Ajuste el termostato a la temperatura adecuada.

El compresor no está funcionando.

- En caso de fallo de corriente repentino o tirando del enchufe de corriente y poniéndolo de nuevo, la presión del gas en el sistema de refrigeración del aparato no será equilibrada, lo que desencadena la salvaguardia térmica del compresor. El aparato se reiniciará después de aproximadamente 6 minutos. Si el aparato no se reinicia después de este período, póngase en contacto con un servicio técnico.
- La descongelación está activa. >>> Esto es normal para un aparato de descongelación completamente automático. La descongelación se realiza periódicamente.
- El aparato no está enchufado. >>> Asegúrese de que el cable de corriente esté enchufado.
- El ajuste de la temperatura es incorrecto. >>> Seleccione el ajuste adecuado de la temperatura.
- No hay energía eléctrica. >>> El aparato continuará funcionando con normalidad una vez que se restablezca la corriente.

El ruido de funcionamiento del frigorífico aumenta durante su uso.

- El desempeño operativo del aparato puede variar en función de las variaciones de la temperatura ambiente. Esto es normal y no indica mal funcionamiento.

El frigorífico funciona demasiado a menudo o por demasiado tiempo.

- El nuevo aparato puede ser más grande que el anterior. Los aparatos de mayor tamaño se ejecutarán por períodos más largos.
- La temperatura ambiente puede ser alta. >>> El aparato normalmente funciona durante largos períodos a mayor temperatura de la habitación.
- El aparato puede haber sido conectado recientemente o un nuevo alimento fue colocado en su interior. >>> El aparato tardará más en alcanzar la temperatura fijada cuando es enchufado recientemente o si un nuevo alimento se coloca en el interior. Esto es normal.

Solución de problemas

- Grandes cantidades de alimentos calientes pueden haber sido colocados recientemente en el aparato. >>> No coloque alimentos calientes dentro del aparato.
- Las puertas se abren frecuentemente o se mantienen abiertas durante largos períodos. >>> El aire caliente que se mueve adentro hará que el aparato funcione más tiempo. No abra las puertas con demasiada frecuencia.
- La puerta del congelador o del compartimento de alimentos frescos puede estar entreabierta. >>> Compruebe que las puertas estén completamente cerradas.
- El aparato puede estar ajustado a una temperatura demasiado baja. >>> Ajuste la temperatura a un grado más alto y espere a que el aparato alcance la temperatura ajustada.
- La arandela de la puerta de compartimento de alimentos frescos o el congelador puede estar sucia, desgastada, rota o mal instalada. >>> Limpie o reemplace la arandela. Una arandela de la puerta dañada / agrietada hará que el aparato funcione durante períodos más largos para preservar la temperatura actual.

La temperatura de compartimento de alimentos frescos es muy baja, pero la temperatura del frigorífico es adecuada.

- La temperatura del compartimento congelador se establece a un grado muy bajo. >>> Ajuste la temperatura del compartimento del congelador a un grado más alto y vuelva a intentarlo.

La temperatura de compartimento de alimentos frescos es muy baja, pero la temperatura del congelador es adecuada.

- La temperatura de compartimento de alimentos frescos se establece a un grado muy bajo. >>> Ajuste la temperatura del compartimento del congelador a un grado más alto y vuelva a intentarlo.

Los alimentos guardados en los cajones de compartimento de alimentos frescos se congelan.

- La temperatura de compartimento de alimentos frescos se establece a un grado muy bajo. >>> Ajuste la temperatura del compartimento del congelador a un grado más alto y vuelva a intentarlo.

La temperatura en el frigorífico o en compartimento de alimentos frescos es demasiado alta.

- La temperatura de compartimento de alimentos frescos se establece a un grado muy alto. >>> El valor de la temperatura del compartimento de alimentos frescos tiene un efecto sobre la temperatura en el compartimento congelador. Espere hasta que la temperatura de las partes pertinentes alcancen el nivel suficiente cambiando la temperatura del frigorífico o de compartimento de alimentos frescos.
- Las puertas se abren frecuentemente o se mantienen abiertas durante largos períodos. >>> No abra las puertas con demasiada frecuencia.
- La puerta puede estar abierta. >>> Cierre la puerta por completo.
- El aparato puede haber sido conectado recientemente o un nuevo alimento fue colocado en su interior. >>> Esto es normal. El aparato tardará más en alcanzar la temperatura fijada fue enchufado recientemente o si un nuevo alimento se coloca en el interior.
- Grandes cantidades de alimentos calientes pueden haber sido colocados recientemente en el aparato. >>> No coloque alimentos calientes dentro del aparato.

Ruido o agitación.

- El suelo no está nivelado o no es firme. >>> Si el aparato está temblando cuando se mueve lentamente, ajuste las patas para equilibrar el aparato. También asegúrese de que el suelo sea lo suficientemente resistente para soportar el aparato.
- Cualquier artículo colocado sobre el aparato pueden causar ruido. >>> Retire todos los objetos colocados sobre el aparato.

El aparato está haciendo ruido de flujo de líquido, rociado, etc.

- Los principios de funcionamiento del aparato implican flujos de líquido y gas. >>> Esto es normal y no indica mal funcionamiento.

Solución de problemas

Hay sonido del viento que sopla procedente del aparato.

- El aparato utiliza un ventilador para el proceso de enfriamiento. Esto es normal y no indica mal funcionamiento.

Hay condensación en las paredes internas del aparato.

- El clima caliente o húmedo aumentarán la formación de hielo y de condensación. Esto es normal y no indica mal funcionamiento.
- Las puertas se abren frecuentemente o se mantienen abiertas durante largos períodos. >>> No abra las puertas con demasiada frecuencia, si están abiertas, ciérrelas.
- La puerta puede estar abierta. >>> Cierre la puerta por completo.

Hay condensación en el exterior del aparato o entre las puertas.

- Puede ser por que el clima ambiental sea húmedo, esto es bastante normal en ambientes húmedos. >>> La condensación se disipará cuando se reduzca la humedad.

El interior huele mal.

- El aparato es limpiado regularmente. >>> Limpie el interior con regularidad utilizando una esponja, agua caliente y agua carbonatada.
- Ciertos envases y materiales de embalaje pueden causar olor. >>> Utilice envases y materiales de embalaje que sean exentos de olores.
- Los alimentos se colocan en envases no sellado. >>> Mantenga los alimentos en envases sellados. Los microorganismos pueden propagarse fuera de los alimentos no sellados y causar mal olor. Retire todos los alimentos caducados o en mal estado del aparato.

La puerta no se cierra.

- Los paquetes de alimentos pueden estar bloqueando la puerta. >>> Cambie de lugar los elementos que bloquean las puertas.
- El aparato no está en posición vertical sobre la base. >>> Ajuste los soportes para equilibrar el aparato.
- El suelo no está nivelado o no es firme. >>> Asegúrese de que el suelo esté nivelado y sea lo suficientemente resistente para soportar el aparato.

El cajón de vegetales se ha atascado.

- Los alimentos pueden obstruir la parte superior del cajón. >>> Reorganice los alimentos en el cajón.

Si la superficie del aparato está caliente.

- Se pueden observar altas temperaturas entre las dos puertas, en los paneles laterales y en la parrilla trasera mientras el aparato está en funcionamiento. Esto es normal y no requiere mantenimiento! Tenga cuidado al tocar estas áreas.



ADVERTENCIA:

Si el problema persiste después de seguir las instrucciones de esta sección, póngase en contacto con su vendedor o un Servicio Autorizado. No trate de reparar el aparato.



ADVERTENCIA:

- Este aparato puede exponerle a sustancias químicas, incluido el níquel (metálico), del que el Estado de California sabe que provoca cáncer.
- Para más información, visite www.P65Warnings.ca.gov
- Nota : El níquel es un componente de todo el acero inoxidable y algunos otros componentes metálicos.

Félicitations pour l'achat de votre nouveau réfrigérateur ! Ce réfrigérateur a été fabriqué dans des installations modernes avec le plus grand soin et des contrôles qualité méticuleux. Nous sommes si confiants en la qualité de ce produit que nous l'accompagnons d'une garantie de deux ans sur les pièces et la main-d'œuvre, et de cinq ans sur le système scellé ! Veuillez lire ce manuel d'utilisation dans son intégralité avant d'utiliser votre produit, afin de vous assurer que vous comprenez toutes ses caractéristiques et avantages et que vous savez comment l'utiliser correctement. Ce manuel doit être conservé dans un endroit facilement accessible et transmis à tout futur propriétaire.

Ce manuel vous aidera à utiliser votre appareil plus rapidement et en toute sécurité.

Veuillez lire attentivement le manuel d'utilisation avant d'installer et d'utiliser le réfrigérateur.

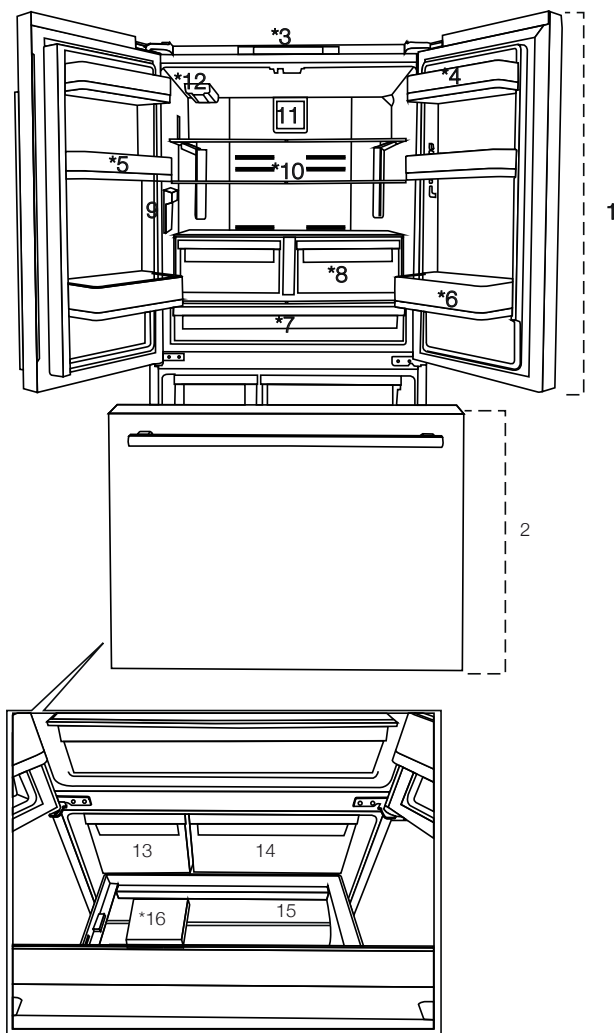
- Respectez toujours les instructions de sécurité en vigueur.
- Veuillez lire tous les autres documents fournis avec l'appareil.
- Veuillez noter que ce manuel d'utilisation peut se rapporter à plusieurs modèles de cet appareil. Veuillez noter les différents symboles utilisés dans ce manuel et ce qu'ils représentent.

	Informations importantes et renseignements utiles.
	Avertissement relatif aux conditions dangereuses pour la vie et la propriété.
	Risque d'électrocution.
	L'emballage de l'appareil a été fabriqué à partir de matériaux recyclables, conformément à la législation nationale en matière d'environnement.

<i>Remplissez ce formulaire et conservez-le pour référence ultérieure</i>	
<i>Modèle</i>	
<i>Numéro de série</i>	
<i>Date d'achat</i>	
<i>Acheteur initial</i>	
<i>Concessionnaire</i>	
<i>Ville</i>	
<i>État</i>	
<i>Code postal</i>	
<i>Pays</i>	

1	Votre réfrigérateur	3	4	Préparation	16
2	Consignes importantes sur la sécurité et l'environnement	5	5	Affichage et utilisation du produit	17
2.1	Sécurité générale	5	5.1	Panneau indicateur	17
2.1.1	Avertissement HCA	6	5.2	Mode Sabbat	18
2.1.2	Pour les modèles avec distributeur d'eau	6	5.3	Mode Showroom	18
2.2	Utilisation prévue	6	5.4	Erreur de température élevée	18
2.3	La sécurité des enfants	6	5.5	Congélation des aliments frais	20
2.4	Informations sur l'emballage	6	5.6	Recommandations relatives à la conservation des aliments congelés	20
3	Installation	7	5.7	Disposition des aliments	20
3.1	Avant l'installation	11	5.8	Informations relatives à la congélation	20
3.2	Emplacement approprié de l'installation	11	5.9	Retrait des étagères de porte	21
3.4	Raccordement électrique	12	5.10	Déplacement de la tablette de porte FlexiLift21	21
3.5	Réglage des pieds	12	5.11	Étagères en verre	21
3.6	Lampe d'éclairage	13	5.12	Bacs à légumes	21
3.7	Avertissement de porte/tiroir ouvert	13	5.13	Tiroir à charcuterie	21
3.8	Raccordement de l'eau	13	5.14	Bac à humidité contrôlée	22
3.9	Raccordement du tuyau d'eau au réfrigérateur	13	5.15	Bac à glaçons	22
3.10	Raccorder la conduite d'eau à l'alimentation en eau	13	5.16	Section amuse-gueule	22
3.11	Installation du filtre à eau interne	14	5.17	Clapets de porte	22
3.12	Avant d'utiliser le distributeur d'eau	15	5.18	Lumière bleue ActiveFresh	23
3.12.1	Utiliser la machine à glaçons	15	5.19	IonGuard	23
3.13	Transport du produit	15	6.	Entretien et nettoyage	24
			6.1	Éviter les mauvaises odeurs	24
			6.2	Protection des surfaces en plastique	24
			7.	Dépannage	25

1 Votre réfrigérateur



- 1- Compartiment du réfrigérateur
- 2- Congélateur inférieur
- 3- Panneau d'affichage/indicateur
- 4- Section beurre et fromage
- 5- Étagères de porte FlexiLift
- 6- Étagère pour les bouteilles
- 7- Tiroir à charcuterie
- 8- Bacs à légumes

- 9- Distributeur d'eau
- 10- Étagère en verre réglable
- 11- Capot du ventilateur
- 12- Filtre à eau
- 13- Récipient à glace
- 14- Bac de stockage des aliments congelés
- 15- Tiroir du congélateur
- 16- Séparateur



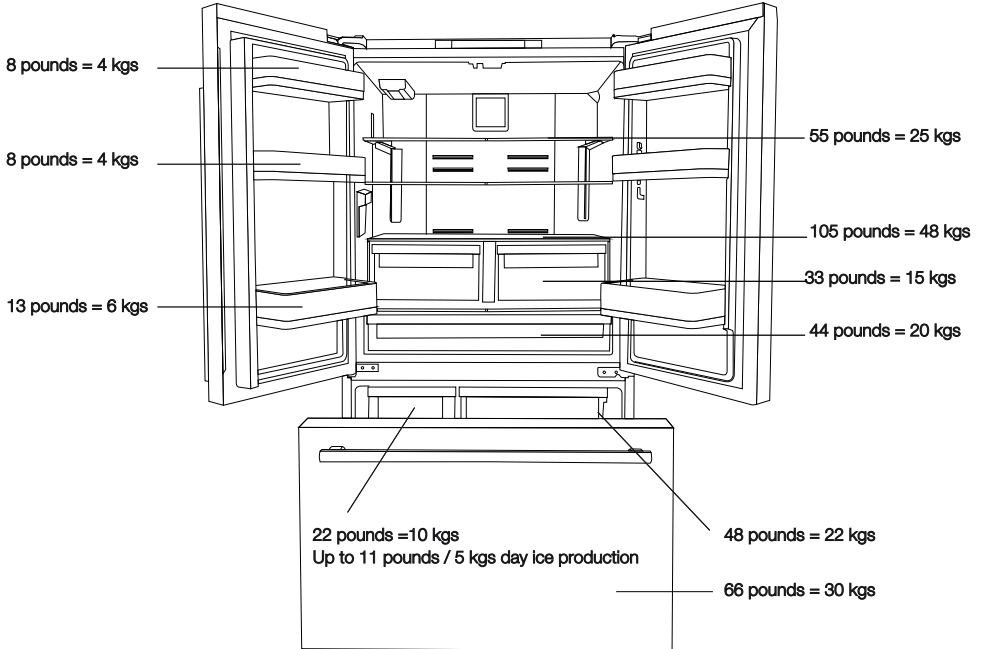
Les illustrations présentées dans ce manuel d'utilisation sont schématiques et peuvent ne pas correspondre exactement à votre produit. Si les pièces concernées ne sont pas incluses dans le produit que vous avez acheté, ces pièces ne sont valables que pour d'autres modèles.

Limites de poids des étagères du réfrigérateur

Les étagères à bascule du compartiment réfrigérateur, celles qui n'ont que des supports arrière, sont testées pour un maximum de 25 kg (55 livres) par pièce.

Les bacs à légumes peuvent contenir jusqu'à 15 kg (33 livres) chacun. Le tiroir à charcuterie peut contenir jusqu'à 20 kg (44 livres).





Le bac à glace peut contenir jusqu'à 10 kg (22 livres), il est destiné à être utilisé sans glace. Le bac de congélation peut contenir jusqu'à 24 kg (53 livres) et le tiroir jusqu'à 30 kg (66 livres).



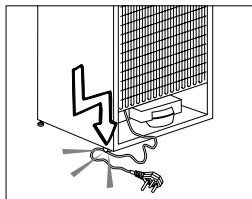
2 Consignes importantes sur la sécurité et l'environnement

Cette section comprend les instructions de sécurité qui vous protègent de toute blessure physique ou de tout dommage matériel.

Le non-respect de ces instructions annule toute garantie.

	AVERTISSEMENT : Veillez à ce que les conduits d'aération de l'enceinte de l'appareil ou de la structure intégrée ne soient pas obstrués.
	AVERTISSEMENT : N'utilisez pas de dispositifs mécaniques ou autres moyens pour accélérer le processus de dégivrage, autres que ceux recommandés par le fabricant.
	AVERTISSEMENT : N'abîmez pas le circuit réfrigérant.
	AVERTISSEMENT : N'utilisez pas d'appareils électriques de types autres que ceux recommandés par le fabricant, à l'intérieur des compartiments de stockage d'aliments de l'appareil.

d'alimentation. Le cordon d'alimentation ne doit pas être plié, écrasé et entrer en contact avec une source de chaleur.



- Ne lavez jamais l'appareil par pulvérisation ou aspersion d'eau ! Il existe un risque d'électrocution !
- Ne touchez jamais la fiche avec des mains mouillées ! Ne la débranchez jamais en tirant le cordon. Veuillez toujours tenir à partir de la fiche.
- Ne branchez pas le réfrigérateur sur une prise murale mal fixée.
- Ne branchez jamais votre réfrigérateur sur des systèmes d'économie d'énergie. De tels systèmes peuvent être dangereux pour l'appareil.
- Débranchez l'appareil pendant les procédures d'installation, d'entretien, de nettoyage et de réparation.
- Faites toujours appel à un **agent de service agréé** pour toute procédure d'installation et de réparation. Le fabricant ne saurait être tenu responsable de tout dommage résultant de la prise en charge de ces procédures par des personnes non autorisées.
- Ne placez pas de bouteilles ou de canettes dans le compartiment congélateur. Elles peuvent exploser !
- N'utilisez jamais de la vapeur ou des agents nettoyants à vapeur pour nettoyer ou dégivrer le réfrigérateur. La vapeur peut entraîner un court-circuit ou une électrocution, car elle entre en contact avec les pièces électriques du réfrigérateur !
- N'utilisez jamais les pièces de votre réfrigérateur, par exemple la porte ou le tiroir, comme moyen d'appui ou comme marche. Vous risquez de déséquilibrer l'appareil ou d'endommager ses pièces.
- N'endommagez pas le circuit de refroidissement à l'aide d'outils de perçage ou de coupe. Le réfrigérant qui pourrait s'échapper lorsque les canaux de gaz de l'évaporateur, les extensions de tuyaux ou les revêtements de surface sont percés peut provoquer des irritations de la peau et des blessures aux yeux.
- Éviter de couvrir ou de bloquer les orifices de ventilation du réfrigérateur.
- N'utilisez pas de pulvérisateur gazeux à proximité de l'appareil. Cela présente des risques d'incendie ou d'explosion !

2.1 Sécurité générale

- Cet appareil peut être utilisé par des enfants âgés d'au moins 8 ans et des personnes dont les capacités physiques, sensorielles ou mentales sont réduites, ou qui manquent d'expérience et de connaissances, à condition qu'elles soient supervisées ou ont été formées à l'utilisation sans danger de l'appareil et des risques encourus. Ne laissez pas les enfants jouer avec l'appareil. Ne laissez pas les enfants effectuer le nettoyage et l'entretien de l'appareil, à moins qu'ils soient sous surveillance.
- Débranchez l'appareil si une panne survient pendant son utilisation.
- En cas de panne, n'utilisez pas l'appareil jusqu'à ce qu'il soit réparé par un agent de service agréé. Il existe un risque d'électrocution !
- Branchez l'appareil à une prise de mise à la terre, protégée par un fusible respectant les valeurs indiquées sur la plaque signalétique. Contactez un technicien qualifié pour l'installation de la mise à la terre. Nous ne sommes en aucun cas responsables de tout dommage lié à l'utilisation de l'appareil avec un système de mise à la terre non conforme à la réglementation locale.
- Ne pas faire passer le cordon d'alimentation sous le produit. Ne placez aucun objet lourd sur le cordon



Importantes instructions sur la sécurité et l'environnement

- Ne conservez jamais des éléments ou des produits inflammables contenant des gaz inflammables (tels que des pulvérisateurs) ainsi que des matières explosives à l'intérieur de l'appareil.
- Ne posez pas de récipients remplis de liquide au-dessus du réfrigérateur. Les projections d'eau sur les composants électriques peuvent entraîner des électrocutions et un risque d'incendie.
- Ne conservez pas de produits (vaccins, médicaments thermosensibles, matériaux scientifiques, etc.) qui nécessitent un contrôle précis de température à l'intérieur du réfrigérateur.
- Si vous n'utiliserez pas l'appareil pendant une longue période, veuillez le débrancher et le décharger de tous les aliments à l'intérieur.
- Si l'appareil est équipé d'un voyant lumineux bleu, ne contemplez pas le voyant lumineux à l'aide d'instruments optiques.
- Ne surchargez pas l'appareil. Il pourrait tomber lorsque la porte est ouverte et provoquer des blessures ou subir des dommages. Des problèmes similaires peuvent survenir lorsque vous posez tout matériel au-dessus de l'appareil.
- Évitez que vos mains ou toute autre partie de votre corps soient coincées par les pièces amovibles situées à l'intérieur du réfrigérateur.

2.1.1 Avertissement HCA

- Si le système de refroidissement de votre appareil contient du R600a :

Ce gaz est inflammable. Par conséquent, faites attention à ne pas endommager le système de refroidissement et la tuyauterie pendant l'utilisation et le transport. En cas de dommages, éloignez l'appareil de toute source potentielle d'incendie susceptible de l'enflammer et ventilez la pièce dans laquelle il est placé.

	Vous pouvez identifier le type de gaz utilisé dans votre produit en vous référant à l'étiquette de modèle/série située sur la paroi gauche du compartiment supérieur.
	AVERTISSEMENT : N'éliminez jamais l'appareil dans du feu.

2.1.2 Pour les modèles avec distributeur d'eau

- La pression pour l'entrée d'eau froide doit être de 620 kPa (90 psi) maximum. Si la pression d'eau est supérieure à 80 psi (550 kPa), utilisez une soupape de limitation de pression dans votre système principal. Si vous ne savez pas comment vérifier la pression d'eau, demandez l'aide d'un

plombier professionnel.


- S'il existe un risque de choc hydraulique dans votre installation, utilisez toujours un équipement de prévention contre ces chocs dans votre installation. Consultez des plombiers professionnels si vous n'êtes pas sûr de l'existence d'un effet de choc hydraulique dans votre installation.
- Ne pas installer sur l'entrée d'eau chaude. Prenez des précautions pour protéger les tuyaux contre le risque de congélation. Les températures normales de fonctionnement de l'eau doivent se situer entre 0,6 °C (33 °F) au minimum et 38 °C (100 °F) au maximum.
- N'utilisez que de l'eau potable.

2.2 Utilisation prévue

- Cet appareil a été conçu exclusivement pour un usage domestique. Il ne convient pas à l'usage commercial et ne doit pas être utilisé pour des besoins autres que son utilisation prévue.
- Utilisez cet appareil uniquement pour la conservation des aliments.
- Le fabricant décline toute responsabilité sur l'utilisation et le transport inappropriés de l'appareil.

2.3 La sécurité des enfants

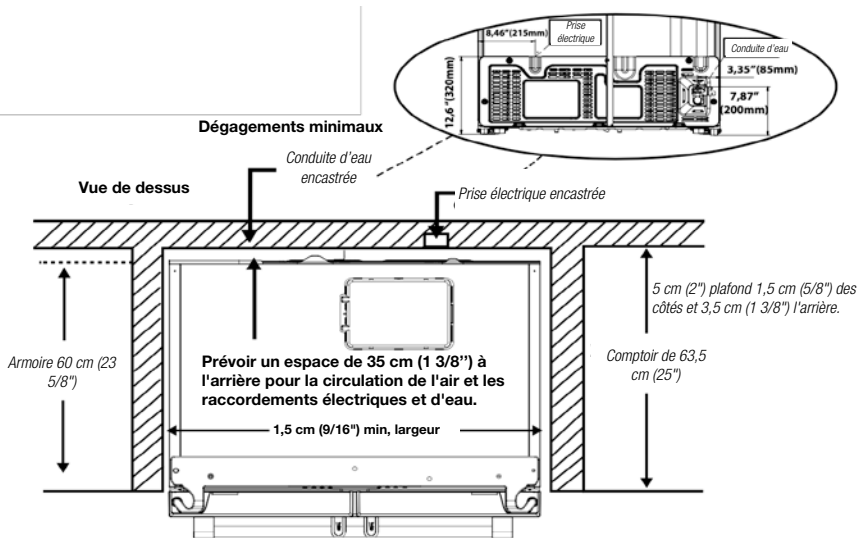
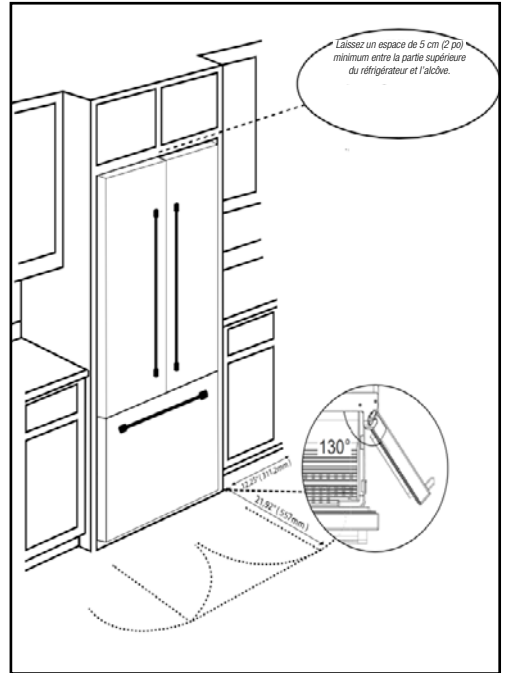
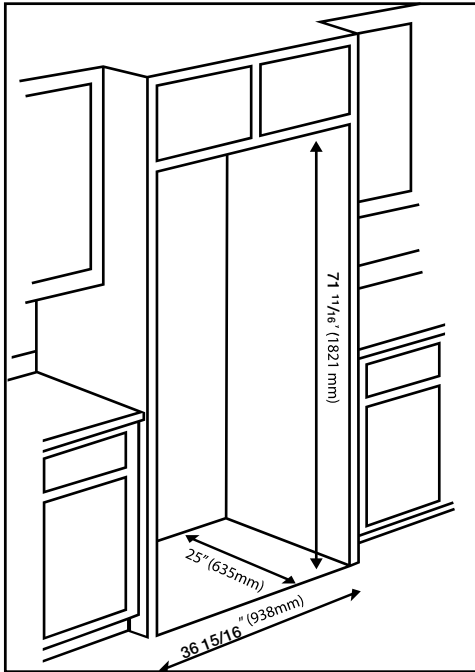
- Les enfants doivent être surveillés pour éviter qu'ils ne manipulent pas le produit.

	DANGER : Risque de blocage des enfants. Avant d'éliminer votre vieux réfrigérateur ou congélateur : <ul style="list-style-type: none">• Démontez les portes.• Laissez les étagères en place pour éviter que les enfants ne grimpent facilement à l'intérieur.
---	---

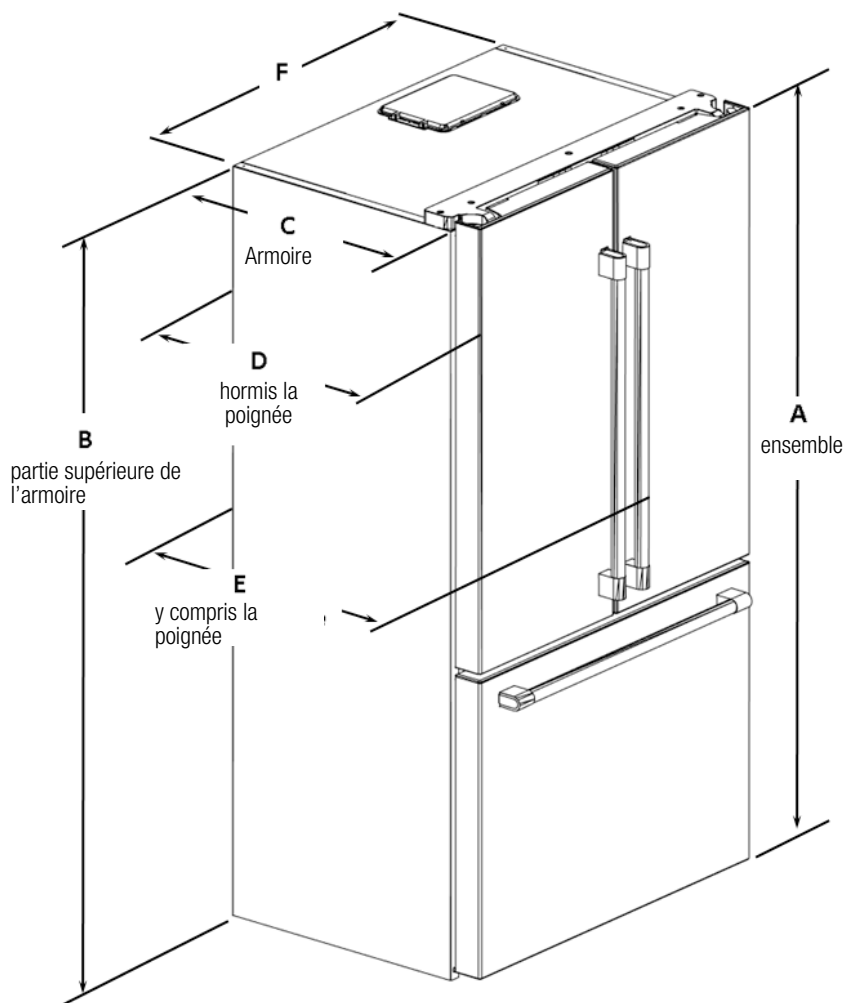
2.4 Informations sur l'emballage

- Les matériaux d'emballage de cet appareil sont fabriqués à partir de matériaux recyclables, conformément à nos réglementations nationales en matière d'environnement. Ne mettez pas les matériaux d'emballage au rebut avec les ordures ménagères et d'autres déchets. Apportez-les aux points de collecte des matériaux d'emballage désignés par les autorités locales.
- - Contactez le personnel qualifié pour l'élimination.

3 Installation

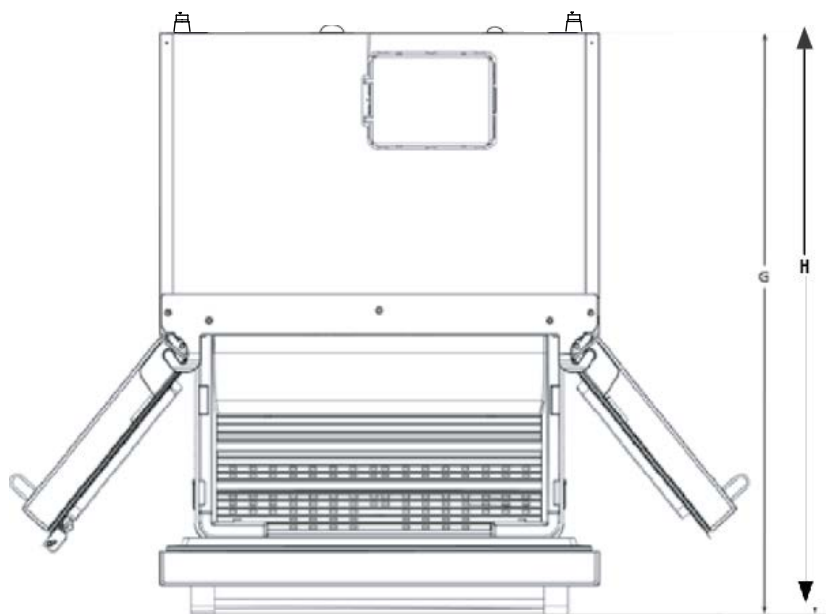


Installation



Hauteur hors-tout « A »	Hauteur-Haut de l'armoire « B »	Profondeur-ArmoireSeule « C » « O »	Profondeur-Sans Poignées « D »
17,7 cm (69 3 /4")	17,1 cm (67 5/16")	6 cm (23 5/8")	68 cm (26 13/16")
Profondeur - Avec poignées « E »	Largeur-Armoire « F »	Profondeur-Tiroir ouvert « G »	Profondeur totale - Tiroir ouvert « H »
7,4 cm (29")	9 cm (35 3/4")	11,6 cm (45 9/16")	117,3 cm (46 3/16")

Installation



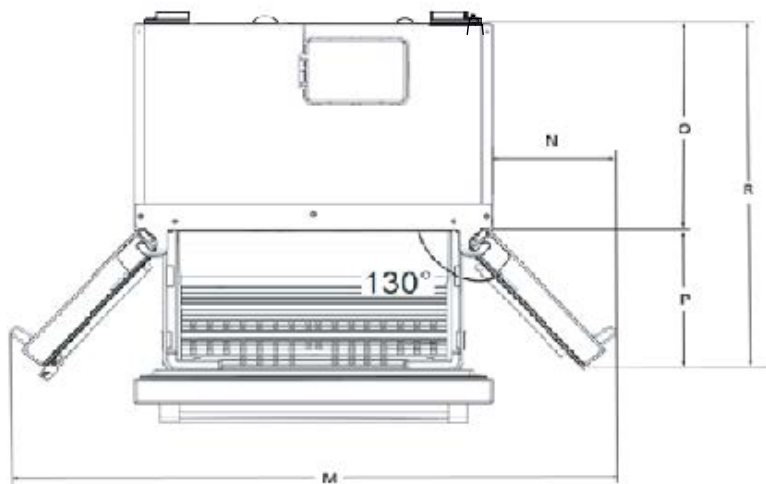
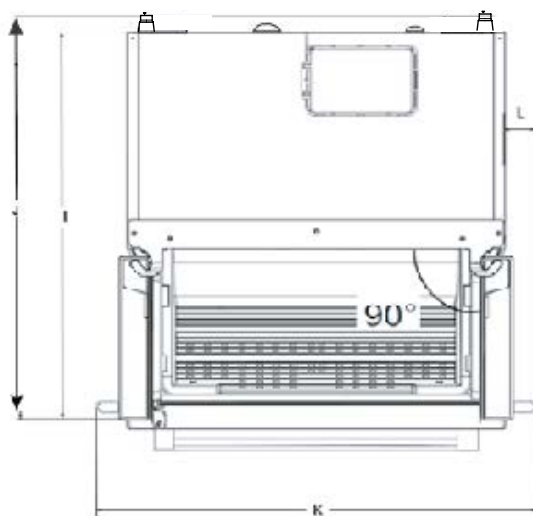
Hauteur hors-tout « A »	Hauteur-Haut de l'armoire « B »	Profondeur- ArmoireSeule « C » « O »	Profondeur-Sans Poignées « D »
17,7 cm (69 3/4")	17,1 cm (67 5/16")	6 cm (23 5/8")	68 cm (26 13/16")
Profondeur - Avec poignées « E »	Largeur-Armoire « F »	Profondeur-Tiroir ouvert « G »	Profondeur totale - Tiroir ouvert « H »
7,4 cm (29")	9 cm (35 3/4")	11,6 cm (45 9/16")	117,3 cm (46 3/16")

Dégagement minimum au niveau de la partie supérieure : 2"

Dégagement minimum au niveau des côtés : 5/8 "

Dégagement minimal à l'arrière : 1 3/8"

Installation



Profondeur - Portes ouvertes à 90° « I »	Profondeur totale- Portes ouvertes à 90° « J »	Largeur - Portes ouvertes à 90° avec poignées « K »	Largeur - Portes ouvertes à 90° - De l'armoire à la poignée en « L »
107 cm (42 1/4")	109,4 cm (43 1/16")	106 cm (41 11/16")	7,6 cm (3")
Largeur- Portes ouvertes 130°-De la Poignée à la Poignée « M »	Largeur - Portes ouvertes à 130° - De l'armoire à la poignée « N »	Profondeur-Portes ouvertes 130° « P »	Profondeur Les portes sont ouvertes à 130° « R »
153 cm (60 1/4")	31 cm (12 1/4")	39 cm (15 3/8")	99 cm (39")


3.1 Avant l'installation

- Avant de procéder à l'installation, assurez-vous que les dimensions de l'ouverture soient suffisantes pour que le produit puisse y être inséré et que les raccordements électriques et de plomberie appropriés soient présents.

Souppes de pression des conduites d'eau	psi	kPa	bar
Pression de fonctionnement maximale :	90	620	6,2
Pression maximale requise pour le dispositif de valve de limitation :	80	550	5,5

Exigences électriques	
Tension	120V AC
Fréquence	60 Hz)
Courant	15 A

- Pour l'installation du produit, adressez-vous à l'agent de service agréé le plus proche. Pour que le produit soit prêt à l'emploi, assurez-vous que l'installation électrique est appropriée avant de contacter l'Agent de service agréé. Si tel n'est pas le cas, appelez un électricien qualifié afin qu'il effectue les réglages nécessaires.
- Votre produit est équipé d'un filtre à eau interne. Le numéro de pièce du filtre est 4918450200. Vous pouvez l'utiliser lors de la commande des filtres de rechange.

	La préparation de l'emplacement ainsi que de l'installation liée à l'électricité sur le site de l'installation relève de la responsabilité du client.
	Plomberie : Le réfrigérateur ne doit être raccordé qu'à la ligne d'eau froide.
	Ne branchez pas l'appareil pendant son installation. Sinon, cela pourrait entraîner la mort ou une blessure grave !



AVERTISSEMENT : L'installation et les raccordements électriques du produit doivent être effectués par un agent de service agréé. Le fabricant ne peut être tenu responsable des dommages pouvant résulter de procédures effectuées par des personnes non autorisées.



AVERTISSEMENT : Avant l'installation, vérifiez visuellement si l'appareil ne présente pas de défauts. Si c'est le cas, ne le faites pas installer. Les produits endommagés présentent des risques pour votre sécurité.

3.2 Emplacement approprié de l'installation

- Installez l'appareil à une distance d'au moins 30 cm des sources de chaleur telles que les tables de cuisson, les fours, les radiateurs et les poêles.
5 cm (2 po) de distance des fours électriques. L'appareil ne doit pas être exposé à la lumière directe du soleil ou placé dans un endroit humide après l'installation.
- Ne placez pas le produit sur des matériaux tels que des tapis ou des moquettes.
- Posez le réfrigérateur sur un sol de surface nivelée afin d'éviter qu'il ne vacille.
- - N'installez pas le produit dans des endroits où la température est inférieure à 10 °C/50 °F.



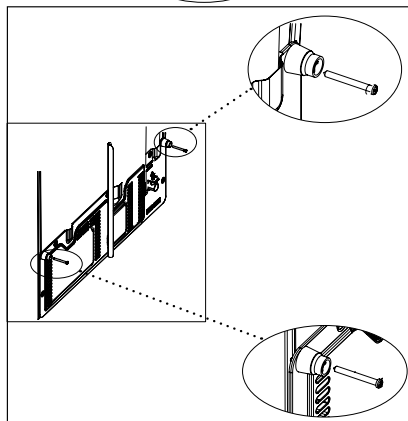
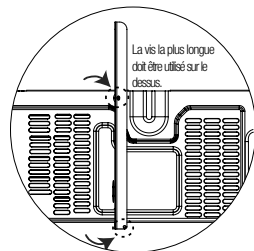
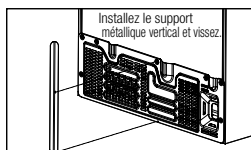
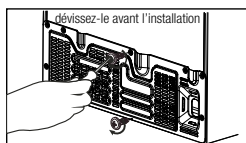
Si deux réfrigérateurs doivent être installés côte à côte, il doit y avoir un espace d'au moins 4cm (1 1/2") entre les deux.

- Veillez à ce qu'il y ait suffisamment d'espace autour de l'appareil pour que l'air puisse circuler librement.
- Pour un bon fonctionnement, il doit y avoir un espace d'au moins 3,5 cm (1 3/8") entre le réfrigérateur et le mur arrière. Pour ce faire, fixez les tampons circulaires gris, à installer sur le couvercle arrière métallique arrière du réfrigérateur. Ils sont expédiés à l'intérieur du tiroir à légumes dans le compartiment des aliments frais.

3.3 Installations encastrées

- Si le produit doit être installé dans une armoire ou dans une alcôve, assurez-vous qu'il y a une circulation d'air adéquate autour du produit pour un bon fonctionnement. Ce réfrigérateur nécessite au moins 2" du haut de l'appareil au plafond ou à l'enceinte, 5/8" de chaque côté et 1 3/8" à l'arrière.
- Pour une bonne circulation de l'air en cas d'installation dans un encastrement ou une alcôve, assurez-vous que les pièces indiquées ci-dessous sont installées sur l'appareil.

module de circulation



3.4 Raccordement électrique

- 120VAC, 60Hz, circuit dédié de 15Amp Circuit.
- Les prises GFCI offrent une protection supplémentaire, mais toute défaillance du GFCI peut entraîner la détérioration des aliments, ce qui n'est pas couvert par la garantie du fabricant.
- Le raccordement électrique doit être conforme à la réglementation nationale.
- La fiche du câble d'alimentation doit être facilement accessible après l'installation.
- Ne réalisez pas de branchements en utilisant des rallonges ou des multiprises.



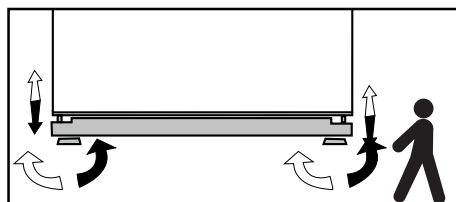
AVERTISSEMENT : Les câbles d'alimentation endommagés doivent être remplacés par des Agents de services agréés.



AVERTISSEMENT : En cas de panne, n'utilisez pas l'appareil jusqu'à ce qu'il soit réparé par un agent de service agréé ! Il existe un risque d'électrocution !

3.5 Réglage des pieds

Après avoir mis le réfrigérateur en place, nous vous recommandons d'abaisser les pieds pour fixer le produit en place. Vous pouvez également ajuster les pieds si le produit n'est pas équilibré. Tournez les pieds dans la direction souhaitée selon l'illustration ci-dessous. Le réglage des pieds peut également servir à aligner les portes.



AVERTISSEMENT : Débranchez d'abord l'appareil. L'appareil ne doit pas être branché lors du réglage des pieds. Il existe un risque d'électrocution !

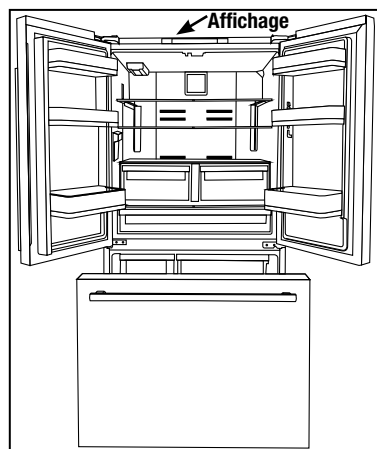
3.6 Lampe d'éclairage

N'essayez pas de réparer vous-même mais appelez l'agent de service agréé si les lampes d'éclairage DEL ne s'allument pas.

La lampe utilisée dans cet appareil n'est pas adaptée pour l'éclairage des pièces de la maison. Le but visé par cette lampe est d'aider l'utilisateur à placer les aliments dans le réfrigérateur/congélateur d'une manière sûre et confortable.

3.7 Avertissement de porte/tiroir ouvert

Un signal d'avertissement sonore retentit lorsque la porte du réfrigérateur reste ouverte pendant 1 minute. Cet avertissement est désactivé lorsque la porte est fermée ou si l'on appuie sur l'un des boutons de l'écran.



3.8 Raccordement de l'eau

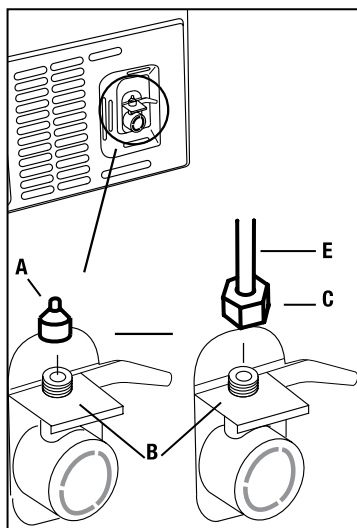
Vous devez d'abord connecter le tuyau d'eau au réfrigérateur.



AVERTISSEMENT : Le réfrigérateur et la pompe, le cas échéant, doivent être débranchés pendant le raccordement.

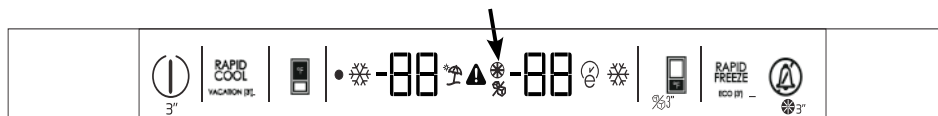
3.9 Raccordement du tuyau d'eau au réfrigérateur

1. Retirez le couvercle de la valve de dérivation (A) de la vanne d'arrivée d'eau.
2. Raccordez la conduite d'eau (C) à la valve d'entrée (B) et serrez-la à la main pour la fixer. Il n'est pas nécessaire d'utiliser des pinces, mais s'il y a une fuite, vous pouvez serrer légèrement avec une paire de pinces.

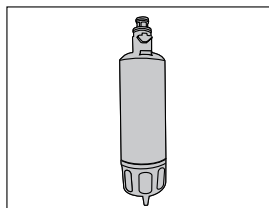


3.10 Raccorder la conduite d'eau à l'alimentation en eau

Raccordez la conduite d'eau à une vanne d'alimentation en eau. Si ce robinet est absent de votre appareil ou si vous n'en êtes pas sûr, contactez un plombier qualifié.



3.11 Installation du filtre à eau interne à eau interne



L'installation du filtre à eau interne se fait en deux étapes :

- Installer physiquement le filtre
- Effectuer des ajustements sur l'affichage.

1. Appuyez sur la touche Freezer Temp Set $\text{SET } ^\circ\text{C}/^\circ\text{F}$ et maintenez-la enfoncée pendant 3 secondes, ou jusqu'à ce que l'icône d'absence de glace apparaisse à l'écran.

2. Faites glisser le couvercle du filtre vers l'avant pour ouvrir le compartiment du filtre.

3. Inclinez le bouchon de dérivation vers le bas et tirez droit pour le retirer.

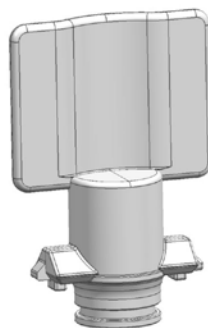
4. Insérez le filtre dans le boîtier et poussez-le en position horizontale.

5. Fermez le couvercle du filtre et remettez-le en place.

6. Appuyez à nouveau sur la touche Freezer Temp Set $\text{SET } ^\circ\text{C}/^\circ\text{F}$ pendant 3 secondes.

Vous avez installé votre filtre avec succès.

L'avertissement de fin de vie du filtre 3 apparaîtra dans environ 130 jours, vous demandant de remplacer le filtre en suivant les mêmes étapes que celles indiquées ci-dessus. Après avoir remplacé le filtre, appuyez sur la touche « Alarm Off » Alarm Off et maintenez-la enfoncée pendant 3 secondes, ou jusqu'à ce que l'avertissement de fin de vie du filtre s'éteigne à l'écran.



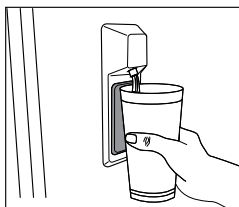
PRISE DE DÉRIVATION

Installation

3.12 Avant d'utiliser le distributeur d'eau

Les raccordements au réseau d'eau doivent être effectués par un agent de service agréé, avec les outils nécessaires.

- Le système d'eau est conçu pour fonctionner uniquement avec de l'eau. N'essayez pas de brancher des boissons telles que des boissons gazeuses ou des jus de fruits.
- Il y aura de l'air dans la conduite d'eau qui devra être purgé du système avant la première utilisation. Pour éliminer l'air dans la conduite, placez un récipient sous la buse du distributeur d'eau et appuyez sur la palette du distributeur pendant 1 à 2 minutes jusqu'à ce que seule de l'eau sorte.
- Les 10 premiers verres d'eau ne doivent pas être consommés. 12 heures environ seront nécessaires pour que l'eau distribuée se refroidisse à des températures réfrigérées.
- Attendez une seconde après avoir relâché la palette du distributeur avant de retirer votre récipient, afin de réduire le risque d'écoulement dans le plateau du distributeur.



- Videz et nettoyez le bac à glace. Les glaçons peuvent aussi se coller les uns aux autres s'ils restent trop longtemps dans le bac.

3.13 Transport du produit

1. Débranchez l'appareil avant le transport.

2. Enlevez les raccordements d'eau.

3. Fixez les étagères, les accessoires, le bac à légumes, etc. du réfrigérateur à l'aide du ruban adhésif avant de le remballer.

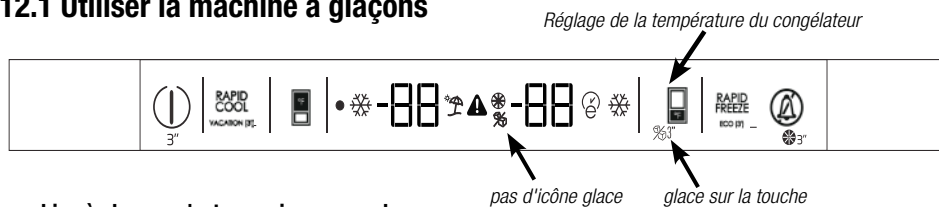


Les emballages doivent être attachés avec des rubans épais ou des bandes solides et les règles de transport imprimées sur l'emballage doivent être respectées.



AVERTISSEMENT : Les matériaux d'emballage sont dangereux pour les enfants. Gardez les matériaux d'emballage dans un endroit sécurisé, hors de la portée des enfants.

3.12.1 Utiliser la machine à glaçons



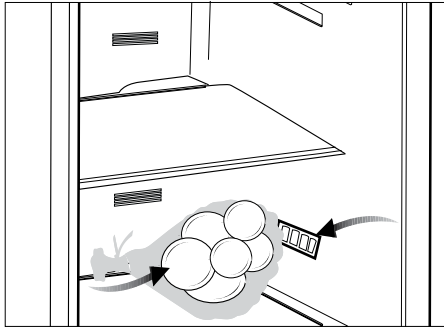
La machine à glaçons n'est pas mise en marche en usine.

- Pour mettre la machine à glaçons en marche, appuyez sur la touche Freezer Temp Set et maintenez-la enfoncée pendant 3 secondes, ou jusqu'à ce que l'icône d'absence de glaçons (☄) disparaisse de l'écran. Il faudra environ 1 à 2 jours pour que le bac à glaçons se remplisse de glaçons. Si une panne de courant survient alors que le réfrigérateur est en marche, les glaçons risquent de fondre partiellement et de se coller les uns aux autres lors de la recongélation. Si la panne de courant se prolonge, les glaçons peuvent se transformer en eau et provoquer des fuites. Si un tel problème se produit.

4 Préparation

Avant la première utilisation de votre réfrigérateur, assurez-vous que toutes les préparations sont effectuées conformément aux instructions contenues dans les sections « Consignes importantes sur la sécurité et l'environnement » et « Installation ».

- Nettoyez l'intérieur du réfrigérateur comme recommandé dans la section « Entretien et nettoyage (page 25) ». Assurez-vous que l'intérieur est sec avant d'utiliser l'appareil.
- Branchez le réfrigérateur sur la prise murale terre. Lorsque la porte est ouverte, l'éclairage intérieur s'allume.
- Laissez le réfrigérateur en marche sans y placer d'aliment, pendant 6 heures et n'ouvrez pas les portes à moins que cela soit vraiment nécessaire.
- Assurez-vous que les aliments ne touchent pas le capteur de température dans le compartiment des produits frais.

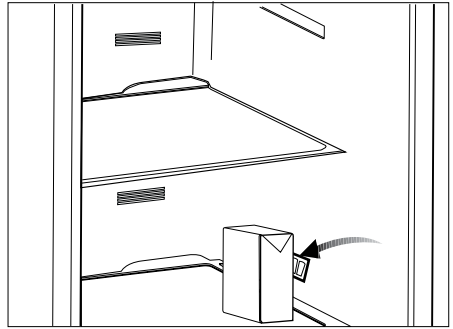


Vous entendrez un bruit au démarrage du compresseur. Les liquides et les gaz intégrés au système du réfrigérateur peuvent également faire du bruit, même lorsque le compresseur n'est pas en marche. Ceci est tout à fait normal.



Les extrémités avant du réfrigérateur peuvent chauffer. C'est normal. Ces zones doivent en principe être chaudes pour éviter tout risque de condensation.

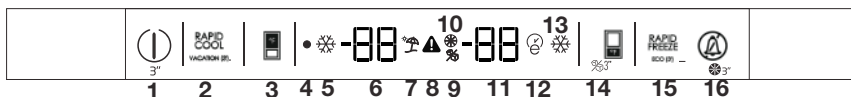
- Pour permettre au compartiment des aliments frais de conserver sa température de stockage idéale, le capteur ne doit pas être recouvert d'aliments.



5 Affichage et utilisation du produit

5.1 Panneau indicateur

Le panneau indicateur à commande tactile vous permet de régler la température et de contrôler les autres fonctions du réfrigérateur. Appuyez simplement sur le bouton approprié pour régler des fonctions.



Remarque : Les touches 2, 14, 15 et 16 ont deux fonctions. La deuxième fonction a un « b » après le numéro ci-dessous.

- 1 - Clé d'alimentation**
Appuyez sur cette touche et maintenez-la enfoncée pendant 3 secondes pour allumer et éteindre le réfrigérateur.
- 2 - Touche de refroidissement rapide**
Appuyez sur cette touche pour activer l'option de refroidissement rapide, qui abaisse la température du compartiment des aliments frais à son niveau le plus bas (33 °F/0.5 °C) pendant deux heures. Après ce laps de temps, il reviendra à la température précédemment réglée.
- 2b. Mode vacances**
Si vous maintenez la touche Quick Cool pendant trois secondes, vous activez le mode Vacances. En mode Vacances, le compartiment des aliments frais reste à 50 °F (10 °C) tandis que le congélateur maintient sa température de consigne. Vous saurez que le mode Vacances est activé grâce aux tirets de l'affichage de la température des aliments frais (6) et à l'éclairage du « parasol de plage » (7). Appuyez sur la touche Quick Cool pendant 3 secondes pour désactiver cette option.
- 3 - Touche de réglage de la température des aliments frais**
Appuyez sur cette touche pour modifier la température de la section des aliments frais entre 33 °F et 40 °F (0.5 °C et 4 °C). La température réglée s'affiche sur l'écran de température des aliments frais (6).
- 4 - Témoin lumineux de mise hors tension**
Un point rouge s'allume lorsque le réfrigérateur est branché, mais PAS allumé. Une fois le réfrigérateur allumé, le voyant rouge s'éteint.
- 5 - Indicateur de refroidissement rapide**
Une icône en forme de flocon de neige à gauche de l'affichage de la température des aliments frais vous indique que l'option de refroidissement rapide est activée.
- 6 - Affichage de la température des aliments frais**
La température réglée dans le compartiment des aliments frais s'affiche ici.
- 7 - Indicateur de mode vacances**
L'icône « parasol de plage » s'allume lorsque le mode vacances est activé. Vous verrez également des tirets dans l'affichage de la température des aliments frais.
- 8 - Avertissement de température élevée**
Le point d'exclamation rouge s'allume si la température du congélateur est trop élevée après les 72 premières heures de fonctionnement. (Voir page 19 pour plus de détails)
- 9 - Image d'arrêt de la machine à glaçons**
Les glaçons traversés par une barre oblique s'allument lorsque la machine à glaçons est éteinte.
- 10 - Icône de changement de filtre**
L'icône de réinitialisation du filtre s'allume lorsqu'il est temps de remplacer le filtre à eau. (Pour savoir comment procéder, voir page 12).
- 11 - Affichage de la température du compartiment congélateur**
La température réglée du compartiment congélateur est affichée sur cet écran.
- 12 - Icône Eco-Extra**
L'icône Eco-Extra s'allume lorsque Eco-Extra est activé. (Voir 15b pour plus d'informations sur cette option).
- 13 - Indicateur de congélation rapide**
Une icône en forme de flocon de neige à droite de l'affichage de la température du compartiment congélateur s'allume lorsque l'option de congélation rapide est activée. (Voir 15 pour des informations sur cette option).
- 14 - Touche de réglage de la température du congélateur**
Appuyez sur cette touche pour régler la température du compartiment Congélateur, entre -8 °F et 5 °F (-22 °C et -15 °C).
- 14b. Touche marche/arrêt de la machine à glaçons**
Appuyez sur la touche Freezer Temp Set pendant 3 secondes pour mettre en marche et arrêter l'appareil à glaçons.
- 15 - Touche de gel rapide**
Appuyez et maintenez la touche de congélation rapide pour activer l'option de congélation rapide, qui abaissera la température du congélateur à son niveau le plus bas (-8 °F/-22 °C) pour 24 heures. Après ce temps, il reviendra à la température précédemment réglée.
- 15b. Touche Eco-Extra**
Appuyez sur la touche Quick Freeze (gel rapide) et maintenez-la enfoncée pendant 3 secondes pour activer l'option Eco-Extra. Dans ce mode le réfrigérateur fonctionnera de la manière la plus efficace possible. Il ne restera dans ce mode que si les portes restent fermées.
- 16. Touche Alarm Off (arrêt de l'alarme)**
If the doors remain open for more than 1 minute, or if an error is detected, an alarm will sound. Si l'on appuie sur cette touche, l'alarme s'arrête.
- 16b. Réinitialisation de la minuterie de changement de filtre**
Si le voyant de changement de filtre s'allume (10), appuyez sur la touche Arrêt de l'alarme pendant 3 secondes pour réinitialiser la minuterie. Le témoin de réinitialisation du filtre s'allume après 130 jours de fonctionnement.



***En option :** Les illustrations présentées dans ce manuel d'utilisation sont schématiques et peuvent ne pas correspondre exactement à votre produit. Si les pièces accessoires ne sont pas fournies avec l'appareil que vous avez acheté, elles conviennent pour d'autres modèles.

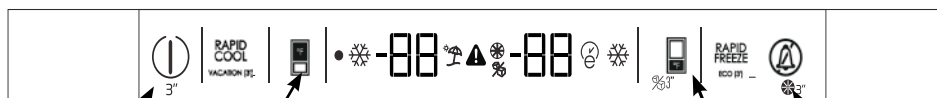
5.2 Mode Sabbat



Touche de réglage de la température des aliments frais

Appuyez sur la touche de fonction « Fresh Food Temp Set » pendant 3 secondes pour activer ou désactiver le mode Sabbat. Lorsque le mode Sabbat est activé, les boutons d'affichage, d'alarme, d'ouverture de porte ou d'éclairage ne fonctionnent pas. « SA » s'affiche à l'écran. L'algorithme de refroidissement est réglé en fonction du mode sabbat. Si l'utilisateur ne désactive pas le mode Sabbath, le réfrigérateur l'annulera automatiquement en 72 heures.

5.3 Mode Showroom



Réglage de la température des aliments frais
Puissance

Réglage de la température du congélateur
Alarme désactivée

Le mode Showroom est une option principalement utilisée dans les salles d'exposition des concessionnaires. Il permet d'allumer le produit sans faire fonctionner les ventilateurs et le système de refroidissement. Pour activer ce mode, appuyez et maintenez enfoncées les touches « Power » et « Alarm Off » jusqu'à ce que PS 0 apparaisse. Changez le 0 en 8 en appuyant sur la touche « Freezer Temperature Set ». Appuyez ensuite sur la touche « Fresh Food Temperature Set » (Réglage de la température des aliments frais) pour l'activer. Pour désactiver, appuyez à nouveau sur les touches « Power » et « Alarm Off ».

5.4 Erreur de température élevée



Icône d'erreur de température élevée

L'icône d'erreur de température élevée s'affiche lorsque la température du congélateur est trop élevée après les 72 premières heures de fonctionnement. Si la température du congélateur atteint 28°F (-2,2°C) ou plus et ne redescend pas en dessous de 16 °F (-9 °C) dans les 12 heures, l'icône d'erreur de température élevée s'allume, une alarme retentit et la température réglée et la température la plus élevée atteinte dans le congélateur alternent à l'écran. Si vous appuyez sur la touche « Alarm Off », l'alarme s'arrêtera, mais l'icône et la température clignotante continueront jusqu'à ce que le congélateur descende en dessous de 16 °F (-9 °C). Si le congélateur ne refroidit pas en dessous de 16 °F (-9 °C) dans les 3,5 heures suivantes, l'alarme sonore se déclenchera à nouveau. L'alarme sonore peut à nouveau être désactivée à l'aide de la touche « Alarm Off ». Si l'erreur persiste, il faut vérifier la fermeture et l'étanchéité des portes. Une cause fréquente de cette erreur est une panne de courant dans le circuit auquel le réfrigérateur est connecté. Si l'icône continue de revenir, il faut appeler un technicien agréé pour inspecter l'appareil.

Températures de fonctionnement

Réglage du compartiment congélateur	Réglage du compartiment réfrigérateur	Explications
5 °F/-15 °C	39 °F /4 °C	Voici le réglage normal recommandé.
4 °F/-20 °C	37 °F /3 °C	Ces réglages sont recommandés lorsque la température ambiante dépasse 86 °F /30 °C.
Congélation rapide	39 °F/4 °C	Cet indicateur est utilisé lorsque vous voulez congeler vos denrées pendant une courte période. Le réfrigérateur retourne au mode de fonctionnement précédent à la fin du processus.
5 F° /-15°C ou plus froid	Réfrigération rapide	Utilisez cette fonction lorsque vous placez une importante quantité d'aliments dans le compartiment réfrigérateur ou lorsque vous voulez refroidir rapidement vos aliments. Il est conseillé d'activer la fonction de réfrigération rapide pendant 4 à 8 heures de temps avant d'introduire les aliments dans le compartiment.

5.5 Congélation des aliments frais

- Enveloppez l'aliment ou placez-le dans un récipient couvert avant de le placer dans le réfrigérateur.
- Les aliments et les boissons chauds doivent refroidir à la température ambiante avant d'être mis au réfrigérateur.
- Les aliments que vous souhaitez surgeler doivent être frais et en bon état.
- Emballez hermétiquement les aliments pour éviter qu'ils ne s'assèchent, même s'ils seront conservés pendant une courte durée.
- Les matériaux utilisés pour l'emballage doivent résister aux déchirures, au froid, à l'humidité, aux graisses, aux acides et doivent être hermétiques. Tous les emballages doivent être complètement scellés.
- Utilisez immédiatement les aliments congelés après la décongélation et évitez de les recongeler.
- Ne congelez pas de trop grandes quantités d'aliments à la fois. La qualité des aliments est préservée de façon optimale lorsqu'ils sont entièrement congelés aussi rapidement que possible.
- L'introduction d'aliments chauds dans le compartiment congélateur entraîne le fonctionnement continu du système de refroidissement jusqu'à ce que les aliments soient entièrement congelés.

5.6 Recommandations relatives à la conservation des aliments congelés

Pour garantir le maintien de la qualité atteinte par le fabricant et le détaillant de produits alimentaires surgelés, suivez les étapes énumérées ci-dessous :



1. Mettez les paquets dans le congélateur aussi rapidement que possible après achat.
2. Assurez-vous que le contenu de l'emballage est étiqueté et daté.
3. Vérifiez si les dates « à consommer avant » et « à consommer de préférence avant » figurant sur l'emballage sont dépassées ou non.

5.7 Disposition des aliments

Balconnets du compartiment congélateur	Différents aliments congelés comme de la viande, du poisson, des crèmes glacées, des légumes, etc.
Clayettes du compartiment réfrigérateur	Aliments dans des casseroles, assiettes couvertes et récipients fermés
Balconnets de la porte du compartiment réfrigérateur	Produits ou boissons de petite taille et emballés (lait, jus de fruits ou bière, etc.)
Bac à légumes	Fruits et légumes
Tiroir à charcuterie	Produits délicats (fromage, beurre, salami, etc.)

5.8 Informations relatives à la congélation

Vous pouvez conserver la fraîcheur des aliments pendant plusieurs mois (à des températures de 5 F° / -15°C ou plus basses dans le congélateur).

	Il est conseillé de séparer les denrées en portions en fonction des besoins quotidiens de votre famille ou des repas.
	Emballer hermétiquement les aliments pour éviter qu'ils ne s'assèchent, même s'ils seront conservés pendant une courte durée.

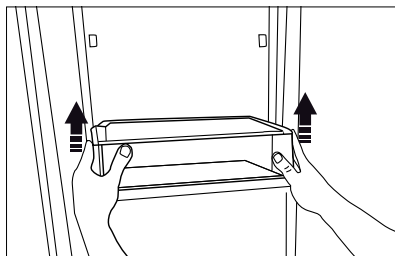
- Matériaux nécessaires à l'emballage :
- bande adhésive résistante au froid ;
- étiquette autocollante ;
- élastiques en caoutchouc ;
- Stylo

5.9 Retrait des étagères de porte

Vous pouvez retirer les étagères de la porte pour les nettoyer.

D'abord, videz les aliments qu'elles contiennent. Poussez l'étagère de votre choix vers le haut pour la retirer.

Ne retirez pas l'étagère de la porte lorsqu'elle contient des aliments.



5.10 Déplacement de la tablette de porte FlexiLift

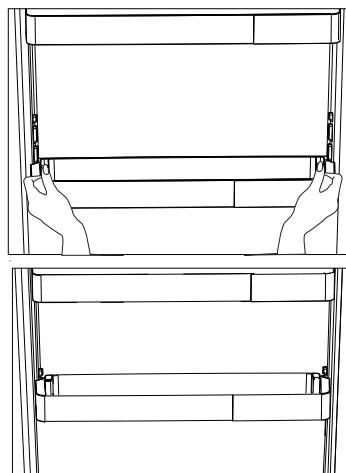
*En option

En se déplaçant, la tablette de porte FlexiLift peut être fixée dans 3 positions différentes.

Pour déplacer l'étagère, appuyez uniformément sur les boutons situés sur le côté. L'étagère sera mobile.

Déplacez l'étagère vers le haut ou vers le bas.

Lorsque la tablette est dans la position que vous souhaitez, relâchez les boutons. Le balconnet se fixe à nouveau dans la position dans laquelle vous avez relâché les boutons.



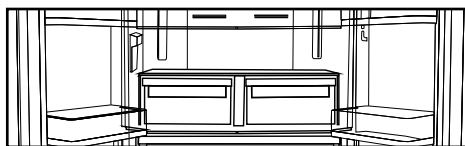
5.11 Étagères en verre

Vous pouvez retirer les étagères en verre pour les nettoyer. Faites attention lorsque vous retirez les étagères, car elles sont lourdes.

5.12 Bacs à légumes

(pour certains modèles)

Les bacs à légumes vous permettent de préparer les aliments pour la congélation. Vous pouvez également utiliser ces compartiments si vous souhaitez conserver vos aliments à une température quelque peu inférieure à celle du compartiment réfrigérateur.



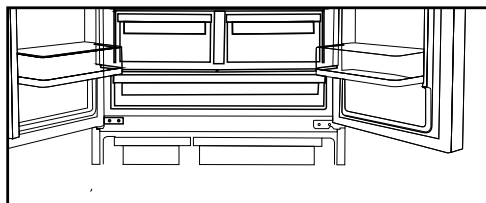
Vous pouvez augmenter le volume interne de votre réfrigérateur en enlevant le compartiment Zone fraîche souhaité.

1. Poussez le compartiment vers vous jusqu'à ce qu'il s'arrête.
2. Soulevez le compartiment d'environ 1 cm (7/16") et tirez-le vers vous pour le sortir de son logement.

5.13 Tiroir à charcuterie

Le tiroir à charcuterie est conçu avec une circulation d'air frais intensifiée autour de lui. Cela permet aux articles stockés dans le tiroir d'être généralement dans le compartiment des aliments frais à des températures inférieures aux températures moyennes des aliments frais.

Si nécessaire, retirez les étagères de la porte avant de retirer le tiroir à charcuterie.



Fonctionnement de l'appareil

5.14 Bac à humidité contrôlée

Le taux d'humidité des fruits et des légumes est maintenu sous contrôle grâce au bac à humidité contrôlée. Vous avez ainsi la garantie que vos produits restent frais longtemps.

Nous vous recommandons de placer les légumes à feuilles tels que la laitue, les épinards et les légumes sensibles à la perte d'humidité, le plus possible à l'horizontal à l'intérieur du bac à légumes, et non sur leurs racines en position verticale.

Pendant la mise en place des légumes, il faut tenir compte du poids de chacun d'entre eux. Les légumes lourds et durs doivent être placés au fond du bac à légumes et les légumes légers et mous doivent être placés sur le dessus.

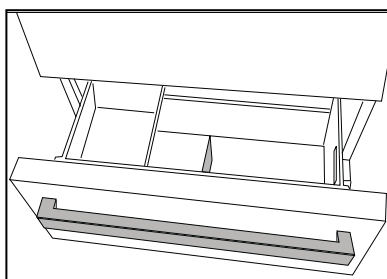
Ne laissez jamais les légumes dans leur sac dans le bac à légumes. Cela entraînera leur décomposition prématurée. Si vous souhaitez séparer les légumes, utilisez des sacs en papier perforé ou des matériaux similaires. Certains fruits comme les poires, les abricots, les pêches ou les pommes génèrent des niveaux élevés de gaz éthylène. Ne les placez pas avec d'autres fruits et légumes qui n'en ont pas, car ils se décomposeront plus vite.

5.15 Bac à glaçons

Le bac à glaçons sert à recueillir la glace produite par la machine à glaçons. Ne versez pas d'eau à l'intérieur du bac à glaçons pour obtenir des glaçons, pour ne pas l'endommager. Le bac à glaçons n'est pas destiné au stockage des aliments.

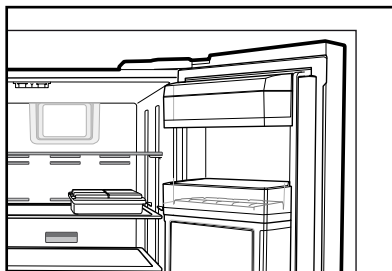


La machine à glaçons peut faire tomber des glaçons lorsque le bac à glaçons est ouvert.



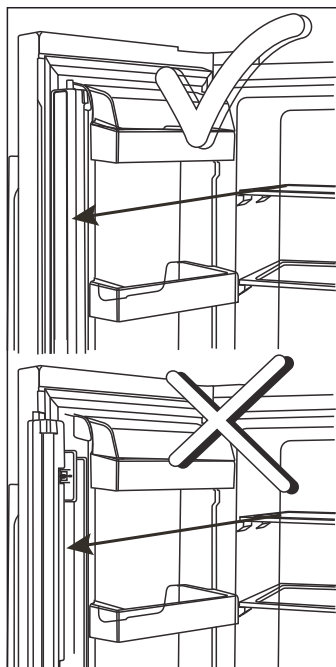
5.16 Section amuse-gueule

Stockez les aliments comme le beurre, le fromage et la margarine dans cette section.



5.17 Clapets de porte

Le clapet de porte est destiné à empêcher l'air froid à l'intérieur du réfrigérateur de s'échapper à l'extérieur. L'étanchéité est assurée lorsque les joints de la porte appuient sur la surface du clapet de la porte lorsque les portes du compartiment réfrigérateur sont fermées.



Fonctionnement de l'appareil

5.18 Lumière bleue ActiveFresh

Les bacs à légumes du réfrigérateur sont éclairés par un voyant lumineux bleu. Les aliments stockés dans les bacs à légumes poursuivent leur photosynthèse grâce à l'effet de la longueur d'onde de la lumière bleue et, ainsi, conservent leur fraîcheur et préservent leur teneur en vitamines.

5.19 IonGuard (pour certains modèles)

L'air est ionisé au moyen du système d'ionisation dans le conduit d'aération du compartiment réfrigérateur. Grâce à ce système, les bactéries et les molécules odorantes présentes dans l'air sont éliminées.

5.20 Filtre à odeurs

Le filtre anti-odeurs placé dans le conduit d'aération du compartiment réfrigérateur empêche la formation d'odeurs désagréables dans l'appareil.

6. Entretien et nettoyage

La durée de vie du produit est prolongée et les problèmes courants sont réduits, s'il est nettoyé régulièrement.



AVERTISSEMENT : Débranchez l'appareil avant le nettoyage.

- N'utilisez jamais de l'essence, du benzène ou des substances similaires à des fins de nettoyage.
- N'utilisez jamais d'outils pointus et abrasifs, de savon, de produits d'entretien ménager, de détergent et de cirage pour le nettoyage de votre appareil.
- Dissolvez une cuillère à café de bicarbonate de soude dans un demi-litre d'eau. Trempez un chiffon dans la solution et essorez-le soigneusement. Essayez l'intérieur du réfrigérateur avec ce chiffon et séchez-le soigneusement.
- Assurez-vous que l'eau ne pénètre pas dans le logement de la lampe et d'autres appareils électriques.
- Si vous ne souhaitez pas utiliser votre réfrigérateur pendant une longue période de temps, débranchez-le, retirez tous les aliments stockés à l'intérieur, nettoyez-le et laissez la porte entrouverte.
- Vérifiez régulièrement que les joints de la porte sont propres. Sinon, nettoyez-les.
- Pour retirer les étagères de la porte et de la carrosserie, retirez leur contenu.
- Sortez les étagères de la porte en les tirant vers le haut. Après le nettoyage, faites-les glisser du haut vers le bas pour les remettre en place.
- N'utilisez jamais de produits de nettoyage ou de l'eau contenant du chlore pour nettoyer les surfaces extérieures et les parties de l'appareil revêtues de chrome. Le chlore provoque la corrosion des surfaces métalliques.

6.1 Éviter les mauvaises odeurs

Les matériaux susceptibles d'émettre des odeurs ne sont pas utilisés lors de la fabrication de nos réfrigérateurs. Toutefois, le problème d'émission de mauvaises odeurs pourrait survenir en raison des conditions de conservation d'aliments inappropriées et d'un manque de nettoyage de la surface intérieure du réfrigérateur comme indiqué. Pour éviter ce problème, suivez les consignes suivantes :

- Il est important de garder votre réfrigérateur propre. Des résidus alimentaires, des taches, etc., peuvent être à l'origine des odeurs. Par conséquent, nettoyez le réfrigérateur avec du carbonate de soude dissous dans de l'eau tous les 15 jours. N'utilisez jamais de détergent ni de savon.
- Conservez les aliments dans des récipients fermés. Les micro-organismes provenant des récipients non couverts peuvent causer des odeurs désagréables.
- Ne conservez jamais les aliments dont la date limite de consommation est déjà dépassée ou les aliments déjà gâtés dans le réfrigérateur.

6.2 Protection des surfaces en plastique

Ne conservez pas les huiles liquides ou les aliments cuisinés avec de l'huile dans des récipients non fermés dans votre réfrigérateur, car ces derniers endommagent les surfaces en plastique du réfrigérateur. Lorsque l'huile se verse ou s'étale sur les surfaces en plastique, nettoyez et rincez immédiatement la partie indiquée de la surface avec de l'eau chaude.

7. Dépannage

Vérifiez la liste suivante avant de contacter le service après-vente. Cela devrait vous éviter de perdre du temps et de l'argent. Cette liste répertorie les plaintes fréquentes ne provenant pas de vices de fabrication ou des défauts de pièces. Certaines fonctionnalités mentionnées dans ce manuel peuvent ne pas exister sur votre modèle.

Le réfrigérateur ne fonctionne pas.

- La fiche électrique n'est pas correctement insérée. >>> Branchez-la en l'enfonçant complètement dans la prise.
- Le fusible branché à la prise qui alimente l'appareil ou le fusible principal est grillé. >>> Assurez-vous que l'appareil est allumé. Une seule lumière rouge sur l'écran signifie que le produit est branché mais pas allumé. Appuyez sur le bouton d'alimentation et maintenez-le enfoncé pendant trois secondes pour allumer l'appareil.
- **Condensation sur la paroi latérale du compartiment des aliments frais (MULTI ZONE, COOL, CONTROL et FLEXI ZONE).**
- La porte a été ouverte trop fréquemment >>> Évitez d'ouvrir trop fréquemment la porte de l'appareil.
- L'environnement est trop humide. >>> N'installez pas l'appareil dans des endroits humides.
- Les aliments contenant des liquides sont conservés dans des récipients non fermés. >>> Conservez ces aliments dans des emballages scellés.
- La porte de l'appareil est restée ouverte. >>> Ne laissez pas la porte de l'appareil ouverte longtemps.
- Le thermostat a été réglé à une température trop basse. >>> Réglez le thermostat à la température appropriée.

Le compresseur ne fonctionne pas.

- En cas de coupure soudaine de courant ou de débranchement intempestif, la pression du gaz dans le système de réfrigération de l'appareil n'est pas équilibrée, ce qui déclenche la fonction de conservation thermique du compresseur. L'appareil se remet en marche au bout de 6 minutes environ. Si l'appareil ne redémarre pas après cette période, veuillez contacter le service après-vente.
- Le dégivrage est actif. >>> Ce processus est normal pour un appareil à dégivrage complètement automatique. Le dégivrage se déclenche périodiquement.
- Le produit n'est pas branché. >>> Vérifiez que le cordon d'alimentation est branché.
- Le réglage de la température est incorrect. >>> Sélectionnez le réglage de température approprié.
- Absence d'énergie électrique. >>> Le produit continuera à fonctionner normalement une fois le courant rétabli.

Le bruit du réfrigérateur en fonctionnement s'accroît pendant son utilisation.

- Le rendement de l'appareil en fonctionnement peut varier en fonction des fluctuations de la température ambiante. Ceci est normal et ne constitue pas un dysfonctionnement.

Le réfrigérateur fonctionne fréquemment ou pendant de longues périodes.

- Il se peut que le nouvel appareil soit plus grand que l'ancien. Les appareils plus grands fonctionnent plus longtemps.
- La température de la pièce est peut-être trop élevée. >>> Il est normal que l'appareil fonctionne plus longtemps quand la température de la pièce est élevée.
- L'appareil vient peut-être d'être branché ou chargé de nouvelles denrées alimentaires. >>> L'appareil met plus longtemps à atteindre la température réglée s'il vient d'être branché ou récemment rempli de denrées. C'est normal.
- Il est possible que des quantités importantes d'aliments chauds aient été récemment placées dans l'appareil. >>> Ne mettez pas d'aliments chauds à l'intérieur de l'appareil.

Dépannage

- Les portes étaient ouvertes fréquemment ou sont restées longtemps ouvertes. >>> L'air chaud qui se déplace à l'intérieur permet au produit de fonctionner plus longtemps. N'ouvrez pas les portes trop fréquemment.
- La porte du congélateur ou du compartiment des aliments frais est peut-être entrouverte. >>> Vérifiez que les portes sont complètement fermées.
- L'appareil peut être réglé à une température trop basse. >>> Réglez la température à un degré supérieur et attendez que l'appareil atteigne la nouvelle température.
- Le lave-porte du compartiment des aliments frais ou du congélateur peut être sale, usé, cassé ou mal installé. >>> Nettoyez ou remplacez le joint. Si le joint du congélateur est endommagé ou arraché, l'appareil prendra plus longtemps à conserver la température actuelle.

La température du congélateur est très basse, mais celle du compartiment des aliments frais est adéquate.

- La température du compartiment congélateur est très basse. >>> Réglez la température du compartiment congélateur à un degré supérieur et vérifiez à nouveau.

La température du compartiment des aliments frais est très basse, mais la température du congélateur est adéquate.

- La température du compartiment des aliments frais est réglée à un degré très bas. >>> Réglez la température du compartiment congélateur à un degré supérieur et vérifiez à nouveau.

Les aliments conservés dans les tiroirs du compartiment des aliments frais sont congelés.

- La température du compartiment des aliments frais est réglée à un degré très bas. >>> Réglez la température du compartiment congélateur à un degré supérieur et vérifiez à nouveau.

La température du compartiment des aliments frais ou du congélateur est trop élevée.

- La température du compartiment des aliments frais est réglée à un degré très élevé. >>> Le réglage de la température du compartiment des aliments frais a un effet sur la température du compartiment du congélateur. Attendez que la température des parties concernées atteigne le niveau suffisant en modifiant la température du compartiment des aliments frais ou des compartiments de congélation.
- Les portes étaient ouvertes fréquemment ou sont restées longtemps ouvertes. >>> N'ouvrez pas les portes trop fréquemment.
- La porte peut être entrouverte. >>> Fermez complètement la porte.
- L'appareil vient peut-être d'être branché ou chargé de nouvelles denrées alimentaires. >>> Cela est normal. L'appareil met plus longtemps à atteindre la température réglée s'il vient d'être branché ou récemment rempli de denrées.
- Il est possible que des quantités importantes d'aliments chauds aient été récemment placées dans l'appareil. >>> Ne mettez pas d'aliments chauds à l'intérieur de l'appareil.

En cas de vibrations ou de bruits.

- Le sol n'est pas plat ou ferme. >>> Si le produit tremble lorsqu'il est déplacé lentement, ajustez les pieds pour équilibrer le produit. Assurez-vous également que le sol est suffisamment ferme pour supporter le produit.
- Les éléments placés sur l'appareil peuvent être à l'origine du bruit. >>> Retirez tous les éléments placés sur l'appareil.

L'appareil émet un bruit d'écoulement de liquide ou de pulvérisation, etc.

- Les principes de fonctionnement de l'appareil impliquent des écoulements de liquides et des émissions de gaz. >>> Ceci est normal et ne constitue pas un dysfonctionnement.

L'appareil émet un sifflement.

- L'appareil effectue le refroidissement à l'aide d'un ventilateur. Ceci est normal et ne constitue pas un dysfonctionnement.

Dépannage

Il y a de la condensation sur les parois internes de l'appareil.

- Un climat chaud ou humide accélère le processus de givrage et de condensation. Ceci est normal et ne constitue pas un dysfonctionnement.
- Les portes étaient ouvertes fréquemment ou sont restées longtemps ouvertes. >>> N'ouvrez pas les portes trop fréquemment ; fermez-les lorsqu'elles sont ouvertes.
- La porte peut être entrouverte. >>> Fermez complètement la porte.

Il y a de la condensation sur les parois externes ou entre les portes de l'appareil.

- Il se peut que le climat ambiant soit humide, auquel cas cela est normal. >>> La condensation se dissipera lorsque l'humidité sera réduite.

Présence d'une odeur désagréable dans l'appareil.

- L'appareil n'est pas nettoyé régulièrement. >>> Nettoyez régulièrement l'intérieur à l'aide d'une éponge, de l'eau tiède et du carbonate dissout dans l'eau.
- Certains récipients et matériaux d'emballage peuvent provoquer des odeurs. >>> Utilisez des récipients et des matériaux d'emballage exempts d'odeurs.
- Les aliments ont été placés dans des récipients non scellés. >>> Conservez les aliments dans des récipients fermés. Les micro-organismes peuvent se propager à partir de produits alimentaires non scellés et provoquer une mauvaise odeur. Retirez tous les aliments périmés ou avariés du produit.

La porte ne se ferme pas.

- Les paquets d'aliments peuvent bloquer la porte. >>> Déplacez tout ce qui bloque les portes.
- L'appareil ne se tient pas parfaitement droit sur le sol. >>> Ajustez les supports afin de remettre l'appareil en équilibre.
- Le sol n'est pas plat ou ferme. >>> Assurez-vous que le sol est à niveau et suffisamment stable pour supporter le produit.

Le bac à légumes est engorgé.

- Les aliments peuvent obstruer la partie supérieure du tiroir. >>> Reclassez les aliments dans le bac.

Si la surface de l'appareil est chaude.

- Des températures élevées peuvent être observées entre les deux portes, sur les panneaux latéraux et sur la grille arrière pendant le fonctionnement de l'appareil. Ceci est normal et ne nécessite pas de maintenance ! Faites attention lorsque vous touchez ces zones.



AVERTISSEMENT :

Si le problème persiste même après observation des instructions contenues dans cette partie, contactez votre fournisseur ou un service de maintenance agréé. N'essayez pas de réparer vous-même l'appareil.



AVERTISSEMENT :

- Cet appareil peut vous exposer à des produits chimiques, y compris le nickel (métallique) qui est connu dans l'État de la Californie pour causer le cancer.
- Pour plus d'informations, rendez-vous sur le site www.P65Warnings.ca.gov
- Remarque : Le nickel est un composant de tout l'acier inoxydable et de certains autres composants métalliques.

