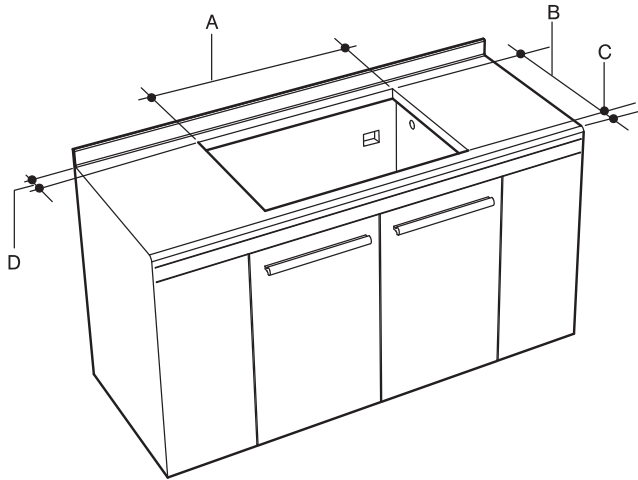


FULGOR

MILANO

Gas Cooktop 400 SERIES

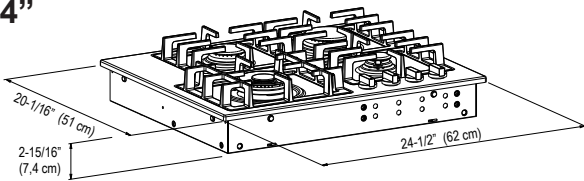
Weight & Dimensions



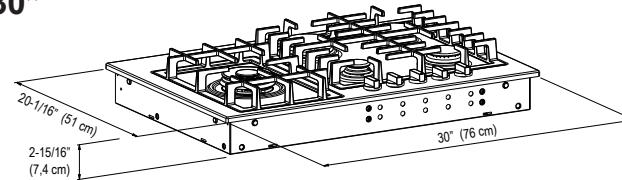
| CUT OUT WIDTH | A | B | C | D |
|---------------|--|---|---------------------|----------------------|
| 24" | MIN. 23-1/2" (59,7 cm) MAX. 23-5/8" (60,0 cm) | MIN. 19-5/16" (49,0 cm) MAX. 19-3/8" (49,3 cm) | 2-1/2" (6,35 cm) | MIN. 3" (7,62 cm) |
| 30" | MIN. 29" (73,7 cm) MAX. 29-1/8" (74,0 cm) | MIN. 19-5/16" (49,0 cm) MAX. 19-3/8" (49,3 cm) | 2-1/2" (6,35 cm) | MIN. 3" (7,62 cm) |
| 36" | MIN. 34-7/8" (88,6 cm) MAX. 35" (88,9 cm) | MIN. 19-5/16" (49,0 cm) MAX. 19-3/8" (49,3 cm) | 2-1/2" (6,35 cm) | MIN. 3" (7,62 cm) |
| 42" | MIN. 43-1/8" (109,6 cm) MAX. 43-1/4" (109,9 cm) | MIN. 15-15/16" (40,5 cm) MAX. 16-1/16" (40,8 cm) | 4" (10,16 cm) | MIN. 3" (7,62 cm) |

| PACKAGING | 24" | | 30" | | 36" | | 42" | | |
|--------------|-----------|---------|-----------|---------|-----------|---------|-----------|---------|------|
| | lb / inch | Kg / mm | lb / inch | Kg / mm | lb / inch | Kg / mm | lb / inch | Kg / mm | |
| GROSS WEIGHT | 41 lb | 18.5 Kg | 45lb | 20.5 Kg | 55 lb | 24.9 Kg | 50 lb | 22.6 Kg | |
| DIMENSION | W | 28" 3/8 | 720 | 33" 7/8 | 860 | 39" 3/4 | 1010 | 48" | 1220 |
| | D | 23" 5/8 | 600 | 23" 5/8 | 600 | 23" 5/8 | 600 | 20" 1/4 | 515 |
| | H | 8" 1/4 | 210 | 8" 1/4 | 210 | 8" 1/4 | 210 | 8" 1/4 | 210 |

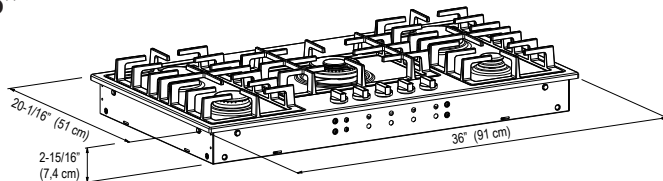
24"



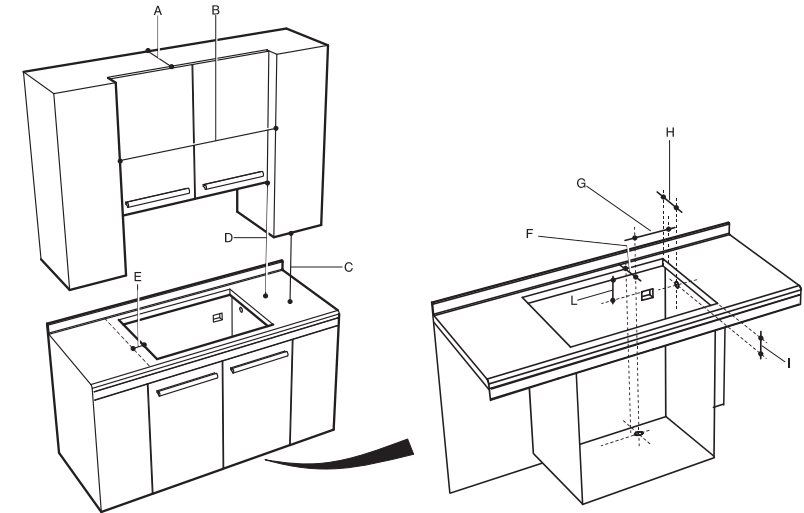
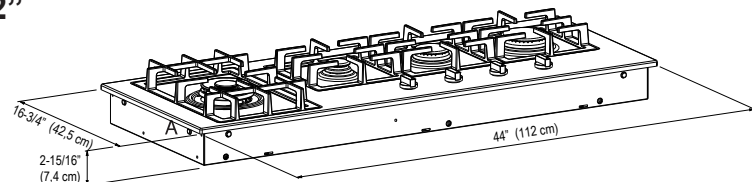
30"



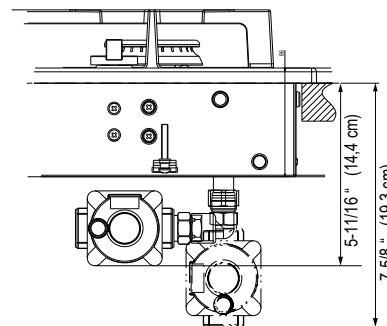
36"



42"



- A 13" (33 cm) Depth of unprotected overhead cabinets.
- B 24" (61.0 cm) MIN. (Model 24").
30" (76.2 cm) MIN. (Model 30").
36" (91.4 cm) MIN. (Model 36").
42" (106.7 cm) MIN. (Model 42").
- C 18" (47.7 cm) MIN. Height from countertop to nearest cabinet on either side of unit.
- D 30" (76.2 cm) MIN. (see Note *) Clearance from countertop to unprotected overhead surface.
- E 5" (12.7 cm) min Clearance from cut out to side wall on the left and right of the unit.
- F From the back corner of cut-out to hole center 2-9/32" (5.8 cm).
- G From the right corner of cut-out to hole center 2-19/32" (6.6 cm).
- H From the back corner of cut-out to hole center 2-9/32" (5.8 cm). Opening with oven under cooktop.
- I From the top of countertop to hole center 4-25/32" (12.2 cm). Opening with oven under cooktop.
- L Electric outlet from bottom of counter top and adjacent to the cabinet side 12" (30.5 cm).
- Hole 1-1/5" (3 cm).



*** NOTE:**

- If cabinet has a drawer, a 5-1/4" (13,35 cm) depth clearance from the top of the countertop to the top of the drawer (or other obstruction) in base cabinet is required. The drawer depth may need to be shortened to avoid interfering with the regulator.
- 24" (61 cm) min. clearance if bottom of wood or metal cabinets is protected by not less than 1/4" (0.6 cm) flame retardant millboard covered with not less than No. 28 MSG sheet steel 0.015" (0.04 cm) stainless steel, or 0.024" (0.06 cm) aluminium or 0.020" (0.05 cm) copper. 30" (76.2 cm) min. clearance between top of cooking platform and bottom of unprotected wood or metal cabinet.