

PRO COOKTOP 36"



CODE ID

36" DISTINTO GAS COOKTOP

F4PGK365S1



Aluminum Burners



1 Central Dual Burner



Heavy Duty Grates



Continuous Grate Surface



Heavy Duty Control Panel

COOKING SURFACE

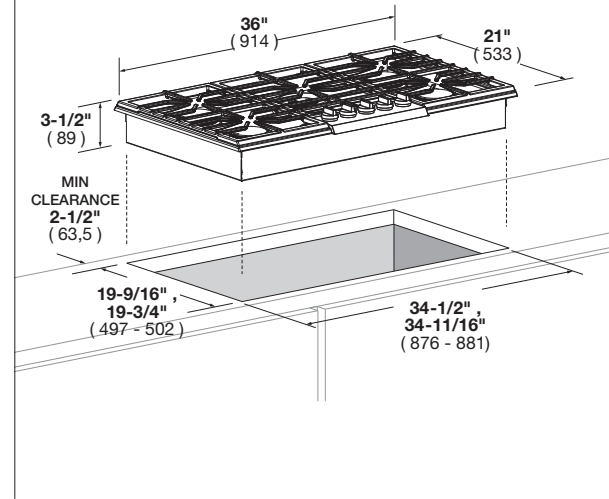
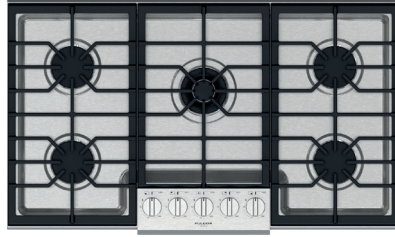
3 Heavy duty continuous cast iron grates
Heavy Gauge 304 Stainless Steel Burner Bowl
1 Aluminum Dual Flame Burner with 20.000 BTU Max (NG)
2 Aluminum Stacked Burners with 15.000 BTU Max (NG)
1 Aluminum Rapid Burner with 12.000 BTU Max (NG)
1 Aluminum Burner with 8.000 BTU Max (NG)
Heavy duty control panel
Large cooking area
Full pot stability
Natural Gas (LP Convertible)

OPTIONAL ACCESSORIES

FMWOK Wok ring
FMSIM Simmer plate

DISTINTO

36" GAS COOKTOP



CODE ID	F4PGK365S1 - 36" DISTINTO GAS COOKTOP	
Series and Finish	Distinto - Stainless Steel	
CONTROL PANEL		
Control Type	Knobs	
COOKTOP		
Type	GAS (NG or LP)	
Cooking Surface	Matte Black Enamel	
GAS COOKTOP FEATURES		
Electric Re-ignition system	•	
Flame-out sensing	•	
Dual Crown Aluminum Burner	•	
Simmer Plate	Optional	
Wok Ring (for dual burner only)	Optional	
Heavy Duty Cast Iron Grates	3	
Cooking Zones	5	
Burners types	Aluminum Dual Flame/Simmer Burner	
Power (Max/Min) (Front-L)	8000 (BTU/h) - 2340W / 1300 (BTU/h) - 382W	
Power (Max/Min) (Rear-L)	15000 (BTU/h) - 4400W / 1300 (BTU/h) - 382W	
Power (Max/Min) (Front Center)	20000 (BTU/h) - 5880W / 750 (BTU/h) - 220W	
Power (Max/Min) (Rear-R)	12000 (BTU/h) - 3520W / 2200 (BTU/h) - 640W	
Power (Max/Min) (Front-R)	15000 (BTU/h) - 4400W / 1300 (BTU/h) - 382W	
DIMENSIONS/WEIGHT		
Overall dim - Width	36"	(914 mm)
Overall dim - Height	4 - 5/8"	(118 mm)
Overall dim - Depth	21"	(533 mm)
Cut-out - Width (min - max)	34 - 1/2" , 34 - 11/16"	(876 mm) - (881 mm)
Cut-out - Height (min)	3 - 3/8"	(87 mm)
Cut-out - Depth (min - max)	19 - 9/16" , 19 - 3/4"	(497 mm) - (502 mm)
Gross Weight	73 lbs	(33.2 kg)
POWER / RATINGS (120 V, 60 HZ)		
Amps	0.1A	
Max Power	70000 (BTU/h) - 20500W	
Power Cable	Nema 5-15P	
INSTRUCTIONS FOR USE		
Use & Care Manual / Installation Manual	English / French / Spanish	