

F4 UC30 S1
F4 UC36 S1
F6 PH30 S1
F6 PH36 S1

HOOD

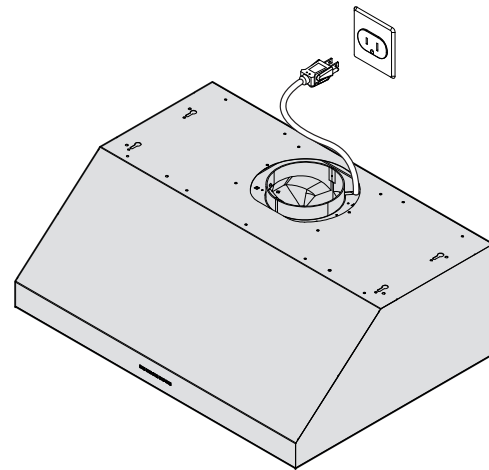
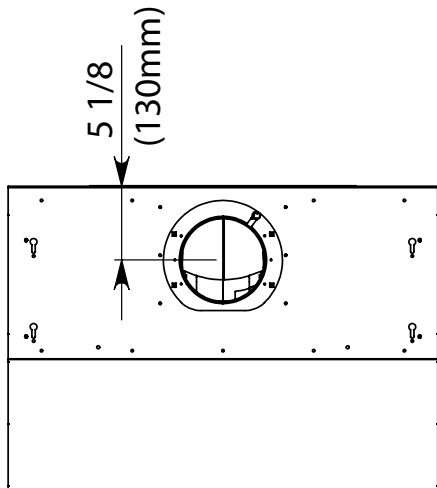
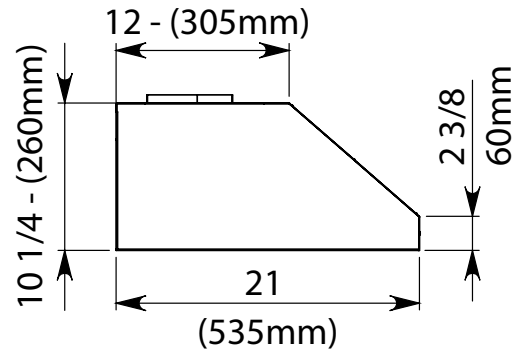
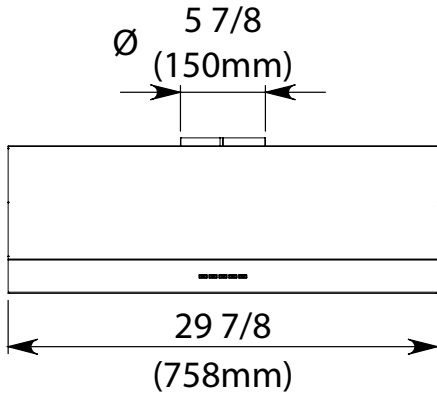
HOTTE DE CUSINE

CAMPANA DE COCINA

EN INSTRUCTIONS FOR INSTALLATION AND USE

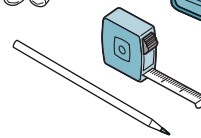
FR INSTRUCTIONS POUR L'INSTALLATION ET L'UTILISATION

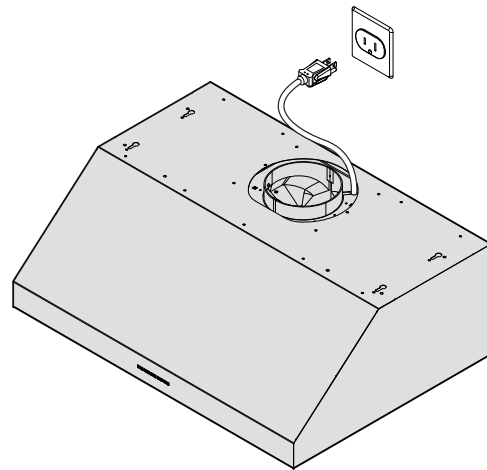
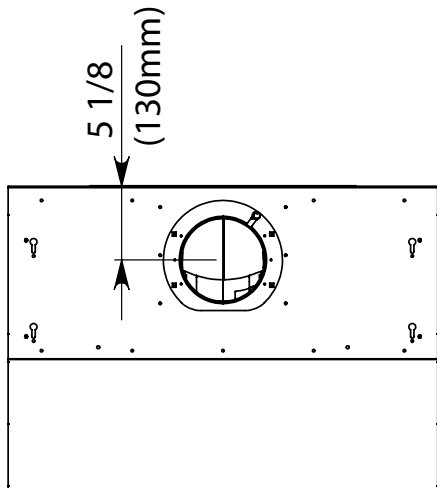
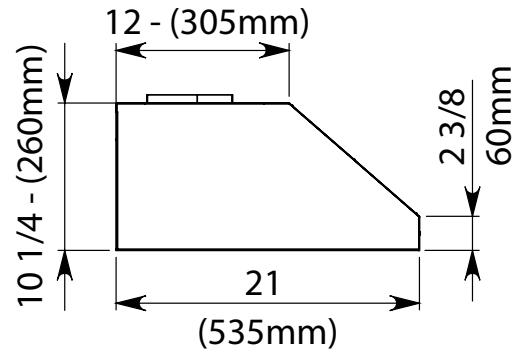
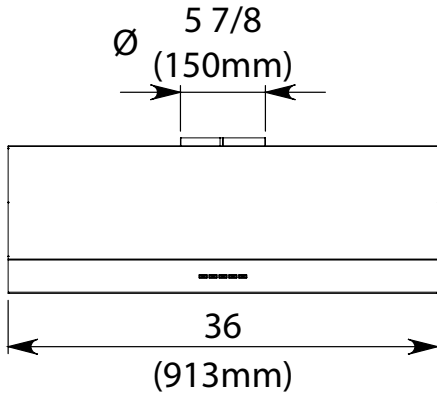
ES INSTRUCCIONES PARA LA INSTALACIÓN Y USO



EN- cable length 5,0ft (1,5m)
FR- longueur de câble 5,0ft (1,5m)
ES- longueur de câble 5,0ft (1,5m)

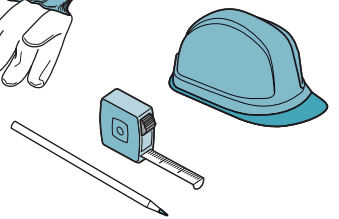
EN- tool required
FR- outil requis
ES- herramienta requerida

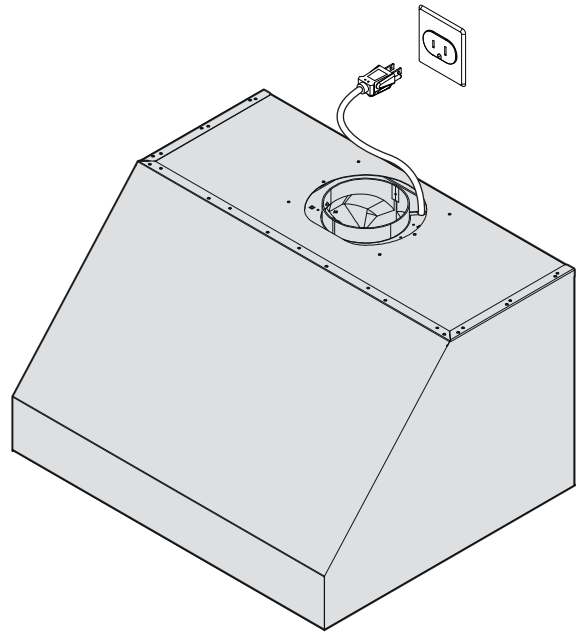
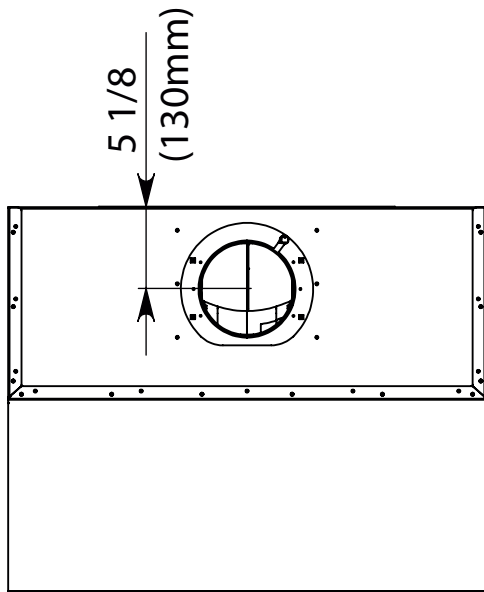
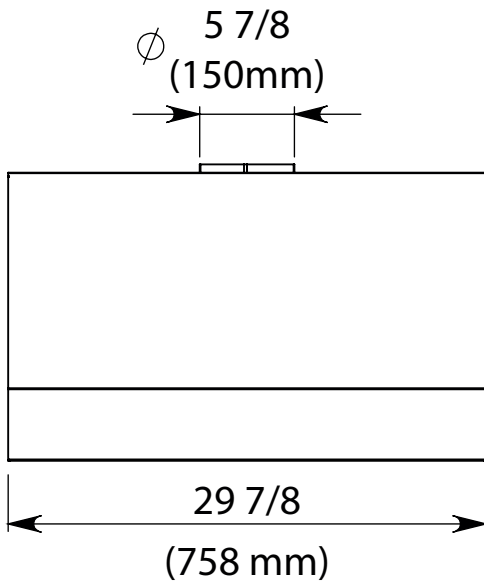




EN- cable length 5,0ft (1,5m)
FR- longueur de câble 5,0ft (1,5m)
ES- longitud de cable 5,0ft (1,5m)

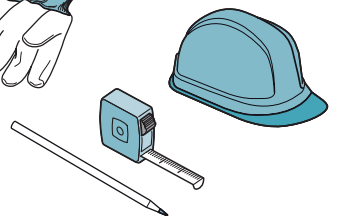
EN- tool required
FR- outil requis
ES- herramienta requerida

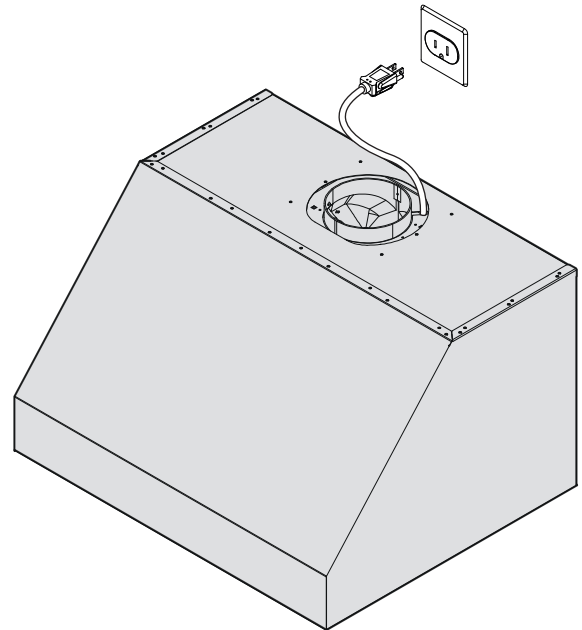
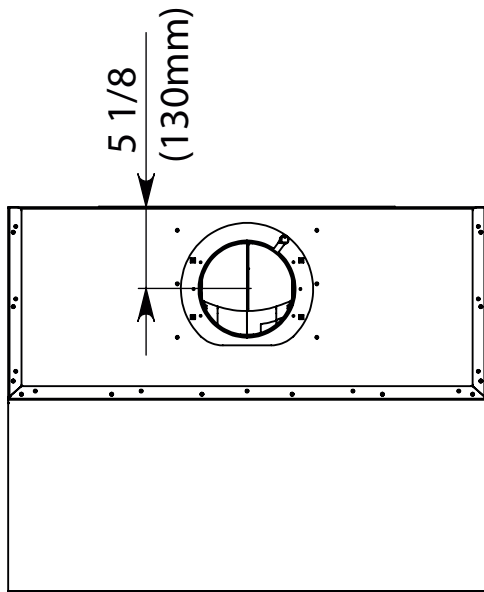
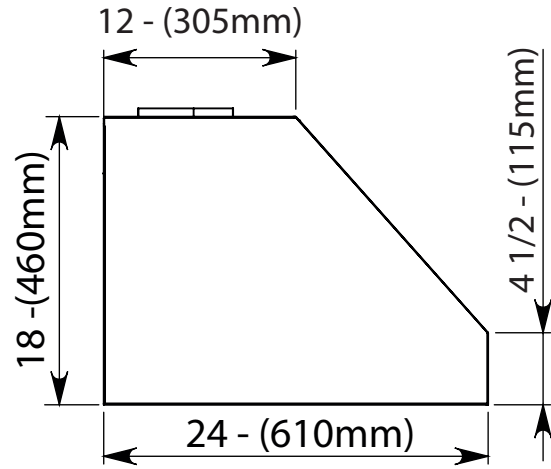
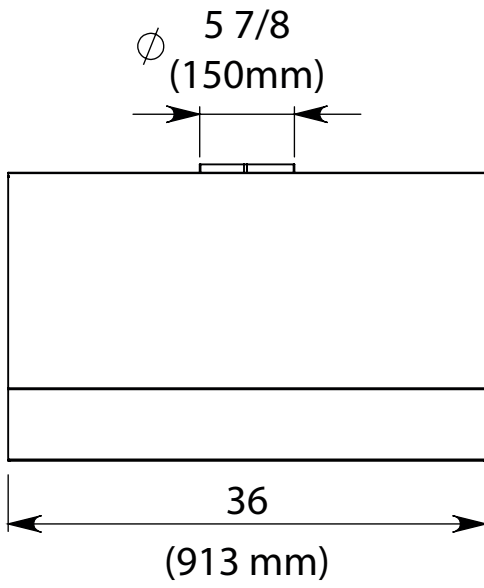




EN- cable length 5,0ft (1,5m)
FR- longueur de câble 5,0ft (1,5m)
ES- longitud de cable 5,0ft (1,5m)

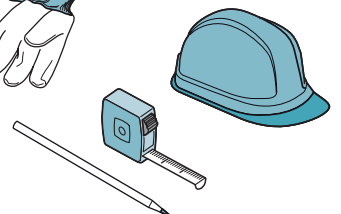
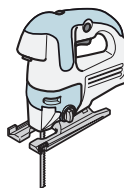
EN- tool required
FR- outil requis
ES- herramienta requerida





EN- cable length 5,0ft (1,5m)
FR- longueur de câble 5,0ft (1,5m)
ES- longitud de cable 5,0ft (1,5m)

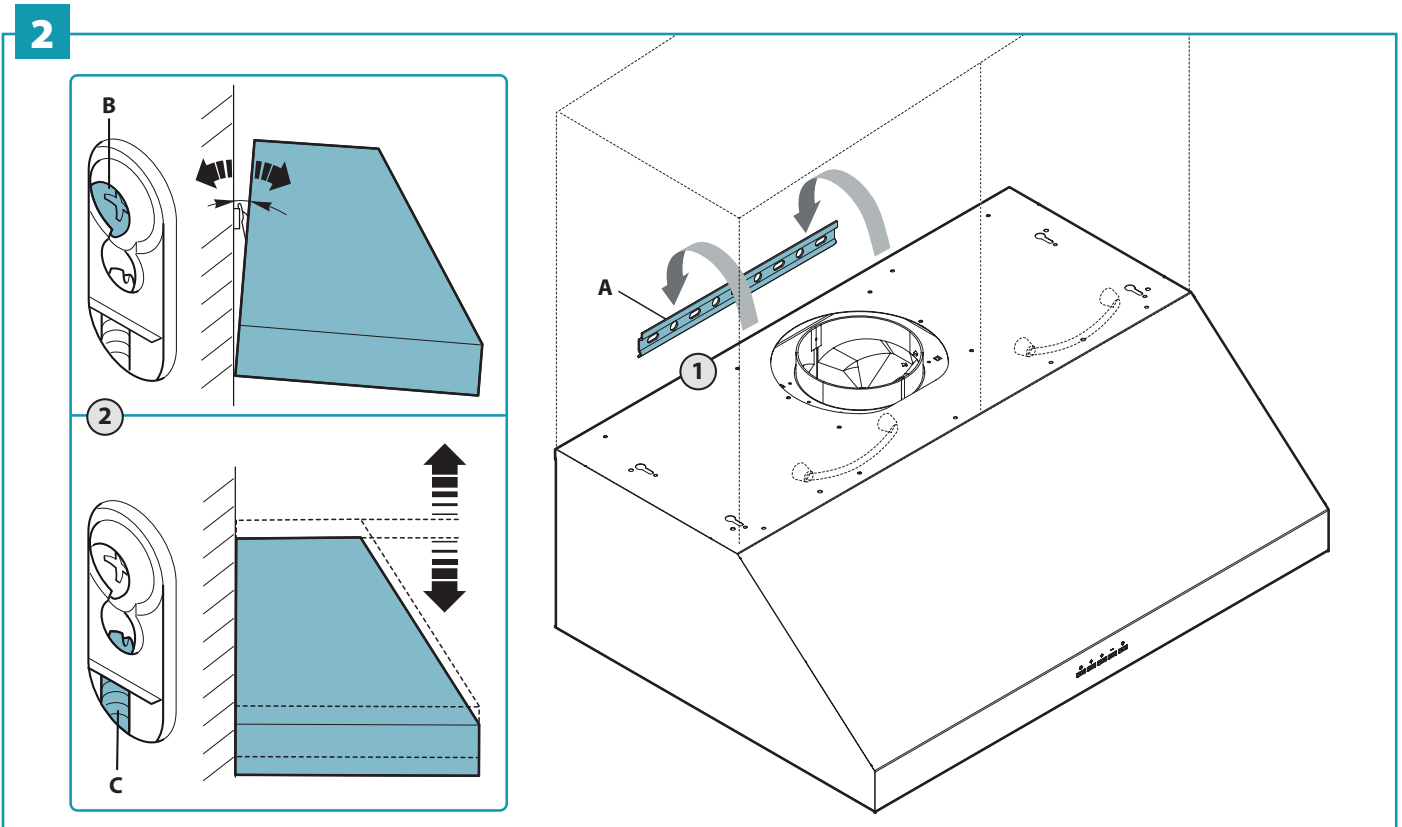
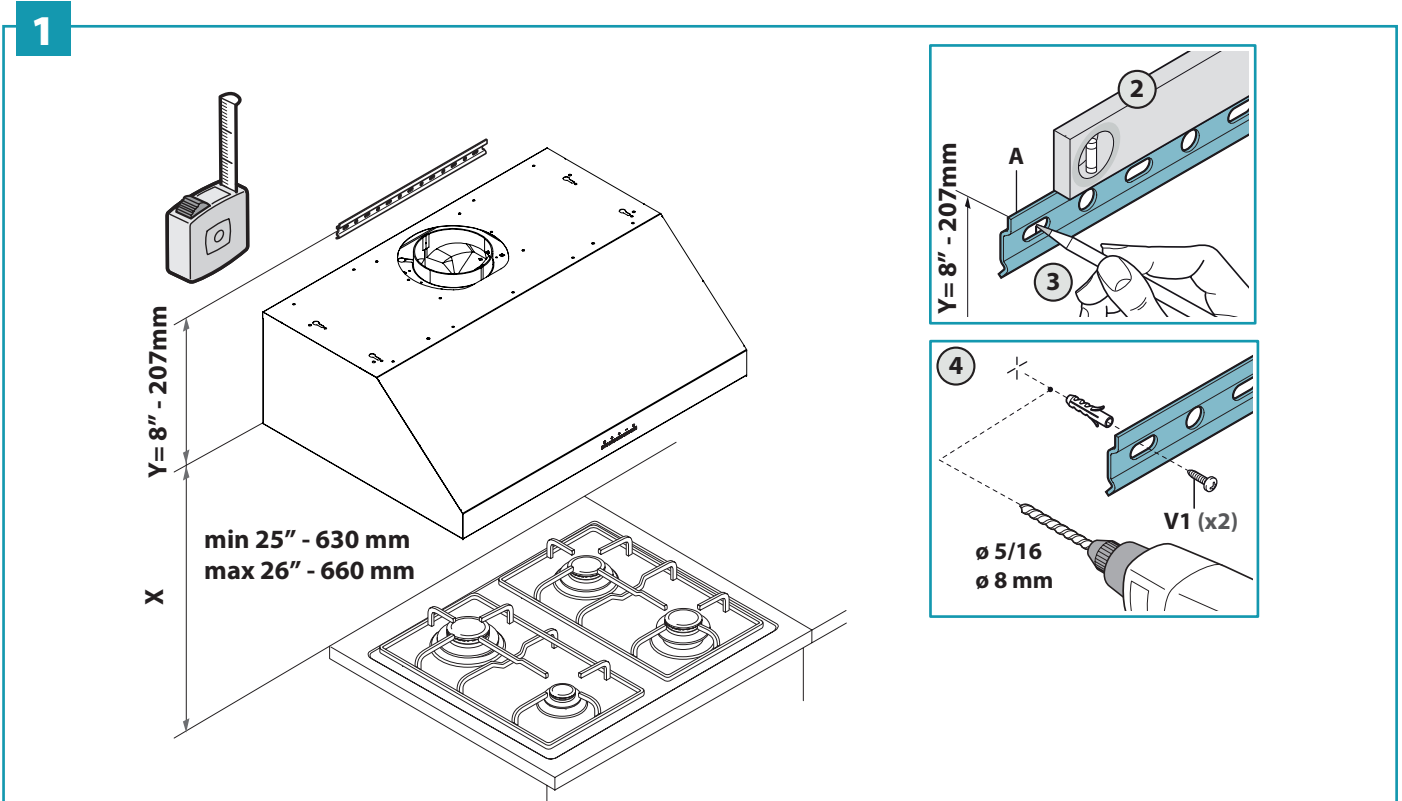
EN- tool required
FR- outil requis
ES- herramienta requerida



EN - **IMPORTANT:** Minimum hood install height requirements which are stipulated by the cooktop / range instructions supersede the requirements outlined in this manual. If missing from the cooktop manual, refer to the measures shown in figure (1).

FR - **IMPORTANT :** les spécifications de hauteur d'installation minimale de la hotte qui sont stipulées dans les instructions concernant la distance/ plaque de cuisson prennent le pas sur les exigences définies dans le présent manuel. Si elles ne figurent pas dans le manuel de la table de cuisson, référez-vous aux mesures illustrées dans la figure (1).

ES - **IMPORTANTE:** Los requisitos de altura mínimos de instalación de la cubierta que están estipulados según las instrucciones de la placa de cocción / aparatos sustituyen a los requisitos delineados en este manual. Si están ausentes en el manual de placa de cocción, consultar las medidas que aparecen en la figura (1).



EN - Suction pipe assembly (3),
position metal filters (4).

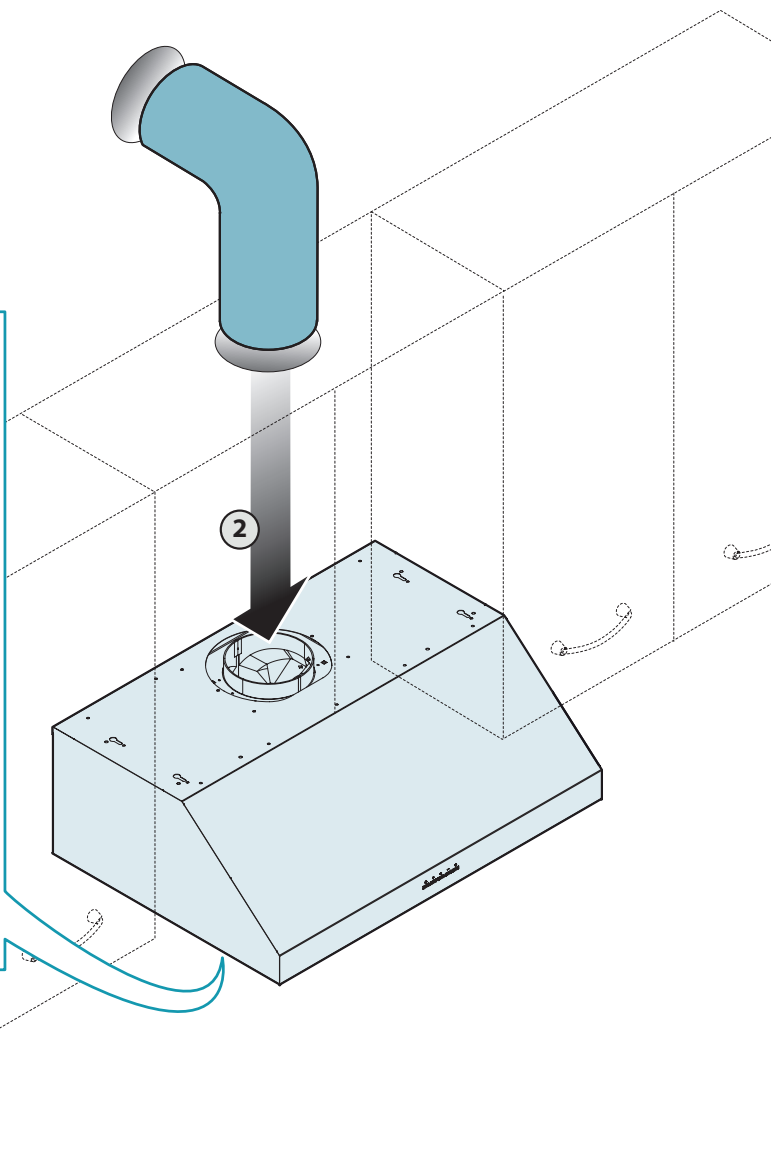
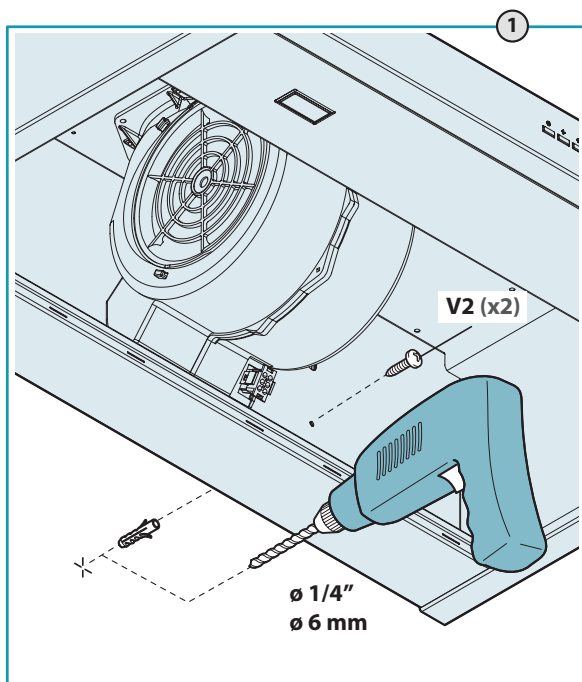
FR - Montage du tuyau d'aspiration (3),
les filtres métalliques (4).

ES - Montaje del tubo de aspiración (3),
posición los filtros metálicos (4).

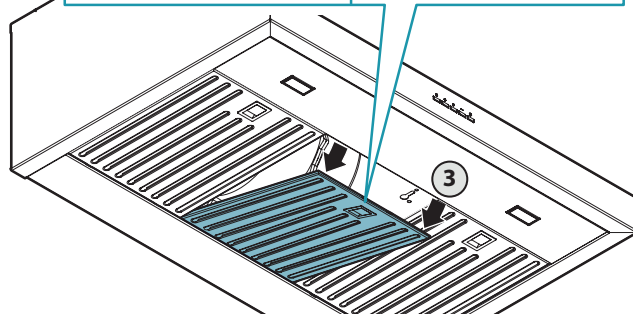
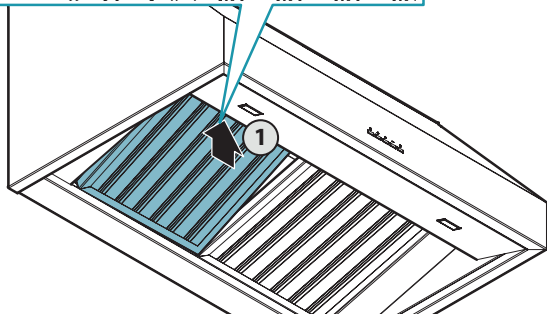
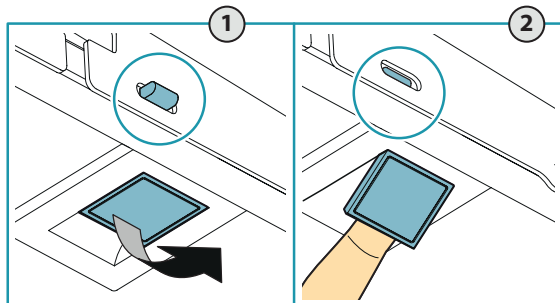
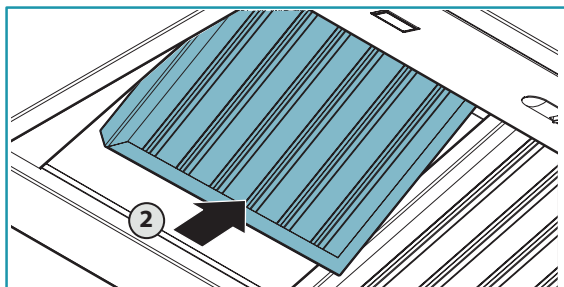
3



EN - Mandatory safety screws.
FR - Vis de sécurité obligatoires.
ES - Tornillos de seguridad obligatorios.



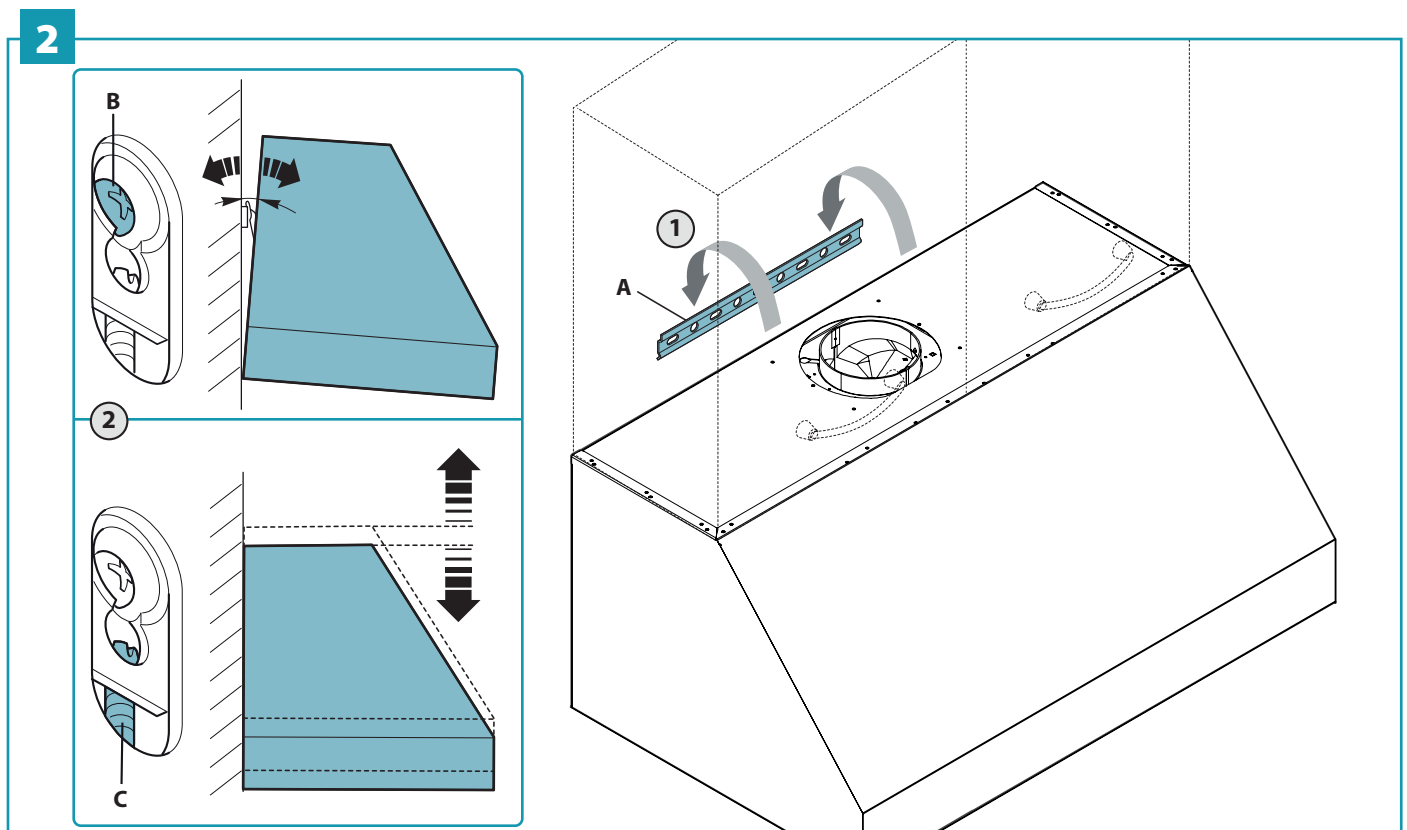
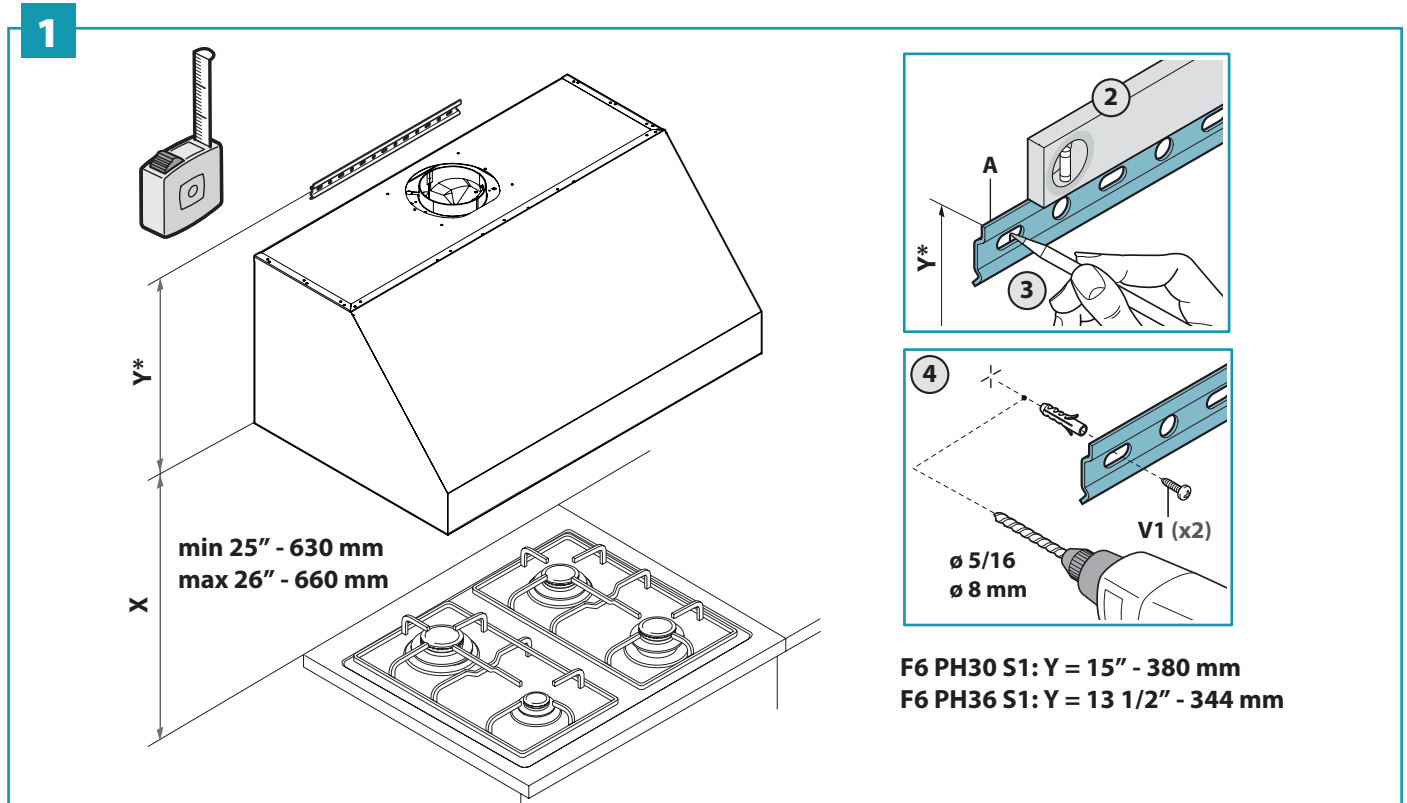
4



EN - **IMPORTANT:** Minimum hood install height requirements which are stipulated by the cooktop / range instructions supersede the requirements outlined in this manual. If missing from the cooktop manual, refer to the measures shown in figure (1).

FR - **IMPORTANT :** les spécifications de hauteur d'installation minimale de la hotte qui sont stipulées dans les instructions concernant la distance/ plaque de cuisson prennent le pas sur les exigences définies dans le présent manuel. Si elles ne figurent pas dans le manuel de la table de cuisson, référez-vous aux mesures illustrées dans la figure (1).

ES - **IMPORTANTE:** Los requisitos de altura mínimos de instalación de la cubierta que están estipulados según las instrucciones de la placa de cocción / aparatos sustituyen a los requisitos delineados en este manual. Si están ausentes en el manual de placa de cocción, consultar las medidas que aparecen en la figura (1).



EN - Suction pipe assembly (3),
position metal filters (4).

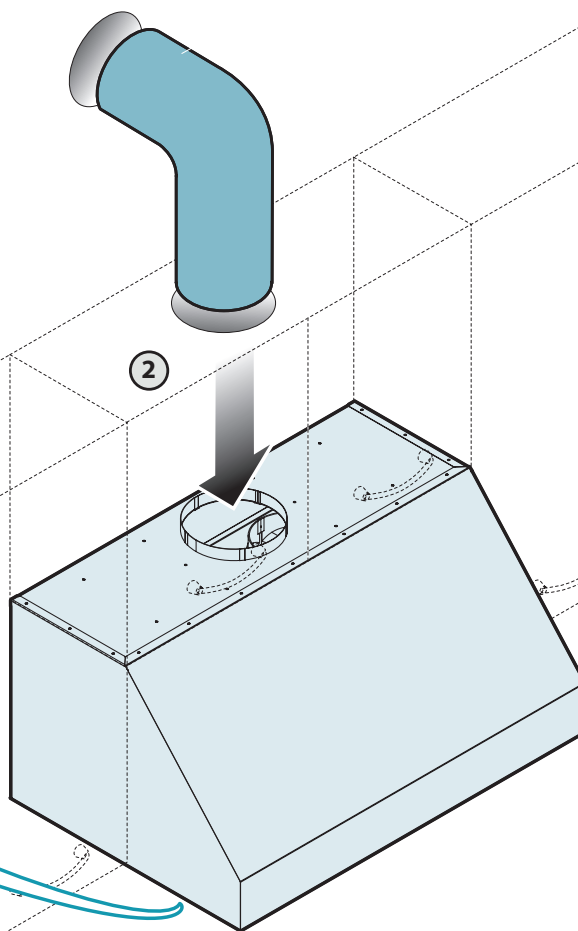
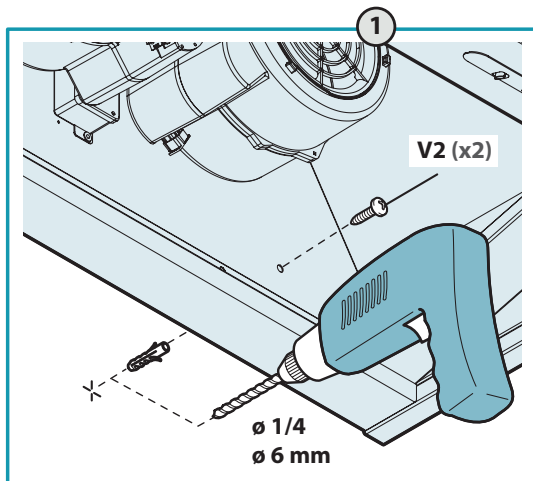
FR - Montage du tuyau d'aspiration (3),
position les filtres métalliques (4).

ES - Montaje del tubo de aspiración (3),
posición los filtros metálicos (4).

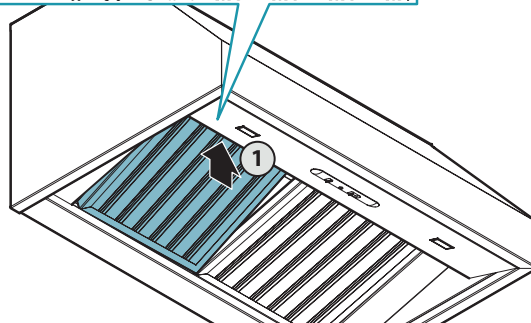
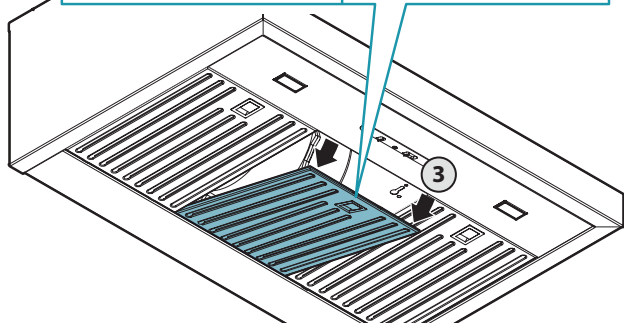
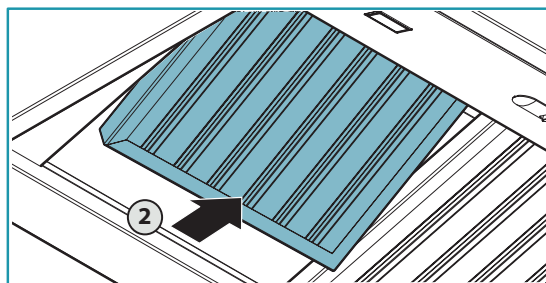
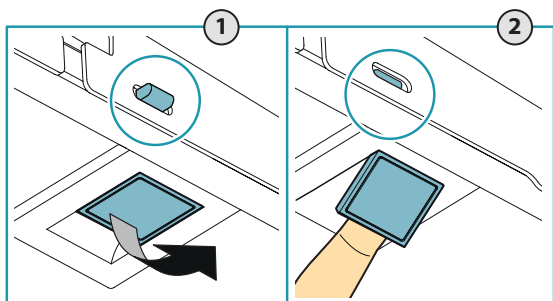
3



EN - Mandatory safety screws.
FR - Vis de sécurité obligatoires.
ES - Tornillos de seguridad obligatorios.



4



SAFETY INSTRUCTIONS AND WARNINGS



Installation operations are to be carried out by skilled and qualified installers in accordance with the instructions in this booklet and in compliance with the regulations in force.

DO NOT use the hood if the power supply cable or other components are damaged: disconnect the hood from the electrical power supply and contact the Dealer or an authorised Servicing Dealer for repairs.

Do not modify the electrical, mechanical or functional structure of the equipment.

Do not personally try to carry out repairs or replacements. Interventions carried out by incompetent and unauthorised persons can cause serious damage to the unit or physical and personal harm, not covered by the Manufacturer's warranty.

WARNINGS FOR THE INSTALLER

TECHNICAL SAFETY



Before installing the hood, check the integrity and function of each part. Should anomalies be noted, do not proceed with installation and contact the Dealer.

Do NOT install the hood if an aesthetic (or cosmetic) defect has been detected. Put it back into its original package and contact the dealer.

No claim can be made for aesthetic (or cosmetic) defects once it has been installed.

During installation, always use personal protective equipment (e.g.: Safety shoes) and adopt prudent and proper conduct.

The installation kit (screws and plugs) supplied with the hood is only to be used on masonry walls: in case of installation on walls of a different material, assess other installation options keeping in mind the type of wall surface and the weight of the hood (indicated on spec sheets at the beginning of this manual).

Keep in mind that installations with different types of fastening systems from those supplied, or which are not compliant, can cause electrical and mechanical seal danger.

Do not install the hood outdoors and do not expose it to atmospheric elements (rain, wind, etc.).

ELECTRICAL SAFETY



The electrical system to which the hood is to be connected must be in accordance with local standards and supplied with earthed connection in compliance with safety regulations in the country of use. It must also comply with local standards regarding radio antistatic properties.

Before installing the hood, check that the electrical mains power supply corresponds with what is reported on the identification plate located inside the hood.

The socket used to connect the installed equipment to the electrical power supply must be within reach: otherwise, install a mains switch to disconnect the hood when required.

Any changes to the electrical system must be carried out by a qualified electrician.

The maximum length of the flue fastening screws (supplied by the manufacturer) must be 13 mm. Use of non-compliant screws with these instructions can lead to danger of an electrical nature.

Do not try to solve the problem yourself in the event of equipment malfunction, but contact the Dealer or an authorised Servicing Department for repairs.



When installing the hood, disconnect the equipment by removing the plug or switching off the main switch.

FUMES DISCHARGE SAFETY



Do not connect the equipment to discharge pipes of fumes produced from combustion (for example boilers, fireplaces, etc.).

Before installing the hood, ensure that all standards in force regarding discharge of air out of the room have been complied with.

USER WARNINGS



These warnings have been drawn up for your personal safety and those of others. You are therefore kindly asked to read the booklet carefully in its entirety before using the or cleaning the equipment.

The Manufacturer declines all responsibility for any damage caused directly, or indirectly, to persons, things and pets as a consequence of failing to comply with the safety warnings indicated in this booklet.

It is imperative that this instructions booklet is kept together with the equipment for any future consultation.

If the equipment is sold or transferred to another person, make sure that the booklet is also supplied so that the new user can be made aware of the hood's operation and relative warnings.

After the stainless steel hood has been installed, it will need to be cleaned to remove any residues remaining from the protective coating as well as any grease and oil stains which, if not removed, can cause irreversible damage to the hood surface. To properly clean the unit, the manufacturer recommends using the supplied moist wipes, which are also available sold separately.

Insist on original spare parts.

INTENDED USE

The equipment is solely intended to be used to extract fumes generated from cooking food in non-professional domestic kitchens: any other use is improper. Improper use can cause damage to persons, things, pets and exempts the Manufacturer from any liability.

The equipment can be used by children over the age of 8 and by persons with reduced physical, sensory and mental abilities, or with no experience or knowledge, as long as they do so under supervision or after having received relative instructions regarding safe use of the equipment and understanding of the dangers connected to it.

Children are not to play with the equipment. Cleaning and maintenance by the user must not be carried out by children without supervision.

USE AND CLEANING WARNINGS



Before cleaning or carrying out maintenance operations, disconnect the equipment by removing the plug or switching off the main switch.

Do not use the hood with wet hands or bare feet.

Always check that all electrical parts (lights, extractor fan) are off when the equipment is not being used.

The maximum overall weight of any objects placed or hung (if applicable) on the hood must not exceed 3lb 5oz (1.5 Kg).

Always supervise the cooking process during the use of deep-fryers: Overheated oil can catch fire.

Do not leave open, unattended flames under the hood.

Do not prepare food over an open flame under the hood.

Never use the hood without the metal anti-grease filters: in this case, grease and dirt will deposit in the equipment and compromise its operation.

Accessible parts of the hood can be hot when used at the same time as the cooking appliances.

Do not carry out any cleaning operations when parts of the hood are still hot.

There can be a risk of fire if cleaning is not carried out according to the instructions and products indicated in this booklet.

Disconnect the main switch when the equipment is not used for long periods of time.



If other appliances that use gas or other fuels are being used at the same time (boiler, stove, fireplaces, etc.), make sure the room where the fumes are discharged is well-ventilated, in compliance with the local regulations.

INSTALLATION

Intended only for qualified personnel



Before installing the hood, carefully read the section 'SAFETY INSTRUCTIONS AND WARNINGS'.

TECHNICAL FEATURES

The technical specifications are exhibited on the labels located inside the hood.

POSITIONING


The minimum distance between the highest part of the cooking equipment and the lowest part of the hood is indicated in the installation instructions.

Should the instructions for the gas cooker specify a greater distance, this must be taken into consideration.

Do not install the hood outdoors and do not expose it to outdoor environment (rain, wind, etc.).

ELECTRICAL CONNECTION

(Intended only for qualified personnel)

-  **Disconnect the equipment from electrical mains power supply before carrying out any operations on the hood.**
- Ensure that the wires inside the hood are not disconnected or cut: in the event of damage, contact your nearest Servicing Department.**

Refer to qualified personnel for electrical connections.

Connection must be carried out in compliance with the provisions of law in force.

Before connecting the hood to the electrical mains power supply, check that:

- voltage supply corresponds with what is reported on the data plate located inside the hood;
- the electrical system is compliant and can withstand the load (see the technical specifications located inside the hood);
- the power supply plug and cable do not come into contact with temperatures exceeding 158°F (70 °C);
- the power supply system is effectively and properly connected to earth in compliance with regulations in force;
- the socket used to connect the hood is within reach.

In case of:

- devices fitted with cables without a plug: the type of plug to use is a "standardised" one. The wires must be connected as follows: yellow-green for grounding, blue for neutral and brown for the live. The plug must be connected to an adequate safety socket.
- fixed equipment not provided with a power supply cable and plug, or any other device that ensures disconnection from the electrical mains, with an opening gap of the contacts that enables total disconnection in overvoltage category III conditions. Said disconnection devices must be provided in the mains power supply in compliance with installation regulations.

The cable must not be cut off by the switch.

The Manufacturer declines all responsibility for failure to comply with the safety regulations.

FUMES DISCHARGE

EXTERNAL EXHAUST HOOD (SUCTION)




In this version the fumes and vapours are discharged outside through the exhaust pipe. To this end, the hood outlet fitting must be connected via a pipe, to an external outlet.

The outlet pipe must have:

- a diameter not less than that of the hood fitting.
 - a slight slope downwards (drop) in the horizontal sections to prevent condensation from flowing back into the motor.
 - the minimum required number of bends.
 - the minimum required length to avoid vibrations and reduce the suction performance of the hood.
- You are required to insulate the pipes if it passes through cold environments. In the presence of motors with 800m³/h or higher, a check valve is present to prevent external air flowing back.

ASSEMBLY INSTRUCTIONS

Intended only for qualified personnel

-  **The hood can be installed in various configurations. The generic assembly steps apply to all installations; for each case, follow the specific steps provided for the required installation.**

OPERATION

WHEN TO TURN ON THE HOOD?

Switch on the hood at least one minute before starting to cook to direct fumes and vapours towards the suction surface.

After cooking, leave the hood operating until complete extraction of all vapours and odours. By means of the Timer function, it is possible to set auto switch-off function which will allow the hood to turn off automatically after 15 minutes of operation.

WHICH SPEED IS TO BE SELECTED?

1st speed: maintains the circulation of clean air with low electricity consumption.

2nd speed: normal conditions of use.

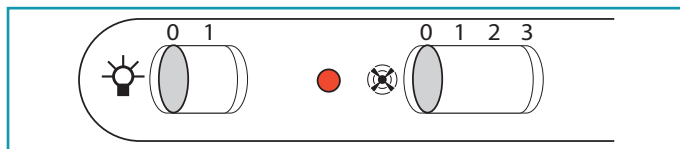
3rd speed: presence of strong odours and vapours.



WHEN SHOULD THE FILTERS BE WASHED OR REPLACED?

The metal filters must be cleaned every 30 hours of operation.

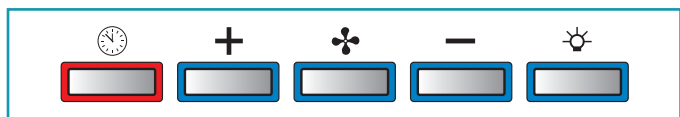
For further details refer to the "MAINTENANCE" section.



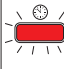
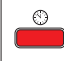
USE OF SLIDER

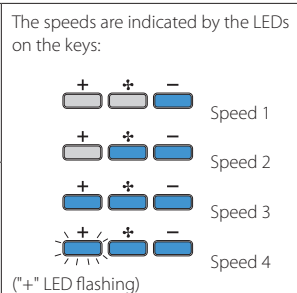


LIGHT SWITCH 	
0	By placing the slider in position 0, the hood light is off
1	By placing the slider in position 1, the hood light is on
MOTOR SWITCH 	
0	By placing the slider in position 0, the hood motor is off
1	By placing the slider in position 1, the hood motor is set at minimum speed
2	By placing the slider in position 2, the motor is set at medium speed
3	By placing the slider in position 3, the motor is set at high speed
The motor activation is signalled by the switching on of the red LED on the slider	

ELECTRONIC PUSHBUTTON PANEL



	Motor ON/OFF Upon start-up, the speed is that stored at the previous operation.
+	Increase speed from 1 to 4 Speed 4 is only active for a few minutes, then speed 3 activates.
-	Reduce speed from 4 to 1
	Light on/off
	TIMER (red LED flashing) Auto switch-off after 15 min. The function deactivates (red LED off) if: - The TIMER key (🕒) is pressed again. - The ON/OFF key (🌀) is pressed.
	FILTER ALARM (red LED steady on with 🌀 off) Anti-grease filter maintenance after approximately 30 hours of operation. Press (🕒) the meter for 3 seconds to reset.



MAINTENANCE



Before cleaning or carrying out maintenance operations, disconnect the equipment by removing the plug or switching off the main switch. Do not use detergents containing abrasive, acidic or corrosive substances or abrasive cloths.

Regular maintenance guarantees proper operation and performance over time. Special attention is to be paid to the **metal anti-grease filters**: frequent cleaning of the filters and their supports ensures that no flammable grease is accumulated.

CLEANING OF EXTERNAL SURFACES

You are advised to clean the external surfaces of the hood **at least once every 15 days** to prevent oily substances and grease from sticking to them. To clean the brushed stainless steel hood, the Manufacturer recommends using "Magic Steel" wipes. Alternatively **and for all the other types of surfaces**, it can be cleaned using a damp cloth, slightly moistened with mild, liquid detergent or denatured alcohol. Complete cleaning by rinsing well and drying with soft cloths.



Do not use too much moisture or water around the push button control panel and lighting devices in order to prevent humidity from reaching electronic parts.

The glass panels can only be cleaned with specific, non-corrosive or non-abrasive detergents using a soft cloth. The Manufacturer declines all responsibility for failure to comply with these instructions.

CLEANING OF INTERNAL SURFACES



Do not clean electrical parts, or parts related to the motor inside the hood, with liquids or solvents.

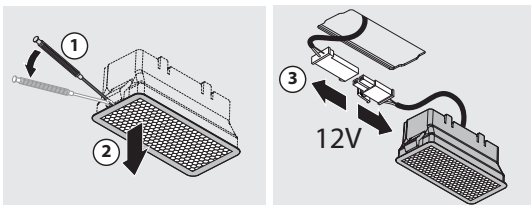
For the internal metal parts, see the previous paragraph.

METAL ANTI-GREASE FILTERS

It is advised to **frequently** wash the metal filters (**at least once a month**) leaving them to soak in boiling water and cleaning solution for 1 hour, taking care not to bend them. Do not use corrosive, acid or alkaline detergents. Rinse them well and wait for them to be completely dry before reassembling them. Washing in a dishwasher is permitted, however, it may cause the filter material to darken: to reduce the possibility of this problem from happening, use low-temperature washes (131°F / 55°C max.). To extract and insert the metal anti-grease filters see the assembly instructions.

LIGHTING

The range hood is equipped with high efficiency, low consumption LED spotlights with an extremely long life-span under normal use conditions. Should the LED spotlight need to be replaced, proceed as shown in the figure.

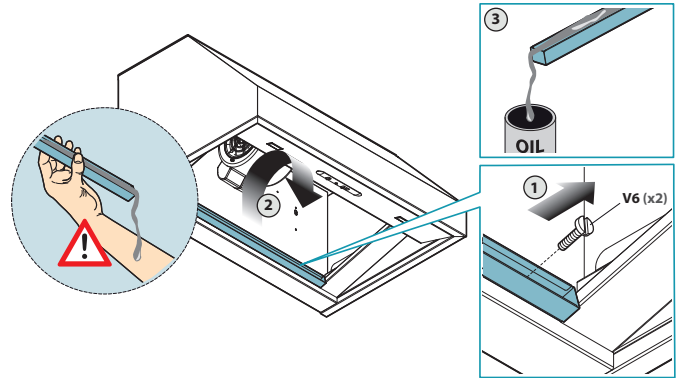


GREASE DRIP TRAY

It is advisable to clean the tray every 15 days.

Do not use corrosive, acid or alkaline detergents.

For more thorough cleaning, remove the oil collection tray (see figure) and wash it with hot water and washing up liquid. Rinse it well and wait for it to be completely dry before reassembling it. They are dishwasher safe.



DISPOSAL AFTER END OF USEFUL LIFE



The crossed-out trash or refuse bin symbol on the appliance means that **the product is WEEE**, i.e. "Waste electrical and electronic equipment"; accordingly **it must not be disposed of with regular unsorted waste** (i.e. with "mixed household waste"), but it must be disposed of separately so that it can undergo specific processing for its re-use, or a specific treatment, to remove and safely dispose of any substances that may be harmful to the environment and remove the raw materials that can be recycled. Proper disposal of these products contributes to saving valuable resources and avoid potential negative effects on personal health and the environment, which may be caused by inappropriate disposal of waste.

You are kindly asked to contact your local authorities for further information regarding the designated waste collection points nearest to you. Penalties for improper disposal of such waste can be applied in compliance with national regulations.

INFORMATION ON DISPOSAL IN EUROPEAN UNION COUNTRIES

The EU WEEE Directive was implemented differently in each country, accordingly, if you wish to dispose of this appliance we suggest contacting your local authorities or dealer to find out what the correct method of disposal is.

INFORMATION ON DISPOSAL IN NON-EUROPEAN UNION COUNTRIES

The crossed-out trash or refuse bin symbol is only valid in the European Union: if you wish to dispose of this appliance in other countries, we suggest contacting your local authorities or dealer to find out what the correct method of disposal is.



WARNING!

The Manufacturer reserves the right to make changes to the equipment at any time and without prior notice. Printing, translation and reproduction, even partial, of this manual are bound by the Manufacturer's authorisation. Technical information, graphic representations and specifications in this manual are for information purposes and cannot be divulged. This manual is written in Italian. The Manufacturer is not responsible for any transcription or translation errors.

Duration of warranty:

For twenty-four (24) months from the original date of purchase, the Fulgor Milano warranty covers all parts and labor to repair or replace, under normal residential use, any part of the product proving to be defective in material or workmanship as a result of the original manufacturing process.

For proof of warranty, please retain the original purchase invoice and the delivery slip.

To obtain service under this warranty you must:

1. Contact Fulgor-Milano Authorized Service
 - a. For all of North America:
online at <http://www.thevettagroup.com/servicerequest.a5w>
 - b. In the United States by email at fulgor@adcoservice.com or by toll free number at 1-855-4-fulgor (1-855-438-5467)
 - c. In Eastern Canada (Ontario->East) by email service@distinctive-online.com or by toll free number at 1-800-361-0799
 - d. In Western Canada (Manitoba<-West) by email at service@pacificspecialtybrands.com or toll free at 1-877-430-5253 x106
2. Provide a copy of your original sales receipt along with model number and serial number information for the product.
3. Provide Fulgor Milano reasonable opportunity to investigate the claim before the Product or any component of the Product has been modified or removed.

TERMS APPLICABLE TO THIS WARRANTY

This warranty is valid in only the 50 continental states of the U.S.A. and the country of Canada. This warranty applies to the original purchaser only and is non-transferable. All service provided by Fulgor Milano on the stated warranty must be performed by a Fulgor Milano authorized servicer, unless otherwise specified by Fulgor Milano. This service will be provided during the regular business hours of each specific region.

This warranty applies only to products purchased from an authorized dealer through an approved distribution chain and is installed for normal residential use and does not apply to commercial use or use on yachts.

This warranty only covers service performed at the location of product installation and will not cover costs associated with repairing off-site unless expressly authorized by Fulgor Milano nor does it cover the travel costs associated with providing service to remote locations.

Remote locations are defined as being outside of a 50 mile (80 kilometre) radius from any authorized dealer. This warranty does not cover any parts or labor to correct any defect caused by negligence, transport, delivery, improper voltage, accident or improper use, maintenance, installation, service or repair, including but not limited to improper removal and reinstallation of any component of the product (ie. removing handles to fit through doors) prior to or during product delivery / installation.

The remedies described herein are the only ones which Fulgor Milano will provide, either under this warranty or under any warranty arising by operation of law. Fulgor Milano will not be responsible for product loss due to spoilage or burning nor for consequential damages to surrounding cabinetry, construction materials or finishing materials such as but not limited to flooring.

Fulgor Milano will not be responsible for any consequential or incidental damages arising from the breach of these warranties or any other warranties, whether express, implied or statutory.

The warranty will be valid and effective only upon presentation of the document stating the purchase date of the appliance, and more specifically of the relevant invoice, proof of purchase, or equivalent document showing the name of the seller, the delivery date and the identification data of the appliance.

(Such as; Model number, Serial Number).

In the case of new product being included in the purchase of new residential construction; this warranty applies to the original resident of the location containing the Fulgor Milano product and warranty coverage will begin on the date of occupancy of the residence (proof of occupancy required) to a maximum additional six months from the date of purchase of the product by the development company from the distributor or dealer. This extension does not apply to footnote 1 below.

This warranty is only valid where the difference between the purchase date and the production date of the product is less than one year. Any product which has been warehoused for more than this one year period will only be covered under the terms of Fulgor Milano's B-Stock / Display Model warranty.

During the warranty period Fulgor Milano reserves the right to evaluate the opportunity to repair the appliance or, at their discretion, offer to replace it with a Fulgor Milano product of equivalent features and functionality. Fulgor Milano reserves the right to revise this warranty at any time.

Some states do not allow the exclusion or limitation of incidental or consequential damages so the above limitation or exclusion may not apply to you. This warranty gives you specific legal rights and you may also have other rights which vary from state to state.

¹Doors, handles, glass, product frames, racking, interior and exterior surfaces are covered by a limited 30-day parts only warranty for cosmetic defects originating from the factory.

*Replacement light bulbs are not covered by the product warranty.

CONSIGNES DE SÉCURITÉ ET MISES EN GARDE



Le travail d'installation doit être effectué par des installateurs compétents et qualifiés, conformément aux indications du présent manuel et en respectant les normes en vigueur.

Si le câble d'alimentation ou d'autres composants sont endommagés, la hotte NE doit PAS être utilisée : débrancher la hotte de l'alimentation électrique et contacter le revendeur ou un Centre d'Assistance technique agréé pour la réparation.

Ne pas modifier la structure électrique, mécanique et fonctionnelle de l'appareil.

Ne pas tenter d'effectuer soi-même des réparations ou des remplacements : les interventions effectuées par des personnes non compétentes et non qualifiées peuvent provoquer des dommages, éventuellement très graves, à des choses et/ou à des personnes, non couverts par la garantie du Fabricant.

MISES EN GARDE POUR L'INSTALLATEUR

SÉCURITÉ TECHNIQUE



Avant d'installer la hotte, contrôler l'intégrité et la fonctionnalité de chaque partie : en cas de constatation d'anomalies, ne pas procéder à l'installation et contacter le Revendeur.

En cas de constatation d'un défaut esthétique, la hotte NE doit PAS être installée ; la remettre dans son emballage d'origine et contacter le Revendeur.

Après son installation, aucune réclamation ne sera acceptée pour des défauts esthétiques.

Pendant l'installation, toujours utiliser des équipements de protection individuelle (ex. : des chaussures de sécurité) et adopter un comportement prudent et correct.

Le kit de fixation (vis et chevilles) fourni avec la hotte est utilisable uniquement sur des murs en maçonnerie : s'il faut installer la hotte sur des murs de matériau différent, évaluer d'autres systèmes de fixation en tenant compte de la résistance du mur et du poids de la hotte (indiqué à la page 2).

Tenir compte du fait que l'installation avec des systèmes de fixation différents de ceux fournis ou non conformes peut comporter des risques de nature électrique et de tenue mécanique.

Ne pas installer la hotte à l'extérieur et ne pas l'exposer à des agents atmosphériques (pluie, vent, etc.).

SÉCURITÉ ÉLECTRIQUE



Le circuit électrique, auquel est reliée la hotte, doit être aux normes et muni d'un raccordement à la terre, conformément aux normes de sécurité du pays d'utilisation ; il doit en outre être conforme aux normes européennes sur l'antiparasite radio.

Avant d'installer la hotte, s'assurer que la tension du secteur correspond à celle reportée sur la plaque qui se trouve à l'intérieur de la hotte.

La prise utilisée pour le branchement électrique doit être facilement accessible avec l'appareil installé : si cela n'était pas possible, prévoir un interrupteur général pour déconnecter la hotte en cas de besoin.

Toute modification de l'installation électrique devra être uniquement effectuée par un électricien qualifié.

La longueur maximum de la vis de fixation de la cheminée (fournie par le fabricant) est de 13 mm. L'utilisation de vis non conformes avec les présentes instructions peut comporter des risques de nature électrique.

En cas de dysfonctionnements de l'appareil, ne pas tenter de résoudre personnellement le problème, mais contacter le revendeur ou un Centre d'Assistance agréé pour la réparation.



Pendant l'installation de la hotte, débrancher l'appareil en retirant la prise ou en agissant sur l'interrupteur général.

SÉCURITÉ ÉVACUATION DES FUMÉES



Ne pas raccorder l'appareil aux conduits d'évacuation des fumées produites par la combustion (par ex. chaudières, cheminées, etc.)

Avant l'installation de la hotte, s'assurer que toutes les normes en vigueur sur l'évacuation de l'air à l'extérieur de la pièce sont respectées.

MISES EN GARDE POUR L'UTILISATEUR



Ces mises en garde ont été rédigées pour votre sécurité et pour celle d'autrui, nous vous prions donc de lire attentivement toutes les parties de ce manuel avant d'utiliser l'appareil ou de le nettoyer.

Le fabricant décline toute responsabilité pour d'éventuels dommages, directs ou indirects, pouvant être causés aux personnes, aux choses et aux animaux domestiques, suite au non-respect des mises en garde de sécurité indiquées dans ce manuel.

Il est très important que ce manuel d'instructions soit conservé avec l'appareil pour toute consultation future.

Si l'appareil devait être vendu ou transféré à une autre personne, s'assurer que le manuel soit remis avec celui-ci, de manière à ce que le nouvel utilisateur puisse connaître le fonctionnement de la hotte et des mises en garde relatives.

Après l'installation des hottes en acier inox, il est nécessaire d'effectuer le nettoyage de celles-ci pour retirer les résidus de colle de la protection et les taches éventuelles de graisse et d'huile qui, si on ne les enlève pas, peuvent être cause de détérioration irréversible de la surface de la hotte. Pour cette opération, le fabricant conseille d'utiliser les serviettes fournies, disponibles même à l'achat.

Exiger des pièces de rechange originales.

DESTINATION D'UTILISATION

L'appareil est destiné, seulement et exclusivement, pour l'aspiration de fumées générées par la cuisson d'aliments en milieu domestique, non professionnel : toute autre utilisation différente de celle-ci est impropre et peut provoquer des dommages à des personnes, choses et animaux domestiques, et dégage le Fabricant de toute responsabilité.

L'appareil peut être utilisé par des enfants de plus de 8 ans et des personnes ayant des capacités physiques, sensorielles ou mentales réduites, ou dépourvues d'expérience ou de connaissances nécessaires, pourvu qu'ils soient sous surveillance ou bien après qu'ils aient reçu les instructions relatives à une utilisation sûre de l'appareil et qu'ils aient compris les dangers correspondants.

Les enfants ne doivent pas jouer avec l'appareil. Le nettoyage et la maintenance destinés à être effectués par l'utilisateur ne doivent pas être effectués par des enfants sans surveillance.

MISES EN GARDE POUR L'UTILISATION ET LE NETTOYAGE



Avant de procéder à toute opération de nettoyage ou d'entretien, désactiver l'appareil en enlevant la fiche ou en agissant sur l'interrupteur général.

Ne pas utiliser la hotte avec les mains mouillées ou les pieds nus.

Contrôler toujours que toutes les parties électriques (lumières, aspirateur) soient éteintes lorsque l'appareil n'est pas utilisé.

Le poids maximum total d'éventuels objets positionnées ou suspendus (où c'est prévu) sur la hotte ne doit pas dépasser 1,5 kg.

Contrôler les friteuses pendant l'utilisation : l'huile surchauffée pourrait s'enflammer.

Ne pas allumer de flammes nues sous la hotte.

Ne pas cuisiner avec une flamme nue sous la hotte.

Ne jamais utiliser la hotte sans les filtres métalliques anti-graisse ; dans ce cas, la graisse et la saleté se déposeront dans l'appareil et compromettront son fonctionnement.

Des parties accessibles de la hotte peuvent être chaudes si elles sont utilisées avec des appareils de cuisson.

Ne pas effectuer d'opérations de nettoyage si des parties de la hotte sont encore chaudes.

Si le nettoyage n'est pas mené conformément aux modalités et avec les produits indiqués dans le présent manuel, un risque d'incendie est possible.

Couper l'interrupteur général si l'appareil n'est pas utilisé pendant de longues périodes.



En cas d'utilisation simultanée avec d'autres éléments (chaudières, poêles, cheminées, etc.) alimentés au gaz ou avec d'autres combustibles, pourvoir à une ventilation adéquate du local où s'effectue l'aspiration de la fumée, conformément aux normes en vigueur.

INSTALLATION

partie réservée uniquement à un personnel qualifié



Avant d'effectuer l'installation de la hotte, lire attentivement le chap. « CONSIGNES DE SÉCURITÉ ET MISES EN GARDE ».

CARACTÉRISTIQUES TECHNIQUES

Les données techniques de l'appareil sont reportées sur des étiquettes placées à l'intérieur de la hotte.

POSITIONNEMENT

La distance minimum entre la partie la plus haute de l'appareil de cuisson et la partie la plus basse de la hotte de cuisine est indiquée dans les instructions de montage.

Si les instructions de la table de cuisson au gaz spécifient une distance supérieure, il faut en tenir compte.

Ne pas installer la hotte à l'extérieur et ne pas l'exposer à des agents atmosphériques (pluie, vent, etc.).

BRANCHEMENT ÉLECTRIQUE

(partie réservée uniquement à un personnel qualifié)



Avant d'effectuer toute opération sur la hotte, débrancher l'appareil du réseau électrique.

Veiller à ce que les fils électriques à l'intérieur de la hotte ne soient pas débranchés ou coupés :

dans le cas contraire, contacter le Centre d'Assistance le plus proche.

Pour le raccordement électrique contacter un personnel qualifié.

Le raccordement doit être effectué conformément aux dispositions de lois en vigueur.

Avant de raccorder la hotte au réseau électrique, contrôler que :

- la tension du secteur corresponde à celle reportée sur la plaque des données qui se trouve à l'intérieur de la hotte ;
- le circuit électrique soit aux normes et puisse supporter la charge de l'appareil (voir la plaque des caractéristiques techniques située à l'intérieur de la hotte) ;
- la fiche et le câble d'alimentation ne rentrent pas en contact avec des températures supérieures à 158°F (70 °C) ;
- l'installation d'alimentation soit munie d'un raccordement à la terre efficace et correct, conformément aux normes en vigueur ;
- la prise utilisée pour le branchement soit facilement accessible, une fois la hotte installée.

En cas d' :

- appareils équipés d'un câble sans fiche : la fiche à utiliser doit être du type « normalisé ». Les fils doivent être raccordés de la manière suivante : le fil jaune-vert doit pour la mise à la terre, le fil bleu pour le neutre et le fil marron pour la phase. La fiche doit être raccordée à une prise de sécurité adéquate.
- appareil fixe dépourvu de câble d'alimentation et de fiche ou d'un autre dispositif qui assure la déconnexion du réseau, avec une distance d'ouverture des contacts permettant la déconnexion complète dans les conditions de la catégorie de surtension III. Ces dispositifs de déconnexion doivent être prévus dans le réseau d'alimentation conformément aux règles d'installation.

Le câble de terre jaune/vert ne doit pas être interrompu par l'interrupteur.

Le Fabricant décline toute responsabilité si les normes de sécurité ne sont pas respectées.

ÉVACUATION DES FUMÉES

HOTTE À ÉVACUATION EXTÉRIEURE (ASPIRANTE)



Dans cette version, les fumées et les vapeurs sont envoyées vers l'extérieur à travers un tuyau d'évacuation.

À cette fin, le raccord de sortie de la hotte doit être raccordé par un tuyau à une sortie extérieure.

Le tuyau de sortie doit avoir :

- un diamètre égal ou supérieur à celui du raccord de la hotte.
- une légère inclinaison vers le bas (chute) dans les tronçons horizontaux pour éviter que la condensation ne reflue dans le moteur.
- un nombre de coudes réduit au minimum (pas plus de 3)

- une longueur de conduit réduite au minimum pour éviter toute vibration et réduire la capacité aspirante de la hotte.

Il est nécessaire d'isoler la tuyauterie si elle passe par des endroits non chauffés.

Pour empêcher les retours d'air de l'extérieur, un clapet de non retour est installé en présence des moteurs avec 800 m³/h ou supérieurs.

INSTRUCTIONS DE MONTAGE

partie réservée uniquement à un personnel qualifié



La hotte peut être installée selon diverses configurations.

Les phases de montage génériques valent pour toutes les installations ; par contre, là où il est spécifié, suivre les phases correspondant à la configuration désirée.

FONCTIONNEMENT

QUAND FAUT-IL ALLUMER LA HOTTE ?

Allumer la hotte au moins une minute avant de commencer à cuisiner pour canaliser les fumées et les vapeurs vers la surface d'aspiration.

Au terme de la cuisson, laisser la hotte en fonction jusqu'à l'aspiration complète de toutes les vapeurs et odeurs : grâce à la fonction Timer, il est possible de programmer l'arrêt automatique de la hotte au bout de 15 minutes de fonctionnement.

QUELLE VITESSE CHOISIR ?

I vitesse : maintient l'air pur avec de faibles consommations d'électricité.

II vitesse : conditions normales d'utilisation.

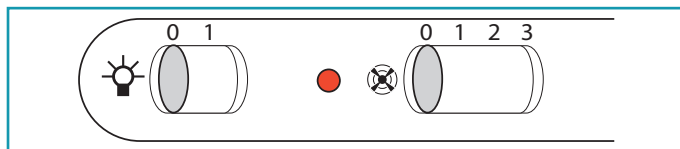
III vitesse : présence de fortes odeurs et vapeurs.

QUAND LAVER OU CHANGER LES FILTRES ?

Les filtres métalliques doivent être lavés après 30 heures d'utilisation.

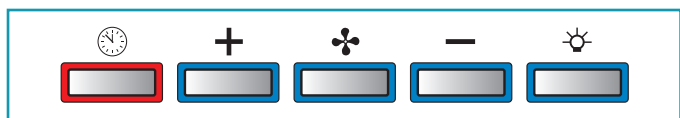
Pour toute information supplémentaire, voir le chap. « ENTRETIEN ».

UTILISATION DU SLIDER



INTERRUPTEUR DE LUMIÈRE	
0	En positionnant le curseur en position 0, la lumière de la hotte est éteinte
1	En positionnant le curseur en position 0, la lumière de la hotte est éteinte
INTERRUPTEUR MOTEUR	
0	En positionnant le curseur en position 0, le moteur de la hotte est éteint
1	En positionnant le curseur en position 1, le moteur est réglé à la vitesse minimale
2	En positionnant le curseur en position 2, le moteur est réglé à la vitesse moyenne
3	En positionnant le curseur en position 3, le moteur est réglé à la vitesse maximale
L'activation du moteur est signalée par l'allumage de la Led rouge présente sur le slider	

COMMANDE ÉLECTRONIQUE



	Moteur ON/OFF Au démarrage, la vitesse est celle mémorisée à l'arrêt précédent.	
+	Augmentation de la vitesse de 1 à 4 La vitesse 4 n'est activée que pendant quelques minutes, puis la vitesse 3 s'active.	Les vitesses sont signalées par les lampes LED présentes sur les touches : Vitesse 1 Vitesse 2 Vitesse 3 Vitesse 4 (LED « + » clignotante)
-	Diminution de la vitesse de 4 à 1	
	Allumage / extinction lumière	
	TIMER (LED rouge clignotante) Arrêt automatique après 15 min. La fonction se désactive (LED rouge éteinte) si : - Vous appuyez une autre fois sur la touche TIMER . - Si vous appuyez sur la touche ON/OFF .	
	ALARME FILTRES (LED rouge fixe avec off) Entretien des filtres anti-graisse après environ 30 heures d'utilisation. Enfoncer pendant 3 secondes pour remettre le compteur à zéro.	

ENTRETIEN



Avant de procéder à toute opération de nettoyage ou d'entretien, désactiver l'appareil en enlevant la fiche ou en agissant sur l'interrupteur général. Il ne faut pas utiliser de détergents contenant des substances abrasives, acides ou corrosives, ni de chiffons ayant des surfaces rêches.

Un entretien constant garantit un bon fonctionnement et un bon rendement dans le temps. Il faut accorder une attention particulière aux filtres **métalliques anti-graisse** : le nettoyage fréquent des filtres et de leurs supports fait en sorte que les graisses inflammables ne s'accumulent pas.

NETTOYAGE DES SURFACES EXTERNES

Il est conseillé de nettoyer les surfaces externes de la hotte **au moins tous les 15 jours** afin d'éviter que les substances huileuses ou grasses ne puissent les attaquer. Pour le nettoyage de la hotte, réalisée en acier inox brossé, le Fabricant conseille l'utilisation des serviettes « Magic Steel ».

Sinon, **pour tous les autres types de surface**, le nettoyage doit être effectué en utilisant un chiffon humide légèrement imprégné d'un détergent liquide neutre ou avec de l'alcool dénaturé.

Terminer le nettoyage en rinçant et en essuyant soigneusement avec des chiffons doux.



Ne pas utiliser trop d'eau à proximité du tableau de commande et des dispositifs d'éclairage pour éviter que l'humidité atteigne des parties électroniques.

Le nettoyage des panneaux en verre doit être effectué uniquement avec des détergents spécifiques non corrosifs ni abrasifs avec un chiffon doux.

Le Fabricant décline toute responsabilité si ces instructions ne sont pas respectées.

NETTOYAGE DES SURFACES INTERNES



Il est interdit de nettoyer les parties électriques ou celles relatives au moteur à l'intérieur de la hotte, avec des liquides ou des solvants.

Pour les parties métalliques internes, consulter le paragraphe précédent.

FILTRES MÉTALLIQUES ANTI-GRAISSE

Il est conseillé de laver **souvent** les filtres métalliques (**au moins tous les mois**) en les laissant tremper pendant une heure environ dans de l'eau bouillante avec du produit vaisselle, en évitant de les plier.

Ne pas utiliser de détergents corrosifs, acides ou alcalins.

Les rincer soigneusement et attendre qu'ils soient bien secs avant de les remonter.

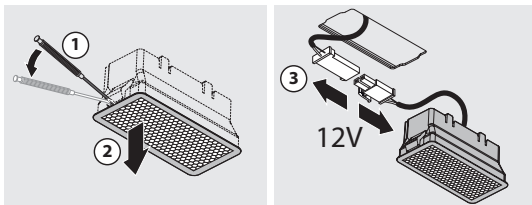
Le lavage en lave-vaisselle est permis, mais il pourrait ternir le matériau des filtres : pour réduire cet inconvénient, utiliser des lavages à basses températures (131°F / 55°C max.).

Pour l'extraction et l'introduction des filtres métalliques anti-graisse, voir les instructions de montage.

ÉCLAIRAGE

La hotte est équipée d'un éclairage par des spots LED à haute efficacité, basse consommation et durée très élevée en conditions d'utilisation normale.

S'il faut remplacer le spot, procéder comme sur la figure.

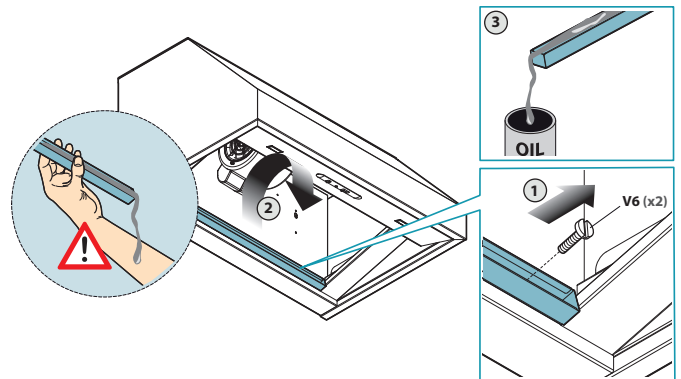


BAC DE RÉCUPÉRATION DE L'HUILE

Il est conseillé de nettoyer le bac tous les 15 jours.

Ne pas utiliser de détergents corrosifs, acides ou alcalins.

Pour un nettoyage en profondeur, enlever le bac de récupération de l'huile (voir la figure) et le laver avec de l'eau bouillante et du liquide vaisselle. Le rincer soigneusement et attendre qu'il soit bien sec avant de le remonter. Le lavage au lave-vaisselle est permis.



ÉLIMINATION EN FIN DE VIE



Le symbole de la poubelle barrée reporté sur l'appareil en votre possession indique que **le produit est un DEEE**, c'est-à-dire un « Déchet dérivant d'Équipements Électriques et Électroniques » et, par conséquent, **il ne doit pas être jeté dans la poubelle non sélective** (c'est-à-dire avec les « déchets urbains mixtes »),

mais il doit être géré séparément afin d'être soumis aux opérations spécifiques pour sa réutilisation ou bien à un traitement spécifique, pour enlever et éliminer en toute sécurité toute substance néfaste pour l'environnement et extraire les matières premières pouvant être recyclées. L'élimination correcte de ce produit contribuera à sauvegarder de précieuses ressources et à éviter de potentiels effets négatifs pour la santé de l'homme et pour l'environnement, qui pourraient être causés par une élimination inappropriée des déchets.

Nous vous prions de contacter les autorités locales pour de plus amples détails sur le point d'élimination désigné le plus proche. Des amendes pourraient être appliquées pour l'élimination incorrecte de ces déchets, conformément à la législation nationale.

INFORMATIONS SUR L'ÉLIMINATION DANS LES PAYS DE L'UNION EUROPÉENNE

La directive communautaire sur les appareils DEEE a été transposée en mode différent par chaque nation, par conséquent si l'on souhaite éliminer cet appareil nous conseillons de contacter les autorités locales ou le revendeur pour demander la méthode d'élimination correcte.

INFORMATIONS SUR L'ÉLIMINATION DANS LES PAYS QUI N'APPARTIENNENT PAS À L'UNION EUROPÉENNE

Le symbole de la poubelle barrée est valable seulement dans l'Union Européenne : si l'on souhaite éliminer cet appareil dans d'autres pays, nous conseillons de contacter les autorités locales ou le revendeur pour demander la méthode d'élimination correcte.



ATTENTION !

Le Fabricant se réserve le droit d'apporter des modifications aux appareils à tout moment et sans préavis. L'impression, la traduction et la reproduction, même partielle, du présent manuel doivent être autorisées par le Fabricant.

Les informations techniques, les représentations graphiques et les spécifications présentes dans ce manuel sont indicatives et non divulguables.

La langue de rédaction du manuel est l'italien, le Fabricant n'est pas responsable d'éventuelles erreurs de transcription ou de traduction.

Durée de la garantie:

La garantie Fulgor Milano couvre, pendant vingt-quatre mois à partir de la date originale d'achat, toutes les pièces et le travail mis en oeuvre pour la réparation et le remplacement de toutes parties du produit utilisées dans un contexte résidentiel normal et frappées de vices de matériau et de fabrication.

Conserver la facture originale et le bordereau de livraison comme attestation du droit à la garantie.

Pour pouvoir bénéficier du service de garantie, procéder de la manière suivante:

- Contactez le service agréé Fulgor-Milano
 - Pour toute l'Amérique du Nord:
En ligne à <http://www.thevettagroup.com/servicerequest.a5w>
 - Aux États-Unis par courrier électronique à fulgor@adcoservice.com ou par numéro sans frais au 1-855-4-fulgor (1-855-438-5467)
 - Dans l'est du Canada (Ontario-> Est) par e-mail au service@distinctive-online.com ou par numéro sans frais 1-800-361-0799
 - Dans l'est du Canada (Manitoba-> Ouest) par e-mail au service@pacicspecialtybrands.com ou par numéro sans frais 1-877-430-5253 x106
- Présentez une copie de votre ticket d'achat original avec le numéro de modèle et le numéro de série du produit.
- Permettez à Fulgor Milan de vérifier votre réclamation avant que le Produit ou une quelconque partie du Produit aient été modifiées ou supprimées

CLAUSES DE GARANTIE

Cette garantie est valable uniquement dans les 50 états continentaux des États-Unis et au Canada. Elle s'applique uniquement à l'acheteur original et n'est pas transférable. Tous les services fournis par Fulgor Milano au titre de la garantie doivent être effectués auprès d'un service d'assistance agréé Fulgor Milano sauf indication contraire de ce dernier. Les services seront prêtés aux heures de travail habituelles de chaque région. La présente garantie s'applique uniquement aux produits achetés auprès d'un revendeur autorisé à travers une chaîne de distribution agréée; il est destiné à une utilisation résidentielle normale, tout usage commercial ou installation sur une embarcation étant expressément exclus. La garantie couvre les activités réalisés sur le site d'installation du produit ; les frais d'une réparation réalisée en un autre lieu sont exclus sauf autorisation expresse de Fulgor Milano. Les frais de déplacement dérivés d'une prestation d'assistance à réaliser dans un endroit éloigné sont exclus. Par endroit éloigné, on entend à une distance supérieure à un rayon de 50 miles (80 kilomètres) du siège du revendeur autorisé. Cette garantie ne couvre pas les pièces de rechange ni les réparations en cas de défaillances dérivés de négligence, transport, livraison, tension inadéquate, accident ou usage, entretien, installation, révision ou réparation ou installation impropres, ce qui comprend notamment, entre autres, le démontage et la réinstallation impropres d'un composant du produit quel qu'il soit (par exemple démontage des poignées pour le faire passer par une porte) avant ou pendant la livraison/installation du produit.

Les interventions décrites ici sont les seules que fournit Fulgor Milano aussi bien au titre de cette garantie que dans le cadre de toute autre garantie applicable aux termes de la loi. Fulgor Milano n'est pas responsable de la perte du produit par détérioration ou par combustion, ni des dommages subis par le mobilier et les matériaux de construction ou de finition, notamment les revêtements de sol.

Fulgor Milano décline toute responsabilité pour tout dommage conséquent ou indirect dérivé du non-respect de ces garanties ou d'autres garanties explicites, implicites ou obligatoires.

La présente garantie ne deviendra valide et efficace qu'avec la présentation du document attestant la date d'achat de l'appareil, précisément de la facture ou du ticket d'achat ou tout document équivalent indiquant le nom du vendeur, la date de livraison et les données d'identification de l'appareil (par ex. numéro du modèle, numéro de série). Dans le cas d'un produit neuf inclus dans l'achat d'une nouvelle construction résidentielle, la garantie s'applique au premier habitant des locaux contenant le produit Fulgor Milano et la date de prise d'effet de la garantie sera celle de prise de possession de la résidence (certificat d'occupation requis) et, de toutes façons, à six mois au plus de la date d'achat du produit par la société auprès du distributeur ou revendeur.

Cette extension ne s'applique pas aux éléments décrits dans la note 1 ci-dessous. Cette garantie n'est valide que si la différence entre la date d'achat et la date de fabrication du produit est inférieure à un an.

Un produit resté en stock pendant plus d'un an sera couvert par la garantie Stock B/Modèle destiné à l'exposition de Fulgor Milano.

Pendant la période de garantie, Fulgor Milano se réserve le droit d'évaluer l'opportunité de réparer l'appareil ou, à sa discrétion, de le remplacer par un produit Fulgor Milano de caractéristiques et fonctions équivalentes.

Fulgor Milano se réserve le droit de revoir à tout moment la présente garantie.

Certains États ne permettent pas l'exclusion ni la limitation des dommages accessoires ou conséquents; la limitation ou exclusion visée plus haut pourrait donc ne pas s'appliquer dans votre cas. La présente garantie vous octroie des droits légaux spécifiques; vous pourriez bénéficier d'autres droits qui peuvent varier d'un État à l'autre.

¹Les portes, poignées, cadres, supports, surfaces intérieures et extérieures du produit sont couverts par une garantie limitée de 30 jours pour défauts cosmétiques en sortie d'usine.

*Les ampoules électriques de rechange ne sont pas couvertes par la garantie de produit.

INSTRUCCIONES DE SEGURIDAD Y ADVERTENCIAS



Las operaciones de instalación deben efectuarlas instaladores competentes y cualificados, siguiendo cuanto se indica en este manual y respetando las normas en vigor.

Si el cable de alimentación u otros componentes están dañados, NO utilice la campana. Desconecte la campana de la alimentación eléctrica y póngase en contacto con el vendedor o con un centro de asistencia técnica autorizado para la reparación.

No cambie la estructura eléctrica, mecánica y de funcionamiento del equipo.

No trate de realizar por sí solo reparaciones o sustituciones: las intervenciones realizadas por personas no competentes y cualificadas pueden provocar daños, incluso graves, a cosas y/o personas que no están cubiertos por la garantía del fabricante.

ADVERTENCIAS PARA EL INSTALADOR

SEGURIDAD TÉCNICA



Antes de instalar la campana controle la integridad y funcionalidad de cada una de sus partes: si se notan anomalías no realice la instalación y póngase en contacto con el revendedor.

NO instale la campana si detecta un defecto estético; vuélvala a colocar en su empaque original y póngase en contacto con el revendedor.

Una vez instalada, no se aceptará ninguna reclamación por defectos estéticos.

Durante la instalación, utilice siempre equipos de protección personal (ej. calzado de protección contra accidentes) y adopte comportamientos prudentes y correctos.

El kit de fijación (tornillos, tacos y abrazaderas) que se entrega con la campana se puede usar solo en paredes de mampostería; si es necesario instalar la campana en paredes de material diferente, evalúe otros sistemas de fijación teniendo en cuenta la resistencia de la pared y el peso de la campana (indicado en la pág. 2).

Tenga en cuenta que la instalación con sistemas de fijación diferentes a los suministrados o no conformes puede conllevar riesgos de tipo eléctrico y mecánico.

No instale la campana en exteriores ni la exponga a agentes atmosféricos (lluvia, viento, etc.).

SEGURIDAD ELÉCTRICA



La instalación eléctrica a la cual se conecta la campana debe respetar las normas correspondientes y tener obligatoriamente una conexión a tierra según las normas de seguridad del país de uso; además debe respetar las normativas europeas sobre la protección contra interferencias radio.

Antes de instalar la campana, controle que la tensión de red coincida con la indicada en la placa colocada en el interior de la campana.

La toma usada para la conexión eléctrica debe ser fácilmente accesible con el aparato instalado; en caso contrario, prevea un interruptor general para desconectar la campana.

Cualquier modificación en la instalación eléctrica deberá ser realizada sólo por un electricista cualificado.

La longitud máxima del tornillo de fijación de la chimenea (proporcionado por el fabricante) es de 13 mm. El uso de tornillos que no sean conformes con estas instrucciones comporta riesgos de tipo eléctrico.

En caso de problemas de funcionamiento del equipo, no intente solucionar el problema por sí solo y póngase en contacto con el vendedor o un centro de asistencia autorizado para la reparación.



Durante la instalación de la campana, desconecte el equipo quitando el enchufe o accionando el interruptor general.

SEGURIDAD DESCARGA DE HUMOS



No conecte el aparato a conductos de descarga de los humos producidos por la combustión (por ejemplo, calderas, chimeneas, etc.).

Antes de instalar la campana asegúrese de que se respeten todas las normativas vigentes sobre la descarga del aire en el exterior del local.

ADVERTENCIAS PARA EL USUARIO



Estas advertencias se han redactado para su seguridad y la del resto de personas; le rogamos que lea atentamente este manual antes de instalar o de usar el aparato o realizar operaciones de limpieza en el mismo.

El Fabricante declina toda responsabilidad por posibles daños que puedan ser provocados directa o indirectamente a personas, animales o cosas debido al incumplimiento de las advertencias de seguridad indicadas en este manual.

Es muy importante que conserve este libro de instrucciones del equipo para consultas futuras.

Si el equipo debe venderse o cederse a otra persona, compruebe que se adjunte el manual, de manera que el nuevo usuario pueda estar informado sobre el funcionamiento de la campana y sobre las advertencias correspondientes.

Después de instalar las campanas de acero inoxidable es necesario limpiarlas para eliminar los residuos de cola del protector y las posibles manchas de grasa o y aceites que, de no eliminarse, pueden causar un deterioro irreparable en la superficie de la campana. Para esta operación, el fabricante recomienda usar las toallitas suministradas de serie, disponibles también a la venta.

Exija piezas de recambio originales.

DESTINO DE USO

El aparato se puede usar única y exclusivamente para la aspiración de humos generados por la cocción de alimentos en cocinas domésticas, no profesionales; cualquier otro uso es inapropiado, puede provocar daños a personas, cosas y animales domésticos y exime al fabricante de toda responsabilidad.

Los niños cuya edad no sea inferior a los 8 años y las personas con capacidades físicas, sensoriales o mentales reducidas y sin experiencia ni los conocimientos necesarios, pueden usar el equipo siempre que estén bajo supervisión o hayan recibido las correspondientes instrucciones para el uso seguro del equipo y para la comprensión de los peligros relacionados con este.

Los niños no deben jugar con el equipo. Los niños no deben realizar sin vigilancia la limpieza y el mantenimiento destinados al usuario.

ADVERTENCIAS PARA EL USO Y LA LIMPIEZA



Antes de realizar cualquier tipo de limpieza o de mantenimiento, desconecte el equipo desenchufándolo o usando el interruptor general.

No use la campana con las manos mojadas o los pies descalzos.

Controle siempre que todas las partes eléctricas, (luces, aspirador), estén apagadas cuando no se use el equipo.

El peso máximo total de los posibles objetos colocados o colgados (cuando esté previsto) en la campana no debe superar los 1,5 kg.

Controle las freidoras mientras las está usando: El aceite recalentado podría inflamarse.

No encienda llamas libres debajo de la campana.

No cocine con llamas "libres" debajo de la campana.

No use nunca la campana sin los filtros metálicos antigrasa; en este caso la grasa y la suciedad se depositarían en el equipo perjudicando su funcionamiento.

Las partes accesibles de la campana pueden estar calientes cuando se usan con equipos de cocción.

No realice operaciones de limpieza con las partes de la campana aún calientes.

Si no se realiza la limpieza según las modalidades y los productos indicados en este manual, esto puede conllevar un riesgo de incendio.

Desconecte el interruptor general, si no va a usar el equipo durante un periodo de tiempo prolongado.



En caso de utilizar simultáneamente otros equipos (calderas, estufas, hogares, etc.) alimentados con gas o con otros combustibles, prevea una adecuada ventilación del ambiente donde se realiza la aspiración de humos, según las normas vigentes.

INSTALACIÓN parte reservada al personal cualificado



Antes de instalar la campana, lea atentamente el cap. "INSTRUCCIONES DE SEGURIDAD Y ADVERTENCIAS".

CARACTERÍSTICAS TÉCNICAS

Los datos técnicos del aparato se encuentran en unas etiquetas colocadas dentro de la campana.

POSICIONAMIENTO

La distancia mínima entre la parte más alta del aparato para la cocción y la parte más baja de la campana de cocina se indica en las instrucciones de montaje.

Si las instrucciones de la placa de cocción a gas especifican una distancia mayor, es necesario tomarla en cuenta.

No instale la campana en exteriores ni la exponga a agentes atmosféricos (lluvia, viento, etc.).

CONEXIÓN ELÉCTRICA

(parte reservada solo a personal cualificado)

- ⚠ Antes de efectuar cualquier tipo de operación en la campana, desconecte el equipo de la corriente eléctrica.**
Asegúrese de que no estén desconectados o cortados los hilos eléctricos montados dentro de la campana:
en caso contrario, póngase en contacto con el Centro de Asistencia más cercano.
Para la conexión eléctrica consulte con el personal cualificado.
La conexión debe realizarla conforme a las disposiciones de ley en vigor.

Antes de conectar la campana a la red eléctrica, controle que:

- la tensión de red corresponda a la referida en los datos de la placa situada dentro de la campana;
- la instalación eléctrica cumpla la normativa y pueda soportar la carga (véanse las características técnicas presentes dentro de la campana);
- el enchufe y el cable de alimentación no entren en contacto con temperaturas superiores a los 158°F (70 °C);
- la instalación de alimentación disponga de una conexión de tierra eficaz y correcta según las normas vigentes;
- la toma usada para la conexión sea fácilmente accesible una vez instalada la campana.

En caso de:

- aparatos equipados con cable sin enchufe: el enchufe debe ser de tipo "normalizado". Los cables deben conectarse de la siguiente forma: amarillo-verde para la puesta a tierra, azul para el neutro y el hilo marrón para la fase. El enchufe ha de conectarse a una adecuada toma de seguridad.
- aparato fijo sin cable de alimentación ni enchufe, ni de otro dispositivo que asegure la desconexión de la red, con una distancia de apertura de los contactos que permita la desconexión completa en las condiciones de la categoría de sobretensión III. Estos dispositivos de desconexión deben preverse en la red de alimentación en conformidad con las reglas de instalación.

El cable de tierra amarillo/verde no debe ser interrumpido por el interruptor.

El fabricante se exime de toda responsabilidad en caso de que se incumplan las normas de seguridad.

DESCARGA DE HUMOS

CAMPANA DE EVACUACIÓN EXTERNA (EXTRACTORA)



En esta versión, los humos y vapores son canalizados hacia el ambiente exterior a través del tubo de descarga. Para ello, el racor de salida de la campana debe conectarse mediante un tubo, a una salida externa.

El tubo de salida debe tener:

- un diámetro no inferior al del racor de la campana.
- una ligera inclinación hacia abajo (caída) en los tramos horizontales para evitar que la condensación fluya hacia el motor.
- el número mínimo indispensable de codos.
- la longitud mínima indispensable para evitar vibraciones y reducir la capacidad aspirante de la campana. Es necesario aislar la tubería si pasa a través de ambientes fríos. Para impedir retornos de aire desde el exterior, hay una válvula de no-retorno en presencia de motores con 800 m³/h o superiores.

INSTRUCCIONES DE MONTAJE

(parte reservada al personal cualificado)

- ⚠ La campana puede instalarse en diferentes configuraciones. Las fases de montaje generales valen para todas las instalaciones, mientras que para la instalación específica deben seguirse las indicaciones precisas correspondientes.**

FUNCIONAMIENTO

¿CUÁNDO HAY QUE ENCENDER LA CAMPANA?

Encienda la campana al menos un minuto antes de comenzar a cocinar para transportar los humos y vapores hacia la superficie de aspiración.

Cuando finalice la cocción, deje en funcionamiento la campana hasta que se aspiren todos los vapores y los olores; con la función Temporizador, es posible configurar el apagado automático de la campana después de 15 minutos de funcionamiento.

¿QUÉ VELOCIDAD SELECCIONAR?

I velocidad: mantiene el aire limpio con bajos consumos de energía eléctrica.

II velocidad: condiciones normales de uso.

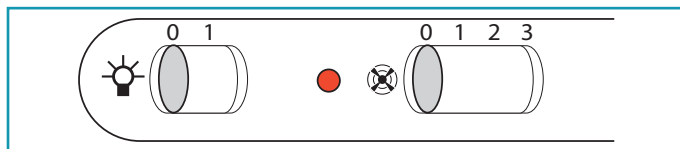
III velocidad: presencia de olores fuertes y de vapores.

¿CUÁNDO LAVAR O CAMBIAR LOS FILTROS?

Los filtros metálicos deben lavarse cada 30 horas de uso.

Para más detalles, consulte el cap. "MANTENIMIENTO".

USO DEL SLIDER



INTERRUPTOR DE LA LUZ

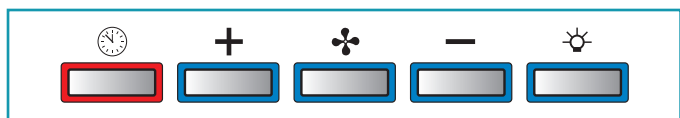
0	Colocando el cursor en la posición 0, la luz de la campana se apaga
1	Colocando el cursor en la posición 1, la luz de la campana se enciende

INTERRUPTOR DEL MOTOR

0	Colocando el cursor en la posición 0, el motor de la campana se apaga
1	Colocando el cursor en la posición 1, se configura el motor a la velocidad mínima
2	Colocando el cursor en la posición 2, se configura el motor a la velocidad media
3	Colocando el cursor en la posición 3, se configura el motor a la velocidad máxima

La activación del motor se indica mediante el encendido del led rojo presente en el slider

PANEL DE MANDOS ELECTRÓNICO



	Motor ON/OFF Cuando se activa, la velocidad es la memorizada en el momento del anterior apagado.	
+	Aumento de la velocidad de 1 a 4 La velocidad 4 se activa solo por algunos minutos, después de activa la velocidad 3.	Los led presentes en los botones indican las velocidades: Velocidad 1 Velocidad 2 Velocidad 3 Velocidad 4 (led "+" intermitente)
-	Reducción de la velocidad de 4 a 1	
	Encendido / Apagado luz	
	TIMER (Led rojo intermitente) Apagado automático tras 15 min. La función se desactiva (Led rojo apagado) si: - Se presiona otra vez la tecla TIMER (🕒). - Se presiona la tecla ON/OFF (🌀).	
	ALARMA FILTROS (Led rojo fijo (🌀) off) Mantenimiento de los filtros antigrasa tras unas 30 horas de uso. Presione (🕒) durante 3 segundos para poner a cero el contador.	

MANTENIMIENTO



Antes de realizar cualquier tipo de limpieza o de mantenimiento, desconecte el equipo desenchufándolo o usando el interruptor general. No deben utilizarse detergentes que contengan sustancias abrasivas, ácidos o corrosivos ni paños con superficies rugosas.

Un mantenimiento constante asegura un buen funcionamiento y un óptimo rendimiento a lo largo del tiempo.

Preste especial atención a los filtros **metálicos antigrasa**: la limpieza frecuente de los filtros y de sus soportes asegura que en la campana no se acumulen grasas inflamables.

LIMPIEZA DE LAS SUPERFICIES EXTERNAS

Se recomienda limpiar las superficies externas de la campana **al menos cada 15 días**, para evitar que las sustancias aceitosas o grasosas puedan dañarlas. Para limpiar la campana, fabricada en acero inoxidable cepillado, el fabricante recomienda el uso de las toallitas "Magic Steel".

Como alternativa, **y para todos los otros tipos de superficies**, la limpieza de la campana se realiza con un paño húmedo ligeramente embebido en detergente líquido neutro o alcohol desnaturalizado.

Termine la limpieza enjuagando bien y secando con paños suaves.



No utilice demasiada agua cerca del panel de mandos y de los dispositivos de iluminación, para evitar que la humedad alcance partes electrónicas.

La limpieza de los paneles de vidrio debe efectuarse únicamente con detergentes específicos no corrosivos o abrasivos y con un paño suave.

El fabricante se exime de toda responsabilidad en caso de que se incumplan dichas instrucciones.

LIMPIEZA DE LAS SUPERFICIES INTERNAS



Se prohíbe limpiar las partes eléctricas o las partes del motor situadas dentro de la campana con líquidos o solventes.

Para las partes metálicas internas, consulte el apartado anterior.

FILTROS METÁLICOS ANTIGRASA

Se aconseja lavar **frecuentemente** los filtros metálicos (**al menos cada mes**) dejándolos en remojo durante 1 hora en agua hirviendo con detergente para platos, evitando doblarlos. No use detergentes corrosivos, ácidos o alcalinos.

Enjuáguelos con cuidado y espere a que estén secos para volver a montarlos.

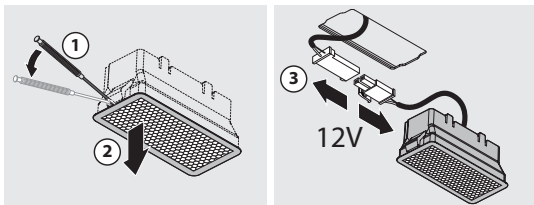
Es posible lavar los filtros en el lavavajillas, pero este tipo de lavado podría oscurecer el material de los filtros; para reducir este inconveniente, utilice bajas temperaturas (131°F / 55°C máx.).

Para extraer y montar los filtros metálicos, consulte las instrucciones de montaje.

ILUMINACIÓN

La campana cuenta con iluminación mediante bombillas de led caracterizadas por una elevada eficiencia, un bajo consumo y una vida útil prolongada, en condiciones de uso normales.

Si es necesario sustituir la bombilla, siga los pasos ilustrados en la figura.

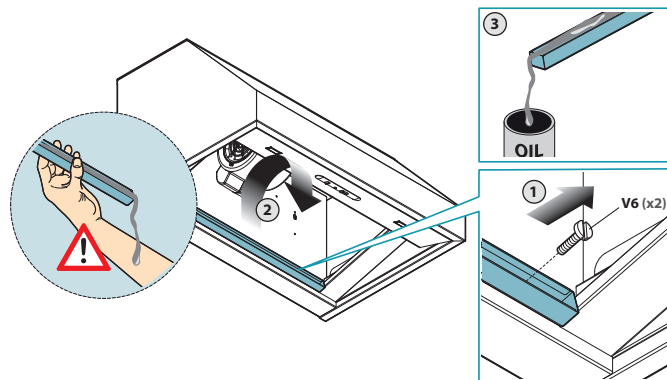


BANDEJA DE RECOGIDA DEL ACEITE

Se recomienda limpiar la bandeja cada 15 días.

No use detergentes corrosivos, ácidos o alcalinos.

Para una limpieza más profunda, quite la bandeja de recogida del aceite (consulte la figura) y lávela con agua caliente y detergente para platos. Enjuáguela con cuidado y espere a que esté bien seca para volver a montarla. Es posible lavarlos en el lavavajillas.



ELIMINACIÓN AL FINAL DE LA VIDA ÚTIL



El símbolo del contenedor tachado que se encuentra en su equipo indica que **el producto es un RAEE**, es decir, un "Residuo de Aparatos Eléctricos y Electrónicos" y, por tanto, **no se puede eliminar en la basura indiferenciada** (o sea, junto con los "residuos urbanos mixtos"), sino que se tiene que eliminar por separado siguiendo las operaciones correspondientes para su reciclaje, o someterse a un tratamiento específico para eliminar de forma segura las sustancias dañinas para el medio ambiente y extraer las materias primas que se pueden reciclar. La eliminación correcta de este producto contribuye a salvar importantes recursos y evitar potenciales efectos negativos para la salud humana y para el medio ambiente, que podrían ser causados por una eliminación inapropiada de los residuos.

Por favor, póngase en contacto con las autoridades locales para obtener mayor información acerca del punto de eliminación más cercano. Se podrían aplicar sanciones por la eliminación incorrecta de estos residuos, según la legislación nacional.

INFORMACIÓN ACERCA DE LA ELIMINACIÓN EN LOS PAÍSES DE LA UNIÓN EUROPEA

La directiva comunitaria sobre los equipos RAEE ha sido acatada de forma diversa en cada país, por tanto, si quiere eliminar este equipo, le sugerimos ponerse en contacto con las autoridades locales o el revendedor para obtener información sobre el método de eliminación correcto.

INFORMACIÓN ACERCA DE LA ELIMINACIÓN EN LOS PAÍSES QUE NO PERTENECEN A LA UNIÓN EUROPEA

El símbolo del contenedor tachado es válido solo en la Unión Europea: si quiere eliminar este equipo en otros países, le sugerimos que se ponga en contacto con las autoridades locales o el revendedor para obtener información sobre el método de eliminación correcto.



¡ATENCIÓN!

El fabricante se reserva el derecho a realizar cualquier cambio a los equipos en cualquier momento y sin previo aviso. La impresión, traducción y reproducción de este manual, incluso parcial, se deben realizar con la autorización del fabricante.

La información técnica, las representaciones gráficas y las indicaciones presentes en este manual son indicativas y no se pueden divulgar.

El idioma original del manual es el italiano, y el fabricante se exime de toda responsabilidad por posibles daños de transcripción o traducción.

Duración de la garantía:

La garantía Fulgor Milano cubre, durante un plazo de veinticuatro meses a partir de la fecha original de compra, todas las piezas y el trabajo que se realice para la reparación y el reemplazamiento de todas las piezas del producto utilizadas en un contexto residencial normal y que manifiesten vicios en los materiales y en la fabricación.

Conservar la factura original y el albarán de entrega como testimonio del derecho a la garantía.

Para poder beneficiarse de la garantía, proceder de la manera siguiente :

1. Ponerse en contacto con el servicio autorizado Fulgor-Milano.
 - a. Para todo el territorio de América del Norte: en línea en <http://www.thevettagroup.com/servicerequest.a5w>
 - b. En los Estados Unidos por correo electrónico a fulgor@adcoservice.com o al número gratuito 1-855-4-fulgor (1-855-438-5467)
 - c. En el este de Canadá (Ontario->Este) por correo electrónico a service@distinctive-online.com o al número gratuito 1-800-361-0799
 - d. En el oeste de Canadá (Manitoba-<Oeste) por correo electrónico a service@pacificspecialtybrands.com o al número gratuito 1-877-430-5253 x106
2. Presentar una copia de su tiqué de compra original con el número de modelo y el número de serie del producto.
3. Permitir a Fulgor Milano que compruebe su reclamación antes de que el Producto o cualquier parte del Producto hayan sido modificados o suprimidos.

CLAÚSULAS DE GARANTÍA

Esta garantía es válida únicamente en los 50 estados continentales de los Estados Unidos y en Canadá. Se aplica únicamente al comprador original y no se puede transferir. Todos los servicios suministrados por Fulgor Milano a título de la garantía deben efectuarse en un servicio de asistencia autorizado por Fulgor Milano salvo indicación contraria de este último. Los servicios se deben realizar en las horas de trabajo habituales de cada región.

La presente garantía se aplica únicamente a los productos comprados en un vendedor aceptado a través de una cadena de distribución autorizada; está destinado a una utilización residencial normal, cualquier uso comercial o instalación en una embarcación quedan expresamente excluidos. La garantía cubre las actividades realizadas en el lugar de instalación del producto ; los gastos de una reparación realizada en otro lugar quedan excluidos salvo autorización expresa de Fulgor Milano. Los gastos de desplazamiento derivados de una prestación de asistencia a realizar en un lugar alejado quedan excluidos. Se considera lugar alejado, el que se encuentra a una distancia superior a un radio de 50 millas (80 kilómetros) desde la sede del vendedor autorizado.

Esta garantía no cubre las piezas de repuesto ni las reparaciones en caso de fallos derivados de negligencia, del transporte y de la entrega, tensión inadecuada, accidente o utilización, mantenimiento, instalación, revisión o reparación o instalación impropia, lo que comprende especialmente, entre otras cosas, el desmontaje y la nueva instalación impropia de un componente del producto cualquiera que sea (por ejemplo desmontaje de los picaportes para hacer que pueda pasar por una puerta) antes o durante la entrega/instalación del producto. Las intervenciones descritas anteriormente son las únicas que suministra Fulgor Milano tanto a título de esta garantía como en el cuadro de cualquier otra garantía aplicable según los términos de la ley. Fulgor Milano no es responsable de la pérdida del producto por deterioro o por incendio, ni de los daños sufridos por el mobiliario y los materiales de construcción o de acabado, especialmente los revestimientos del suelo. Fulgor Milano declina toda responsabilidad por cualquier daño consiguiente o indirecto derivado del no-respeto de estas garantías o de otras garantías explícitas, implícitas u obligatorias.

La presente garantía no será válida y eficaz antes de haber presentado el documento que atestigüe la fecha de la compra del aparato, precisamente de la factura o del tique de compra o cualquier documento equivalente que indique el nombre del vendedor, la fecha de entrega y los datos de identificación del aparato (por ej. número del modelo, número de serie). En el caso de un producto nuevo incluido en la compra de una nueva construcción residencial, la garantía se aplica al primer habitante de los locales en los que se encuentre el producto Fulgor Milano y la fecha de entrada de la garantía será la de toma de posesión de la residencia (se requiere el certificado de ocupación) y, de todas maneras, lo más tarde a seis meses de la fecha de compra del producto por la sociedad en el distribuidor o vendedor. Esta extensión se aplica solo a los elementos descritos en la nota 1 a continuación.

Esta garantía no es válida nada más que si la diferencia entre la fecha de compra y la fecha de fabricación del producto es inferior a un año. Un producto que ha permanecido en stock durante más de un año estará cubierto por la garantía Stock B/Modelo destinado a la exposición de Fulgor Milano.

Durante el periodo de garantía, Fulgor Milano se reserva el derecho de evaluar la oportunidad de reparar el aparato o, a su discreción, reemplazarlo por un producto Fulgor Milano de características y funciones equivalentes. Fulgor Milano se reserva el derecho de revisar en cualquier momento la presente garantía.

Algunos Países no permiten la exclusión ni la limitación de los daños accesorios o consiguientes, la limitación o exclusión dirigida a otros recursos más altos, podría, pues, no aplicarse en su caso. La presente garantía le otorga los derechos legales específicos : podrá beneficiarse de otros derechos que pueden variar de un País a otro.

¹Las puertas, picaportes, cuadros, soportes, superficies interiores y exteriores del producto están cubiertas durante una garantía limitada de 30 días por los defectos estéticos a la salida de la fábrica.

*Las bombillas eléctricas de repuesto no están cubiertas por la garantía del producto.

FULGOR

MILANO

FULGOR

MILANO

FULGOR
MILANO

————— SINCE 1949 —————