

**F6DW24F\*1**  
**F6DW24\*\*1**  
**F6PDW24\*\*1**



**DISHWASHER**

**LAVE-VAISSELLE**

**LAVAVAJILLAS**

**EN** **INSTALLATION INSTRUCTIONS**

**FR** **INSTRUCTIONS D'INSTALLATION**

**ES** **INSTRUCCIONES DE INSTALACIÓN**



**Contents**

1	INTRODUCTION .....	3
2	SAFETY INFORMATION .....	5
3	INSTALLATION MATERIAL .....	8
3.1	Kit supplied with dishwasher .....	9
4	DIMENSIONS OF DISHWASHER .....	10
5	INSTALLATION AND HOOK-UP .....	11
5.1	Leveling.....	12
5.2	Connections.....	13
5.2.1	Connecting to the water supply.....	14
5.2.1.1	Connecting to the water tap.....	15
5.2.1.2	Connecting the drain hose .....	16
5.2.2	Electrical connections and warnings.....	22
5.3	Commissioning .....	23
5.3.1	Installation procedure .....	23
5.3.2	Procedure for mounting the door panel .....	25
5.3.3	Completion of installation .....	28
5.4	Testing .....	31



# 1 INTRODUCTION

*Thank you for choosing one of our products. To install this dishwasher correctly and safely, please read this manual carefully. The manual is divided into sections giving you a step-by-step guide to installation of the appliance. The texts are easy to understand and are complete with detailed illustrations. This user-friendly manual will provide answers to all your questions about installation of the dishwasher.*

***This manual comprises the following sections:***

*INTRODUCTION: general information about the manual.*




*WARNINGS: a list of warnings concerning safety during installation.*

*INSTALLATION INSTRUCTIONS: for the **qualified technician** who must carry out the installation, hook-up and testing of the appliance.*

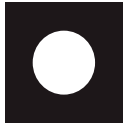
**Nomenclature of figures and tables:**

The progressive number of each figure is shown in the bottom right-hand corner of the relative box. An example of a progressive number is “Fig. 4-01”, where the first number (4) indicates the section to which the figure belongs, while the second number (01) indicates the progressive number of the figure in section 4 (Fig. 4-01 is the first figure in section 4). The tables are numbered in the same way, bearing in mind that “Tab.” is used instead of “Fig.” (e.g.: Tab. 4-01 is the first table in section 4). If a table occupies more than one page, a letter is added after the progressive number (e.g.: “Tab. 4-01a”, Tab. 4-01b”).

**Symbols used in this manual** (see tab. 1-01)

	<b>DANGER.</b> This symbol highlights information and warnings which, if not observed, may compromise personal safety or damage the appliance.
	<b>DANGER OF ELECTROCUTION.</b> This symbol highlights information and warnings of an electrical nature which, if not observed, may compromise personal safety or damage the appliance.
	This symbol highlights general information and warnings.
Tab. 1-01	

**2 SAFETY INFORMATION**



*THIS MANUAL FORMS AN INTEGRAL PART OF THE APPLIANCE: IT MUST ALWAYS BE KEPT INTACT TOGETHER WITH THE DISHWASHER. BEFORE USING THE APPLIANCE, CAREFULLY READ ALL THE INSTRUCTIONS CONTAINED IN THIS MANUAL. INSTALLATION MUST BE PERFORMED BY A QUALIFIED TECHNICIAN, IN COMPLIANCE WITH THE REGULATIONS IN FORCE. THIS APPLIANCE IS INTENDED FOR DOMESTIC USE AND SIMILAR APPLICATIONS SUCH AS THE STAFF KITCHENS OF SHOPS, OFFICES AND OTHER WORKPLACES, INSTITUTIONS, AND FOR THE USE OF GUESTS AT HOTELS, HOSTELS, BED AND BREAKFAST ESTABLISHMENTS AND OTHER RESIDENTIAL FACILITIES AND COMPLIES WITH **DIRECTIVES 2006/95/EC AND 2004/108/EC** CURRENTLY IN FORCE, INCLUDING THE PREVENTION AND ELIMINATION OF RADIO FREQUENCY INTERFERENCE. THE APPLIANCE IS DESIGNED FOR THE FOLLOWING PURPOSE: **WASHING AND DRYING OF DISHES**; ANY OTHER USE SHALL BE CONSIDERED IMPROPER. **THE MANUFACTURER DECLINES ALL RESPONSIBILITY FOR USES OTHER THAN THOSE DESCRIBED ABOVE.***



**INSTALLATION, REPAIRS AND SERVICING MUST BE PERFORMED BY QUALIFIED AND AUTHORIZED TECHNICIANS.** AS WELL AS INVALIDATING THE WARRANTY, WORK CARRIED OUT BY UNAUTHORIZED PERSONS MAY GENERATE HAZARDS. INSTALLATION MUST BE PERFORMED IN COMPLIANCE WITH ALL THE DIRECTIVES IN FORCE IN THE COUNTRY OF INSTALLATION AND, IF THESE DO NOT EXIST: IN THE UNITED STATES THE NATIONAL ELECTRIC CODE; IN CANADA THE CANADIAN ELECTRIC CODE C22.1 - LATEST EDITION/PROVINCIAL AND MUNICIPAL CODES AND/OR LOCAL CODES.



*THE NAME PLATE FEATURING THE TECHNICAL DATA, SERIAL NUMBER AND MARKINGS IS VISIBLY POSITIONED ON THE INNER EDGE OF THE DOOR. **THE NAMEPLATE ON THE INNER EDGE OF THE DOOR MUST NEVER BE REMOVED.***



*THIS APPLIANCE IS NOT SUITABLE FOR USE ON BOATS, CARAVANS OR THE LIKE. DISHWASHERS CERTIFIED FOR DOMESTIC USE ARE NOT SUITABLE FOR AUTHORISED FOOD FACTORIES.*



CHECK THAT THE VOLTAGE, FREQUENCY AND PROTECTION OF THE DOMESTIC MAINS POWER SUPPLY MATCH THE RATINGS ON THE NAME PLATE OF THE APPLIANCE.



**TWO PEOPLE WEARING SAFETY GLOVES ARE REQUIRED TO LIFT THE DISHWASHER.**



DO NOT LEAVING DISCARDED PACKAGING MATERIALS UNSUPERVISED WITHIN THE HOME. SEPARATE THE VARIOUS PACKAGING MATERIALS AND TAKE THEM TO THE NEAREST SORTED WASTE COLLECTION CENTRE. KEEP CHILDREN, PHYSICALLY AND/OR MENTALLY IMPAIRED ADULTS, AND ANIMALS AWAY FROM PACKAGING WASTE; DANGER OF SUFFOCATION.



BEFORE PROCEEDING WITH INSTALLATION, DISCONNECT THE MAINS POWER SUPPLY FROM THE WORK AREA.



DURING INSTALLATION, TAKE CARE NOT TO INJURE YOURSELF ON THE SHARP EDGES OF THE APPLIANCE; WEAR SAFETY GLOVES.



THE APPLIANCE MUST BE PROVIDED WITH A GROUND CONNECTION IN ACCORDANCE WITH THE ELECTRICAL SAFETY REGULATIONS IN FORCE. IF IN DOUBT, HAVE THE SYSTEM CHECKED BY A QUALIFIED ELECTRICIAN.

**THE MANUFACTURER DECLINES ALL RESPONSIBILITY FOR DAMAGE TO PERSONS OR PROPERTY RESULTING FROM THE FAILURE TO GROUND THE APPLIANCE OR FROM A DEFECTIVE GROUND CONNECTION.**



DO NOT USE APPLIANCES WHICH HAVE BEEN DAMAGED DURING TRANSIT! IF IN DOUBT, CONSULT YOUR DEALER. THE APPLIANCE MUST BE INSTALLED AND CONNECTED IN ACCORDANCE WITH THE INSTRUCTIONS PROVIDED BY THE MANUFACTURER OR BY A QUALIFIED TECHNICIAN.



DO NOT OPERATE THE DISHWASHER UNLESS ALL THE OUTER PANELS HAVE BEEN POSITIONED CORRECTLY. IMMEDIATELY AFTER INSTALLATION, BRIEFLY TEST THE APPLIANCE FOLLOWING THE INSTRUCTIONS INDICATED BELOW. IF THE DISHWASHER FAILS TO OPERATE CORRECTLY, DISCON-



NECT IT FROM THE ELECTRICAL POWER SUPPLY AND CALL THE NEAREST TECHNICAL SERVICE CENTRE. **DO NOT ATTEMPT TO REPAIR THE APPLIANCE.**



DO NOT USE EXTENSION CORDS, ADAPTORS OR SHUNT CONNECTIONS IN ORDER TO AVOID THE POSSIBILITY OF OVERHEATING OR BURNING, WITH CONSEQUENT FIRE HAZARD.



**THE MANUFACTURER DECLINES ALL RESPONSIBILITY FOR DAMAGE TO PERSONS, ANIMALS OR PROPERTY RESULTING FROM FAILURE TO OBSERVE THE ABOVE PRECAUTIONS, FROM TAMPERING WITH EVEN A SINGLE COMPONENT OF THE APPLIANCE, OR FROM THE USE OF UNORIGINAL SPARE PARTS.**

**IF IN DOUBT ABOUT THE CONTENTS OF THIS MANUAL, CONTACT THE TECHNICAL ASSISTANCE SERVICE.**

### 3 **INSTALLATION MATERIAL**

To install the dishwasher correctly, the following materials are required:

- Phillips screwdriver (ref. A fig. 3-01);
- spirit level (ref. B fig. 3-01);
- tape measure (ref. C fig. 3-01);
- compass saw (ref. D fig. 3-01);
- pencil (ref. E fig. 3-01);
- file (ref. F fig. 3-01);
- 13 mm open-ended wrench (ref. G fig. 3-01);
- plumbing pliers (ref. H fig. 3-01);
- drill (ref. I fig. 3-01);
- safety gloves (ref. L fig. 3-01).

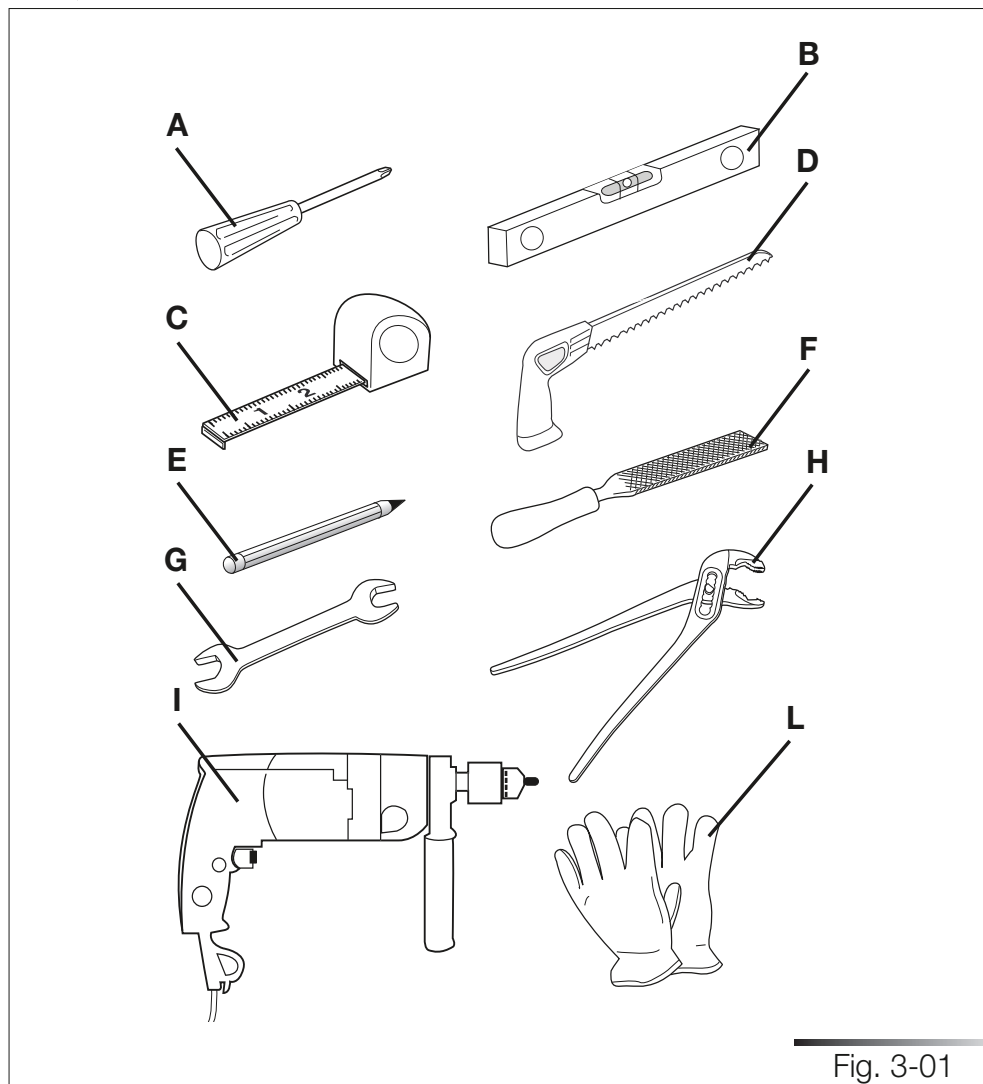


Fig. 3-01

## 3.1 Kit supplied with dishwasher (C-D-E-F only F6DW24FI1 model)

The kit supplied with the dishwasher comprises:

- 1 adhesive steam guard (depending on the model) (ref. A fig. 3-02);
- 1 steel steam guard (depending on the model) (ref. B fig. 3-02);
- 1 template door panel (ref. C fig. 3-02);
- 2 hooks door panel (ref. D fig. 3-02);
- 8 screws for securing the door panel hooks (ref. E fig. 3-02);
- 2 screws for securing the door (ref. F fig. 3-02);
- 4 screws for fixing the dishwasher to the adjacent walls (ref. G fig. 3-02);
- 2 upper fixing screws (ref. H fig. 3-02);
- 2 screw caps (ref. I fig. 3-02);

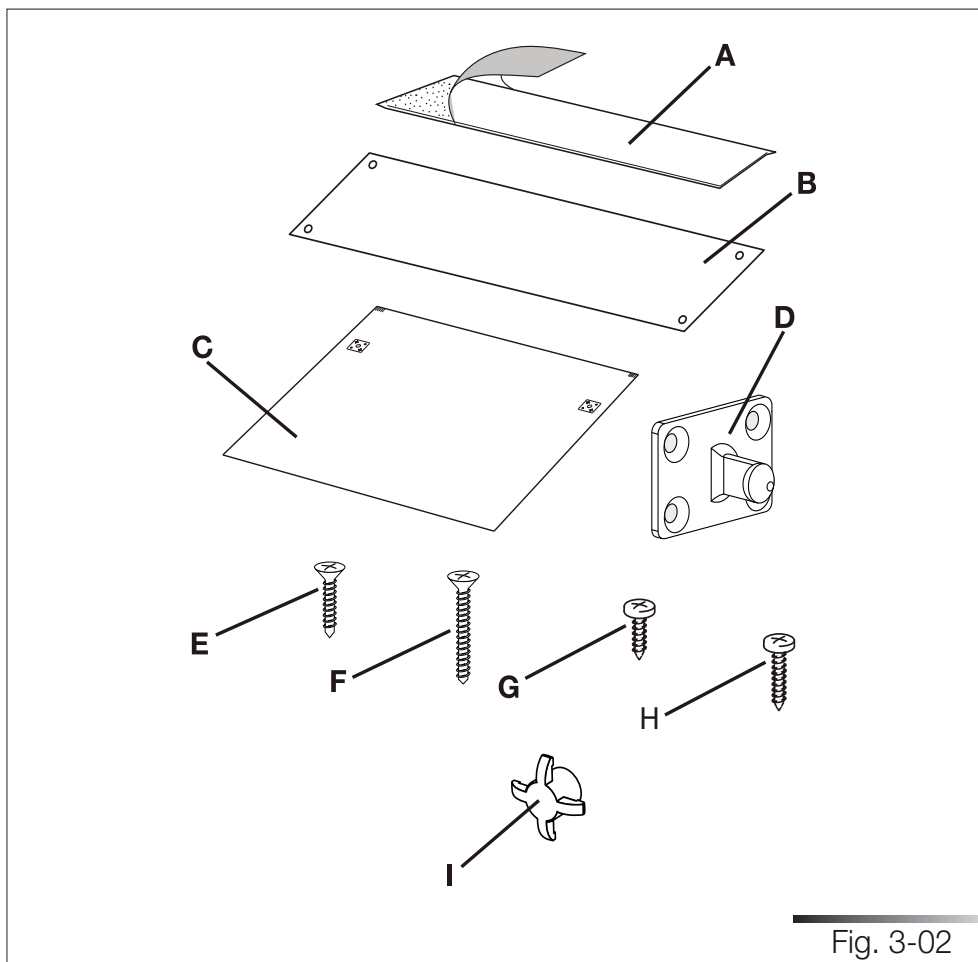
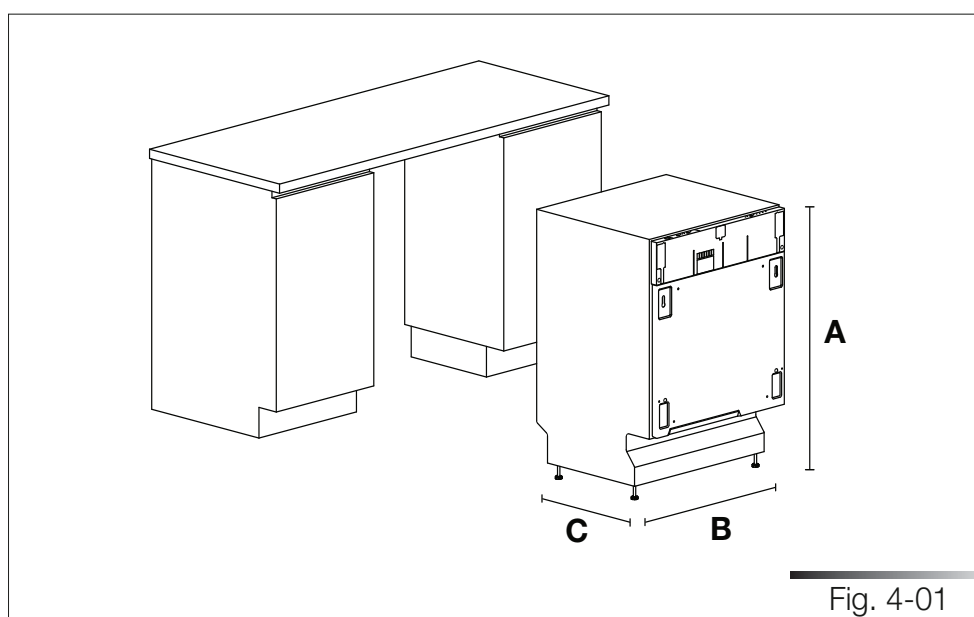


Fig. 3-02

\* The adhesive protection is suitable for kitchens with worktops that do not allow the steel protection to be fixed with screws (e.g.:+ marble or masonry), but it can be also used with other materials.

## 4 DIMENSIONS OF DISHWASHER (See fig. 4-01)

Model	A (height)	B (width)	C (depth)
F6DW24FI1	86 cm - 93 cm 33-14/16" - 36-10/16"	59,7 cm - 59,9 cm 23-1/2" - 23-5/8"	55 cm 21-5/8"
F6DW24SS1 F6PDW24SS1			57 cm 22-4/8"



## 5 INSTALLATION AND HOOK-UP



*DURING INSTALLATION, TAKE CARE NOT TO INJURE YOURSELF ON THE SHARP EDGES OF THE APPLIANCE.*

Remove the polystyrene rack blocks. Position the appliance in the chosen installation position. The sides and rear of the appliance can lie against kitchen units or walls. If the dishwasher is installed next to a heat source, separate it with a heat insulating panel in order to prevent overheating and malfunctions. To assure stability, only install built-in appliances under continuous worktops, securing them to the adjacent kitchen units or worktop with screws.



*BUILDING-IN A DISHWASHER UNDERNEATH A CERAMIC HOB IS **ABSOLUTELY FORBIDDEN**. A DISHWASHER CAN BE BUILT-IN UNDERNEATH A CONVENTIONAL HOB PROVIDED THERE IS **NO BREAK** IN THE KITCHEN WORKTOP, AND THE DISHWASHER AND HOB ARE **INSTALLED AND SECURED CORRECTLY**, SO THAT **NO HAZARDS ARE GENERATED**.*



***MAKE SURE THE DISHWASHER HAS BEEN CORRECTLY INSTALLED AND GROUNDED BY A QUALIFIED FITTER. THIS SAFETY REQUIREMENT MUST BE MET. IN CASE OF DOUBT, CALL IN A QUALIFIED FITTER. THE MANUFACTURER DECLINES ALL RESPONSIBILITY FOR DAMAGE TO PERSONS OR PROPERTY RESULTING FROM THE FAILURE TO GROUND THE APPLIANCE OR FROM A DEFECTIVE GROUND CONNECTION.***



***BEFORE PROCEEDING WITH INSTALLATION, DISCONNECT THE MAINS POWER SUPPLY FROM THE WORK AREA.***

### Only for free-standing models

- It is strictly forbidden to mount a hob over a free-standing dishwasher.

- If the appliance is not in a niche and can therefore be accessed on one side, cover the door hinge area for safety reasons (cutting hazard). Covers are available as accessories from specialized retailers or from the Technical Service Centre.
- To build in the dishwasher, purchase the **relative kit** from specialized retailers or from the Technical Service Centre.

## 5.1 Leveling

### 5.1.2 Levelling the appliance

Level the appliance using the relative adjustable feet (e.g.: ref. A fig. 5-01); use an open-ended wrench to rotate the feet until the dishwasher is perfectly level. Some models are fitted with just one rear foot which can be adjusted with a screw located at the bottom front of the appliance (ref. A fig. 5-02); use a suitable Phillips screwdriver or 8 mm hex head bushing to turn the screw until the dishwasher is perfectly level.

Use a spirit level to check the appliance is perfectly level (ref. B fig. 5-01).

Leveling is vital for assuring correct dishwasher operation.

Make sure to leave a gap of at least 3 mm ( $7/64''$ ) between the top of the dishwasher and the worktop (ref. C fig. 5-01).

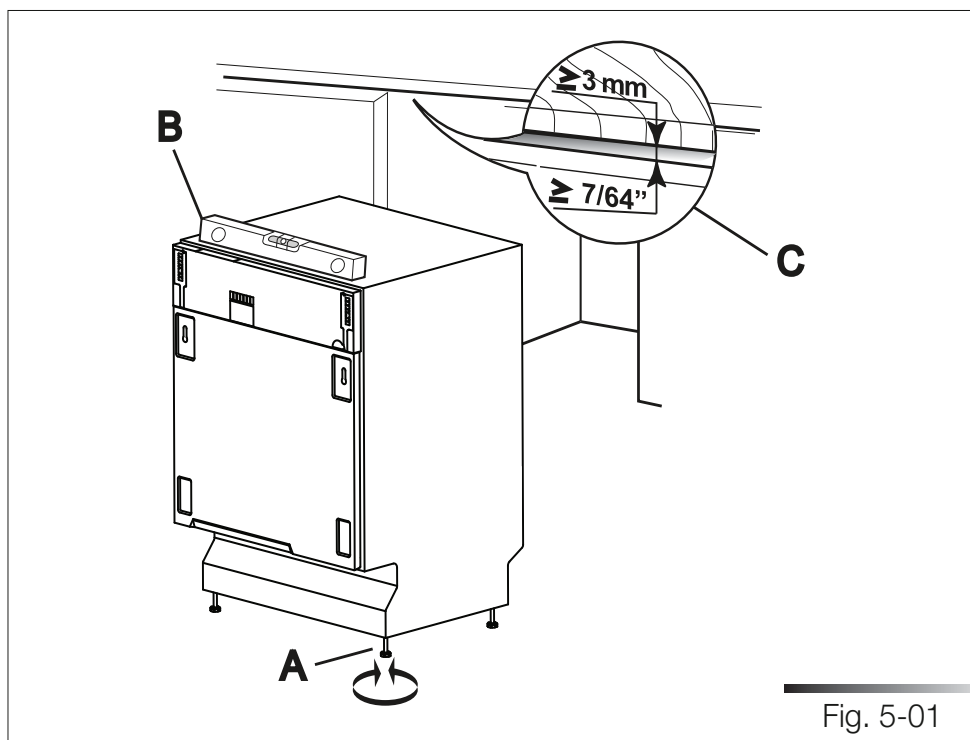


Fig. 5-01

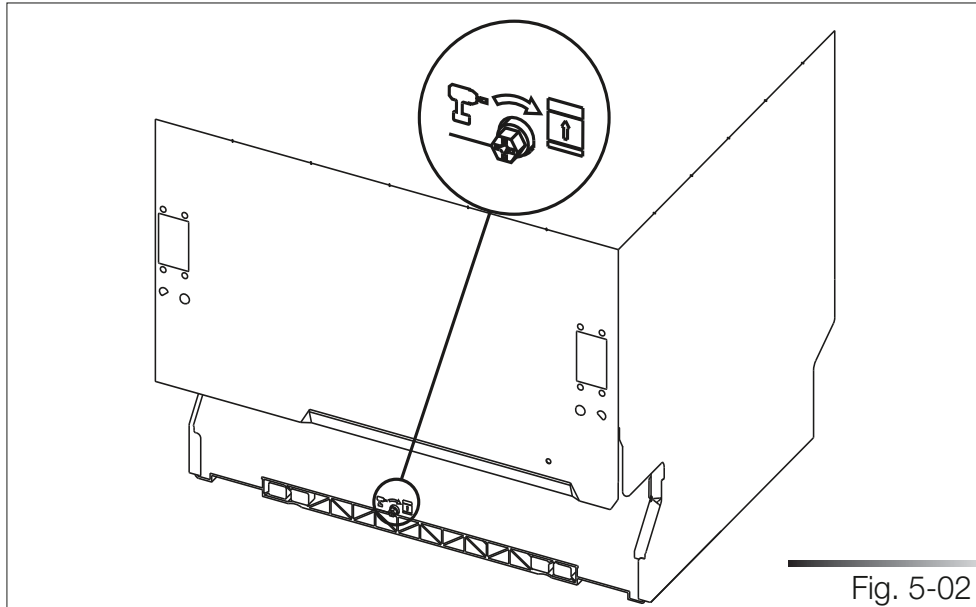


Fig. 5-02

## 5.2 Connections

Install the dishwasher so as to allow ease of access to the electrical and hydraulic connections through the adjacent unit. These connections must never be behind the dishwasher.

The inlet and drain hoses can be pointed in all directions. make sure that they are not bent, crushed or too tight. Tighten the ring nut after pointing the hoses in the required direction.

Figure 5-03 indicates the distances to maintain between the dishwasher and the various connections.



**FIRE HAZARD!**  
DO NOT COVER OR CRUSH THE CORD PLUG.

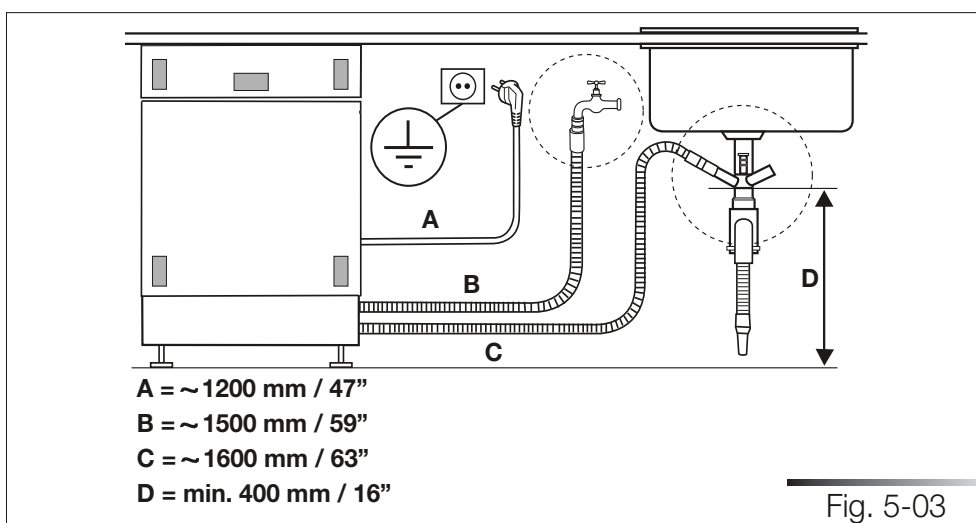


Fig. 5-03

A through hole with a diameter of at least 8 cm (5/32") is required to pass the hoses and power cord (ref. A fig. 5-04).

Make sure there are no rough edges that could damage the power cord or hoses. If the dishwasher is installed in a metal unit protect the edge of the through hole for the hoses and power cord with a gasket. Do not use extension cords when making the electrical connection as these do not guarantee safety.



**ATTENTION!**

*INSTALLING THE DISHWASHER IN A NARROW SPACE MAY BEND OR CRUSH THE POWER CORD. TAKE GREAT CARE IN ORDER TO REDUCE THE POSSIBILITY OF DAMAGING THE POWER CORD WHEN INSTALLING OR REMOVING THE APPLIANCE.*

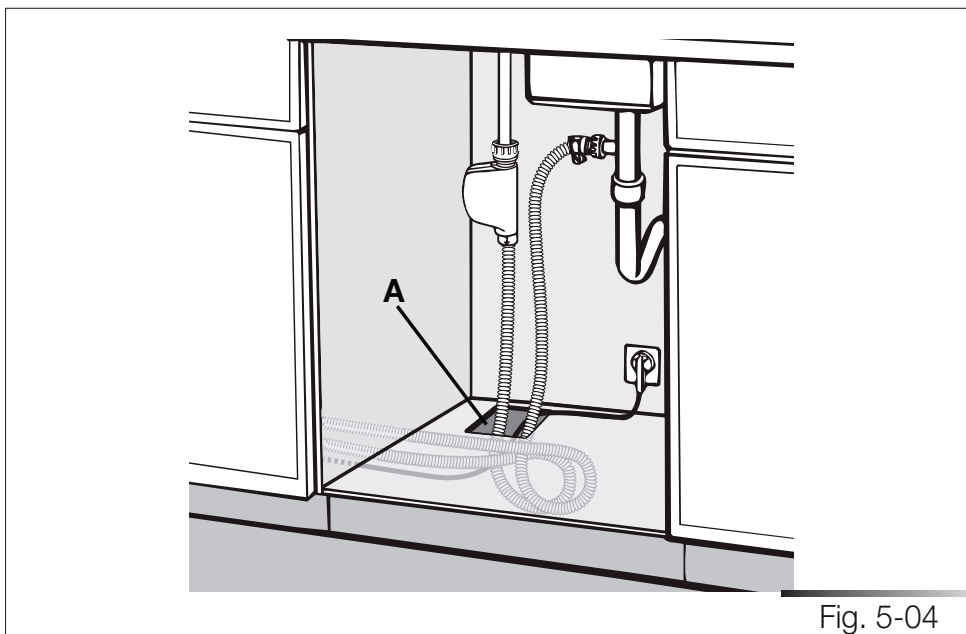


Fig. 5-04

### 5.2.1 Connecting to the water supply



**PREVENTING THE RISK OF CLOGGING OR DAMAGE:** IF THE WATER PIPE IS NEW OR HAS NOT BEEN USED FOR A LONG TIME, BEFORE CONNECTING TO THE WATER SUPPLY CHECK THAT THE WATER IS CLEAR AND FREE OF IMPURITIES, TO PREVENT DAMAGE TO THE APPLIANCE. **THE DISHWASHER MUST ALWAYS BE CONNECTED TO THE WATER SYSTEM WITH NEW HOSES; OLD OR USED HOSES MUST NEVER BE RE-USED.**



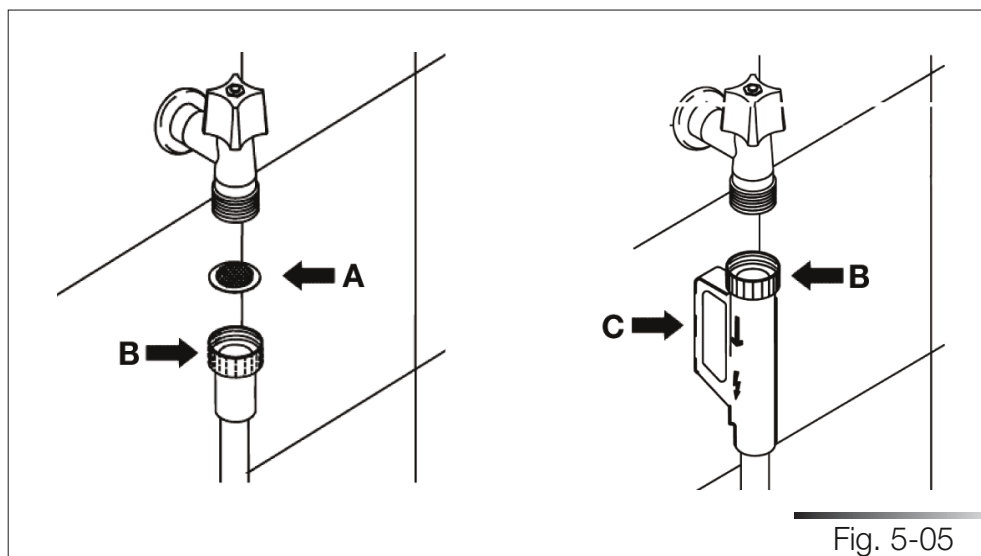
## 5.2.1.1 Connecting to the water tap

Connect the inlet hose to a threaded  $\frac{3}{4}$ " gas cold water tap, fitting the supplied filter (ref. A fig. 5-05). **Firmly secure the hose by tightening the relative ring nut with your hands (ref. B fig. 5-05); finish by tightening another  $\frac{1}{4}$  turn using a pair of plumbing pliers. For models fitted with ACQUAS-TOP (ref. C fig. 5-05) the filter is already present in the threaded ring nut. The dishwasher can be filled with water at a temperature of less than 60°C (140°F).**

If the appliance is filled with hot water, washing times will be reduced by about 20 minutes, but efficiency will be slightly impaired. Make the connection to the domestic hot water tap using the same methods described for connecting the appliance to the cold water tap.

- Recommended temperature: 49°C (120°F), max. 60°C (140°F).
- Recommended water pressure: 0.5 - 9 bar (7 -130 PSI).  
If the pressure is too high, fit a pressure reducer.

**A rubber hose connected to a sink spray may burst if installed on the same pipes feeding the dishwasher. If your sink is fitted with this accessory, remove the hose and plug the hole.**

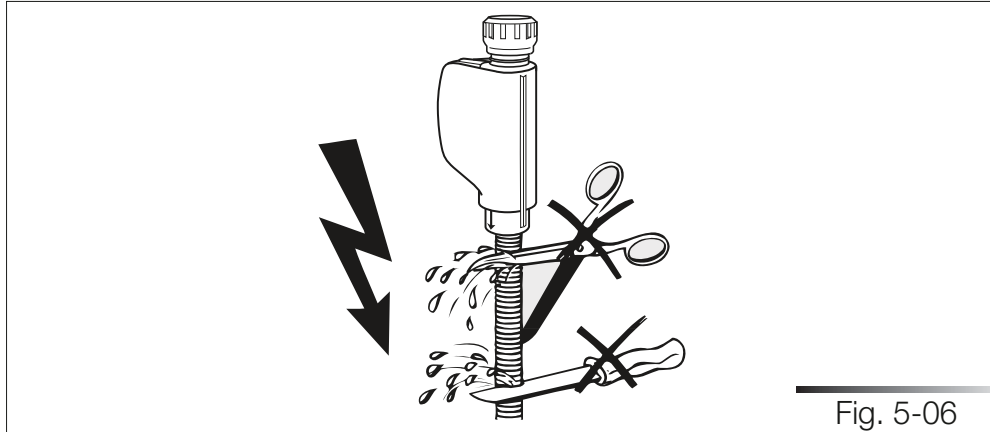


Do not cut the inlet hose (see fig. 5-06).

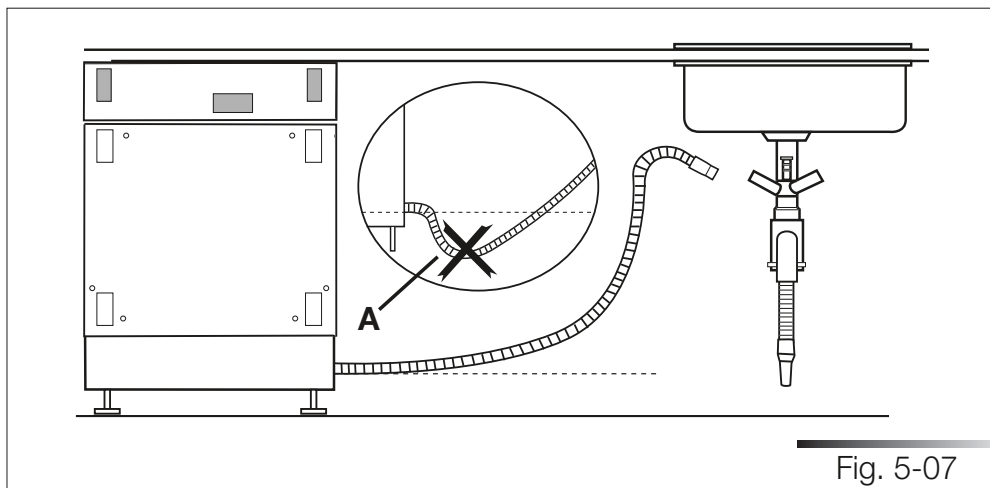
If the hose is cut, the dishwasher will not work, water will leak and you may be injured.

If the hose is too long, wind it up tidily and place it behind the appliance.

The cable harness and electrical components must not come into contact with the hydraulic system and the water inlet and drain hoses.



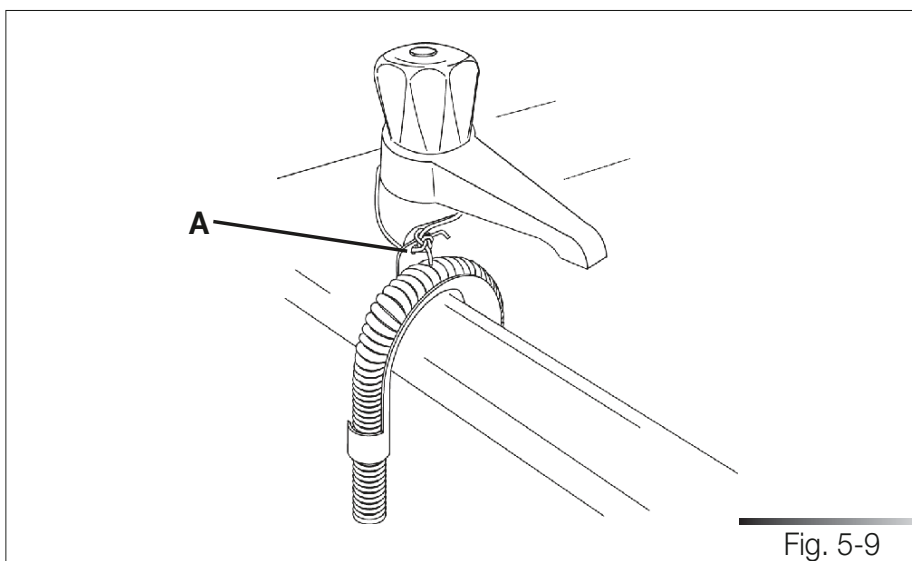
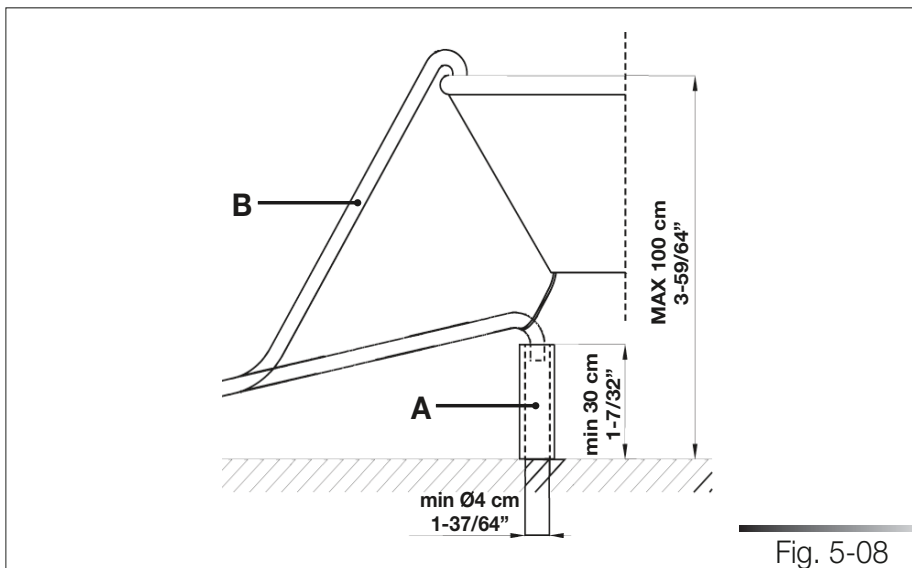
When connecting the dishwasher drain hose to the sink make sure that the hose is not bent (ref. A fig. 5-07) in order to prevent cracks or breakages that could damage it.



## 5.2.1.2 Connecting the drain hose

### Connecting to a drain

Insert the relative hose into a drain with a minimum diameter of **4 cm (1-37/64")** (ref. A fig. 5-08); alternatively, place the hose on the sink (ref. B fig. 5-08) using the supplied hose support (see fig. 5-9), but taking care to avoid obstructions or excessive curving. Make sure the hose cannot fall out. For this purpose, the hose support is fitted with a hole (ref. A fig. 5-9) which can be used to fix it to the wall or the tap with a piece of string. The free end must lie at a height ranging from of **30 to 100 cm (from of 1-7/32" to 3-59/64")** (see fig. 5-08) and must never be immersed in water. If horizontal extension hoses with a maximum length of 3m are used, position the drain hose at a maximum height of **85 cm (3-11/32")** above the floor.

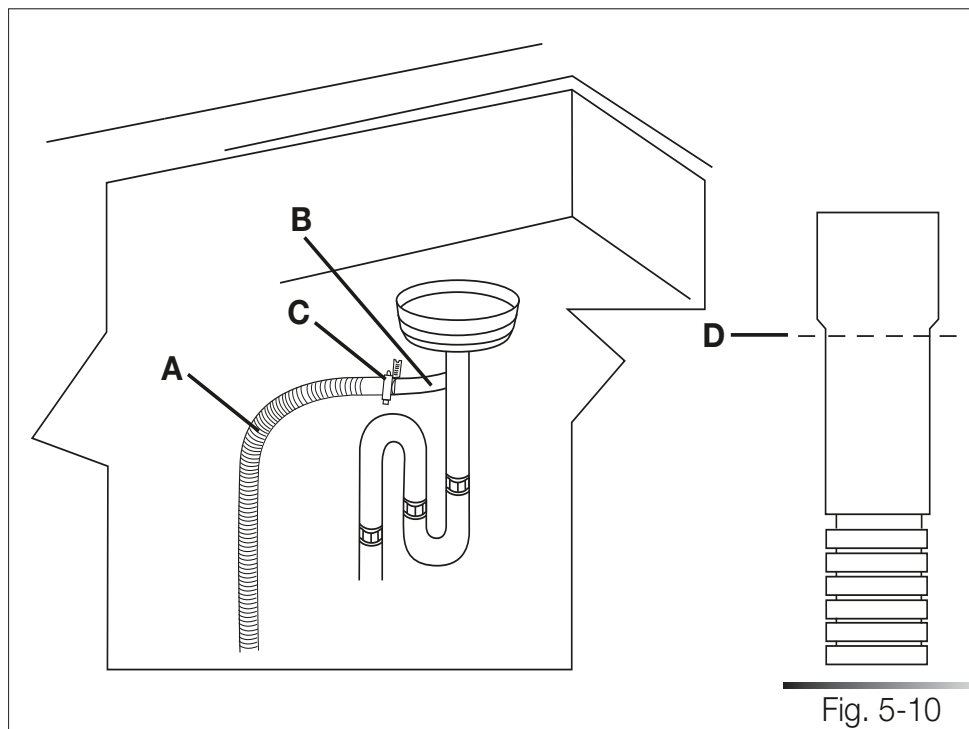


**Connecting to a "T" union of the drain circuit**

MAKE THE CONNECTION UPLINE FROM THE SIPHON OF THE DRAIN LINE AND AT LEAST 400 mm (15-3/4") ABOVE THE FLOOR ON WHICH THE DISHWASHER WILL BE INSTALLED.

1. Connect the dishwasher drain hose (ref. A fig. 5-10) to the "T" union (ref. B fig. 5-10) of the drain circuit using a 38 to 50 mm (1-1/2 to 2") screw clamp\* (ref. C fig. 5-10); if necessary, cut the end of the dishwasher drain hose (ref. D fig. 5-10) (do not cut the corrugated section).

\* Available from any plumbing stockist



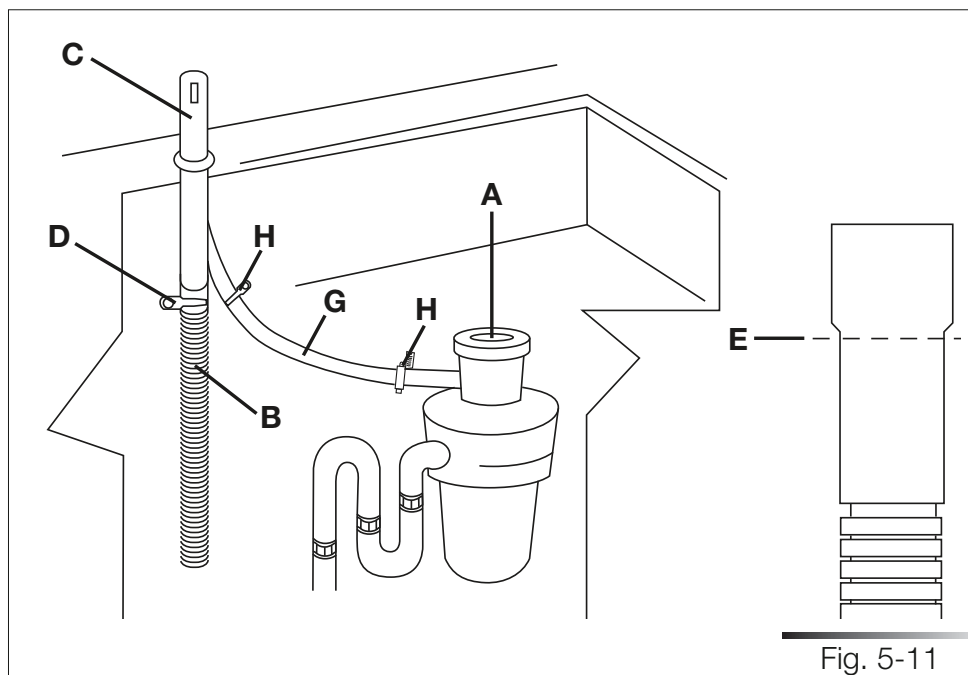
## Connecting to a waste disposal unit with an air gap



*MAKE THE CONNECTION UPLINE FROM THE SIPHON OF THE DRAIN LINE AND AT LEAST 400 mm (15-3/4") ABOVE THE FLOOR ON WHICH THE DISHWASHER WILL BE INSTALLED.*

- 1.** Remove the cover of the waste disposal unit (ref. A fig. 5-11).
- 2.** Connect the dishwasher drain hose (ref. B fig. 5-11) to the air gap (ref. C fig. 5-11) using the wide spring clamp (ref. D fig. 5-11); if necessary, cut the end of the dishwasher drain hose (ref. E fig. 5-12) (do not cut the corrugated section). If the drain hose has been cut, use a 38 to 50 mm (1-1/2 to 2") screw clamp\*.
- 3.** To connect the air gap (ref. C fig. 5-11) to the waste disposal unit inlet (ref. F fig. 5-11), use a rubber union\* (ref. G fig. 5-11) with spring or screw clamps\* (ref. H fig. 5-11).

\* Available from any plumbing stockist

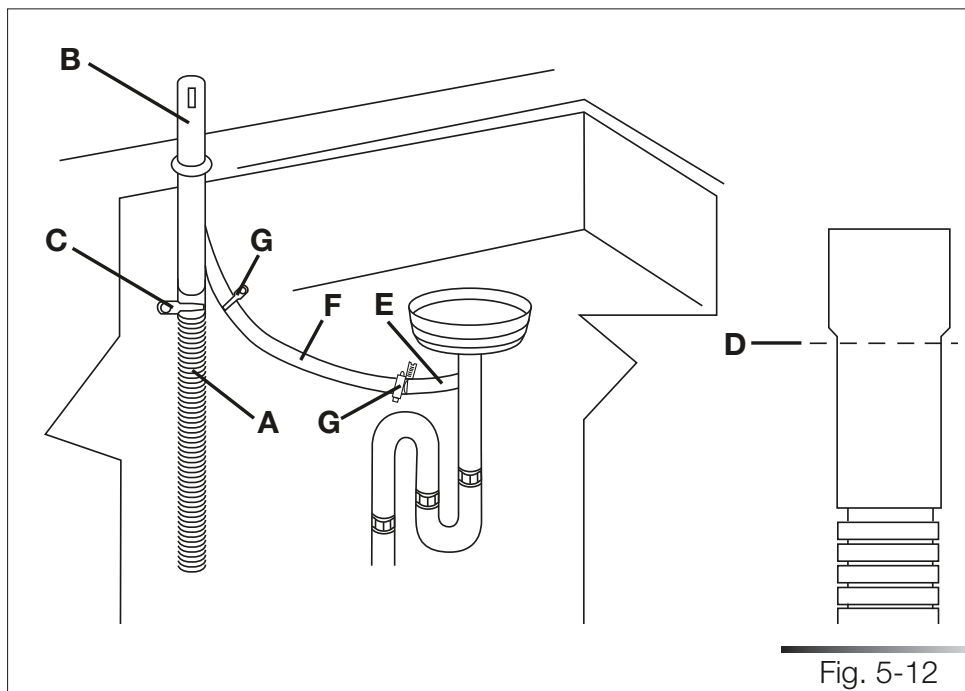


**Connecting to the air gap (no waste disposal unit)**

MAKE THE CONNECTION UPLINE FROM THE SIPHON OF THE DRAIN LINE AND AT LEAST 400 mm (15-3/4") ABOVE THE FLOOR ON WHICH THE DISHWASHER WILL BE INSTALLED.

1. Connect the dishwasher drain hose (ref. A fig. 5-12) to the air gap (ref. B fig. 5-12) using the wide spring clamp (ref. C fig. 5-12); if necessary, cut the end of the dishwasher drain hose (ref. D fig. 5-12) (do not cut the corrugated section). If the drain hose has been cut, use a 38 to 50 mm (1-1/2 to 2") screw clamp\*.
2. To connect the air gap (ref. B fig. 5-12) to the "T" union (ref. E fig. 5-12) of the drain line, use a rubber union\* (ref. F fig. 5-12) with spring or screw clamps\* (ref. G fig. 5-12).

\* Available from any plumbing stockist

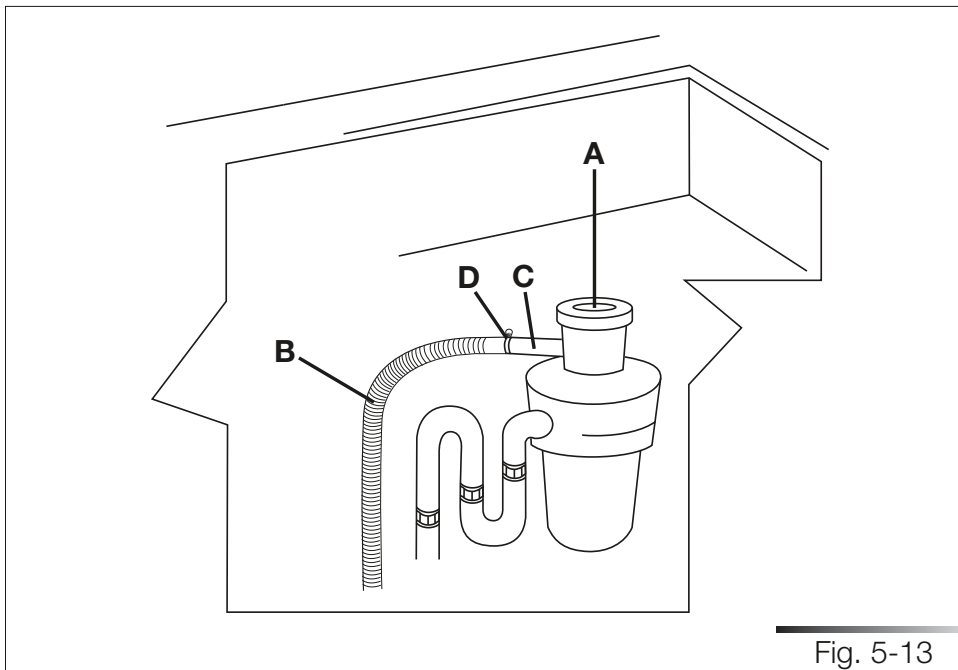


## Connecting to a waste disposal unit (no air gap)



MAKE THE CONNECTION UPLINE FROM THE SIPHON OF THE DRAIN LINE AND AT LEAST 400 mm (15-3/4") ABOVE THE FLOOR ON WHICH THE DISHWASHER WILL BE INSTALLED.

1. Remove the cover of the waste disposal unit (ref. A fig. 5-13).
2. Connect the dishwasher drain hose (ref. B fig. 5-13) to the waste disposal unit inlet (ref. C fig. 5-13), using the wide spring clamp (ref. D fig. 5-13).



### 5.2.2 **Electrical connections and warnings**



CHECK THAT THE VOLTAGE AND THE FREQUENCY OF THE MAINS MATCH THE RATINGS ON THE NAME PLATE OF THE APPLIANCE POSITIONED ON THE INNER EDGE OF THE DOOR.



**IN THE EVENT OF DAMAGE TO THE SUPPLY CORD, HAVE IT REPLACED BY THE MANUFACTURER OR AN AUTHORIZED TECHNICAL SERVICE CENTRE.**

THIS APPLIANCE MUST BE GROUNDED. IN CASE OF A MALFUNCTION OF FAULT, THE GROUND REDUCES THE RISK OF ELECTROCUTION BY PROVIDING THE ELECTRICAL CURRENT WITH AN ALTERNATIVE, LESS RESISTANT PATH.

### **Grounding instructions**



THIS APPLIANCE MUST BE GROUNDED. IN CASE OF A MALFUNCTION OF FAULT, THE GROUND REDUCES THE RISK OF ELECTROCUTION BY PROVIDING THE ELECTRICAL CURRENT WITH AN ALTERNATIVE, LESS RESISTANT PATH. THIS APPLIANCE IS FITTED WITH A SUPPLY CORD CONTAINING A GROUND WIRE AND PLUG. FIT THE PLUG INTO A SUITABLE SOCKET, INSTALLED AND GROUNDED IN COMPLIANCE WITH THE LAWS IN FORCE IN THE COUNTRY OF INSTALLATION.



**BEFORE MAKING ELECTRICAL CONNECTIONS, DISCONNECT THE MAINS POWER SUPPLY FROM THE WORK AREA.**

This appliance is fitted with a cord with ground wire and plug. Fit the plug into a suitable socket, installed and grounded in compliance with the laws in force in the country of installation.



CHECK THAT THE MAINS SUPPLY IN THE PLACE OF INSTALLATION COMPLIES WITH THE REGULATIONS IN FORCE IN THE COUNTRY OF USE, AND THAT IT IS CORRECTLY GROUNDED.



WARNING AN INCORRECTLY CONNECTED GROUND WIRE MAY GENERATE THE RISK OF ELECTROCUTION. IF IN DOUBT AS TO THE CORRECT GROUNDING OF THE APPLIANCE, CALL IN A QUALIFIED ELECTRICIAN OR THE TECHNICAL ASSISTANCE SERVICE. DO NOT CHANGE THE PLUG ATTACHED TO THE APPLIANCE.



*IF THE PLUG IS NOT SUITABLE FOR THE SOCKET, CALL IN A QUALIFIED ELECTRICIAN TO FIT A SUITABLE PLUG.*

The plug at the end of the power cord and the corresponding socket must be of the same type and must conform to current regulations governing electrical appliances. The plug must be accessible after installation. **Never remove the plug by pulling on the wire.** If the power cord is damaged, have it replaced by the manufacturer or an authorized service centre.



*DO NOT USE EXTENSION CORDS, ADAPTORS OR SHUNT CONNECTIONS IN ORDER TO AVOID THE POSSIBILITY OF OVERHEATING OR BURNING, WITH CONSEQUENT FIRE HAZARD.*



*IN THE EVENT OF DAMAGE TO THE SUPPLY CORD, HAVE IT REPLACED BY THE MANUFACTURER OR AN AUTHORIZED TECHNICAL SERVICE CENTRE IN ORDER TO AVOID ANY RISK.*

## 5.3 Commissioning

### 5.3.1 Installation procedure

Clean the underneath of the worktop lying over the dishwasher door (see fig. 5-14) and apply the steam guard, as shown in fig. 5-15 (see fig. 5-15 if the adhesive guard is applied; see fig. 5-16 if the steel guard is applied). This guard protects the worktop from steam and condensation when the door of the dishwasher is opened at the end of the washing cycle.

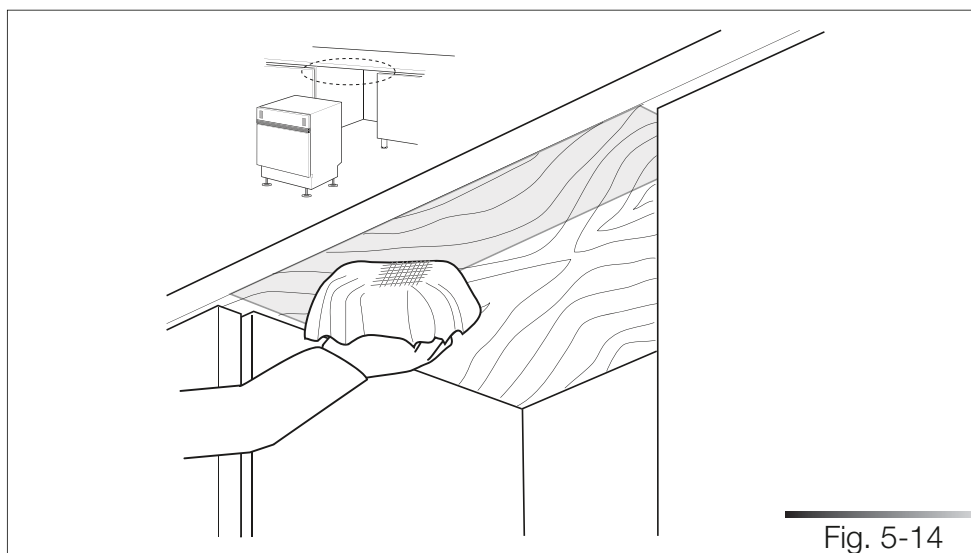
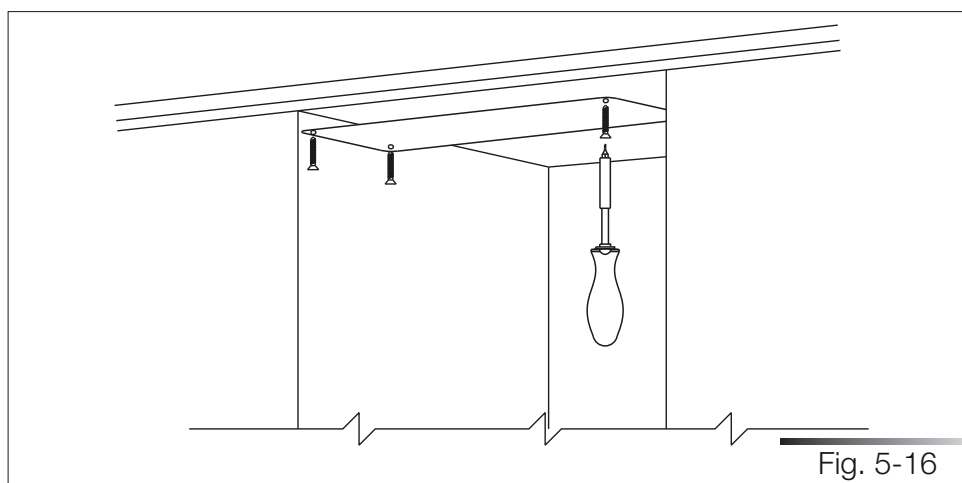
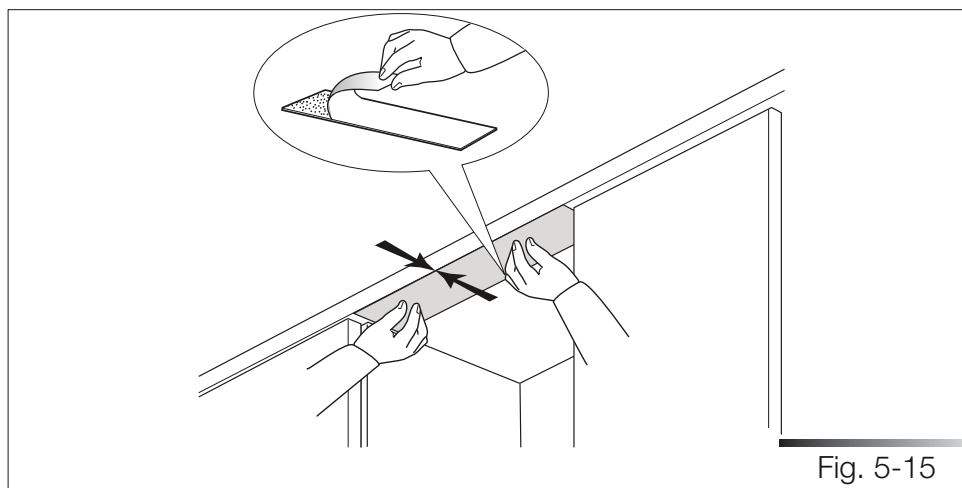


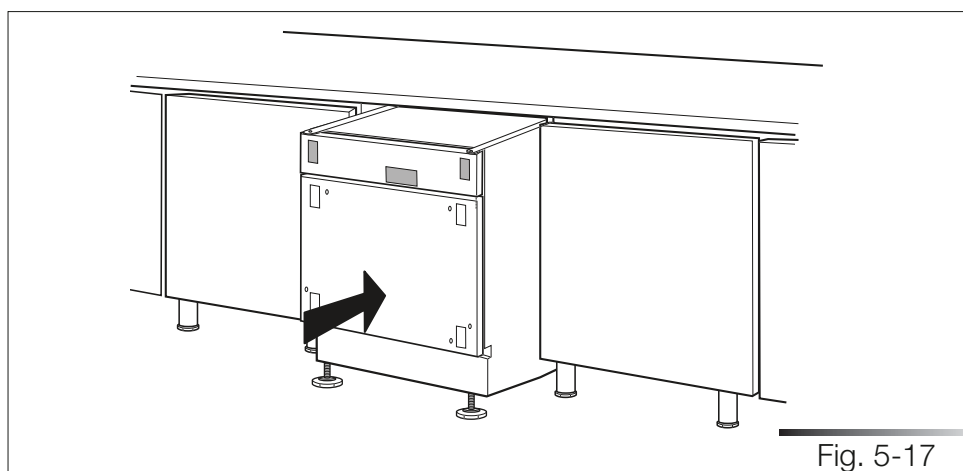
Fig. 5-14



Push the dishwasher into position, taking care not to twist or crush the power cord or hoses (see fig. 5-17).



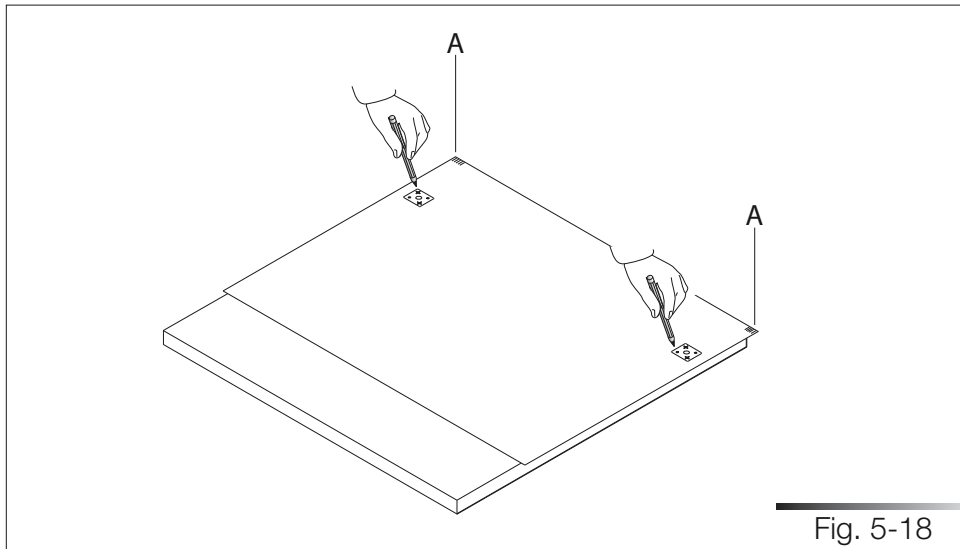
*TWO PEOPLE WEARING SAFETY GLOVES ARE NEEDED TO PUSH THE DISHWASHER INTO PLACE.*



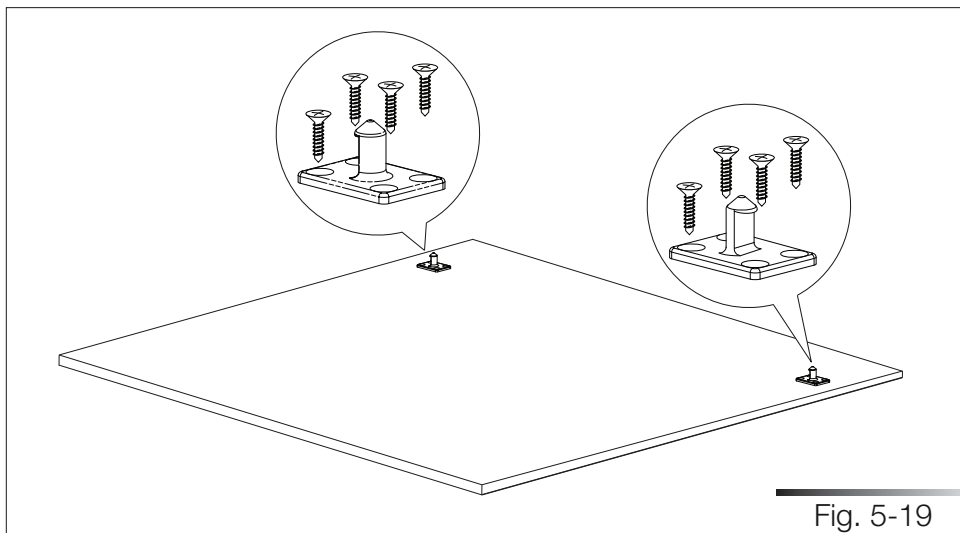
## 5.3.2 Procedure for mounting the door panel (only F6DW24FI1 model)

Mount the door panel.

Place the template on the inner surface of the panel, centering it along the upper side and matching up the reference locators (ref. A fig. 5-18); mark the position of the door hooks with a pencil (see fig. 5-18). Remove the template and use a drill with a suitable bit to make holes at the points marked on the panel.

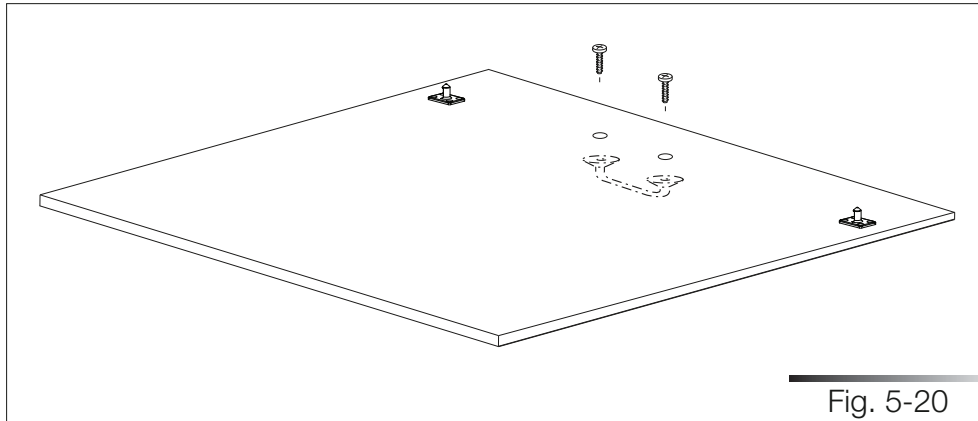


Use the screwdriver to secure the door hooks with the 8 supplied screws (see fig. 5-19) at the marked reference points.

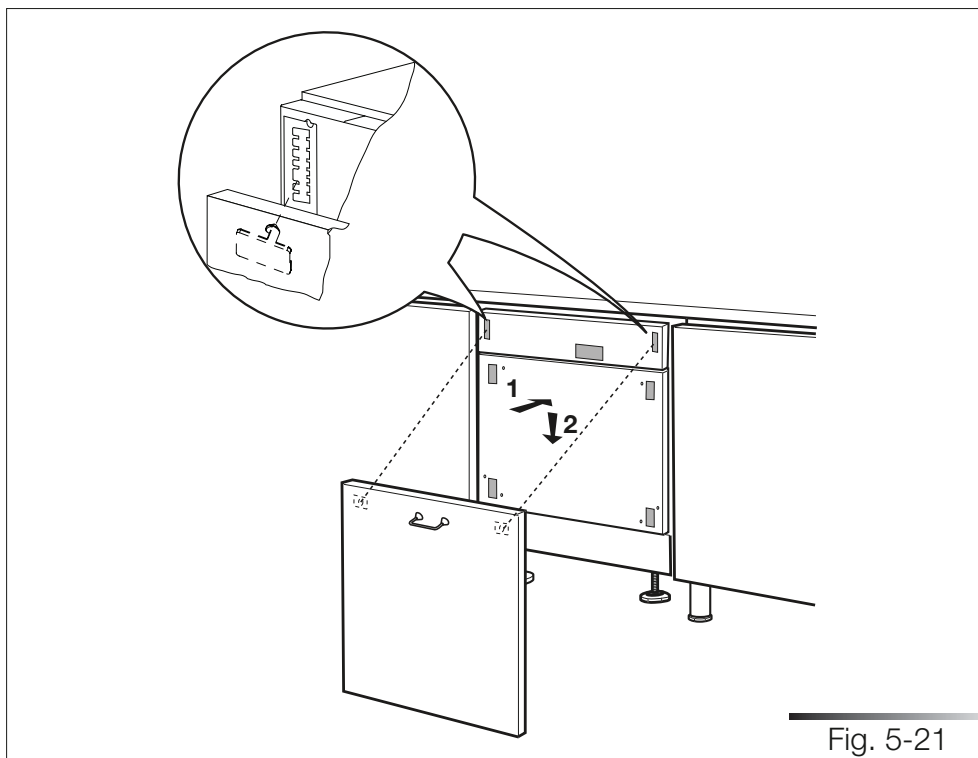


Drill holes for the panel handle using a drill with a suitable bit. Use the screwdriver to secure the door handle before hooking the panel to the dishwasher (see fig. 5-20).

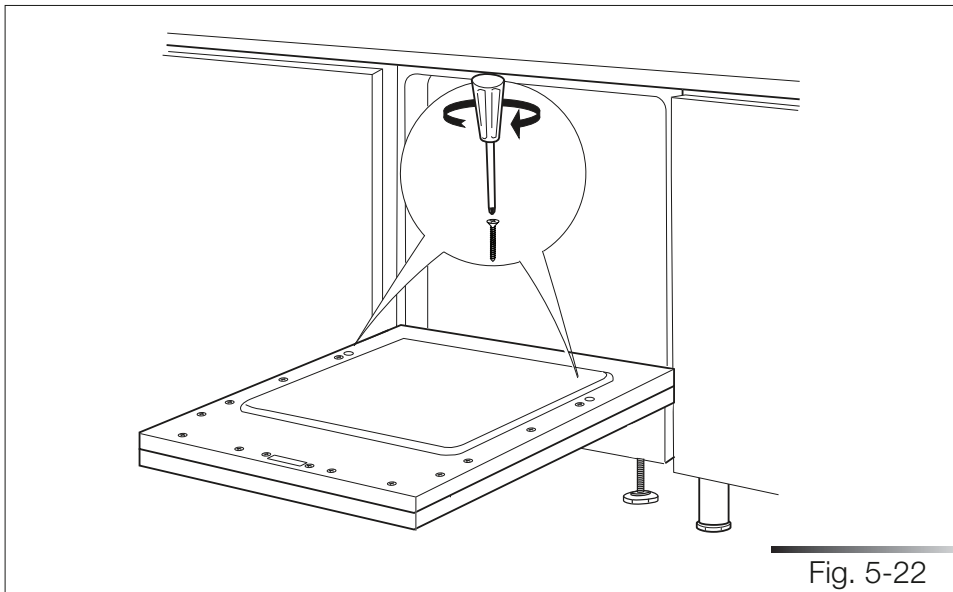
**N.B.:** the screws are not supplied.



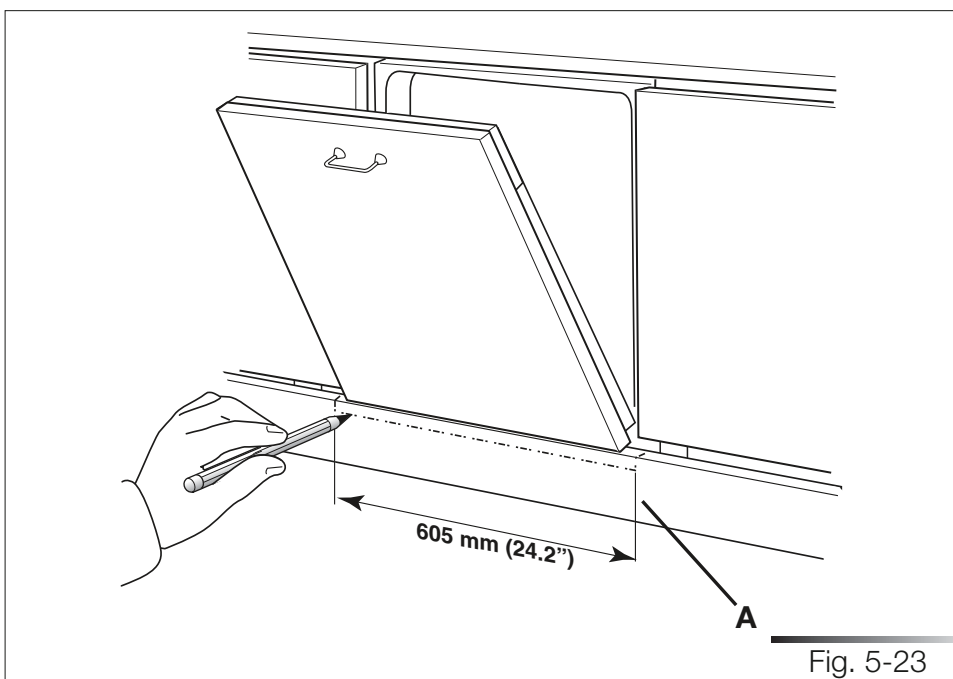
Attach the door panel: fit the hooks into their slots on the dishwasher and allow the panel to slide downwards and slip in to place (see fig. 5-21).



Secure the door to the panel with the supplied screws. The panel must have a minimum thickness of 20 mm (25/32") (see fig. 5-22).



Make sure the dishwasher door, complete with panel, opens comfortably and that the base plate (ref. A fig. 5-23) does not prevent it from opening fully. If the base plate prevents the door from opening, mark out the section to remove (see fig. 5-23), take out the base plate and cut it along the marking using a compass saw (see fig. 5-24).



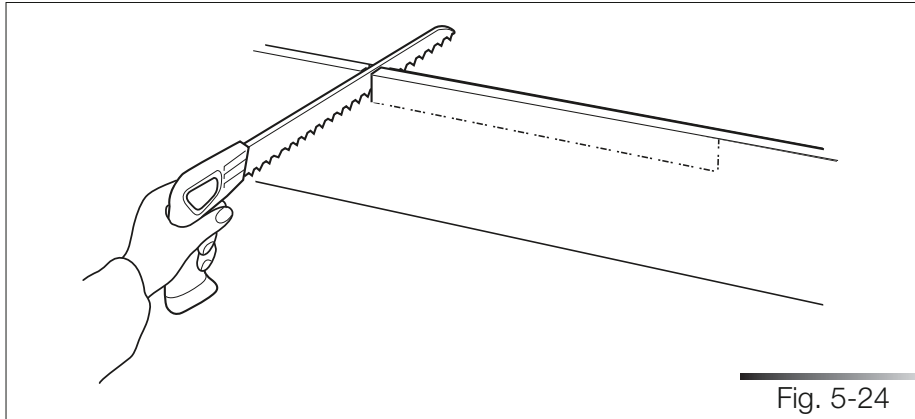


Fig. 5-24

### 5.3.3 Completion of installation

Finish the cut with a file (see fig. 5-25) in order to remove any burrs and/or imperfections. Put back the base plate (see fig. 5-26) and try to open the dishwasher door fully; if the base plate still obstructs the door, repeat the above operations.

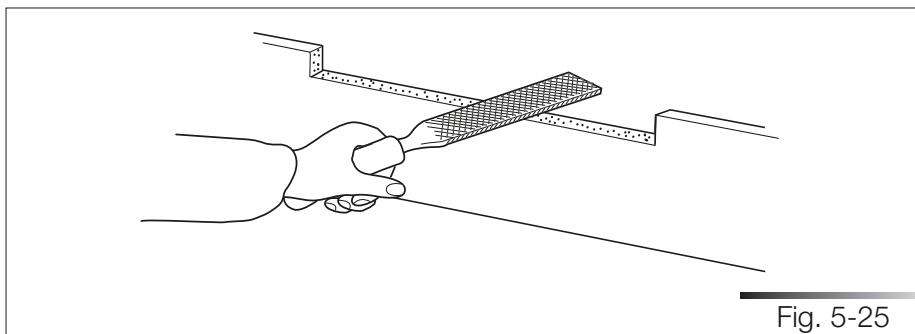


Fig. 5-25

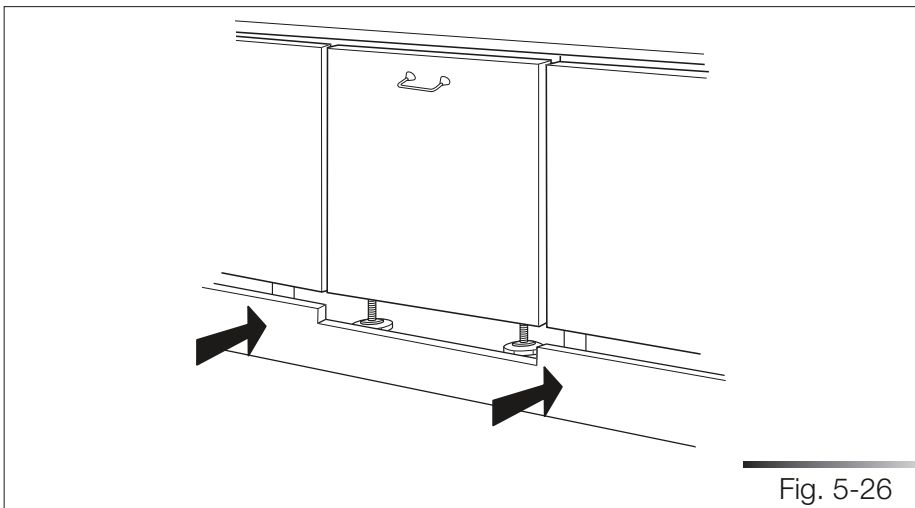
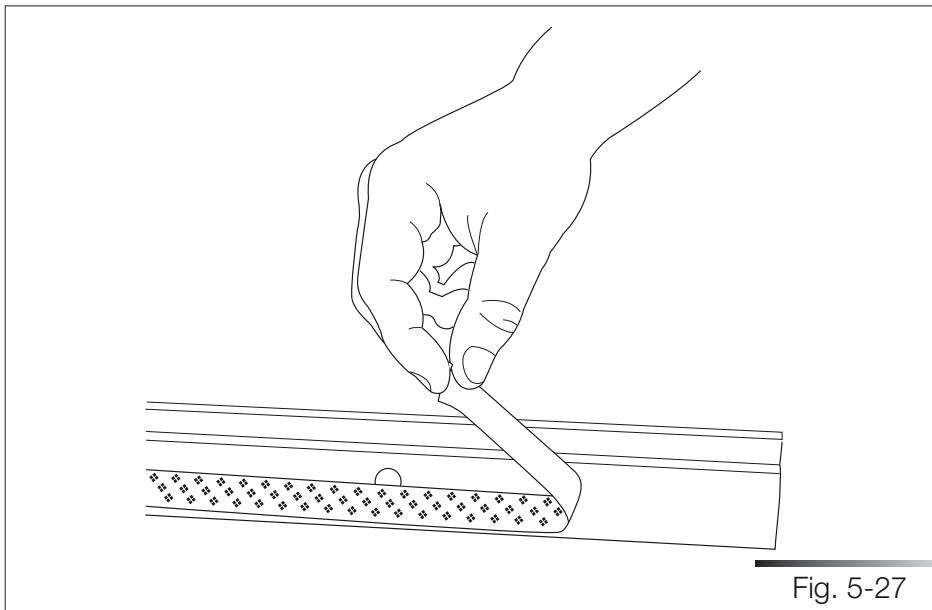


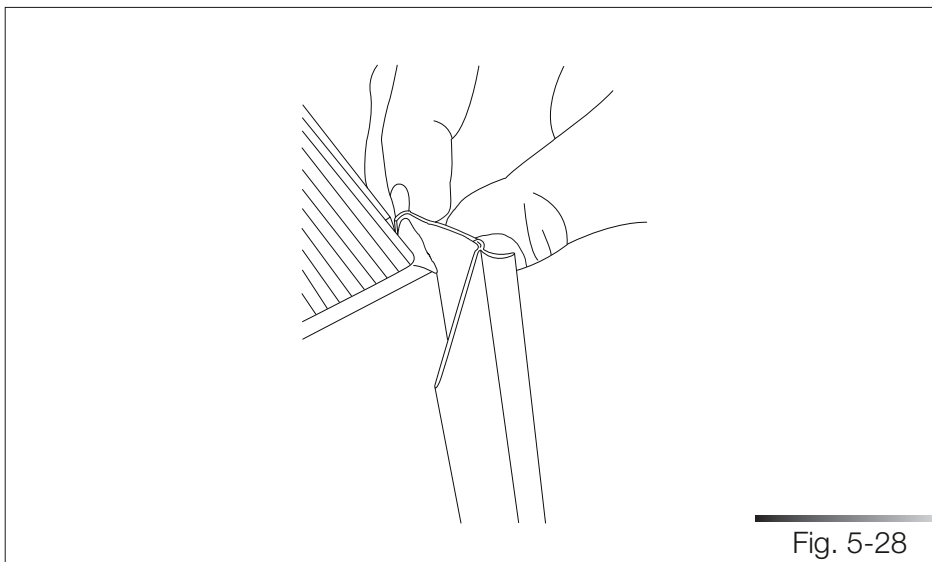
Fig. 5-26

Before securing the dishwasher to the adjacent units, attach the gaskets to the sides.

Remove the adhesive band on the gasket (see fig. 5-27).



Fix the gasket to the dishwasher, inserting it in the seat on the sides towards the front (see fig. 5-28), and making sure that the long side of the gasket, the one with the hole for inserting the screw, is attached to the outside of the dishwasher; the hole in the long side must match the hole in the dishwasher (see ref. A fig. 5-29). Make sure the gasket adheres perfectly to the dishwasher.



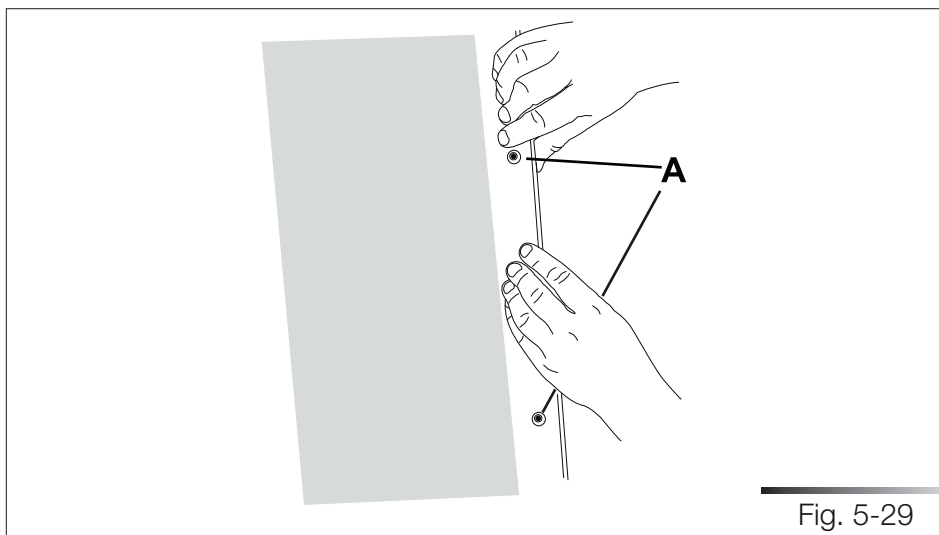
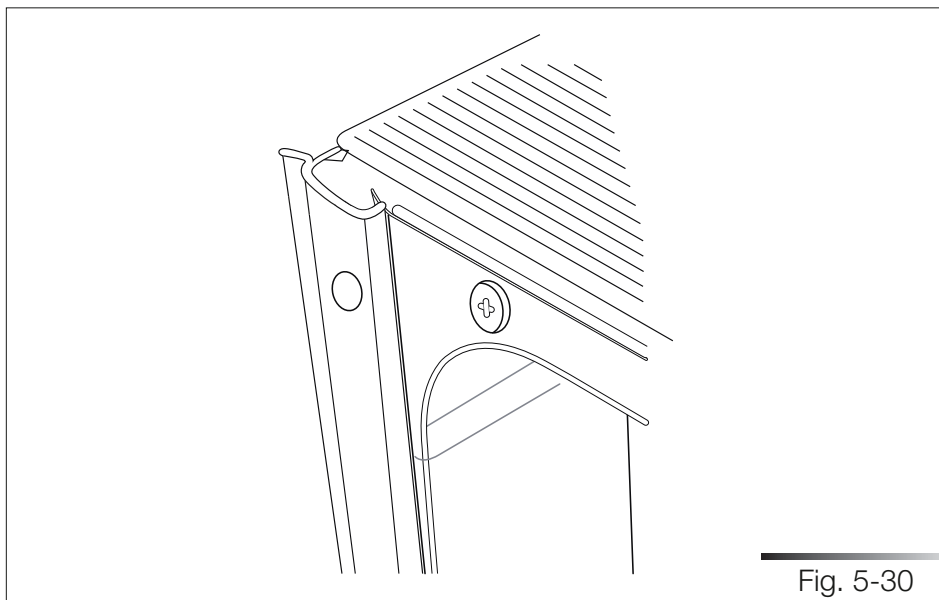


Fig. 5-30 shows the state of the dishwasher after the above operations are performed.



Tighten the supplied screws with a screwdriver; this operation definitively fixes the dishwasher to the adjacent units; cover the side holes using the supplied plugs (ref. A fig. 5-31).



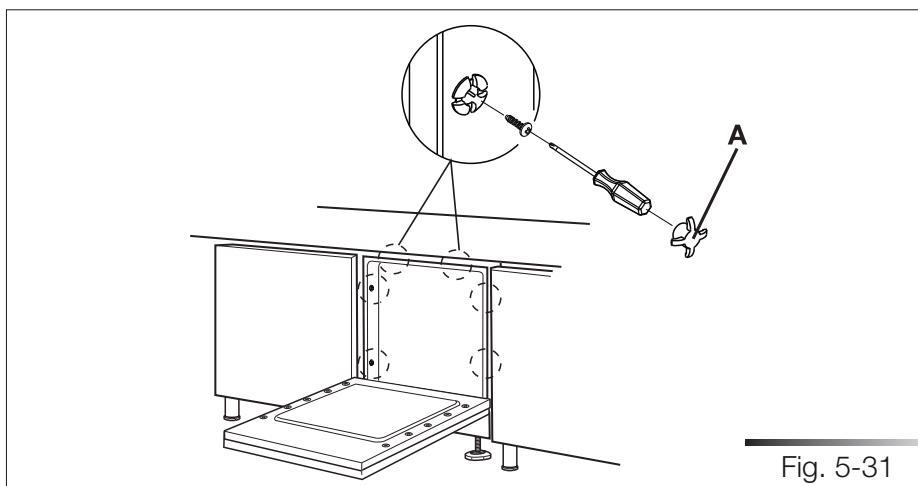


Fig. 5-31

## 5.4 Testing

After installation, test the dishwasher by starting a work cycle. Check for leaks and make sure the appliance does not malfunction.



## Sommaire

1	INTRODUCTION .....	3
2	AVERTISSEMENTS SUR LA SÉCURITÉ.....	5
3	MATÉRIEL NÉCESSAIRE POUR L'INSTALLATION .....	8
3.1	Kit fourni avec le lave-vaisselle.....	9
4	DIMENSIONS LAVE-VAISSELLE .....	10
5	INSTRUCTIONS POUR L'INSTALLATION ET LA POSE .....	11
5.1	Mise de niveau .....	12
5.1.2	Mise de niveau de l'appareil .....	12
5.2	Réalisation des branchements.....	13
5.2.1	Raccordement au réseau hydrique.....	14
5.2.1.1	Raccordement à la prise d'eau.....	15
5.2.1.2	Raccordement du tuyau d'évacuation .....	17
5.2.2	Branchement électrique et avertissements .....	22
5.3	Pose du lave-vaisselle .....	23
5.3.1	Procédure de pose du lave-vaisselle .....	23
5.3.2	Procédure de montage panneau de la porte .....	25
5.3.3	Achèvement de la pose du lave-vaisselle.....	28
5.4	Essai .....	31



# 1 INTRODUCTION

*Nous vous remercions d'avoir choisi l'un de nos produits. Pour connaître les conditions les plus appropriées pour une utilisation correcte et sûre du lave-vaisselle, lisez attentivement les instructions de ce manuel. Les paragraphes sont organisés rationnellement, de façon à proposer pas à pas les instructions pour installer l'appareil. Les textes sont facilement compréhensibles et sont illustrés par des images détaillées. Ce manuel, d'une consultation facile, est conçu pour offrir des réponses aux questions qui peuvent surgir au sujet de l'installation du lave-vaisselle.*

## **Le manuel comprend les sections suivantes :**

*INTRODUCTION : cette section contient des informations générales concernant le manuel.*




*AVERTISSEMENTS : cette section contient une série d'avertissements concernant la sécurité lors de l'installation du lave-vaisselle.*

*INSTRUCTIONS POUR L'INSTALLATEUR : elles sont destinées au **technicien qualifié** qui doit effectuer l'installation, la mise en service et l'essai de l'appareil.*

## **Nomenclature des figures et des tableaux :**

*l'encadré qui contient les figures reporte, en bas sur la droite, la numérotation progressive de celles-ci. Un exemple de numérotation est "Fig. 4-01", où le premier chiffre (4) correspond au chapitre d'appartenance de la figure, tandis que le deuxième chiffre (01) correspond au numéro progressif de la figure au sein du chapitre 4 (dans l'exemple, la Fig. 4-01 correspond à la première figure du chapitre 4). La numérotation des tableaux suit le même principe avec, au lieu de "Fig. ", la notation "Tab." (par ex. Tab. 4-01 correspond au premier tableau du chapitre 4). Si un même tableau occupe plusieurs pages, une lettre est ajoutée après le chiffre progressif (par ex. "Tab. 4-01a", Tab. 4-01b").*

**Symboles utilisés dans ce manuel** (voir tab. 1-01)

	<b>DANGER.</b> Ce symbole indique des informations et avertissements qui doivent impérativement être respectés pour ne pas compromettre la sécurité des personnes ou endommager l'appareil.
	<b>DANGER ÉLECTRIQUE.</b> Ce symbole indique des informations et avertissements concernant les circuits électriques qui doivent impérativement être respectés pour ne pas compromettre la sécurité des personnes ou endommager l'appareil.
	Ce symbole indique des informations et avertissements de caractère général.
Tab. 1-01	

## 2 AVERTISSEMENTS SUR LA SÉCURITÉ



CE MODE D'EMPLOI EST PARTIE INTÉGRANTE DE L'APPAREIL: IL FAUT TOUJOURS LE CONSERVER INTACT PRÈS DE L'APPAREIL. AVANT L'UTILISATION, NOUS CONSEILLONS UNE LECTURE ATTENTIVE DE TOUTES LES INDICATIONS QU'IL CONTIENT. L'INSTALLATION DEVRA ÊTRE EFFECTUÉE PAR UN PERSONNEL QUALIFIÉ ET CONFORMÉMENT AUX NORMES EN VIGUEUR. CET APPAREIL EST PRÉVU POUR UNE UTILISATION DE TYPE DOMESTIQUE ET POUR TOUTE AUTRE APPLICATION DU MÊME GENRE, PAR EXEMPLE, POUR LE PERSONNEL DANS LA CUISINE DES BOUTIQUES, BUREAUX ET AUTRES LIEUX DE TRAVAIL, DANS LES COMMUNAUTÉS, POUR LES CLIENTS DANS LES HÔTELS, AUBERGES, BED AND BREAKFAST ET TOUTE AUTRE STRUCTURE RÉSIDENTIELLE. IL RÉPOND AUX **DIRECTIVES 2006/95/CE ET 2004/108/CE** ACTUELLEMENT EN VIGUEUR, Y COMPRIS LA PRÉVENTION ET L'ÉLIMINATION DES BROUILLAGES. L'APPAREIL EST CONSTRUIT POUR EXERCER LA FONCTION SUIVANTE: **LAVAGE ET SÉCHAGE DE LA VAISSELLE**; TOUT AUTRE EMPLOI EST À CONSIDÉRER COMME ÉTANT IMPROPRE. **LE CONSTRUCTEUR DÉCLINE TOUTE RESPONSABILITÉ POUR DES EMPLOIS DIFFÉRENTS DE CEUX ÉTANT INDIQUÉS.**



**L'INSTALLATION ET LES INTERVENTIONS DE RÉPARATION OU ASSISTANCE DOIVENT ÊTRE EXÉCUTÉES PAR DU PERSONNEL TECHNIQUE QUALIFIÉ ET AUTORISÉ.** LES INTERVENTIONS EXÉCUTÉES PAR DU PERSONNEL NON AUTORISÉ PEUVENT ÊTRE DANGEREUSES ET, DE PLUS, COMPORTENT LA PERTE DE LA GARANTIE. L'INSTALLATION DOIT ÊTRE EXÉCUTÉE CONFORMÉMENT AUX DIRECTIVES DU PAYS D'INSTALLATION DU LAVE-VAISSELLE ET, À DÉFAUT DE CELLES-CI : AUX ÉTATS-UNIS, LE NATIONAL ELECTRIC CODE ; AU CANADA, LE CANADIAN ELECTRIC CODE C22.1 - LATEST EDITION/PROVINCIAL AND MUNICIPAL CODES AND/OR LOCAL CODES.



LA PLAQUE D'IDENTIFICATION, AVEC LES DONNÉES TECHNIQUES, LE NUMÉRO DE MATRICULE ET LE MARQUAGE, EST POSITIONNÉE DE FAÇON VISIBLE SUR LE BORD INTERNE DE LA PORTE DU LAVE-VAISSELLE. **LA PLAQUE D'IDENTIFICATION SITUÉE SUR LE BORD INTERNE DE LA PORTE NE DOIT JAMAIS ÊTRE ENLEVÉE.**



L'APPAREIL N'EST PAS ADAPTÉ POUR UNE UTILISATION MARI-TIME OU MOBILE COMME, PAR EXEMPLE, SUR DES CAMPING-CARS OU BATEAUX. LES LAVE-VAISSELLE CERTIFIÉS POUR UN USAGE DOMESTIQUE NE SONT PAS DESTINÉS AUX ÉTABLISSEMENTS ALIMENTAIRES AUTORISÉS.



CONTRÔLER QUE LA TENSION, LA FRÉQUENCE ET LA SENSIBILITÉ DE PROTECTION DE L'INSTALLATION ÉLECTRIQUE GÉNÉRALE CORRESPONDENT AUX INDICATIONS REPORTÉES SUR LA PLAQUE D'IDENTIFICATION DE L'APPAREIL.



**DEUX PERSONNES SONT NÉCESSAIRES POUR SOULEVER LE LAVE-VAISSELLE. ELLES DOIVENT METTRE DES GANTS DE SÉCURITÉ POUR EXÉCUTER CETTE OPÉRATION.**



NE PAS LAISSER DES RÉSIDUS D'EMBALLAGE SANS SURVEILLANCE DANS L'HABITATION. SÉPARER LES DIFFÉRENTS MATÉRIAUX DE L'EMBALLAGE À JETER ET LES APPORTER DANS LE CENTRE DE COLLECTE SÉLECTIVE LE PLUS PROCHE. LES RÉSIDUS D'EMBALLAGE NE DOIVENT PAS ÊTRE LAISSÉS À LA PORTÉE DES ENFANTS, DE PERSONNES AYANT DES CAPACITÉS PHYSIQUES ET/OU MENTALES RÉDUITES OU DES ANIMAUX AFIN D'ÉVITER LE RISQUE D'ASPHYXIE.



AVANT DE PROCÉDER À L'INSTALLATION, COUPER L'ALIMENTATION ÉLECTRIQUE DANS LA ZONE D'INSTALLATION.



PENDANT L'INSTALLATION, FAIRE ATTENTION AUX BORDS TRANCHANTS SUR LE LAVE-VAISSELLE ; POUR ÉVITER DE SE BLESSER, METTRE DES GANTS DE SÉCURITÉ.



LA MISE À LA TERRE CONFORMÉMENT AUX MODALITÉS PRÉVUES PAR LES NORMES DE SÉCURITÉ DE L'INSTALLATION ÉLECTRIQUE EST OBLIGATOIRE. EN CAS DE DOUTE, FAIRE CONTRÔLER L'INSTALLATION PAR UN ÉLECTRICIEN QUALIFIÉ.  
**LE FABRICANT DÉCLINE TOUTE RESPONSABILITÉ POUR LES ÉVENTUELS DOMMAGES AUX PERSONNES OU AUX CHOSES DÉRIVANT D'UNE MISE À LA TERRE NON EXÉCUTÉE OU DÉFECTUEUSE.**





NE PAS UTILISER DES APPAREILS ENDOMMAGÉS PAR LE TRANSPORT ! EN CAS DE DOUTE, CONSULTER LE REVENDEUR. L'APPAREIL DOIT ÊTRE INSTALLÉ ET BRANCHÉ CONFORMÉMENT AUX INSTRUCTIONS FOURNIES PAR LE FABRICANT OU PAR DU PERSONNEL QUALIFIÉ.



NE PAS METTRE EN MARCHÉ LE LAVE-VAISSELLE SI LES PANNEAUX QUI LE FERMENT NE SONT PAS TOUS POSITIONNÉS CORRECTEMENT.

IMMÉDIATEMENT APRÈS L'INSTALLATION, EFFECTUER UN BREF ESSAI DE L'APPAREIL EN SUIVANT LES INSTRUCTIONS REPOR- TÉES CI-APRÈS. EN CAS DE DÉFAUT DE FONCTIONNEMENT, DÉ- BRANCHER L'APPAREIL DU RÉSEAU ÉLECTRIQUE ET CONTACTER LE CENTRE SAV LE PLUS PROCHE. **NE PAS ESSAYER DE RÉPARER L'APPAREIL.**



NE PAS UTILISER DES PROLONGATEURS, ADAPTATEURS OU DÉRIVATEURS, CAR ILS PEUVENT PROVOQUER DES SUR- CHAUFFES OU DES COMBUSTIONS, EN ENTRAÎNANT DES RISQUES D'INCENDIE.



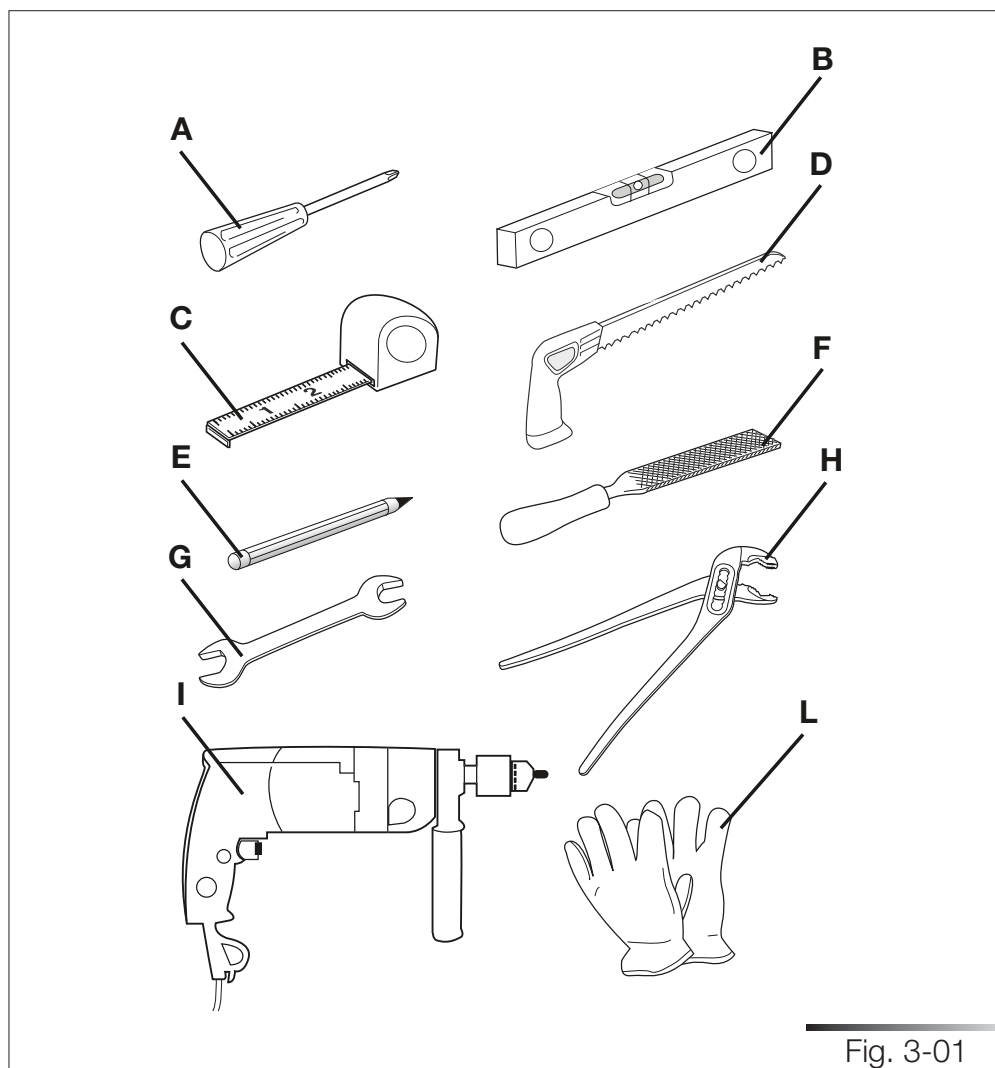
**LE FABRICANT DÉCLINE TOUTE RESPONSABILITÉ POUR LES DOMMAGES AUX PERSONNES, AUX CHOSES ET AUX ANIMAUX PROVOQUÉS PAR L'INOBSERVANCE DES PRES- CRIPTIONS SUSMENTIONNÉES OU DÉRIVANT DE LA MO- DIFICATION ABUSIVE, NE SERAIT-CE QUE D'UNE SEULE PARTIE, DE L'APPAREIL ET DE L'UTILISATION DE PIÈCES DE RECHANGE NON D'ORIGINE.**

**EN CAS DE DOUTES SUR LE CONTENU DU MANUEL, CONTACTER LE SERVICE APRÈS-VENTE.**

### 3 MATÉRIEL NÉCESSAIRE POUR L'INSTALLATION

Pour exécuter correctement l'installation du lave-vaisselle, il faut disposer du matériel suivant :

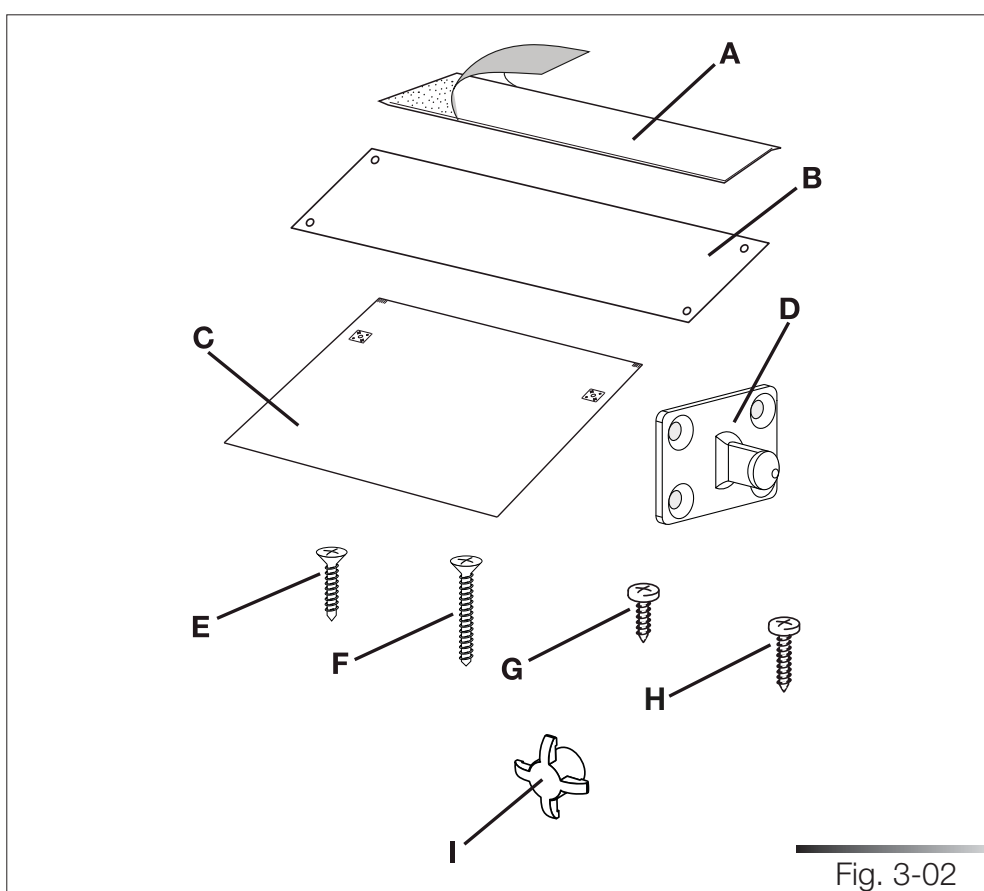
- tournevis à pointe cruciforme (réf. A fig. 3-01) ;
- niveau à bulle (réf. B fig. 3-01) ;
- mètre (réf. C fig. 3-01) ;
- scie (réf. D fig. 3-01) ;
- crayon (réf. E fig. 3-01) ;
- lime (réf. F fig. 3-01) ;
- clé à fourche de 13 mm (réf. G fig. 3-01) ;
- pince multiprises (réf. H fig. 3-01) ;
- perceuse (réf. I fig. 3-01) ;
- gants de sécurité (réf. L fig. 3-01).



### 3.1 Kit fourni avec le lave-vaisselle (C-D-E-F uniquement pour le modèle F6DW24FI1)

Le kit fourni avec le lave-vaisselle inclut ce qui suit:

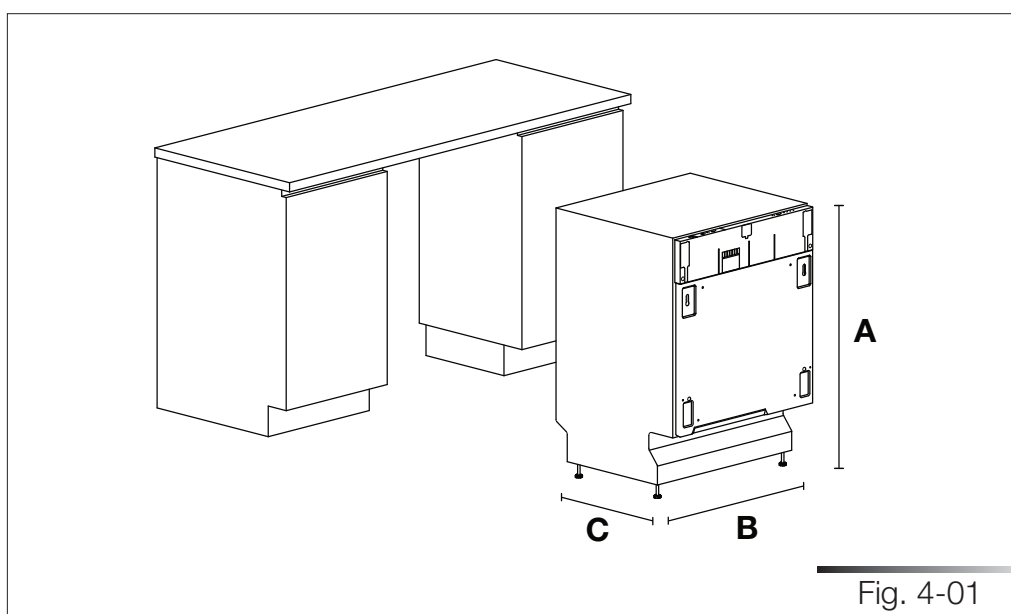
- 1 protection adhésive contre la vapeur (selon les modèles) (rep. A, fig. 3-02);
- 1 protection en acier contre la vapeur (selon les modèles) (rep. B, fig. 3-02);
- 1 gabarit de perçage pour panneau porte (rep. C, fig. 3-02);
- 2 crochets pour panneau porte (rep. D, fig. 3-02);
- 8 vis pour fixation crochets panneau porte (rep. E, fig. 3-02);
- 2 vis pour fixation porte (rep. F, fig. 3-02);
- 4 vis pour fixation aux parois adjacentes (rep. G, fig. 3-02);
- 2 vis fixation supérieure (rep. H, fig. 3-02);
- 2 cache-vis (rep. I, fig. 3-02);



\* La protection adhésive est en particulier adaptée pour les cuisines dont le plan de travail ne permet pas la fixation de la protection en acier avec des vis (par ex. marbre ou maçonnerie), mais elle peut être élégamment utilisée sur d'autres matériaux.

## 4 DIMENSIONS LAVE-VAISSELLE (Voir fig. 4-01)

Modèle	A (hauteur)	B (largeur)	C (profondeur)
F6DW24FI1	86 cm - 93 cm 33-14/16" - 36-10/16"	59,7 cm - 59,9 cm 23-1/2" - 23-5/8"	55 cm 21-5/8"
F6DW24SS1 F6PDW24SS1			57 cm 22-4/8"



## 5 INSTRUCTIONS POUR L'INSTALLATION ET LA POSE



*PENDANT L'INSTALLATION, POUR ÉVITER DE SE BLESSER, FAIRE ATTENTION AUX BORDS TRANCHANTS SUR LE LAVE-VAISSELLE.*

Enlever les cales en polystyrène qui bloquent les paniers. Positionner l'appareil dans le point d'installation. Le lave-vaisselle peut être posé avec les côtés ou le panneau arrière accolé aux meubles ou aux murs. Si l'on installe le lave-vaisselle près d'une source de chaleur, il faut interposer un panneau isolant thermique afin d'éviter des surchauffes et des anomalies de fonctionnement. Pour assurer leur stabilité, installer les appareils encastrables sous plan ou intégrables uniquement sous des plans de travail continus, en les vissant aux meubles adjacents ou au plan de travail de la cuisine.



*IL EST **FORMELLEMENT INTERDIT** D'ENCASTRER LE LAVE-VAISSELLE SOUS UNE TABLE DE CUISSON EN VITROCÉRAMIQUE. IL EST POSSIBLE D'ENCASTRER LE LAVE-VAISSELLE SOUS UNE TABLE DE CUISSON TRADITIONNELLE À CONDITION QUE LE PLAN DE TRAVAIL DE LA CUISINE SOIT **CONTINU** ET QUE LE LAVE-VAISSELLE ET LA TABLE DE CUISSON **SOIENT MONTÉS ET FIXÉS CORRECTEMENT**, DE FAÇON À N'ENTRAÎNER **AUCUN RISQUE**.*



***S'ASSURER QUE LE LAVE-VAISSELLE A ÉTÉ INSTALLÉ ET BRANCHÉ CORRECTEMENT À LA TERRE PAR UN TECHNICIEN QUALIFIÉ. LE RESPECT DE CETTE EXIGENCE DE SÉCURITÉ EST INDISPENSABLE. EN CAS DE DOUTE, S'ADRESSER À DU PERSONNEL QUALIFIÉ. LE FABRICANT DÉCLINE TOUTE RESPONSABILITÉ POUR LES ÉVENTUELS DOMMAGES AUX PERSONNES OU AUX CHOSES DÉRIVANT D'UNE MISE À LA TERRE NON EXÉCUTÉE OU DÉFECTUEUSE.***



***AVANT DE PROCÉDER À L'INSTALLATION, COUPER L'ALIMENTATION ÉLECTRIQUE DANS LA ZONE D'INSTALLATION.***

### **Uniquement pour les modèles pose libre**

- Il est formellement interdit de monter un plan de cuisson au-dessus d'un lave-vaisselle pose libre.

- Si l'appareil n'est pas inséré dans une niche et qu'il est donc accessible depuis un côté, il faut protéger la zone de la charnière de la porte pour des raisons de sécurité (risque de lésions). Les protecteurs sont disponibles comme accessoire auprès des revendeurs spécialisés ou du Service après-vente.
- Pour encastrer le lave-vaisselle, il faut acheter le **kit prévu à cet effet** auprès des revendeurs agréés ou du Service après-vente.

## 5.1 Mise de niveau

### 5.1.1 Mise de niveau de l'appareil

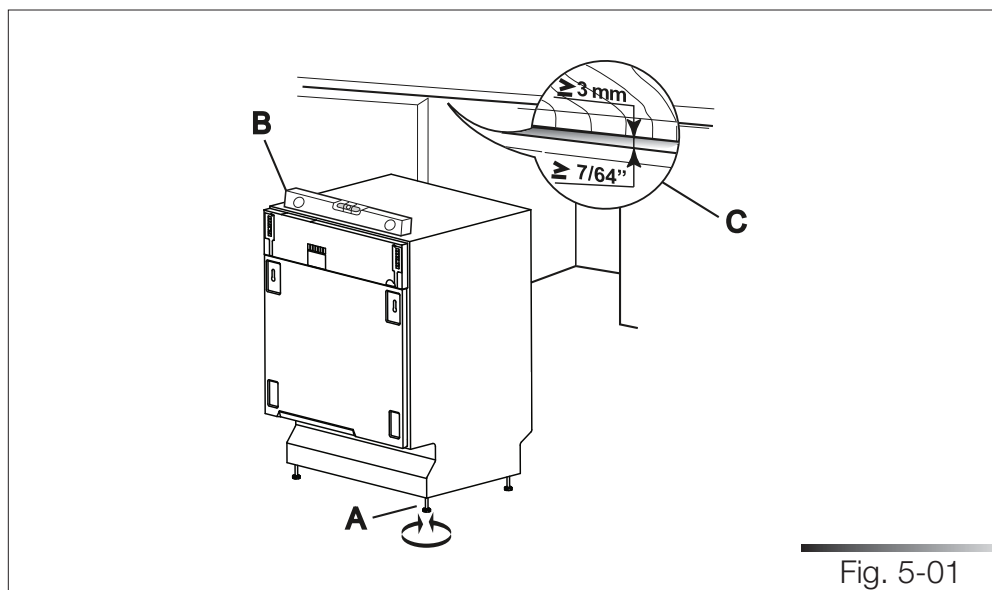
Mettre de niveau l'appareil par rapport au sol à l'aide des pieds réglables prévus à cet effet (ex. réf. A fig. 5-01). Pour ce faire, tourner la base d'appui des pieds en utilisant une clé à fourche jusqu'à obtenir la mise de niveau correcte du lave-vaisselle.

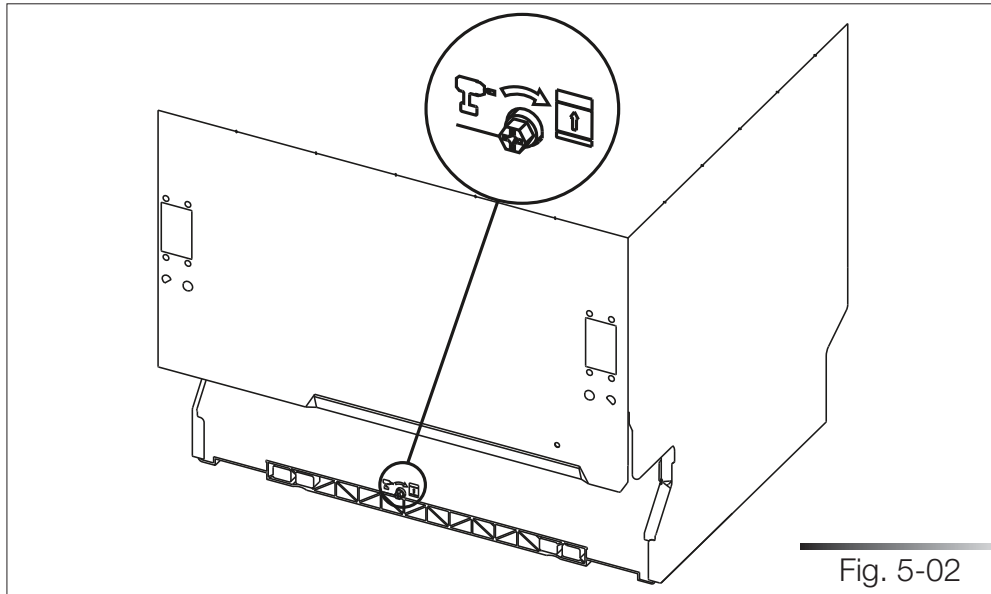
Certains modèles sont munis d'un seul pied arrière réglable à l'aide de la vis située en bas, sur la partie avant de l'appareil (rep. A, fig. 5-02) ; tourner, à l'aide d'un tournevis/visseuse à pointe cruciforme ou à embout 6 pans de 8 mm, la vis en question jusqu'à ce que le lave-vaisselle soit parfaitement à niveau.

Pour contrôler que l'appareil a été mis de niveau correctement, poser dessus un niveau à bulle (réf. B fig. 5-01).

Les opérations de mise de niveau sont indispensables pour assurer un fonctionnement correct du lave-vaisselle.

Veiller à laisser un espace d'au moins 3 mm (7/64") entre la partie supérieure du lave-vaisselle et le plan de travail (réf. C fig. 5-01).





## 5.2 Réalisation des branchements

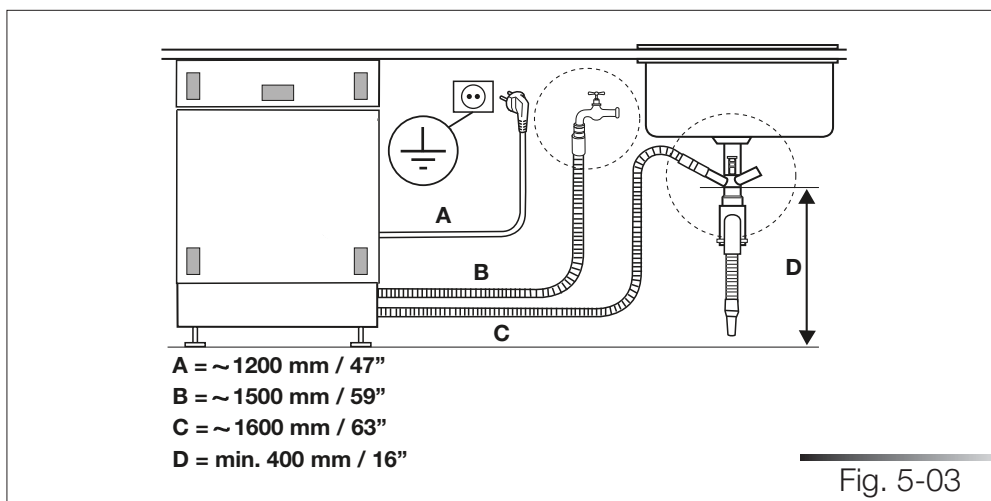
Le lave-vaisselle doit être installé de façon à ce que l'on puisse accéder aisément aux branchements électriques et hydrauliques depuis le meuble adjacent.

Ces branchements ne doivent en aucun cas être situés derrière le lave-vaisselle. Les tuyaux d'arrivée d'eau et d'évacuation peuvent être orientés dans toutes les directions ; s'assurer qu'ils ne sont pas pliés ni étranglés et qu'ils ne sont pas trop tendus. Veiller à serrer la bague de serrage après avoir orienté les tuyaux dans la direction désirée.

Les distances à respecter entre le lave-vaisselle et les différents branchements sont indiquées sur la figure 5-03.



**RISQUE D'INCENDIE !**  
NE PAS COUVRIR NI ÉCRASER LA FICHE DU CÂBLE ÉLECTRIQUE.



Pour le passage des tuyaux et du cordon d'alimentation, il faut réaliser un trou d'au moins 8 cm (5/32") de diamètre (réf. A fig. 5-04).

Veiller à ce qu'il n'y ait pas de bords rugueux qui peuvent endommager le cordon d'alimentation ou les tuyaux. Si le lave-vaisselle est installé dans une structure métallique, protéger le bord du trou de passage des tuyaux et du câble avec un joint. Ne pas utiliser de prolongateurs pour le branchement électrique, car ils ne garantissent pas la sécurité.



**ATTENTION !**

*QUAND ON INSTALLE LE LAVE-VAISSELLE DANS UN ESPACE ÉTROIT, ON RISQUE DE PLIER OU ÉCRASER LE CORDON D'ALIMENTATION. VEILLER EN PARTICULIER À LIMITER LES RISQUES D'ENDOMMAGER LE CORDON D'ALIMENTATION LORS DE L'INSTALLATION ET DE LA DÉPOSE DE L'ÉLECTROMÉNAGER.*

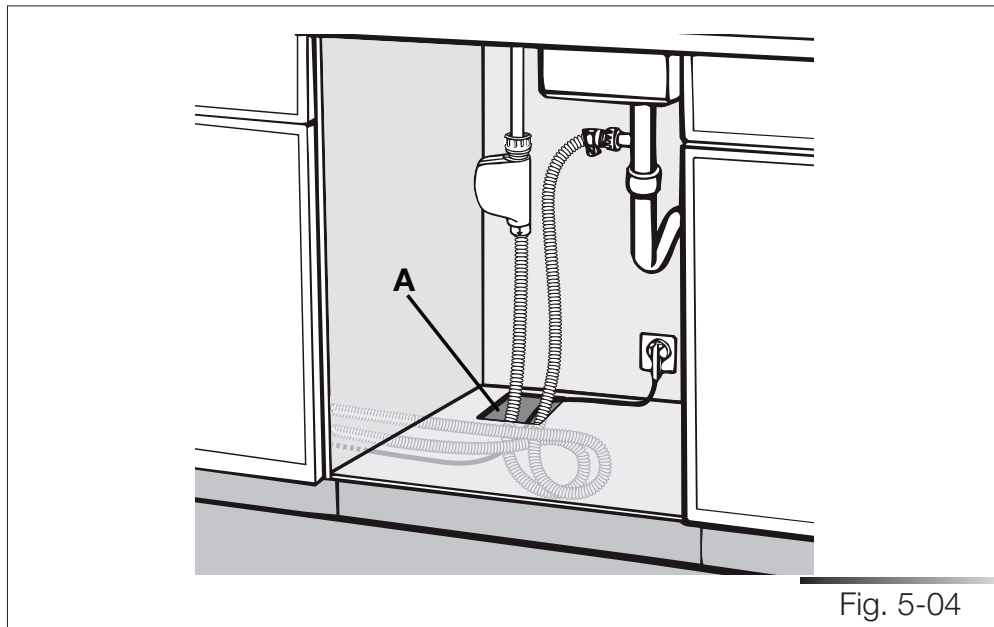


Fig. 5-04

### 5.2.1 Raccordement au réseau hydrique



**PRÉVENIR LES RISQUES D'ENGORGEMENT OU DE DOMMAGE :** SI LA TUYAUTERIE DE L'EAU EST NEUVE OU QU'ELLE EST RESTÉE INACTIVE PENDANT LONGTEMPS, AVANT DE PROCÉDER AU RACCORDEMENT AU RÉSEAU DE DISTRIBUTION D'EAU, S'ASSURER QUE L'EAU QUI SORT EST CLAIRE ET SANS IMPURETÉS AFIN D'ÉVITER D'ENDOMMAGER L'APPAREIL. **POUR LE RACCORDEMENT DU LAVE-VAISSELLE AU RÉSEAU HYDRIQUE, UTILISER EXCLUSIVEMENT DES TUYAUX NEUFS ; NE PAS RÉUTILISER DE VIEUX TUYAUX OU DES TUYAUX USÉS.**



### 5.2.1.1 Raccordement à la prise d'eau

Raccorder le tuyau d'alimentation en eau à une prise d'eau froide munie d'un raccord fileté 3/4" gaz, en interposant le filtre (réf. A fig. 5-05) fourni avec le lave-vaisselle. **Veiller à fixer fermement le tuyau en vissant avec les mains la bague de serrage prévue à cet effet (réf. B fig. 5-05) ; compléter l'opération en serrant encore d'environ 1/4 de tour avec une pince. Dans les modèles dotés d'AQUASTOP (réf. C fig. 5-05), le filtre est déjà présent dans la bague filetée.**

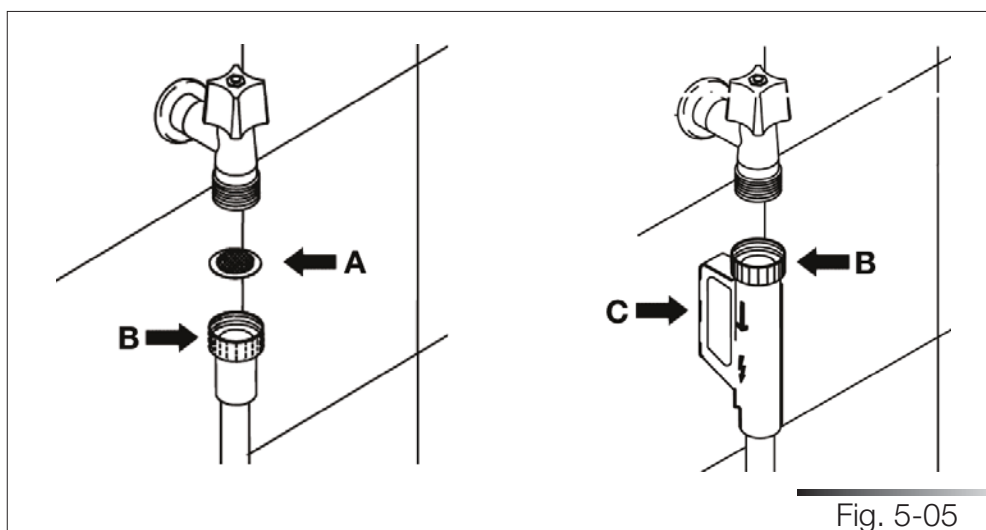
**Alimenter le lave-vaisselle avec de l'eau dont la température ne dépasse pas 60°C (140°F).**

Quand on alimente l'appareil avec de l'eau chaude, le temps de lavage est plus court d'environ 20 minutes, mais l'efficacité est légèrement réduite. Le raccordement s'effectue à une prise domestique d'eau chaude de la même façon que pour le raccordement à la prise d'eau froide.

- Température recommandée : 49°C (120°F), max. 60°C (140°F).
- Pression de l'eau recommandée : 0,5 - 9 bars (7-130 PSI).

Si la pression est trop élevée, il faut installer un réducteur de pression.

**Si un tuyau en caoutchouc est raccordé à une douchette extractible intégrée au mitigeur (sink spray) et s'il est installé sur la conduite qui alimente le lave-vaisselle, il peut éclater. Si votre évier est muni de cet accessoire, il est recommandé de débrancher le tuyau et bloquer l'arrivée d'eau à ce tuyau.**

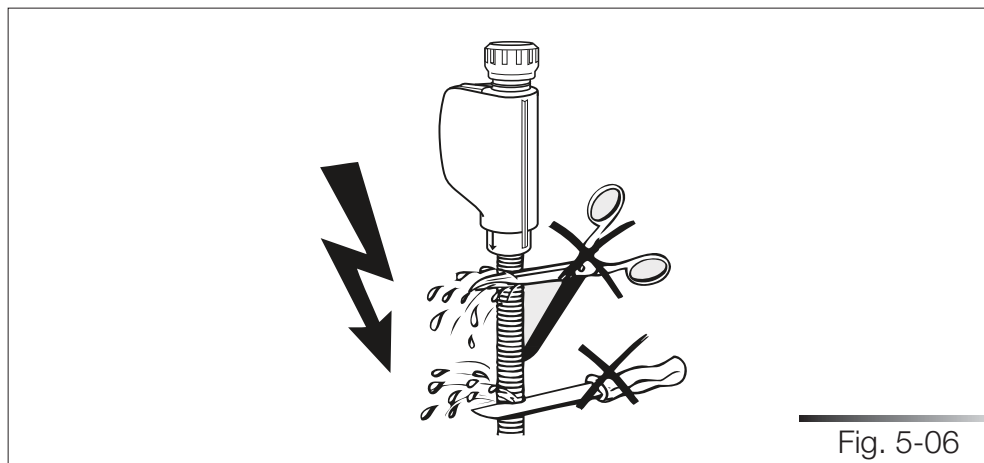


Ne pas couper le tuyau d'arrivée d'eau (voir fig. 5-06).

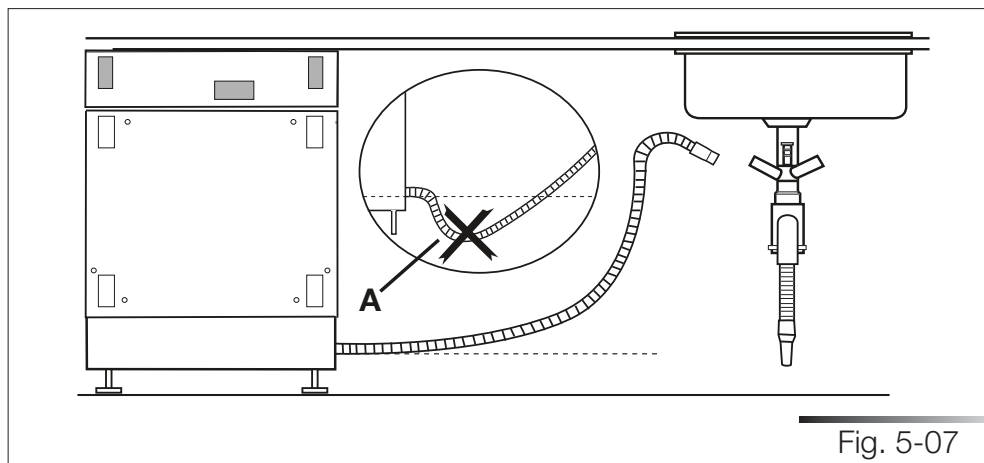
Si l'on coupe le tuyau, le lave-vaisselle ne fonctionne pas, l'eau fuit et l'on risque de se blesser.

Si le tuyau est trop long, l'enrouler de façon ordonnée et le ranger derrière l'appareil.

Le câblage et les composants électriques ne doivent pas entrer en contact avec l'installation hydraulique ni avec les tuyaux d'arrivée d'eau et d'évacuation.



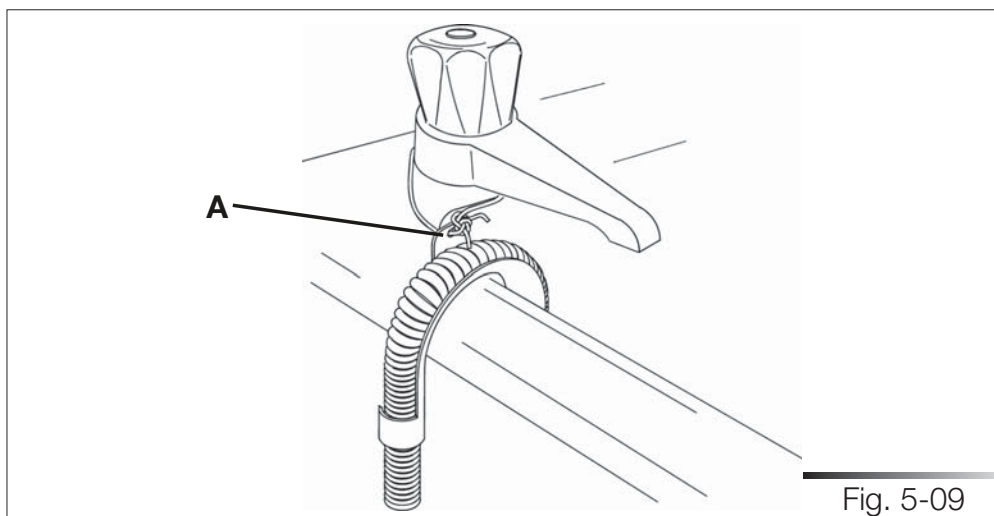
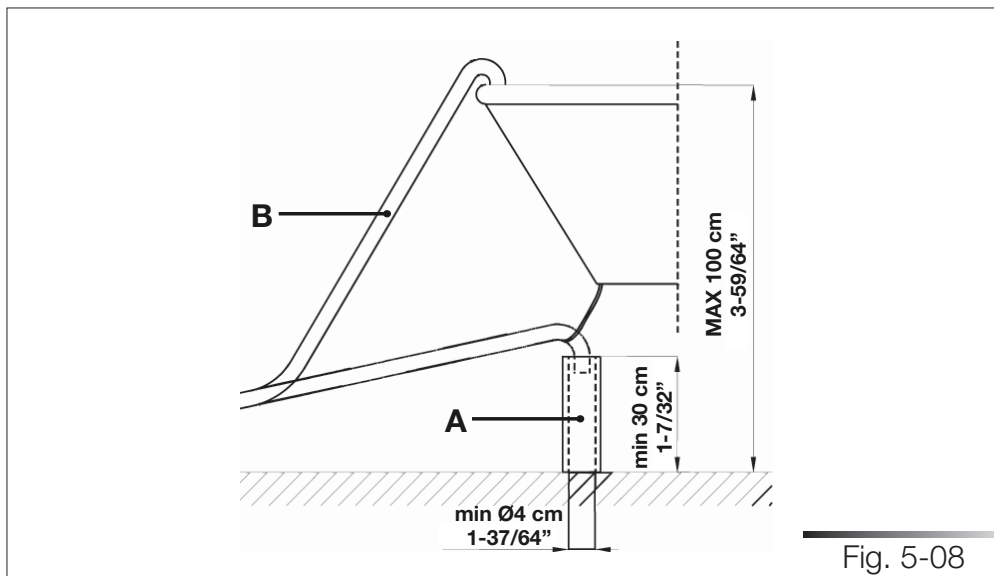
Quand on raccorde le tuyau d'évacuation du lave-vaisselle à l'évier, il faut veiller à ne pas le plier (réf. A fig. 5-07) afin d'éviter de l'endommager en provoquant des fissures ou des ruptures.



### 5.2.1.2 Raccordement du tuyau d'évacuation

#### Raccordement à une conduite d'évacuation

Introduire le tuyau dans une conduite d'évacuation ayant un diamètre minimum de **4 cm (1-37/64")** (réf. A fig. 5-08) ; en alternative, poser le tuyau sur l'évier (réf. B fig. 5-08) en utilisant le coude fourni (voir fig. 5-09) en veillant à éviter de l'étrangler ou de le courber excessivement. Il est important que le tuyau ne puisse pas se détacher et tomber. Pour ce faire, le coude de support est muni d'un trou (réf. A fig. 5-09) qui permet de le fixer en l'attachant au mur ou au robinet. L'extrémité libre doit être positionnée à une hauteur comprise entre **30 et 100 cm (entre 1-7/32" et 3-59/64")** (voir fig. 5-08) et ne doit jamais être immergée dans l'eau. En présence de tuyaux de rallonge disposés horizontalement, sur un maximum de 3 m, positionner le tuyau d'évacuation à une hauteur maximum de **85 cm (3-11/32")** du sol.

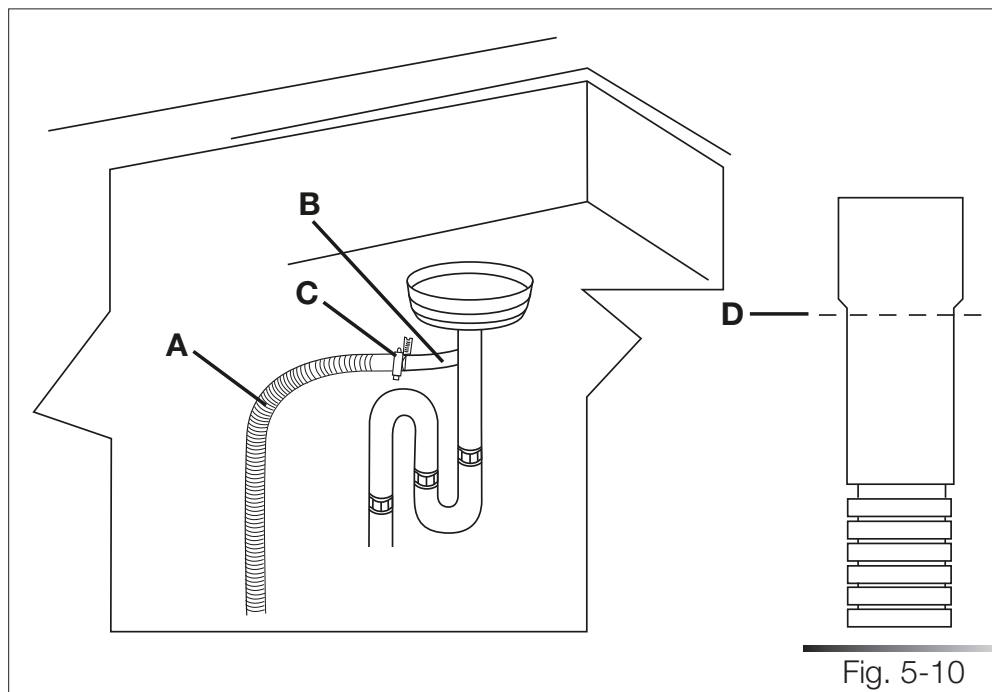


**Raccordement du circuit d'évacuation à un raccord en T**

LE RACCORDEMENT DOIT ÊTRE EXÉCUTÉ EN AMONT DU SIPHON DU CIRCUIT D'ÉVACUATION À UNE HAUTEUR D'AU MOINS 400 mm (15-3/4") PAR RAPPORT AU SOL OÙ LE LAVE-VAISSELLE DOIT ÊTRE INSTALLÉ.

1. Raccorder le tuyau d'évacuation du lave-vaisselle (réf. A fig. 5-10) au raccord en T (réf. B fig. 5-10) du circuit d'évacuation en utilisant un collier à vis\* (réf. C fig. 5-10) de 38 à 50 mm (de 1-1/2 à 2") ; si nécessaire, couper l'extrémité du tuyau d'évacuation du lave-vaisselle (réf. D fig. 5-10) (ne pas couper dans la partie annelée).

\* Pièces disponibles dans les magasins de plomberie.

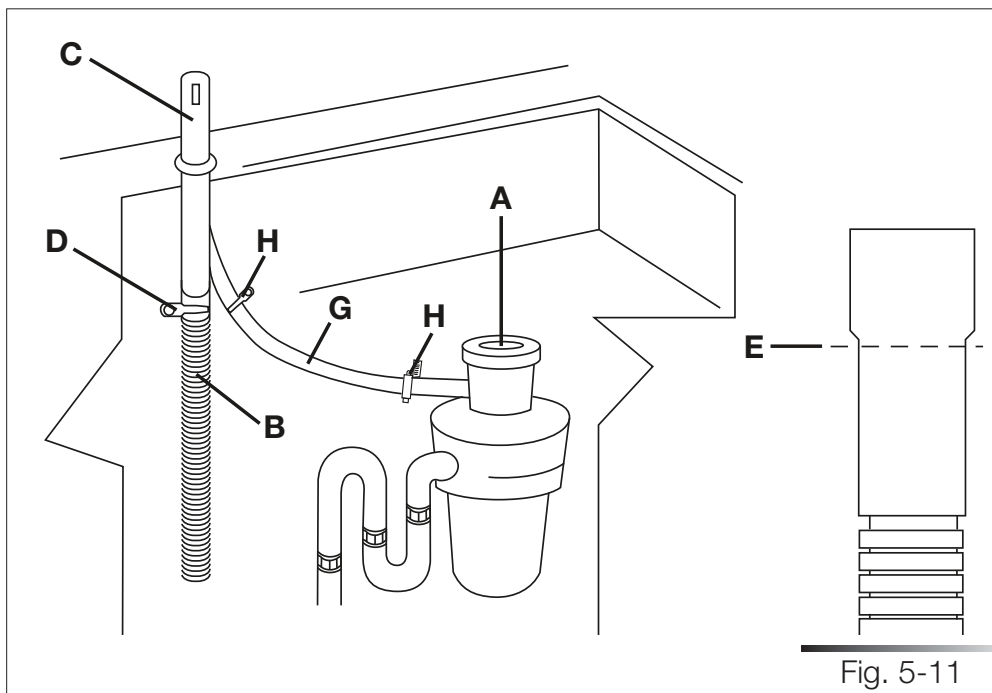


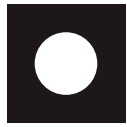
**Raccordement à un broyeur d'évier avec prise d'air**

LE RACCORDEMENT DOIT ÊTRE EXÉCUTÉ EN AMONT DU SIPHON DU CIRCUIT D'ÉVACUATION À UNE HAUTEUR D'AU MOINS 400 mm (15-3/4") PAR RAPPORT AU SOL OÙ LE LAVE-VAISSELLE DOIT ÊTRE INSTALLÉ.

1. Enlever le bouchon extractible du broyeur d'évier (réf. A fig. 5-11).
2. Raccorder le tuyau d'évacuation du lave-vaisselle (réf. B fig. 5-11) à la prise d'air (réf. C fig. 5-11) à l'aide du collier à ressort large (réf. D fig. 5-11) ; si nécessaire, couper l'extrémité du tuyau d'évacuation du lave-vaisselle (réf. E fig. 5-11) (ne pas couper dans la partie annelée). Si le tuyau d'évacuation a été coupé, utiliser un collier à vis\* de 38 à 50 mm (de 1-1/2 à 2").
3. Pour raccorder la prise d'air (réf. C fig. 5-11) à l'entrée du broyeur d'évier (réf. F fig. 5-11), utiliser un raccord en caoutchouc\* (réf. G fig. 5-11) et des colliers à ressort ou à vis\* (réf. H fig. 5-11).

\* Pièces disponibles dans les magasins de plomberie.

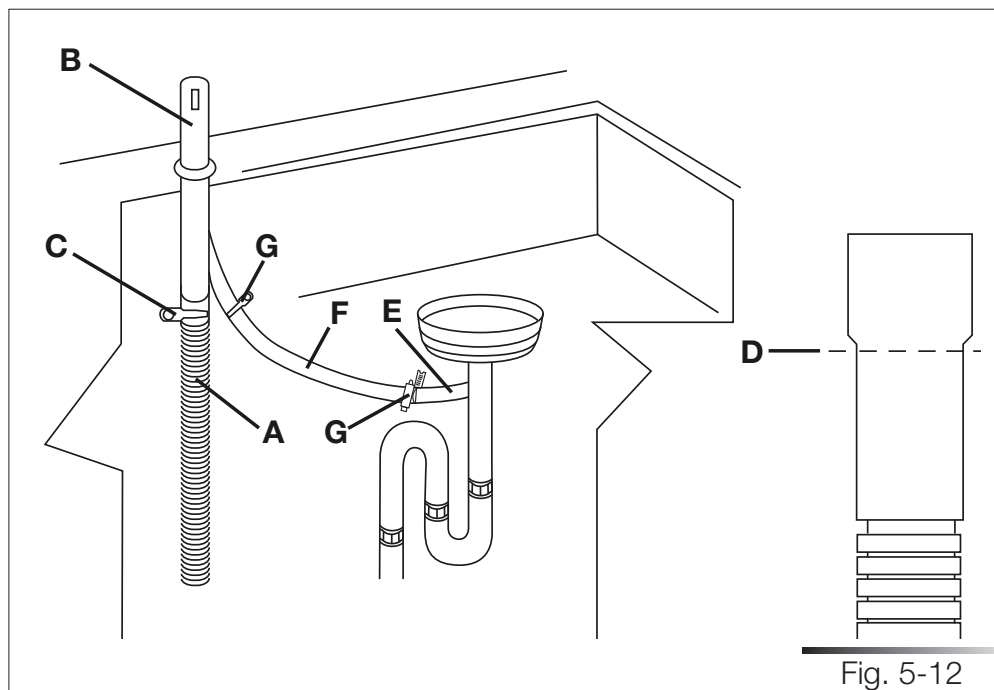


**Raccordement à la prise d'air (sans broyeur d'évier)**

LE RACCORDEMENT DOIT ÊTRE EXÉCUTÉ EN AMONT DU SIPHON DU CIRCUIT D'ÉVACUATION À UNE HAUTEUR D'AU MOINS 400 mm (15-3/4") PAR RAPPORT AU SOL OÙ LE LAVE-VAISSELLE DOIT ÊTRE INSTALLÉ.

1. Raccorder le tuyau d'évacuation du lave-vaisselle (réf. A fig. 5-12) à la prise d'air (réf. B fig. 5-12) à l'aide du collier à ressort large (réf. C fig. 5-12) ; si nécessaire, couper l'extrémité du tuyau d'évacuation du lave-vaisselle (réf. D fig. 5-12) (ne pas couper dans la partie annelée). Si le tuyau d'évacuation a été coupé, utiliser un collier à vis\* de 38 à 50 mm (de 1-1/2 à 2").
2. Pour raccorder la prise d'air (réf. B fig. 5-12) au raccord en T (réf. E fig. 5-12) du circuit d'évacuation, utiliser un raccord en caoutchouc\* (réf. F fig. 5-12) et des colliers à ressort ou à vis\* (réf. G fig. 5-12).

\* Pièces disponibles dans les magasins de plomberie.



**Raccordement à un broyeur d'évier (sans prise d'air)**

LE RACCORDEMENT DOIT ÊTRE EXÉCUTÉ EN AMONT DU SIPHON DU CIRCUIT D'ÉVACUATION À UNE HAUTEUR D'AU MOINS 400 mm (15-3/4") PAR RAPPORT AU SOL OÙ LE LAVE-VAISSELLE DOIT ÊTRE INSTALLÉ.

1. Enlever le bouchon extractible du broyeur d'évier (réf. A fig. 5-13).
2. Raccorder le tuyau d'évacuation du lave-vaisselle (réf. B fig. 5-13) à l'entrée du broyeur d'évier (réf. C fig. 5-13) à l'aide du collier à ressort large (réf. D fig. 5-13).

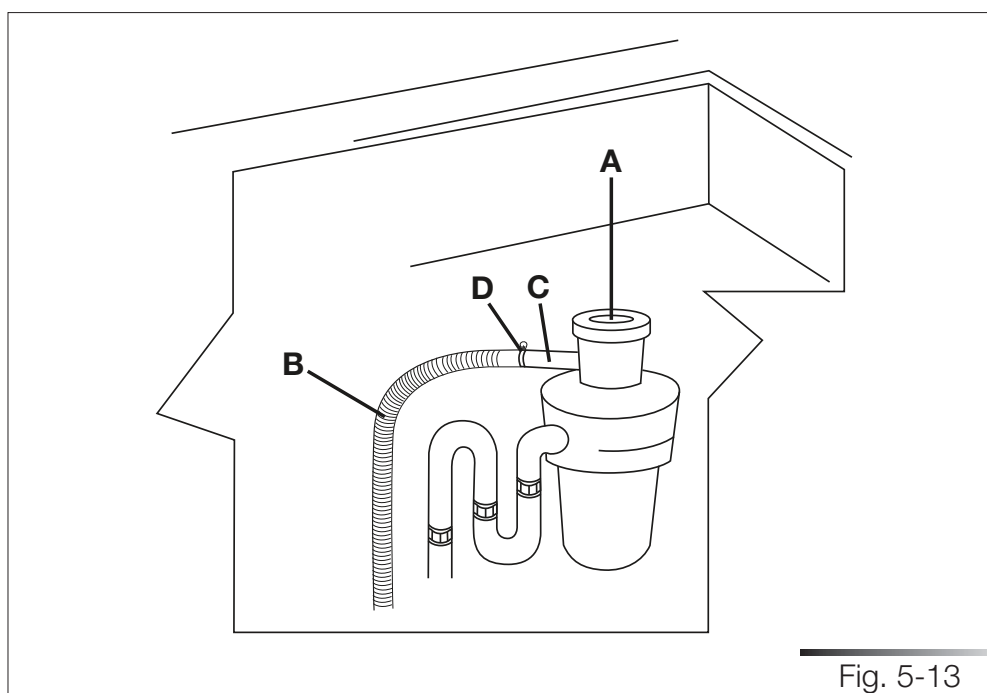


Fig. 5-13

### 5.2.2 Branchement électrique et avertissements



CONTRÔLER QUE LES VALEURS DE TENSION ET DE FRÉQUENCE DE RÉSEAU CORRESPONDENT À CELLES REPORTÉES SUR LA PLAQUE D'IDENTIFICATION DE L'APPAREIL PLACÉE SUR LE BORD INTERNE DE LA PORTE.



**SI LE CORDON D'ALIMENTATION EST ENDOMMAGÉ, LE FAIRE REMPLACER PAR LE FABRICANT OU PAR UN CENTRE SAV AGRÉÉ. L'INSTALLATION DE CET APPAREIL ÉLECTROMÉNAGER DOIT PRÉVOIR SA MISE À LA TERRE. EN CAS DE PANNES OU ANOMALIES, LA MISE À LA TERRE LIMITE LE RISQUE D'ÉLECTRISATION, EN FOURNISSANT UN PARCOURS DE MOINDRE RÉSISTANCE AU COURANT ÉLECTRIQUE.**

#### Instructions pour la mise à la terre



CET APPAREIL DOIT ÊTRE RACCORDÉ À LA TERRE. EN CAS DE PANNES OU ANOMALIES, LA MISE À LA TERRE LIMITE LE RISQUE D'ÉLECTRISATION, EN FOURNISSANT UN PARCOURS DE MOINDRE RÉSISTANCE AU COURANT ÉLECTRIQUE. CET APPAREIL ÉLECTROMÉNAGER EST MUNI D'UN CORDON D'ALIMENTATION DOTÉ DE CONDUCTEUR ET FICHE POUR LA MISE À LA TERRE. LA FICHE DOIT ÊTRE INSÉRÉE DANS UNE PRISE ADAPTÉE, INSTALLÉE ET BRANCHÉE À LA TERRE CONFORMÉMENT AUX LOIS EN VIGUEUR DANS LE PAYS D'INSTALLATION.



**AVANT DE PROCÉDER À L'EXÉCUTION DU BRANCHEMENT ÉLECTRIQUE, COUPER L'ALIMENTATION ÉLECTRIQUE DANS LA ZONE DE POSITIONNEMENT.**

Cet appareil électroménager est muni d'un cordon d'alimentation doté de conducteur et fiche pour la mise à la terre. La fiche doit être insérée dans une prise adaptée, installée et branchée à la terre conformément aux lois en vigueur dans le pays d'installation.



CONTRÔLER QUE L'INSTALLATION ÉLECTRIQUE DU LIEU D'INSTALLATION EST CONFORME AUX LOIS EN VIGUEUR DANS LE PAYS D'UTILISATION DE L'APPAREIL ET QU'ELLE EST DOTÉE DE MISE À LA TERRE.



**DANGER: LE BRANCHEMENT INCORRECT DU CONDUCTEUR DE TERRE DE L'APPAREIL ÉLECTROMÉNAGER PEUT ENTRAÎNER DES RISQUES D'ÉLECTRISATION. EN CAS DE DOUTES SUR LA MISE**



À LA TERRE CORRECTE DE L'APPAREIL, CONTACTER UN ÉLECTRICIEN QUALIFIÉ OU LE PERSONNEL DU SERVICE APRÈS-VENTE. NE PAS MODIFIER LA FICHE FOURNIE AVEC L'APPAREIL ÉLECTROMÉNAGER. SI LA FICHE N'EST PAS ADAPTÉE À LA PRISE, S'ADRESSER À UN ÉLECTRICIEN QUALIFIÉ POUR FAIRE INSTALLER UNE PRISE ADAPTÉE.

La fiche à l'extrémité du cordon d'alimentation et la prise correspondante doivent être du même type et être conformes aux normes sur les installations électriques en vigueur. On doit pouvoir accéder à la fiche après l'installation. **Ne jamais débrancher la fiche en tirant le cordon d'alimentation. Si le cordon d'alimentation est endommagé**, le faire remplacer par le fabricant ou par un centre SAV agréé.



NE PAS UTILISER DES PROLONGATEURS, ADAPTATEURS OU DÉRIVATEURS, CAR ILS PEUVENT PROVOQUER DES SURCHAUFFES OU DES COMBUSTIONS, EN ENTRAÎNANT DES RISQUES D'INCENDIE.



LE REMPLACEMENT DU CORDON D'ALIMENTATION DOIT ÊTRE EFFECTUÉ PAR LE FABRICANT OU PAR UN CENTRE SAV AGRÉÉ AFIN D'ÉVITER TOUT RISQUE.

## 5.3 Pose du lave-vaisselle

### 5.3.1 Procédure de pose du lave-vaisselle

Nettoyer la surface inférieure du plan de travail dans la zone où se trouvera la porte du lave-vaisselle (voir fig. 5-14) et appliquer la protection contre la vapeur de la façon indiquée (voir fig. 5-15 si l'on applique la protection adhésive ; voir fig. 5-16 si l'on applique la protection en acier). Cette protection sert à protéger le plan de travail contre la vapeur et la condensation quand on ouvre le lave-vaisselle à la fin du cycle de lavage.

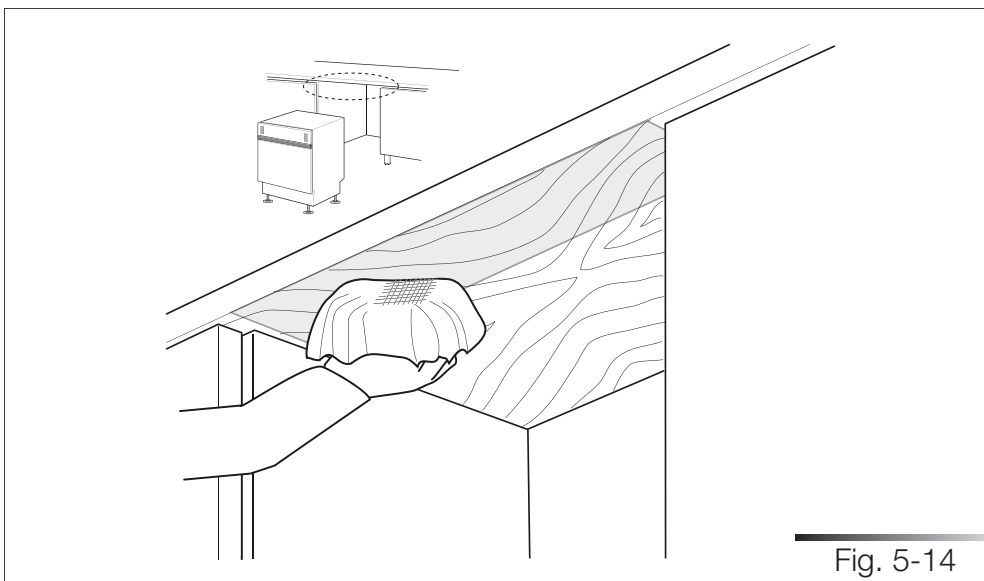
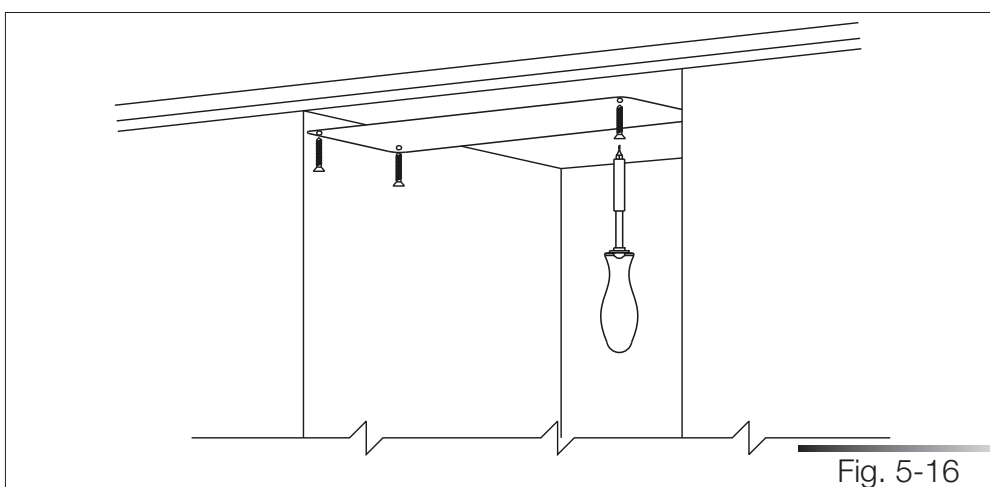
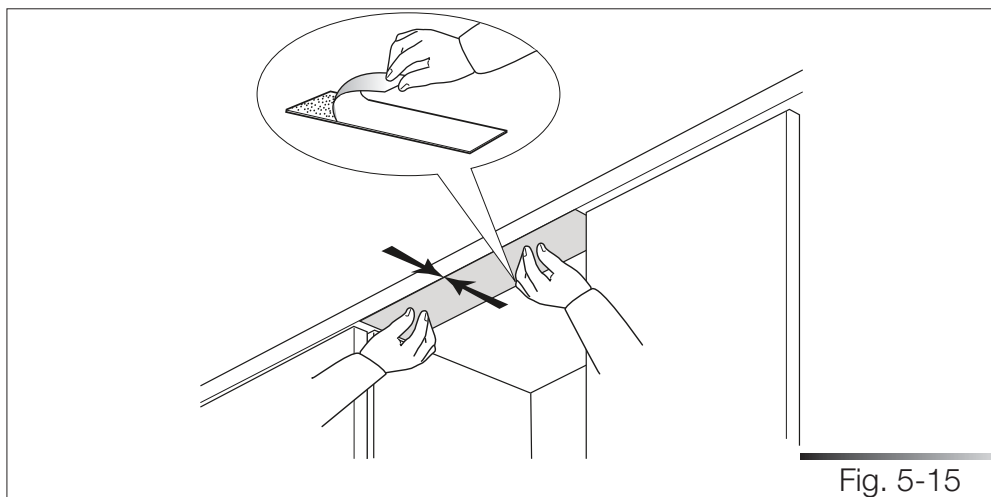


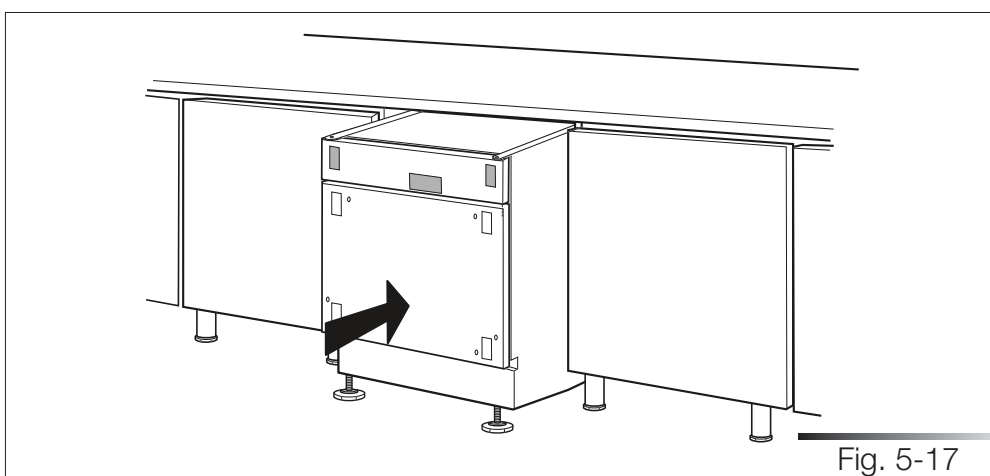
Fig. 5-14



Introduire le lave-vaisselle dans l'ouverture prévue en veillant à ne pas emmêler ou écraser le cordon d'alimentation et les conduits des câbles électriques (voir fig. 5-17).



*DEUX PERSONNES SONT NÉCESSAIRES POUR LA POSE DU LAVE-VAISSELLE DANS L'OUVERTURE. ELLES DOIVENT METTRE DES GANTS DE SÉCURITÉ AFIN DE NE PAS RISQUER DE SE BLESSER.*



### 5.3.2 Procédure de montage panneau de la porte (uniquement pour le modèle F6DW24F11)

Procéder au montage du panneau de la porte.

Positionner le gabarit de perçage sur la surface interne du panneau et le centrer sur la côté supérieur du panneau en faisant coïncider les références (ref.A fig. 5-18). Marquer les points de positionnement des supports porte avec un crayon (voir fig. 5-18). Enlever le gabarit et, en utilisant une perceuse munie d'un foret adapté, percer le panneau dans les points marqués précédemment.

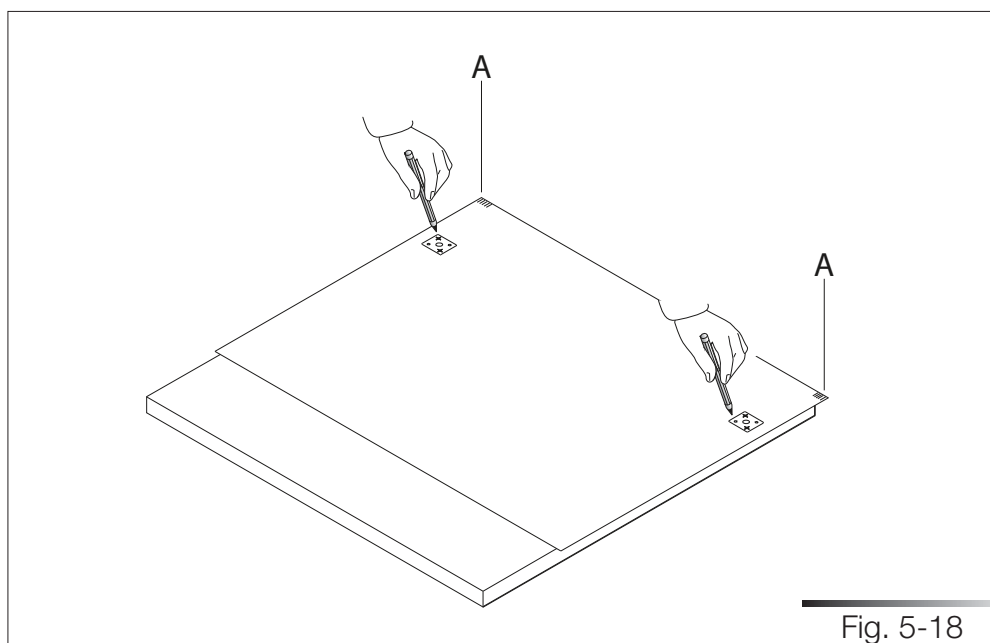


Fig. 5-18

En utilisant un tournevis adapté, fixer les deux supports porte avec les 8 vis fournies (voir fig. 5-19), à visser dans les points de référence marqués précédemment.

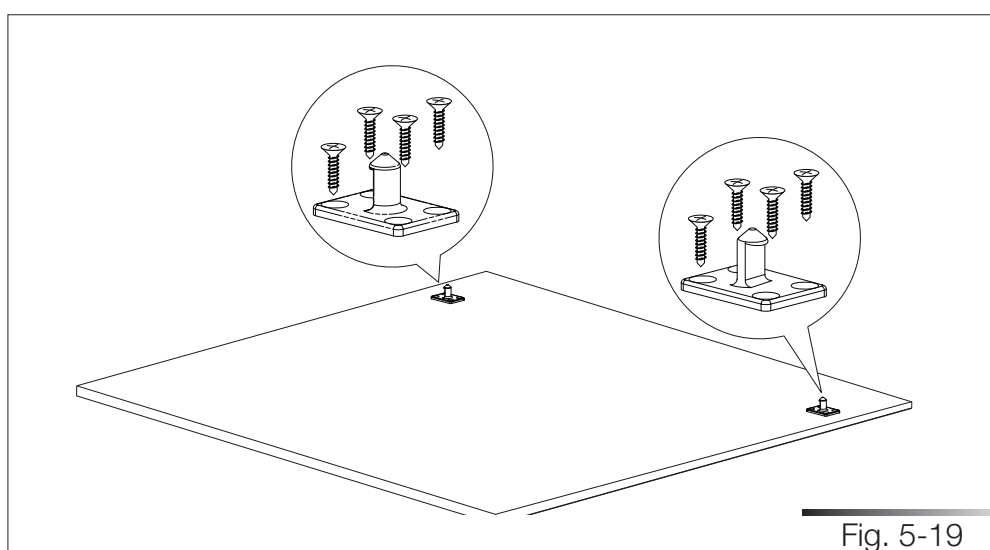
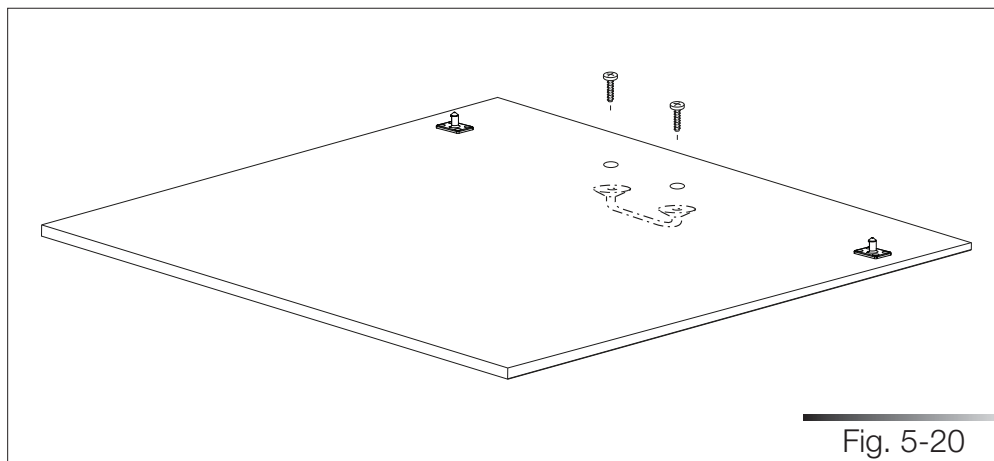


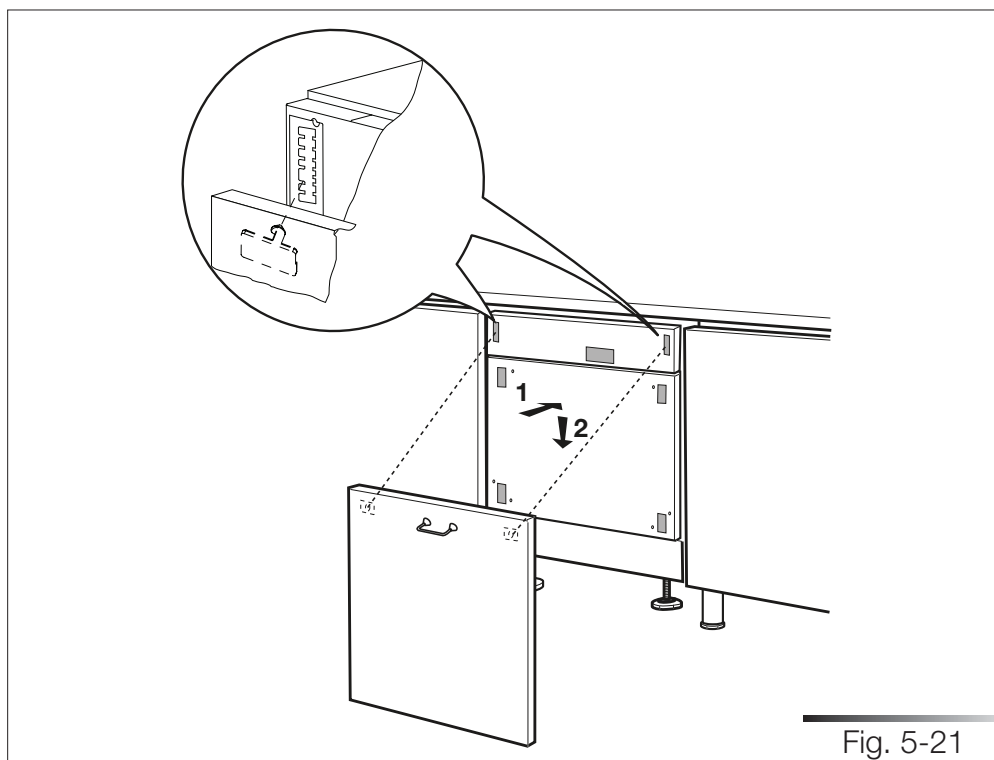
Fig. 5-19

Percer les trous pour la poignée du panneau, en utilisant une perceuse munie d'un foret adapté. Avec un tournevis, monter la poignée avant de fixer le panneau au lave-vaisselle (voir fig. 5-20).

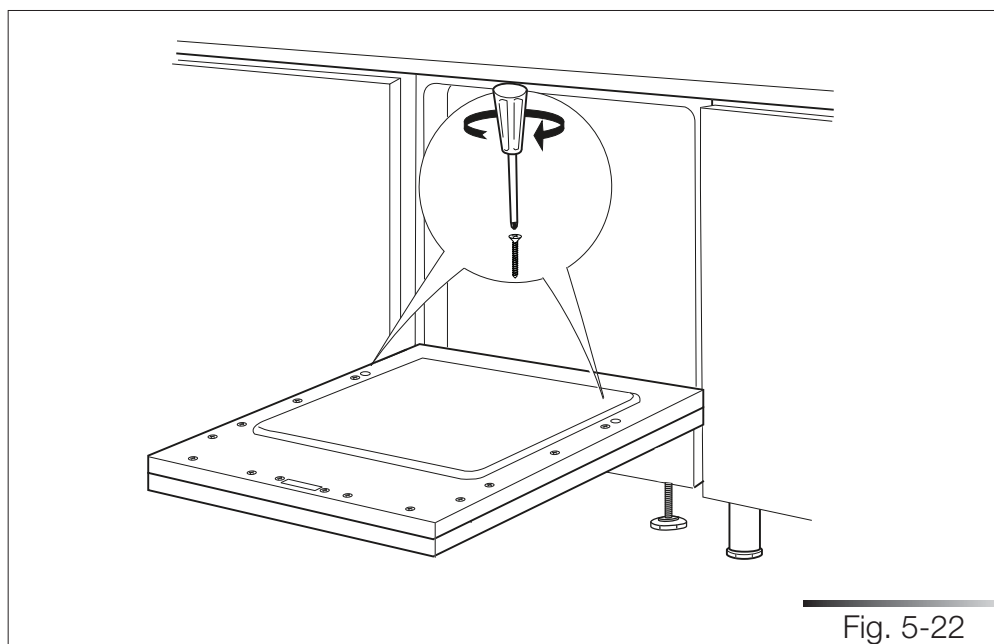
**REMARQUE :** les vis pour la poignée ne sont pas fournies.



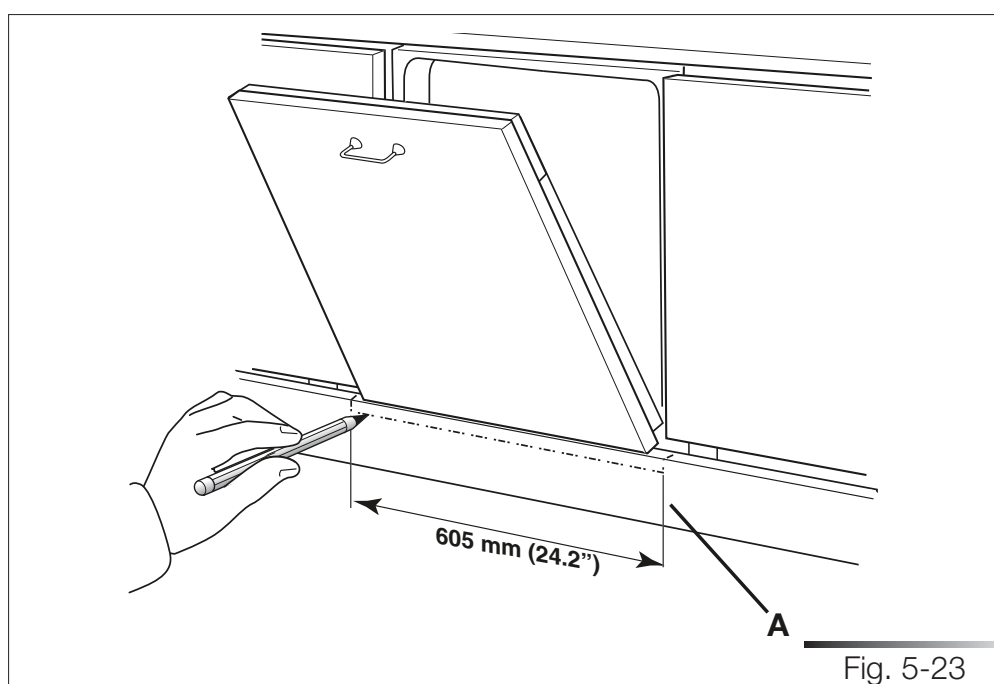
Accrocher le panneau de la porte : insérer les supports dans les sièges prévus à cet effet sur le lave-vaisselle, puis laisser le panneau glisser vers le bas, de façon à ce qu'il s'encastre (voir fig. 5-21).



Visser la porte au panneau en utilisant les vis fournies. Le panneau doit avoir une épaisseur minimum de 20 mm (25/32") (voir fig. 5-22).



Contrôler que la porte du lave-vaisselle, avec le panneau monté, s'ouvre aisément et que la plinthe au-dessous (réf. A fig. 5-23) n'empêche pas son ouverture complète. Si la plinthe empêche l'ouverture de la porte, tracer avec un crayon la découpe à exécuter (voir fig. 5-23). Ensuite, enlever la plinthe et effectuer la découpe selon le dessin tracé ; pour ce faire, utiliser une scie adaptée (voir fig. 5-24).



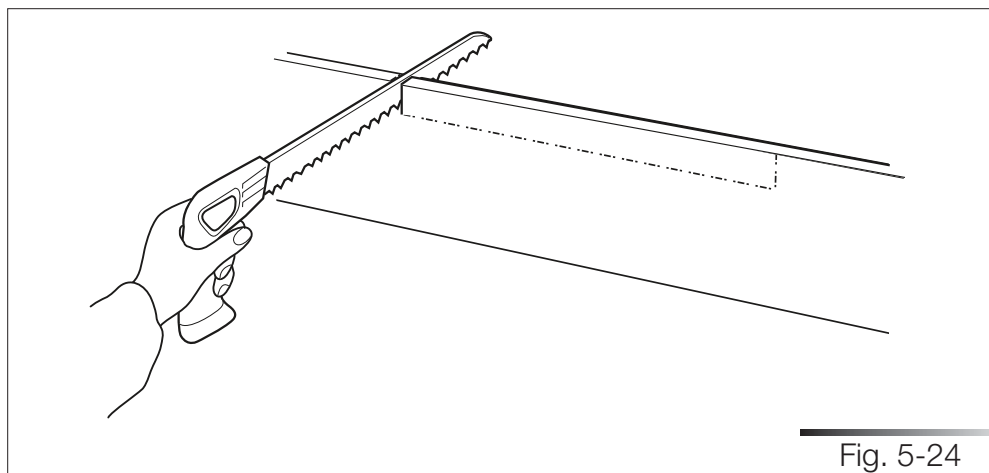


Fig. 5-24

### 5.3.3 *Achèvement de la pose du lave-vaisselle*

Parachever la découpe à l'aide d'une lime (voir fig. 5-25), de façon à éliminer les éventuelles bavures et/ou imperfections. Remettre en place la plinthe (voir fig. 5-26) et vérifier que l'on peut ouvrir complètement la porte du lave-vaisselle ; si la plinthe empêche encore l'ouverture complète de la porte, répéter les opérations de contrôle et réalisation de la découpe.

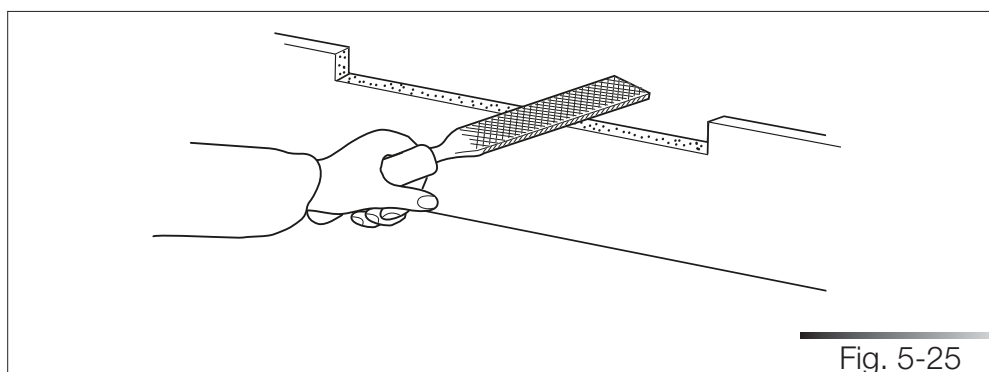


Fig. 5-25

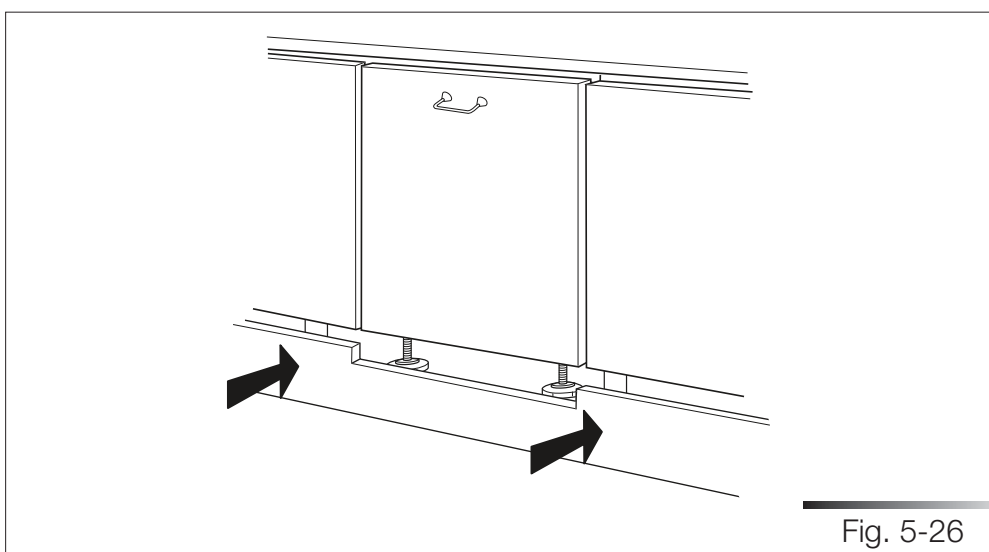
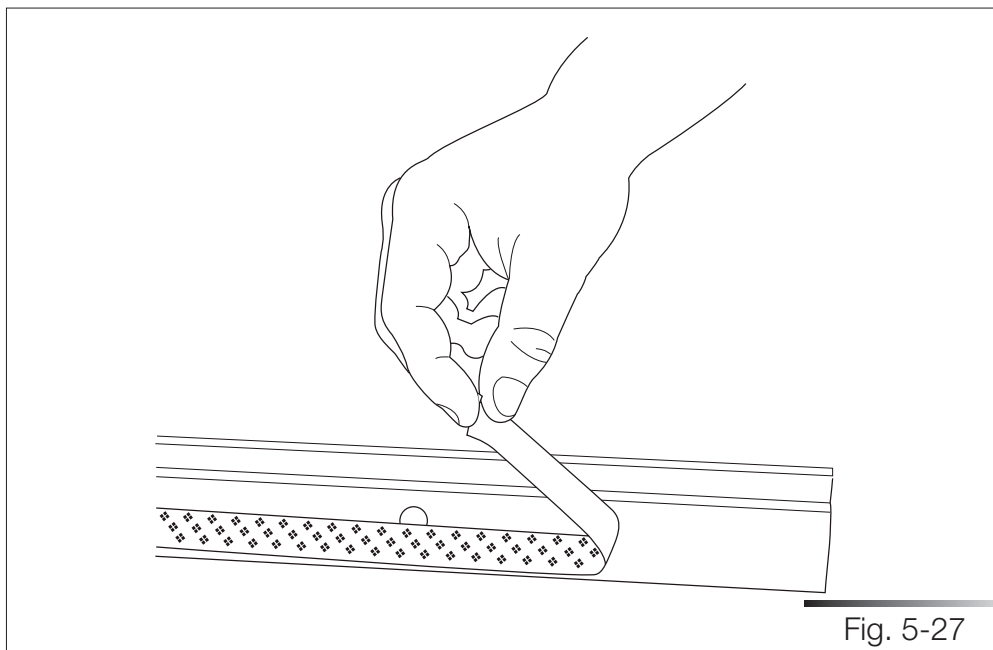


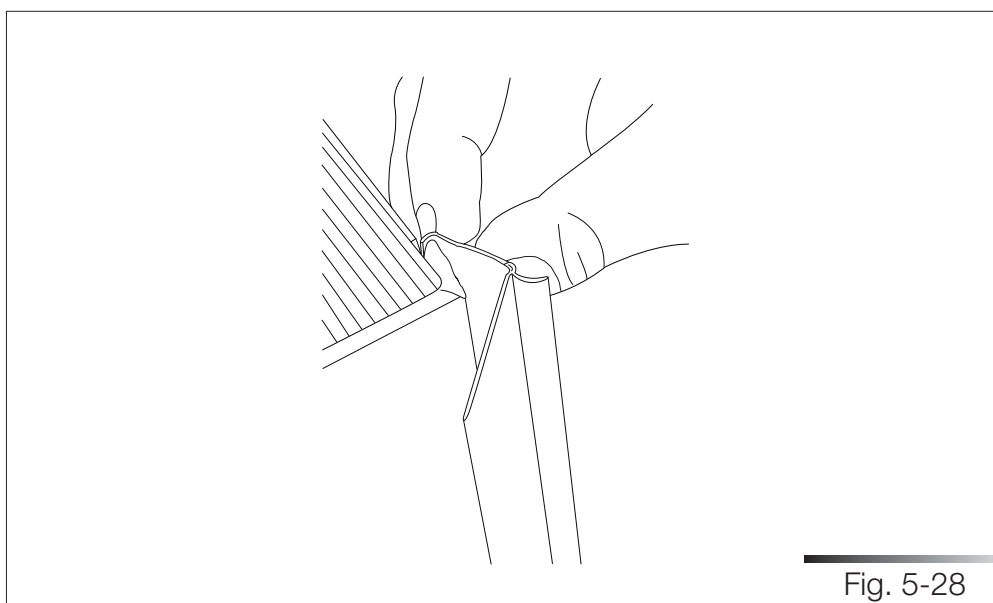
Fig. 5-26

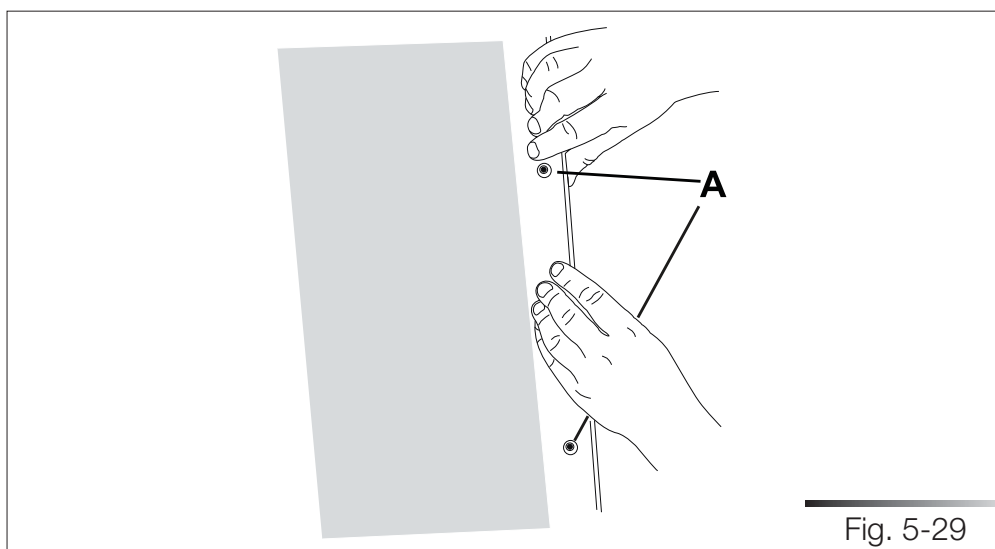
Avant de fixer le lave-vaisselle aux meubles adjacents, positionner le joint sur les côtés du lave-vaisselle.

Enlever la protection adhésive présente sur le joint (voir fig. 5-27).

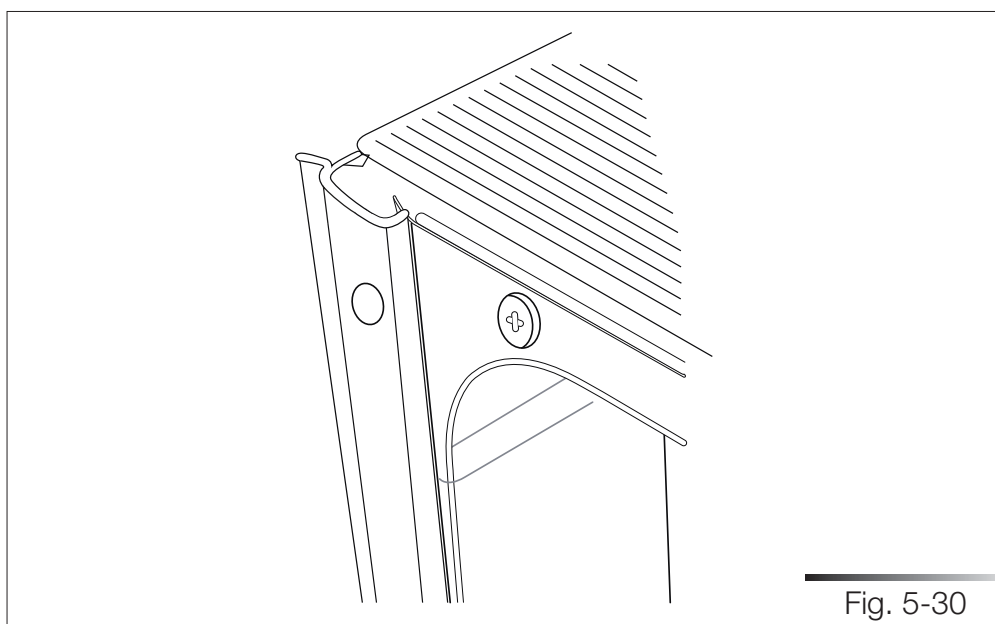


Fixer le joint sur le lave-vaisselle en l'insérant dans le siège prévu à cet effet sur les côtés de la façade (voir fig. 5-28). Veiller à ce que le côté le plus large du joint, muni du trou pour la vis, soit fixé sur le côté extérieur du lave-vaisselle ; le trou susmentionné doit coïncider avec le trou réalisé sur le lave-vaisselle (voir réf. A fig. 5-29). Contrôler que le joint adhère parfaitement au lave-vaisselle.



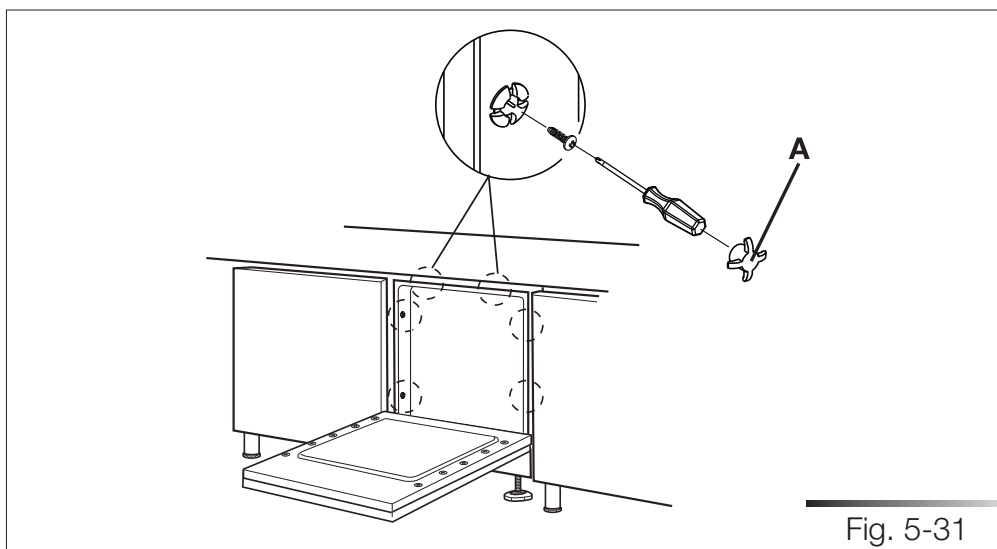


Une fois les opérations susmentionnées effectuées, la situation finale est celle représentée sur la fig. 5-30.



Procéder au vissage des vis fournies en utilisant un tournevis ; cette opération sert à fixer de manière définitive le lave-vaisselle aux meubles adjacents. Boucher les trous latéraux avec les bouchons prévus à cet effet (réf. A fig. 5-31-).





## 5.4 *Essai*

Une fois les opérations d'installation terminées, effectuer un essai en lançant un cycle de lavage. Pendant son exécution, contrôler qu'il n'y a pas de fuites d'eau et que le lave-vaisselle ne présente pas d'anomalies de fonctionnement.



## Sumario

1	INTRODUCCIÓN.....	3
2	ADVERTENCIAS PARA LA SEGURIDAD .....	5
3	MATERIALES NECESARIOS PARA LA INSTALACIÓN.....	8
3.1	Kit que forma parte del equipo base del lavavajillas .....	9
4	DIMENSIONES DEL LAVAVAJILLAS.....	11
5	INSTRUCCIONES PARA LA INSTALACIÓN Y LA PUESTA EN OBRA.....	12
5.1	Nivelación .....	13
5.1.1	Nivelación del aparato .....	13
5.2	Realización de las conexiones.....	14
5.2.1	Conexión a la red de distribución del agua .....	15
5.2.1.1	Conexión a la toma de agua.....	16
5.2.1.2	Conexión del tubo de evacuación .....	18
5.2.2	Conexión eléctrica y advertencias .....	23
5.3	Puesta en obra del lavavajillas .....	24
5.3.1	Procedimiento de puesta en obra del lavavajillas .....	24
5.3.2	Procedimiento de montaje del panel puerta.....	26
5.3.3	Finalización de la puesta en obra del lavavajillas .....	28
5.4	Prueba .....	31



# 1 INTRODUCCIÓN

*Le agradecemos su confianza al elegir uno de nuestros productos. Con el fin de conocer las condiciones más adecuadas para una instalación correcta y segura de su lavavajillas, lea atentamente las instrucciones que figuran en este manual. Los apartados se presentan de manera que se pueda avanzar paso a paso en la instalación del aparato. Los textos son de fácil comprensión y están ilustrados con imágenes detalladas. Este manual, de fácil consulta, dará cumplida respuesta a todas las cuestiones que puedan surgir con respecto a la instalación del lavavajillas.*

**El manual está compuesto por las siguientes secciones:**

**INTRODUCCIÓN:** contiene información general sobre el manual.




*ADVERTENCIAS:* se indica una serie de advertencias sobre la seguridad durante la instalación del lavavajillas.

*INSTRUCCIONES PARA EL INSTALADOR:* están destinadas al **técnico competente** que deberá llevar a cabo la instalación, la puesta en servicio y el control del aparato.

**Nomenclatura de las figuras y las tablas:**

en el cuadro que contiene las figuras se indica, en la parte inferior derecha, su numeración progresiva. Un ejemplo de numeración puede ser “Fig. 4-01”, donde la primera cifra (4) corresponde al capítulo al cual pertenece la figura, mientras que la segunda cifra (01) corresponde al número progresivo de la figura en el capítulo 4 (en el ejemplo la Fig. 4-01 corresponde a la primera figura del capítulo 4). La numeración de las tablas se gestiona del mismo modo, teniendo en cuenta que, en lugar de “Fig.”, se utiliza la abreviatura “Tab.” (p.ej. Tab. 4-01, que corresponde a la primera tabla del capítulo 4). En caso de que la tabla ocupe diferentes páginas, se añadirá una letra después de la cifra progresiva (p.ej. “Tab. 4-01a” y Tab. 4-01b”).

***Símbolos utilizados en este manual (véase la tab. 1-01)***

	<b>PELIGRO.</b> Este símbolo se refiere a información y advertencias cuyo incumplimiento puede perjudicar la seguridad de las personas o dañar el aparato.
	<b>PELIGRO ELÉCTRICO.</b> Este símbolo se refiere a información y advertencias de tipo eléctrico cuyo incumplimiento puede perjudicar la seguridad de las personas o dañar el aparato.
	Este símbolo se refiere a información y advertencias generales.
Tab. 1-01	

2 **ADVERTENCIAS PARA LA SEGURIDAD**



EL PRESENTE MANUAL ES UNA PARTE INTEGRANTE DEL APARATO: SE DEBERÁ CONSERVAR SIEMPRE EN BUENAS CONDICIONES DE INTEGRIDAD JUNTO A LA MÁQUINA. ANTES DEL USO, LE ACONSEJAMOS LEA DETENIDAMENTE TODAS LAS INDICACIONES CONTENIDAS EN EL MISMO. LA INSTALACIÓN SE DEBERÁ ASIGNAR A PERSONAS COMPETENTES, EN EL RESPETO DE LAS NORMAS VIGENTES. ESTE APARATO HA SIDO CREADO PARA EL USO DOMÉSTICO Y APLICACIONES SIMILARES TALES COMO, POR EJEMPLO, COCINAS PARA EL PERSONAL DE TIENDAS, OFICINAS Y OTROS AMBIENTES DE TRABAJO, COMUNIDADES, CLIENTES DE HOTELES, HOSTALES, AMBIENTES “BED AND BREAKFAST” Y OTROS AMBIENTES DE TIPO RESIDENCIAL Y CUMPLE CON LO DISPUESTOS POR LAS **DIRECTIVAS 2006/95/CE Y 2004/108/CE** ACTUALMENTE EN VIGOR Y CON LAS NORMAS DE PREVENCIÓN Y ELIMINACIÓN DE LAS PERTURBACIONES RADIO. ESTE APARATO ES FABRICADO PARA EFECTUAR EL **LAVADO Y SECADO DE VAJILLAS**; CUALQUIER OTRO TIPO DE USO SE DEBE CONSIDERAR IMPROPIO. **EL CONSTRUCTOR NO SE ASUME NINGUNA RESPONSABILIDAD EN CASO DE EMPLEO DEL APARATO PARA TAREAS QUE NO SEAN LAS INDICADAS EN LAS PRESCRIPCIONES DE USO.**



**LA INSTALACIÓN Y LAS INTERVENCIONES DE REPARACIÓN O ASISTENCIA DEBEN SER REALIZADAS POR PERSONAL TÉCNICO COMPETENTE Y AUTORIZADO.** LAS INTERVENCIONES REALIZADAS POR PERSONAL NO COMPETENTE PUEDEN SER PELIGROSAS E INVALIDAN LA GARANTÍA. LA INSTALACIÓN DEBE RESPETAR TODAS LAS DIRECTIVAS DEL PAÍS DONDE SE INSTALA EL LAVAVAJILLAS Y, EN CASO DE QUE FALTEN: EN ESTADOS UNIDOS EL NATIONAL ELECTRIC CODE; EN CANADÁ EL CANADIAN ELECTRIC CODE C22.1 - LATEST EDITION/PROVINCIAL AND MUNICIPAL CODES AND/OR LOCAL CODES.



LA PLACA DE IDENTIFICACIÓN, CON LAS CARACTERÍSTICAS TÉCNICAS, EL NÚMERO DE MATRÍCULA Y LA MARCA, ESTÁ SITUADA EN UNA POSICIÓN BIEN VISIBLE EN EL BORDE INTERIOR DE LA PUERTA DEL LAVAVAJILLAS. **LA PLACA PRESENTE EN EL BORDE INTERIOR DE LA PUERTA NO SE DEBERÁ ELIMINAR POR NINGUNA RAZÓN.**



EL APARATO NO ES ADECUADO PARA EL USO MARÍTIMO O MÓVIL COMO POR EJEMPLO EN CARAVANAS O BARCOS. LOS LAVAVAJILLAS CERTIFICADOS PARA EL USO DOMÉSTICO NO ESTÁN DESTINADOS A LOS ESTABLECIMIENTOS ALIMENTARIOS AUTORIZADOS.



VERIFICAR QUE LA TENSIÓN, LA FRECUENCIA Y LA PROTECCIÓN DE LA INSTALACIÓN ELÉCTRICA DE LA CASA CORRESPONDAN A LAS INDICACIONES PRESENTES EN LA PLACA DE IDENTIFICACIÓN DEL APARATO.



**PARA ELEVAR EL LAVAVAJILLAS SON NECESARIAS DOS PERSONAS EQUIPADAS CON ESPECIALES GUANTES DE SEGURIDAD.**



NO ABANDONE EVENTUALES RESIDUOS DE EMBALAJE EN EL AMBIENTE DOMÉSTICO. SEPARAR LOS DISTINTOS MATERIALES DE DESPERDICIO DEL EMBALAJE Y ENTRÉGUELOS AL CENTRO DE RECOLECCIÓN SELECTIVA DE RESIDUOS MÁS CERCANO. LOS RESIDUOS DEL EMBALAJE NO DEBEN QUEDAR AL ALCANCE DE LOS NIÑOS, DE PERSONAS CON CAPACIDADES FÍSICAS Y/O MENTALES REDUCIDAS O DE ANIMALES; EXISTE EL PELIGRO DE SOFOCACIÓN.



ANTES DE REALIZAR LA INSTALACIÓN, DESCONECTA LA ALIMENTACIÓN ELÉCTRICA DEL ÁREA DE TRABAJO.



DURANTE LA INSTALACIÓN TENGA CUIDADO CON LOS BORDES CORTANTES PRESENTES EN EL LAVAVAJILLAS, PARA EVITAR HERIDAS; LLEVE GUANTES DE SEGURIDAD.



ES OBLIGATORIO EFECTUAR LA CONEXIÓN DE TIERRA CON ARREGLO A LAS INDICACIONES SUMINISTRADAS POR LAS NORMAS DE SEGURIDAD DE LA INSTALACIÓN ELÉCTRICA. EN CASO DE DUDAS HAGA CONTROLAR LA INSTALACIÓN POR UN ELECTRICISTA COMPETENTE.

**EL FABRICANTE NO SE ASUME NINGUNA RESPONSABILIDAD EN CASO DE DAÑOS A OBJETOS O PERSONAS PROVOCADOS POR LA FALTA DE CONEXIÓN O POR LA CONEXIÓN DEFECTUOSA DE LA LÍNEA DE TIERRA.**





*¡NO UTILICE APARATOS QUE HAYAN SUFRIDO DAÑOS DURANTE EL TRANSPORTE! EN CASO DE DUDAS PÓNGASE EN CONTACTO CON EL VENDEDOR. EL APARATO SE DEBERÁ INSTALAR Y CONECTAR SEGÚN LAS INSTRUCCIONES SUMINISTRADAS POR EL FABRICANTE O POR PERSONAL COMPETENTE.*



*NO PONGA EN FUNCIONAMIENTO EL LAVAVAJILLAS SI TODOS LOS PANELES QUE LA CUBREN NO ESTÁN SITUADOS CORRECTAMENTE.*

*TERMINADA LA INSTALACIÓN, LLEVE A CABO ALGUNAS PRUEBAS DEL APARATO SIGUIENDO LAS INSTRUCCIONES DETALLADAS A CONTINUACIÓN. EN CASO DE QUE EL APARATO NO FUNCIONE, DESCONÉCTELO DE LA RED ELÉCTRICA Y DIRÍJASE AL CENTRO DE ASISTENCIA TÉCNICA MÁS CERCANO.*

***NO TRATE DE REPARAR EL APARATO POR SU CUENTA.***



*NO UTILICE PROLONGADORES, ADAPTADORES O DERIVADORES YA QUE PODRÍAN PROVOCAR RECALENTAMIENTOS O QUEMADURAS CON EL CONSIGUIENTE PELIGRO DE INCENDIO.*



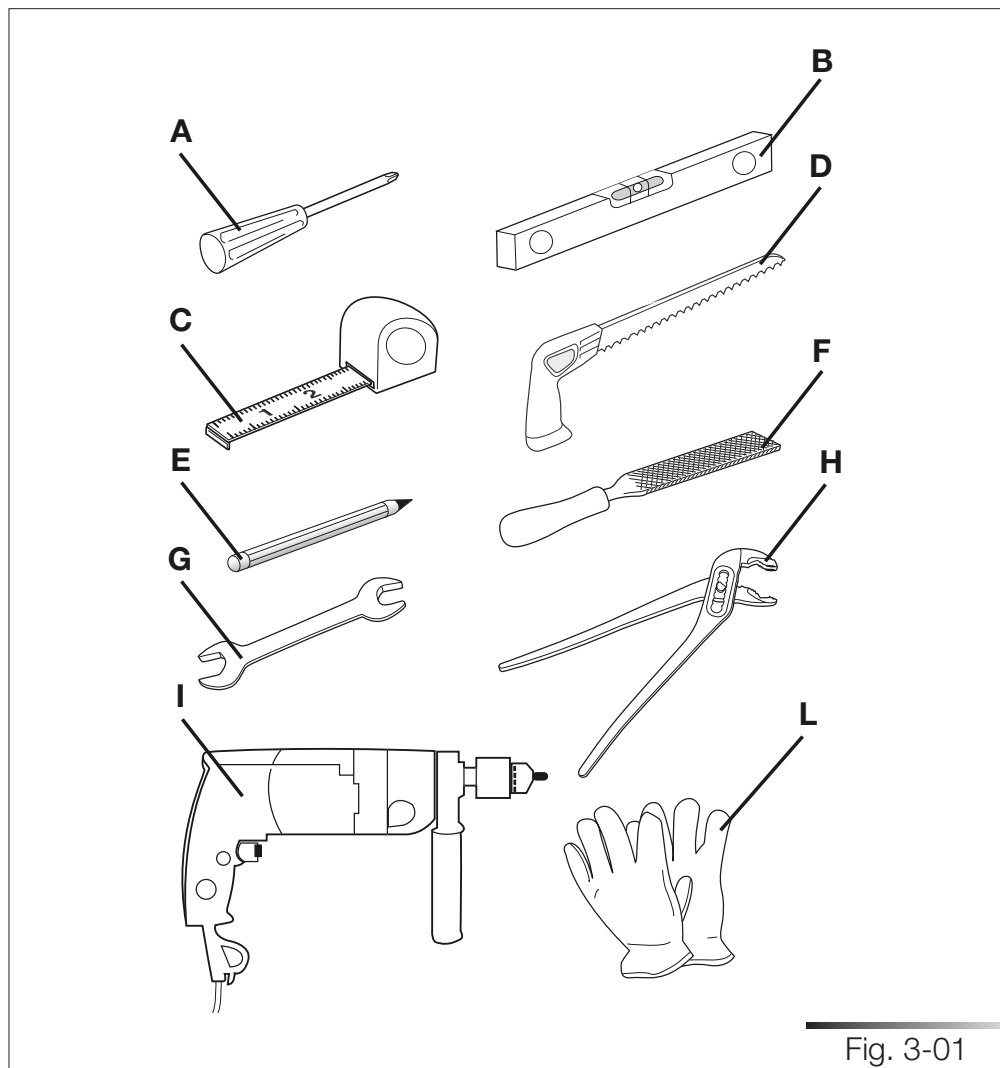
***EL FABRICANTE NO SE ASUME NINGUNA RESPONSABILIDAD EN CASO DE DAÑOS SUFRIDOS POR PERSONAS, COSAS Y ANIMALES, PROVOCADOS POR EL INCUMPLIMIENTO DE LAS PRESCRIPCIONES CITADAS O DEBIDOS A LA VIOLACIÓN DE ALGUNA PIEZA DEL APARATO O AL EMPLEO DE REPUESTOS NO ORIGINALES.***

***EN CASO DE DUDAS SOBRE LO DESCRITO EN ESTE MANUAL, PÓNGASE EN CONTACTO CON EL SERVICIO DE ASISTENCIA TÉCNICA.***

### 3 MATERIALES NECESARIOS PARA LA INSTALACIÓN

Para realizar correctamente la instalación del lavavajillas son necesarios los siguientes materiales:

- destornillador de cruz (ref. A fig. 3-01);
- nivel (ref. B fig. 3-01);
- metro (ref. C fig. 3-01);
- serrucho (ref. D fig. 3-01);
- lápiz (ref. E fig. 3-01);
- lima (ref. F fig. 3-01);
- llave ahorquillada de 13 mm (ref. G fig. 3-01);
- pinza (ref. H fig. 3-01);
- taladro (ref. I fig. 3-01);
- guantes de seguridad (ref. L fig. 3-01).



### 3.1 Kit equipo base del lavavajillas (C-D-E-F solamente para el modelo F6DW24FI1)

El kit que forma parte del suministro del lavavajillas se compone de:

- 1 protección vapor adhesiva (según los modelos) (ref. A fig. 3-02);
- 1 protección vapor de acero (según los modelos) (ref. B fig. 3-02);
- 1 plantilla de taladrado para el panel puerta (ref. C fig. 3-02);
- 2 enganches para el panel puerta (ref. D fig. 3-02);
- 8 tornillos de fijación enganches panel puerta (ref. E fig. 3-02);
- 2 tornillos de fijación puerta (ref. F fig. 3-02);
- 4 tornillos de fijación a las paredes adyacentes (ref. G fig. 3-02);
- 2 tornillos de fijación superior (ref. H fig. 3-02);
- 2 tapones cubretornillo (ref. I fig. 3-02);

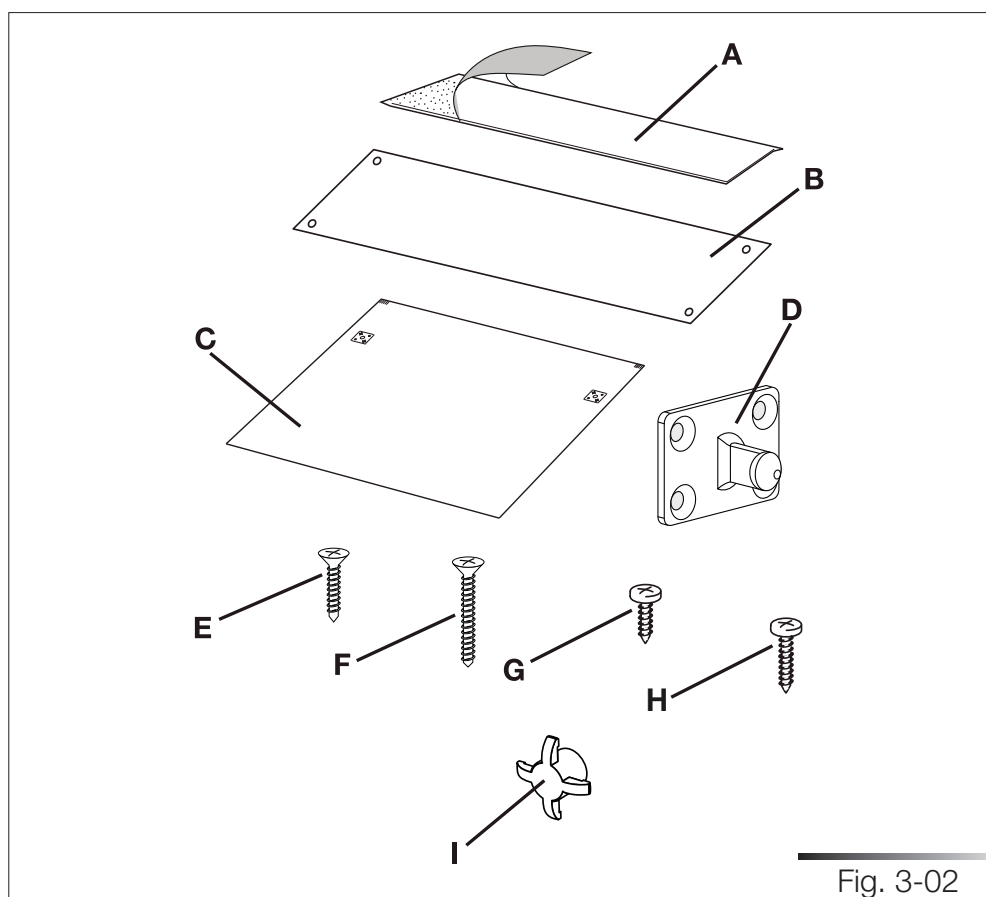


Fig. 3-02

\* La protección adhesiva está indicada para las cocinas con encimera que no permita la fijación de la protección de acero con los tornillos (p.ej. mármol o mampostería), pero también se puede utilizar para otros materiales.

**4** **DIMENSIONES DEL LAVAVAJILLAS** *(Véase la fig. 4-01)*

Modelo	A (altura)	B (anchura)	C (profundidad)
F6DW24F11	86 cm - 93 cm 33-14/16" - 36-10/16"	59,7 cm - 59,9 cm 23-1/2" - 23-5/8"	55 cm 21-5/8"
F6DW24SS1 F6PDW24SS1			57 cm 22-4/8"

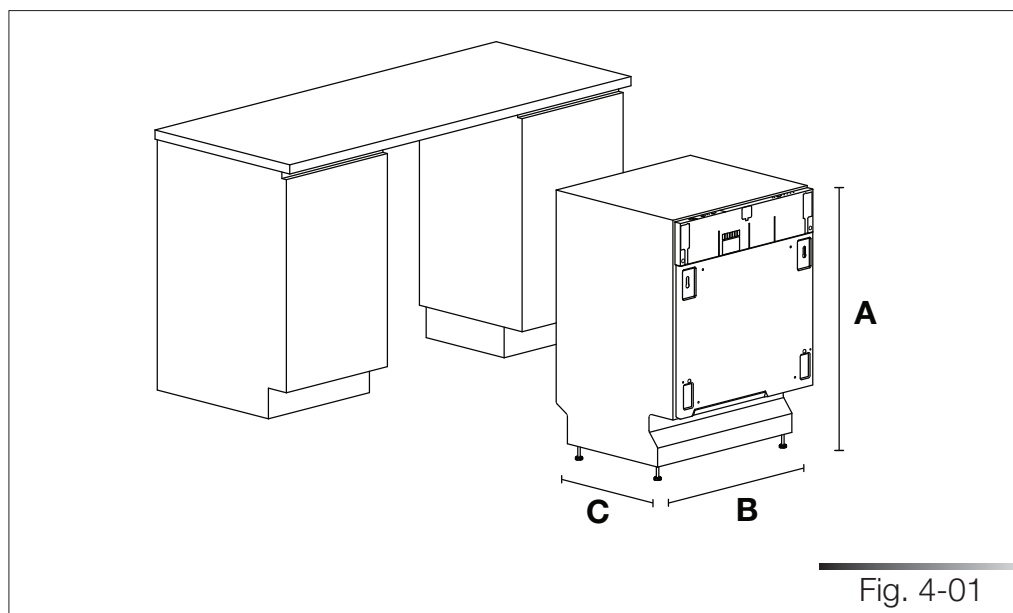


Fig. 4-01

## 5 INSTRUCCIONES PARA LA INSTALACIÓN Y LA PUESTA EN OBRA



*DURANTE LA INSTALACIÓN TENGA CUIDADO CON LOS BORDES CORTANTES PRESENTES EN EL LAVAVAJILLAS, PARA EVITAR HERIDAS.*

Elimine los elementos de protección de los cestos de poliestireno. Coloque el aparato en el lugar deseado. El lavavajillas se puede instalar apoyando las paredes laterales o el respaldo a los muebles o a las paredes. En caso de que decida instalar el aparato cerca de una fuente de calor, coloque entremedio de ambos electrodomésticos un panel termoaislante para prevenir eventuales recalentamientos y funcionamientos anómalos. Para asegurar la estabilidad, recuerde que eventuales aparatos panelables o integrables se deberán instalar únicamente bajo encimeras continuas, atornillándolos a los muebles contiguos o a la encimera de la cocina.



*ESTÁ **ABSOLUTAMENTE PROHIBIDO** EMPOTRAR EL LAVAVAJILLAS DEBAJO DE UNA ENCIMERA DE VITROCERÁMICA. ES POSIBLE EMPOTRAR EL LAVAVAJILLAS DEBAJO DE UNA ENCIMERA TRADICIONAL A CONDICIÓN DE QUE LA SUPERFICIE DE TRABAJO DE LA COCINA SEA **CONTINUA** Y EL LAVAVAJILLAS Y LA ENCIMERA ESTÉN **INSTALADOS Y FIJADOS CORRECTAMENTE**, DE TAL MODO QUE **NO PUEDAN ENGENDRAR SITUACIONES DE PELIGRO.***



***ASEGÚRESE DE QUE UN TÉCNICO COMPETENTE HAYA REALIZADO CORRECTAMENTE LA INSTALACIÓN Y LA CONEXIÓN A TIERRA DEL LAVAVAJILLAS. ES INDISPENSABLE QUE ESTE REQUISITO DE SEGURIDAD ESTÉ CUMPLIDO. PARA CUALQUIER DUDA SE PONGA EN CONTACTO CON PERSONAL COMPETENTE. EL PRODUCTOR NO TENDRÁ NINGUNA RESPONSABILIDAD EN CASO DE DAÑOS A PERSONAS O COSAS PROVOCADOS POR LA FALTA DE CONEXIÓN O POR LA CONEXIÓN DEFECTUOSA DE LA LÍNEA DE TIERRA.***



***ANTES DE REALIZAR LA INSTALACIÓN, DESCONECTA LA ALIMENTACIÓN ELÉCTRICA DEL ÁREA DE TRABAJO.***

### Sólo para modelos de instalación libre

- Está absolutamente prohibido montar una encimera sobre el lavavajillas de instalación libre.

- En caso de que el aparato no esté empotrado en un nicho y, por lo tanto, pueda accederse al mismo por un costado, deberá revestirse la parte de la bisagra puerta por razones de seguridad (peligro de lesiones). Las cubiertas pueden ser pedidas como accesorios a los vendedores especializados o al servicio de Asistencia Técnica.
- Para empotrar el lavavajillas es necesario adquirir **el kit específico dirigiéndose** a los vendedores autorizados o al servicio de Asistencia Técnica.

## 5.1 Nivelación

### 5.1.1 Nivelación del aparato

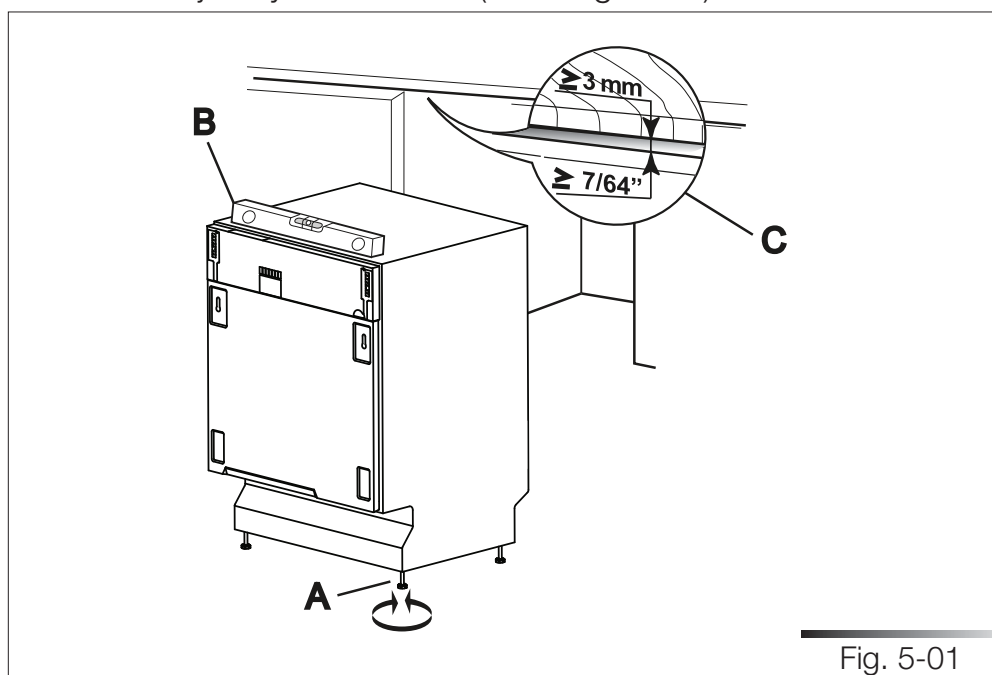
Nivele el aparato al suelo sirviéndose de los pies ajustables correspondientes (p.ej. ref. A fig. 5-01); gire la base de apoyo de los pies, utilizando una llave ahorquillada apropiada, hasta nivelar correctamente el lavavajillas.

Algunos modelos están provistos de un solo pie trasero regulable mediante un tornillo situado abajo en la parte delantera del aparato (ref. A fig. 5-02); gire el tornillo correspondiente, utilizando un destornillador/atornillador de cruz o un casquillo hexagonal de 8 mm, hasta que el lavavajillas esté nivelado correctamente.

Para controlar la correcta nivelación del aparato, apoye un nivel sobre ello (ref. B fig. 5-01).

Las operaciones de nivelación son indispensables para asegurar el correcto funcionamiento del lavavajillas.

Asegúrese de que haya un espacio de por lo menos 3 mm (7/64") entre la parte superior del lavavajillas y la encimera (ref. C fig. 5-01).



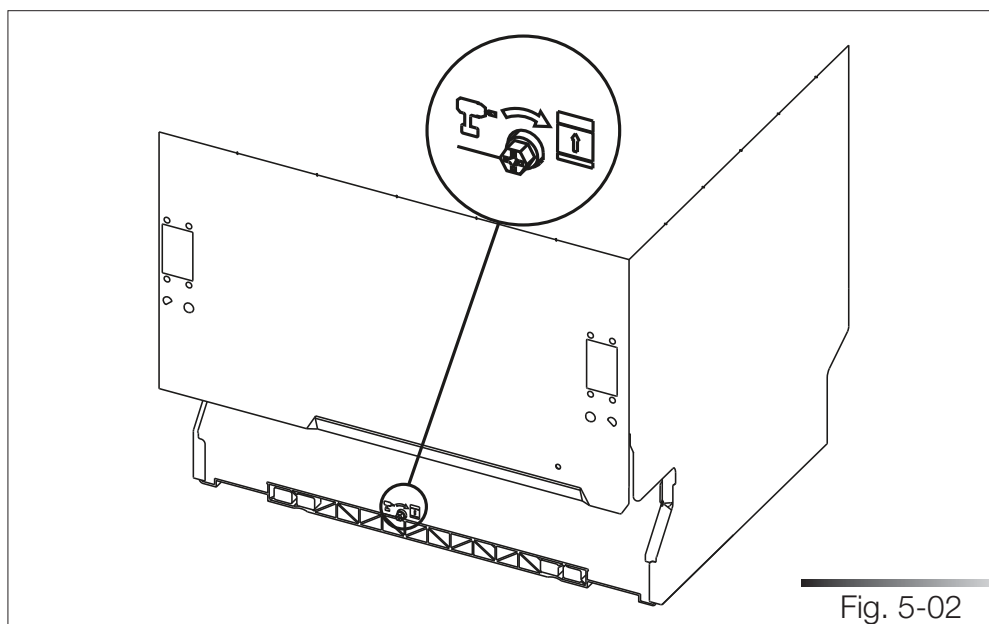


Fig. 5-02

## 5.2 Realización de las conexiones

El lavavajillas se debe instalar para permitir acceder fácilmente a las conexiones eléctricas e hidráulicas mediante el mueble contiguo. Por ningún motivo estas conexiones deberán estar detrás del lavavajillas.

Los tubos de alimentación y evacuación del agua se pueden orientar en cualquier dirección, prestando atención en que no queden doblados o estrangulados y no estén tensados demasiado. Una vez orientados los tubos en la dirección requerida se deberá controlar que la virola de fijación quede apretada correctamente.

En la figura 5-03 se indican las distancias que se deben mantener entre el lavavajillas y las diferentes conexiones.



**¡PELIGRO DE INCENDIO!**  
**NO CUBRA NI APLASTE EL ENCHUFE DEL CABLE ELÉCTRICO.**

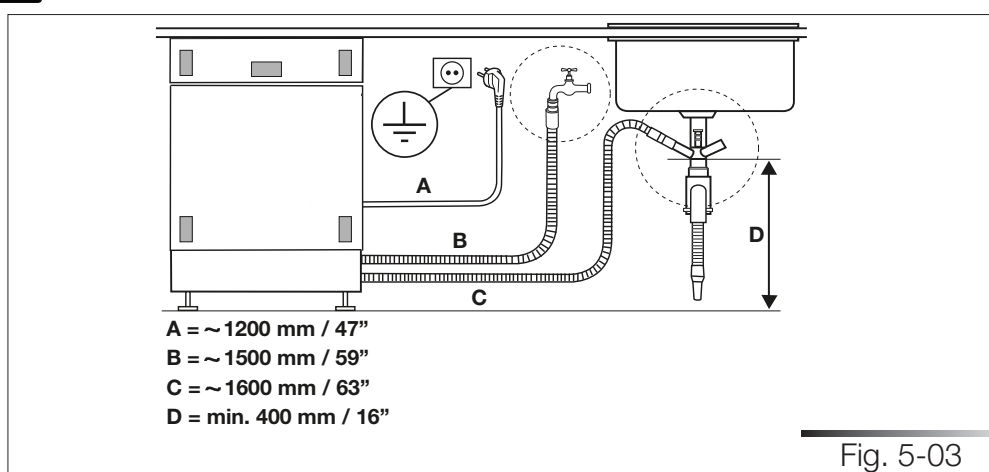


Fig. 5-03

Para el paso de los tubos y del cable de alimentación se requiere un agujero de por lo menos 8 cm (5/32") de diámetro (ref. A fig. 5-04).

Asegúrese de que no haya bordes ásperos que puedan dañar el cable de alimentación o los tubos. Si se instala el lavavajillas en un módulo metálico, proteja el borde del agujero por el cual pasan los tubos y el cable con una junta. Para la conexión eléctrica no utilice prolongadores porque no garantizan la seguridad.



**¡ATENCIÓN!**

*SI SE INSTALA EL LAVAVAJILLAS EN UN ESPACIO ESTRECHO SE PUEDE DOBLAR O APLASTAR EL CABLE DE ALIMENTACIÓN ELÉCTRICA. PRESTE LA MÁXIMA ATENCIÓN PARA REDUCIR LA POSIBILIDAD DE QUE EL CABLE DE ALIMENTACIÓN SUFRA DAÑOS CUANDO SE INSTALA O SE DESMONTA EL ELECTRODOMÉSTICO.*

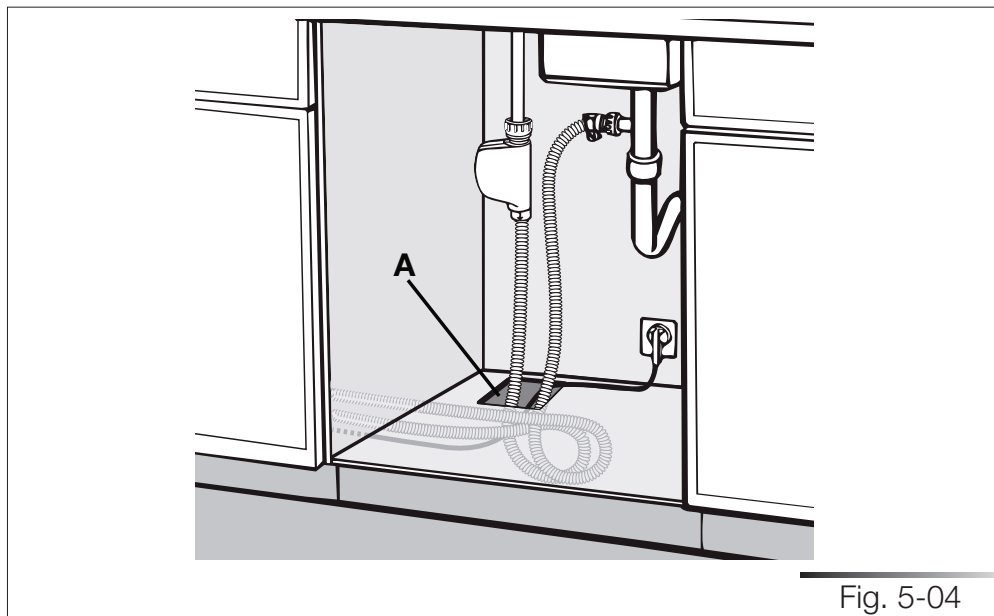


Fig. 5-04

### 5.2.1 Conexión a la red de distribución del agua



**PREVENGA EVENTUALES RIESGOS DE OBSTRUCCIÓN O AVERÍAS:** SI LA TUBERÍA DEL AGUA FUESE NUEVA O QUEDARA INUTILIZADA POR MUCHO TIEMPO, ANTES DE CONECTAR EL APARATO A LA RED DE DISTRIBUCIÓN DEL AGUA, CONTROLE QUE EL AGUA SALGA BIEN LIMPIA Y SIN IMPUREZAS PARA EVITAR QUE SE VERIFIQUEN DESPERFECTOS EN EL APARATO. **PARA LA CONEXIÓN DEL LAVAVAJILLAS A LA RED DE DISTRIBUCIÓN DEL AGUA, SÍRVASE EXCLUSIVAMENTE DE TUBOS NUEVOS; NUNCA VUELVA A UTILIZAR TUBOS VIEJOS O USADOS.**



### 5.2.1.1 Conexión a la toma de agua

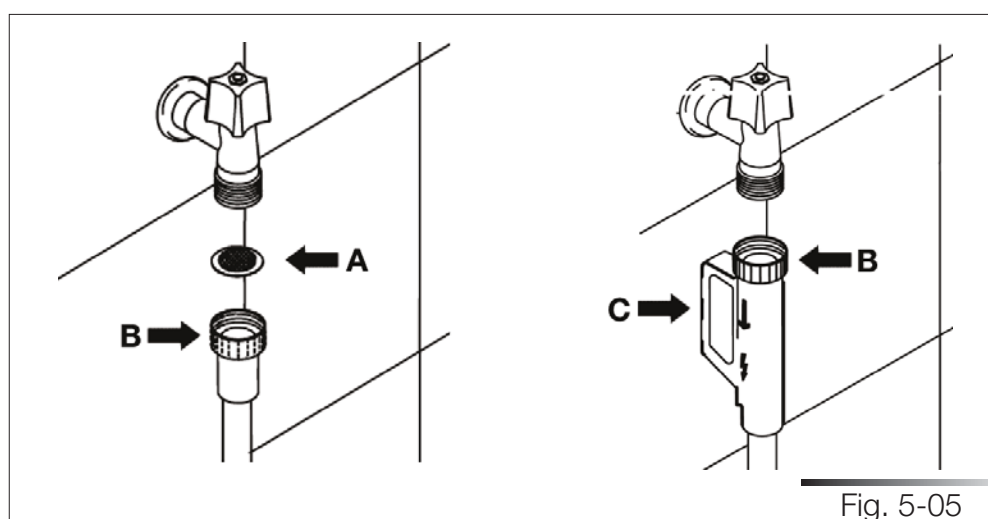
Conecte el tubo de alimentación a la toma de agua fría con un casquillo roscado  $\frac{3}{4}$ " gas, interponiendo el filtro (ref. A fig. 5-05) que forma parte del equipo base. **Fije firmemente el tubo enroscando con las manos la virola correspondiente (ref. B fig. 5-05); complete la operación ajustando con una pinza de  $\frac{1}{4}$  de vuelta. En los modelos dotados de AGUASTOP (ref. C fig. 5-05) el filtro se suministra empalmado de antemano en el casquillo roscado.**

**El lavavajillas se puede alimentar con agua que no supere los 60°C (140°F).** Alimentando el aparato con agua caliente, el tiempo de lavado sufrirá una reducción de unos 20 minutos, pero su eficacia de lavado se mantendrá a un nivel levemente inferior. La conexión se deberá efectuar a la toma de agua caliente para uso doméstico, siguiendo las mismas instrucciones señaladas para la conexión a la toma de agua fría.

- Temperatura recomendada: 49°C (120°F), máx. 60°C (140°F).
- Presión del agua recomendada: 0,5 - 9 bares (7 -130 PSI).

Si la presión es demasiado alta, se deberá instalar un reductor de presión.

**Un tubo de goma conectado a un "sink spray" (lanza pulverizadora instalada en el fregadero) puede estallar si se instala en la misma tubería que alimenta el lavavajillas. Si su fregadero está dotado de este accesorio, se recomienda desconectar el tubo y cerrar el agujero.**

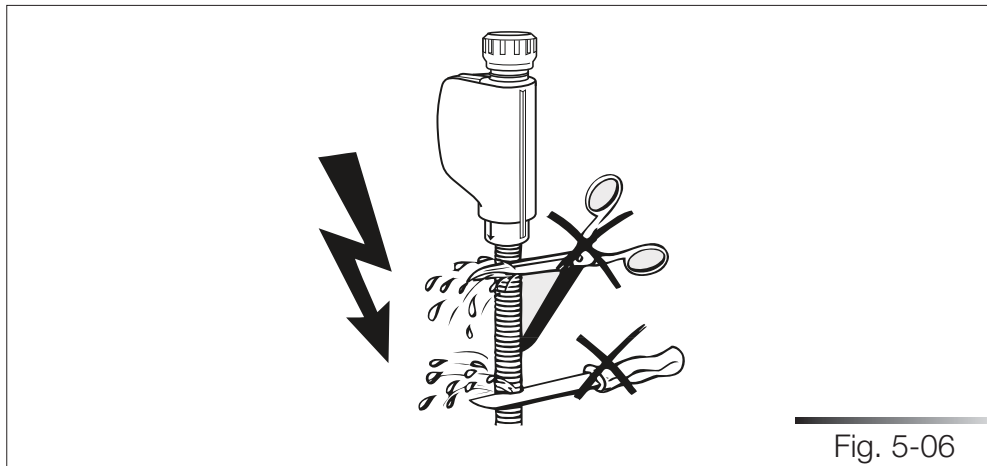


No corte el tubo de alimentación (véase la fig. 5-06).

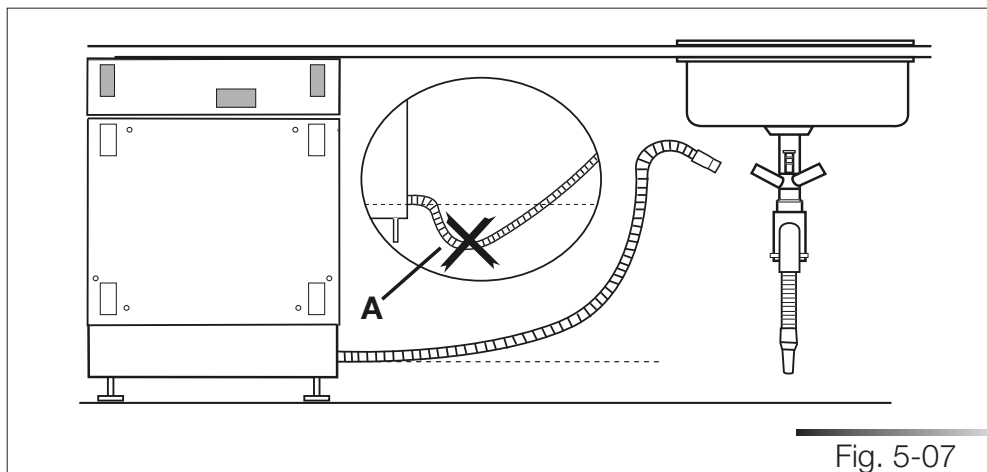
Si se corta el tubo, el lavavajillas no funcionará, se producirá una pérdida de agua y se podrá herirse.

Si el tubo es demasiado largo, enróllelo ordenadamente y sitúelo detrás del aparato.

El cableado y los componentes eléctricos no deben entrar en contacto con la instalación hidráulica ni con los tubos de alimentación y evacuación del agua.



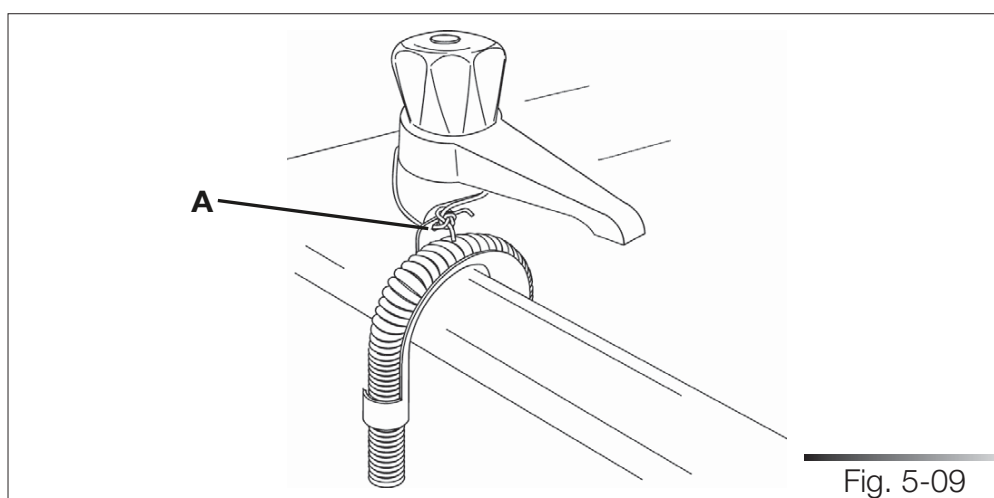
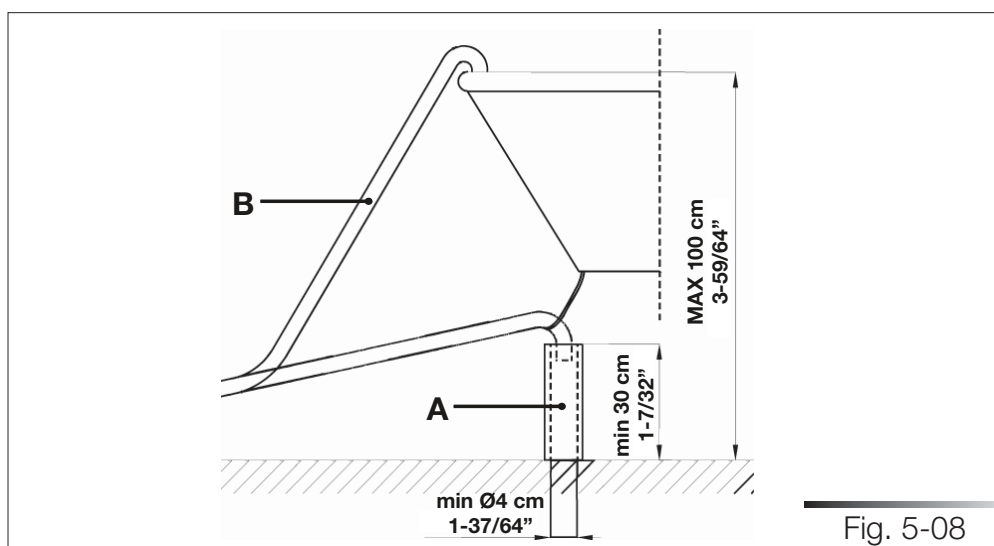
Cuando conecte el tubo de evacuación del lavavajillas al fregadero asegúrese de que dicho tubo no se doble (ref. A fig. 5-07), para evitar grietas o roturas que lo dañarían.



## 5.2.1.2 Conexión del tubo de evacuación

### Conexión a una tubería de evacuación

Introduzca el tubo correspondiente en una tubería de evacuación que presente un diámetro mínimo de **4 cm (1-37/64")** (ref. A fig. 5-08); como alternativa, apoye el tubo en el fregadero (ref. B fig. 5-08) utilizando el soporte para el tubo suministrado junto al aparato (véase la fig. 5-09), teniendo cuidado de evitar curvas demasiado acentuadas o estrangulamientos. Lo importante es evitar que el tubo se desenganche y se caiga. Es por ello que el soporte para el tubo está terminado con un orificio (ref. A fig. 5-08) que se puede asegurar con un cordón a la pared o a la llave del agua. El extremo que quede libre se deberá colocar a una altura incluida entre **30 y 100 cm (entre 1-7/32" y 3-59/64")** (véase la fig. 5-08) y nunca deberá permanecer bajo el agua. En caso de tubos prolongadores colocados en posición horizontal, a lo largo de una longitud máxima de 3 m, coloque la tubería de evacuación a una altura máxima de **85 cm (3-11/32")** del suelo.

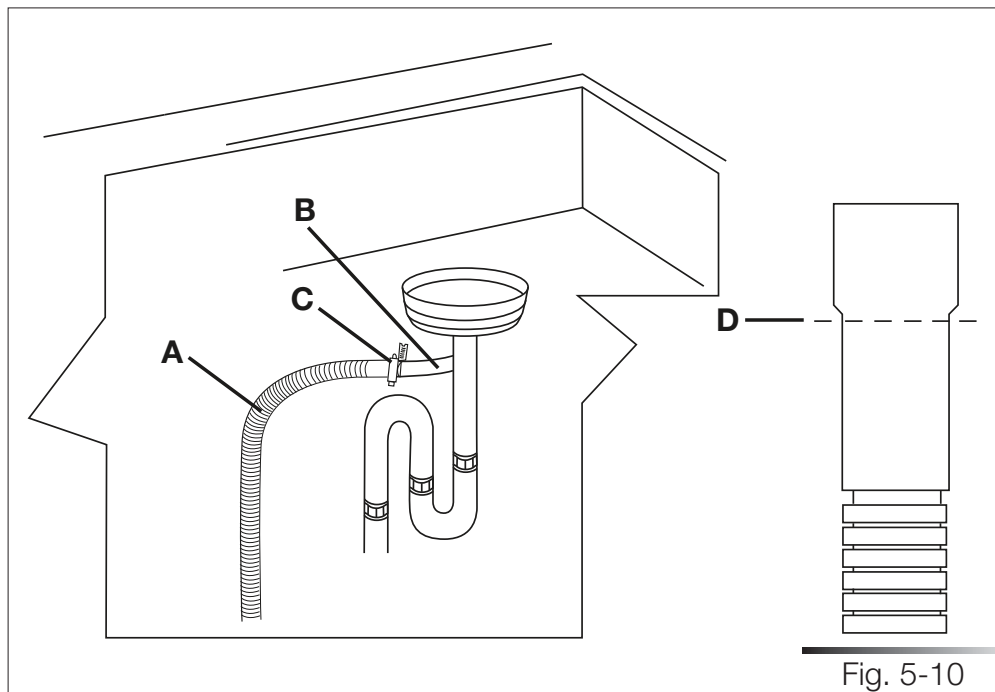


**Conexión a un empalme en "T" del circuito de evacuación**

LA CONEXIÓN SE DEBE REALIZAR ANTES DEL SIFÓN DEL CIRCUITO DE EVACUACIÓN Y POR LO MENOS 400 mm (15-3/4") ENCIMA DEL PAVIMENTO DONDE SE INSTALARÁ EL LAVAVAJILLAS.

1. Conecte el tubo de evacuación del lavavajillas (ref. A fig. 5-10) al empalme en "T" (ref. B fig. 5-10) del circuito de evacuación mediante una abrazadera de destornillador\* (ref. C fig. 5-10) de 38 a 50 mm (de 1-1/2 a 2"); si es necesario, corte el extremo del tubo de evacuación del lavavajillas (ref. D fig. 5-10) (no corte la sección ondulada).

\* Estas piezas se pueden pedir a un vendedor de artículos hidráulicos



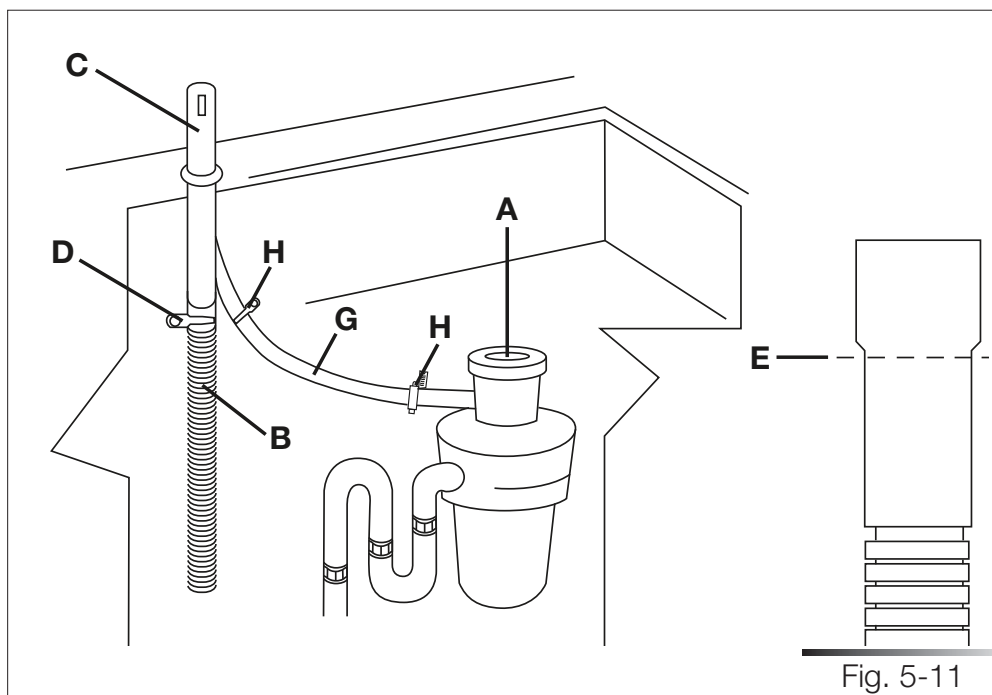
## Conexión a un triturador de desechos en presencia de un hueco de aire

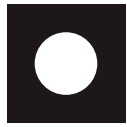


LA CONEXIÓN SE DEBE REALIZAR ANTES DEL SIFÓN DEL CIRCUITO DE EVACUACIÓN Y POR LO MENOS 400 mm (15-3/4") ENCIMA DEL PAVIMENTO DONDE SE INSTALARÁ EL LAVAVAJILLAS.

1. Quite el tapón extraíble del triturador de desechos (ref. A fig. 5-11).
2. Conecte el tubo de evacuación del lavavajillas (ref. B fig. 5-11) al hueco de aire (ref. C fig. 5-11) mediante la amplia abrazadera de muelle (ref. D fig. 5-11); si es necesario, corte el extremo del tubo de evacuación del lavavajillas (ref. E fig. 5-11) (no corte la sección ondulada). Si se ha cortado el tubo de evacuación, utilice una abrazadera de destornillador\* de 38 a 50 mm (de 1-1/2 a 2").
3. Para conectar el hueco de aire (ref. C fig. 5-11) a la entrada del triturador de desechos (ref. F fig. 5-11), utilice un empalme de goma\* (ref. G fig. 5-11) con abrazaderas de muelle o de destornillador\* (ref. H fig. 5-11).

\* Estas piezas se pueden pedir a un vendedor de artículos hidráulicos



**Conexión al hueco de aire (tritador de desechos no presente)**

LA CONEXIÓN SE DEBE REALIZAR ANTES DEL SIFÓN DEL CIRCUITO DE EVACUACIÓN Y POR LO MENOS 400 mm (15-3/4") ENCIMA DEL PAVIMENTO DONDE SE INSTALARÁ EL LAVAVAJILLAS.

1. Conecte el tubo de evacuación del lavavajillas (ref. A fig. 5-12) al hueco de aire (ref. B fig. 5-12) mediante la amplia abrazadera de muelle (ref. C fig. 5-12); si es necesario, corte el extremo del tubo de evacuación del lavavajillas (ref. D fig. 5-12) (no corte la sección ondulada). Si se ha cortado el tubo de evacuación, utilice una abrazadera de destornillador\* de 38 a 50 mm (de 1-1/2 a 2").
2. Para conectar el hueco de aire (ref. B fig. 5-12) al empalme en "T" (ref. E fig. 5-12) del circuito de evacuación, utilice un empalme de goma\* (ref. F fig. 5-12) con abrazaderas de muelle o de destornillador\* (ref. G fig. 5-12).

\* Estas piezas se pueden pedir a un vendedor de artículos hidráulicos

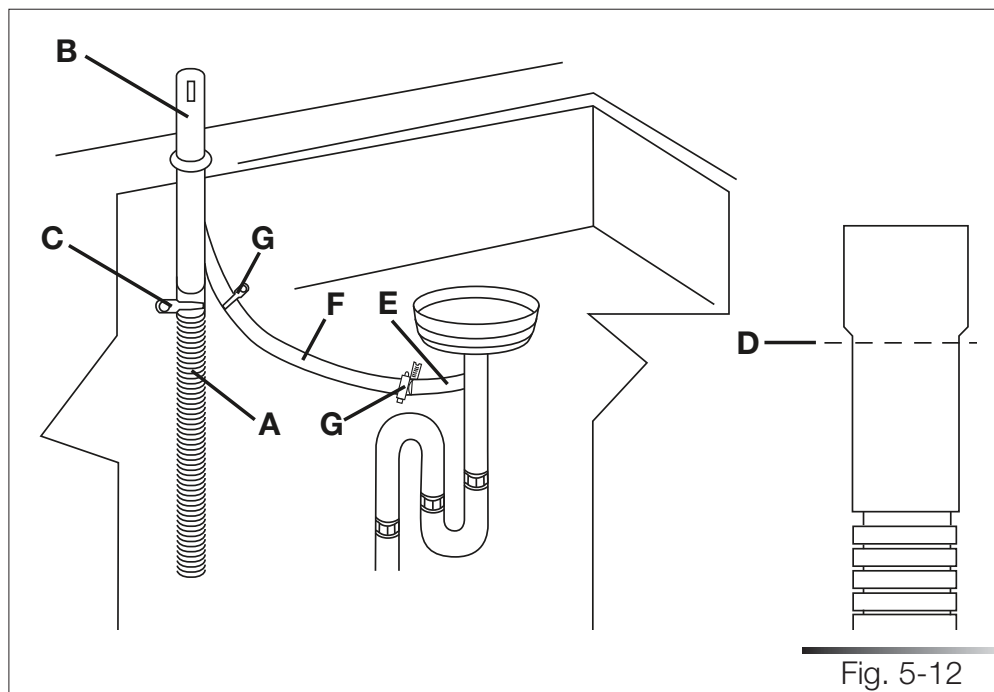


Fig. 5-12

**Conexión a un triturador de desechos (hueco de aire no presente)**

LA CONEXIÓN SE DEBE REALIZAR ANTES DEL SIFÓN DEL CIRCUITO DE EVACUACIÓN Y POR LO MENOS 400 mm (15-3/4") ENCIMA DEL PAVIMENTO DONDE SE INSTALARÁ EL LAVAVAJILLAS.

1. Quite el tapón extraíble del triturador de desechos (ref. A fig. 5-13).
2. Conecte el tubo de evacuación del lavavajillas (ref. B fig. 5-13) a la entrada del triturador de desechos (ref. C fig. 5-13) mediante la amplia abrazadera de muelle (ref. D fig. 5-13).

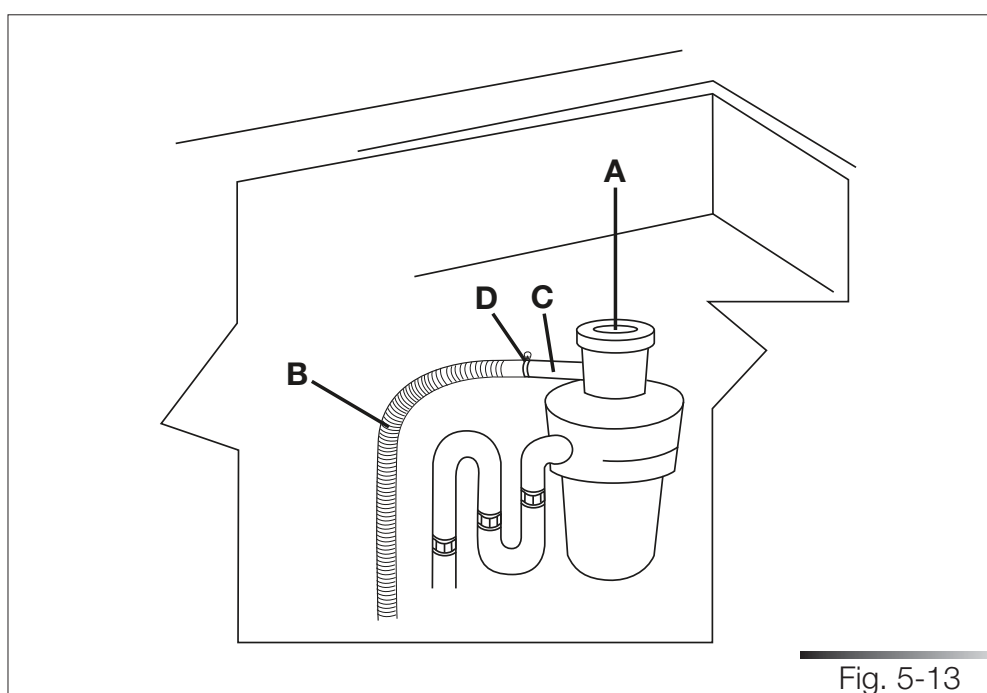


Fig. 5-13

### 5.2.2 *Conexión eléctrica y advertencias*



CONTROLE QUE LOS VALORES DE TENSIÓN Y FRECUENCIA DE RED CORRESPONDAN A LOS QUE SE INDICAN EN LA PLACA DE IDENTIFICACIÓN DEL APARATO SITUADA EN EL BORDE INTERIOR DE LA PUERTA.



**EN CASO DE DAÑARSE EL CABLE DE ALIMENTACIÓN, DEBERÁ SER SUSTITUIDO POR EL FABRICANTE O POR UN CENTRO DE ASISTENCIA AUTORIZADO.**

LA INSTALACIÓN DE ESTE ELECTRODOMÉSTICO DEBE INCLUIR LA PUESTA A TIERRA. EN CASO DE ANOMALÍA O AVERÍA, LA PUESTA A TIERRA REDUCIRÁ EL RIESGO DE ELECTROCUCIÓN, OFRECIENDO UN RECORRIDO DE MENOR RESISTENCIA A LA CORRIENTE ELÉCTRICA.

#### **Instrucciones para la puesta a tierra**



ESTE ELECTRODOMÉSTICO SE DEBE CONECTAR A TIERRA. EN CASO DE ANOMALÍA O AVERÍA, LA PUESTA A TIERRA REDUCIRÁ LOS RIESGOS DE ELECTROCUCIÓN, OFRECIENDO UN RECORRIDO DE MENOR RESISTENCIA A LA CORRIENTE ELÉCTRICA. ESTE ELECTRODOMÉSTICO ESTÁ EQUIPADO CON UN CABLE DOTADO DE CONDUCTOR Y ENCHUFE PARA LA PUESTA A TIERRA. EL ENCHUFE SE DEBE INTRODUCIR EN UNA TOMA ADECUADA, INSTALADA Y CONECTADA A TIERRA CON ARREGLO A LAS LEYES VIGENTES EN EL PAÍS DE INSTALACIÓN.



**ANTES DE REALIZAR LA CONEXIÓN ELÉCTRICA, DESCONECTA LA ALIMENTACIÓN ELÉCTRICA DEL ÁREA DE TRABAJO.**

Este electrodoméstico está equipado con un cable dotado de conductor y enchufe para la puesta a tierra. El enchufe se debe introducir en una toma adecuada, instalada y conectada a tierra con arreglo a las leyes vigentes en el país de instalación.



VERIFIQUE QUE LA INSTALACIÓN ELÉCTRICA DEL LUGAR DE INSTALACIÓN SEA CONFORME A LOS REQUISITOS DE LA LEY EN VIGOR PREVISTOS EN EL PAÍS DE UTILIZACIÓN DEL APARATO Y QUE ESTÉ DOTADA DE UNA PUESTA A TIERRA APROPIADA.



ATENCIÓN: LAS CONEXIONES INAPROPIADAS DEL CONDUCTOR PARA LA PUESTA A TIERRA DEL ELECTRODOMÉSTICO PUEDEN PROVOCAR RIESGOS DE ELECTROCUCIÓN. EN CASO DE DUDAS SOBRE LA PUESTA A TIERRA CORRECTA DEL APARATO, PÓNGASE



*EN CONTACTO CON UN ELECTRICISTA COMPETENTE O UN ENCARGADO DE LA ASISTENCIA TÉCNICA. NO MODIFIQUE EL ENCHUFE QUE FORMA PARTE DEL EQUIPO BASE DEL ELECTRODOMÉSTICO. SI EL ENCHUFE NO ES ADECUADO PARA LA TOMA DE CORRIENTE, PÓNGASE EN CONTACTO CON UN ELECTRICISTA COMPETENTE PARA HACER INSTALAR UNA TOMA ADECUADA.*

El enchufe a instalar en el extremo del cable de alimentación y la toma de corriente correspondiente deberán ser del mismo tipo y reunir los requisitos establecidos por la normativa vigente sobre las instalaciones eléctricas. El enchufe deberá quedar en posición de fácil acceso después de la instalación. **No desconecte nunca el enchufe tirando del cable. En caso de dañarse el cable de alimentación**, deberá ser sustituido por el fabricante o por un centro de asistencia autorizado.



*NO UTILICE PROLONGADORES, ADAPTADORES O DERIVADORES YA QUE PODRÍAN PROVOCAR RECALENTAMIENTOS O QUEMADURAS CON EL CONSIGUIENTE PELIGRO DE INCENDIO.*



*LA SUSTITUCIÓN DEL CABLE DE ALIMENTACIÓN DEBE SER EFECTUADA POR EL FABRICANTE O POR UN CENTRO DE ASISTENCIA AUTORIZADO A FIN DE PREVENIR TODO POSIBLE RIESGO.*

## **5.3 Puesta en obra del lavavajillas**

### **5.3.1 Procedimiento de puesta en obra del lavavajillas**

Limpie la superficie inferior de la encimera, en correspondencia con la puerta del lavavajillas (véase la fig. 5-14) y aplique la protección vapor, según se indica (véase la fig. 5-15, si se aplica la protección adhesiva; véase la fig. 5-16, si se aplica la protección de acero). Esta protección tiene la función de proteger la encimera contra el vapor y el condensado cuando se abre el lavavajillas al final del ciclo de lavado.

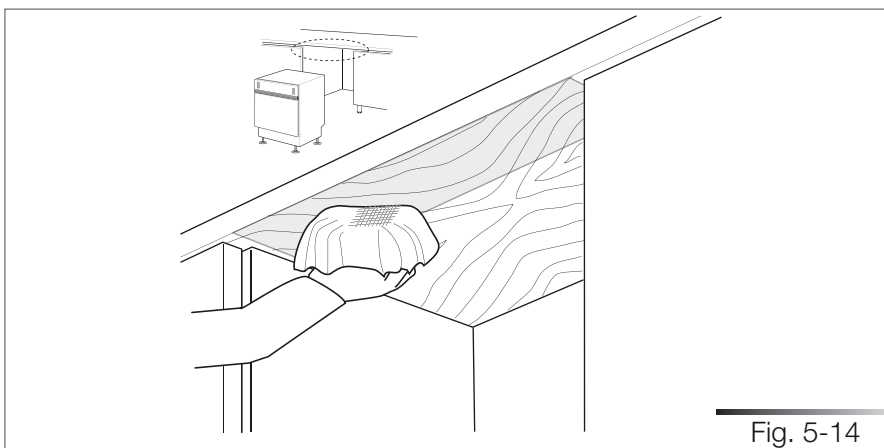
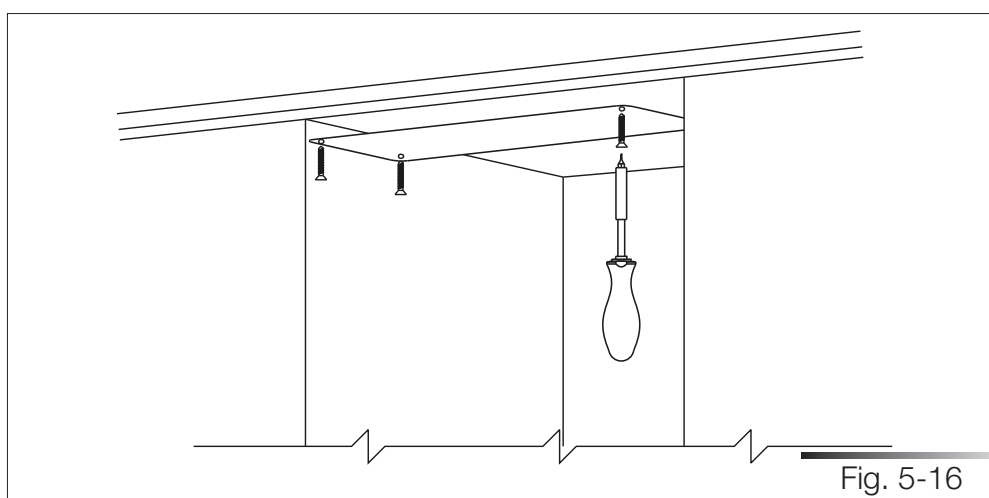
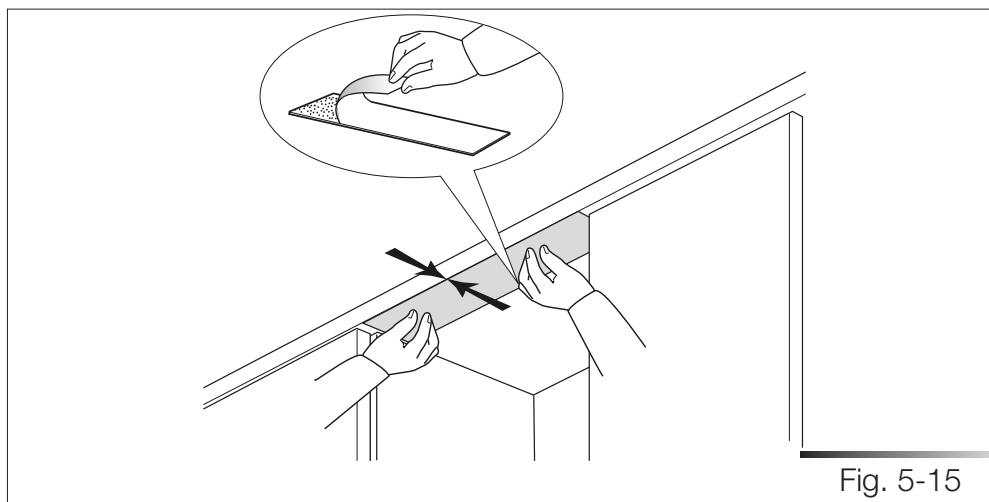


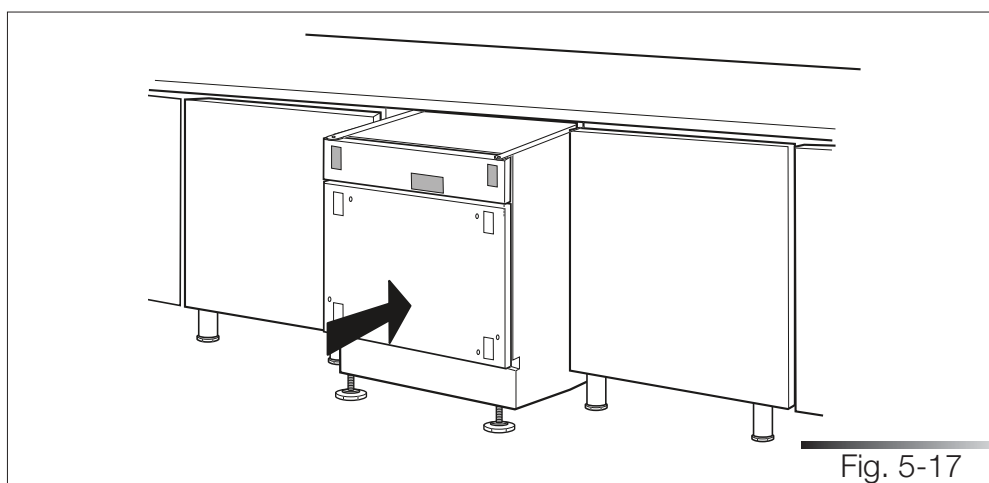
Fig. 5-14



Introduzca el lavavajillas en el vano previsto, asegurándose de que el cable y los tubos eléctricos no estén retorcidos o aplastados (véase la fig. 5-17).



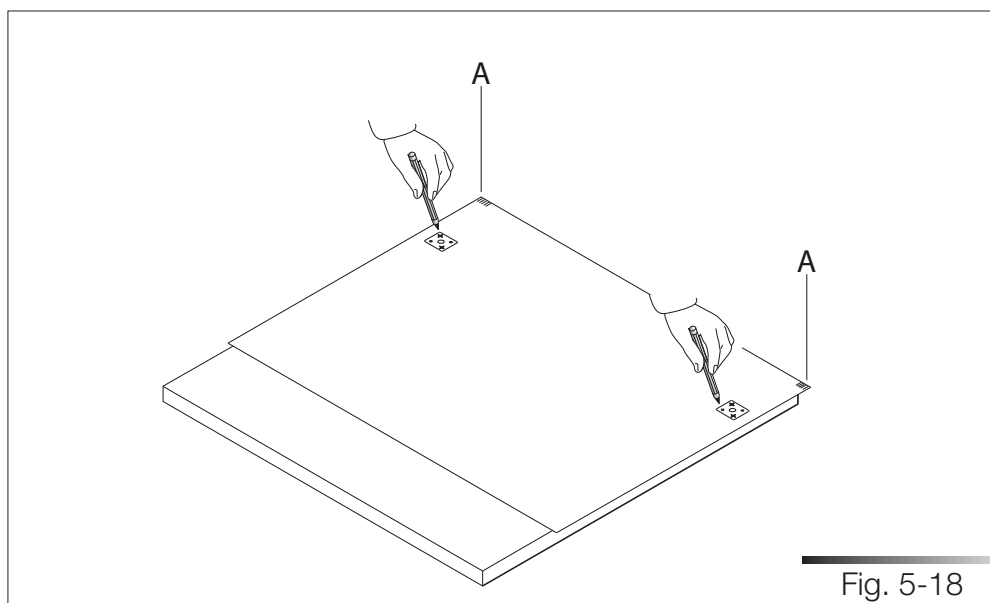
*PARA INTRODUCIR EL LAVAVAJILLAS SON NECESARIAS DOS PERSONAS QUE DEBERÁN LLEVAR LOS ESPECIALES GUANTES DE SEGURIDAD, PARA PREVENIR POSIBLES HERIDAS.*



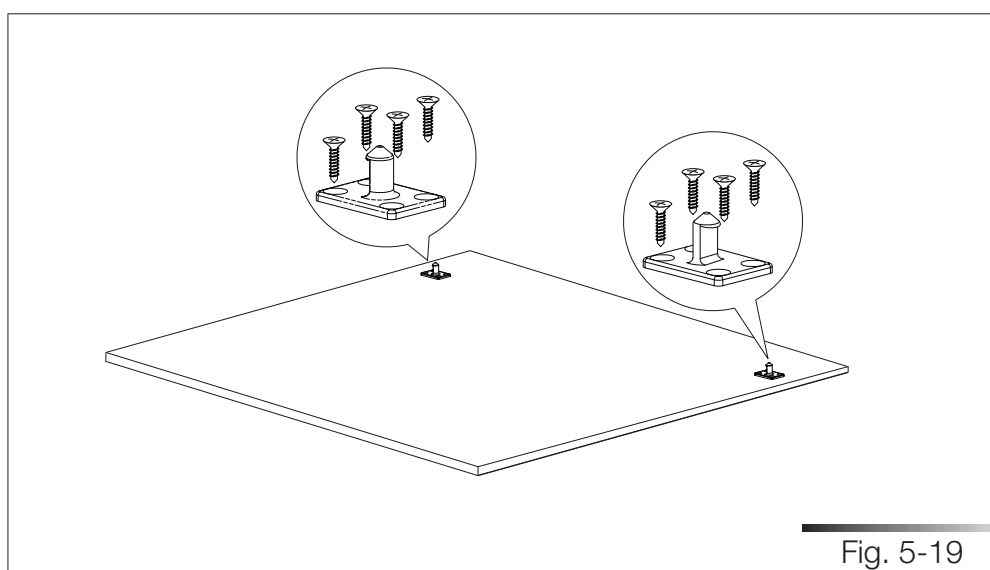
### 5.3.2 Procedimiento de montaje del panel puerta (solamente para el modelo F6DW24FI1)

Instale el panel puerta.

Sitúe la plantilla de taladrado sobre la superficie interior del panel centrándola a lo largo del lado superior del panel y haciendo coincidir las referencias (ref. A fig. 5-18); trace la posición de los enganches de la puerta utilizando un lápiz (véase la fig. 5-18). Quite la plantilla y, utilizando un taladro dotado de una punta específica, taladre el panel en correspondencia con los puntos trazados anteriormente.



Fije, utilizando un destornillador específico, los dos enganches de la puerta con los 8 tornillos que forman parte del equipo base (véase la fig. 5-19) en correspondencia con las referencias marcadas anteriormente.



Realice los agujeros para la manija del panel, utilizando un taladro dotado de una punta adecuada. Utilizando un destornillador específico, fije la manija antes de enganchar el panel al lavavajillas (véase la fig. 5-20).

**NOTA:** los tornillos no forman parte del equipo base.

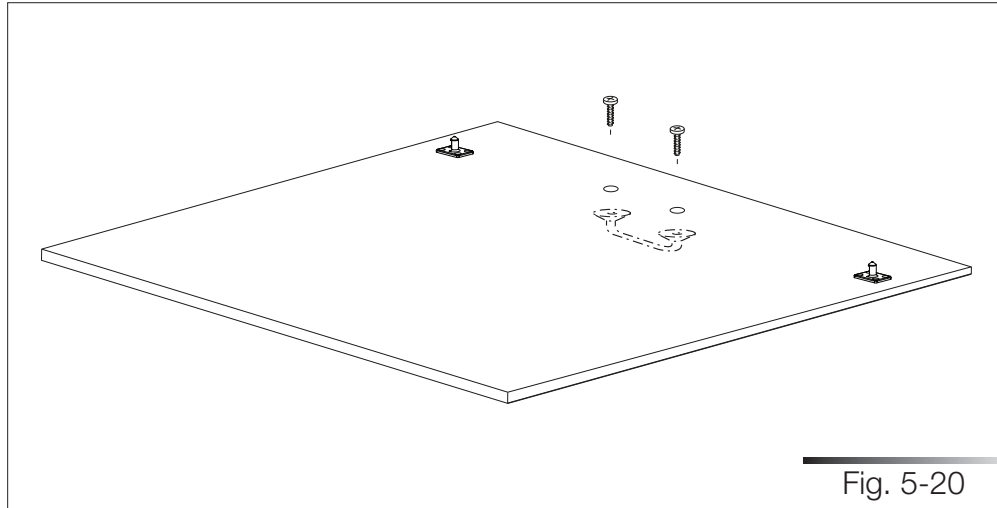


Fig. 5-20

Enganche el panel de la puerta: introduzca los enganches en los lugares indicados, presentes en el lavavajillas, y deje deslizar el panel hacia abajo, para permitir el encaje (véase la fig. 5-21).

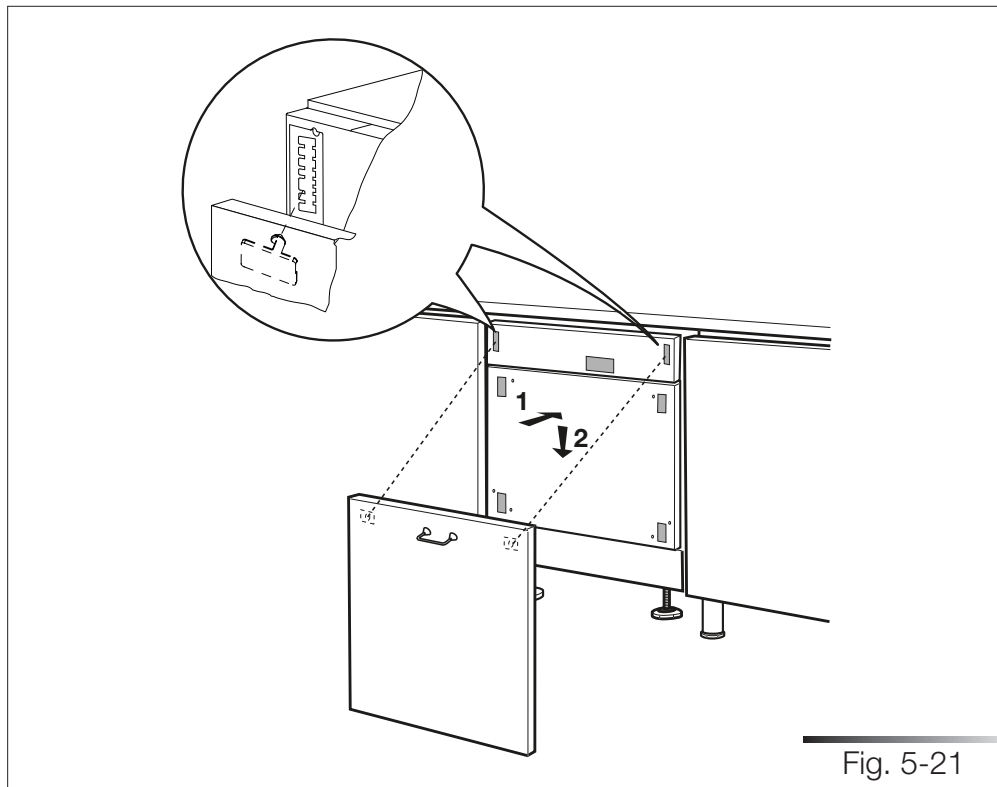
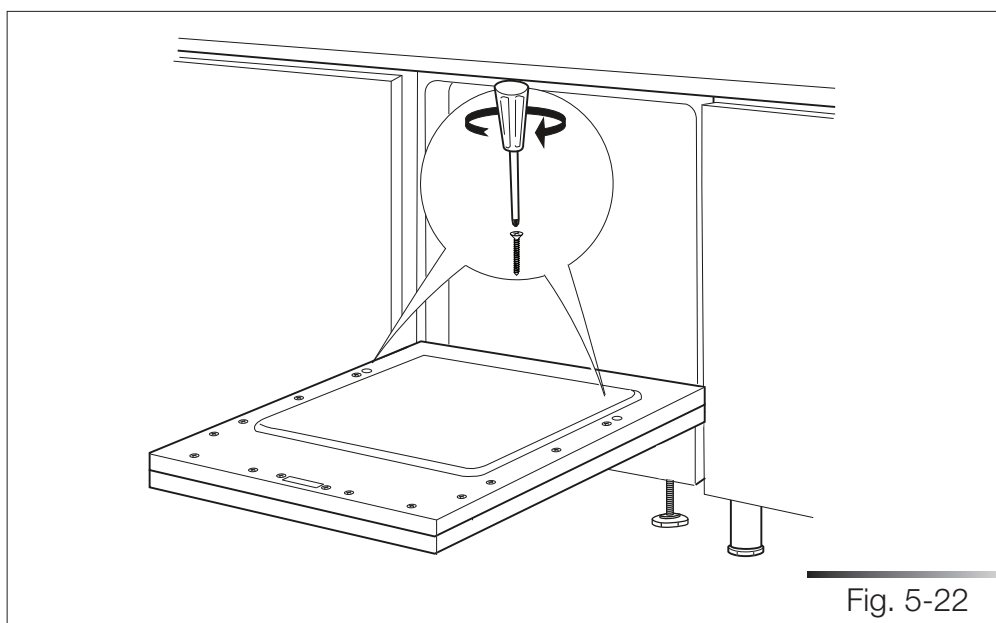
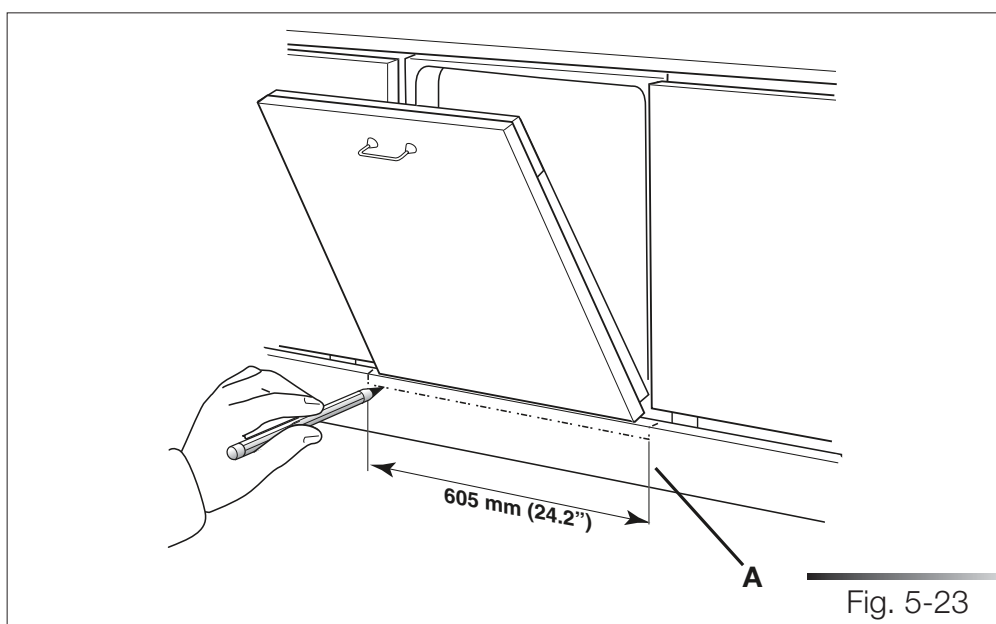


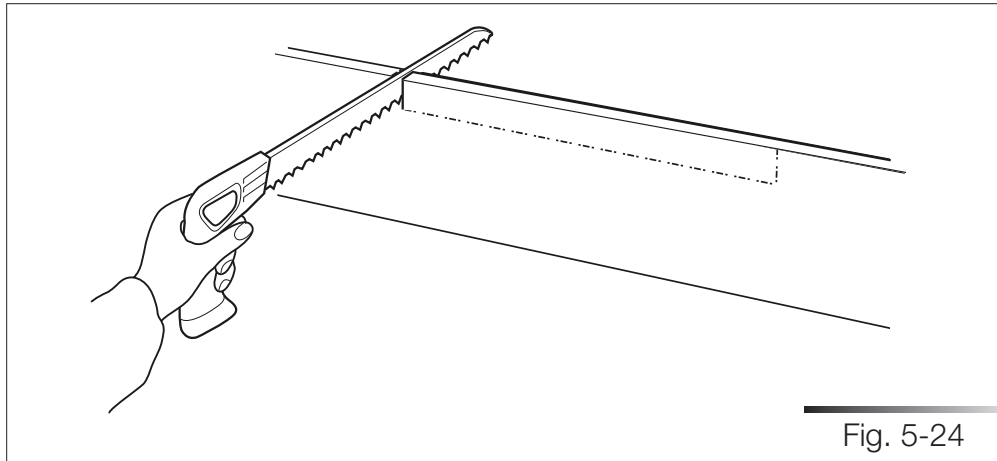
Fig. 5-21

Enrosque la puerta en el panel utilizando los tornillos que forman parte del equipo base. El panel debe tener un espesor de por lo menos 20 mm (25/32") (véase la fig. 5-22).



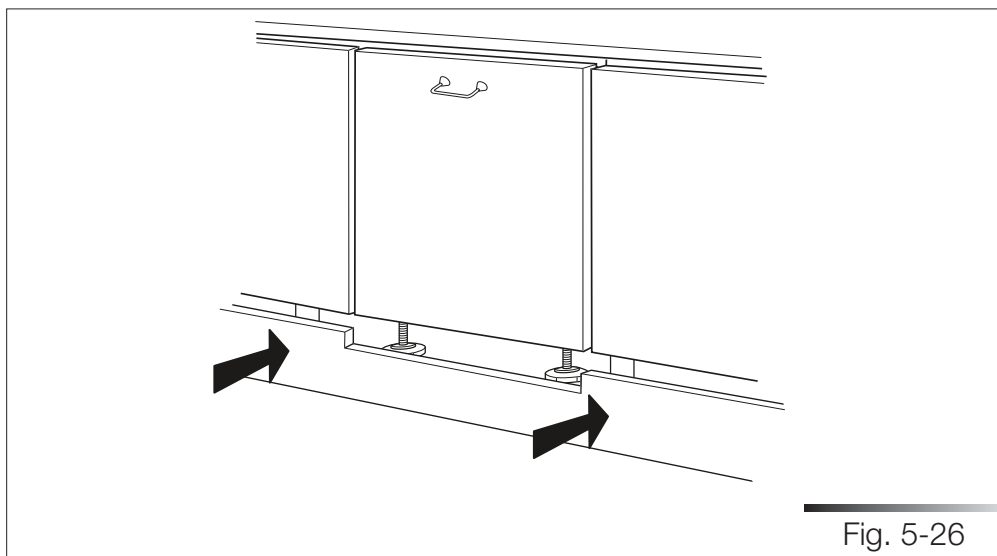
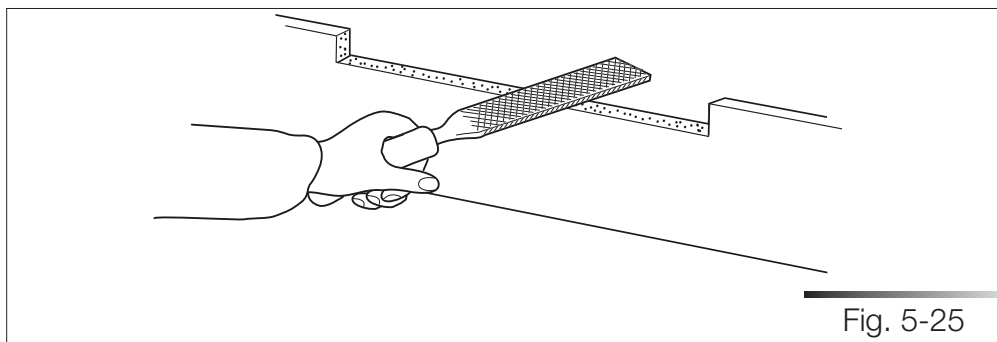
Controle que la puerta del lavavajillas, dotada de panel, se abra fácilmente y que el zócalo situado debajo (ref. A fig. 5-23) no obstaculice su apertura completa. En caso de que el zócalo obstaculice la apertura de la puerta, trace con un lápiz la muesca que se debe realizar (véase la fig. 5-23), quite el zócalo de su lugar y luego córtelo a lo largo de la muesca trazada, utilizando un especial serrucho (véase la fig. 5-24).





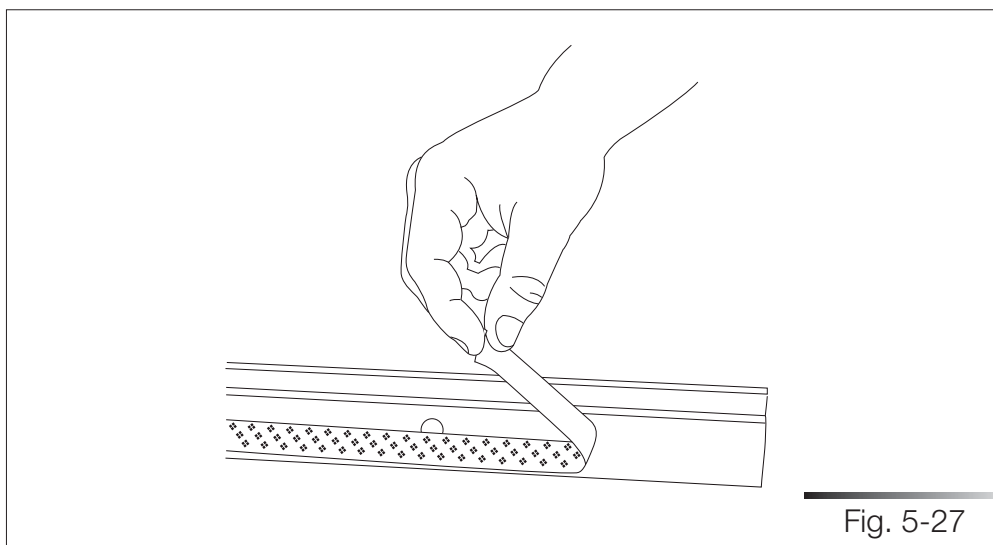
### 5.3.3 Finalización de la puesta en obra del lavavajillas

Acabe la muesca utilizando una lima (véase la fig. 5-25), para eliminar posibles rebabas e/o imperfecciones. Vuelva a situar el zócalo en su lugar (véase la fig. 5-26) y realice una prueba de apertura completa de la puerta del lavavajillas; en caso de que el zócalo todavía obstaculice la apertura completa de la puerta, repita las operaciones de control y realización de la muesca

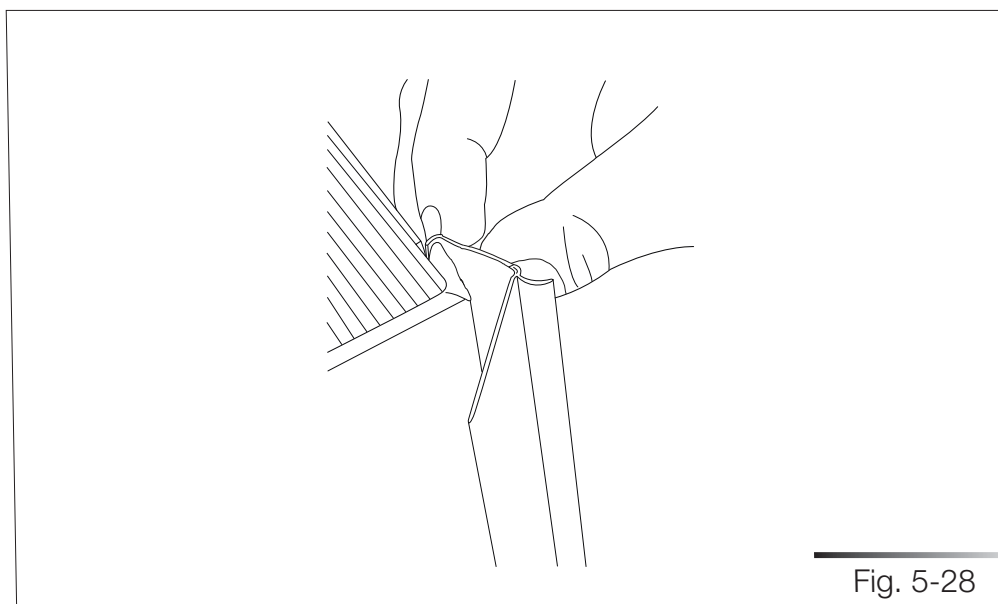


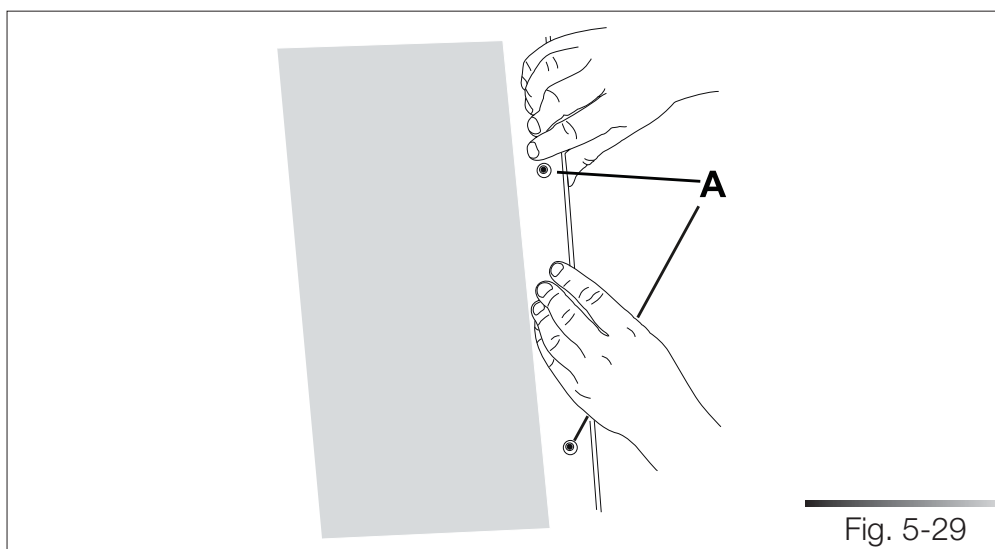
Antes de fijar el lavavajillas en los muebles contiguos, sitúe la junta por los lados del lavavajillas.

Quite la cinta adhesiva presente en la junta (véase la fig. 5-27).

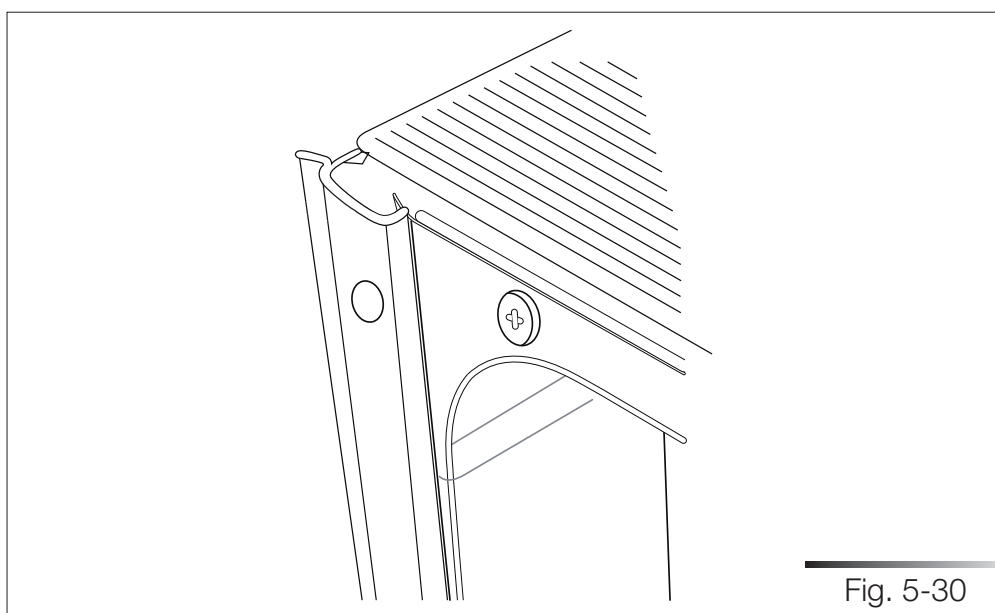


Fije la junta en el lavavajillas, introduciéndola en la sede presente en los lados frontales de la máquina (véase la fig. 5-28) y asegurándose de que el lado mayor de la junta, es decir el que está provisto del orificio para introducir el tornillo, esté fijado en el lado exterior del lavavajillas; el orificio presente en el lado mayor debe coincidir con el orificio presente en el lavavajillas (véase la ref. A fig. 5-29). Controle que la junta se adhiera perfectamente al lavavajillas.



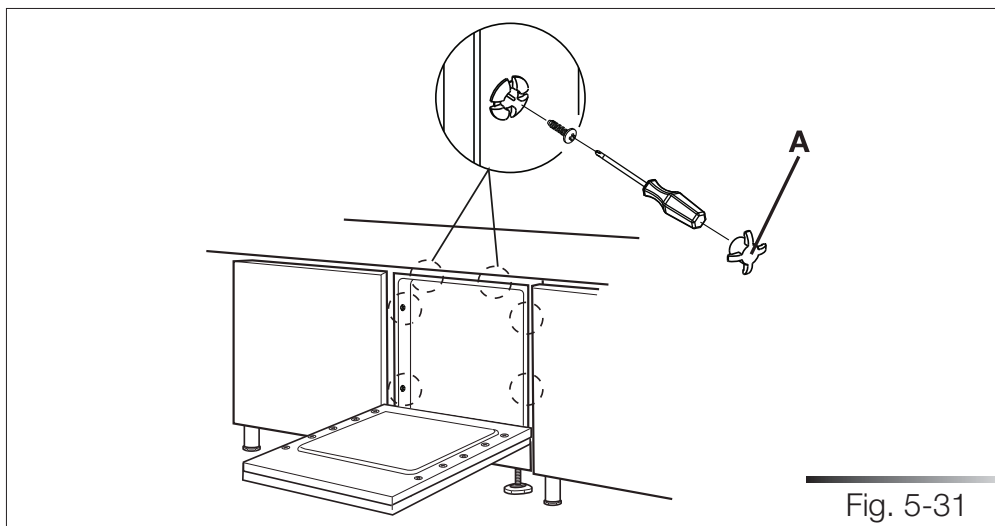


Una vez finalizadas las operaciones listadas anteriormente, la situación final será la ilustrada en la fig. 5-30.



Fije los tornillos que forman parte del equipo base utilizando un destornillador; esta operación es necesaria para fijar definitivamente el lavavajillas en los muebles contiguos; cubra los orificios laterales con las tapas correspondientes (ref. A fig. 5-31).





## 5.4 Prueba

Una vez finalizadas las operaciones de instalación, efectúe una prueba iniciando un ciclo de trabajo, durante el cual se deberá verificar la ausencia de pérdidas de agua y asegurarse de que el lavavajillas no presente malfuncionamientos.





**FULGOR**  
MILANO

————— SINCE 1949 —————