

| OPENING WIDTH | A & C | B |
|---------------|-----------|----------|
| Range 30" | 30" (762) | 6" (152) |
| Range 36" | 36" (914) | 7" (178) |

SHADED AREA:

** NOTE: Ensure your installation also complies with local and national building and fire codes.

If the surface of the entire back wall above the range and below the hood is not composed of a non-combustible material then the 9" accessory back guard must be used.

*Consult local code for exact location requirements.

Note: Clearances from non-combustible materials are not part of the ANSI Z21.1 scope and not certified. Clearances to non-combustible materials must conform with local codes or, in the absence of local codes, with the National Fuel Gas Code, ANSI Z223.1/NFPA 54.

Minimum clearances:

Above cooking surface (above 36" [91.4 cm])

- Sides - 6" (15.2 cm)
- Within 6" (15.2 cm) side clearance, wall cabinets no deeper than 13" (33.0 cm) must be minimum 18" (45.7 cm) above cooking surface
- Wall cabinets directly above product must be a minimum of 48" (122 cm) above cooking surface.
- Rear - 0" with 9" backguard; 0" with non-combustible rear wall.

Below cooking surface (36" [91.4 cm] and below)

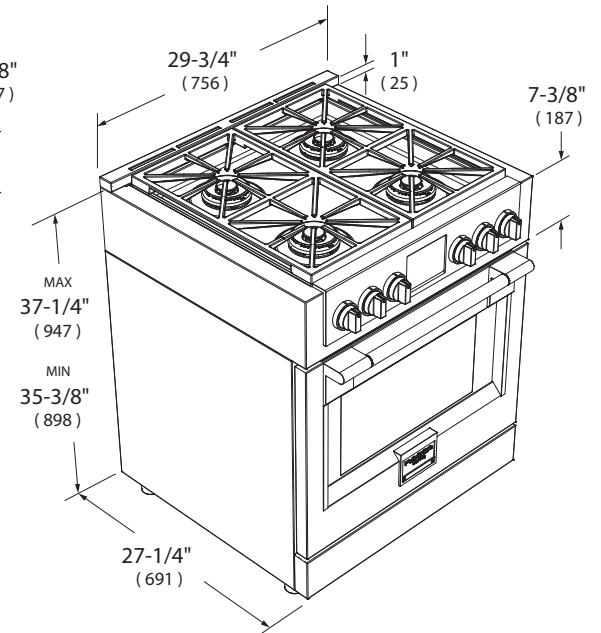
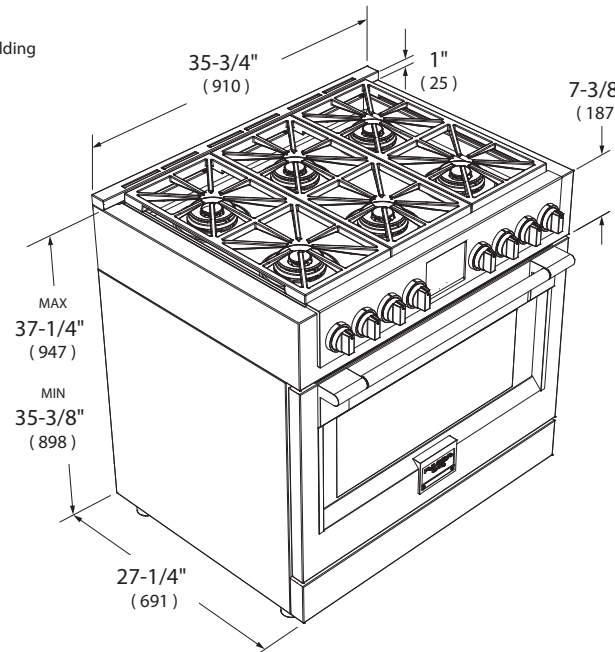
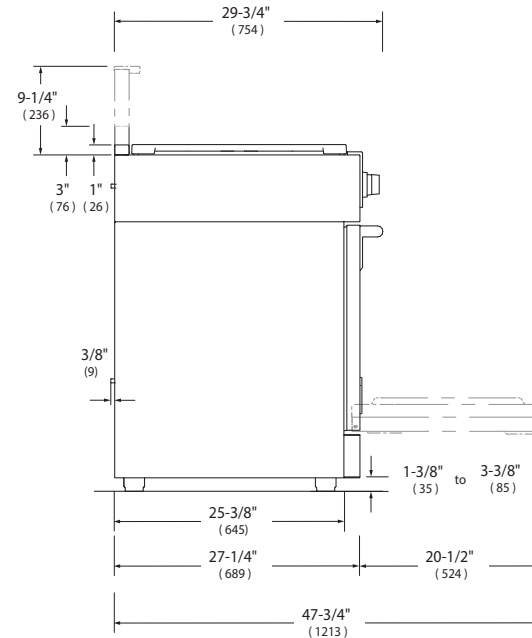
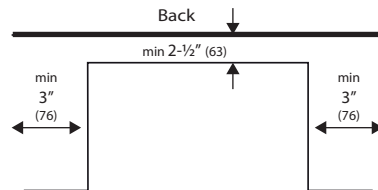
- Install with zero clearance between adjacent combustible construction below the cooking surface and the back and sides of the appliance

ADDITIONAL CLEARANCES:

For island installation, maintain 2-1/2 in. minimum from cutout to back edge of countertop and 3 in. minimum from cutout to side edges of countertop (see top view).

For island installation, 12" (305) minimum clearance back of range to combustible rear wall above countertop.

The island installation is not part of the ANSI Z21.1 scope and not certified.



| PACKAGING 30" | | lb / inch | Kg / mm |
|---------------|---|-----------|---------|
| GROSS WEIGHT | | 322 lb | 146 Kg |
| DIMENSION | W | 33" | 840 |
| | D | 45"3/4 | 1162 |
| | H | 32"1/4 | 820 |

| PACKAGING 36" | | lb / inch | Kg / mm |
|---------------|---|-----------|---------|
| GROSS WEIGHT | | 377 lb | 171 Kg |
| DIMENSION | W | 39" | 990 |
| | D | 45"3/4 | 1162 |
| | H | 32"1/4 | 820 |