

SOFIA PROFESSIONAL 48"

48" ALL GAS PROFESSIONAL RANGE



CODE ID



F6PGR486GS2



- Heavy Duty Grates
- Continuous Grate Surface
- Dual Crescendo Burner
- Trilaminar Stainless Steel Griddle
- Dual Convection (main oven)
- Convection (accessory oven)
- Soft Closing Door
- Nova Broiler System
- Multi-level cooking
- 1 Telescopic Rack
- Cool Touch Door
- Digital Controls

COLOR KIT

	STAINLESS STEEL
	MATTE BLACK RAL 9004
	GLOSSY BLACK RAL 9004
	GLOSSY RED RAL 3003
	GLOSSY WHITE RAL 9016
	MATTE WHITE RAL 9016
	MATTE GREY RAL 9007

OPTIONAL ACCESSORIES

PDRKIT48 ...	Colour kit
FMWOK	Wok ring
FMSIM	Simmer plate
F6BG48BCI	Island trim
F6BG48STD	Standard trim
F6BG48HBT	High back trim
FMTRP30	Griddle
FMTRP18	Telescopic rack

COOKING SURFACE

3 Heavy Duty, continuous cast iron grates
Trilaminar Stainless Steel Griddle with
Tubular Gas Burner
11,500 BTU high / 2,000 BTU low
Matte finish porcelain burner bowl
6 Dual-Flame Crescendo Burners
2 X 20,000 BTU max (NG)
4 X 18,000 BTU max (NG)
Natural Gas (LP convertible)

OVENS

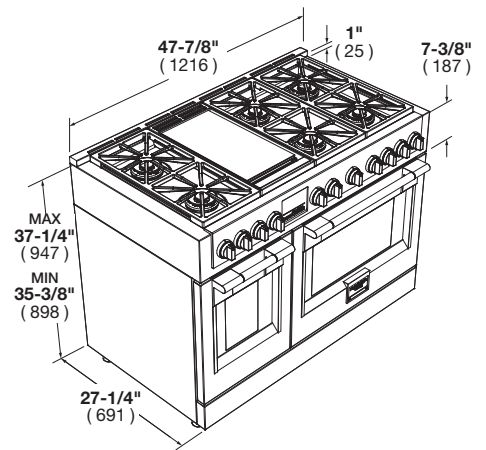
Dual Convection in main oven and
Convection in accessory oven
Black Porcelain enamel interior
Cool to the touch, soft closing door
Extra-large baking cavity and viewing area
3 Halogen lights on main oven
2 Halogen light on convenience oven
Gross capacity 4.4 cu. ft. and 2.7 cu. ft.
2 chromed racks
1 telescopic rack per oven

OVEN FUNCTIONS

Bake
Broil
Convection
True Convection
Sabbath Mode

SOFIA

48" ALL GAS PROFESSIONAL RANGE



CODE ID	F6PGR486GS2 - 48" ALL GAS PROFESSIONAL RANGE			
Series and Finish	600 Series - Professional Design - Stainless Steel			
CONTROL PANEL				
Control Type	11 Heavy Duty Knobs			
Oven Programming	Electronic with 6 Touch Keys			
Display: Clock - Temperature - Function	English language - White LED			
COOKTOP				
Type	GAS (NG or LP)			
Cooking Surface	Matte Black Enamel			
GAS COOKTOP FEATURES				
	Electric Re-ignition system	Dual Crown Burners (Brass or Alluminum)		
	Flame-out sensing	Griddle (flat or with rack)		
	Top Mount Injectors	Pressure Regulator		
	L.P. Conversion Kit	3 Heavy Duty Cast Iron Grates		
Cooking Zones	6 Burner + Griddle			
Burners types	All Dual Flame/Simmer Burner			
Front-L/Front-R - Pwr (Max/Min) G20-5" / G31-10"	20000 (BTU/h) - 5850W / 750 (BTU/h) - 220W		15000 (BTU/h) - 4400W / 750 (BTU/h) - 220W	
Rear-L/Front Center "Right"/Rear Center "Right"/Rear-R - Power (Max/Min) G20 - 5" / G31 - 10"	18000 (BTU/h) - 5300W / 750 (BTU/h) - 220W		15000 (BTU/h) - 4400W / 750 (BTU/h) - 220W	
Griddle Burner (Center "Left") Power (Max/Min) G20 - 5" / G31 - 10"	Thermostat Control Griddle Burner - 11500 (BTU/h) - 3370W / 2000 (BTU/h) - 590W			
OVEN	18" (Accessory Oven)		30" (Main Oven)	
Type	Multifunction with Single Fan		Multifunction with Dual Convection	
Temperature Regulation	Glow wire		Electronic probe with glow wire	
OVEN FUNCTIONS				
	Down Bake	Broil	Down Bake	Broil "Super Nova"
	Dehydrate	Convection Roast	Dehydrate	Convection Roast
			Pizza (Lower Convection)	
ELECTRIC OVEN FEATURES				
	Electric Flame Ignition	Flame out sensing	Electric Flame Ignition	Flame out sensing
	Gas safety devices	12 Hour Clock Formats	Gas safety devices	Timing Cooking Functions
	L.P. Conversion Kit		L.P.: Conversion Kit	12 Hour Clock Formats
			Sabbath Mode	Pizza Function
OVEN DOOR(S)				
Oven Glass Window	Deep Embossed Window - Soft Closing System		Deep Embossed Window - Soft Closing System	
Door Cooling System	4 Pane Heat Resistant Glasses		4 Pane Heat Resistant Glasses	
Door Hinges - Soft-closing System	Heavy Duty Steady Tilt		Heavy Duty Steady Tilt	
Handle Style	Stainless Steel Tube Ø30mm, Metal terminals		Stainless Steel Tube Ø30mm, Metal terminals	
OVEN CAVITY				
Gross Capacity (cbft)	2.7		4.4	
Usable Capacity (cbft)	2.4		4.1	
Cavity Enamel Colour	Black		Black	
Rack Positions	6		6	
Oven Lights	2x20W Halogen		3x20W Halogen	
BROIL BURNER				
Power Natural Gas	8000 (BTU/h) - 2300W		14000 (BTU/h) - 4102W	
Power Propane	8000 (BTU/h) - 2300W		13000 (BTU/h) - 3800W	
BAKE BURNER				
Power Natural Gas	9500 (BTU/h) - 2800W		18000 (BTU/h) - 5300W	
Power Propane	9500 (BTU/h) - 2800W		16000 (BTU/h) - 4700	
OVEN ACCESSORIES				
Chromed Racks	2		2	
Enameled Grill set (basin + anti splash)	-		1	
Telescopic Chromed Rack	1		1	
DIMENSIONS/WEIGHT				
Overall dim - Width	47 - 3/4" (1216 mm)			
Overall dim - Height (min - max)	35 3/8" (898mm) / 37 1/4" (947mm)			
Overall dim - Depth	29 - 3/4" (756 mm)			
POWER / RATINGS (208/240 V, 60 HZ)				
kW / Amps rating at 120-240V, 60Hz	300W - 2.5A			
Cable + Plug	Nema 5-15P			
INSTRUCTIONS FOR USE				
Use & Care Manual / Installation Manual	English / French / Spanish			