

SOFIA PROFESSIONAL 600 SERIES 36"



CODE ID

36" PROFESSIONAL INSERT HOOD

F6BP34DS1



Filtering



CFM max 1000



4 LED lamps



Noise Level 75 (dB)



Ceiling installation

INSERT HOOD

Scotch brite stainless steel (AISI 430)
Heavy Duty Control Panel with Knobs
LED lighting: Led 4x1,2 W - 3200 K
4 + 4 Speed - Mechanical Control
Baffle filter
Dual fan motors - CFM max 1000
75 dB sound rating

Minimum distance:

- Electric hob 20 1/2" - 52 cm
- Gas hob 24 3/4" - 63 cm

Overall dim - width 34-1/4" - 87 cm
Overall dim - height 13-1/8" - 33 cm
Overall dim - depth 18-1/2" - 47 cm

Cut out 32-1/16" x 16-1/2"
Cut out 81.4 x 41.9 cm

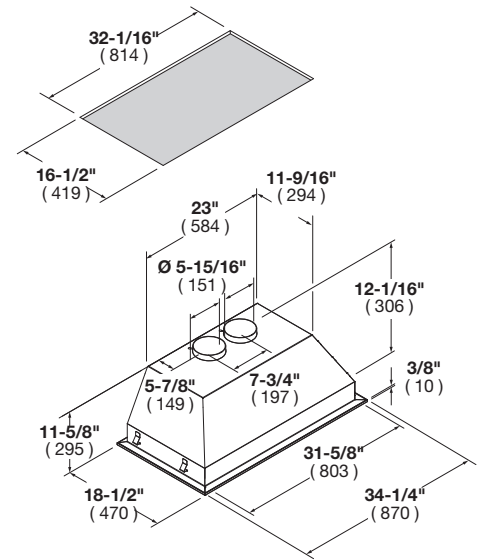
Gross weight 60 lbs 27 kg
Net weight 51 lbs - 23 kg
KW rating 860 W 3.8 A
Power cord + Plug

OPTIONAL ACCESSORIES

FMFIL Charcoal filter

SOFIA

36" PROFESSIONAL INSERT HOOD



CODE ID	F6BP34DS1 - 36" PROFESSIONAL HOOD	
Series and Finish	600 Series - Professional Design - Stainless Steel (AISI 430)	
CONTROL PANEL		
Control Type	4+4 speed mechanical control	
PERFORMANCES		
Output (CFM)	1000	
Sound Level (dB)	75	
Motor	Twin Motor	
Venting Type	Ducted and recirculating	
FEATURES		
Filter Style	Pro Baffle	
Lighting	4 x 1.2W LED	
Single duct diameter	5 - 15/16"	(150 mm)
DIMENSIONS/WEIGHT		
Overall dim - Width	34 - 1/4"	(87 mm)
Overall dim - Height	13 - 1/8"	(33 mm)
Overall dim - Depth	18 - 1/2"	(47 mm)
Cut-out (w x d)	32 - 1/16" x 16 - 1/2"	(814 x 419 mm)
Gross Weight	60 lbs	(27 kg)
Net Weight	51 lbs	(23 kg)
POWER / RATINGS (115 V, 60 HZ)		
Watts / Amps	860W - 7.8A	
Power Cable	Nema 5-15P	
INSTRUCTIONS FOR USE		
Use & Care Manual / Installation Manual	English / French / Spanish	