

# SOFIA PROFESSIONAL 600 SERIES 36"



CODE ID

36" PROFESSIONAL INSERT HOOD

**F6BP34DS1**



Filtering



CFM max 1000



4 LED lamps



Noise Level 75 (dB)



Ceiling installation

## INSERT HOOD

Scotch brite stainless steel (AISI 430)  
Heavy Duty Control Panel with Knobs  
LED lighting: Led 4x1,2 W - 3200 K  
4 + 4 Speed - Mechanical Control  
Baffle filter  
Dual fan motors - CFM max 1000  
75 dB sound rating

Minimum distance:

- Electric hob 20 1/2" - 52 cm
- Gas hob 24 3/4" - 63 cm

Overall dim - width 34-1/4" - 87 cm  
Overall dim - height 13-1/8" - 33 cm  
Overall dim - depth 18-1/2" - 47 cm

Cut out 32-1/16" x 16-1/2"  
Cut out 81.4 x 41.9 cm

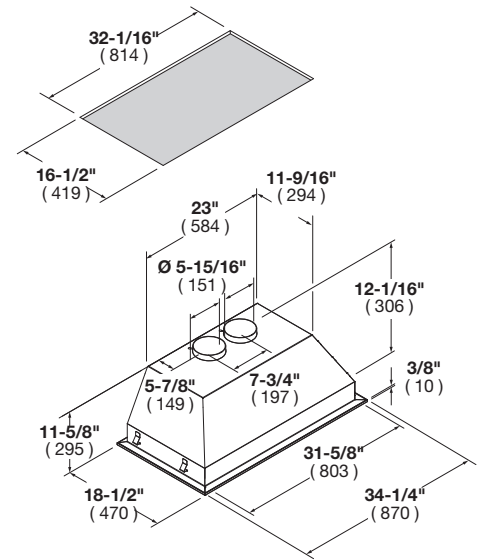
Gross weight 60 lbs 27 kg  
Net weight 51 lbs - 23 kg  
KW rating 860 W 3.8 A  
Power cord + Plug

## OPTIONAL ACCESSORIES

FMFIL Charcoal filter

# SOFIA

36" PROFESSIONAL INSERT HOOD



| CODE ID                                 | F6BP34DS1 - 36" PROFESSIONAL HOOD                             |                |
|---|---|----------------|
| Series and Finish                       | 600 Series - Professional Design - Stainless Steel (AISI 430) |                |
| <b>CONTROL PANEL</b>                    |   |                |
| Control Type                            | 4+4 speed mechanical control                                  |                |
| <b>PERFORMANCES</b>                     |   |                |
| Output (CFM)                            | 1000  |                |
| Sound Level (dB)                        | 75  |                |
| Motor                                   | Twin Motor  |                |
| Venting Type                            | Ducted and recirculating                                      |                |
| <b>FEATURES</b>                         |   |                |
| Filter Style                            | Pro Baffle  |                |
| Lighting                                | 4 x 1.2W LED  |                |
| Single duct diameter                    | 5 - 15/16"  | (150 mm)       |
| <b>DIMENSIONS/WEIGHT</b>                |   |                |
| Overall dim - Width                     | 34 - 1/4"   | (87 mm)        |
| Overall dim - Height                    | 13 - 1/8"   | (33 mm)        |
| Overall dim - Depth                     | 18 - 1/2"   | (47 mm)        |
| Cut-out (w x d)                         | 32 - 1/16" x 16 - 1/2"  | (814 x 419 mm) |
| Gross Weight                            | 60 lbs  | (27 kg)        |
| Net Weight                              | 51 lbs  | (23 kg)        |
| <b>POWER / RATINGS (115 V, 60 HZ)</b>   |   |                |
| Watts / Amps                            | 860W - 7.8A   |                |
| Power Cable                             | Nema 5-15P  |                |
| <b>INSTRUCTIONS FOR USE</b>             |   |                |
| Use & Care Manual / Installation Manual | English / French / Spanish                                    |                |