

SOFIA PROFESSIONAL SERIES 600 30"



CODE ID

30" PROFESSIONAL HOOD

F6PH30S1

1 FAN - SLIDER



Filtering



CFM max 600



2 LED lamps



Noise Level 72 (dB)



Wall hung installation

CODE ID

F6PH30S2

1 FAN - KNOBS



Filtering



CFM max 600



4 LED lamps



Noise Level 72 (dB)



Wall hung installation



HOOD F6PH30S2

Scotch brite stainless steel (AISI 430)
Heavy Duty Control Panel with Knobs
4 Speed - Mechanical Control
LED lighting: Led 4x1.2 W - 3200 K
One fan motor
CFM max 600
72 dB sound rating
Baffle filter

Minimum distance:

- Electric hob 20 1/2" - 52 cm
- Gas hob 24 3/4" - 63 cm

HOOD F6PH30S1

Scotch brite stainless steel (AISI 430)
Slider controls
LED lighting: Led 2x1.2 W - 3200 K
One fan motor
CFM max 600
72 dB sound rating
Baffle filter

Minimum distance:

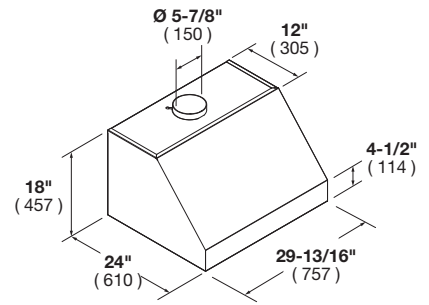
- Electric hob 20 1/2" - 52 cm
- Gas hob 24 3/4" - 63 cm

OPTIONAL ACCESSORIES

F6CK30-12 Chimney cover
FMFIL Charcoal filter

SOFIA

30" PROFESSIONAL HOOD



CODE ID	F6PH30S1 - F6PH30S2 - 30" PROFESSIONAL HOOD	
Series and Finish	600 Series - Professional Design - Stainless Steel (AISI 430)	
CONTROL PANEL		
Control Type	4 speed mechanical control	
PERFORMANCES		
Output (CFM)	600	
Sound Level (dB)	72	
Motor	One	
Venting Type	Ducted and recirculating	
FEATURES		
Filter Style	2 x 1.2W LED	
Lighting	4 x 1.2W LED (F6PH30S2)	
Single duct diameter	5 - 15/16" (200 mm)	
DIMENSIONS/WEIGHT		
Overall dim - Width	29 - 13/16"	(760 mm)
Overall dim - Height	18"	(460 mm)
Overall dim - Depth	24"	(610 mm)
Gross Weight	61 lbs	(28 kg)
POWER / RATINGS (115 V, 60 HZ)		
Watts / Amps	430W - 3.8A	
Power Cable	Nema 5-15P	
INSTRUCTIONS FOR USE		
Use & Care Manual / Installation Manual	English / French / Spanish	