

FULGOR

MILANO



PRO-RANGE 30"- 36" FULL GAS

USE & CARE MANUAL

GUIDE D'UTILISATION ET D'ENTRETIEN

MANUAL DE USO Y CUIDADO



Dear Customer,

Thank you for purchasing one of our Accento ranges. This range was conceived, designed and handcrafted in Italy.

Your selection of a Accento range confirms you are among a special group who share a love and passion for cooking. This unique community shares in the experience of creating quality dishes; dishes that will satisfy the palate while bringing the warmth of families and friends together to share and rejoice. Impress a loved one with your ability to combine flavours and ingredients or experiment with new foods and different culinary techniques to create unexpected pleasures.

Gianni Alessandretti

Pay attention to these symbols present in this manual:

WARNING

- This is the safety alert symbol. This symbol alerts you to potential hazards that can kill or hurt you and others.
- You can be killed or seriously injured if you don't follow these instructions.

READ AND SAVE THESE INSTRUCTIONS.

WARNING

If the information in this manual is not followed exactly, a fire or explosion may result causing property damage, personal injury or death.

- Do not store or use gasoline or other flammable vapors and liquids in the vicinity of this or any other appliance.
- **WHAT TO DO IF YOU SMELL GAS**
 - Do not try to light any appliance.
 - Do not touch any electrical switch.
 - Do not use any phone in your building.
 - Immediately call your gas supplier from a neighbor's phone. Follow the gas supplier's instructions.
 - If you cannot reach your gas supplier, call the fire department.
- Installation and service must be performed by a qualified installer, service agency or the gas supplier.

IMPORTANT: Save these instructions for the local electrical inspector use.

INSTALLER: Please leave this manual with owner for future reference.

OWNER: Please keep this manual for future reference.

WARNING

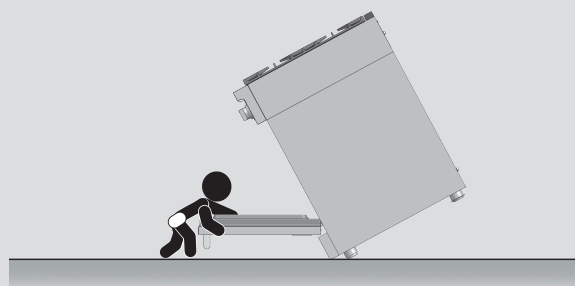
Tip Over Hazard

A child or adult can tip the range and be killed.

Ensure the anti-tip bracket is engaged when the range is moved.

Do not operate range without anti-tip bracket installed and engaged.

Failure to follow these instructions can result in death or serious burns to children and adults.



To verify the anti-tip bracket is installed and engaged:

- Slide range forward.
- Look for the anti-tip bracket securely attached to floor or wall.
- Slide range back so rear range foot is under anti-tip bracket.
- See installation instructions for details.

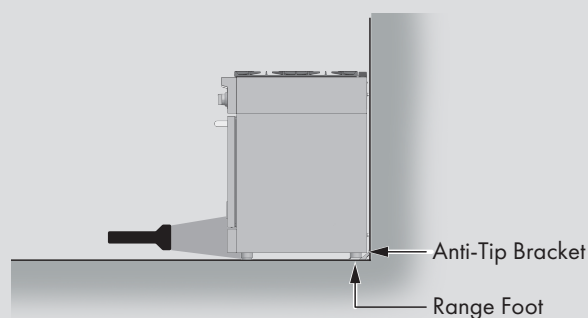


TABLE OF CONTENTS	PAGE
1 - Safety Precautions	3
2 - Safety Instructions	5
Warnings for Gas and Electric Installation	5
3 - Features of your Oven	6
3 - The Control Panels	8
Control	8
Knobs	8
Signal lamps	8
5 - General Oven Information	9
6 - General Oven Tips	10
Oven Racks	10
Oven Telescopic Racks	11
7 - Setting the Clock and Timer	12
Mechanical Minute Timer	12
Timer Touch Control	12
8 - Selecting the Oven Mode	13
9 - Cooking In The Oven	14
10 - Solving Baking Problems	15
11 - Do-It-Yourself Maintenance Oven Door Removal	16
To Remove Door	16
To Replace Door	16
12 - Replacing an Oven Light	17
To Replace a Light Bulb	17
13 - Features of your Cooktop	18

TABLE OF CONTENTS	PAGE
14 - Gas Cooktop Operation	20
Gas Control Knob Setting	20
Gas burners	20
Burners with two flame rings	20
Super Sealed Surface Burners	21
15 - Cookware	22
Cookware Characteristics	22
Match Pan Diameter to Flame Size	22
16 - General Oven Care	23
How to Use the Oven Cleaning Chart	23
Cleaning Chart	23
17 - Oven Finishes / Cleaning Methods	24
18 - Cleaning the Cooktop	25
Cooktop Part / Material Suggested Cleaners	25
19 - Solving Operational Problems	27
20 - Assistance or Service	28



IMPORTANT INSTRUCTION

Please read all instructions before using this appliance.



WARNING

When properly cared for, your new range has been designed to be a safe, reliable appliance. **Read all instructions carefully before using this range. These precautions will reduce the risk of burns, electric shock, fire, and injury to yourself and others. When using kitchen appliances, basic safety precautions must be followed, including the following:**

This appliance must be properly installed and grounded by a qualified technician. Connect only to properly grounded outlet. See "Grounding Instructions" found in the Installation Instructions.

- This appliance should be serviced only by a qualified service technician. Contact the nearest authorized service center for examination, repair or adjustment.
- Do not repair or replace any part of the appliance unless specifically recommended. Refer service to an authorized servicer.
- Do not operate this appliance if it is not working properly or if it has been damaged, until an authorized servicer has examined it.
- Install or locate this appliance only in accordance with the Installation Instructions.
- Use this range only as intended by the manufacturer. If you have any questions, contact the manufacturer.
- Do not cover or block any openings on this appliance.
- Use this appliance only for its intended use as described in this manual. Do not use corrosive chemicals, vapors, or nonfood products in this appliance. This type of oven is specifically designed to heat or cook. It is not designed for industrial or laboratory use. The use of corrosive chemicals in heating or cleaning will damage the appliance.
- In the event that personal clothing or hair catches fire, **DROP AND ROLL IMMEDIATELY** to extinguish flames.



WARNING

- In the event of a grease fire **SMOTHER FLAMES** with a close-fitting lid, cookie sheet, or other metal tray, then turn off the gas burner.
- **BE CAREFUL TO PREVENT BURNS.** If the flames do not go out immediately, **EVACUATE AND CALL THE FIRE DEPARTMENT.**
- Do not use water, including wet dishcloths or towels on grease fires. A violent steam explosion may result.
- **NEVER PICK UP A FLAMING PAN.** You may be burned.
- **ALWAYS** have a working **SMOKE DETECTOR** near the kitchen.
- **LEAVE THE HOOD VENTILATOR ON** when flambéing food.
- Do not obstruct the flow of combustion air at the oven vent nor around the base or beneath the lower front panel of the range. Avoid touching the vent openings or nearby surfaces as they may become hot while the oven is in operation. This range requires fresh air for proper burner combustion.
- **NEVER** cover any slots, holes or passages in the oven or cover an entire rack with aluminum foil. Doing so blocks air flow through the oven and may cause carbon monoxide poisoning. Aluminum foil linings may also trap heat, causing a fire hazard.
- **NEVER** use this appliance as a space heater to heat or warm the room. Doing so may result in carbon monoxide poisoning.

To reduce the risk of burn injuries during cooktop use, observe the following:

- Children or pets should not be left alone or unattended in an area where appliances are in use.
- Children should never be allowed to sit or stand on any part of the appliance.
- Do not store flammable materials on or near the cooktop.
- When using the cooktop: **DO NOT TOUCH THE BURNER GRATES OR THE IMMEDIATE SURROUNDING AREA.**
- Use only dry potholders; moist or damp potholders on hot surfaces may cause burns from steam.
- Never leave the cooktop unattended when in use.
- Boilovers cause smoking, and greasy spillovers may ignite. A spill on a burner can smother all or part of the flame or hinder spark ignition. If a boilover occurs, turn off burner and check operation. If burner is operating normally, turn it back on.

- During cooking, set the burner control so that the flame heats only the bottom of the pan and does not extend beyond the bottom of the pan.
- Take care that drafts like those from fans or forced air vents do not blow flammable material toward the flames or push the flames so that they extend beyond the edges of the pan.
- Always position handles of utensils inward so they do not extend over adjacent work areas, burners, or the edge of the cooktop.
- Wear proper apparel. Loose fitting garments or hanging sleeves should never be worn while cooking.
- Never let clothing, potholders, or other flammable materials come in contact with hot burners or hot burner grates.
- Use only certain types of glass, heatproof glass ceramic, ceramic, earthenware, or other glazed utensils that are suitable for cooktop use.
- Do not clean the cooktop while it is still hot. Some cleaners produce noxious fumes when applied to a hot surface.

**CAUTION**

Do not allow aluminium foil, plastic, paper or cloth to come in contact with hot burners or grates. Do not allow pans to boil dry.

**CAUTION**

Do not store items of interest to children above the appliance. If children should climb onto the appliance to reach these items, they could be seriously injured.

To reduce the risk of fire in the oven cavity:

1. Do not store flammable materials in or near the oven.
2. Do not use water on a grease fire. Smother fire or use a dry chemical or foam-type extinguisher.
3. It is highly recommended that a fire extinguisher be readily available and highly visible next to any cooking appliance.
4. Do not overcook food. Carefully attend oven if paper, plastic or other combustible materials are placed inside the oven.
5. Do not use the cavity for storage purposes. Do not leave paper products, cooking utensils or food in the cavity when not being used.
6. If materials inside the oven should ignite, keep oven door closed. Turn oven off and disconnect the circuit at the circuit breaker box.
7. Do not block any vent openings.
8. Be sure the blower fan runs whenever the oven is in operation. If the fan does not operate, do not use the oven. Call an authorized service center.
9. For personal safety, wear proper clothing. Loose fitting or garments with hanging sleeves should never be worn while using this appliance.

- Tie long hair so that it doesn't hang loose.
- Do not touch interior surfaces of oven.
- During and after use, do not touch or let clothing or other flammable materials contact the burners or the interior surfaces of the oven until they have had sufficient time to cool. Other surfaces of the appliance may become hot enough to cause burns - among these surfaces are (identification of surfaces - for example, oven vent openings and surfaces near these openings, oven doors, and windows of oven doors).
- The trim on the top and sides of the oven door may become hot enough to cause burns.
- Use care when opening the door. Open the door slightly to let hot air or steam escape before removing or replacing food.
- Do not heat unopened food containers. Build-up of pressure may cause the container to burst and cause injury.
- Always place oven racks in desired location while oven is cool. If a rack must be moved while oven is hot, do not let pot holder contact the hot burners.
- Use only dry pot holders. Moist or damp pot holders on hot surfaces may result in burns from steam. Do not let pot holder touch burners. Do not use a towel or other bulky cloth.



WARNING

- For proper lighting and performance of the burners, keep the igniters clean and dry.
- In the event that a burner goes out and gas escapes, open a window or a door. Wait at least 5 minutes before using the cooktop.
- Do not obstruct the flow of combustion and ventilation air.
- Do not use aluminium foil to line any part of the cooktop.
- If the range cookers is near a window, be certain blow over or near the burners; they could catch on fire.

Warnings for Gas and Electric Installation

In case of Propane gas installation

The appliance is produced ready for use with natural gas. It may be converted for use with propane gas using the propane conversion kit supplied with the appliance.

Be sure the unit being installed is correct for the type of gas being used. Refer to the rating plate (see Installation Instructions).



WARNING

Installation and service must be performed by a qualified installer, service agency or the gas supplier.



CAUTION

- Always disconnect the electrical plug from the wall receptacle before servicing this unit.
- For personal safety, this appliance must be properly grounded.
- Do not under any circumstances cut or remove the third (ground) prong from the power cord plug..



CAUTION

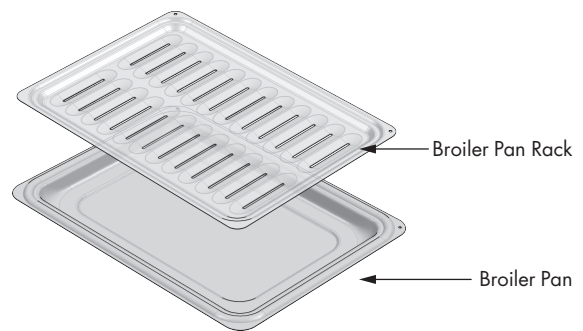
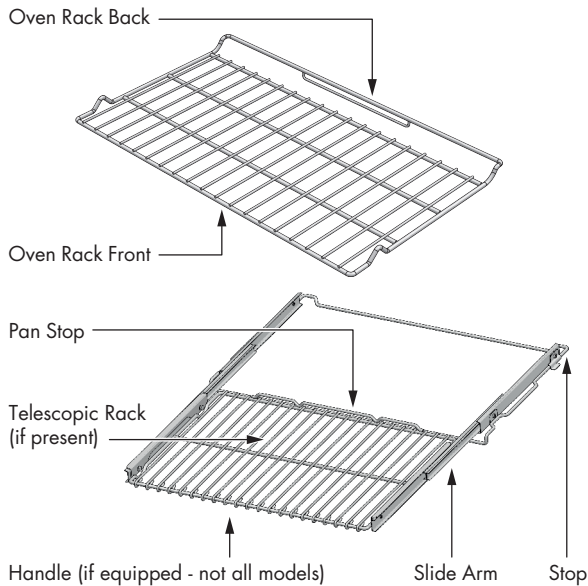
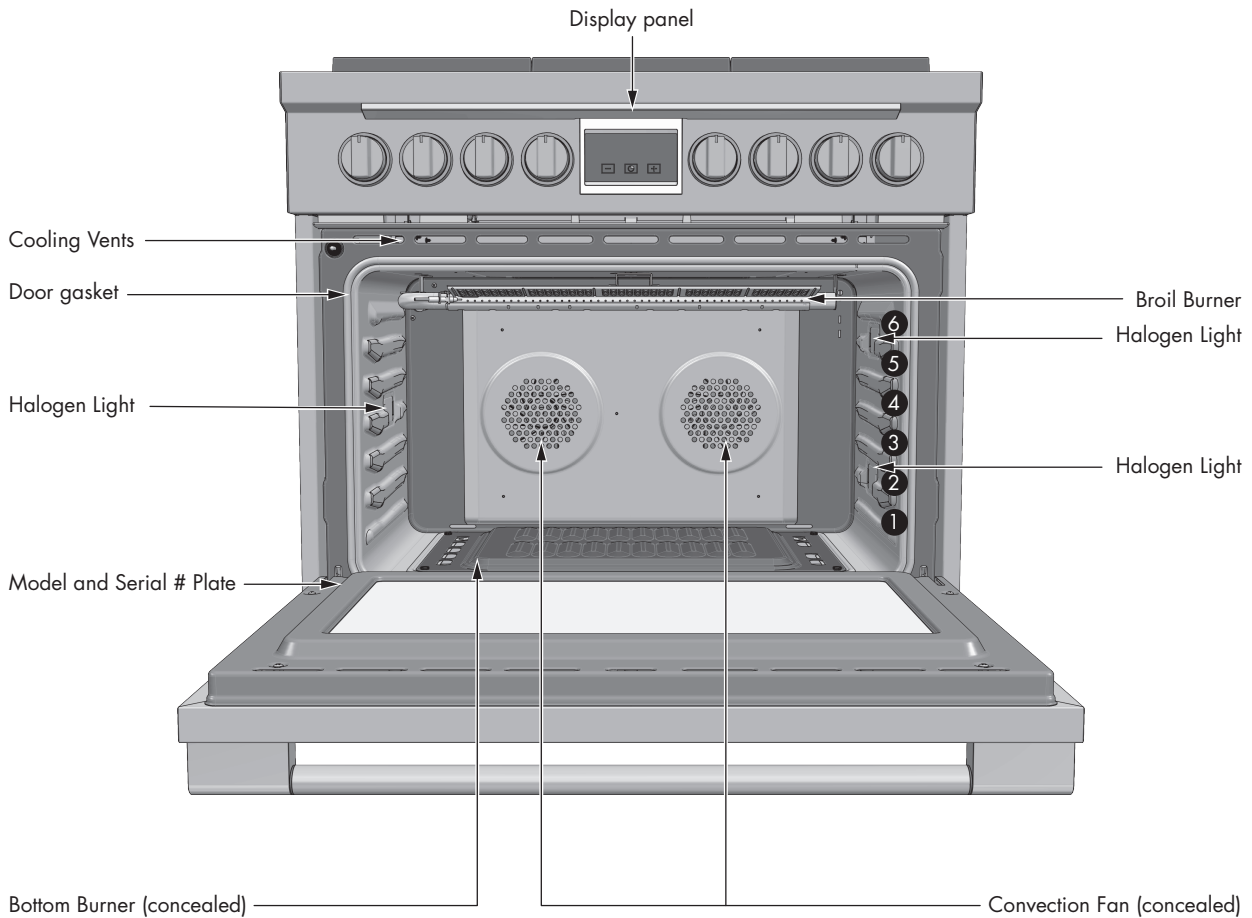
When connecting the unit to propane gas, make certain the propane tank is equipped with its own high pressure regulator. In addition, the pressure regulator supplied with the appliance must be on the inlet gas pipe of this unit.

In case of electrical failure

If for any reason a gas control knob is turned ON and there is no electric power to operate the electronic igniter of the cook top, turn OFF all gas control knobs and wait 5 minutes for the gas to dissipate before lighting the burner manually.

To light the burner manually, carefully hold a lighted match to the burner ports and push and turn the gas control knob to HI until it lights and then turn the knob to desired setting.

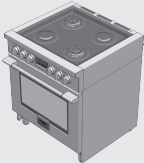
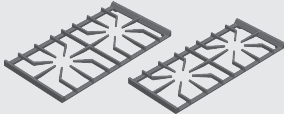
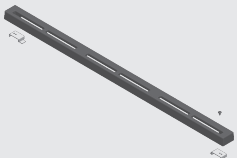
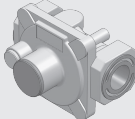
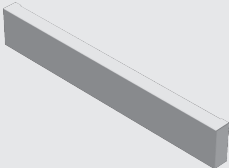
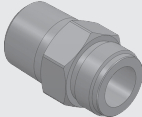



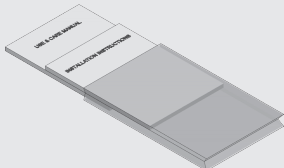
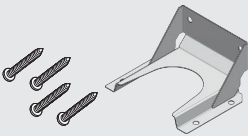
FEATURES OF YOUR OVEN

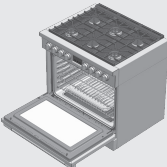
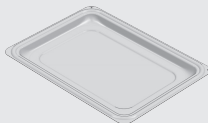
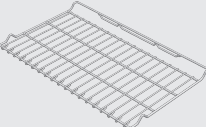

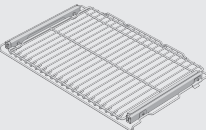


MODEL 30"	NG (Natural) Gas, 5" W.C.P.	LP (Propane) Gas, 10" W.C.P.
BROIL	14000 Btu/h (4100W)	13000 Btu/h (3800W)
OVEN	18000 Btu/h (5300W)	16000 Btu/h (4700W)

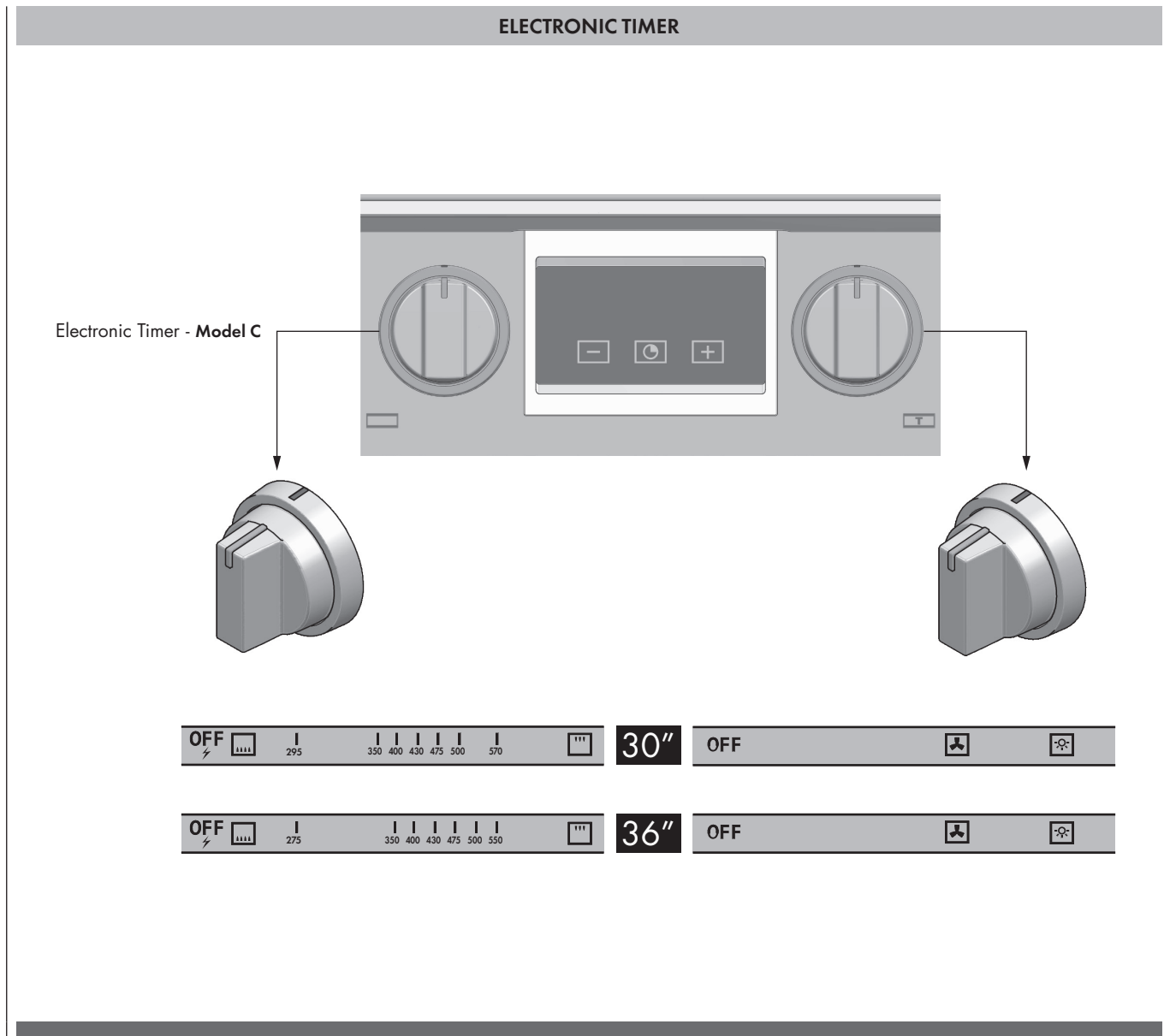
MODEL 36"	NG (Natural) Gas, 5" W.C.P.	LP (Propane) Gas, 10" W.C.P.
BROIL	18000 Btu/h (5300W)	17000 Btu/h (5000W)
OVEN	21500 Btu/h (6300W)	21500 Btu/h (6300W)

NOTE: Btu/h de-rated 4% per 1000 feet for appliances installed over 2,000 feet (610m)

CONTENTS OF YOUR RANGE PACK					
	QTY	DESCRIPTION		QTY	DESCRIPTION
	1	RANGE COOKER		2	CAST IRON GRATES Pcs. FOR 30" RANGE
				3	Pcs. FOR 36" RANGE
	1	CAST IRON ISLAND TRIM TWO FIXING SCREWS		1	PRESSURE REGULATOR
	1	KICK COVER		1	NIPPLE
	3	FEET		1	GASKET / WASHER
	1	FOOT WITH COLLAR			MANUAL & GENERAL DOCUMENTATION
				1	"INSTALLATION INSTRUCTIONS"
	1	ANTI TIP FOUR FIXING SCREWS		1	"USE & CARE"
				1	GAS CONVERSION KIT

OVEN ACCESSORIES OF YOUR RANGE					
	QTY	DESCRIPTION		QTY	DESCRIPTION
	1	OVEN		1	ENAMELED ROASTING PAN
	2	CHROMED RACKS		1	ENAMELED ROASTING PAN GRATE
	1	TELESCOPIC CHROMED RACK (IF PRESENT)			

The user interface has the following features: display, preheat light indicators, keys for commands, cooking mode and temperature selectors.



Control

Electronic Timer

Signal lamps

Left: Fan Failure
Right: ON oven indicator light

Knobs

Function selector, with two functions + OFF position.

1. Light
2. Oven fan

Thermostat with two functions + OFF position.

1. **Counterclockwise:** Oven burner + temperature regulation.
2. **Clockwise:** Broil Burner

Cooling Fan

The fan is situated in the mechanical space between the oven and the cooktop and creates a circulation of cooling air inside this space which exhausts through the opening between the instrument panel and the oven door on the front of the appliance. It turns on automatically when the threshold of internal thermostats is reached in order to keep the door glass, internal components and the electronics cool ensuring a long life of comfortable, worry-free operation.

It should normally come on at some point during oven operation and will continue to operate after the appliance has been turned off until an ideal temperature is achieved within the mechanical space.

It is also possible that this cooling fan may operate when using only the cooktop if high temperature cooking is being done for extended periods of time on multiple burners.

If you notice that the fan is not working at all during oven operation contact service immediately.

Convection Fan

The convection fan operates during any convection mode. When the oven is operating in the convection mode, the fan will turn off automatically when the door is opened.

Oven Light

The oven light is normally off and will turn on when the door is opened. The Function Selector knob can be used to keep the oven light on constantly. When the Function Selector knob is turned to the convection fan position, the interior light remains on constantly. The light cannot be turned off while the convection mode is selected.

Rear Oven Vent

The warm air from the oven is exhausted through vents located at the rear of the cooktop. Do not allow the airflow from the rear vents to be obstructed by cookware or towels.

Prior to First Use

To ensure all residual oil from the manufacturing process has been removed, each oven must go through the following procedure.

1. Clean oven thoroughly with hot water and a mild detergent. Rinse and dry with a soft cloth.
2. Turn on ventilation. Some smoke and odor is normal.
3. Set oven temperature to 250 °F (120°C) and allow oven to heat for 1 hour.
4. Set oven temperature to 500 °F (260°C) and allow oven to heat for an additional hour.
5. Turn oven off and allow it to cool with the door closed.

Preheating the Oven

- Preheat the oven when using the Bake, Convection Bake and Broil modes.
- Selecting a higher temperature does not shorten the preheat time.
- Preheating is necessary for good results when baking cakes, cookies, pastry and breads.
- Preheating will help to sear roasts and seal in meat juices.
- Place oven racks in their proper position before preheating.
- There is no light or chime indication that the oven has reached the set temperature.

Estimated Preheating Time for Range 36"		
°F	°C	MIN:SEC
250	~ 120	2:30
325	~ 165	4:00
375	~ 190	5:00
425	~ 220	7:00
475	~ 245	9:00
550	~ 290	11:30

Estimated Preheating Time for Range 30"		
°F	°C	MIN:SEC
250	~ 120	2:30
325	~ 165	3:30
375	~ 190	4:30
425	~ 220	5:30
475	~ 245	7:00
550	~ 290	11:00

Operational Suggestions

- Do not set pans on the open oven door.
- Use the interior oven lights to view the food through the oven door window rather than opening the door frequently.
- You can set the minute timer using the preheat timing chart above to let you know when the oven is preheated to the set temperature.

Utensils

- Glass baking dishes absorb heat. Reduce oven temperature 25°F (15°C) when baking in glass.
- Use pans that give the desired browning. The type of finish on the pan will help determine the amount of browning that will occur.
- Shiny, smooth metal or light non-stick / anodized pans reflect heat, resulting in lighter, more delicate browning. Cakes and cookies require this type of cookware.
- Dark, rough or dull pans will absorb heat resulting in a browner, crisper crust. Use this type for pies.
- For brown, crisp crusts, use dark non-stick / anodized or dark, dull metal utensils or glass bake ware. Insulated baking pans may increase the length of cooking time.
- Do not cook with the empty broiler pan in the oven, as this could change cooking performance. Store the broil pan outside of the oven.

Oven Condensation and Temperature

- It is normal for a certain amount of moisture to evaporate from the food during any cooking process. The amount depends on the moisture content of the food. The moisture may condense on any surface cooler than the inside of the oven, such as the control panel.

High Altitude Baking

- When cooking at high altitude, recipes and cooking time will vary from the standard.

Oven Racks

- The oven has rack guides at six levels as shown in the illustration on Page 6.
- Rack positions are numbered from the bottom rack guide (#1) to the top (#6).
- Each level guide consists of paired supports formed in the walls on each side of the oven cavity.
- Always be sure to position the oven racks before turning on the oven. Make sure that the racks are level and secure once they are in position.

Please refer to illustration on Page 6 if there is any question as to which side is the front of the rack.

- The racks are designed to stop when pulled forward to their limit.

CAUTION

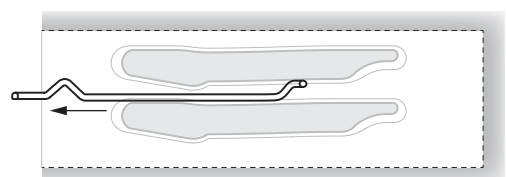
Never use aluminum foil to cover the oven racks or to line the oven. It can cause damage to the oven liner if heat is trapped under the foil.

CAUTION

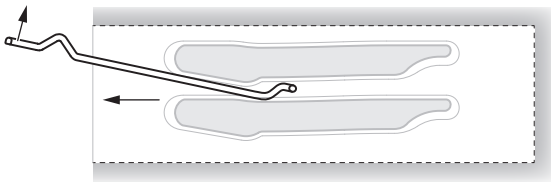
Make sure you do not force it to avoid damage to the enamel.

To remove oven rack from the oven:

1. Pull rack forward

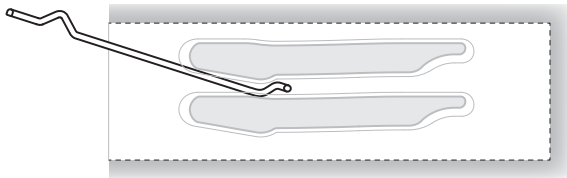


2. Lift rack up at front and then remove it

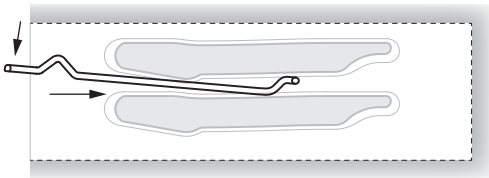


To replace an oven rack:

1. Place rear of rack between rack level guides



2. While lifting front of rack, slide rack in all the way while lowering the front



Oven Telescopic Racks

- The telescopic rack allows for easier access to cooking foods for repetitive activities such as basting. It extends beyond the standard flat rack bringing the food closer to the user.

CAUTION

When the rack is outside of the oven, slide arms do not lock. They could unexpectedly extend if the rack is carried incorrectly.

Extending slide arms could cause injury. Rack should only be held or carried by grasping the sides.

NOTE: Always remove the extendable rack before self-cleaning the oven.

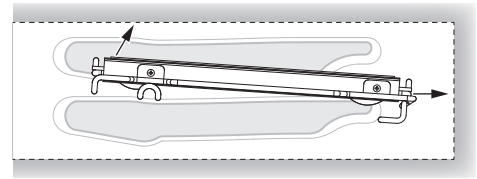
CAUTION

To avoid burns, pull rack all the way out and lift pan above handle when transferring food to and from oven.

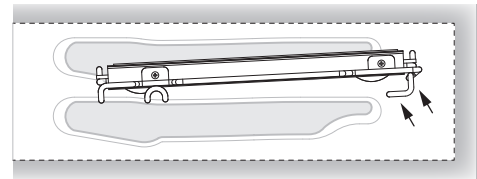
Please refer to illustration on Page 6 if there is any question as to which side is the front of the rack.

To remove extendable rack from the oven:

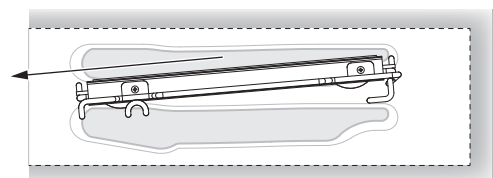
1. Lift of rack slightly and push it towards the back of the oven until the stop releases.



2. Raise back of rack until frame and stop clear rack guide

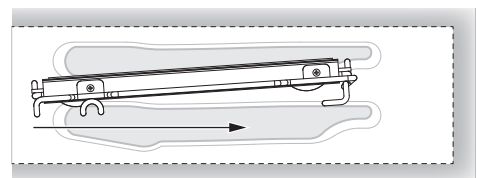


3. Pull rack down and out

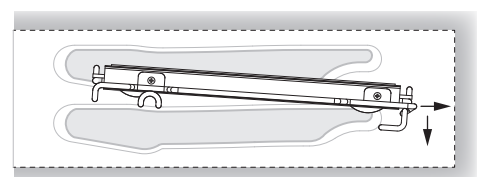


To replace an extendable rack:

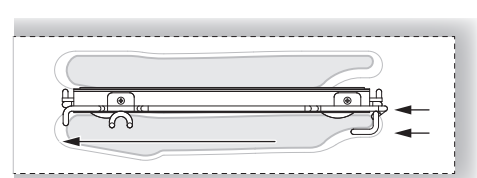
1. Grasp rack firmly on both sides. Place rack (including frame) above desired rack guide



2. Push all the way in until the back of the rack drops into place



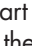


3. Pull both sections forward until stops activate. Rack should be straight and flat, not crooked





Timer Touch Control

Setting the clock



"Auto" and "0:00" will start flashing when the unit is switched on for the first time. To set the clock, press the central button for about 3 seconds. When  appears, press  or  to set the correct time.




Note: only 12 hrs setting available.

Wait until a beep tells you that the clock has been set. To set the time at a later stage, press  and  together for 3 seconds and then adjust the clock as described above.

Minute counter



As this minute counter does not control the oven, when it finishes counting the oven will continue to work.

To set, press the central button for 3 seconds until  appears. Press  and  to set the required time.

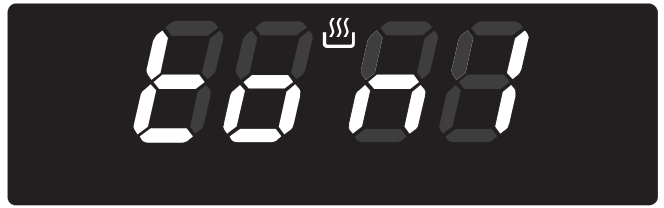
To set the minute counter at a later stage, press the central button for 3 seconds and adjust as described above.



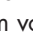
The minute counter beeps when it finishes counting.

To disable it, press any button.

The minute minder can be set to a maximum time of 23 hours and 59 minutes.

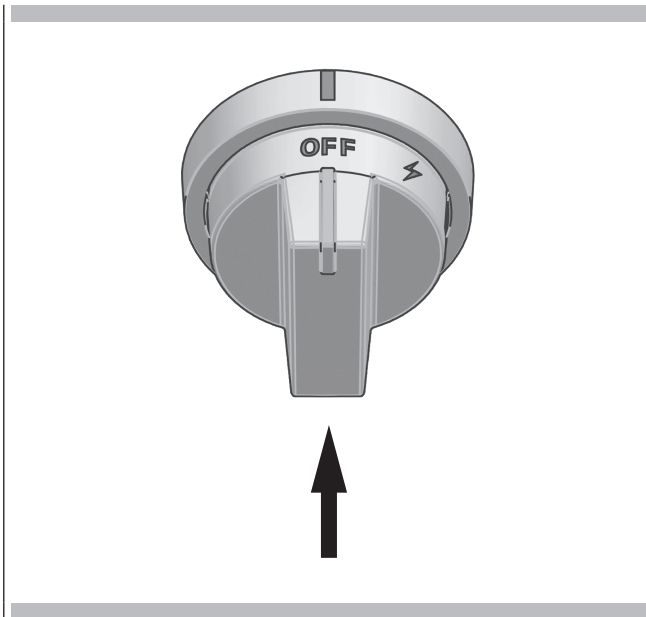
Adjusting beep volume



To adjust beep volume, press  and  together. Then press the central button and wait for "ton1" (high volume) to flash. Press  to select "ton2" (medium volume) or "ton3" (low volume). Press the central button to set the selected volume.

Bake Temperature Control

While still in the home (off) position, press the temperature setting knob all the way in for about one second (you should hear the spark module begin to make a snapping sound).



Release and then rotate the knob counter-clockwise to the desired temperature setting (at least past the minimum temperature marking on the knob). Once the spark module starts it will continue sparking automatically for about 9 seconds to ensure the gas is lit. You may hear a whoosh sound as the flame ignites around the burner. (Refer to the preheating table earlier in this manual for preheat times).

In case the burner is not lit return the knob to the 'OFF' position and repeat the above gas burner ignition procedure.

Ignition of the Broiler burner is the same procedure as above with the exception that the knob is to be turned clockwise to the Broil position once sparking is initiated.

Scan the QR Code below to be taken to the YouTube video showing oven burner ignition.



NOTE: A gas smell may be detected in cases where the burner did not ignite - this is normal and not indicative of continued gas flow, a small amount would have been released during the lighting sequence. The ovens are equipped with safety thermocouples which close the valve and shut off the flow of gas if a flame is not detected. This is why the knob needs to be returned to the 'OFF' position to reset the thermocouple in cases of failed ignition so it can be retried.

Bake Temperature Control

The temperature control knob serves to set the desired oven temperature and is equipped with a safety valve. When the oven is in operation or if the function selector knob (fan / light) is turned to either option, the ON light is illuminated.

The minimum position corresponds to an oven temperature of:

30" = 295°F (145°C)

36" = 275°F (135°C)

The control knob has a stop at the minimum position.

The maximum position corresponds to an oven temperature of

30" = 570°F (300°C)

36" = 550°F (290°C)

and is obtained when the knob is turned fully counterclockwise.

WARNING

If your ignition experience does not relate the description above or will not ignite after several attempts turn off the gas supply to the oven and contact service.

Broil

To turn on the broiler, press and turn the knob clockwise to the broil position.

WARNING

When using the broiler accessible parts may get hot, keep children at a safe distance.

Convection Mode Benefits

The convection fan function turned on together with the strong heat coming from the bottom burner makes it possible to cook foods more evenly and delicately than with the bottom burner alone.

Cooking is faster than in a traditional oven. The system is suitable for cooking foods of different types (fish, meat, etc.) on multiple levels.

Pre-heating is not necessary when using convection modes but is still recommended for baking.

With this convection cooking method, you can operate the oven in the normal way and follow the instructions in recipe books.

The food to be cooked should preferably be placed centrally within the oven.

WARNING

Prolonged use of gas appliances produces heat and humidity in the kitchen. This may make additional ventilation such as opening a window or more efficient ventilation necessary, for example by increasing the level of mechanical ventilation where present (suction hood).

MAIN COURSE	TEMPERATURE °F (°C)	COOKING TIME (min)	PREHEAT
Genoese Sponge (Swiss Roll)	410 (210)	15 - 20	Yes
Short Pastry (Biscuits)	390 (200)	10 - 12	Yes
Dough With Raising Agent (Schiacciata)	390 (200)	25 - 30	Yes
Sponge Cake (Small Paper Pastry Cases)	375 (190)	20 - 25	Yes
Leavened Dough (Strudel)	355 (180)	40 - 50	Yes
Puff Pastry (Tartlets)	375 (190)	20 - 30	Yes
Soufflé	355 (180)	35 - 40	Yes
Sachertorte	355 (180)	55 - 60	Yes
Fruit Pie	320 (160)	160 - 180	Yes
Choux Pastry	390 (200)	35 - 40	Yes
Roast Beef (Approx. 1.5 Kg)	390 (200)	90 - 120	Yes
Pizza	390 (200)	20 - 25	Yes
Baked Fish	355 (180)	50 - 60	Yes
Baked Vegetables	340 (170)	30 - 40	Yes
Poultry	375 - 390 (190 - 200)	60 - 70	Yes

Guideline values for cooking with the broiler

MAIN COURSE	COOKING TIME (min)	PREHEAT
Steaks	10 - 15	-
Cutlet	15 - 25	-

With either Bake or Convection Bake, poor results can occur for many reasons other than a malfunction of the oven. Check the chart below for causes of the most common problems. Since the size, shape and material of baking cookware directly affect the baking results, the best solution may be to replace old baking cookware that have darkened and warped with age and use.

BAKING PROBLEM	CAUSE
Food browns unevenly	<ul style="list-style-type: none"> - Oven not preheated - Aluminum foil on oven rack or oven bottom - Baking cookware too large for recipe - Pans touching each other or oven walls
Food too brown on bottom	<ul style="list-style-type: none"> - Oven not preheated - Using glass, dull or darkened metal pans - Incorrect rack position - Pans touching each other or oven walls
Food is dry or has shrunk excessively	<ul style="list-style-type: none"> - Oven temperature too high - Baking time too long - Oven door opened frequently - Pan size too large
Food is baking or roasting too slowly	<ul style="list-style-type: none"> - Oven temperature too low - Oven not preheated - Oven door opened frequently - Tightly sealed with aluminum foil - Pan size too small
Pie crusts do not brown on bottom or have soggy crust	<ul style="list-style-type: none"> - Baking time not long enough - Using shiny steel pans - Incorrect rack position - Oven temperature is too low
Cakes pale, flat and may not be done inside	<ul style="list-style-type: none"> - Oven temperature too low - Incorrect baking time - Cake tested too soon - Oven door opened too often - Pan size may be too large
Cakes high in middle with crack on top	<ul style="list-style-type: none"> - Baking temperature too high - Baking time too long - Pans touching each other or oven walls - Incorrect rack position - Pan size too small
Pie crust edges too brown	<ul style="list-style-type: none"> - Oven temperature too high - Edges of crust too thin

⚠ ATTENTION

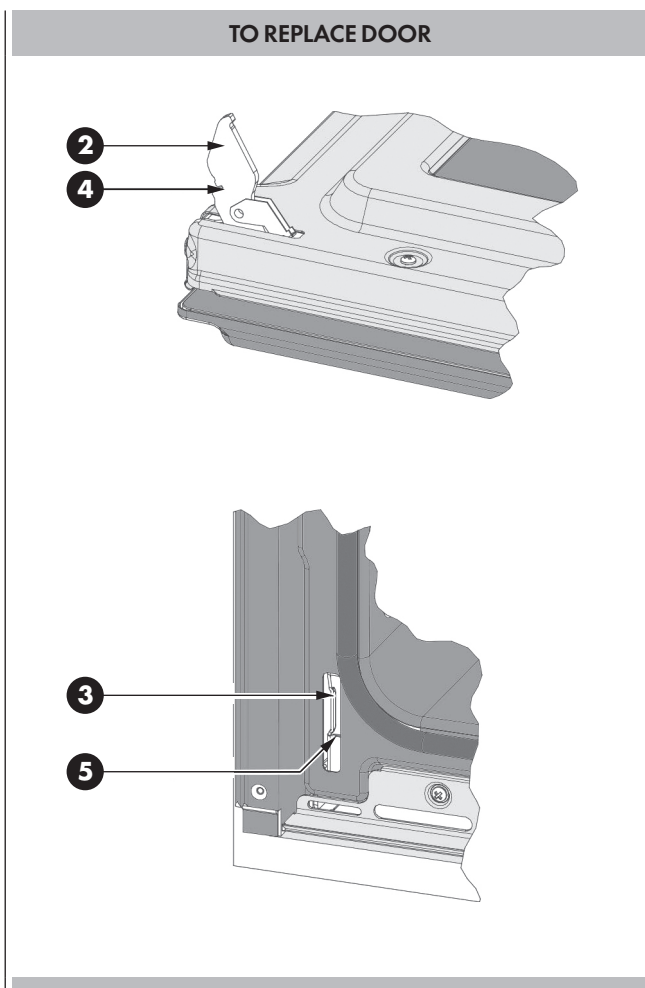
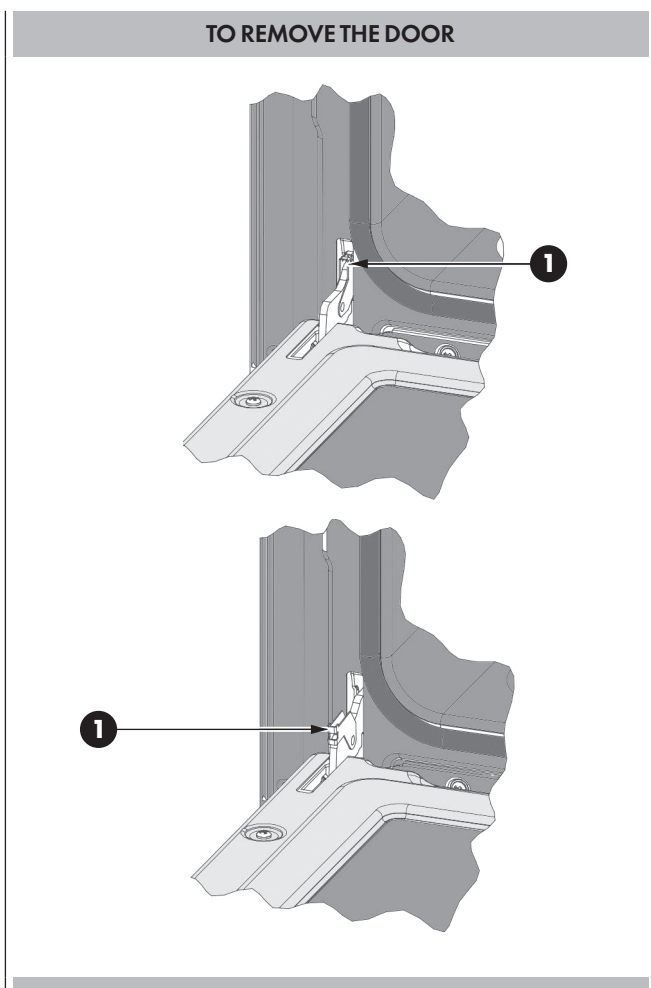
- Make sure oven is cool and power to the oven has been turned off before removing the door. Failure to do so could result in electrical shock or burns.
- The oven door is substantial. Use both hands to remove the oven door. The door front is glass of which there are 4 panes.
- Handle carefully to avoid breakage.
- Grasp only the sides of the oven door. Do not grasp the handle as it may swing in your hand and cause damage or injury.
- Failure to grasp the oven door firmly and properly could result in personal injury or product damage.

To Remove Door

1. Open the door completely.
2. Flip the hinge security clip on each hinge towards you (1).
3. Hold the door firmly on both sides using both hands and close the door until you feel it stop at the security clip.
4. Hold firmly; the door is heavy. Lift and pull towards you - you may have to play with it a little to feel the hinges disengage from the oven frame.
5. Place the door in a convenient location.

To Replace Door

1. Insert the upper arms (2) of both hinges into the slots (3). The recesses (4) must hook on the lips (5).
2. Move the hinge security clips (1) back into position. If the security clips cannot be easily moved back to their normal operating position, ie. the clips hit the frame, then the door is not correctly seated. Bring the security clips back out and try to reseat the door - you will feel it clip in / drop slightly when the hinges engage the frame correctly.
3. Close and open the door slowly to assure that it is correctly and securely in place.



- Each oven is equipped with three halogen lights located in the lateral walls of the oven.
- The lights are switched on when the door is opened or when the oven is in a cooking cycle.
- Each light assembly consists of a removable lens, a light bulb as well as a light socket housing that is fixed in place. See figure on this page.
- Light bulb replacement is considered to be a routine maintenance item.

To Replace a Light Bulb

1. Read WARNING on this page.
2. Turn off power at the main power supply (fuse or breaker box).
3. Remove the lens between screw and glass using a screw driver.
4. Remove the light bulb from its socket by pulling it.
5. Replace the bulb with a new one. Avoid touching the bulb with fingers, as oils from hands can damage the bulb when it becomes hot.
6. The bulb is halogen: use one with the same type checking Voltage and Wattage.
7. Place the lens back on.
8. Replace the rack supports if provided is provided with the oven model.

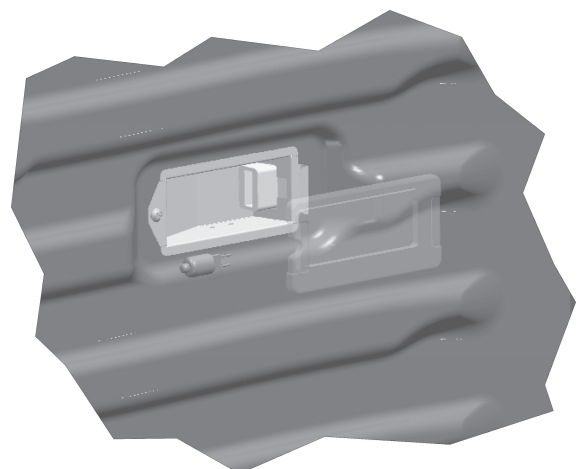
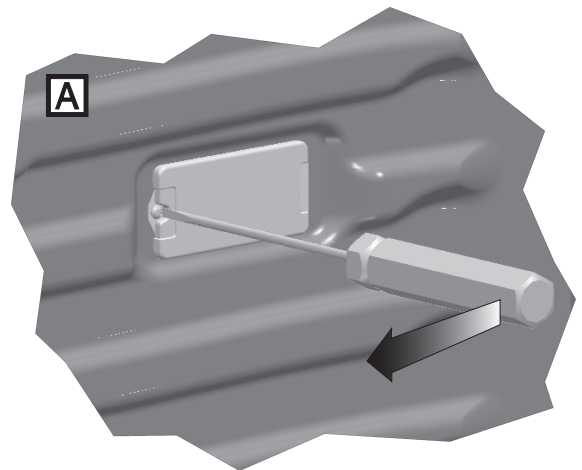
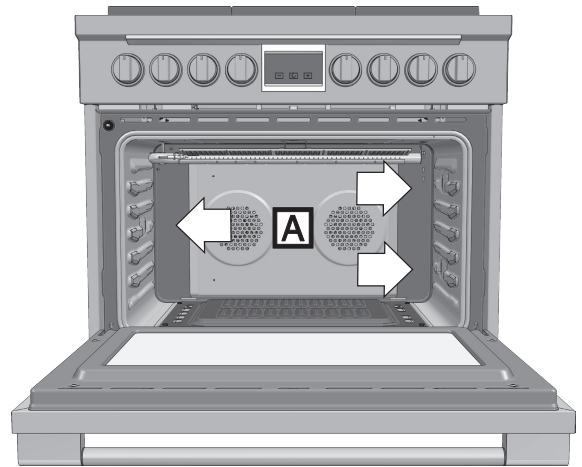
Turn power back on at the main power supply (fuse or breaker box).



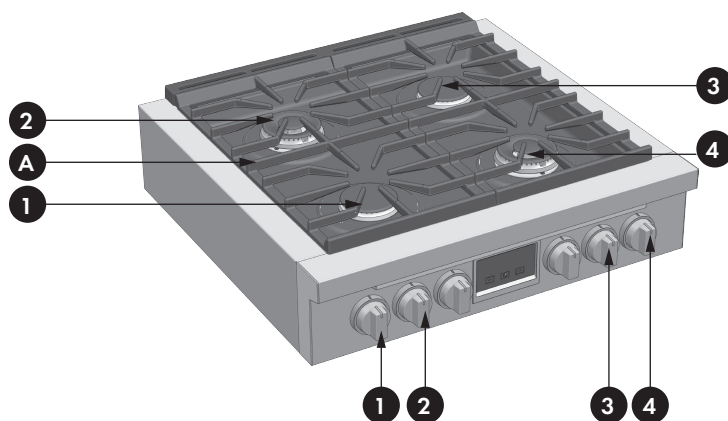
WARNING

- Make sure the oven and lights are cool and power to the oven has been turned off before replacing the light bulb(s). Failure to do so could result in electrical shock or burns.
- The lenses must be in place when using the oven.
- The lenses serve to protect the light bulb from breaking.
- The lenses are made of glass. Handle carefully to avoid breakage. Broken glass could cause an injury.

OVEN LIGHT



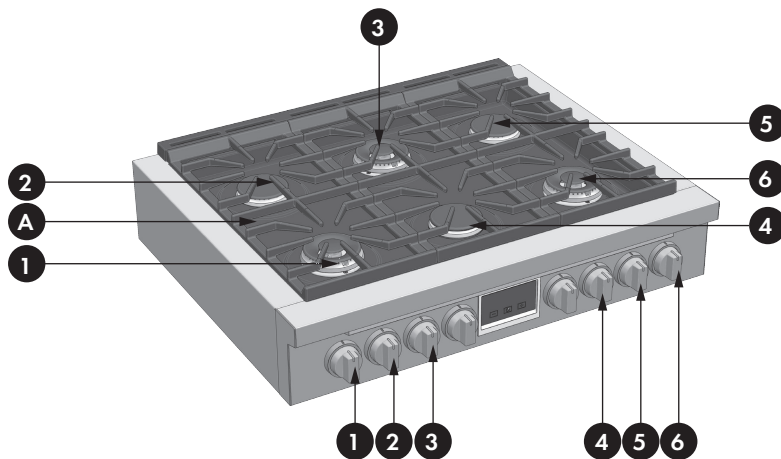
COOKTOP 30"



A - Grates

BURNER OUTPUT RATINGS: BTU/HR	NG (Natural) Gas, 5" W.C.P	LP (Propane) Gas, 10" W.C.P.
1 SINGLE CROWN (burner & knob)	2200 to 15000 Btu/h (645 to 4400W)	2200 to 12000 Btu/h (645 to 3500W)
2 DOUBLE CROWNS (burner & knob)	750 to 18000 Btu/h (220 to 5300W)	750 to 15000 Btu/h (220 to 4400W)
3 SINGLE CROWN (burner & knob)	2200 to 15000 Btu/h (645 to 4400W)	2200 to 12000 Btu/h (645 to 3500W)
4 DOUBLE CROWNS (burner & knob)	750 to 18000 Btu/h (220 to 5300W)	750 to 15000 Btu/h (220 to 4400W)

COOKTOP 36"

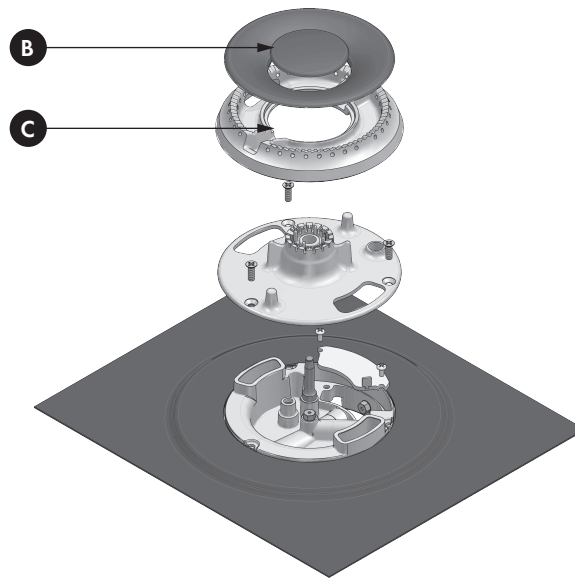


A - Grates

BURNER OUTPUT RATINGS: BTU/HR	NG (Natural) Gas, 5" W.C.P	LP (Propane) Gas, 10" W.C.P.
1 DOUBLE CROWNS (burner & knob)	750 to 18000 Btu/h (220 to 5300W)	750 to 15000 Btu/h (220 to 4400W)
2 SINGLE CROWN (burner & knob)	2200 to 15000 Btu/h (645 to 4400W)	2200 to 12000 Btu/h (645 to 3500W)
3 DOUBLE CROWNS (burner & knob)	750 to 18000 Btu/h (220 to 5300W)	750 to 15000 Btu/h (220 to 4400W)
4 SINGLE CROWN (burner & knob)	2200 to 15000 Btu/h (645 to 4400W)	2200 to 12000 Btu/h (645 to 3500W)
5 SINGLE CROWN (burner & knob)	2200 to 15000 Btu/h (645 to 4400W)	2200 to 12000 Btu/h (645 to 3500W)
6 DOUBLE CROWNS (burner & knob)	750 to 18000 Btu/h (220 to 5300W)	750 to 15000 Btu/h (220 to 4400W)

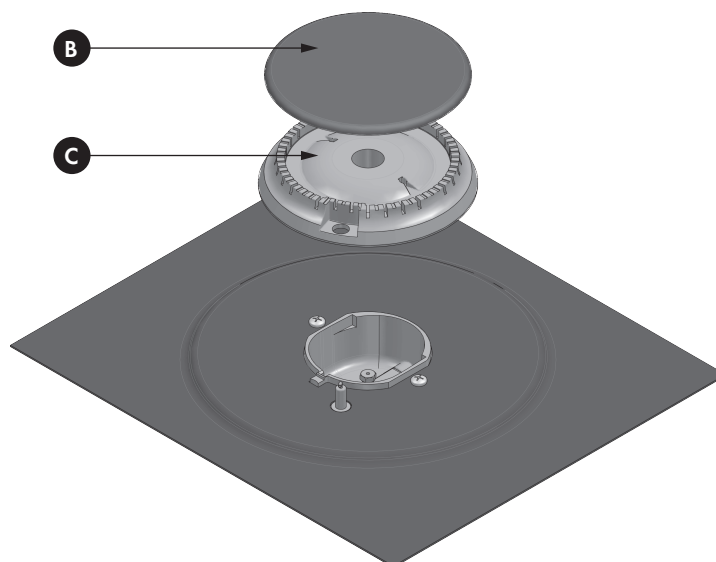
* (on some models)

BURNER



- B - Burner Cap
- C - Burner Gas Spreader

BURNER

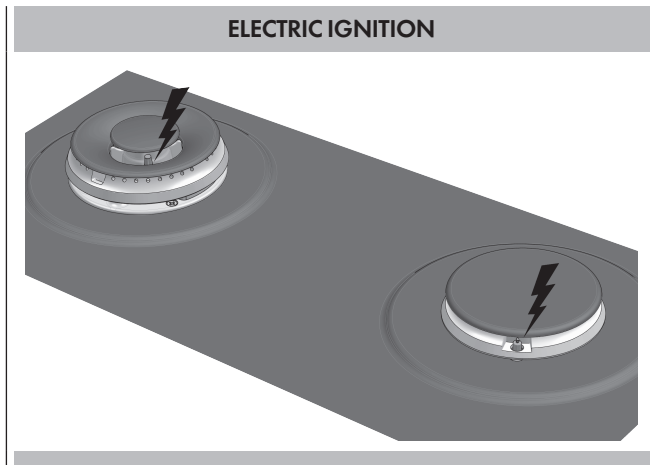


- B - Burner Cap
- C - Burner Gas Spreader

Gas Control Knob Setting

Electric gas ignition

The gas burners use an electric ignition device located near each burner that by means of spark igniters ensure they ignite automatically.



The electronic auto re-ignition lights the surface burner when the corresponding control knob is turned at any valve rotation allowing sufficient gas flow to support a flame.

If any burner flame goes out for any reason, the igniter automatically sparks to relight the flame.

NOTE: this feature is provided as a convenience and is not intended as a safety feature. If you detect a gas odor coming from your range ensure all knobs are turned to the OFF position. If odor persists turn off supply to range and inspect connections.

To set:

- Push and turn a knob counter clockwise to any setting, the corresponding spark plugs will generate a clicking sound (spark), the burner will produce a flame and reignite automatically if the flame goes out.



WARNING

- Do not operate a burner using empty cookware or without cookware on the grate.
- Do not touch the burner when the igniters are clicking (sparking) (shock hazard).
- Do not let the burner flame extend beyond the edge of the pan (burn hazard on handles and potential cookware damage / scorching).
- Turn off all controls when not cooking.

Failure to follow these instruction can result in personal injury or fire.

Burners with two flame rings

These burners have two separate flame rings to provide a complete heat regulation from high power to simmering.

To set :

1. Push and turn the knob counter clockwise within the main HI - LO range, when the burner is turned on, the main flame and the simmer flame will both ignite and remain on.
2. Set desired temperature within the main HI - LO range.

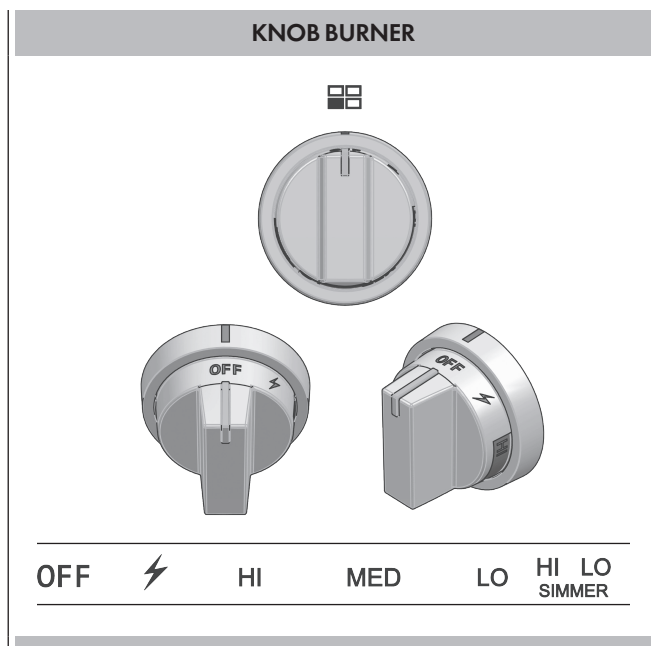
Note: The knob has a designated stop at MED heat setting. To continue to low and / or simmer, push the knob in as you continue to turn counter-clockwise. This method is not required to go from LO / Simmer to OFF.

Simmer setting

Continue turning the knob counter-clockwise to the 'HI-LO SIMMER' range. The outer flame ring will go out and temperature adjustment can be made using the inner flame ring only.

Turning off the burner

Turn the knob clockwise as far as it will go to the off position. Ensure flame extinguishes fully.



The Burner Flames

Turn each burner on. Flames should be blue in color with no trace of yellow. Tips of flames may occasionally turn yellow momentarily - this is normal. Yellow flames are indicative of low oxygen supply which may occur at higher altitudes. Some higher altitude regions add oxygen to the natural gas supply to compensate. The burner flames should not sputter or blow away from the burner. The inner cone of the flame should be between 1/2" and 3/4" long.

- NOTE:
- Foreign material in the gas line, especially in new construction, may cause an orange flame during initial operation. The orange color will disappear with further use. Small yellow tips on the ends of the flames are normal when using LP gas.
 - If the flame is not even around the edge of the burner, wait for the cooktop to cool and check to make sure the burner is assembled properly and the burner caps are seated correctly.

Super Sealed Surface Burners



IMPORTANT

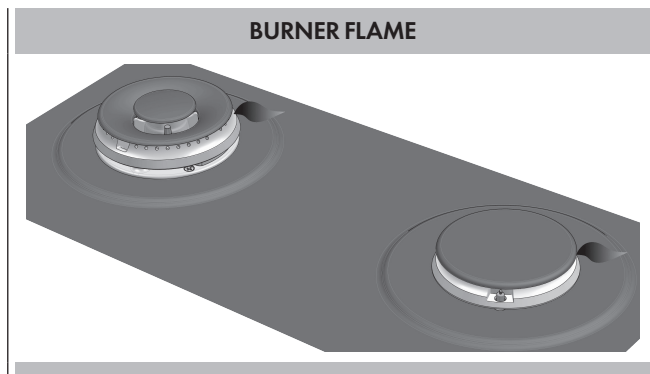
Do not obstruct the flow of combustion and ventilation air around the burner grate edges.

Burner cap and gas spreader

Always keep the burner cap and gas spreader in place when using a surface burner. A clean burner cap and spreader will help prevent poor ignition and uneven flames. Always clean the parts after a spillover and routinely remove and clean according to the "General Cleaning" section.

Burner base and injector

Gas must flow freely throughout the injector orifice to light properly. Keep this area free of soil and do not allow spills, food, cleaning agents or any other material to enter the injector orifice opening. Protect it during cleaning.



Be sure when lighting the burner:

- Gas spreader is seated correctly and pin is properly aligned with burner base slot.
- Cap is seated correctly and pin is properly aligned with gas spreader slot.

Burner ports

Check burner flames occasionally. A good flame is blue in color, not yellow.

Keep this area free of soil and do not allow spills, food, cleaning agents or any other material to enter the burner ports.

To Clean gas burner:



IMPORTANT

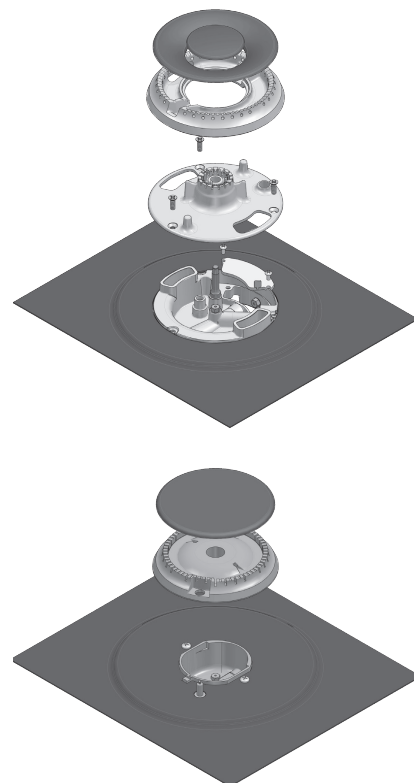
Before cleaning, make sure all controls are off and the cooktop is cool.

1. Remove the burner cap from the burner base and clean according to cleaning section.
2. Remove the burner spreader.
 - Clean the gas tube opening and burner port according to cleaning section.
3. Clean the burner base with a damp cloth (keep the gas injector area free of cleaning agents and any other material from entering the injector orifice).
4. Replace the burner spreader and cap, making sure the alignment pins are properly aligned with the slots.
5. Turn on the burner.

If the burner does not light, check cap and spreader alignment. If the burner still does not light, do not service the gas burner yourself.

Contact a trained repair specialist.

EXPLODED VIEW OF BURNER



IMPORTANT: Never leave empty cookware on a hot surface cooking area, element or surface burner.

Ideal cookware should have a flat bottom, straight sides, a well fitting lid and the material should be of medium-to-heavy thickness. Rough finishes may scratch the cooktop.

Aluminium and copper may be used as a core or base in cookware. However, when used as a base it can leave permanent marks on the cooktop or grates.

Cookware material is a factor in how quickly and evenly heat is transferred, which affects cooking results. A nonstick finish has the same characteristics as its base material.

For example, aluminium cookware with a non-stick finish will take on the properties of aluminium.

Use the following chart as a guide for cookware material characteristics.

Cookware Characteristics

Aluminum:

Heats quickly and evenly.
Suitable for all types of cooking. Medium or heavy thickness is best for most cooking tasks.

Cast Iron:

Heats slowly and evenly.
Good for browning and frying. Maintains heat for slow cooking.

Ceramic or Ceramic glass:

Follow manufacturer's instructions.
Heats slowly, but unevenly. Ideal results on low to medium heat settings.

Copper:

Heats very quickly and evenly.

Earthenware:

Follow manufacturer's instructions.
Use on low heat settings.

Porcelain enamel on steel or cast iron:

See stainless steel or cast iron.

Stainless steel:

Heats quickly, but unevenly. A core or base of aluminium or copper on stainless steel provides even heating.

Match Pan Diameter to Flame Size

The flame should be the same size as the bottom of the pan or smaller. Do not use small pans with high flame settings as the flames can lick up the sides of the pan. Oversize pans that span two burners are placed front to rear, not side to side.

Use Balanced Pans

Pans must sit level on the cooktop grate without rocking. Center pan over burner.

Use a Lid That Fits Properly

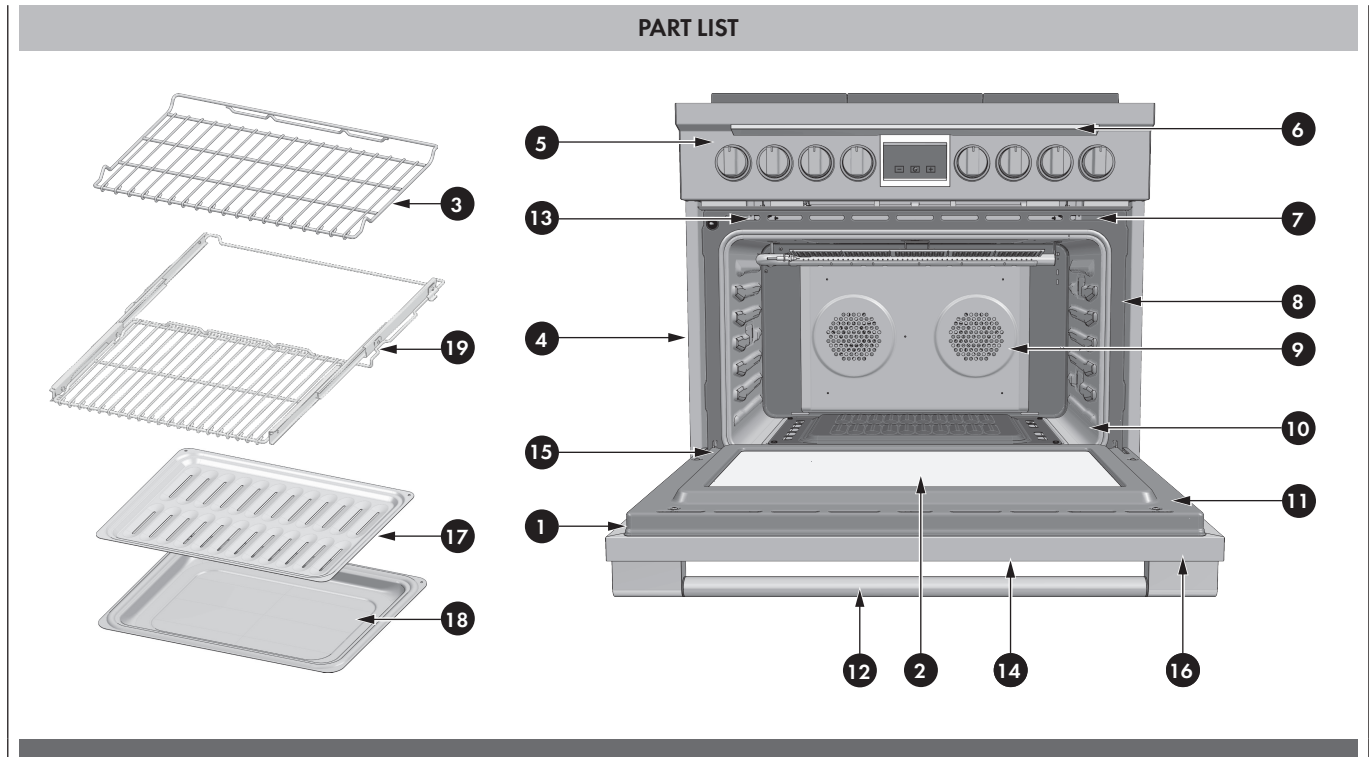
A well-fitting lid helps shorten the cooking time. Flat, heavy bottom pans provide even heat and stability.

WARNING

BALANCED PAN	
CONCAVE (HOLLOW)	
CONVEX (ROUNDED)	
FLAME TOO LARGE FOR PAN SIZE	
USE LIDS THAT FIT PROPERLY	
UNBALANCED PAN	

How to Use the Oven Cleaning Chart

1. Locate the number of the part to be cleaned in the illustration on this page.
2. Find the part name in the chart.
 - Use the cleaning method in the left column if the oven has a colored enamel finish.
 - Use the cleaning method in the right column if the oven is stainless steel.
3. Match the letter with the cleaning method on following page.



Cleaning Chart							
Part		Cleaning Method		Part		Cleaning Method	
		Enamelled	Stainless Steel			Enamelled	Stainless Steel
1	Door Frame	D	G	11	Interior Oven Door	E	E
2	Interior Door Windows	F	F	12	Door Handle	G	G
3	Removable Oven Racks	A or E	A or E	13	Door Cooling Vent	E	E
4	Slide Trim	G	G	14	Door Front	C&D	C&G
5	Control Panel Trim	G	G	15	Oven Trim	D	D
6	Control Panel	D	G	16	End Caps	D	G
7	Oven Cooling Vents	D	D	17	Broil Pan Rack	E	E
8	Oven Front Frame	E	E	18	Broil pan Bottom	E	E
9	Oven Cavity	E	E	19	Extendable rack	A	A
10	Mesh Gasket	B	B				

The entire oven can be safely cleaned with a soapy sponge, rinsed and dried. If stubborn soil remains, follow the recommended cleaning methods below.

- Always use the mildest cleaner that will do the job.
- Rub metal finishes in the direction of the grain.
- Use clean, soft cloths, sponges or paper towels.
- Rinse thoroughly with a minimum of water so it does not drip into door slots.
- Dry to avoid water marks.

The cleaners listed below indicate types of products to use and are not being endorsed. Use all products according to package directions.

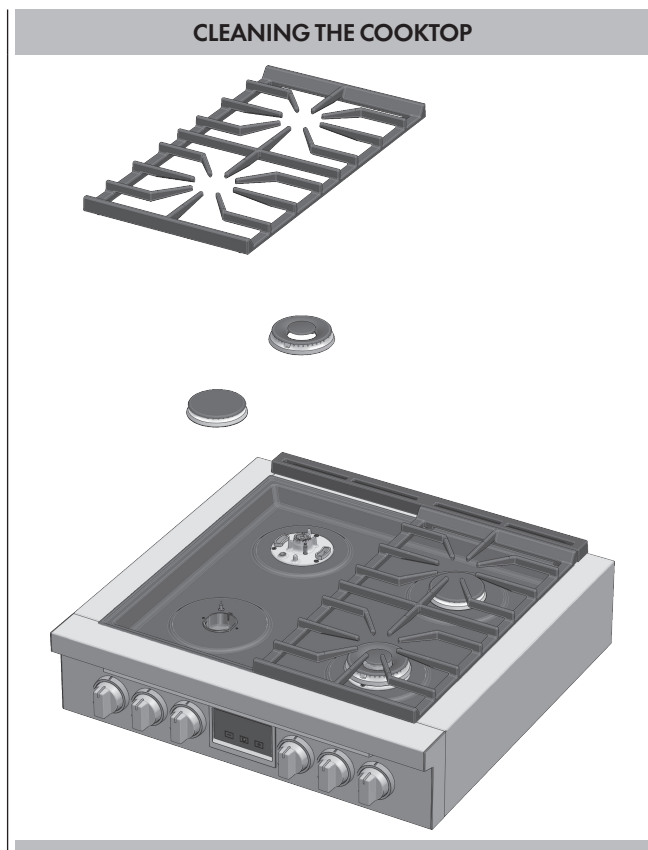
Part		Cleaning Method
A	Chrome Plated	Wash with hot sudsy water. Rinse thoroughly and dry. Or, gently rub with Soft Scrub®, Bon-Ami®, Comet®, Ajax®, Brillo® or S.O.S.® pads as directed. Easy Off® or Dow® Oven Cleaners (cold oven formula) can be used, but may cause darkening and discoloration. Racks may be cleaned in the oven during the self-clean mode. However, chromed racks will lose their shiny finish and permanently change to a metallic gray.
B	Fiberglass Knit	DO NOT HAND CLEAN GASKET.
C	Glass	Spray Windex® or Glass Plus® onto a cloth first then wipe to clean. Use Fantastik® or Formula 409® to remove grease splatters.
D	Painted	Clean with hot sudsy water or apply Fantastik® or Formula 409® first to a clean sponge or paper towel and wipe clean. Avoid using powdered cleansers and steel wool pads.
E	Porcelain	Immediately wipe up acidic spills like fruit juice, milk and tomatoes with a dry towel. Do not use a moistened sponge/towel on hot porcelain. When cool, clean with hot sudsy water or apply Bon-Ami® or Soft Scrub® to a damp sponge. Rinse and dry. For stubborn stains, gently use Brillo® or S.O.S.® pads. It is normal for porcelain to craze (fine lines) with age due to exposure from heat and food soil.
F	Reflective Glass	Clean with hot sudsy water and sponge or plastic scrubber. Rub stubborn stains with vinegar, Windex®, ammonia or Bon-Ami®. DO NOT USE HARSH ABRASIVES.
G	Stainless	Always wipe or rub with grain. Clean with a soapy sponge then rinse and dry. Or, wipe with Fantastik® or Formula 409® sprayed onto a paper towel. Protect and polish with Stainless Steel Magic® and a soft cloth. Remove water spots with a cloth dampened with white vinegar. Use Zud®, Cameo®, Bar Keeper's Friend® or RevereWare Stainless Steel Cleaner®, to remove heat discoloration.

The entire Cooktop can be safely cleaned by wiping with a soapy sponge, then rinsing and drying. If stubborn soil remains, follow the recommended cleaning methods below.

ATTENTION

- Before cleaning, be certain the burners are turned off and the grates are cool.
- Always use the mildest cleaner that will do the job. Use clean, soft cloths, sponges or paper towels.
- Rub stainless steel finishes in the direction of the grain. Wipe area dry to avoid water marks.
- Do not clean removable cooktop parts in any selfcleaning oven.
- After cleaning, place all parts in their proper positions before using cooktop.

The cleaners recommended below and on the following page indicate cleaner types and do not constitute an endorsement of a particular brand. Use all products according to package directions.



Cooktop Part / Material Suggested Cleaners

Parts and materials	Suggested cleaners	Suggestions/Reminders
Burner base (Cast aluminium)	Damp cloth.	Keep the gas injector area free of cleaning agents and any other material from entering the injector orifice.
Gas spreader (Cast aluminium)	Detergent and hot water; rinse and dry. Stiff nylon bristle-toothbrush to clean port openings. Abrasive cleansers: Revere ware® metal polish. Following package direction Use Brillo® or S.O.S.® pads. Rinse and dry.	Rub lightly, in a circular motion. Aluminium cleaners may dull the surface. To clean port opening, use a tooth brush or straightened paper clip. Take care not to damage / augment the shape of the ports.
Gas spreader (Brass)	Wash them in hot soapy water, rinse, and dry. Use a stiff nylon brush or straight-ended paper clip to clear the notches of a flame spreader.	Rub lightly, in a circular motion. Brass cleaners may dull the surface. To clean port opening, use a tooth brush or straightened paper clip.
Burner cap and grate (Porcelain enamel on cast iron)	Non abrasive cleaners: Hot water and detergent, Fantastic, Formula 409. Rinse and dry immediately. Mild abrasive cleaners: Bon Ami® and Soft Scrub®. Abrasive cleaners for stubborn stains: soap-filled steel wool pad.	The grates are heavy; use care when lifting. Place on a protected surface. Blisters/crazing/chips are common due to the extreme temperatures on grate fingers and rapid temperature changes. Acidic and sugar-laden spills deteriorate the enamel. Remove soil immediately. Abrasive cleaners, used too vigorously or too often, can eventually mar the enamel.

Parts and materials	Suggested cleaners	Suggestions/Reminders
Exterior finish (Porcelain enamel)	Hot sudsy water: rinse and dry thoroughly. Non abrasive cleansers: Ammonia, Fantastic®, Formula 409®. Mild abrasive cleansers: Bon Ami®, Ajax®, Comet®. Liquid cleaners: Kleen King®, Soft Scrub®	Acidic and sugar-laden spills deteriorate the porcelain enamel. Remove soil immediately. Do not use wet sponge or towel on hot porcelain. Always apply minimal pressure with abrasive cleaners.
Control knobs (Stainless Steel)	Hot sudsy water: rinse and dry immediately. If necessary, remove knobs (lift straight up).	Do not soak knobs. Do not use abrasive scrubbers or cleansers. Do not force knobs onto valve shaft. Pull knobs straight away from control panel to remove. When replacing knobs, make sure knobs are in the OFF position. Do not remove seats under knobs.
Exterior finish (Stainless Steel)	Nonabrasive cleaners: Hot water and detergent. Fantastic®, Formula 409®. Rinse and dry immediately. Cleaner polish: Stainless Steel Magic® to protect the finish from staining and pitting; enhances appearance. Hard water spots: Household white vinegar. Mild Abrasive Cleaners: Kleen King® stainless steel liquid cleaner, Cameo® aluminum & stainless steel cleaner, Bon Ami®. Heat discoloration: Bar Keepers Friend®.	Stainless steel resists most food stains and pit marks provided the surface is kept clean and protected. Never allow food stains or salt to remain on stainless steel for any length of time. Rub lightly in the direction of polish lines. Chlorine or chlorine compounds in some cleaners are corrosive to stainless steel. Check ingredients on label before using. Always apply minimal pressure with abrasive cleaners especially on graphics.
Igniters (Ceramic)	Carefully wipe with a cotton swab dampened with water, ammonia or Formula 409®. Gently scrape soil off with a toothpick.	Avoid excess water on the igniter. A damp igniter will prevent burner from lighting. Remove any lint that may remain after cleaning.

Before contacting service, check the following to avoid unnecessary service charges.

PROBLEM	PROBLEM SOLVING STEPS
The oven display stays OFF	Turn off power at the main power supply (fuse or breaker box). Turn breaker back on. If condition persists, call an authorized service center.
Cooling fan continues to run after oven is turned off	The fan turns off automatically when the electronic components have cooled sufficiently.
Oven light is not working properly	Replace or reinsert the light bulb if loose or defective. See Page 17. Touching the bulb with fingers may cause the bulb to burn out.
Oven light stays on	Check for obstruction in oven door. Check to see if hinge is bent or door switch broken. Also ensure function knob is turned to the 'OFF' position.
Cannot remove lens cover on light	There may be a soil build-up around the lens cover. Wipe lens cover area with a clean dry towel prior to attempting to remove the lens cover.
Excessive moisture	When using Bake mode, preheat the oven first. Convection Bake and Convection Roast will eliminate any moisture in oven (this is one of the advantages of convection).
Porcelain chips	When oven racks are removed and replaced, always tilt racks upward and do not force them to avoid chipping the porcelain.
Ignition will not operate	
Is the power supply cord unplugged?	Plug into a grounded 3 prong outlet.
Has a household fuse been blown or has the circuit breaker been tripped?	Replace the fuse or reset the circuit.
Surface burners will not operate	
Is the power supply cord unplugged?	Plug into a grounded 3 prong outlet.
Has a household fuse been blown or has the circuit breaker been tripped?	Replace the fuse or reset the circuit.
Surface burners will not operate	
Is this the first time the surface burners have been used?	Turn on any one of the surface burner knobs to release air from the gas lines.
Is the control knob set correctly?	Push in knob before turning to a setting.
Are the burner ports clogged?	See "Super Sealed Surface Burners" section.
Surface burner flames are uneven yellow and/or noisy	
Are the burner ports clogged?	See "Super Sealed Surface Burners" section.
Are the burner caps positioned properly?	See "Super Sealed Surface Burners" section.
Is propane gas being used?	The appliance may have been converted improperly. Contact a service technician.
Surface burner makes popping noises	
Is the burner wet?	Let it dry.
Is the cap and gas spreader positioned correctly?	Make sure the alignment pins are properly aligned see "Super Sealed Surface Burners" section.

PROBLEM	PROBLEM SOLVING STEPS
Excessive heat around cookware on cooktop	
Is the cookware the proper size?	Use cookware about the same size as the surface cooking area, element or surface burner. Cookware should not extend more than 1 in (2.5 cm) outside the cooking area.
Cooktop cooking results not what expected	
Is the proper cookware being used?	See "Cookware" section.
Is the control knob set to the proper heat level?	See "Setting the Control Knobs" section.

Before contacting service, please check "Troubleshooting." It may save you the cost of a service call. If you still need help, follow the instructions below. When calling, please know the purchase date and the complete model and serial number of your appliance. This information will help us to better respond to your request.

Service Data Record

For authorized service or parts information see paragraph "WARRANTY for Home Appliances".

For serial tag location see Page 6. Now is a good time to write this information in the space provided below. Keep your invoice for warranty validation.

Service Data Record
Model Number _____
Serial Number _____
Date of Installation or Occupancy _____

Veillez prêter attention à ces symboles que vous rencontrerez dans ce manuel



AVERTISSEMENT

- Ce symbole signifie que la sécurité est en danger. Il signale les risques potentiels qui peuvent entraîner la mort ou des blessures à l'opérateur ou aux autres.
- Si vous ne suivez pas ces instructions à la lettre, vous courez le risque de mourir ou d'être sérieusement blessé.

BIEN LIRE CES INSTRUCTIONS ET LES CONSERVER.



AVERTISSEMENT

Si les informations figurant dans ce manuel ne sont pas suivies à la lettre, il peut en résulter un incendie ou une explosion pouvant causer des dégâts matériels, des blessures, voire mort d'homme.

- **NE PAS ranger et utiliser d'essence ou d'autres vapeurs et liquides inflammables à proximité de cet appareil ou d'un autre appareil.**
- **QUE FAIRE SI VOUS SENTEZ UNE ODEUR DE GAZ**
 - **NE PAS essayer d'allumer un appareil.**
 - **NE PAS toucher d'interrupteur électrique.**
 - **NE PAS utiliser de téléphone dans votre bâtiment.**
 - **Appeler immédiatement votre fournisseur de gaz depuis chez un voisin. Suivre les instructions de votre fournisseur de gaz.**
 - **Si le fournisseur de gaz ne peut être rejoint, appeler les pompiers.**
- **L'installation et la maintenance doivent être confiées à un installateur qualifié, un réparateur agréé ou le fournisseur de gaz.**

IMPORTANT: Gardez ces instructions pour une utilisation d'inspection électrique locale

INSTALLATEUR: Veuillez laisser ce manuel au propriétaire pour de futures références.

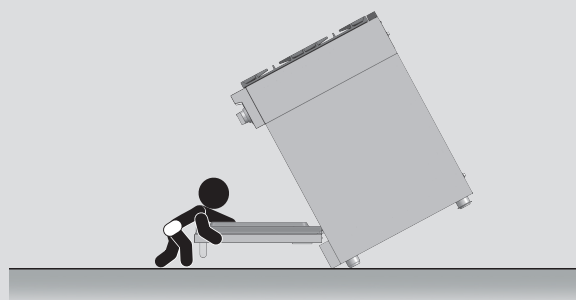
PROPRIETAIRE: Veuillez garder ce manuel pour de futures références.



AVERTISSEMENT

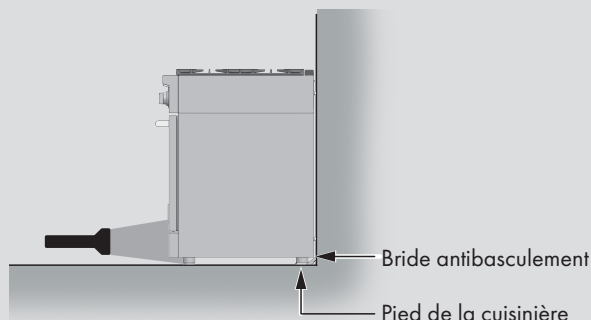
Risque de basculement

Un enfant ou une personne adulte peut faire basculer la cuisinière, ce qui peut causer un décès. S'assurer que le dispositif antibasculé est réengagé lorsque la plage est déplacée. Ne pas faire fonctionner la cuisinière si la bride antibasculé n'est pas installée et engagée. Le non-respect de ces instructions peut causer un décès ou des brûlures graves aux enfants et aux adultes.



Pour vérifier que la bride antibasculé est bien installée et engagée :

- Faire glisser la cuisinière vers l'avant.
- Vérifier que la bride antibasculé est bien fixée au plancher ou au mur.
- Faire de nouveau glisser la cuisinière vers l'arrière de sorte que le pied de la cuisinière se trouve sous la bride antibasculé.
- Voir les instructions d'installation pour plus de détails.



TABLES DES MATIERES	PAGE
1 - Précaution de Sécurité	3
2 - Instructions de Sûreté	5
Avertissements pour l'Installation de Gaz et Electrique	5
3 - Caractéristiques de Votre Four	6
3 - Les Tableaux de Commande	8
Commande	8
Boutons	8
Témoins de signalisation	8
5 - Information Générale du Four	9
6 - Conseils Généraux Sur le Four	10
Grilles de four	10
Grille rallonge	11
7 - Réglage de la Pendule et la Minuterie	12
Minuterie Mécanique	12
Minuteur à touches sensibles	12
8 - Sélection du Mode de Four	13
9 - Cuisson au four	14
10 - Solution pour des Problèmes de Cuisson	15
11 - Entretien à Faire Soi-Même Retrait de la Porte du Four	16
Pour enlever la porte	16
Pour remettre la porte	16
12 - Remplacement d'une Ampoule du Four	17
Pour remplacer une ampoule	17
13 - Caractéristiques de Votre Table de Cuisson	18
14 - Fonctionnement de la Table de Cuisson	20

TABLES DES MATIERES	PAGE
Utilisation des Boutons de Commande	20
Gaz Brûleurs	20
Brûleurs avec deux anneaux de flamme	20
Brûleurs de Surface Etanches	21
15 - Batterie de Cuisine	22
Caractéristiques des Matériaux	22
Le Diamètre de la Casserole Doit Correspondre au Diamètre de la Flamme	22
16 - Entretien Général du Four	23
Comment utiliser le tableau de nettoyage du four	23
Tableau de Nettoyage	23
17 - Finitions du Four / Méthodes de Nettoyage	24
18 - Nettoyage de la Table de Cuisson	25
Table de Cuisson / Produits d'Entretien Conseillés	25
19 - Résolution des Problèmes de Fonctionnement	27
20 - Assistance ou Service Après-Vente	28



INSTRUCTION IMPORTANT

Veillez lire les instructions avant toute utilisation.



AVERTISSEMENT

A condition de bien l'entretenir, votre nouveau four a été conçu pour être un appareil fiable et sûr. Lisez toutes les instructions soigneusement avant d'utiliser ce four. Ces précautions réduiront le risque de brûlures, d'électrocutions, d'incendie, et de blessures à des personnes. Lorsque vous utilisez des appareils électroménagers de cuisine, il faut suivre les mesures de sécurité basiques, y compris les suivantes:

Cet appareil doit être correctement installé et branché par un technicien qualifié. Branchez-le uniquement à une prise de courant de terre correcte. Reportez-vous à "Instructions de mise à la terre" dans les Instructions d'installation.

- Cet appareil ne doit être mis en service uniquement par un technicien apte et agréé. Contactez le centre de service agréé le plus proche de chez vous pour une inspection, une réparation ou un réglage.
- Ne réparez pas ou ne remplacez pas des pièces du appareil sauf si on vous le recommande spécifiquement. Faites appel au service agréé.
- Ne faites pas fonctionner cet appareil s'il ne fonctionne pas correctement ou s'il a été abîmé jusqu'à l'inspection du service après-vente agréé.
- Installez ou placez cet appareil uniquement et conformément aux Instructions d'installation.
- Utilisez ce four uniquement dans le but pour lequel il a été conçu par le fabricant. Pour toute question, contactez le fabricant.
- Ne couvrez pas ou ne bloquez pas les ouvertures de cet appareil.
- N'utilisez l'appareil que selon l'usage décrit dans ce manuel. N'utilisez pas de produits chimiques corrosifs, des vapeurs ou des produits non - alimentaires dans cet appareil. Ce type de four est spécifiquement conçu pour chauffer ou cuire. Il n'est pas conçu pour une utilisation industrielle ou en laboratoire. L'utilisation de produits chimiques corrosifs pour le chauffage et le nettoyage endommagera cet appareil.
- Si vos vêtements ou vos cheveux prennent feu, LAISSEZ-VOUS TOMBER ET ROULEZ IMMEDIATEMENT pour éteindre les flammes.



AVERTISSEMENT

- Si l'huile de cuisson devait prendre feu, ÉTOUFFER LES FLAMMES en bouchant le récipient avec un couvercle bien hermétique, un moule à gâteaux ou un autre plateau en métal, puis éteignez le brûleur à gaz.
- VEILLEZ À NE PAS VOUS BRÛLER.
- Si les flammes ne s'éteignent pas, ÉVACUER IMMEDIATEMENT LE LOCAL ET APPELER LES POMPIERS.
- N'utilisez ni eau ni torchons ou serviettes mouillés pour éteindre un feu dû à la graisse de cuisson, vous pourriez provoquer une violente explosion.
- NE JAMAIS PRENDRE DANS LES MAINS UNE POÊLE EN FEU, vous pourriez vous brûler.
- Ayez TOUJOURS un DÉTECTEUR DE FUMÉE EN ÉTAT DE MARCHÉ à proximité de la cuisine. FAITES FONCTIONNER LE VENTILATEUR DE LA HOTTE lorsque vous flambez des aliments.
- Ne pas boucher le flux d'air de combustion au niveau de l'ouverture de ventilation du four ni au-dessous du panneau frontal inférieur de la cuisinière. Éviter de toucher les ouvertures de ventilation ou les surfaces voisines car ces surfaces pourraient se réchauffer pendant que le four est en service. L'air frais est indispensable pour une bonne combustion au brûleur.
- NE JAMAIS couvrir les fentes, les trous ou les passages du four, ni couvrir une grille de papier aluminium. Ceci obstrue le débit d'air dans le four et peut causer un empoisonnement au monoxyde de carbone. Les doublures en aluminium peuvent aussi causer un risque d'incendie.
- N'utilisez JAMAIS cet appareil comme poêle à gaz pour chauffer la pièce. Sinon, vous risquez un empoisonnement au monoxyde de carbone.

Pour réduire le risque de brûlures lorsque vous cuisinez, veuillez observer les conseils suivants:

- Ne laisser pas les jeunes enfants ou les animaux seuls ou sans surveillance dans une pièce où un appareil électroménager est allumé. Ils ne devraient jamais avoir le droit de s'asseoir ou de se tenir debout sur une quelconque partie de l'appareil.
- Ne pas stocker des matériaux inflammables sur la table de cuisson ou à proximité.
- Lorsque vous cuisinez sur la table de cuisson: NE PAS TOUCHER LES GRILLES DU BRÛLEUR NI LA ZONE AUTOUR.
- Ne prendre les récipients qu'à l'aide de maniques sèches: des maniques humides ou mouillées sur des surfaces chaudes créent de la vapeur qui peut vous brûler.

- Une table de cuisson avec un brûleur allumé ne doit jamais être laissée sans surveillance: un liquide qui bout et déborde crée de la fumée ou s'il est huileux peut prendre feu. Un débordement sur un brûleur peut étouffer la flamme partiellement ou totalement ou bloquer l'étincelle d'allumage. Dans le cas d'un débordement, éteindre le brûleur et vérifier son fonctionnement. S'il fonctionne normalement, vous pouvez le rallumer.
- Lorsque vous cuisinez, choisissez la position du bouton de commande de façon à ce que la flamme ne chauffe que le bas de la casserole et ne dépasse pas sur les côtés.
- Veillez à ce que des courants d'air provoqués par exemple par un ventilateur ne soufflent pas des matériaux inflammables en direction de la flamme ou ne fassent en sorte que la flamme dépasse les bords du récipient utilisé.
- Mettez toujours les poignées des récipients vers le centre de sorte qu'ils ne soient pas au-dessus d'autres plans de travail adjacents, d'autres brûleurs ou sur le bord de la table de cuisson.
- Quand vous cuisinez, veillez à porter des habits adéquats en évitant des habits lâches ou des manches tombantes.
- Ne jamais permettre que les habits ou les maniques ou tout autre matériau inflammable ne viennent en contact avec les brûleurs ou les grilles des brûleurs lorsqu'ils sont chauds.
- N'utiliser qu'un certain type de récipients en verre, en vitrocéramique résistant à la chaleur, en céramique, en faïence ou d'autres récipients émaillés qui sont adaptés à la table de cuisson.
- Ne jamais nettoyer la table de cuisson lorsqu'elle est encore chaude. Certains détergents appliqués sur des surfaces chaudes provoquent des vapeurs nocives.

**ATTENTION**

Veillez à ce qu'aucune feuille d'aluminium, de plastique, de papier ou du tissu ne puisse venir au contact d'un brûleur chaud ou d'une grille chaude. Ne laissez pas les casseroles bouillir sans eau.

**ATTENTION**

Ne mettez pas des objets d'intérêt pour les enfants sur le four. Si un enfant devait grimper sur l'appareil électroménager pour atteindre ces objets, il pourrait se blesser gravement.

Pour réduire les risques de feu dans le four:

1. Ne mettez pas des matériaux inflammables près du four ou dedans.
2. N'utilisez pas d'eau sur un feu de friture. Etouffez le feu en utilisant un extincteur à poudre ou à mousse.
3. Il est hautement recommandé que l'extincteur soit prêt à l'utilisation et bien visible non loin de tout appareil de cuisson.
4. Ne surcuisez pas les aliments. Surveillez le four si des produits en papier, en plastique ou des matières combustibles sont placés dedans.
5. N'utilisez pas l'intérieur du four pour ranger des objets. Ne laissez pas des produits en papier, des ustensiles de cuisine ou de la nourriture dans le four lorsqu'il n'est pas utilisé.
6. Si des matériaux à l'intérieur du four s'enflamment, laissez la porte du four. Eteignez le four et débranchez le circuit aux boîtiers disjoncteurs.
7. N'obstruez pas les ouvertures de ventilation.
8. Assurez-vous que le ventilateur fonctionne lorsque le four est en marche. Si le ventilateur ne fonctionne pas, n'utilisez pas le four. Appelez le service après-vente agréé.
9. Pour votre sécurité, portez des vêtements appropriés. Des vêtements amples ou de grandes manches ne doivent jamais être portés en utilisant ce four.

- Attachez les cheveux longs.
- Ne touchez pas les surfaces intérieures du four.
- Pendant et après l'utilisation, ne touchez pas ou ne laissez pas des vêtements ou d'autres matières inflammables en contact avec les brûleurs ou les surfaces intérieures du four jusqu'à ce qu'ils aient eu le temps de refroidir suffisamment.
- D'autres surfaces de l'appareil pourraient devenir suffisamment chaudes pour provoquer des brûlures - ces surfaces sont, par exemple, les ouvertures de ventilation du four et les surfaces proches de ces ouvertures, les portes du four et les fenêtres des portes du four.
- L'habillage sur le dessus et sur les côtés de la porte du four peut être assez chaud pour provoquer des brûlures.
- Ouvrez la porte avec précaution. Ouvrez la porte doucement pour laisser échapper l'air chaud ou la vapeur avant d'enlever ou de remplacer la nourriture.
- Ne chauffez pas des emballages alimentaires non ouverts. L'accumulation de pression pourrait faire exploser l'emballage et donc blesser.
- Placez toujours les grilles du four dans la position voulue lorsque le four est froid. Si une grille doit être déplacée lorsque le four est chaud, ne laissez pas les mouffes en contact avec les brûleurs.
- Utilisez toujours des mouffes sèches. Des mouffes humides sur des surfaces chaudes peuvent brûler à cause de la vapeur. La moufle ne doit pas toucher le brûleur. N'utilisez pas de torchons ou d'autres serviettes volumineuses.



AVERTISSEMENT

- Si un brûleur devait s'éteindre et le gaz s'échapper, ouvrez une fenêtre ou une porte. Attendez 5 minutes avant d'utiliser à nouveau la table de cuisson.
- N'obstruez pas le flux de l'air de combustion et de ventilation.
- Vous ne devez en aucun cas utiliser une feuille d'aluminium pour tapisser une quelconque partie de la cavité du four, car elle fondra et abîmera l'émail pendant la cuisson.
- Si la range cookers se trouve à proximité d'une fenêtre, assurez-vous que les rideaux ou tout autre type de stores ne peuvent pas être soufflés sur ou à côté des brûleurs: ils pourraient prendre feu.

Avertissements pour l'Installation de Gaz et Electrique

Au cas où il faudrait procéder à l'installation de gaz propane

L'appareil est prête à l'emploi avec du gaz naturel. Vous pouvez la transformer pour utiliser du gaz propane grâce au kit de conversion propane fourni avec l'appareil.



AVERTISSEMENT

L'installation et l'entretien de l'appareil doivent être exécutés par un installateur qualifié, un bureau technique ou le fournisseur de gaz.



ATTENTION

- Toujours débrancher la prise électrique de l'appareil avant de commencer les opérations d'entretien.
- Pour des raisons de sécurité personnelle, cet appareil doit être mis à la terre correctement.
- Il ne faut en aucun cas couper ou enlever le troisième fil (terre) du câble électrique.



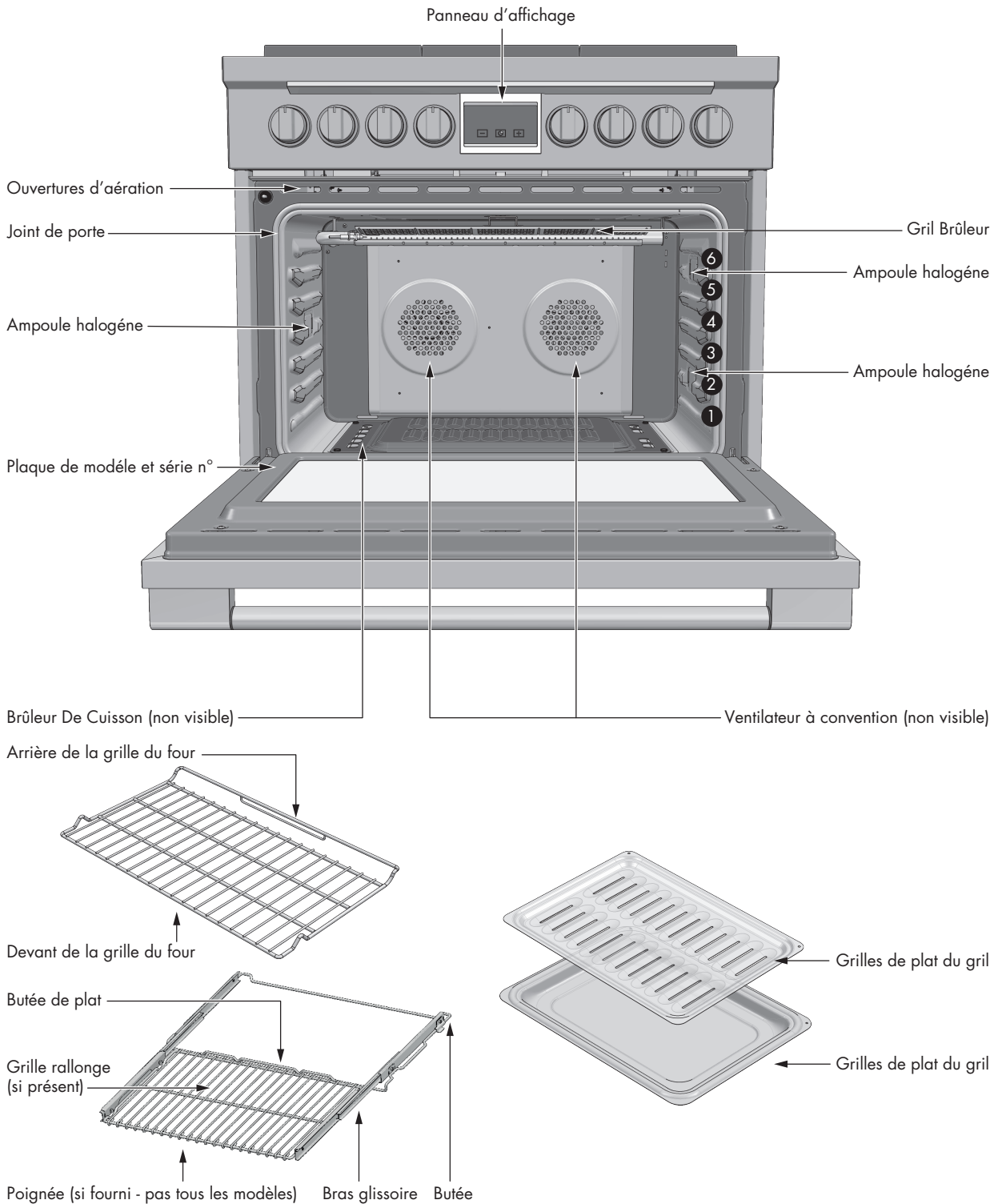
ATTENTION

Au moment de brancher l'unité au gaz de propane, vous assurer que la bouteille de gaz est bien équipée avec son propre régulateur de haute pression. En outre, le régulateur de pression fourni avec la table de appareils doit se trouver à l'entrée du tuyau de gaz de cet appareil.

En cas de panne de courant

Si pour une quelconque raison un bouton de commande est allumé mais il n'y a pas de courant pour que l'allumeur électrique de la table de cuisson fonctionne, ÉTEINDRE la table de cuisson, attendre 5 minutes afin que le gaz se dissipe, puis allumer manuellement. Pour allumer le brûleur manuellement, portez avec précaution la flamme d'une allumette à la hauteur des orifices du brûleur, enfoncez le bouton de commande et tournez-le sur la position HI jusqu'à ce que le brûleur s'allume. Alors, vous pouvez mettre le bouton de commande sur la position désirée.

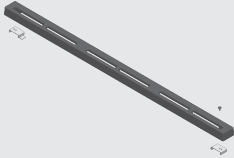
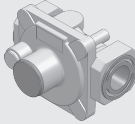
CARACTÉRISTIQUES DE VOTRE FOUR

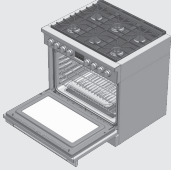
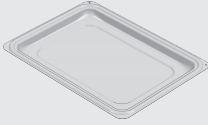
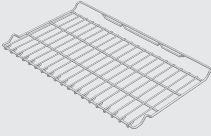

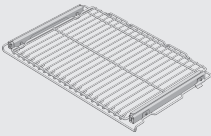


MODÈLE: 30"	Gaz naturel, avec P.C. de 12,7 cm (5 po)	Gaz propane, avec P.C. de 25,5 cm (10 po)
GRIL	14000 Btu/h (4100W)	13000 Btu/h (3800W)
FOUR	18000 Btu/h (5300W)	16000 Btu/h (4700W)

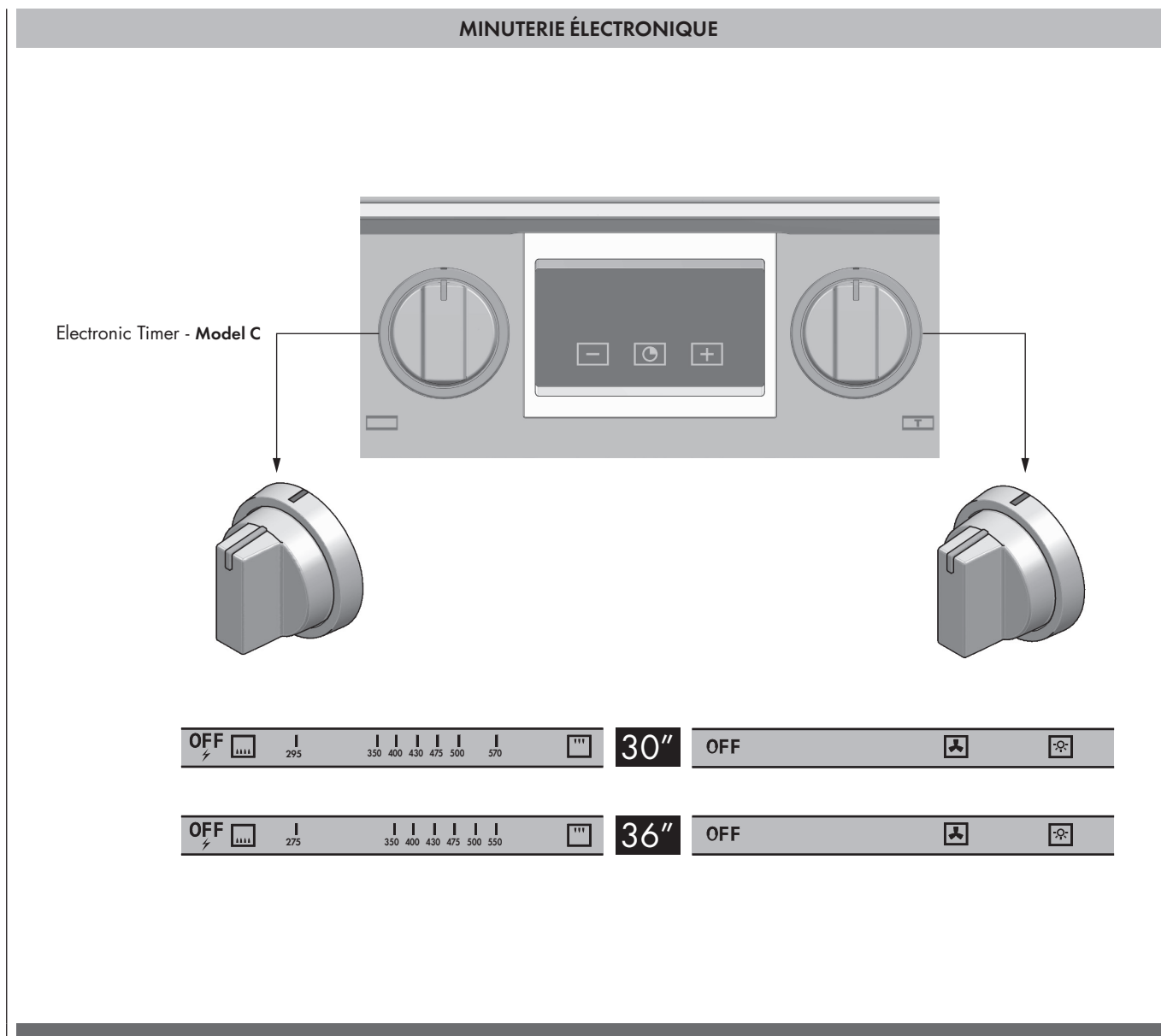
MODÈLE: 36"	Gaz naturel, avec P.C. de 12,7 cm (5 po)	Gaz propane, avec P.C. de 25,5 cm (10 po)
GRIL	18000 Btu/h (5300W)	17000 Btu/h (5000W)
FOUR	21500 Btu/h (6300W)	21500 Btu/h (6300W)

NOTE: Btu/h de-rated 4% per 1000 feet for appliances installed over 2,000 feet (610m)

CONTENU DE L'EMBALLAGE DE VOTRE CUISINIÈRE					
	QTY	DESCRIPTION		QTY	DESCRIPTION
	1	CUISINIÈRE		2	GRILLES EN FONTE
				3	Modèle pour TABLE DE CUISSON de 30"
					Modèle pour TABLE DE CUISSON de 36"
	1	REVÊTEMENT ISLAND EN FONTE DEUX VIS DE FIXATION		1	RÉGULATEUR DE PRESSION
	1	BARRE DE PROTECTION ANTÉRIEURE		1	RACCORD
	3	PIEDS		1	JOINT / RONDELLE
	1	PIED À COLLERETTE			MANUELS ET DOCUMENTATION GÉNÉRALE
				1	"INSTRUCTIONS D'INSTALLATION"
				1	"UTILISATION & ENTRETIEN"
				1	KIT DE CONVERSION DU GAZ
	1	QUATRE VIS DE FIXATION ANTIBASCULEMENT			

ACCESSOIRES DU FOUR DE VOTRE CUISINIÈRE					
	QTY	DESCRIPTION		QTY	DESCRIPTION
	1	FOUR		1	PLAQUE À GRILLER ÉMAILLÉE
	2	GRILLES CHROMÉES		1	GRILLE ÉMAILLÉE ANTI-ÉCLABOUSSURES
	1	GRILLE CHROMÉE TÉLESCOPIQUE (SI PRÉSENT)			

L'interface d'utilisation a les caractéristiques suivantes: affichage, indicateurs lumineux de préchauffage, touches de commande, mode de cuisson et sélecteurs de température.



Commande

Minuterie électronique

Boutons

Sélecteur de fonction, à deux fonctions + position OFF.

- 1. Éclairage
- 2. Ventilateur du four

Thermostat à deux fonctions + position OFF.

- 1. **Sens antihoraire:** Brûleur four + réglage température.
- 2. **Sens horaire:** Brûleur grill

Témoins de signalisation

- Gauche:** Erreur ventilateur
- Droite:** Témoin indicateur four ON

Ventilateur de refroidissement

Le ventilateur se trouve dans l'espace mécanique entre le four et la table de cuisson et crée une circulation d'air de refroidissement à l'intérieur de cet espace qui s'écoule par l'ouverture entre le tableau de bord et la porte du four à l'avant de l'appareil. Il s'allume automatiquement lorsque le seuil des thermostats internes est atteint afin de refroidir le verre de la porte, les composants internes et l'électronique de refroidissement pour une longue durée de vie confortable et sans effort.

Il devrait normalement se déclencher à un moment donné pendant le fonctionnement du four et va continuer à fonctionner après que l'appareil a été éteint jusqu'à ce la température idéale soit atteinte dans l'espace mécanique.

Il est également possible que ce ventilateur de refroidissement puisse fonctionner lorsque vous utilisez uniquement la table de cuisson lors d'une cuisson à haute température pendant de longues périodes sur plusieurs brûleurs.

Si vous remarquez que le ventilateur ne fonctionne pas du tout lorsque le four est marche, veuillez contacter immédiatement le S.A.V.

Ventilateur de convection

Le ventilateur de convection fonctionne avec le mode de convection. Quand le four fonctionne en mode de convection, le ventilateur s'éteint automatiquement à l'ouverture de la porte.

Lumière four

L'éclairage du four est normalement éteint ; il s'allume à l'ouverture de la porte. Le bouton sélecteur de fonction peut être utilisé pour maintenir l'éclairage du four constamment allumé. Quand le bouton sélecteur de fonction est tourné sur la position ventilateur de convection, l'éclairage intérieur reste allumé de façon permanente. Il n'est pas possible d'éteindre la lumière tant que le mode de convection est sélectionné.

Évent arrière du four.

L'air chaud provenant du four est évacué par des événements qui se trouvent à l'arrière de la table de cuisson.

Ne permettez pas que le flux d'air provenant des événements arrière soit bloqué par un obstacle (casseroles, chiffons).

Avant la première utilisation

Pour assurer que toute l'huile résiduelle du processus de fabrication a été éliminée, chaque four doit subir les opérations décrites ci-dessous.

1. Nettoyer minutieusement le four avec de l'eau chaude et un détergent doux. Rincer et sécher avec un chiffon doux.
2. Allumer la ventilation. L'apparition d'un peu de fumée et d'odeur est normale.
3. Régler la température du four à 250°F (120°C) et laisser le four chauffer pendant une heure.
4. Régler la température du four à 500°F (260°C) et laisser le four chauffer pendant une heure supplémentaire.
5. Éteindre le four et le laisser refroidir avec la porte fermée.

Préchauffage du four

- Préchauffez le four pour les modes de Cuisson, Convection Europ. et Gril.
- Sélectionnez une température plus élevée ne réduit pas le temps de préchauffage.
- Le préchauffage est nécessaire pour de bons résultats lorsque vous cuisinez des gâteaux, des biscuits, des pâtisseries et du pain.
- Le préchauffage aidera à saisir les rôtis et à garder la viande juteuse.
- Places les grilles de four dans leur position appropriée avant le préchauffage.
- Il n'y a aucune indication lumineuse ni sonore montrant que le four a atteint la température de consigne.

Temps de préchauffage estimé pour Gamme 36''		
°F	°C	MIN:SEC
250	~ 120	2:30
325	~ 165	4:00
375	~ 190	5:00
425	~ 220	7:00
475	~ 245	9:00
550	~ 290	11:30

Temps de préchauffage estimé pour Gamme 30''		
°F	°C	MIN:SEC
250	~ 120	2:30
325	~ 165	3:30
375	~ 190	4:30
425	~ 220	5:30
475	~ 245	7:00
550	~ 290	11:00

Suggestions d'utilisation

- Ne posez pas les plats sur la porte ouverte.
- Utilisez la lumière intérieure du four pour voir la nourriture à travers la fenêtre de la porte du four plutôt que d'ouvrir la porte fréquemment.

Ustensiles

- Les plats en verre absorbent la chaleur. Réduisez la température du four de 25 °F (15 °C) lorsque vous utilisez des plats en verre.
- Utilisez des plats qui donnent le brunissage désiré. Le type du finissage du plat aide à déterminer le brunissage.
- Les plats métallisés lisses et brillants ou anodisés/ antiadhésifs plus pâles réfléchissent la chaleur, donnant un brunissage plus léger, plus délicat. Les gâteaux et les biscuits nécessitent ce type de plat.
- Les plats mats, rugueux, foncés vont absorber la chaleur donnant une croûte plus brune plus croustillante. Utilisez ceux-ci pour les tartes.
- Pour des croûtes croustillantes, brunes, utilisez des plats anodisés/antiadhésifs ou foncés ou en métal mat ou en verre. Des plats isolés peuvent augmenter le temps de cuisson.

- Ne cuisez pas avec le gril vide dans le four, cela pourrait changer la performance de cuisson. Rangez-le en dehors du four.

Condensation du four et température

- Il est normal qu'une certaine quantité d'humidité s'évapore des aliments pendant la cuisson. La quantité dépend de l'humidité contenue dans la nourriture. L'humidité peut se condenser sur toute surface plus froide que l'intérieur du four, comme le tableau de commande.

Cuisson à haute altitude

- Lorsque vous cuisinez à haute altitude, les recettes et les durées de cuisson varient de la norme.

Grilles de four

- Le four est pourvu de guides de grilles à six niveaux comme indiqué dans l'illustration Page 6.
- Les positions sont numérotées du bas (n° 1) vers le haut (n° 6).
- Chaque niveau de guide comprend des supports par paire formés dans les parois de chaque côté du four.
- Assurez-vous de toujours placer les grilles avant d'allumer votre four. Assurez-vous que les grilles sont au bon niveau lorsqu'elles sont placées.

Veillez-vous reporter à l'illustration Page 6 si vous avez des questions comme savoir où est le devant de la grille.

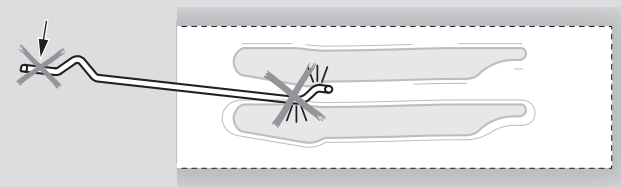
- Les grilles sont dessinées pour s'arrêter lorsqu'elles sont poussées jusqu'à leur limite.

**REMARQUE!**

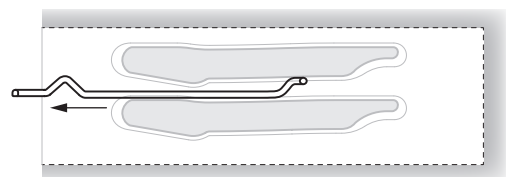
N'utilisez jamais de feuille en aluminium pour couvrir les grilles ou le fond du four. La chaleur coincée sous l'aluminium peut causer des dégâts au four.

**ATTENTION**

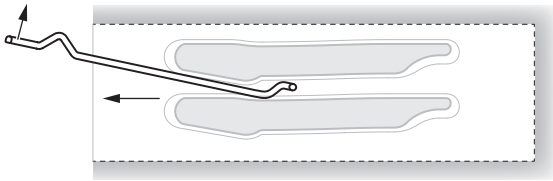
Veillez à ne pas forcer pour éviter d'endommager l'émail

**Pour enlever les grilles:**

1. Tirez-les vers vous

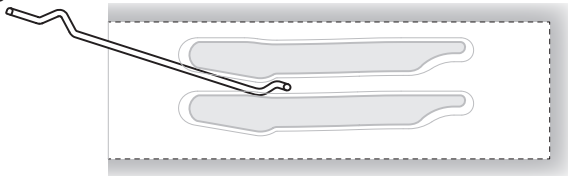


2. Soulevez-les vers devant et ensuite enlever-les

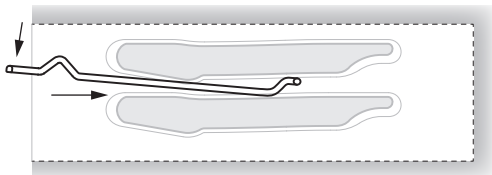


Pour remplacer une grille:

1. Placez l'arrière de la grille entre les guides de niveau de grille



2. En soulevant vers le haut la grille, faites-la glisser tout le long en baissant le devant



Grille rallonge

- Cette grille facilite l'accès aux aliments cuisants. Elle s'allonge plus que la grille standard pour rapprocher les aliments de l'utilisateur.



ATTENTION

Lorsque la grille est hors du four, les bras latéraux ne se verrouillent pas, ils peuvent s'allonger de façon inattendue si la grille est tirée incorrectement et causes des blessures.

La grille doit être tenue ou tirée en saisissant les côtés.

NOTE: Toujours enlever la grille rallonge avant l'autonettoyage.



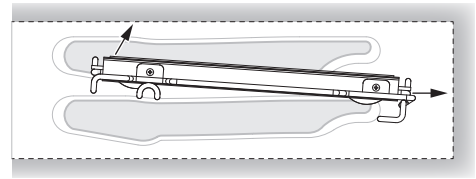
ATTENTION

Pour éviter les brûlures, tirer complètement la grille et soulever la casserole audessus de la poignée au moment de transférer des aliments hors du et dans le four.

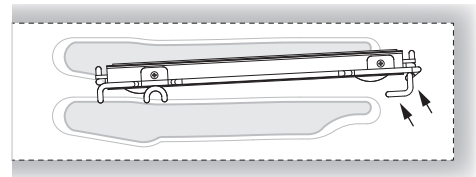
Veuillez-vous reporter à l'illustration Page 6 si vous avez des questions comme savoir où est le devant de la grille.

Retrait du four:

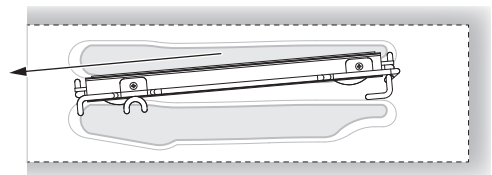
1. Soulevez légèrement la grille et poussez-la vers l'arrière du four jusqu'à ce que la butée se dégage.



2. Soulever l'arrière de la grille jusqu'à ce que le cadre et la butée se dégageant du guide

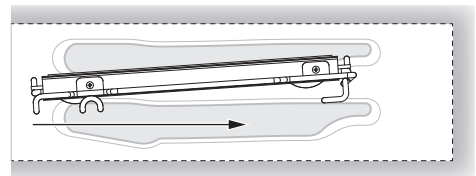


3. Tirer vers le bas et sortir

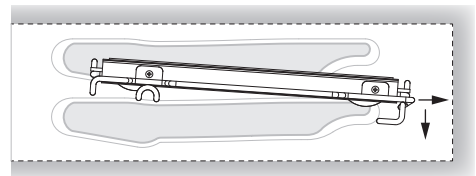


Mise en place dans le four:

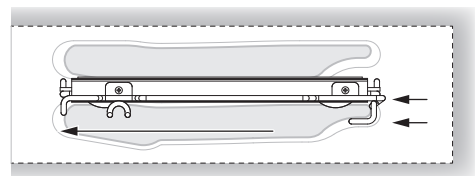
1. Saisir la grille fermement par les côtés. Placer la grille et le cadre au-dessus du guide de grille désiré



2. Pousser au fond jusqu'à ce que l'arrière de la grille se mette en position






3. Tirer les deux sections vers l'avant jusqu'à la butée. La grille doit être droite et non croche



Minuteur à touches sensibles


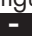
Réglage de la pendule



Lors de la première utilisation de l'appareil, l'affichage fera apparaître le symbole « Auto » et la valeur « 0:00 » en mode clignotant. Pour effectuer le réglage initial de la pendule, exercez une pression de plus de 3 secondes sur la touche centrale. Lorsque le symbole  apparaît, réglez l'heure en utilisant les touches  ou .

Remarque: seulement 12 heures de réglage disponible.




Attendre qu'un signal acoustique indique que le réglage de l'heure a été pris en compte.

Pour modifier le réglage de l'heure par la suite, entrez en mode de configuration en appuyant simultanément sur les touches  et  et procédez ensuite comme indiqué ci-dessus.

Minutage



Cette fonction est une fonction de minutage indépendante, sans interaction avec le four, qui continuera par conséquent à fonctionner normalement au terme du minutage.

Pour régler le minuteur, exercez une pression de plus de 3 secondes sur la touche centrale pour faire apparaître le symbole  puis utilisez les touches  et  pour programmer la durée désirée.

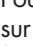
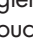

Pour modifier la durée programmée, exercez une pression de plus de 3 secondes sur la touche centrale et réglez à nouveau le minuteur. À l'expiration de la durée programmée, le minuteur émettra un signal acoustique. Pour l'interrompre, appuyez sur l'une des touches de l'appareil.

The minute counter beeps when it finishes counting. To disable it, press any button.

La minuterie peut être réglée à un maximum de 23 heures et 59 minutes.

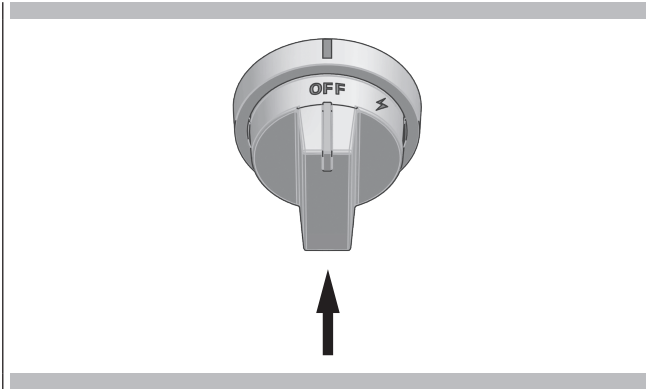
Réglage du volume du signal acoustique



Pour régler le volume de la sonnerie, appuyez simultanément sur les touches  et . Appuyez sur la touche centrale pour faire clignoter la mention "ton1" (fort). Utilisez ensuite la touche  pour passer à "ton2" (moyen) puis à "ton3" (faible). Appuyez sur la touche centrale pour mémoriser le volume sélectionné.

Contrôle de la température de cuisson

Lorsqu'il est encore en position (off), appuyer à fond sur le bouton de réglage de la température pendant environ une seconde (vous entendrez le module d'allumage faire un son brusque).



Relâcher et tourner le bouton dans le sens anti-horloger jusqu'au réglage de température souhaité (passer au moins la température minimale marquée sur le bouton). Lorsque le module d'allumage démarre, il continuera automatiquement pendant environ 9 secondes pour s'assurer que le gaz est allumé. Vous pourriez entendre un son whoosh lorsque la flamme s'allume autour du brûleur. (Se référer au tableau de préchauffage mentionné un peu avant dans ce manuel pour les temps de préchauffage).

Si le brûleur n'est pas allumé, retournez le bouton à la position "OFF" et répétez la procédure d'allumage du brûleur à gaz décrite ci-dessus.

L'allumage du brûleur du grill suit la même procédure que celle ci-dessus à la différence que le bouton doit être tourné dans le sens horloger en position Grill une fois que l'on démarre l'allumage.

Scanner le code QR ci-dessous pour aller à la vidéo YouTube d'allumage du brûleur du four.



REMARQUE : une odeur de gaz peut être détectée dans les cas où le brûleur ne s'allume pas, ce qui est normal et n'indique en aucun cas un débit continu de gaz, une petite quantité s'est vraisemblablement échappée pendant la séquence d'éclairage. Les fours sont équipés de thermocouples de sécurité qui ferment la vanne et coupent le flux de gaz si une flamme n'est pas détectée. C'est pourquoi la manette doit être retournée à la position "OFF" pour réinitialiser le thermocouple en cas d'allumage défectueux pour toute nouvelle tentative.

Contrôle de la température de cuisson

Le bouton de contrôle de la température, qui est équipé d'une soupape de sûreté, permet de régler la température du four souhaitée. Lorsque le four est en service ou si le bouton de sélection de fonction (ventilateur / lumière) est tourné sur l'une des options, la lampe-témoin ON est allumée

La position minimum correspond à une température du four de:

30" = 295°F (145°C)

36" = 275°F (135°C)

Le bouton de commande s'arrête à la position minimale.

La position maximum correspond à une température du four de:

30" = 570°F (300°C)

36" = 550°F (290°C)

et s'obtient en tournant le bouton à fond dans le sens antihoraire.

ATTENTION

Si votre expérience d'allumage ne correspond pas à la description ci-dessus ou ne s'allume pas après plusieurs tentatives, éteignez l'alimentation en gaz au four et contactez le SAV.

Gril

Pour allumer le gril, tourner le bouton dans le sens horaire jusqu'à la position correspondante et le maintenir enfoncé 5-10 secondes.

ATTENTION

Lors de l'utilisation du gril, des parties accessibles peuvent devenir très chaudes; tenir les enfants à distance de sécurité.

Avantages du mode Convection

La fonction ventilateur de convection, combinée avec une forte chaleur provenant du brûleur inférieur, permet de faire cuire les aliments de manière plus homogène et délicate qu'avec le brûleur seul.

La cuisson est plus rapide que dans un four traditionnel. La cuisson est plus rapide que dans un four traditionnel. Le système convient pour cuisiner des aliments de différents types (poissons, viande, etc.) à plusieurs niveaux.

Le préchauffage n'est pas nécessaire lorsque l'on utilise les modes de convection, mais il est recommandé pour la cuisson. Avec cette méthode de cuisson par convection, vous pouvez actionner le four de manière normale et suivre les instructions du livre de recettes.

Placez de préférence les aliments à cuire au centre du four.

ATTENTION

L'usage prolongé de l'appareil au gaz produit de la chaleur et de l'humidité dans la cuisine. Cela peut entraîner une ventilation supplémentaire, comme l'ouverture d'une fenêtre ou une ventilation plus efficace, par exemple en augmentant le niveau de ventilation mécanique là où elle est présente (hotte d'aspiration).

ALIMENTS	TEMPÉRATURE °F (°C)	TEMPS DE CUISSON (min)	PRÉCHAUFFER
Pâte Biscuits (Roulés)	410 (210)	15 - 20	Oui
Pâte Brisée (Biscuit)	390 (200)	10 - 12	Oui
Pâte À Levain Artificiel	390 (200)	25 - 30	Oui
Pain D'Espagne	375 (190)	20 - 25	Oui
Pâte Levée (Strudel)	355 (180)	40 - 50	Oui
Pâte Feuilletée	375 (190)	20 - 30	Oui
Soufflé	355 (180)	35 - 40	Oui
Sacher Torte	355 (180)	55 - 60	Oui
Tarte Aux Fruits	320 (160)	160 - 180	Oui
Pâte À Beignets	390 (200)	35 - 40	Oui
Rôti De Boeuf (Env. 1,5 Kg)	390 (200)	90 - 120	Oui
Pizza	390 (200)	20 - 25	Oui
Quiche De Poisson	355 (180)	50 - 60	Oui
Gâteau De Légumes	340 (170)	30 - 40	Oui
Volaille	375 - 390 (190 - 200)	60 - 70	Oui

Indications pour la cuisson avec le gril

ALIMENTS	TEMPS DE CUISSON (min)	PRÉCHAUFFER
Steack	10 - 15	-
Côtelette	15 - 25	-

Avec la cuisson comme la cuisson à convection, des problèmes de cuisson peuvent arriver pour de nombreuses raisons autre qu'un mauvais fonctionnement du four. Vérifiez le tableau ci-dessous qui répond à la plupart des problèmes communs. Etant donné que la taille, la forme et le matériel de cuisson affectent les résultats de la cuisson, la meilleure solution est de remplacer les vieux plats qui sont devenus sombres et qui se sont voilés avec le temps et leur utilisation.

PROBLÈME DE CUISSON	CAUSE
Aliment brunissant de façon hétérogène	<ul style="list-style-type: none"> - Four non préchauffé - Papier aluminium sur la grille ou au fond du four - Plat de cuisson trop grand pour la recette - Plat touchant aux autres plats ou la paroi du four
Aliment trop brun au fond	<ul style="list-style-type: none"> - Four non préchauffé - Utilisation de plat en verre, mat ou foncé - Position de grille incorrecte - Plat touchant aux autres plats ou la paroi du four
Aliment sec ou ayant excessivement rétréci	<ul style="list-style-type: none"> - Température du four trop élevée - Temps de cuisson trop long - Porte du four trop souvent ouverte - Plat trop grand
Aliment cuisant ou rôtissant trop lentement	<ul style="list-style-type: none"> - Température du four trop basse - Four non préchauffé - Porte du four trop souvent ouverte - Scellé hermétiquement avec du papier aluminium - Plat trop petit
Croûte à tarte non brunie au fond ou croûte non cuit	<ul style="list-style-type: none"> - Temps de cuisson pas assez long - Utilisation de plat en acier brillant - Position de grille incorrecte - Température du four trop basse
Gâteau pâle, plat, ou non cuit à l'intérieur	<ul style="list-style-type: none"> - Température du four trop basse - Temps de cuisson incorrect - Gâteau vérifié trop tôt - Porte du four trop souvent ouverte - Plat trop grand
Gâteau haut au centre avec craquelure sur le dessus.	<ul style="list-style-type: none"> - Température du four trop élevée - Temps de cuisson trop long - Plat touchant aux autres plats ou la paroi du four - Position de grille incorrecte - Plat trop petit
Bords de croûte de tarte trop bruns	<ul style="list-style-type: none"> - Température du four trop élevée - Bords de croûte trop minces

**AVERTISSEMENT**

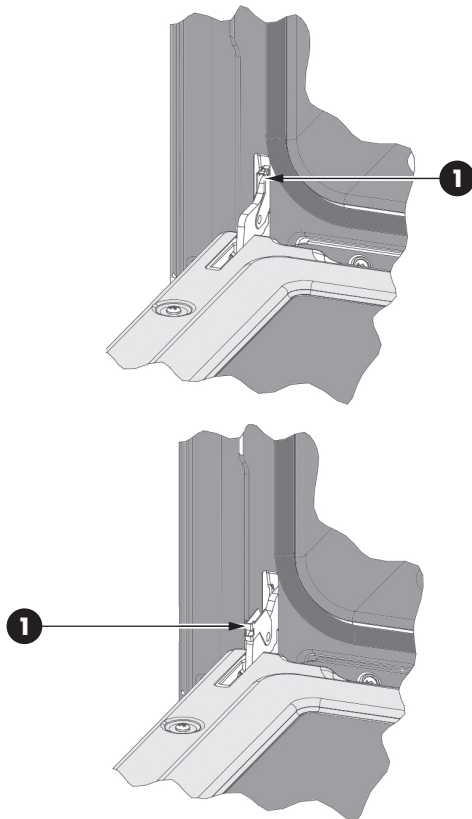
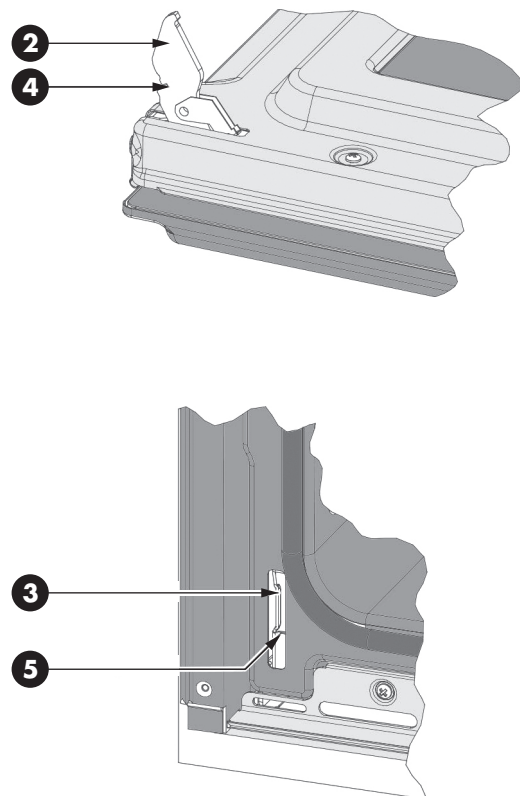
- Assurez-vous que le four est froid et qu'il est bien éteint avant d'enlever la porte sinon vous pouvez vous électrocuter ou vous brûler.
- La porte du four est lourde et fragile. Utilisez vos deux mains pour enlever la porte du four. Le devant est en verre. Le devant de la porte est un verre dont à quatre 4 cadres.
- Ne saisissez que les côtés de la porte du four.
- Ne saisissez pas la poignée car elle pourrait glisser et provoquer des dégâts ou vous blesser.
- Si vous ne tenez pas la porte du four de façon sûre et correctement, cela pourrait provoquer des dégâts ou blesser des gens.

Pour enlever la porte

1. Ouvrez la porte complètement.
2. Retournez le clip de sécurité de la charnière sur chaque charnière dans votre direction (1).
3. Tenez la porte fermement des deux côtés des deux mains et fermez-la jusqu'à ce qu'elle s'arrête au niveau de la goupille de sécurité.
4. Maintenez fermement ; la porte est lourde. Soulevez et tirez vers vous - vous devrez peut-être jouer un peu pour que les charnières se dégagent de la structure du four.
5. Placez la porte dans un endroit approprié.

Pour remettre la porte

1. Insérez les bras supérieurs (2) des deux charnières dans les fentes (3). Les enfoncements (4) doivent s'accrocher aux lèvres (5).
2. Remettez les clips de sécurité (1) en position. Si les clips de sécurité ne peuvent pas être facilement déplacés vers leur position de fonctionnement normale, c'est-à-dire si les clips se heurtent à la structure, c'est que la porte n'est pas correctement installée. Retirez les clips de sécurité et essayez de réinstaller la porte : vous la sentirez glisser légèrement lorsque les charnières s'engagent correctement dans la structure.
3. Fermez et ouvrez la porte doucement pour assurer qu'elle est correctement bien en place.

POUR ENLEVER LA PORTE**POUR REMETTRE LA PORTE**

- Chaque four est équipé de lumières halogènes situées sur les parois latérales du four.
- Les lumières s'allument lorsque la porte est ouverte ou lorsque le four est dans un cycle de cuisson.
- Chaque assemblage d'éclairage comprend une lentille amovible, une lampe à incandescence ainsi qu'une boîte de douille qui sont fixés. Voyez l'illustration de cette page.
- Le remplacement de l'ampoule est considéré comme un entretien de routine.

Pour remplacer une ampoule

1. Lisez les AVERTISSEMENTS de cette page.
2. Coupez l'alimentation à la source principale (fusible ou disjoncteur).
3. Dans les fours à convection, enlevez le couvercle du ventilateur en dévissant les quatre vis.
4. Enlevez les lentilles à changer entre la vis et le verre en utilisant un tournevis.
5. Enlevez l'ampoule de sa douille en la tirant.
6. Remplacez l'ampoule avec une nouvelle. Évitez de toucher l'ampoule avec vos doigts, car la graisse des mains peut endommager l'ampoule lorsqu'elle devient chaude.
7. Remplacez la lentille : ne serrez pas trop serrer la vis.
8. Vissez la lentille.
9. Remplacez le couvercle du ventilateur si le four en est pourvu.

Rebranchez l'alimentation principale à la source principale (fusible ou disjoncteur).



AVERTISSEMENT

- Assurez-vous que le four et que les lumières sont froides et que le four est bien éteint avant de remplacer les ampoules. Sinon vous risquez de vous électrocuter ou de vous brûler.
- Les lentilles doivent être remises en place lorsque vous utilisez le four.
- Les lentilles servent à protéger l'ampoule pour qu'elle ne se casse pas.
- Les lentilles sont en verre. Manipulez-les avec précaution pour éviter de les casser. Les verres cassés peuvent blesser.

LUMIÈRES DU FOUR

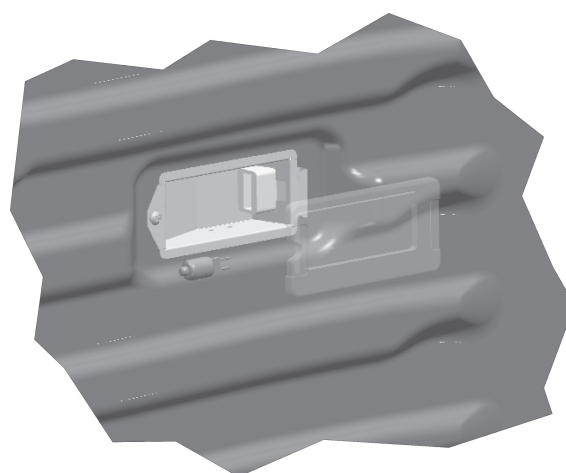
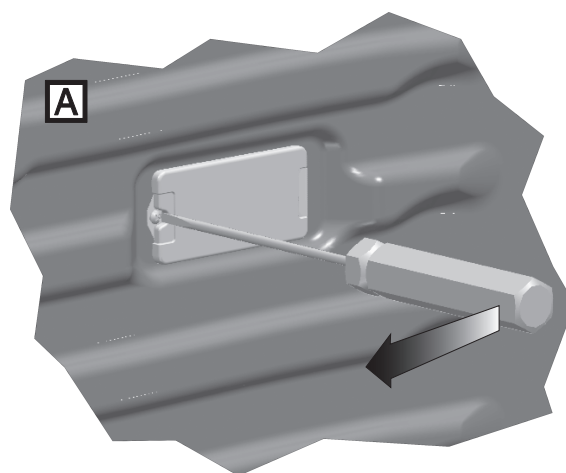
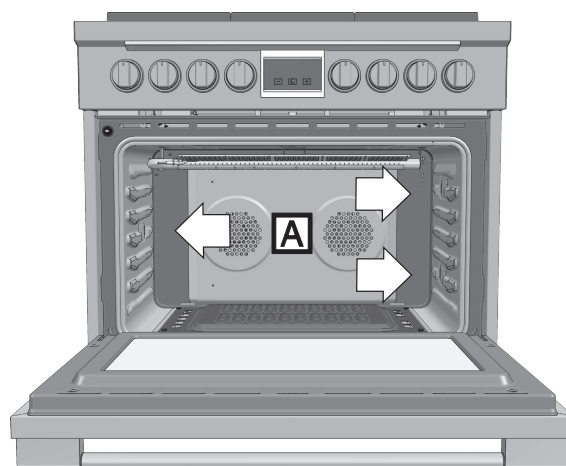
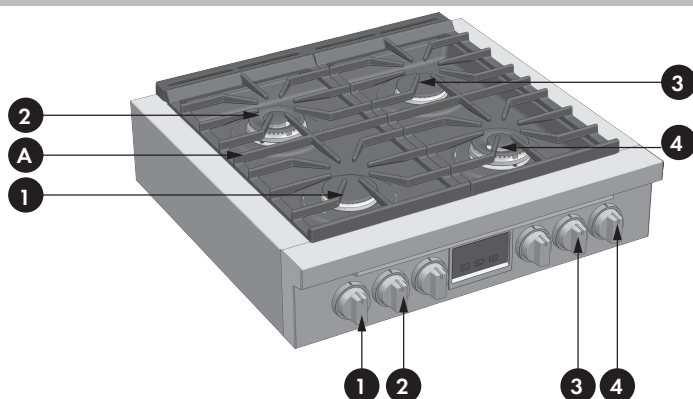
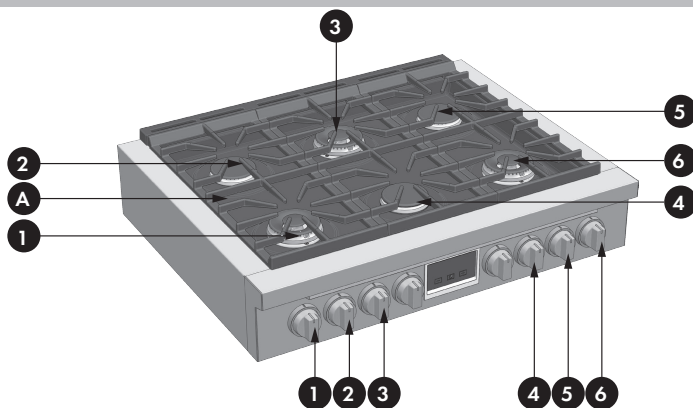


TABLE DE CUISSON DE 30"

A - Grilles

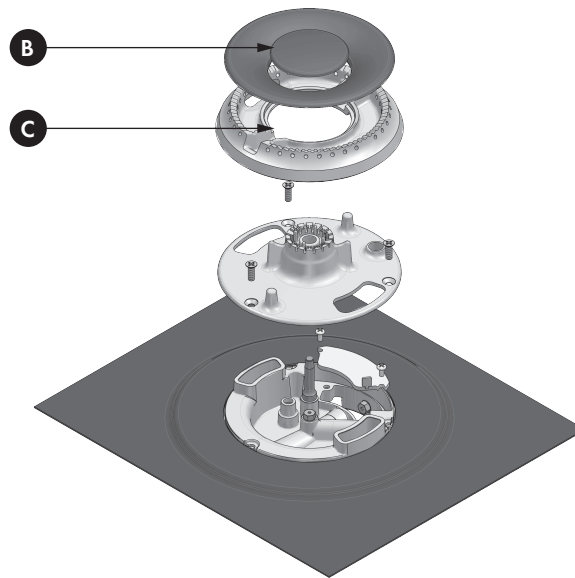
PUISSANCES NOMINALES DE SORTIE DU BRÛLEUR: BTU/HR	Gaz naturel, avec P.C. de 12,7 cm (5 po)	Gaz propane, avec P.C. de 25,5 cm (10 po)
1 COURONNE SIMPLE (Brûleur et bouton de commande)	de 2200 à 15000 Btu/h (de 645 à 4400W)	de 2200 à 12000 Btu/h (de 645 à 3500W)
2 DOUBLES COURONNES (Brûleur et bouton de commande)	de 750 à 18000 Btu/h (de 220 à 5300W)	de 750 à 15000 Btu/h (de 220 à 4400W)
3 COURONNE SIMPLE (Brûleur et bouton de commande)	de 2200 à 15000 Btu/h (de 645 à 4400W)	de 2200 à 12000 Btu/h (de 645 à 3500W)
4 DOUBLES COURONNES (Brûleur et bouton de commande)	de 750 à 18000 Btu/h (de 220 à 5300W)	de 750 à 15000 Btu/h (de 220 à 4400W)

TABLE DE CUISSON DE 36"

A - Grilles

PUISSANCES NOMINALES DE SORTIE DU BRÛLEUR: BTU/HR	Gaz naturel, avec P.C. de 12,7 cm (5 po)	Gaz propane, avec P.C. de 25,5 cm (10 po)
1 DOUBLES COURONNES (Brûleur et bouton de commande)	de 750 à 18000 Btu/h (de 220 à 5300W)	de 750 à 15000 Btu/h (de 220 à 4400W)
2 COURONNE SIMPLE (Brûleur et bouton de commande)	de 2200 à 15000 Btu/h (de 645 à 4400W)	de 2200 à 12000 Btu/h (de 645 à 3500W)
3 DOUBLES COURONNES (Brûleur et bouton de commande)	de 750 à 18000 Btu/h (de 220 à 5300W)	de 750 à 15000 Btu/h (de 220 à 4400W)
4 COURONNE SIMPLE (Brûleur et bouton de commande)	de 2200 à 15000 Btu/h (de 645 à 4400W)	de 2200 à 12000 Btu/h (de 645 à 3500W)
5 COURONNE SIMPLE (Brûleur et bouton de commande)	de 2200 à 15000 Btu/h (de 645 à 4400W)	de 2200 à 12000 Btu/h (de 645 à 3500W)
6 DOUBLES COURONNES (Brûleur et bouton de commande)	de 750 à 18000 Btu/h (de 220 à 5300W)	de 750 à 15000 Btu/h (de 220 à 4400W)

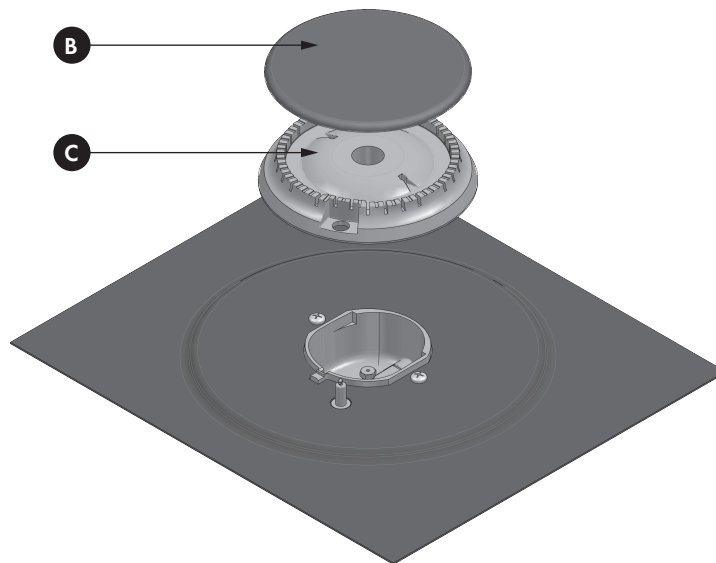
* (sur certains modèles)

BRÛLEUR



B - Brûleur coupe
C - Épandeur Gaz Brûleurs

BRÛLEUR

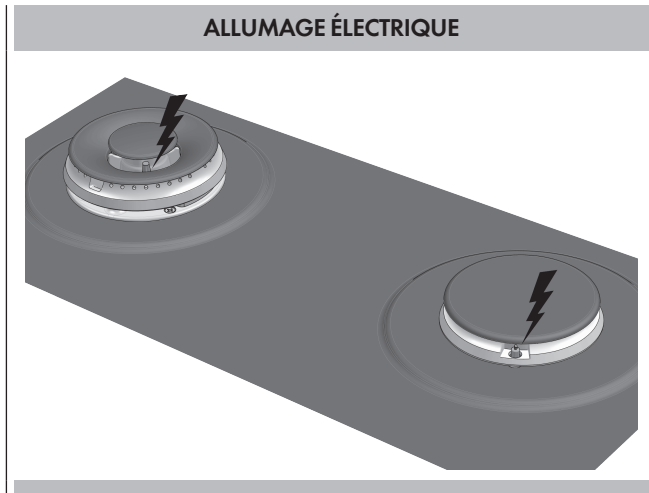


B - Brûleur coupe
C - Épandeur Gaz Brûleurs

Utilisation des Boutons de Commande

Allumage à gaz électrique

Les brûleurs à gaz utilisent un dispositif d'allumage électrique situé à proximité de chaque brûleur qui, au moyen d'étincelles, les allume automatiquement.



Le rallumage automatique électronique allume le brûleur de surface avec le bouton de contrôle correspondant tourné de façon à assurer un débit de gaz suffisant pour entretenir la flamme. Si une flamme s'éteint pour une raison quelconque, l'allumeur se déclenche automatiquement pour la rallumer.

NOTE: Cet élément est fourni comme une commodité et il n'est pas conçu comme un élément de sécurité. Si vous détectez une odeur de gaz provenant de votre côté, assurez-vous que tous les boutons sont tournés vers la position OFF. Si l'odeur persiste, coupez l'alimentation à votre niveau et inspectez les connexions.

Pour régler:

- Presser et tourner un bouton dans le sens antihoraire, un déclic indique le déclenchement de l'étincelle ; le brûleur produit alors une flamme et déclenche le rallumage automatique.



AVERTISSEMENT

- Ne faites pas fonctionner un brûleur en utilisant une casserole vide ou sans casserole sur la grille.
- Ne touchez pas le brûleur lorsque les allumeurs cliquent (étincelles) (risque d'électrocution).
- Ne laissez pas la flamme du brûleur s'étendre au-delà du bord de la casserole (risque de brûlure sur les poignées et dégâts ou brûlures éventuelles).
- Eteignez tous les contrôles lorsque vous ne cuisinez pas.

Si vous ne suivez pas ces instructions, vous risquez de vous blesser ou de provoquer un incendie.

Brûleurs avec deux anneaux de flamme

Ces brûleurs ont deux anneaux de flamme distincts pour fournir une régulation complète de la chaleur de la puissance élevée à mijoter.

1. Poussez et tournez le bouton dans le sens inverse des aiguilles d'une montre sur HI-LO (fort-doux) de la flamme principale, lorsque le brûleur est allumé, la flamme principale et la flamme de cuisson douce vont s'allumer toutes les deux et le rester.
2. Régler la température désirée sur HI-LO (fort-doux).

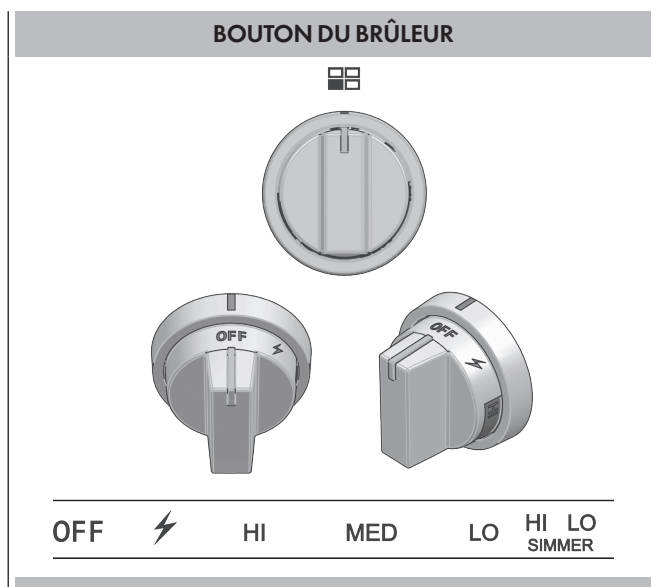
Remarque : Le bouton est prévu pour s'arrêter à une valeur moyenne (MED). Pour continuer jusqu'à la valeur basse et/ou mijotage (LO/Simmer), pressez le bouton tout en continuant à le tourner dans le sens antihoraire. Cette méthode n'est pas utile pour passer de LO/Simmer à OFF.

Réglage de cuisson douce

Continuez à tourner dans le sens inverse des aiguilles d'une montre le bouton sur la position de cuisson douce HI-LO (fort-doux). L'anneau extérieur de la flamme s'éteindra et il est possible de régler la température en utilisant seulement la flamme centrale.

Arrêt du brûleur

Tournez le bouton dans le sens des aiguilles d'une montre aussi loin que possible sur la position off (éteint). Assurez-vous que la flamme s'éteint complètement.



Flammes des Brûleur

Allumez chacun des brûleurs. Les flammes doivent être bleues sans trace de jaune. Les bouts de flammes peuvent parfois s'allumer en jaune, ce qui est normal. Les flammes jaunes indiquent un faible apport en oxygène qui peut se produire à des altitudes plus élevées. Certaines régions en haute altitude ajoutent de l'oxygène à l'approvisionnement en gaz naturel pour compenser. Les flammes du brûleur ne doivent pas exploser ou éteindre le brûleur. Le cône intérieur de la flamme doit avoir une longueur entre 1/2" et 3/4" long.

Remarque : • La présence de matériaux étrangers dans le tuyau de gaz, en particulier dans les nouvelles constructions, peut provoquer l'apparition d'une flamme orange pendant les opérations initiales. La couleur orange disparaîtra lors des utilisations suivantes. Les pointes jaunes sont normales dans les flammes produites avec du gaz de pétrole liquéfié.

- If the flame is not even around the edge of the burner, wait for the cooktop to cool and check to make sure the burner is assembled properly and the burner caps are seated correctly.

Brûleurs de Surface Étanches



IMPORTANT

Ne pas obstruer le flux de l'air de combustion et de ventilation autour des bords de la grille du brûleur.

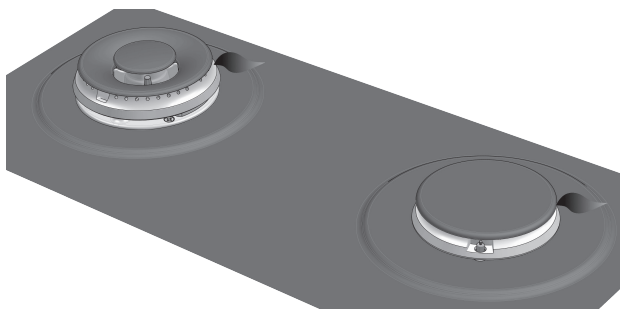
Chapeau du brûleur et diffuseur de gaz

Maintenez toujours le chapeau du brûleur et le diffuseur de gaz en place lorsque vous utilisez un brûleur de surface. Ces deux éléments doivent toujours être propres si vous voulez pouvoir allumer facilement et avoir une flamme constante. Bien nettoyer ces éléments après chaque débordement et effectuer un nettoyage périodique selon la section «Nettoyage général».

Base du brûleur et injecteur

Pour allumer correctement, le gaz doit circuler librement à travers l'orifice de l'injecteur. Maintenez cette zone propre sans restes alimentaires et veillez à ce que ni des restes, ni des détergents ou autres matériaux n'obstruent l'ouverture de l'orifice. Le protéger durant le nettoyage.

FLAMMES DES BRÛLEUR



Avant d'allumer le brûleur, vous assurer que:

- Le diffuseur de gaz est installé correctement et le pivot est bien aligné avec la rainure de la base du brûleur.
- Le chapeau est installé correctement et le pivot est bien aligné avec la rainure du diffuseur de gaz.

Orifices du brûleur

Contrôlez périodiquement les flammes du brûleur. La couleur d'une flamme normale est bleue et non pas jaune. Maintenez cette zone propre sans restes alimentaires et veillez à ce que ni des restes, ni des détergents ou autres matériaux n'obstruent les orifices du brûleur.

Comment nettoyer le brûleur à gaz:

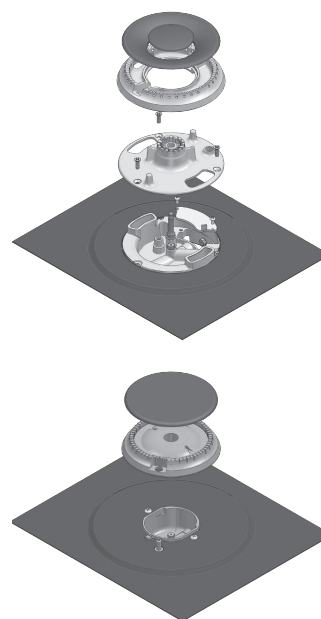


IMPORTANT

Avant de nettoyer, bien vérifier que tous les boutons de commande sont éteints et que la table de cuisson est froide.

1. Enlevez le chapeau du brûleur de la base du brûleur et nettoyez en suivant les instructions de la section de nettoyage.
2. Enlevez le diffuseur du brûleur. Nettoyez l'ouverture du tuyau de gaz ainsi que la rainure du brûleur en suivant les instructions de la section de nettoyage.
3. Nettoyez la base du brûleur avec un chiffon humide. Il est important que l'orifice de l'injecteur ne s'obstrue pas avec des produits détergent ou autres.
4. Remettez en place le diffuseur et le chapeau du brûleur en veillant à ce que les pivots soient bien dans l'alignement des rainures.
5. Allumez le brûleur. S'il ne s'allume pas, vérifiez que le chapeau et le diffuseur sont bien alignés. Si le brûleur ne devrait toujours pas s'allumer, ne pas effectuer la réparation vous-même mais contactez un réparateur spécialisé.

VUE ÉCLATÉE DU BRÛLEUR



IMPORTANT: Ne jamais laisser des casseroles vides cuire sur une surface de cuisson chaude ou sur un brûleur chaud.

Le récipient idéal pour cuisiner a une base plate, des bords droits et un couvercle qui ferme hermétiquement. Il doit avoir une épaisseur de moyenne à large. Des finitions rugueuses peuvent rayer la table de cuisson. Les récipients de cuisine peuvent être en aluminium ou en cuivre, cependant si leur base est en aluminium ou en cuivre, ils peuvent laisser des marques indélébiles sur la table de cuisson ou sur les grilles. Selon le matériau du récipient, la chaleur se transmet plus ou moins vite et de manière plus ou moins égale ce qui évidemment affecte les résultats de cuisson. Une finition anti-adhérente a les mêmes caractéristiques que le matériau de la base. Par exemple, un récipient en aluminium avec une finition anti-adhérente prendra les propriétés de l'aluminium. Consultez la liste suivante pour reconnaître les caractéristiques de chaque type de matériau.

Caractéristiques des Matériaux

Aluminium:

chauffe rapidement et de façon uniforme. Convient à tous les types de cuisine. Une épaisseur moyenne à large est parfaite pour la plupart des tâches de cuisson.

Fer forgé:

chauffe lentement et de manière uniforme. Idéal pour dorer et frire, il maintient bien la chaleur pour les plats devant cuire à feu lent.

Céramique ou vitrocéramique:

suivre les instructions du fabricant.

Chauffe lentement mais de manière irrégulière. Donne les meilleurs résultats à des températures basses ou moyennes.

Cuivre:

chauffe très rapidement et de manière uniforme.

Faïence:

suivre les instructions du fabricant. L'utiliser sur feu bas.

Porcelaine émaillée sur acier ou acier inoxydable:

voir acier inoxydable ou fer forgé.

Acier inoxydable:

chauffe rapidement mais de manière inégale.

La base ou le noyau en aluminium sur de l'acier inoxydable permet un réchauffement uniforme.

Le Diamètre de la Casserole Doit Correspondre au Diamètre de la Flamme

La flamme devrait avoir le même diamètre (ou un petit peu moins) que la base du récipient. Ne pas utiliser des petits récipients sur une flamme haute car les flammes pourraient brûler les côtés du récipient. Des récipients hors-mesure qui occupent deux brûleurs, doivent être placés de l'avant vers l'arrière et non pas sur deux brûleurs côte à côte.

Utiliser des récipients équilibrés

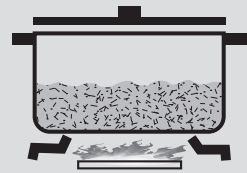
Les casseroles doivent être stables sur les grilles de la table de cuisson, elles ne doivent pas osciller. Centrer le récipient sur le brûleur.

Utiliser un couvercle qui s'adapte parfaitement sur le récipient

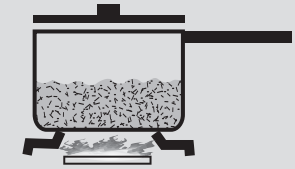
Un couvercle qui ferme hermétiquement signifie une durée de cuisson plus courte. Des casseroles à la base plate et lourde fournissent une chaleur uniforme et stable.



AVERTISSEMENT



RECIPIENT EQUILIBRE



CONCAVE (HOLLOW)



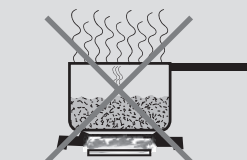
CONVEX (ROUNDED)



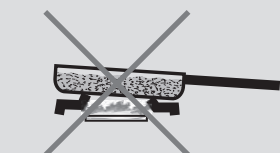
NE PAS UTILISER PETITS RECIPIENTS SUR FLAMME HAUTE



UTILISER COUVERCLE QUI S'ADAPTE PARFAITEMENT



RECIPIENT NE PAS EQUILIBRE



Comment utiliser le tableau de nettoyage du four

1. Repérez le chiffre de la partie à nettoyer dans l'illustration de cette page.
2. Trouvez le nom de cette partie dans le tableau.
 - Utilisez la méthode de nettoyage dans la colonne de gauche si le four est noir ou blanc.
 - Utilisez la méthode de nettoyage dans la colonne de droite si le four est en acier inoxydable.
3. Faites concorder le chiffre avec la méthode de nettoyage de la page suivante.

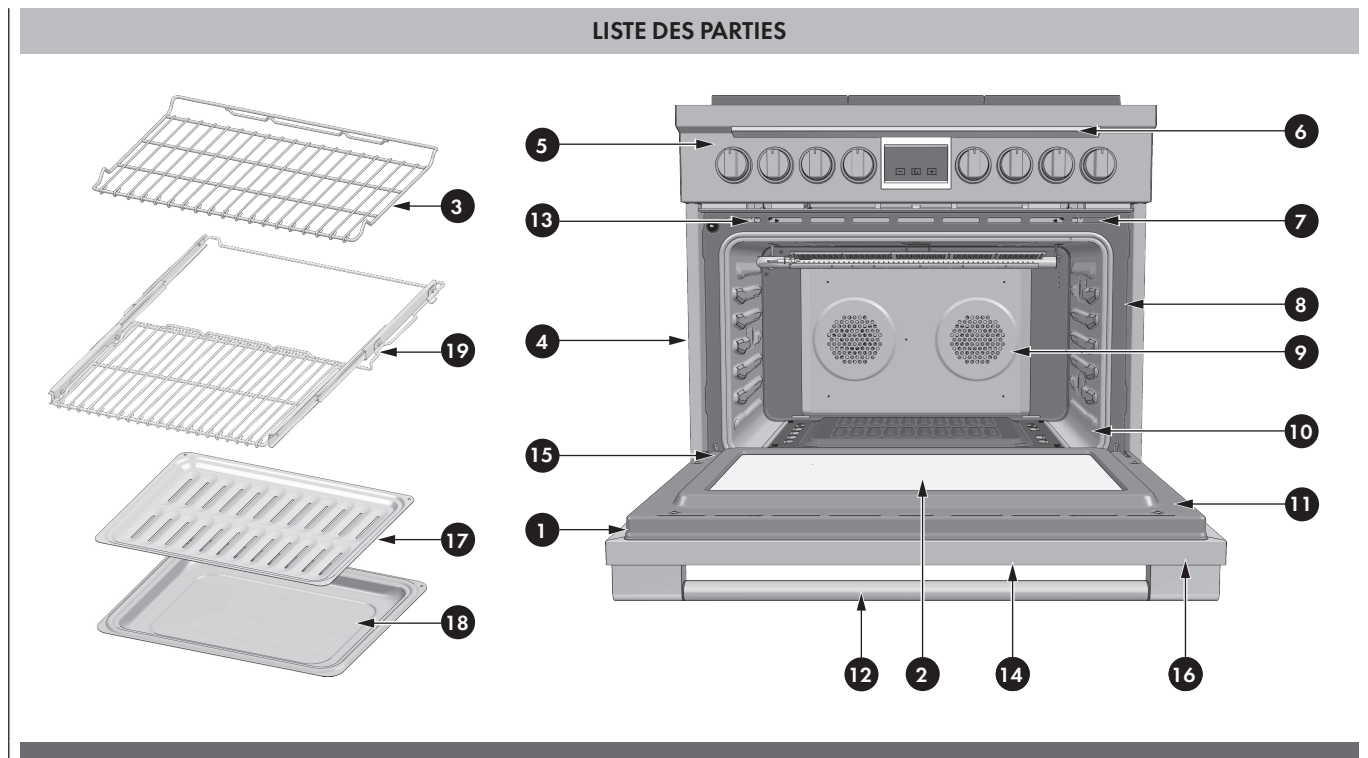


Tableau de Nettoyage							
Pièce		Méthode de nettoyage		Pièce		Méthode de nettoyage	
		Émaillés	Acier inoxydable			Émaillés	Acier inoxydable
1	Cadre de porte	D	G	11	Porte de four intérieure	E	E
2	Fenêtre de porte intérieure	F	F	12	Poignée de porte	G	G
3	Grilles de four démontable	A or E	A or E	13	Ouvertures de refroidissement de la porte	E	E
4	Habillage latérale	G	G	14	Porte avant	C&D	C&G
5	Habillage du tableau de commande	G	G	15	Habillage du four	D	D
6	Tableau de commande	D	G	16	End Caps	D	G
7	Ouvertures de refroidissement du four	D	D	17	Grille de plat de gril	E	E
8	Cadre avant du four	E	E	18	Arrière de plat de gril	E	E
9	Cavité du four	E	E	19	Grille rallonge	A	A
10	Joint de maille	B	B				

Le four entier peut être nettoyé de façon sûre avec une éponge savonneuse, puis rincé et séché. Si des résidus excédentaires ne partent pas, suivez les méthodes de nettoyage ci-dessous.

- Utilisez toujours le chiffon le plus doux possible.
- Frottez les finitions en métal dans la direction du grain.
- Utilisez des chiffons, des éponges ou des tissus en papier doux et propres.
- Rincez le tout avec un minimum d'eau pour qu'elle ne coule pas dans les fentes de la porte.
- Essuyez pour éviter les traces d'eau.

Les nettoyeurs dans la liste ci-dessous indiquent les types de produits à utiliser ne sont qu'à titre indicatif. Utilisez tous les produits selon les indications de l'emballage.

Pièce		Méthode de nettoyage
A	Chromé	Lavez avec de l'eau chaude savonneuse. Rincez et séchez soigneusement. Ou, frottez légèrement avec du Soft Scrub®, Bon-Ami®, Comet®, Ajax®, Brillo®, ou les chiffons S.O.S.®. Les nettoyeurs Easy Off® ou Dow Oven Cleaners® (formule four froid) peuvent être utilisés, mais ils peuvent noircir ou décolorer le chromé. Les grilles peuvent être nettoyées dans le four pendant l'auto-nettoyage. Cependant, elles vont perdre leur brillant et devenir grises de façon permanente.
B	Tressage en fibre de verre	NE NETTOYEZ PAS LE JOINT A LA MAIN.
C	Verre	Vaporisez du Windex® ou du Glass Plus® d'abord sur le chiffon, ensuite essuyez pour nettoyer. Utilisez du Fantastik® ou du Formula 409® pour enlever les éclaboussures de graisse.
D	Peint	Nettoyez avec une eau savonneuse ou appliquez du Fantastik® ou du Formula 409® d'abord sur une éponge propre ou sur des feuilles en papier et essuyez pour nettoyer. Evitez d'utiliser des nettoyeurs en poudre ou des tampons métalliques à récurer.
E	Porcelaine	Essuyez immédiatement les éclaboussures acides comme les jus de fruit, le lait, les tomates avec un chiffon sec. N'utilisez pas d'éponge/chiffon humide sur de la porcelaine chaude. Lorsqu'elle est froide, nettoyez avec de l'eau chaude savonneuse ou appliquez du Soft Scrub® ou du Bon-Ami® sur une éponge humide. Rincez et séchez. Pour les tâches récalcitrantes, utilisez doucement du Brillo®, ou les chiffons S.O.S.®. Il est normal que la porcelaine se craquèle très légèrement (de fines lignes) avec l'âge à cause des expositions à la chaleur et aux résidus alimentaires.
F	Verre réfléchissant	Nettoyez avec de l'eau chaude savonneuse ou un nettoyeur en plastique. Frottez vigoureusement avec du vinaigre, du Windex®, de l'ammoniac, ou du Bon-Ami®. N'UTILISEZ PAS D'ABRASIFS FORTS.
G	Acier inoxydable	Essuyez toujours avec un chiffon ou un nettoyeur avec grain. Nettoyez avec une éponge savonneuse ensuite rincez et séchez. Ou essuyez avec du Fantastik® ou du Formula 409® vaporisé sur des feuilles en papier. Protégez ou polissez avec du Stainless Steel Magic® et un chiffon doux. Enlevez les taches d'eau avec un chiffon imbibé de vinaigre blanc. Utilisez du Zud®, Cameo®, Bar Keeper's Friend® ou RevereWare Steel Cleaner®, pour enlever la décoloration due à la chaleur.

Vous pouvez en toute sûreté nettoyer la table de cuisson à l'aide d'une éponge humide et savonneuse, puis la rincer et l'essuyer. Dans le cas de taches tenaces, suivez les méthodes de nettoyage recommandées ci-dessous.

ATTENTION

- Avant de commencer à nettoyer, vous assurer que les brûleurs sont bien éteints et que les grilles sont froides.
- Parmi les détergents adaptés, toujours choisir le plus doux. Utilisez des chiffons doux, des éponges ou des serviettes en papier propres.
- Frottez les finitions de l'acier inoxydable dans le sens du grain. Bien sécher afin d'éviter les taches d'eau.
- Ne jamais nettoyer les pièces amovibles de la table de cuisson dans un four autonettoyant.
- Après avoir fini de nettoyer et avant d'utiliser à nouveau la table de cuisson, remettez les pièces à leur place.

Les produits d'entretien conseillés ci-dessous et à la page suivante indiquent le type de détergents et ne constituent en aucune façon une forme de publicité d'une marque en particulier. Lisez les instructions d'emploi de chaque produit avant de l'utiliser.

NETTOYAGE DE LA TABLE DE CUISSON

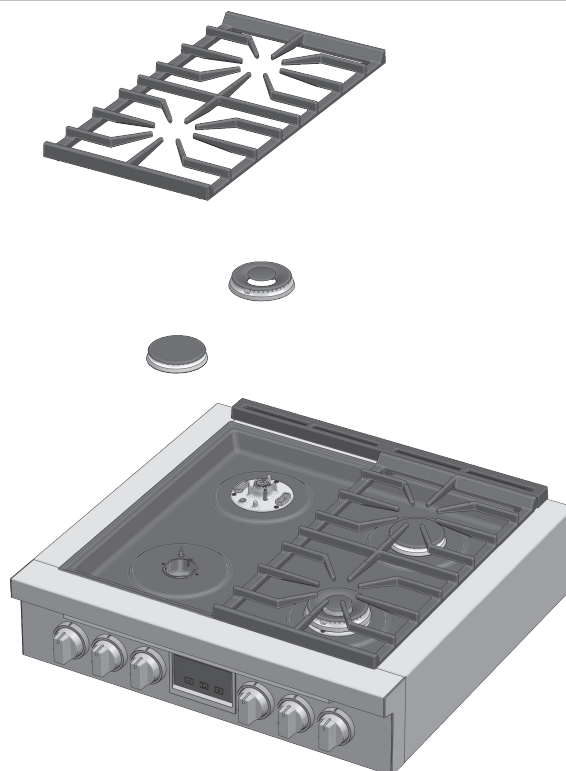


Table de Cuisson / Produits d'Entretien Conseillés

Pièces et matériaux	Produits conseillés	Suggestions/rappels
Base du brûleur (alliage aluminium)	Chiffon humide.	Maintenez l'injecteur de gaz propre et empêchez les produits nettoyants ou d'autres matériaux d'entrer dans l'orifice de l'injecteur.
Diffuseur de flamme (alliage aluminium)	Détergent et eau chaude: rincez et séchez. Brosse à dent nylon à poils durs pour nettoyer les orifices. Produits nettoyants abrasifs: revere ware® metal polish. Suivre les instructions sur la boîte. Utilisez Brillo® ou des tampons S.O.S.®. Rincer et sécher.	Frottez doucement en un mouvement circulaire. Des produits nettoyants pour aluminium peuvent dépolir la surface. Pour nettoyer l'orifice du diffuseur, utilisez une brosse à dent ou une agrafe ouverte.
Diffuseur de flamme (Laiton)	Lavez-les à l'eau chaude et savonneuse, rincez et séchez. Utilisez une brosse de nylon aux soies raides ou un trombone à bout droit pour nettoyer les encoches du diffuseur de flamme.	Frottez doucement en un mouvement circulaire. Des produits nettoyants pour laiton peuvent dépolir la surface. Pour nettoyer l'orifice du diffuseur, utilisez une brosse à dent ou une agrafe ouverte.

Pièces et matériaux	Produits conseillés	Suggestions/rappels
Chapeau du brûleur et grille (porcelaine émaillée sur fer forgé)	Produits nettoyants non-abrasifs: eau chaude et détergent, Fantastic, Formula 409. Rincez et séchez immédiatement. Produits nettoyants doux: Bon Ami® et Soft Scrub®. Produits nettoyants abrasifs pour taches rebelles: paillettes métalliques imbibées de savon.	Les grilles sont lourdes: les soulever avec précaution, les placer sur une surface protégée. Il est normal de trouver boursouflures/craquelures/ éclats étant donné les températures extrêmes sur les tiges de la grille et les rapides changements de température. Des débordements de substances acides ou sucrées peuvent détériorer l'émail. Nettoyez tout de suite. Des produits nettoyants abrasifs, si utilisés trop souvent ou trop vigoureusement peuvent à la longue endommager l'émail.
Finition externe (porcelaine émaillée)	Eau chaude savonneuse. Rincez et bien essuyez. Produits nettoyants non-abrasifs: ammoniacque, Fantastic®, Formula 409®. Produits nettoyants abrasifs doux: Bon Ami®, Ajax® et Comet®. Produits nettoyants liquides: Kleen King®, Soft Scrub®.	Les débordements de substances acides ou sucrées endommagent l'émail. Nettoyez immédiatement. Ne pas utiliser une éponge ou un chiffon mouillé sur la porcelaine chaude. Quand vous utilisez des produits abrasifs, toujours les appliquer en exerçant une pression minimum.
Boutons de commande (acier inoxydable)	Eau chaude savonneuse. Rincez et essuyez tout de suite. Si nécessaire, retirez les boutons (tirer vers le haut).	Ne pas faire tremper les boutons. Ne pas utiliser des produits pour nettoyer ou frotter qui sont abrasifs. Ne pas remettre les boutons en forçant sur le pivot de la soupape. Pour extraire les boutons du panneau de commande, les tirer droit vers soi. Lorsque vous remettez les boutons, vous assurer qu'ils sont en position OFF. Ne pas enlever le tampon d'étanchéité sous les boutons.
Finition externe (acier inoxydable)	Produits nettoyants non-abrasifs: eau chaude et détergent, Fantastic®, Formula 409. Rincez et essuyez tout de suite. Crème nettoyante Stainless Steel Magic ® pour protéger la finition contre les taches et les marques et rehausser l'aspect. Taches d'eau rebelles: vinaigre blanc de cuisine. Produits nettoyants abrasifs doux: Kleen King® stainless steel liquid cleaner, Cameo® aluminium & stainless steel, Bon Ami®. Contre la décoloration due à la chaleur: Bar Keepers Friend®.	L'acier inoxydable résiste à la plupart des taches et des marques aussi longtemps que vous nettoyez bien et protégez la surface. Ne jamais laisser des taches d'aliments ou de sel sur l'acier inoxydable, même un court instant. Frottez légèrement dans le sens de la finition. Le chlore ou certains composants de chlore dans les détergents sont corrosifs pour l'acier inoxydable. Avant d'utiliser un détergent, vérifiez sa composition sur l'étiquette. Appliquez les produits nettoyants abrasifs avec le minimum de pression possible, particulièrement sur les lignes dessinées.
Allumeurs (céramique)	Nettoyez avec précaution à l'aide d'un bout de coton humidifié avec de l'eau, de l'ammoniacque ou Formula 409®. Enlevez la saleté en frottant doucement avec un cure-dent.	Évitez d'utiliser trop d'eau sur l'allumeur. Un allumeur humide empêchera le brûleur de s'allumer. Enlevez tout reste de tissu qui serait resté accroché après le nettoyage.

Avant d'appeler un dépannage, vérifiez ce qui suit pour éviter des charges de dépannage non nécessaires.

PROBLÈME	SOLUTION DES PROBLÈMES PAR ÉTAPE
Le display du four ne s'éteint pas	Coupez l'alimentation à la source principale (fusible ou disjoncteur). Remettez le disjoncteur. Si le problème persiste, téléphonez au centre de service agréé.
Ventilateur de refroidissement continuant à fonctionner une fois le four éteint	Le ventilateur s'éteint automatiquement lorsque les composants électroniques sont suffisamment froids.
L'éclairage du four ne fonctionne pas correctement	Remplacez ou réinsérez l'ampoule si elle est desserrée ou en panne. Voyez Page 17. Ne touchez pas l'ampoule avec vos doigts car cela peut la faire griller.
L'éclairage du four ne s'éteint pas	Vérifiez si rien n'obstrue la port du four. Vérifiez si la charnière n'est pas pliée ou que le loquet n'est pas verrouillé. Assurez-vous également que la manette est tournée sur la position 'OFF'.
Impossibilité d'enlever le couvercle de la lentille du four	Il se peut qu'il y ait une accumulation de saleté autour du couvercle de la lentille. Essuyez-le avec un chiffon sec et propre avant d'essayer d'enlever le couvercle de la lentille
Humidité excessive	Lorsque vous utilisez le mode cuisson , préchauffez d'abord le four. La cuisson à convection et le rôtissage à convection éliminent l'humidité du four (c'est un des avantages de la convection).
Eclats de porcelaine	Lorsque vous enlevez et remplacez les grilles, inclinez-les toujours vers le haut et ne forcez pas pour éviter les éclats de porcelaine.
L'allumage ne fonctionne pas	
Le câble électrique est-il bien branché?	Branchez l'appareil à une prise à 3 fils reliée à la terre.
Est-ce un fusible ou le disjoncteur différentiel qui a sauté?	Remplacez le fusible ou ré-enclencher le disjoncteur.
Les brûleurs de surface ne fonctionnent pas	
Est-ce la première fois que les brûleurs sont utilisés?	Allumez n'importe quel brûleur de surface afin de libérer l'air dans les conduites de gaz.
Le bouton de commande est-il sur la bonne position?	Enfoncez le bouton avant de le tourner vers la position désirée.
Les orifices du brûleur sont-ils obstrués?	Lire la section "Brûleurs de surface étanches".
Les flammes des brûleurs sont inégales, jaunes et/ou font du bruit	
Les orifices des brûleurs sont-ils obstrués?	Lire la section " Brûleurs de surface étanches".
Les chapeaux des brûleurs sont-ils bien en place?	Lire la section "Brûleurs de surface étanches".
Vous utilisez du gaz propane?	L'appareil a peut-être été mal converti. Contactez un technicien d'entretien.
Les brûleurs font un bruit sec	
Le brûleur est-il humide?	Le laisser sécher.
Le chapeau et le diffuseur de gaz sont-ils bien en place?	Assurez-vous que les pivots sont bien alignés et lisez la section "Brûleurs de surface étanches".

PROBLÈME	SOLUTION DES PROBLÈMES PAR ÉTAPE
Chaleur excessive autour des récipients utilisés	
Le récipient a-t-il la bonne taille?	Utilisez un récipient qui ait plus ou moins le même diamètre que celui de l'aire de cuisson, de l'élément ou du brûleur de surface. Les récipients ne devraient pas dépasser de plus de 1 in. (2,5 cm) l'aire de cuisson.
Les résultats de cuisson ne sont pas ceux escomptés	
Utilisez-vous le bon récipient?	Lire la section "Batterie de cuisine".
Avez-vous mis le bouton sur la position correcte?	Lire la section "Utilisation des boutons de commande".

Avant d'appeler l'assistance ou le service après-vente, veuillez bien vérifier la section « Solution aux problèmes ». Ceci peut vous faire économiser le coût d'un appel à un centre de service. Si vous avez cependant besoin d'aide, suivre les indications cidessous. Lorsque vous appelez, soyez prêt à indiquer la date d'achat, le modèle complet ainsi que le numéro de série de votre appareil. Ces informations nous permettront de mieux répondre à vos questions.

Données de Service

Pour un centre de service autorisé ou de l'information sur les pièces, voir le paragraphe "GARANTIE pour l'électroménager".

Pour l'emplacement de du numéro de série voir Page 6. Notez cette information dans l'espace prévu à cet effet cidessous. Gardez votre facture pour la validation de votre garantie.

Service Data Record

Numéro de modèle _____

Numéro de série _____

Date d'installation ou Occupancy _____

Preste la debida atención a los siguientes símbolos que encontrará en el manual.



ADVERTENCIA

- Este es el símbolo de los avisos relacionados con la seguridad: alerta sobre potenciales peligros que pueden derivar en muerte o daños a las personas.
- Si no sigue estas instrucciones, puede correr peligro de muerte o de resultar gravemente herido.

LEA Y CONSERVE ESTAS INSTRUCCIONES.



ADVERTENCIA

Si no se siguen exactamente las instrucciones de esta guía, se puede ocasionar un incendio o explosión que dé como resultado daños materiales, lesiones personales o la muerte.

- **NO** almacene ni use gasolina u otros vapores y líquidos inflamables cerca de esta unidad o de cualquier otro electrodoméstico.
- **QUÉ HACER SI PERCIBE OLOR A GAS:**
 - **NO** intente encender ningún electrodoméstico.
 - **NO** toque ningún interruptor eléctrico.
 - **NO** use ningún teléfono dentro del edificio.
 - **Llame inmediatamente al proveedor de gas desde el teléfono de su vecino. Siga las instrucciones del proveedor de gas.**
 - **Si no se puede comunicar con el proveedor de gas, llame al departamento de bomberos.**
- **Un instalador calificado, una agencia de servicio o el proveedor de gas debe realizar la instalación y el servicio.**

IMPORTANTE: Guarde estas instrucciones para el uso del inspector eléctrico local.

INSTALADOR: Por favor, deje este manual a propietario para futuras consultas.

PROPIETARIO: Por favor, conserve este manual para futuras consultas.



ADVERTENCIA

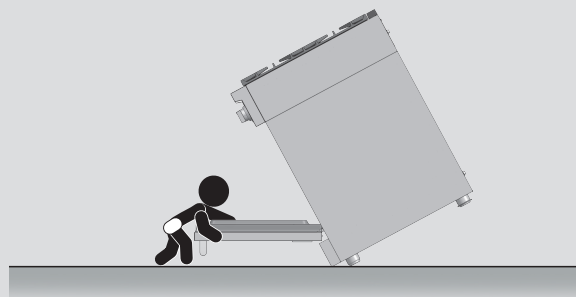
Peligro de vuelco

El vuelco de la cocina es un riesgo para todos, niños y adultos, que puede llegar a provocar la muerte.

Cuando se desplace la cocina, comprobar que el taco anti-vuelco está acoplado.

No dejar que la cocina funcione sin el taco anti-vuelco instalado y acoplado.

El no respeto de estas instrucciones puede provocar quemaduras graves o incluso la muerte para todos, niños y adultos.



Para comprobar que el taco anti-vuelco está instalado y acoplado:

- Deslice la cocina hacia delante.
- Compruebe si el taco anti-vuelco está fijado firmemente al suelo o a la pared.
- Deslice la cocina hacia atrás de tal manera que la pata trasera se encuentre debajo del taco anti-vuelco.
- Para más detalles, consulte las instrucciones de instalación.

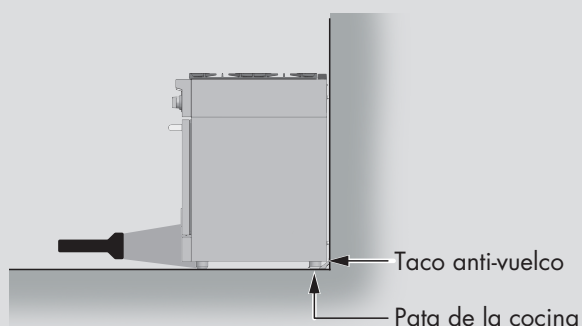


TABLA DE MATERIAS	Página
1 - Precauciones de Seguridad	3
2 - Instrucciones de Seguridad	5
Advertencias para Instalación de Gas y Eléctrica	5
3 - Características de su Horno	6
3 - Paneles de Control	8
Control	8
Botones	8
Indicadores luminosos	8
5 - Generalidades del Horno	9
6 - Consejos Generales para el Horno	10
Rejillas del horno	10
La rejilla extensible	11
7 - Configurar el Reloj y el Temporizador	12
Timer Mecánico	12
Timer touch control	12
8 - Selección de los Modos del Horno	13
9 - Consejos y Técnicas de Horneado	14
10 - Resolución de los Problemas de Horneado	15
11 - Operaciones de Mantenimiento que Puede Hacer Usted Mismo Quitar la Puerta del Horno	16
Para quitar la puerta	16
Para volver a colocar la puerta	16
12 - Cambiar una Lámpara del Horno	17
Para remplazar la bombilla	17
13 - Características de su Placa de Cocción	18

TABLA DE MATERIAS	Página
14 - Funcionamiento de la Placa de Cocción	20
Uso de los Mandos	20
Quemadores de gas	20
Quemadores con llamas de dos coronas	20
Quemadores de Superficie Bien Sellados	21
15 - Recipientes de Cocina	22
Características de los Materiales	22
Adecue el Diámetro de la Llama al del Recipiente	22
16 - Cuidado General del Horno	23
Cómo usar la tabla de la limpieza del horno	23
Gráfico limpieza	23
17 - Acabados del Horno / Métodos de Limpieza	24
18 - Limpieza de la Placa de Cocción	25
Placa de Cocción / Productos de Limpieza	25
Aconsejados	25
19 - Resolución de los Problemas de Funcionamiento	27
20 - Servicio de Asistencia Técnica	28



INSTRUCCIONES IMPORTANTES

Por favor, lea todas las instrucciones antes de utilizar este aparato.



ADVERTENCIA

Su nuevo cocinas se ha diseñado para ser un aparato seguro y fiable si se usa de la manera apropiada. **Lea atentamente todas las instrucciones antes de utilizar este aparato. Estas precauciones reducirán los riesgos de sufrir quemaduras, descargas eléctricas, fuego y lesiones. Cuando se utilizan aparatos de cocina es preciso seguir algunas precauciones básicas de seguridad, incluyendo las siguientes:**

Un técnico cualificado tiene que instalar correctamente este aparato y realizar una buena puesta a tierra. Conecte solo a una puesta a tierra apropiada. Vea las instrucciones de Conexión de puesta a tierra que se encuentran en las Instrucciones de Instalación.

- Solo un técnico calificado debe dar el servicio a este aparato. Póngase en contacto con el centro de servicio autorizado más cercano para la inspección, reparación y ajustes.
- No repare o reemplace ninguna parte del aparato a menos que le haya sido recomendado específicamente. Solicite el servicio de un centro autorizado.
- No utilice esta unidad si no funciona bien o si está dañada hasta que un técnico del servicio autorizado la haya inspeccionado.
- Instale o coloque este aparato de acuerdo con las instrucciones de instalación.
- Use este cocinas solo para lo que lo ha concebido su fabricante. Si tiene alguna duda, contacte con él
- No cubra ni bloquee las aberturas de este aparato.
- Use este aparato solo el uso para el que ha sido concebido como se describe en este manual. No use productos químicos corrosivos, vapores, productos inflamables o no alimenticios en este aparato. Este tipo de horno ha sido diseñado específicamente para calentar o cocinar alimentos. No está diseñado para uso industrial o de laboratorio. El uso de productos químicos corrosivos cuando calienta o limpia el horno dañará el aparato.
- En el caso de encenderse la ropa o el cabello, **ÉCHESE AL PISO y DESE VUELTAS DE INMEDIATO** para apagar las llamas.



ADVERTENCIA

- Si el aceite en el que está cocinando prende fuego, puede **EXTINGUIR LAS LLAMAS** con una tapa que encaje bien con la sartén y la cubra por completo, o bien con una bandeja de horno o algún tipo de bandeja de metal. Después, apague el quemador.
- **SI TIENE CUIDADO, EVITARÁ QUEMADURAS.**
- Si las llamas no se apagan inmediatamente, **SALGA DE LA HABITACIÓN Y LLAME A LOS BOMBEROS.**
- No utilice agua, ni trapos o toallas húmedos para apagar un fuego provocado por aceite. Podría provocar una violenta explosión.
- **NUNCA COJA UNA SARTÉN EN LLAMAS:** podría quemarse.
- Tenga **SIEMPRE** un **DETECTOR DE INCENDIOS** que funcione correctamente cerca de la cocina.
- **DEJE SIEMPRE LA CAMPANA EXTRACTORA DE HUMOS ENCENDIDA** cuando flambee alimentos.
- No taponar los flujos de aire en combustión a nivel de la apertura de ventilación del horno ni debajo de panel frontal inferior de la cocina. Evitar tocar las aperturas de ventilación o las superficies cercanas ya que estas superficies podrían calentarse mientras que el horno está funcionando. Es indispensable que haya un aire fresco para una buena combustión en el quemador.
- **NUNCA** tape ninguna ranura, orificio o abertura del horno o forre una rejilla completa con papel de aluminio. De lo contrario puede bloquear el flujo de aire en el horno y causar envenenamiento por monóxido de carbono. Forros con papel de aluminio pueden atrapar el calor, causando un riesgo de incendio.
- No use **NUNCA** este equipo como calefacción para calentar la habitación. Si lo hiciera podría sufrir un envenenamiento por monóxido de carbono.

Para reducir el riesgo de quemaduras mientras cocina, siga los siguientes consejos:

- No deje a niños o mascotas solos o sin supervisión en una habitación en la que haya electrodomésticos en funcionamiento. No permita que se sienten o se apoyen en ninguna parte del electrodoméstico. No almacene materiales inflamables sobre la placa de cocción ni cerca de ella.
- Cuando utilice la placa de cocción: **NO TOQUE LAS PARRILLAS DE LOS QUEMADORES NI LA ZONA QUE ESTÁ INMEDIATAMENTE ALREDEDOR.**
- Utilice únicamente paños o manoplas de cocina secos para manejar los recipientes: si utiliza manoplas húmedas o mojadas en superficies calientes, podría quemarse con el vapor del agua.

- No deje jamás la placa de cocción sin supervisión mientras esté encendida. Las salpicaduras de los recipientes provocan humo y si se derrama grasa, puede prender fuego. Una salpicadura en un quemador puede apagar parte de la llama o la llama entera, o impedir que la chispa prenda. Si se derrama algún alimento, apague el quemador y compruebe que funciona correctamente. Si el quemador funciona con normalidad, puede volver a encenderlo.
- Cuando esté cocinando, gradúe la intensidad de la llama de forma que caliente únicamente la base de la sartén: las llamas no deben sobresalir de la base.
- Asegúrese de que no haya corrientes de aire (como las provocadas por ventiladores) que conduzcan materiales inflamables hacia las llamas o que extiendan la llama más allá de los bordes del recipiente que esté utilizando.
- Coloque siempre los mangos de los utensilios hacia dentro, de forma que no se sitúen sobre las áreas de trabajo colindantes, los quemadores o el borde de la placa de cocción.
- Cuando cocine, utilice siempre la vestimenta adecuada. No utilice nunca ropa demasiado holgada ni mangas colgantes. No permita que la ropa, los trapos de cocina u otros materiales inflamables entren en contacto con los quemadores o las parrillas de los quemadores cuando estén calientes.
- Utilice únicamente recipientes adecuados para cocinas de gas, como determinados tipos de cristal, cerámica vidriada refractaria, barro u otros utensilios vitrificados.
- No limpie la placa de cocción mientras esté caliente. Algunos limpiadores producen un humo nocivo si se utilizan en superficies calientes

**PRECAUCIÓN**

No permita que los quemadores ni las parrillas entren en contacto con papel de aluminio, plástico o tela mientras estén calientes. Y tampoco coloque sartenes o recipientes vacíos sobre el fuego encendido.

**PRECAUCIÓN**

No deje cosas que puedan atraer la atención de los niños encima del cocinas. Si se suben al horno para alcanzar estas cosas podrían sufrir graves daños.

Para reducir el riesgo de fuego en el interior del horno:

1. No guarde materiales inflamables en el interior o cerca del horno.
2. No use agua cuando se produce un incendio de grasa. Apague el fuego con un extintor químico de polvo o espuma.
3. Se recomienda tener un extintor a mano y muy a la vista cerca de cualquier electrodoméstico, que se pueda usar rápidamente.
4. No recueza demasiado los alimentos. Vigile el horno con cuidado cuando utiliza materiales de papel, plástico u otros materiales combustibles 5. No utilice el horno para almacenar cosas. Nunca deje productos de papel, utensilios de cocina o alimentos en su interior cuando no se usa.
6. En caso de que se enciendan materiales dentro del horno, mantenga cerrada la puerta. Apague el horno y desconecte el circuito en la caja del cortacircuito.
7. No obstruya los conductos de ventilación del horno.
8. Asegúrese de que funciona el ventilador cuando el horno está funcionando. En caso contrario no utilice el horno. Llame a un centro de servicio autorizado.
9. Use ropa apropiada por cuestión de seguridad. Nunca use prendas sueltas o que tengan mangas largas mientras utiliza este aparato.

- Mantenga recogido el cabello largo.
- No deben tocarse las superficies internas del horno.
- Durante y después del uso, no permita que la ropa u otros materiales inflamables entren en contacto con los elementos quemadores o con las superficies internas del horno hasta que no se hayan enfriado. Otras superficies del equipo podrían calentarse lo suficiente para provocar quemaduras. Estas superficies son por ejemplo, las aperturas de ventilación del horno y las superficies situadas a proximidad de estas aperturas, las puertas del horno y las ventanas de las puertas del horno. La moldura de la parte superior y de los lados de la puerta del horno podría estar lo suficientemente calientes como para provocar quemaduras.
- Tenga cuidado cuando abra la puerta del horno. Abra la puerta ligeramente para dejar escapar el aire o el vapor caliente antes de sacar los alimentos.
- No caliente recipientes de alimentos cerrados. La presión acumulada podría hacer reventar el recipiente o provocar lesiones.
- Coloque siempre las rejillas del horno en el lugar deseado mientras el horno esté frío. Si tiene que mover una rejilla cuando el horno está caliente, evite el contacto del asa de la olla con los elementos calientes.
- Use siempre asas secas para las ollas. Las asas mojadas o húmedas sobre superficies calientes pueden provocar quemaduras por el vapor. Evite el contacto de las asas con los quemadores. No use toallas o trapos voluminosos.

ADVERTENCIA

- Mantenga los encendedores limpios y secos para lograr un encendido y rendimiento óptimos de los quemadores.
- En caso de que un quemador se apague y haya una fuga de gas, abra una ventana o una puerta. Espere al menos 5 minutos antes de volver a utilizar la placa de cocción.
- No obstruya el flujo de combustión ni el de ventilación.
- No usar papel de aluminio para alinear ninguna parte de la cavidad del horno pues se fusionará durante la cocción arruinando el esmalte .
- Si la range cookers se encuentra cerca de una ventana, asegúrese de que no haya cortinas, estores o cualquier otro elemento que cubra la ventana que pueda volar cerca de los quemadores: podría incendiarse.

Advertencias para Instalación de Gas y Eléctrica

En caso de que deba efectuar una instalación de gas propano

La placa de cocción ha sido diseñada para ser utilizada con gas natural. Pero puede transformarse para utilizarse con gas propano utilizando el kit de conversión para gas propano que le ha sido entregado con la placa de cocción. Asegúrese de que la unidad que está usted instalando es la adecuada para el tipo de gas que va a utilizar.

ADVERTENCIA

La instalación y el mantenimiento de este electrodoméstico deben ser efectuados por un instalador cualificado, una agencia técnica o el proveedor de gas.

PRECAUCIÓN

- Desenchufe siempre el aparato de la toma de red de la pared antes de comenzar la revisión o las operaciones de mantenimiento.
- Estos dispositivos deben contar con una toma de tierra para su seguridad.
- No corte ni retire el tercer cable (el cable de tierra) del cable del aparato, bajo ninguna circunstancia.

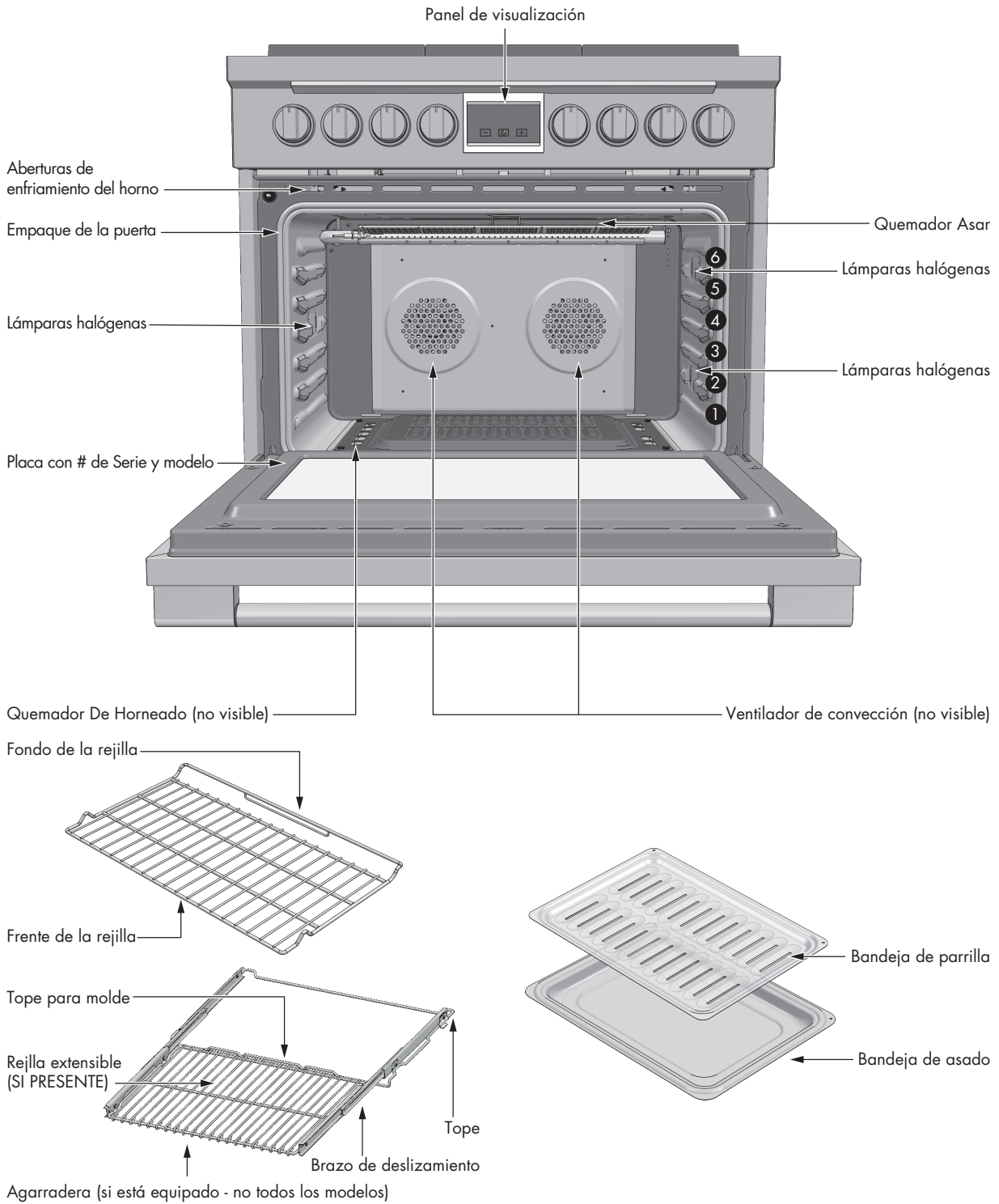
PRECAUCIÓN

Cuando conecte la unidad al gas propano, asegúrese de que la bombona de propano está equipada con su propio regulador de alta presión. Además, el regulador de presión que se suministra con el aparatos debe estar en el conducto de entrada del aparato.

En caso de interrupción del suministro eléctrico

Si por algún motivo, enciende un quemador y no hay energía eléctrica para operar el encendedor electrónico de la placa de cocción, ponga en posición de APAGADO todos los mandos de la placa de cocción y espere 5 minutos para que se disipe el gas que haya podido salir antes de encender el quemador de forma manual. Para encender el quemador manualmente, acerque con cuidado una cerilla encendida a los orificios del quemador y presione y gire el mando correspondiente hasta la posición HI (alta), hasta que se encienda la llama. Después, gire el mando para graduar la llama a la intensidad deseada.


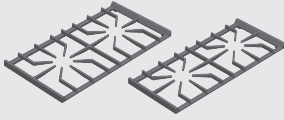
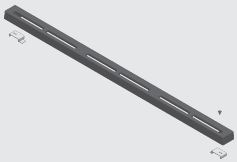
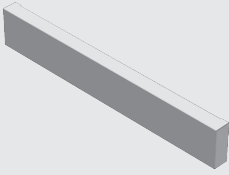
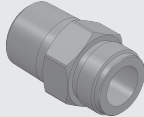



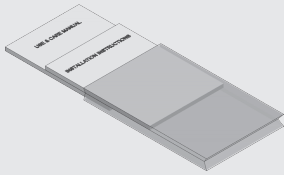
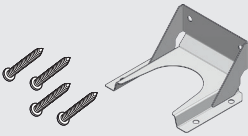
CARACTERÍSTICAS DE SU HORNO



MODELO: 30"	Gas NG (Natural) Gas 5" W.C.P.	LP (Propane) Gas, 10" W.C.P.
ASAR	14000 Btu/h (4100W)	13000 Btu/h (3800W)
HORNO	18000 Btu/h (5300W)	16000 Btu/h (4700W)

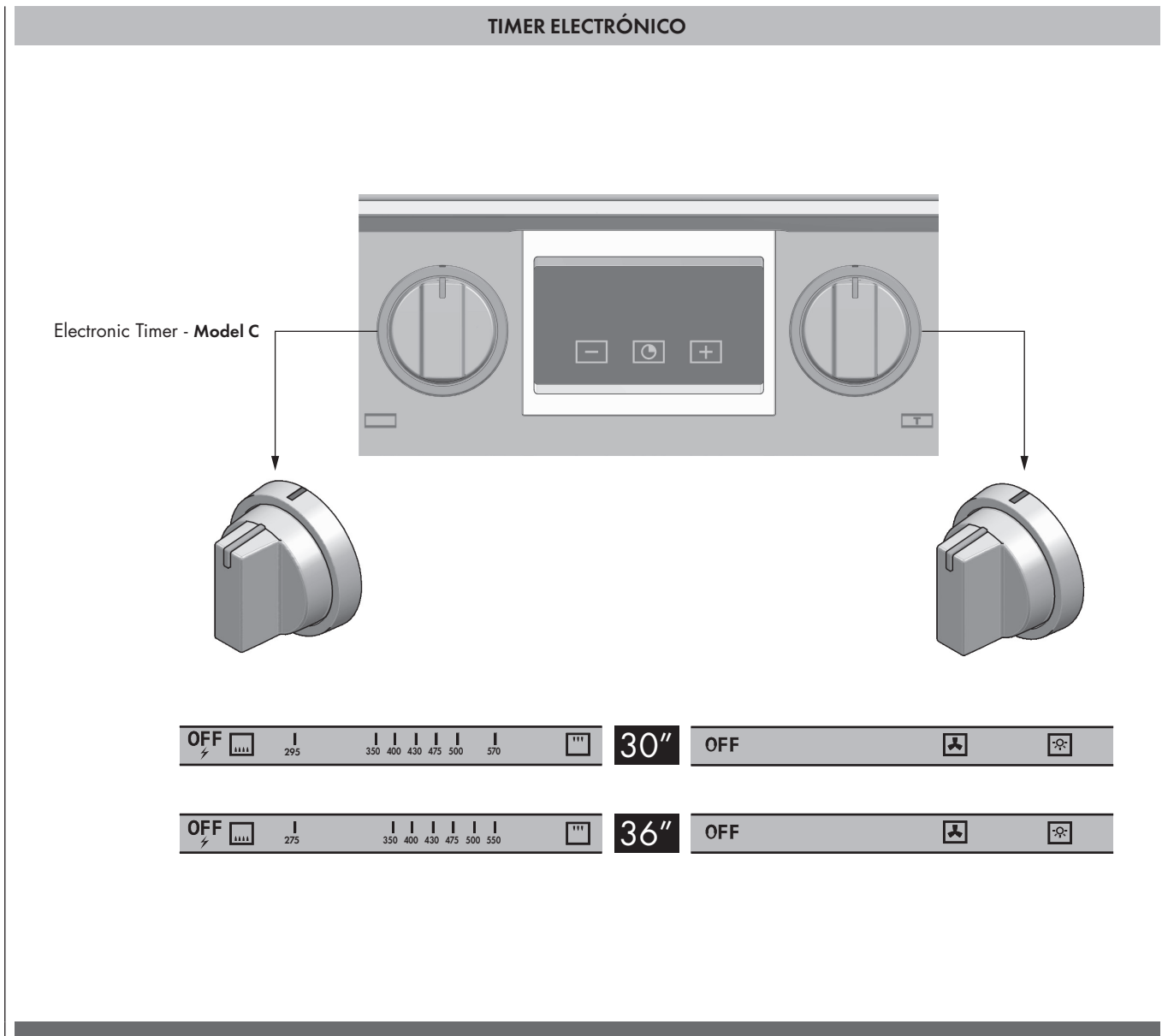
MODELO: 36"	Gas NG (Natural) Gas 5" W.C.P.	LP (Propane) Gas, 10" W.C.P.
ASAR	18000 Btu/h (5300W)	17000 Btu/h (5000W)
HORNO	21500 Btu/h (6300W)	21500 Btu/h (6300W)

NOTE: Btu/h de-rated 4% per 1000 feet for appliances installed over 2,000 feet (610mt)

CONTENIDOS DE SU CAJA SEGÚN LA GAMA					
	CANT	DESCRIPCIÓN		CANT	DESCRIPCIÓN
	1	GAMA OLLA		2	REJA DE HIERRO FUNDIDO
	1	AJUSTE DE LA ISLA DE HIERRO FUNDIDO DOS TORNILLOS DE FIJACIÓN		1	REGULADOR DE PRESIÓN
	1	RODAPIÉ		1	NIPLO
	3	PATA		1	JUNTA/ARANDELA
	1	PIE CON COLLAR			DOCUMENTACIÓN GENERAL & MANUAL
	1	CUATRO TORNILLOS DE FIJACIÓN ESTABLES		1	"INSTRUCCIONES DE INSTALACIÓN"
				1	"USO Y CUIDADO"
				1	KIT DE CONVERSIÓN GAS

ACCESORIOS HORNO PARA SU GAMA					
	CANT	DESCRIPCIÓN		CANT	DESCRIPCIÓN
	1	HORNO		1	BANDEJA PARRILLA ESMALTADA
	2	RACKS CROMADOS		1	PARRILLA ESMALTADA ANTISALPICADURAS
	1	RACK CROMADO TELESCÓPICO (SI PRESENTE)			

La interfaz del usuario tiene las siguientes características: pantalla, indicadores luminosos de precalentamiento, interruptores de control, perillas de modo de cocción y temperatura.



Control

Timer electrónico

Indicadores luminosos

Izquierda: Fallo ventilador
Derecha: Indicador luminoso horno ON

Botones

Selector de función, con dos funciones + posición OFF.

- 1. Iluminación
- 2. Ventilador del horno

Termostato con dos funciones + posición OFF.

- 1. **Sentido antihorario:** Quemador horno + ajuste temperatura.
- 2. **Sentido horario:** Quemador grill

Ventilador de enfriamiento

El ventilador está situado en el espacio mecánico entre el horno y la placa de cocción y crea una circulación del aire de refrigeración en el interior de este espacio que escapa a través de la abertura entre el panel de instrumentos y la puerta del horno en la parte frontal del aparato. Se enciende automáticamente cuando se alcanza el umbral de termostatos internos a fin de mantener fríos el cristal de la puerta, los componentes internos y la electrónica para garantizar una larga vida de cómodo funcionamiento sin preocupaciones.

Normalmente debería encenderse en algún momento durante la operación del horno y seguirá funcionando después de que el aparato haya sido desactivado hasta que se alcanza una temperatura ideal dentro del espacio mecánico.

También es posible que este ventilador de refrigeración pueda funcionar cuando se usa sólo la placa de cocción en caso de cocinar a alta temperatura durante largos periodos de tiempo en varios quemadores.

Si nota que el ventilador no está funcionando en absoluto durante la operación del horno póngase en contacto con el servicio de mantenimiento de inmediato.

Ventilador de convección

El ventilador de convección funciona con el modo convección. Cuando el horno funciona en modo de convección, el ventilador se apaga automáticamente al abrirse la puerta.

Luz del horno

La iluminación del horno está normalmente apagada; se enciende cuando se abre la puerta. El botón selector de función puede utilizarse para mantener la luz del horno constantemente encendida. Cuando el botón selector de función está girado sobre la posición ventilador de convección, la luz interna permanece encendida de manera permanente. No se puede apagar la luz mientras esté seleccionado el modo de convección.

Respiradero trasero del horno

El aire caliente proveniente del horno sale por los respiraderos situados en la parte trasera de la placa de cocina.

No permita que el flujo de aire procedente de los respiraderos sea bloqueado por un obstáculo (cacerolas, trapos).

Antes de la primera utilización

Para asegurarse de que todo el aceite residual del proceso de fabricación ha sido eliminado, cada horno debe someterse a las operaciones descritas a continuación.

1. Limpiar minuciosamente el horno con agua caliente y un detergente suave. Aclarar y secar con un paño suave.
2. Encender la ventilación. Es normal que aparezca un poco de humo y de olor.
3. Ajustar la temperatura del horno a 250°F (120°C) y dejar que el horno se caliente durante una hora.
4. Ajustar la temperatura del horno a 500°F (260°C) y dejar que el horno se caliente durante una hora más.
5. Apagar el horno y dejarlo enfriar con la puerta cerrada.

Precalentar el horno

- Precaliente el horno cuando utiliza los modos de Horneado, Horneado de convección y Asar.
- Seleccionar una temperatura más alta no acorta el tiempo de precalentado.
- Se necesita precalentar para obtener buenos resultados al hornear pasteles, galletas, pasteletitos y panes.
- El precalentado ayudará a dorar los asados y a que la carne conserve sus jugos.
- Coloque las rejillas del horno en su posición correcta antes de precalentar.
- No hay ningún indicador luminoso ni sonoro que muestre que el horno ha alcanzado la temperatura de consigna.

Tiempo de precalentamiento estimado para Gama 36"		
°F	°C	MIN:SEC
250	~ 120	2:30
325	~ 165	4:00
375	~ 190	5:00
425	~ 220	7:00
475	~ 245	9:00
550	~ 290	11:30

Tiempo de precalentamiento estimado para Gama 30"		
°F	°C	MIN:SEC
250	~ 120	2:30
325	~ 165	3:30
375	~ 190	4:30
425	~ 220	5:30
475	~ 245	7:00
550	~ 290	11:00

Sugerencias para el uso

- No ponga recipientes sobre la puerta abierta del horno
- Utilice la luz interna del horno para mirar los alimentos a través de la ventana del horno en lugar de abrir la puerta frecuentemente.

Recipientes

- Los recipientes de vidrio para hornear absorben el calor. Reduzca la temperatura del horno 25 °F (15 °C) cuando hornea con moldes de vidrio.
- Use los recipientes que producen el dorado deseado. El tipo de acabado del recipiente ayuda a determinar la cantidad de dorado que se producirá en el horno.
- Los moldes brillantes, de metal liso o ligeramente antiadherentes/anodizados reflejan el calor y dan como resultado un dorado más ligero y delicado. Los pasteles y galletas requieren este tipo de molde.
- Los recipientes oscuros, ásperos o sin brillo absorben el calor y producen una costra más dorada y crujiente. Use este tipo para pasteles.
- Utilice recipientes de metales oscuros antiadherentes/anodizados o moldes de metal sin brillo o moldes de vidrio de horneado para obtener una costra dorada. Los moldes aislantes de horneado pueden aumentar el tiempo de cocción.

- No hornee con la bandeja de asado vacía dentro del horno ya que esto puede cambiar el rendimiento del horneado. Guarde la bandeja de asado fuera del horno

Condensación y temperatura del horno

- Es normal que una cierta cantidad de humedad se evapore de los alimentos durante el proceso de cocción. La cantidad depende del contenido de humedad que contienen los alimentos. La humedad se puede condensar sobre una superficie más fría o en el interior del horno, así como en el panel de control.

Horneado a gran altitud

- Cuando se hornea a gran altitud, las recetas y el tiempo de cocción varían con respecto a los estándares.

Rejillas del horno

- El horno tiene guías para las rejillas en seis niveles como se muestran en la figura de la pág. 6.
- Las posiciones de las rejillas están numeradas desde la guía de la rejilla inferior (#1) a la superior (#6).
- Cada guía de nivel consiste en un par de soportes formados en las paredes de cada lado del interior del horno.
- Asegúrese siempre de que las rejillas del horno se encuentran en la posición correcta antes de encender el horno. Asegúrese de que las rejillas estén niveladas una vez colocadas en posición.

Si tiene dudas, como por ejemplo, qué lado es la parte frontal de la rejilla, tome como referencia la figura de la pág. 6.

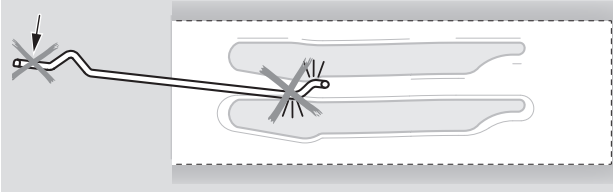
- Las rejillas están diseñadas para pararse cuando se tiran hacia atrás hasta el tope.

⚠ PRECAUCIÓN!

Nunca utilice papel de aluminio para tapar las rejillas del horno o para forrar el horno. El calor atrapado por debajo del papel de aluminio puede dañar el revestimiento del horno.

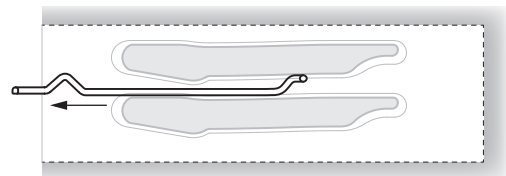
⚠ PRECAUCIÓN

Asegúrese de que no la ha forzado para evitar daños al esmalte.

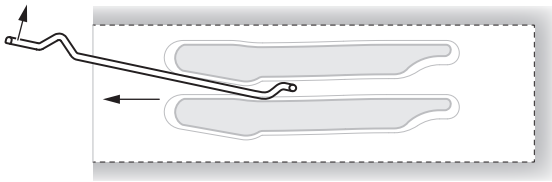


Para sacar las rejillas del horno:

1. Agarre la rejilla y empújela hacia atrás

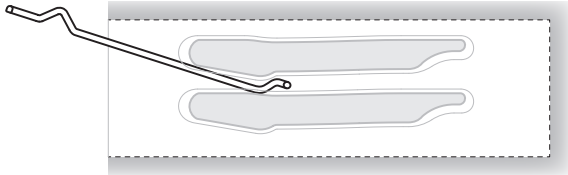


2. Incline la rejilla hacia arriba y sáquela

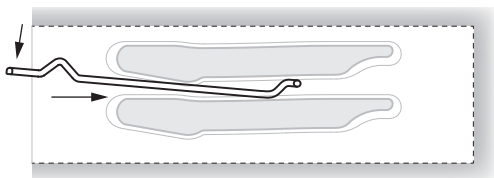


Para meter una rejilla del horno:

1. Coloque la parte de atrás de la rejilla entre las guías de nivel de rejilla



2. Mientras inclina la parte frontal de la rejilla hacia arriba, deslice la rejilla a lo largo de la vía mientras baja la parte frontal



La rejilla extensible

- La rejilla extensible facilita el acceso a los alimentos en el horno. Se extiende más allá de la rejilla plana normal acercando los alimentos al usuario.

PRECAUCIÓN

Cuando la rejilla sale del horno no se bloquean los brazos laterales de deslizamiento. Éstos se podrían extender inesperadamente si se transporta la rejilla de modo incorrecto.

Extender los brazos de deslizamiento puede causar lesiones.

Se debe sostener o transportar la rejilla solamente agarrando los lados.

NOTE: Siempre saque la rejilla extensible antes de autolimpiar el horno.

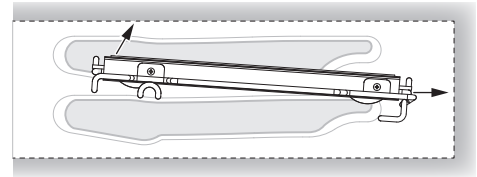
PRECAUCIÓN!

Para evitar quemaduras, jale la rejilla completamente y levante el molde arriba de la agarradera cuando transporta los alimentos al y del horno.

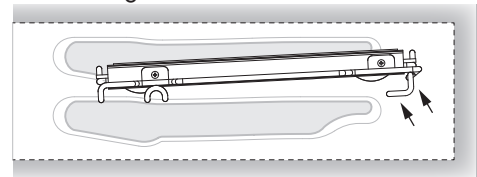
Si tiene dudas, como por ejemplo, qué lado es la parte frontal de la rejilla, tome como referencia la figura de la pág. 6.

Sacarla del horno:

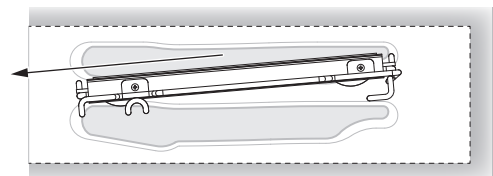
1. Eleve el rack ligeramente empujándolo hacia la parte trasera del horno hasta que se libere el tope.



2. Levante el fondo de la rejilla hasta que el marco y el tope queden libres de la guía

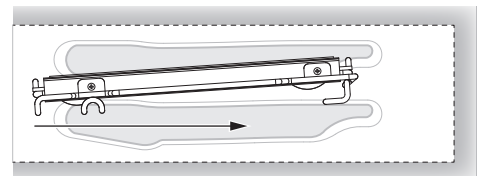


3. Jale la rejilla hacia abajo y sáquela

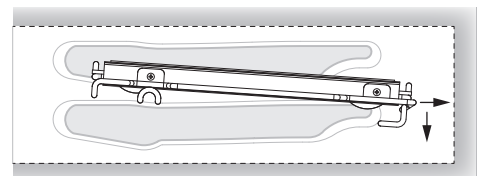


Colocar la rejilla en el horno:

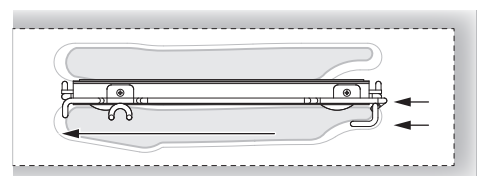
1. Agarre la rejilla firmemente en ambos lados. Coloque la rejilla (incluyendo el marco) arriba de la guía de rejilla deseada



2. Empuje la rejilla completamente hasta que el fondo de la rejilla caiga en su lugar






3. Hale ambas secciones hacia delante hasta que se active el tope. La rejilla debe estar recta no torcida



Timer touch control



Regulación del reloj



Al encender el reloj por primera vez aparecerán los símbolos "Auto" y "0:00" intermitentes. Para efectuar la primera regulación del reloj, pulsar la tecla central por unos 3 segundos. Cuando aparezca el símbolo  pulsar el pulsador  o  para regular la hora deseada.

Nota: Los ajustes disponibles sólo 12 horas.


Esperar hasta que una señal acústica indique que la hora está programada.

La modificación de la hora programada se puede efectuar más tarde, manteniendo pulsadas simultáneamente las teclas  y  por 3 segundos y regulando la hora del modo arriba explicado.

Cuentaminutos



Es una función de cuentaminutos que no interactúa con el funcionamiento del horno y, por lo tanto, al final de la cuenta el horno continuará funcionando.

Para efectuar la regulación, pulsar la tecla central por 3 segundos, hasta que aparezca el símbolo .

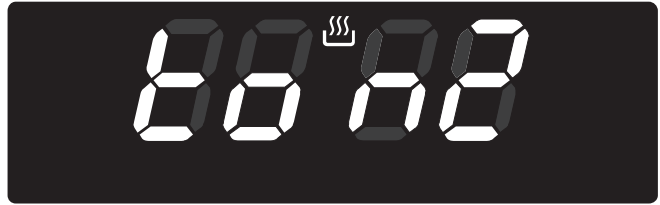
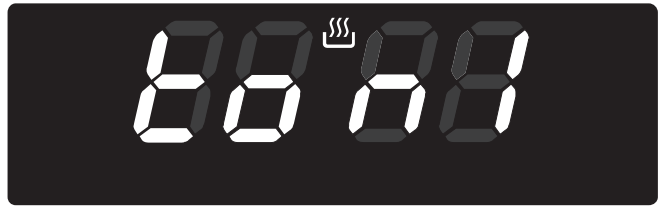
Con los pulsadores  y  programar el tiempo deseado.

Para las regulaciones sucesivas del cuentaminutos, volver a pulsar la tecla central por 3 segundos y efectuar la nueva regulación.


Una señal acústica indicará que la cuenta ha finalizado. Para desactivarla, pulsar cualquier tecla.

La función de aviso de minuto puede ajustarse a un tiempo máximo de 23 horas y 59 minutos.

Regulación de la intensidad de la señal acústica

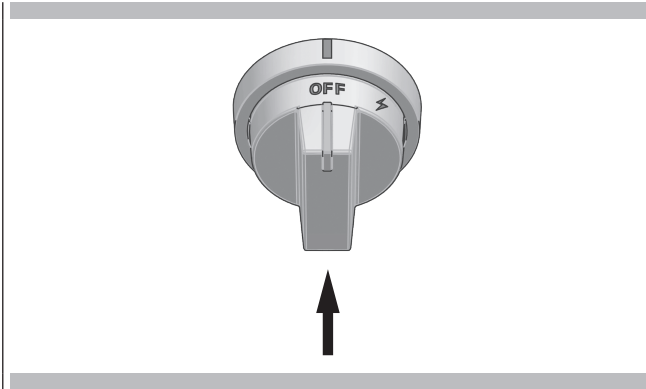


Para regular la intensidad sonora de la señal acústica, pulsar simultáneamente las teclas  y .

Luego pulsar la tecla central y aparecerá la inscripción "ton1" (tonalidad alta) intermitente. Pulsar repetidas veces la tecla  para seleccionar "ton2" (tonalidad media) o "ton3" (tonalidad baja). Pulsar la tecla central para programar la tonalidad seleccionada.

Control de la temperatura de horneado

Mientras se encuentre todavía en la posición de inicio (apagado), presione el botón de ajuste de la temperatura completamente alrededor de un segundo (se debe oír el módulo chispa que comienza a hacer un chasquido).



Libere y luego gire la perilla en sentido contrario a las agujas del reloj hasta la posición de temperatura deseada (al menos pasando la marca de temperatura mínima en la perilla). Una vez que el módulo de chispa comienza, seguirá haciendo chispas automáticamente por aproximadamente 9 segundos para asegurar que se enciende el gas. Usted puede oír un sonido tipo zumbido cuando la llama se enciende alrededor del quemador. (Consulte la tabla de precalentamiento, que aparece anteriormente en este manual para ver los tiempos de precalentamiento).

En el caso de que el quemador no se encienda, regrese la perilla a la posición "OFF" y repita el procedimiento de encendido del quemador de gas.

El encendido del quemador de la parrilla es el mismo procedimiento, excepto que la perilla se gira en el sentido de las agujas del reloj a la posición de asar una vez que se activa la chispa.

Escanear el código QR que aparece a continuación para ir al vídeo de YouTube que muestra el encendido del quemador del horno.



NOTA: Un olor a gas puede ser detectado en los casos en que el quemador no se haya encendido - esto es normal y no es indicativo de un flujo de gas continuo, una pequeña cantidad podría haber sido liberada durante la secuencia de encendido. Los hornos están equipados con termopares de seguridad que cierran la válvula y cortan el flujo de gas si no se detecta llama. Esta es la razón por la cual la perilla debe volver a la posición 'OFF' para restablecer el termopar en casos de no lograr el encendido de modo que pueda intentarlo nuevamente.

Control de la temperatura de cocción

El botón de control de la temperatura, que está provisto de válvula de seguridad, permite regular la temperatura del horno deseada. Cuando el horno está en funcionamiento o si la perilla de función selector (ventilador / luz) se coloca en cualquiera de las opciones, la luz de encendido se ilumina. La posición mínima corresponde a una temperatura del horno de:

30" = 295°F (145°C)

36" = 275°F (135°C)

La perilla de control tiene un tope en la posición mínima.

La posición máxima corresponde a una temperatura del horno de:

30" = 570°F (300°C)

36" = 550°F (290°C)

y se obtiene girando el botón a fondo en sentido antihorario.



PRECAUCIÓN

Si su experiencia de encendido no es similar a la descripción anterior o no logra el encendido después de varios intentos, debe apagar el suministro de gas para el horno y ponerse en contacto con el servicio técnico.

Grill

Para encender el grill, girar el botón en sentido horario hasta la posición correspondiente y mantenerlo apretado 5-10 minutos.



PRECAUCIÓN

Cuando se utiliza el grill, algunas partes accesibles pueden volverse muy calientes; mantener a los niños a distancia de seguridad.

Ventajas del modo Convección

La función ventilador de convección combinada con un fuerte calor procedente del quemador inferior permite asar los alimentos de manera más homogénea y delicada que el quemador solo. La cocción es más rápida que con un horno tradicional. El sistema es apto para cocinar alimentos de diferentes tipos (pescado, carne, etc.) en múltiples niveles.

El precalentamiento no es necesario cuando se utilizan los modos de convección, pero se recomienda para asar.

Con este método de cocción por convección se puede accionar el horno de manera normal y seguir las indicaciones del libro de recetas.

Los alimentos que va a cocinar preferentemente deberían estar colocados centralmente dentro del horno.



PRECAUCIÓN

El uso prolongado del aparato de gas produce calor y humedad en la cocina. Esto puede hacer necesaria la ventilación adicional, como la apertura de una ventana o de ventilación más eficaz, por ejemplo, aumentando el nivel de ventilación mecánica si está presente (campana de aspiración).

ALIMENTOS	TEMPERATURA °F (°C)	TIEMPO DE COCCIÓN (min)	PRECALENTAMIENTO
Pasta para bizcocho (brazo)	410 (210)	15 - 20	Sí
Pastaflores (galletas)	390 (200)	10 - 12	Sí
Pasta con levadura artificial (hogaza)	390 (200)	25 - 30	Sí
Bizcocho (pequeños moldes de papel)	375 (190)	20 - 25	Sí
Pasta fermentada (strudel con semillas de adormidera)	355 (180)	40 - 50	Sí
Pasta de hojaldre (pastelillos de hojaldre)	375 (190)	20 - 30	Sí
Soufflé	355 (180)	35 - 40	Sí
Sacher	355 (180)	55 - 60	Sí
Pastel de frutas	320 (160)	160 - 180	Sí
Pasta para lionesas	390 (200)	35 - 40	Sí
Asado de vaca (aprox. 1,5 Kg)	390 (200)	90 - 120	Sí
Pizza	390 (200)	20 - 25	Sí
Pudín de pescado	355 (180)	50 - 60	Sí
Groentenschote	340 (170)	30 - 40	Sí
Aves	375 - 390 (190 - 200)	60 - 70	Sí

Indicaciones para asar con gril

ALIMENTOS	TIEMPO DE COCCIÓN (min)	PRECALENTAMIENTO
Bistec	10 - 15	-
Chuleta	15 - 25	-

Tanto con el Horneado como con el Horneado de convección, los resultados escasos pueden ocurrir por muchas razones además de por un mal funcionamiento del horno. Controle la tabla para las causas de los problemas más comunes. Debido a que el tamaño, la forma y el material de los utensilios de hornear tienen un efecto directo sobre los resultados del horneado, la mejor solución podría ser reemplazar los viejos utensilios de hornear que se han oscurecido y deformado con el tiempo y el uso.

PROBLEMA DE HORNEADO	CAUSA
Los alimentos se doran poco uniformes	<ul style="list-style-type: none"> - El horno no está precalentado - Papel de aluminio en la rejilla o fondo del horno - Utensilios de hornear son demasiado grandes - Los moldes tienen contacto o tocan la pared
Los alimentos quedan muy	<ul style="list-style-type: none"> - El horno no está precalentado - Se usa un molde de vidrio, mate o de metal oscuro - Posición incorrecta de la rejilla - Los moldes tienen contacto o tocan la pared
Los alimentos quedan muy secos o muy encogidos	<ul style="list-style-type: none"> - Temperatura del horno muy alta - Tiempo de hornear muy largo - Se abrió la puerta del horno frecuentemente - El molde es demasiado grande
Los alimentos se hornean o asan muy lentamente	<ul style="list-style-type: none"> - Temperatura del horno muy baja - El horno no está precalentado - Se abrió la puerta del horno frecuentemente - Muy sellado con papel de aluminio - El molde es demasiado pequeño
Las costras de pays no se doran en el fondo o quedan muy empapadas.	<ul style="list-style-type: none"> - Tiempo de hornear insuficiente - Se usan moldes de acero brillosos - Posición incorrecta de la rejilla - Temperatura del horno muy baja
Los pasteles no se doran y quedan planos, tal vez sin terminar por adentro	<ul style="list-style-type: none"> - Temperatura del horno muy baja - Tiempo de hornear incorrecto - Se probó el pastel antes de tiempo - Se abrió la puerta del horno frecuentemente - El molde es demasiado grande
Los pasteles quedan elevados en el centro con grietas en la parte superior	<ul style="list-style-type: none"> - Temperatura del horno muy alta - Tiempo de hornear muy largo - Los moldes tienen contacto o tocan la pared - Posición incorrecta de la rejilla - El molde es demasiado pequeño
Los bordes de la costra de pays quedan muy dorados	<ul style="list-style-type: none"> - Temperatura del horno muy alta - Los bordes de la costra son muy delgados

⚠ ADVERTENCIA

- Asegúrese de que el horno esté frío y de que se haya apagado la corriente antes de quitarla puerta. De otro modo podría causar una descarga eléctrica o quemaduras.
- La puerta del horno es pesada y frágil. Use ambas manos para quitar la puerta. La parte frontal de la puerta es de vidrio. La puerta delantera es de vidrio y cuenta con 4 paneles.
- Agarre solo los costados de la puerta del horno.
- No use la agarradera ya que podría girar en su mano y causar daños o heridas.
- Si no agarra firmemente y de la manera correcta la puerta del horno podría causar lesiones a personas o daños al producto

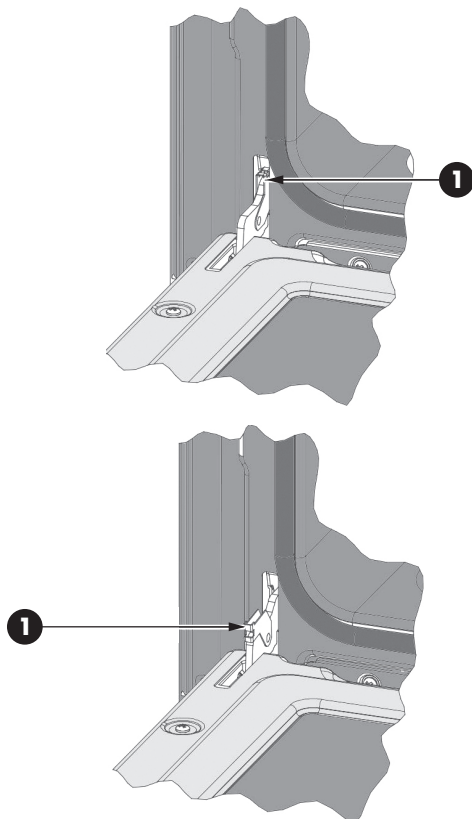
Para quitar la puerta

1. Abra completamente la puerta.
2. Quite de golpe el clip de seguridad de la bisagra de cada una de las bisagras hacia usted (1).
3. Sujete la puerta firmemente por ambos lados con ambas manos y cierre la puerta hasta que sienta que se detiene en la pinza de seguridad.
4. Sujete con firmeza; la puerta es pesada. Levante y tire hacia usted, puede que tenga que jugar un poco para sentir que las bisagras se desacoplan del bastidor del horno.
5. Coloque la puerta en un lugar adecuado.

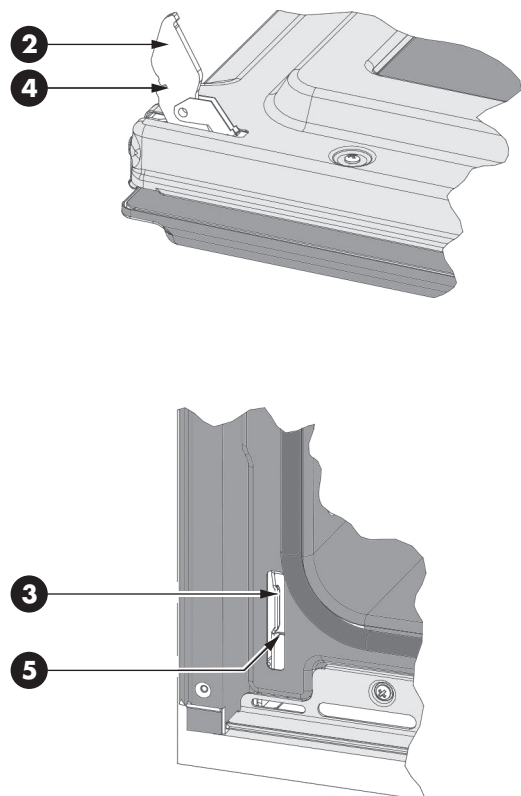
Para volver a colocar la puerta

1. Introduzca los brazos superiores (2) de ambas bisagras en las ranuras (3). Las hendiduras (4) deben quedar enganchadas en los bordes (5).
2. Ponga los clips de seguridad de la bisagra (1) de nuevo en su posición. Si las pinzas de seguridad no pueden ser fácilmente movidas de vuelta a su posición normal de funcionamiento, es decir, las pinzas golpean el bastidor, entonces la puerta no está correctamente colocada. Retirar nuevamente las pinzas de seguridad y vuelva a insertar la puerta - usted sentirá un ajuste o un ligero descenso cuando las bisagras se acoplan al bastidor correctamente.
3. Cierre y abra lentamente la puerta para asegurarse de que se ha colocado de forma correcta y firme.

PARA QUITAR LA PUERTA



PARA SUSTITUIR LA PUERTA



- Todos los hornos están equipados con luces halógenas ubicadas las paredes laterales del horno.
- Las luces se enciende cuando las puertas se abren o cuando se encuentra en el ciclo de cocción.
- Cada lámpara consiste en unas lentes removibles, una bombilla y un casquillo que está fijado en su lugar. Vea la figura de esta página.
- La sustitución de la bombilla se considera un mantenimiento de rutina.

Para remplazar la bombilla

1. Lea la ADVERTENCIA de esta página.
2. Apague la corriente general (caja de fusibles o cortocircuito).
3. Retire la lente para hacer palanca entre el tornillo y el cristal con un destornillador.
4. Extraiga la bombilla de su casquillo.
5. Sustituya la bombilla con otra. Evite tocar la bombilla con los dedos, porque la grasa de las manos podría dañar la bombilla cuando se calienta.
6. La bombilla es halógena: utilice una del mismo tipo comprobando los voltios y vatios.
7. Enrosque las lentes.
8. Vuelva a colocar la tapa del ventilador si el modelo está dotado con ello.

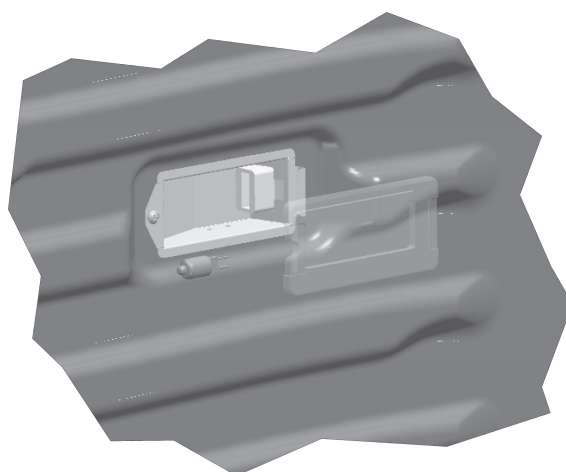
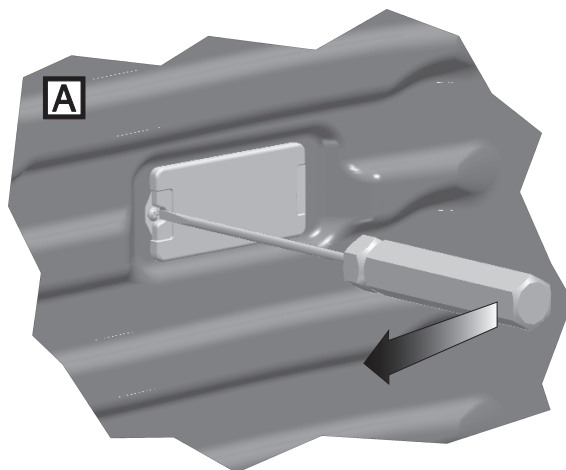
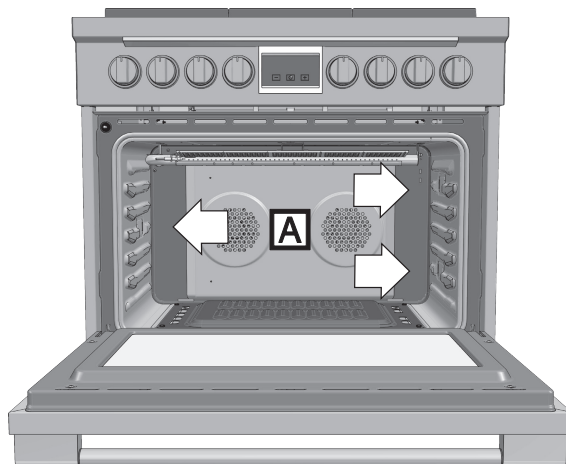
Restablezca la corriente general (caja de fusibles o cortocircuito).



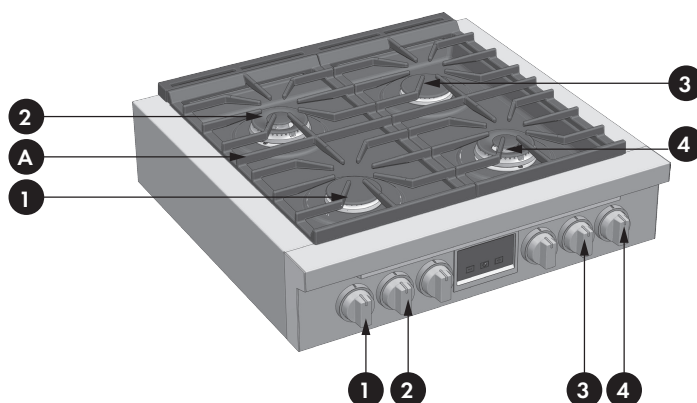
ADVERTENCIA

- Asegúrese de que el horno y las lámparas estén frías y la corriente está apagada antes de remplazar la(s) bombilla(s). Puede haber un fallo debido a una descarga eléctrica o a quemaduras.
- Las lentes tienen que estar montadas cuando se usa el horno.
- Las lentes sirven para evitar que se rompan las bombillas.
- Las lentes son de vidrio. Manéjelas con cuidado para evitar que se rompan. Los vidrios rotos pueden causar lesiones.

LUZ DEL HORNO



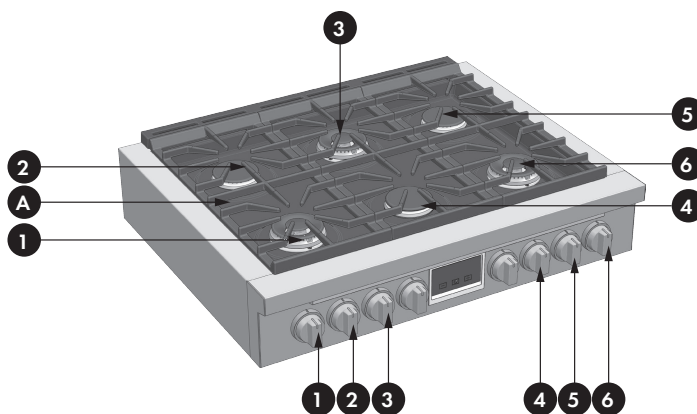
PLACA DE COCCIÓN 30"



A. Rejas

CALIFICACIONES DE SALIDA DEL QUEMADOR: BTU/HR	Gas NG (Natural) Gas 5" W.C.P.	LP (Propane) Gas, 10" W.C.P.
1 UNA SOLA CORONA (Quemador y mando correspondiente)	2200 to 15000 Btu/h (645 to 4400W)	2200 to 12000 Btu/h (645 to 3500W)
2 CORONAS DOBLES (Quemador y mando correspondiente)	750 to 18000 Btu/h (220 to 5300W)	750 to 15000 Btu/h (220 to 4400W)
3 UNA SOLA CORONA (Quemador y mando correspondiente)	2200 to 15000 Btu/h (645 to 4400W)	2200 to 12000 Btu/h (645 to 3500W)
4 CORONAS DOBLES (Quemador y mando correspondiente)	750 to 18000 Btu/h (220 to 5300W)	750 to 15000 Btu/h (220 to 4400W)

PLACA DE COCCIÓN 36"

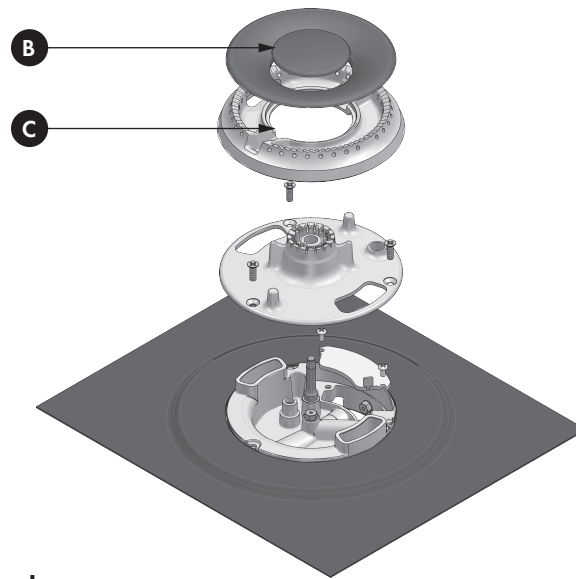


A. Rejas

CALIFICACIONES DE SALIDA DEL QUEMADOR: BTU/HR	Gas NG (Natural) Gas 5" W.C.P.	LP (Propane) Gas, 10" W.C.P.
1 CORONAS DOBLES (Quemador y mando correspondiente)	750 to 18000 Btu/h (220 to 5300W)	750 to 15000 Btu/h (220 to 4400W)
2 UNA SOLA CORONA (Quemador y mando correspondiente)	2200 to 15000 Btu/h (645 to 4400W)	2200 to 12000 Btu/h (645 to 3500W)
3 CORONAS DOBLES (Quemador y mando correspondiente)	750 to 18000 Btu/h (220 to 5300W)	750 to 15000 Btu/h (220 to 4400W)
4 UNA SOLA CORONA (Quemador y mando correspondiente)	2200 to 15000 Btu/h (645 to 4400W)	2200 to 12000 Btu/h (645 to 3500W)
5 UNA SOLA CORONA (Quemador y mando correspondiente)	2200 to 15000 Btu/h (645 to 4400W)	2200 to 12000 Btu/h (645 to 3500W)
6 CORONAS DOBLES (Quemador y mando correspondiente)	750 to 18000 Btu/h (220 to 5300W)	750 to 15000 Btu/h (220 to 4400W)

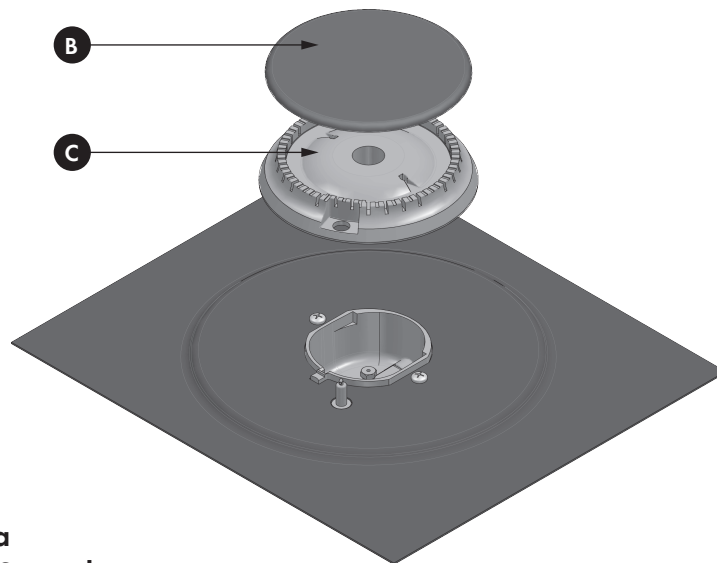
* (en algunos modelos)

QUEMADOR



- B. Quemador de la Copa
- C. Quemadores de Gas Spreader

QUEMADOR

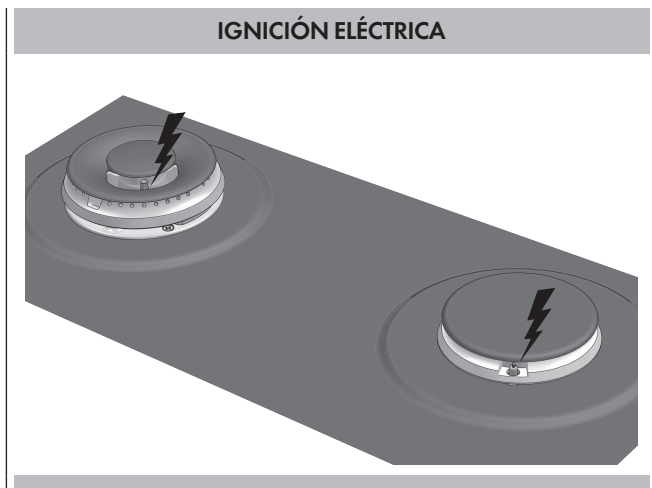


- B. Quemador de la Copa
- C. Quemadores de Gas Spreader

Uso de los Mandos

Ignición eléctrica del gas

Los quemadores de gas utilizan un dispositivo de encendido eléctrico situado cerca de cada quemador que por medio de un módulo de chispa aseguran el encendido automático.



El reencendido automático electrónico enciende el quemador de superficie con el botón del control correspondiente, girado de forma a garantizar un flujo de gas suficiente para mantener la llama.

Si una llama se apaga por una razón cualquiera, el encendedor se activa automáticamente para volver a encenderla.

NOTA: Esta característica se suministra como una comodidad y no se ha concebido como una característica de seguridad. Si detecta un olor de gas proveniente de su aparato asegúrese que todas las perillas estén en la posición OFF. Si el olor persiste, apague el suministro e inspeccione las conexiones.

Para realizar el ajuste:

- Pulsar y girar un botón en el sentido antihorario; un clic indica que la chispa se ha activado. El quemador produce entonces una llama y acciona el reencendido automático.

ADVERTENCIA

- No utilice el quemador con cazuelas vacías o sin cazuelas en la parrilla.
- No toque el quemador cuando los encendedores estén en funcionamiento (chispa) (riesgo de descarga).
- No deje que la llama del quemador se extienda más allá del borde de la bandeja (peligro de quemaduras en las empuñaduras y posibles daños a utensilios/ quemaduras).
- Apague todos los controles cuando no esté cocinando.

Un error cuando se siguen estas instrucciones puede provocar heridas a las personas o fuego.

Quemadores con llamas de dos coronas

Estos quemadores tienen dos anillos de llama independientes para proporcionar una completa regulación térmica desde alta potencia hasta cocción a fuego lento.

1. Empuje y gire el pomo a izquierdas dentro del intervalo principal HI-LO, la llama principal y la llama para fuego lento se encienden y permanecen encendidas.
2. Ajuste la temperatura deseada dentro del intervalo principal HI - LO.

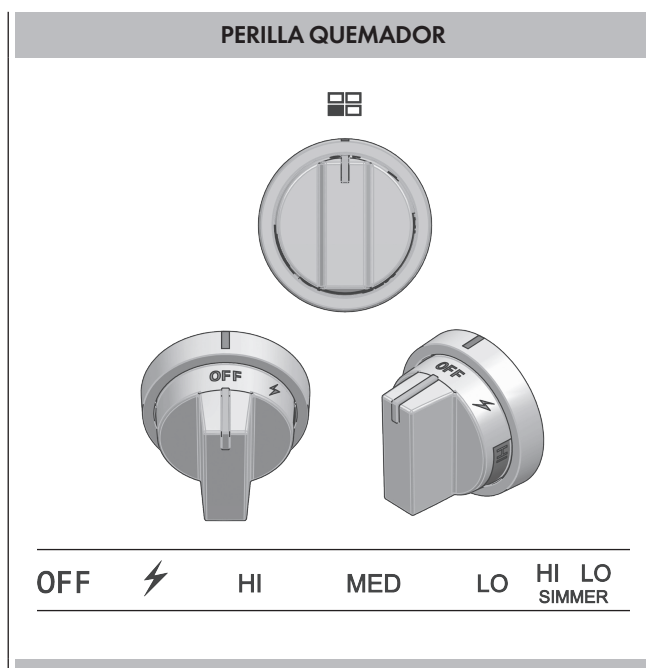
NOTA: El botón está previsto para detenerse en un valor intermedio (MED). Para continuar hasta el valor bajo y/o fuego lento (LO/Simmer), pulsar el botón mientras se sigue girando en el sentido antihorario. Este método no sirve para pasar de LO/Simmer a OFF.

Ajuste de cocción a fuego lento

Siga girando el mando a izquierdas hasta el intervalo 'HILO SIMMER'. La corona externa se apaga y el ajuste de la temperatura puede hacerse utilizando solamente la corona interna.

Apagado del quemador

Gire el mando a derechas lo más que se pueda hasta la posición de apagado. Asegúrese de que la llama está completamente apagada.



Las Llamas del Quemador

Encienda todos los quemadores. Las llamas deberían ser de color azul con un toque de amarillo. Las puntas de las llamas ocasionalmente puede tornarse amarillas momentáneamente: esto es normal. Las llamas amarillas son indicativas de bajo suministro de oxígeno que puede ocurrir en altitudes más altas. Algunas de las regiones de mayor altitud añaden oxígeno para el abastecimiento de gas natural para compensar. Las llamas del quemador no deben chisporrotear o soplar lejos del quemador. El cono interior de la llama debería ser de entre 1/2" (1,2 cm) y 3/4" (1,9 cm) de largo

- NOTA:
- La presencia de materiales extraños en el tubo de gas, en particular en las construcciones nuevas, puede provocar la aparición de una llama naranja durante las operaciones iniciales. El color naranja desaparece con las utilidades sucesivas. Las puntas amarillas son normales en las llamas producidas con gas licuado de petróleo.
 - Si la llama no es uniforme alrededor del borde del quemador, espere a que se enfríe la placa de cocción y asegúrese de que el quemador esté correctamente montado y el las tapas del quemador estén colocadas correctamente.

Quemadores de Superficie Bien Sellados



IMPORTANTE

No obstruya el caudal de combustión de la ventilación del aire alrededor de los lados de la rejilla del quemador.

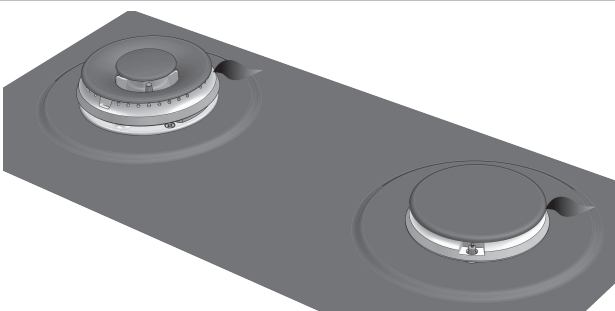
Tapa del quemador y difusor de gas

Cuando use una superficie del quemador tenga cuidado siempre de que la tapa del quemador y el difusor del gas estén en su lugar. Si la tapa del quemador y el difusor están limpios, esto puede prevenir una ignición escasa y una llamas desiguales. Limpie siempre estas partes tras un derramamiento y como rutina limpie siguiendo las recomendaciones que se indican en la sección "Limpieza General".

Base del quemador e inyector

El gas debe fluir sin obstáculos por el orificio del inyector para prender correctamente. Mantenga la zona del inyector limpia e impida que los restos de alimentos, productos de limpieza o cualquier otro material bloqueen la abertura del orificio. Protéjalo durante la limpieza.

LAS LLAMAS DEL QUEMADOR



Antes de encender el quemador, asegúrese de que:

- El difusor de gas está acoplado correctamente y el pasador de alineación está alineado correctamente con la ranura de la base del quemador.
- La tapa está acoplada correctamente y el pasador de alineación está alineado correctamente con la ranura del difusor de gas.

Ranuras de los quemadores

Compruebe periódicamente las llamas que emite el quemador. El color de una llama normal es azul, no amarillo o naranja. Mantenga la zona limpia e impida que salpicaduras o restos de alimentos, productos de limpieza o cualquier otro material entren en los ranuras de los quemadores.

Cómo limpiar los quemadores:

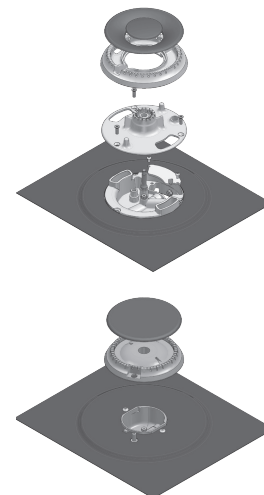


IMPORTANTE

Antes de empezar a limpiar, asegúrese de que todos los mandos están en la posición de apagado y compruebe que la placa de cocción está fría.

1. Retire la tapa del quemador de la base del quemador y límpiela siguiendo las instrucciones de la sección de limpieza.
2. Retire el difusor del quemador. Limpie la abertura del conducto de gas y la ranura del quemador siguiendo las instrucciones recogidas en la sección de limpieza.
3. Limpie la base del quemador con un paño húmedo. No utilice detergentes: es importante impedir que el orificio del inyector se obstruya con productos de limpieza u otros materiales.
4. Vuelva a colocar el difusor y la tapa del quemador en su sitio comprobando que se acoplen perfectamente.
5. Encienda el quemador. Si no se enciende, compruebe que la tapa y el difusor del quemador están bien acoplados. Si están en buen estado y bien acoplados, pero el quemador sigue sin encenderse, póngase en contacto con un técnico especialista para su reparación, no intente hacerlo usted mismo.

VISTA DE DESPIEZO DEL QUEMADOR



IMPORTANTE: No deje nunca un recipiente vacío sobre una parrilla o un quemador caliente. Los recipientes ideales para cocinar deberían tener una base plana, laterales rectos y una tapa que encaje perfectamente.

Deberían ser de un espesor medio-alto. Los acabados rugosos podrían rayar la placa de cocción.

Los recipientes de cocina pueden ser de aluminio y cobre, pero si la base está hecha con esos materiales, pueden dejar marcas permanentes en la placa de cocción o en las parrillas. El material de los recipientes es un factor que contribuye a determinar la velocidad y uniformidad a la que se transfiere el calor, cosa que afecta al resultado del plato que esté preparando. Un acabado antiadherente tiene las mismas características que el material de la base. Por ejemplo, un recipiente de aluminio con un acabado antiadherente, disfrutará de las propiedades del aluminio. Consulte la siguiente guía para conocer las características de cada material.

Características de los Materiales

Aluminio:

calienta de forma rápida y uniforme. Es adecuado para todo tipo de cocina. El espesor medioalto es el mejor para la mayor parte de las tareas de cocina.

Hierro fundido:

calienta lenta y uniformemente. Es ideal para dorar y freír. Mantiene muy bien el calor y por eso es adecuado para cocinar a fuego lento.

Cerámica o cerámica vidriada:

siga las instrucciones del fabricante. Calienta lentamente, pero de manera irregular. Da unos buenísimos resultados a temperaturas bajas y medias.

Cobre:

calienta muy rápidamente y de manera uniforme.

Barro:

siga las instrucciones del fabricante. Utilícelo con fuego bajo.

Acero o hierro fundido con porcelana vitrificada:

lea el apartado de acero inoxidable o de hierro fundido.

Acero inoxidable:

calienta rápidamente, pero de manera poco uniforme. Una base de aluminio o cobre en un recipiente de acero inoxidable proporciona un calentamiento uniforme.

Adecue el Diámetro de la Llama al del Recipiente

La llama debería tener el mismo diámetro (o un poco menos) que la base del recipiente. No utilice sartenes pequeñas con una llama alta, porque las llamas podrían comerse los laterales del recipiente. Las sartenes o cazuelas de gran tamaño que requieran el uso de dos quemadores, deberían ponerse entre un quemador trasero y uno frontal, y no de lado a lado de la placa de cocción.

Utilice recipientes equilibrados

Las sartenes y ollas deben asentarse de manera estable en la parrilla de la placa de cocción, no deben bailar. Centre el recipiente sobre el quemador.

Utilice una tapa que encaje perfectamente con el recipiente

Una tapa adecuada ayuda a acortar el tiempo de cocción. Las sartenes con fondos planos y pesados proporcionan un calor uniforme y una gran estabilidad.

ADVERTENCIA

RECIPIENTE EQUILIBRADO

CÓNCAVO

CONVEXO

ADECUE EL DIÁMETRO LLAMA AL RECIPIENTE

UTILICE UNA TAPA QUE ENCAJE PERFECTAMENTE

RECIPIENTE NO EQUILIBRADO

Cómo usar la tabla de la limpieza del horno

1. Localice el número de la parte que tiene que limpiar en la figura de esta página.
2. Busque el nombre de la parte en la tabla.
 - Use el método de limpieza que aparece en la columna de la izquierda si el horno es blanco o negro.
 - Use el método de limpieza que aparece en la columna de la derecha si el horno es de acero inoxidable.
3. Haga coincidir la letra con el método de limpieza Phe de la página siguiente.

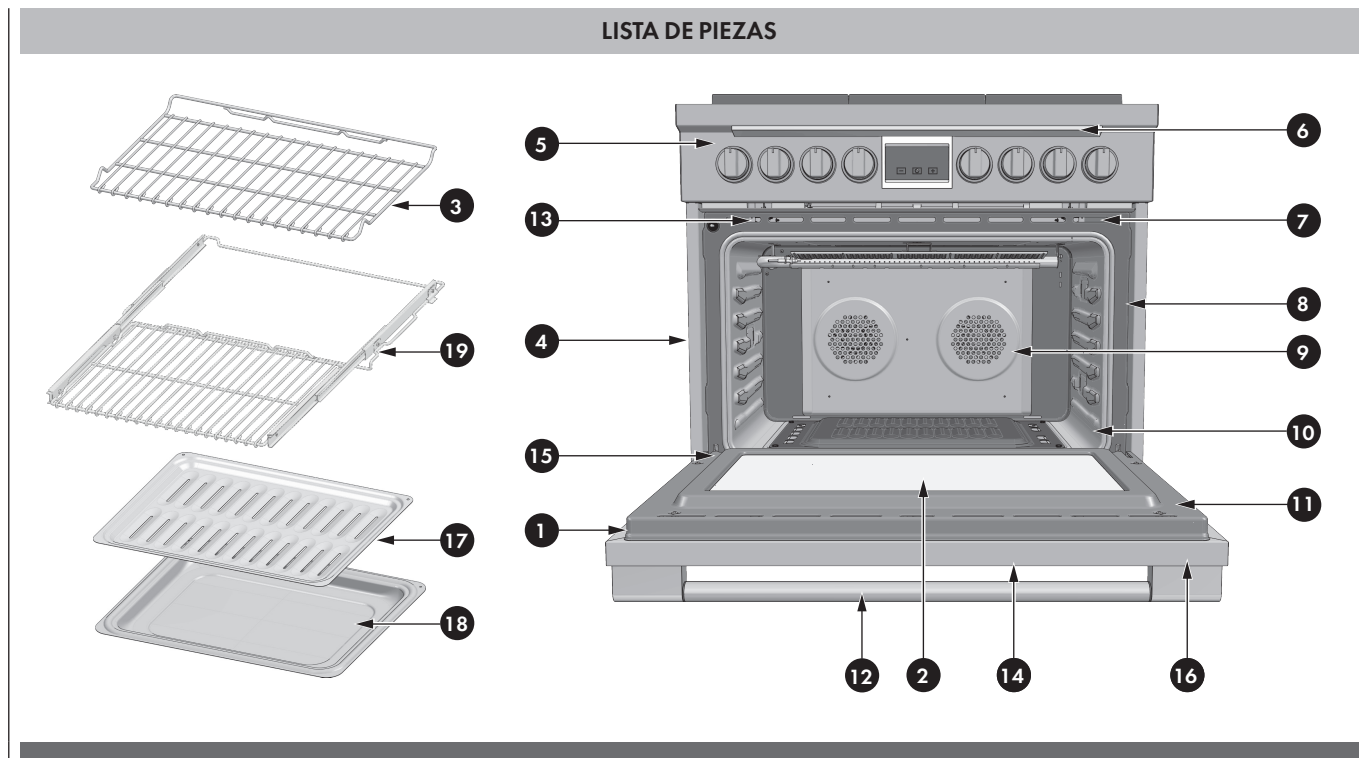


Gráfico limpieza							
Parte		Método de limpieza		Parte		Método de limpieza	
		Esmaltado	Acero Inoxidable			Esmaltado	Acero Inoxidable
1	Marco de la puerta	D	G	11	Puerta del horno interior	E	E
2	Interior de la ventana de la puerta	F	F	12	Agarradera de la puerta	G	G
3	Rejillas removibles del horno	A or E	A or E	13	Aberturas de enfriamiento de la puerta	E	E
4	Molduras laterales	G	G	14	Frente de la puerta	C&D	C&G
5	Moldura del panel de control	G	G	15	Molduras del horno	D	D
6	Panel de control	D	G	16	Tapa terminal	D	G
7	Aberturas de enfriamiento del horno	D	D	17	Bandeja de grill	E	E
8	Marco frontal del horno	E	E	18	Bandeja del horno inferior	E	E
9	Cavidad del horno	E	E	19	Rejilla extensible	A	A
10	Empaque metálico	B	B				

El horno completo se tiene que limpiar de manera segura con una esponja jabonosa, enjuagar y secar. Si no se consiguen eliminar residuos persistentes, siga los métodos de limpieza que se muestran aquí abajo.

- Use siempre el limpiador más suave para hacer el trabajo.
- Frote el acabado del metal en la dirección del granulado.
- Use trapos limpios y suaves, esponjas o toallas de papel.
- Enjuague a fondo con el mínimo de agua posible para que no gotee agua en el interior de las ranuras.
- Seque para evitar que se formen alones.

Los limpiadores que se enumeran aquí abajo indican el tipo de productos que hay que usar y no se recomiendan. Use todos los productos según las instrucciones del paquete.

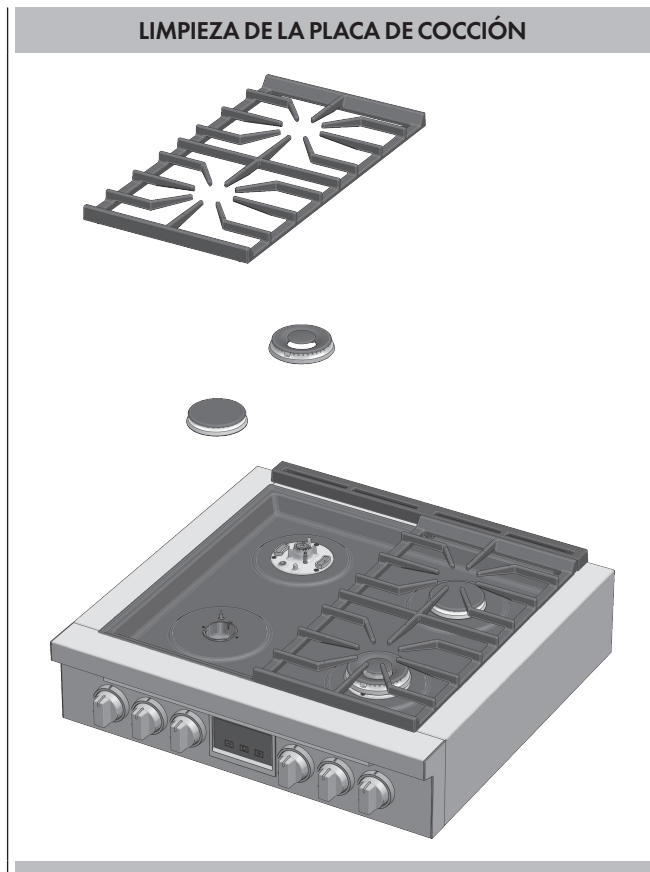
Parte		Método de limpieza
A	Cromo plácado	Lave con agua jabonosa caliente. O frote suavemente con esponjillas con Soft Scrub®, Bon-Ami®, Comet®, Ajax®, Brillo® o S.O.S® directamente. Se puede usar los limpiadores de horno Easy Off® o Dow® (fórmula de horno en frío), pero podrían provocar oscurecimientos y decoloración. Se pueden limpiar las rejillas en el horno durante el modo de autolimpieza, pero perderán su acabado brillante y cambiar permanentemente a un gris metálico.
B	Fibra de vidrio	NO LIMPIE EL EMPAQUE A MANO.
C	Cristal	Eche Spary Windex® o Glass Plus en una tela primero, y luego límpielo. Use Fantastik® o Formula 409® para quitar salpicaduras grasientas.
D	Pintura	Limpie con agua jabonosa caliente o aplique Fantastik® o Formula 409® primero a una esponja limpia o una toalla de papel y limpie. Evite el uso de limpiadores en polvo y esponjillas de fibra metálica y detergentes para hornos.
E	Porcelana	Limpie de inmediato derrames ácidos como jugos de fruta, leche y jitomate con una toalla seca. No use una esponja/toalla húmeda sobre porcelana caliente. Cuando ya está fría, limpie con agua jabonosa caliente o aplique Bon-Ami® o Soft Scrub® a una esponja húmeda. Enjuague y seque. Para manchas resistentes, use suavemente esponjillas con Brillo® o S.O.S.®. Es normal que la porcelana se agriete (líneas finas) con el tiempo debido a la exposición al calor y a los residuos de comida.
F	Cristal reflectante	Limpie con agua caliente jabonosa y una esponja o un estropajo de plástico. Para las manchas de agua, use vinagre, Windex®, amoníaco o Bon-Ami®. NO USE ABRASIVOS DUROS
G	Acero inoxidable	Siempre limpie con el grano. Limpie con una esponja jabonosa luego enjuague y seque o limpie con Fantastik® o Formula 409® aplicado a una toalla de papel. Proteja y limpie con Stainless Steel Magic® y un trapo suave. Quite las manchas de agua con un trapo humedecido con vinagre blanco. Use Bar Keeper's Friend® para quitar la decoloración térmica.

Puede limpiar toda la placa de cocción utilizando un paño o esponja embebidos en jabón. Una vez limpia, aclare y seque la superficie. Si queda alguna mancha más resistente, siga alguna de las recomendaciones que encontrará abajo.

⚠ PELIGRO

- Antes de limpiar, asegúrese de que los quemadores están apagados y de que las parrillas están frías.
- Utilice siempre un limpiador neutro para limpiar la placa. Utilice también paños suaves, esponjas o papel de cocina limpios.
- Frote el acero inoxidable siguiendo las marcas del acabado de superficie. Seque bien la zona que haya limpiado para evitar que queden marcas de agua.
- No limpie ninguno de los elementos extraíbles de la placa de cocción en un horno con sistema de autolimpieza.
- Una vez haya limpiado todo, vuelva a colocar cada pieza en su lugar antes de volver a utilizar la cocina.

Los productos de limpieza recogidos a continuación han sido seleccionados como recomendación: su inclusión en este documento no constituye en modo alguno una forma de publicidad. Siga las instrucciones de uso de cada producto.



Placa de Cocción / Productos de Limpieza Aconsejados

Partes y materiales	Productos aconsejados	Sugerencias y recordatorios
Base del quemador (aleación de aluminio)	Paño húmedo.	Mantenga el inyector de gas limpio: impida que entren productos de limpieza u otros materiales en el orificio del inyector.
Difusor de llama (aleación de aluminio)	Detergente y agua caliente. Aclarar y secar. Cepillo de dientes con cerdas de nailon para limpiar los orificios. Limpiadores abrasivos: limpia metales reverse ware® metal polish. Siga las instrucciones del envase Utilice Brillo® o S.O.S.®. Aclare y seque.	Frote suavemente con movimientos circulares. Los limpiadores para aluminio pueden apagar el brillo de la superficie. Para limpiar el orificio del difusor, utilice un cepillo de dientes o un clip abierto.
Gas spreader (Latón)	Lávelos en agua caliente con jabón, aclare y seque. Use un cepillo de nylon rígido o clip de papel con la punta recta para limpiar las ranuras del propagador de llama.	Rub lightly, in a circular motion. Brass cleaners may dull the surface. To clean port opening, use a tooth brush or straightened paper clip.

Partes y materiales	Productos aconsejados	Sugerencias y recordatorios
Tapas de los quemadores y parrillas (porcelana esmaltada sobre hierro fundido)	Limpiadores no abrasivos: agua caliente y detergente, Fantastic, Formula 409. Aclare y seque de inmediato. Limpiadores abrasivos suaves: Bon Ami® y Soft Scrub®. Limpiadores abrasivos para manchas rebeldes: esponjas de lana de acero con jabón.	Las parrillas son pesadas: tenga cuidado al levantarlas y colóquelas en una superficie protegida. Las burbujas, las grietas y las astillas son habituales dadas las extremas temperaturas a las que están expuestas las parrillas y los rápidos cambios de temperatura. Las salpicaduras ácidas y de azúcar deterioran el esmalte. Retire las manchas de inmediato. Los limpiadores abrasivos, si se utilizan de manera demasiado enérgica o demasiado a menudo, pueden acabar dañando el esmalte
Acabado exterior (porcelana esmaltada)	Agua caliente con jabón. Aclare y seque bien. Limpiadores no abrasivos: amoníaco, Fantastic, Formula 409. Aclare y seque de inmediato. Limpiadores abrasivos suaves: Bon Ami®, Ajax® y Comet®. Limpiadores líquidos: Kleen King®, Soft Scrub®.	Las salpicaduras ácidas y de azúcar deterioran el esmalte. Limpie las manchas de inmediato. No utilice esponjas o paños húmedos en la porcelana caliente. Aplique siempre los limpiadores abrasivos de forma suave, sin ejercer mucha presión
Mandos de control (acero inoxidable)	Agua caliente con jabón. Aclare y seque bien. Si es necesario, retire los mandos (tirando de ellos hacia arriba).	No moje los mandos. No utilice productos de limpieza o estropajos abrasivos. No fuerce los mandos. Para extraer los mandos, tire de ellos hacia arriba, de forma perpendicular al panel en el que se alojan. Cuando vuelva a colocar los mandos en su lugar, asegúrese de que los coloca en la posición de APAGADO. No extraiga los precintos que hay debajo de los mandos
Acabado exterior (acero inoxidable)	Limpiadores no abrasivos: agua caliente y detergente, Fantastic®, Formula 409. Aclare y seque de inmediato. Abrillantador Stainless Steel Magic® para proteger el acabado de manchas y marcas y mejorar su aspecto. Marcas de cal: vinagre blanco de cocina. Limpiadores abrasivos suaves: Kleen King® stainless steel liquid cleaner, Cameo® aluminium & stainless steel, Bon Ami®. Para decoloración por calor: Bar Keepers Friend®.	El acero inoxidable es muy resistente a la mayoría de las manchas de comida y a las rayaduras, siempre y cuando la superficie se mantenga limpia y protegida. No permita que las manchas de comida o sal permanezcan durante mucho tiempo sobre el acero inoxidable. Frote con suavidad siguiendo la dirección del acabado del acero. El cloro o los compuestos de cloro son corrosivos para el acero inoxidable. Compruebe los componentes de sus productos de limpieza antes de utilizarlos. Aplique los limpiadores abrasivos ejerciendo la mínima presión posible.
Encendedores (cerámica)	Límpielos cuidadosamente con un poco de algodón humedecido con agua, amoníaco o Fórmula 409®. Raspe con cuidado la suciedad con un mondadientes.	Evite utilizar demasiada agua para limpiar el encendedor. Un encendedor húmedo no conseguirá encender el quemador. Retire cualquier hilo de algodón que pueda quedar después de la limpieza.

Antes de llamar y solicitar el servicio, controle lo siguiente para evitar cargas de servicio innecesarias.

PROBLEMA	PASOS PARA RESOLVER LOS PROBLEMAS
La pantalla del horno se queda apagado	Apague la corriente general (caja de fusibles o cortocircuito). Vuelva a conectar el circuito. Si la condición sigue igual, llame el centro de servicio autorizado.
El ventilador de enfriamiento sigue funcionando después de apagar el horno	Esto es normal. El ventilador se apaga automáticamente cuando los componentes electrónicos se hayan enfriado suficientemente.
Las luces del horno no funcionan correctamente	Reemplace o reinserte el foco si está flojo o defectuoso. Vea la Pág. 16. La bombilla se puede quemar si lo toca con los dedos.
La luz del horno se queda encendida	Compruebe si hay obstrucciones en la puerta del horno. Compruebe si la bisagra está doblada o el cerrojo de la puerta está roto. Asegúrese también que las perillas de función estén en la posición 'OFF'.
No se puede quitar la cubierta del lente	Puede haber sólidos acumulados alrededor de la cubierta. Limpie el área del lente con una toalla seca y limpia antes de tratar de quitar la cubierta de la lente.
Hay mucha humedad	Cuando utiliza el modo de hornear debe precalentar el horno. El horneado de convección elimina cualquier humedad en el horno (esta es una de las ventajas de la convección).
Astillas de porcelana	Al quitar y reemplazar las rejillas del horno, siempre debe inclinarlas hacia arriba y no forzarlas para evitar astillar la porcelana.
La ignición no funciona	
Está la placa bien enchufada?	Enchufe el aparato a un enchufe con toma de tierra.
Ha revisado los fusibles y ha comprobado que no haya saltado ningún diferencial?	Sustituya los fusibles de la caja general o compruebe si se ha disparado el automático o un diferencial en la caja general de entrada.
Los quemadores no funcionan	
Es la primera vez que utiliza los quemadores?	Gire cualquiera de los mandos para liberar aire de los conductos de gas.
Los mandos están bien colocados?	Presione los mandos antes de girarlos.
Están obstruidas las ranuras de los quemadores?	Lea la sección "Los quemadores".
Las llamas de los quemadores son irregulares, amarillas o hacen ruido	
Están obstruidas las ranuras de los quemadores?	Lea la sección "Los quemadores".
Están bien colocadas las tapas de los quemadores?	Lea la sección "Los quemadores".
Está utilizando gas propano?	Puede que la placa de cocción no haya sido adaptada de forma correcta. Llame al servicio técnico.
Los quemadores hacen un ruido burbujeante	
Están mojados o húmedos?	Deje que se sequen.
Están las tapas y el difusor de llama bien colocados?	Asegúrese de que están bien alineados. Lea la sección "Los quemadores".
Hay demasiado calor alrededor de la sartén	
La sartén es del tamaño adecuado?	Utilice una sartén u olla aproximadamente del mismo diámetro del de la superficie de la zona de cocción. El diámetro de la llama no debe superar el del recipiente y el recipiente no debe sobresalir más de 2,5 cm de la zona de cocción.

PROBLEMA	PASOS PARA RESOLVER LOS PROBLEMAS
Los resultados no son los que cabía esperar	
Está utilizando los recipientes adecuados?	Lea la sección "Recipientes de cocina".
La intensidad del quemador está graduada correctamente?	Lea la sección "Uso de los mandos".

Antes de ponerse en contacto con el servicio de asistencia técnica, lea la sección "Solución de problemas". Puede que hacerlo le ahorre la llamada. Si no encuentra la solución a su problema en esta sección, siga las instrucciones que encontrará más abajo. Cuando llame al servicio de asistencia, tenga a mano los siguientes datos: fecha de compra, referencia completa del modelo y número de serie de su placa de cocción. Esa información nos ayudará a atenderle.

Registro de datos para el servicio

Cómo obtener servicio Para información sobre servicio autorizado o refacciones, ver el párrafo "GARANTÍA para electrodomésticos".

Para la ubicación de etiquetas de serie vea la página 6. Ahora es un buen momento para anotar esta información en el espacio proporcionado abajo. Guarde su factura para validar la garantía.

Service Data Record
Número del Modelo _____
Número de Serie _____
Fecha de instalación y ocupación _____

FULGOR MILANO
