

# 24" FRIDGE COLUMN

BUILT-IN FRIDGE COLUMN



CODE ID

**F7IRC2401-R** ( RIGHT HINGE )

CODE ID

**F7IRC2401-L** ( LEFT HINGE )



RIGHT HINGE



LEFT HINGE



Total No Frost



LED lighting



Integrated Installation



Holiday Mode



Ice Maker



Sabbath Mode

## Features

Our overlay column refrigerators are as beautiful as they are functional. Custom panels can be installed to provide a completely integrated look with adjacent cabinets and feature a brilliant white aluminum interior with brushed aluminum and stainless accents. Food preservation is the name of the game, by combining elegant design and commercial quality to ensure the highest performance preserving the organoleptic qualities of your precious ingredients. A dedicated compressor and evaporator provide consistent and precise temperatures throughout.

## SPECIFICATIONS

Panel Ready Exterior  
Microbeaded stainless steel crisper drawers with soft closing  
Height adjustable glass shelves  
Luminous white interior  
Multilevel LED lighting

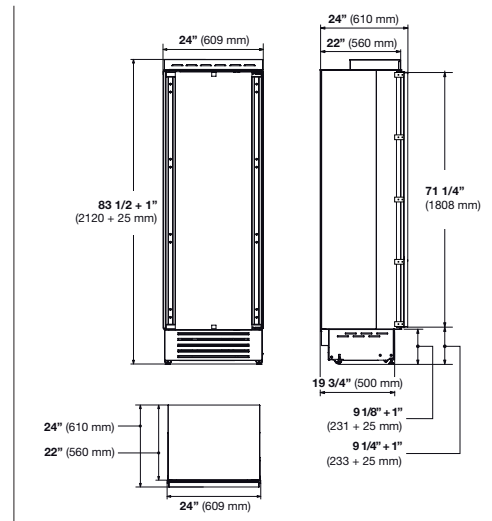
## OPTIONAL ACCESSORIES

REFHANDPROCOL  
Sofia Professional Handle Kit

REFHANDISCOL  
Distinto Handle Kit

# REFRIGERATION

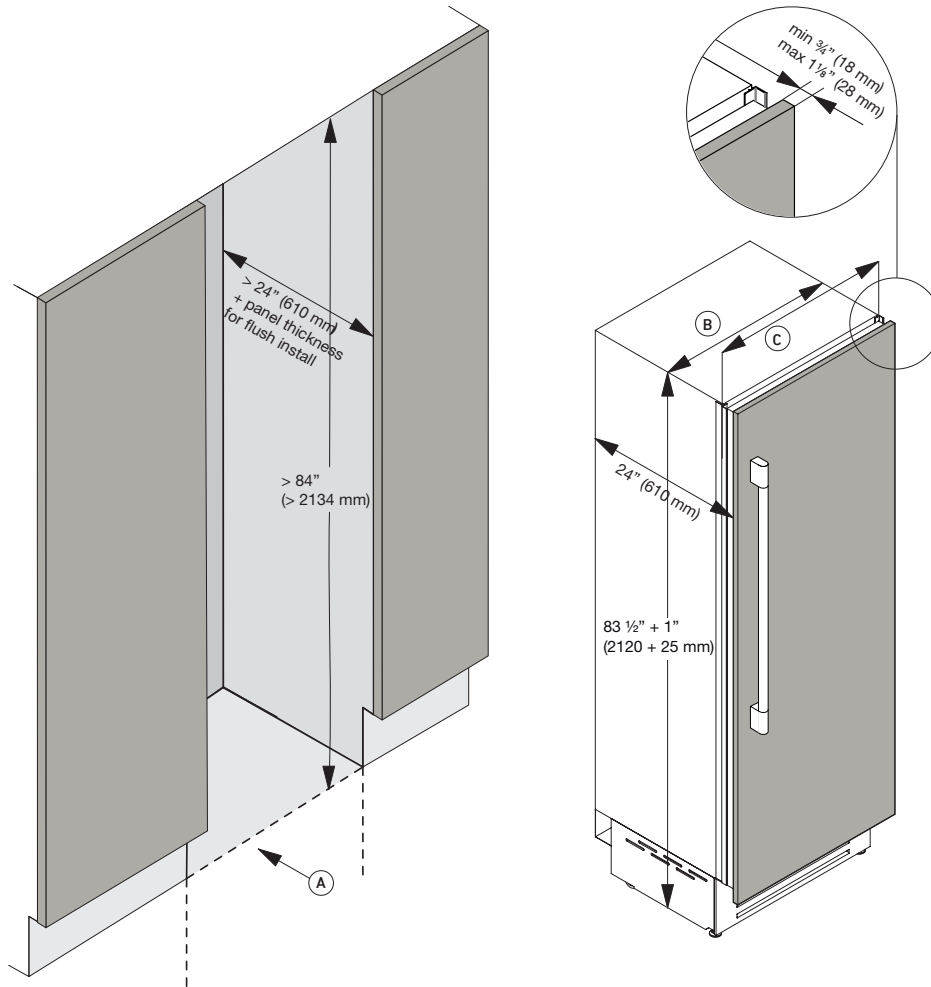
## BUILT-IN FRIDGE COLUMN



CODE ID		24" OVERLAY BUILT-IN FRIDGE F7IRC24O1-L (LEFT HINGE) F7IRC24O1-R (RIGHT HINGE)	
Finish	Panel Ready Exterior		
<b>PERFORMANCES/CAPACITY</b>			
Annual Energy Usage	296 kWh/yr		
Interior capacity (cbft)	13.03		
<b>FEATURES</b>			
Shelves	3		
Adjustable Door Bins	3		
Crisper Drawers	3		
LED lighting	•		
No Frost	•		
<b>DIMENSIONS/WEIGHT</b>			
Width in	24"	809 mm	
Height in	83 - 1/2"	2120 mm	
Depth without handle in	24"	610 mm	
Minimum niche height in	84 - 1/2"	2145 mm	
Door clearance in	46 - 3/4"	1187 mm	
Door opening angle	100°		
Net Weight	311 lbs	141	kg
<b>POWER / RATINGS (115 V, 60 HZ)</b>			
Watts / Amps	163W - 1.5A		
Power Cable	Nema 5-15P		
<b>INSTRUCTIONS FOR USE</b>			
Use & Care Manual / Installation Manual	English / French / Spanish		

# BUILT-IN FREEZER 24"

NICHE SPECIFICATIONS AND DIMENSIONS



## TECHNICAL DATA

(A) Niche Width	24" (610 mm)
(B) Unit Width	23" 1/8 (587 mm)
(C) Unit Width with lateral frames	24" (609 mm)

## ELECTRICAL AND WATER CONNECTIONS

