

## 22" OVERLAY BUILT-IN FRIDGE

### FM4BM22FBI

#### CONTROL

Cooling system	Frost Free
Control system	Electronic

#### CAPACITIES

Total net volume, cu. ft. (liters)	9.2 (260)
Fresh food net volume, cu. ft. (liters)	6.9 (195)
Freezer net volume, cu. ft. (liters)	2.3 (65)

#### FRIDGE FEATURES

Control Display	Digital
Automatic Defrost	Yes
Interior Lighting	LED
Shelves	3 glass
Crispers	2 transparent
Door Bins	3
Compressor	Variable speed with inverter (VCC)
Fan Assisted Cooling	Yes
Air Duct Cover	Stainless

#### FREEZER FEATURES

Automatic Defrost	Yes
Freezer Drawer	3 transparent

#### TECHNICAL INFORMATION

Dedicated Circuit, V/Amps	120/15
Supply voltage, V/Hz	115/60
Rated Current, Amps	2
Noise level, dB(A)	41

#### DIMENSIONS

Product H x W x D, in (mm)	69- <sup>5</sup> / <sub>8</sub> x 21- <sup>3</sup> / <sub>8</sub> x 21- <sup>3</sup> / <sub>4</sub> (1769 x 540 x 550)
Package H x W x D, in (mm)	72- <sup>1</sup> / <sub>2</sub> x 22- <sup>1</sup> / <sub>2</sub> x 22- <sup>5</sup> / <sub>8</sub> (1840 x 570 x 573)
Product weight, lbs (kg)	127.9 (58)
Packed weight, lbs (kg)	138.9 (63)

#### PERFORMANCE

Energy Star Qualified	Yes
Refrigerant	R600a

#### FINISH OPTIONS

Stainless	No
Panel Ready	Yes



#### APPLIANCE HIGHLIGHTS

- Contemporary European design
- Hettich™ hinge, allowing true integrated install
- Digital display
- Easy-glide crisper
- Holiday mode / ECO mode
- Temperature alarm
- Super cool / Super freeze function
- Glass shelves
- LED lighting
- Field reversible doors
- 3D door adjustment, for easy door panel alignment
- Ultra quiet 41 dB(A)

#### RECOMMENDED PANEL DIMENSIONS

##### Fridge Panel

Height, in (mm) 42-<sup>7</sup>/<sub>8</sub> (1088)  
 Width, in (mm) 23-<sup>1</sup>/<sub>4</sub> (590)  
 Thickness, in (mm) Minimum <sup>3</sup>/<sub>4</sub> (19) - Maximum 1-<sup>1</sup>/<sub>4</sub> (32)  
 Maximum Weight, lbs (kg) 46 (20)

##### Freezer Panel

Height, in (mm) 27-<sup>1</sup>/<sub>2</sub> (715)  
 Width, in (mm) 23-<sup>1</sup>/<sub>4</sub> (590)  
 Thickness, in (mm) Minimum <sup>3</sup>/<sub>4</sub> (19) - Maximum 1-<sup>1</sup>/<sub>4</sub> (32)  
 Maximum Weight, lbs (kg) 46 (20)



LED Lighting



Total No Frost



Noise Level 41dB(A)



Active Cooling



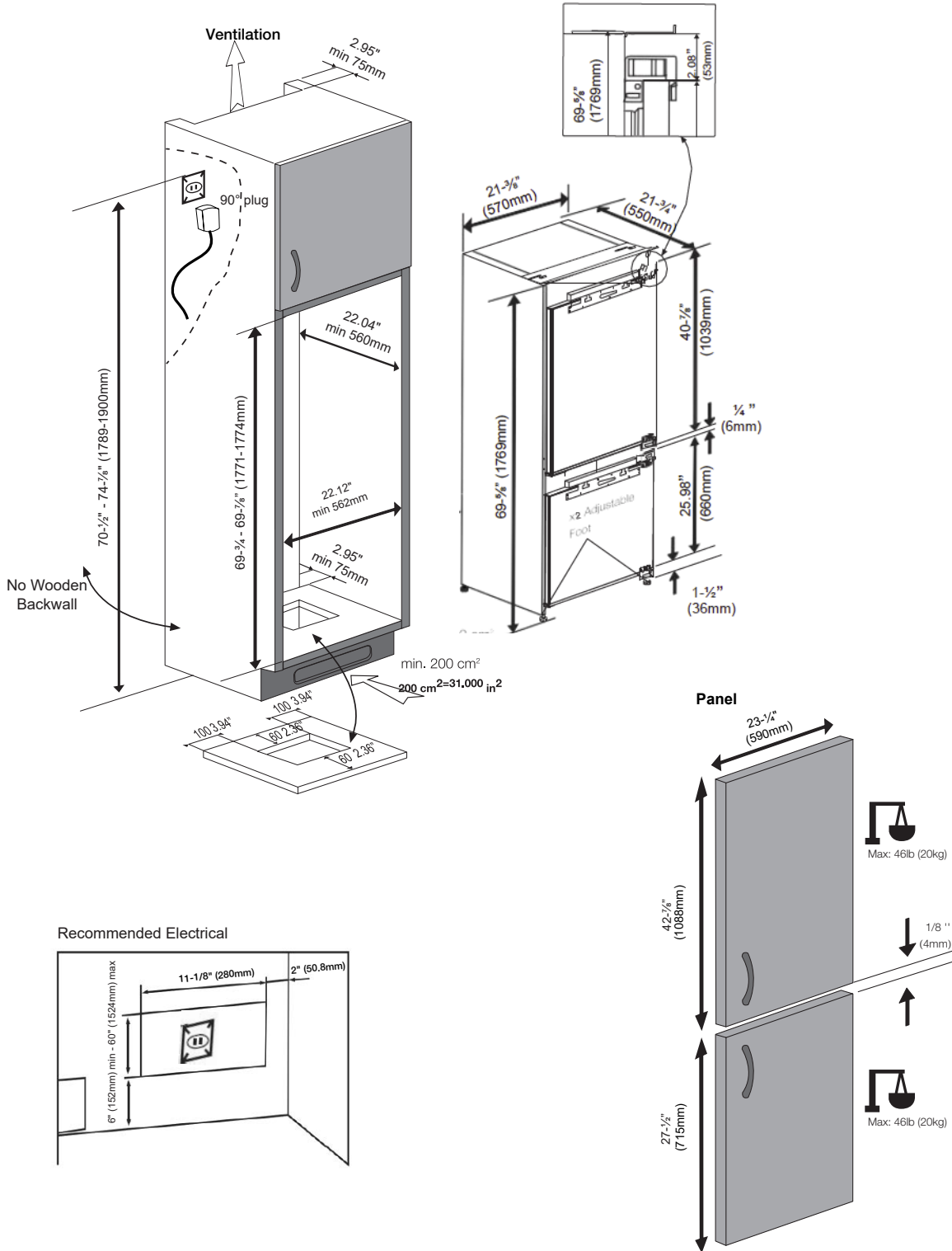
Integrated Installation

#### Installation Note:

For the most up-to-date information of any of the products in this manual, please visit [www.fulgor-milano.us](http://www.fulgor-milano.us), or call your local dealer prior to final installation of the product. Fulgor Milano reserves the right to make updates to the information and products or discontinue models without notice. Any information regarding applicable limited warranty may be found in accompanying product materials or call your local dealer for further details. Proper installation is responsibility of the installer. Fulgor Milano declines all responsibility for damages to products, property, or people deriving from incorrect installation or improper, erroneous or unsuitable use. All product dimensions are noted in inches and metric units.

**22" OVERLAY BUILT-IN FRIDGE**

**FM4BM22FBI**



**Installation Note:**

For the most up-to-date information of any of the products in this manual, please visit [www.fulgor-milano.us](http://www.fulgor-milano.us), or call your local dealer prior to final installation of the product. Fulgor Milano reserves the right to make updates to the information and products or discontinue models without notice. Any information regarding applicable limited warranty may be found in accompanying product materials or call your local dealer for further details. Proper installation is responsibility of the installer. Fulgor Milano declines all responsibility for damages to products, property, or people deriving from incorrect installation or improper, erroneous or unsuitable use. All product dimensions are noted in inches and metric units.