

28" OVERLAY BUILT-IN FRIDGE



CODE ID

DISTINTO BUILT-IN FRIDGE

FM4BM28IFBI



LED lighting



Total No Frost



Noise Level 39 (dB)



Active cooling



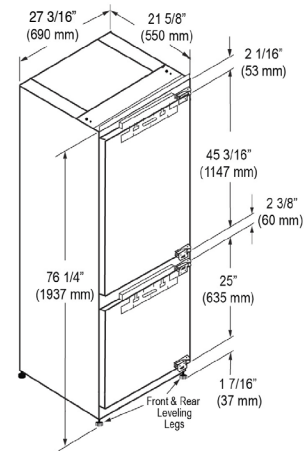
Integrated Installation

SPECIFICATIONS

Contemporary European design
Hettich™ hinge, allowing true integrated install
Digital display
Easy-glide crisper
Holiday mode / ECO mode
Temperature alarm
Super cool / Super freeze function
Glass shelves
LED lighting
Field reversible doors
Ultra quiet 39 dB(A)
3D door adjustment, for easy door panel alignment
Automatic Ice Maker & Ice Cube Tray

DISTINTO

28" OVERLAY BUILT-IN FRIDGE



CONTROL		28" OVERLAY BUILT-IN FRIDGE FM4BM28IFBI	
Cooling system / Control system	Frost Free / Electronic		
CAPACITIES			
Total net volume cu. ft. (L)	12 (341)		
Fresh food net volume cu. ft. (L)	9 (257)		
Freezer net volume cu. ft. (L)	3 (84)		
FRIDGE FEATURES			
Control Display	Digital		
Automatic Defrost / Interior Lighting	Yes / LED		
Shelves / Crispers / Door Bins	4 Glass / 2 Transparent / 4		
Compressor	Variable speed with inverter (VCC)		
Fan Assisted Cooling / Air Duct Cover	Yes / Stainless		
FREEZER FEATURES			
Automatic Defrost / Freezer Drawer	Yes / 3 Transparent		
Automatic Ice Maker / Ice Cube Tray	Yes / Yes		
TECHNICAL INFO			
Dedicated Circuit, V/Amps	120 / 15		
Supply voltage, V/Hz	120 / 60		
Rated Current, Amps	0.8		
Noise level, dB(A)	39		
DIMENSIONS			
Product H x W x D, in (mm)	76-1/4 x 27-3/16 x 21-5/8 (1937 x 690 x 550)		
Package H x W x D, in (mm)	78-3/4 x 28-3/4 x 22-15/16 (2000 x 730 x 583)		
Product weight, lbs (kg)	148 (67)		
Packed weight, lbs (kg)	159 (72)		
Recommended Fridge Panel			
Height	Min 49 - 7/16" Max To be defined by application	Min 1255 mm Max To be defined by application	
Width	* see "Door Overlay Calculations"		
Thickness	Min 3/4" Max 1-1/4"	Min 19 mm Max 32 mm	
Maximum Weight	46 lbs	20 kg	
Recommended Freezer Panel			
Height	Min 28 - 1/8" Max To be defined by application"	Min 715 mm Max To be defined by application"	
Width	* see "Door Overlay Calculations"		
Thickness	Min 3/4" Max 1-1/4"	Min 19 mm Max 32 mm	
Maximum Weight	46 lbs	20 kg	
PERFORMANCE			
Energy Star Qualified / Refrigerant	Yes / R600a		
FINISH OPTIONS			
Stainless / Panel Ready	No / Yes		

* Door Overlay Panel Width Calculations;
+outside cabinet dimension
-gap space between cabinet doors/drawers walls (1/16" to 1/8" each side).
= overall door overlay panel width