

# 24" COMBI STEAM OVEN



CODE ID

700 SERIES OVEN

**F7SCO24S1**



## CREACTIVE COOKING SYSTEM



Steam Cooking



Steam Limescale Filter



Fingerprint-proof Stainless Steel



Automatic Cleaning Programs



Meat Probe



Stainless Steel Racks



Multi-level Cooking



True Convection

## SPECIFICATIONS

### OVEN

12 functions  
Automatic cooking with pre-selected recipes which can be customizable (weight, temperature, cooking time)  
Steam system  
Combined cooking functions  
Steam recovery cycle  
CLEAN, assisted cleaning cycle for oven interior and steam circuit

### FEATURES

Control panel with touch controls  
Magnetic water filter  
Stainless steel interior  
Internal lighting  
Internal capacity 1.2 cu.ft  
Steam Generator

### SAFETY

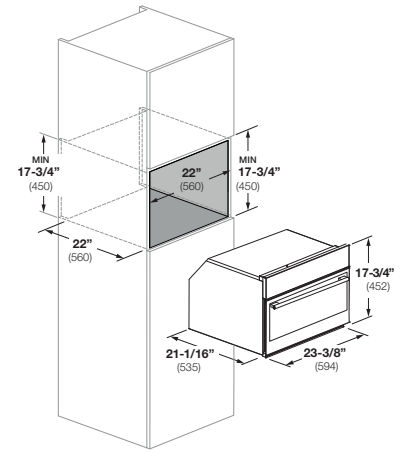
Safety door - Door contact switch  
Control panel safety function  
Tangential cooling fan

### INCLUDED ACCESSORIES

Meat probe  
1 micro-perforated pan with stainless steel cover  
1 stainless steel tray  
1 flat rack  
Water tank  
Power cord with plug

# DISTINTO

## 24" COMBI STEAM OVEN



CODE ID	24" COMBI STEAM OVEN F7DSCO24S1	
Series	700	
Finish	Stainless Steel	
<b>CONTROL PANEL</b>		
Programming	MODULAR - Electronic	
Control Type	Single Full Touch Keyboard	
Automatic Cooking	•	
Auto power off	•	
<b>OVEN</b>		
Type	Steam Oven	
Interiors	Stainless Steel	
Pull-down Door	•	
<b>MAIN FEATURES</b>		
Gross Capacity (cu.ft)	1.2	
Usable Capacity (cu.ft)	1.0	
Tangential cooling ventilation	•	
Total no. of modes	12	
<b>PERFORMANCE</b>		
Maximum cooking temperature	230°C / 446°F	
Automatic Cooking	•	
Steam 210°F / 270°F	•	
Steam Injection 210°F	•	
Steam + Fan Assisted	•	
Assisted Cleaning (CLEAN)	•	
Power Output Grill (W)	1500	
Oven Lights	1x20W Halogen	
Broil Upper Heating Element	1500W (240V)	
Steamer	1500W (240V)	
Lower Element Wattage	300W (240V)	
Convection Element Wattage	2300W (240V)	
<b>SAFETY</b>		
Safety Door/ no. Panes of Glass	•/3	
Control Lock	•	
<b>ACCESSORIES</b>		
No. of Lights (20 W halogen)	1	
Removable tank (liters / fl oz)	1.4 / 45	
No./Type of Gastronorm Trays	2 / Stainless Steel	
Grey Metal Flat/no. of Supports	1 / 1	
<b>DIMENSIONS / WEIGHT</b>		
Width in/mm	23 - 3/8"	594 mm
Height in/mm	17 - 3/4"	452 mm
Depth in/mm	21 - 1/2"	546 mm
Recess (LxHxP) in/mm	(23 - 3/8" x 18" x 22")	(560 x 458 x 560 mm)
<b>POWER / RATINGS</b>		
KW/Amps rating at 240V, 60Hz	3.3kW - 13.7A	
KW/Amps rating at 208V, 60Hz	2.48kW - 11.9A	
Power Cord	Cable + Conduit	
<b>INSTRUCTIONS FOR USE</b>		
Use & Care Manual / Installation Manual	English / French / Spanish	