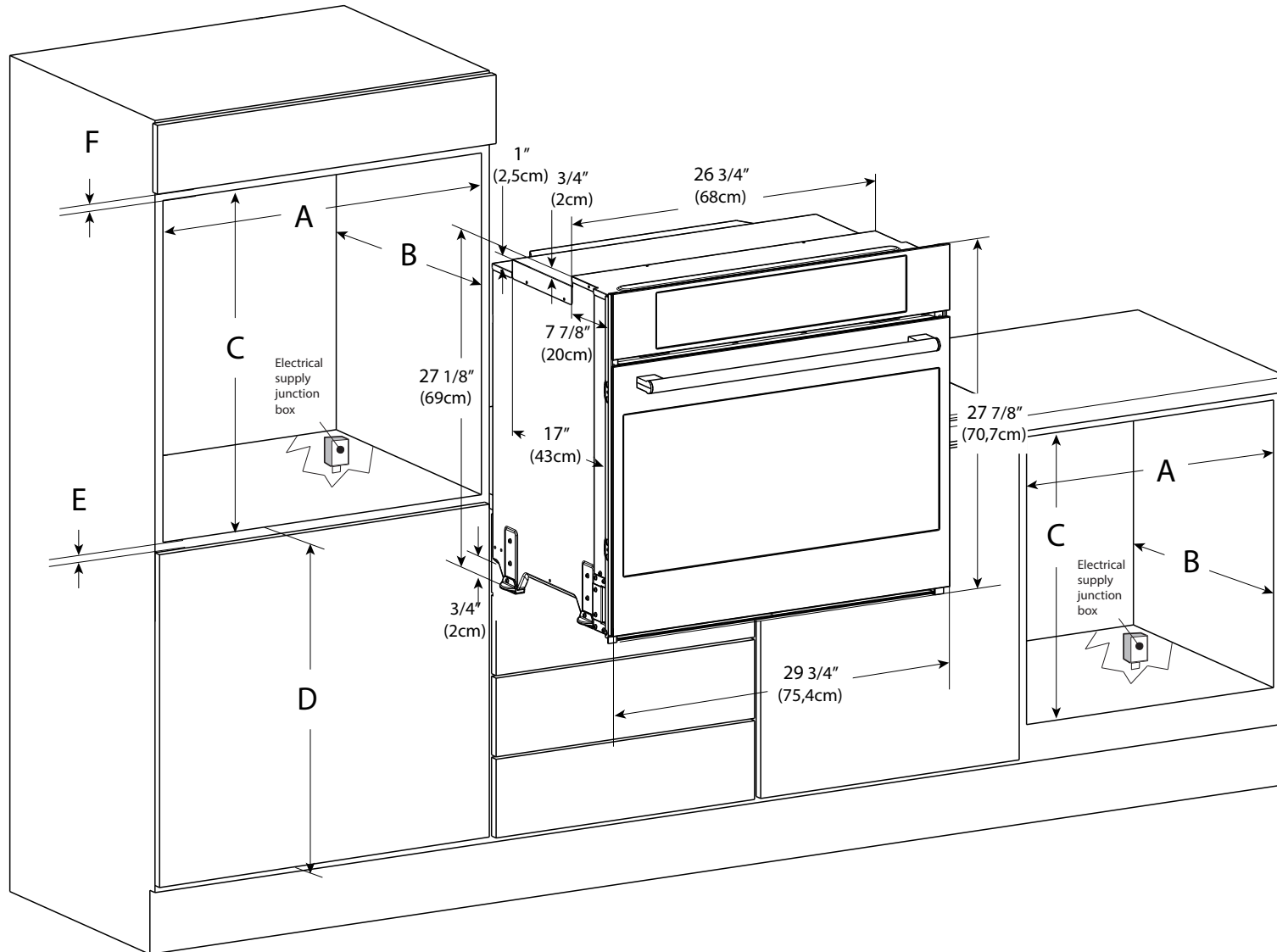


FULGOR

MILANO

30" Wall Single Oven 400/600/700 SERIES

Weight & Dimensions



Ltr.	CUTOUT DIMENSION	inch	cm
A	Cutout Width	28 7/16"	72,2cm
B	Cutout Depth	24"	61cm
C	Cutout Height	27 3/8"	69,5cm
D	Floor Bottom of Cutout	34"	86,5cm
E	Minimum Spacing	1/2"	1,3cm
F	Minimum Spacing	3/4"	1,9cm

PACKAGING		lb / inch	Kg / mm
GROSS WEIGHT		181 lb	82 Kg
DIMENSION	W	33"1/2	850
	D	30"5/1	770
	H	31"1/8	790

