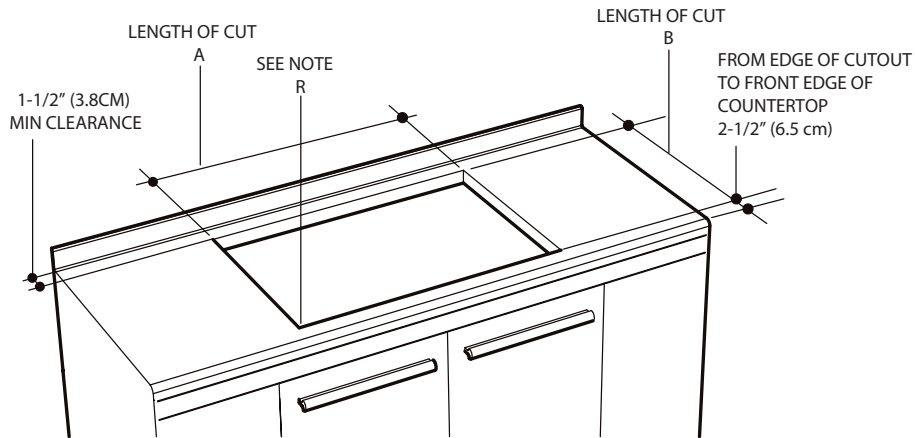


FULGOR MILANO

36" Induction Cooktop 700 SERIES

Weight & Dimensions

CUTOUT DIMENSION



CUTOUT REQUIREMENTS

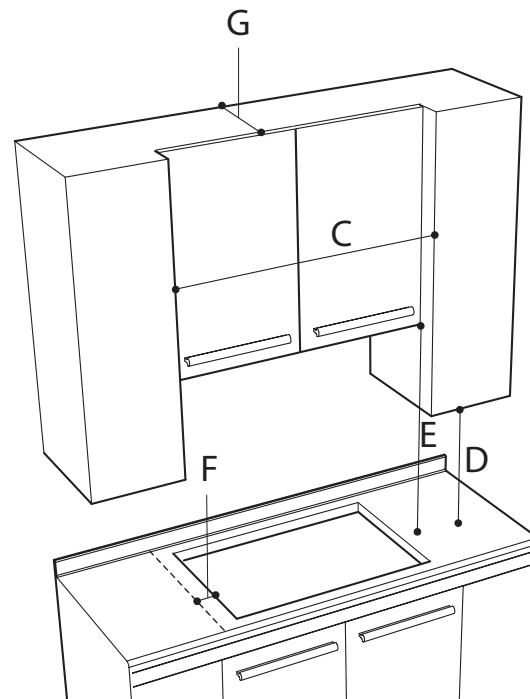
NOTE

R

Radius corners of cutout and file to insure smooth edges and prevent corner cracking. Recommend 1/4" or 3/8" diameter drill in each.

* NOTE

24" (61 cm) min. clearance if bottom of wood or metal cabinets is protected by not less than 1/4" (0.6 cm) flame retardant millboard covered with no less than No. 28 MSG sheet steel 0.015" (0.04 cm) stainless steel, or 0.024" (0.06 cm) aluminum or 0.020" (0.05 cm) copper. 30" (76.2 cm) min. clearance between top of cooking platform and bottom of unprotected wood or metal cabinet.



WALL COVERING CABINETS, AND COUNTERTOP MUST WITHSTAND HEAT UP TO 93° C (200° F)

Ltr.	CUTOUT DIMENSION	inch	cm
A	Cutout Width	34-5/8" +/- 1/16"	87,9 +/- 0.1
B	Cutout Depth	19-7/16" +/- 1/16"	49,4 +/- 0.1
C	Opening between cabinets	Min 36" min	Min 91.4
D	Height from countertop to nearest cabinet on either side of unit	Min 18"	Min 45.7
E	Clearance from countertop to unprotected overhead surface	Min 30"	Min 76.2
F	Clearance from cutout to side wall on the left and right of the unit	Min 2"	Min 5
G	Depth of unprotected overhead cabinets	Min 13"	Min 33

PACKAGING		lb / inch	Kg / mm
GROSS WEIGHT		51 lb	22.9 Kg
DIMENSION	W	40"1/2	1030
	D	23"1/2	598
	H	7"1/4	185

