

# OVEN 100 SERIES 30"



CODE ID

30" MULTIFUNCTION EASY-CLEAN OVEN

**F1SM30S3**



Convection



Multi-level cooking



Cool Touch Door



Interior Lighting

## SPECIFICATIONS

### OVEN

Knob and electronic controls  
Black Porcelain enamel interior  
2 Halogen lights  
Gross capacity 3.0 cu. ft.  
2 chrome racks  
Enameled Grill basin

### OVEN FUNCTIONS

Convection Bake  
Convection Broil  
Convection Roast  
Bake  
Broil  
Lower Conv. Bake

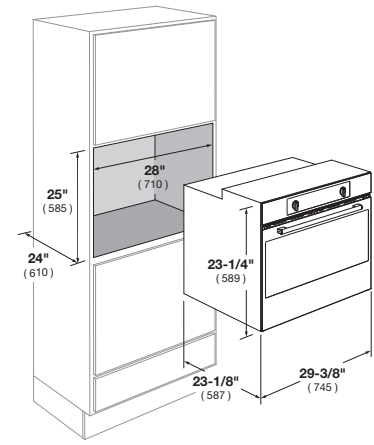
## OPTIONAL ACCESSORIES

FMTR 130

Telescopic rack

# DISTINTO

## MULTIFUNCTION EASY-CLEAN OVEN



CODE ID	30" MULTIFUNCTION EASY-CLEAN OVEN F1SM30S3	
Series	100	
Finish	Stainless Steel	
<b>CONTROL PANEL</b>		
Control Type	2 Knobs / 3 Touch Buttons	
Display: Clock - Timer	White LED	
<b>OVEN</b>		
Type	Electronic	
Temperature Regulation	Electro-Mechanical Control (min/max 120/540°F - 50/285°C)	
<b>OVEN FUNCTIONS</b>		
	Convection	Bake
	Convection Bake	Oven Lights
	Convection Broil	Broil
	Convection Roast	
<b>OVEN DOOR(S)</b>		
Oven Glass Window	Large See Through Glass	
Door Cooling System	3 Heat Resistant Glasses	
Door Hinges	Heavy Duty Steady Tilt	
Handle Style	Tubular Steel	
<b>OVEN CAVITY</b>		
Gross Capacity (cbft)	3.0	
Usable Capacity (cbft)	2.8	
Cavity Enamel Color	Black	
Rack Positions	4	
Oven Lights	2x20W Halogen	
<b>HEATING ELEMENTS (@240V)</b>		
Broil Upper Heating Element	3100 W	
Upper Auxiliary Element	1032 W	
Lower Auxiliary Element	-	
Concealed Bake Lower Heating Element	2100 W	
Convection Element	-	
<b>OVEN ACCESSORIES</b>		
Chrome Racks	2	
Enameled Broiler Pan (basin + anti splash)	1 (basin only)	
Telescopic Chrome Rack	Optional	
<b>DIMENSIONS/WEIGHT</b>		
Overall dim - Width	29 - 3/8"	745 mm
Overall dim - Height	23 - 3/16"	589 mm
Overall dim - Depth	22 - 1/16"	560 mm
Cut-out - Width	28"	710 mm
Cut-out - Height (min)	23"	585 mm
Cut-out - Depth (min)	24"	610 mm
Gross Weight	148 lbs	67 kg
<b>POWER / RATINGS (208/240 V, 60 HZ)</b>		
kW / Amps rating at 120-240V, 60Hz	3.63kW - 15.6A	
kW / Amps rating at 120-208V, 60Hz	2.76kW - 13.7A	
Power Cable	Conduit	
<b>INSTRUCTIONS FOR USE</b>		
Use & Care Manual / Installation Manual	English / French / Spanish	