

# Installation Instructions

GPF825B, Black Trim Kit  
GPF825C, Bisque Trim Kit  
GPF825W, White Trim Kit

## GPF825 Series Kits

Before you begin – Read these instructions completely and carefully.

**IMPORTANT:** Save these instructions for local inspector's use.

**IMPORTANT:** OBSERVE ALL GOVERNING CODES AND ORDINANCES.

**NOTE TO INSTALLER:** Be sure to leave these instructions with the Consumer.

**NOTE TO CONSUMER:** Keep these instructions with your Owner's Manual for future reference.

### WARNING



To prevent electric shock, disconnect electrical power supply to dishwasher before changing panels. Do not operate dishwasher while changing panel.



### CAUTION

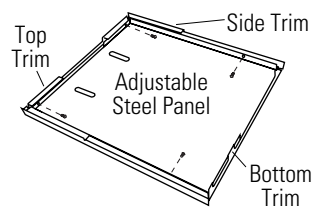
On new installations, do not remove wood base until you are ready to install the dishwasher. The dishwasher will tip over when the door is opened.

### Tools and Materials Required:

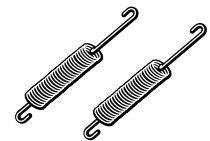
- Stubby Phillips screwdriver
- Gloves to protect against sharp edges
- Safety glasses

The GPF825 trim kits provide for the installation of a 1/4" thick custom door panel.

This kit includes:



Fully Assembled Door Panel Frame



2 Door Springs  
To Be Used On All Models  
Except PDW8500

## STEP 1 CUT 1/4" THICK CUSTOM PANEL TO SIZE

- Cut door panel to the dimensions shown in Figure 1.

**NOTE:** The trim provided will conceal the cut edges of the panel.

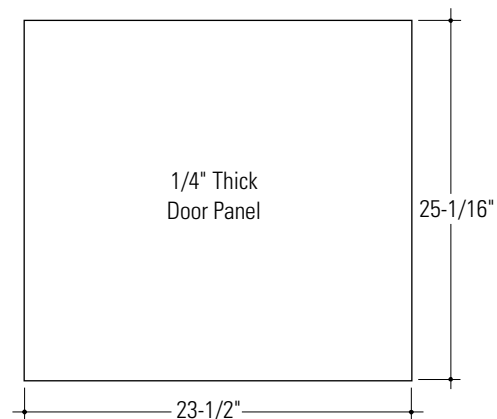


Figure 1

## STEP 2 REMOVE DOOR PANEL

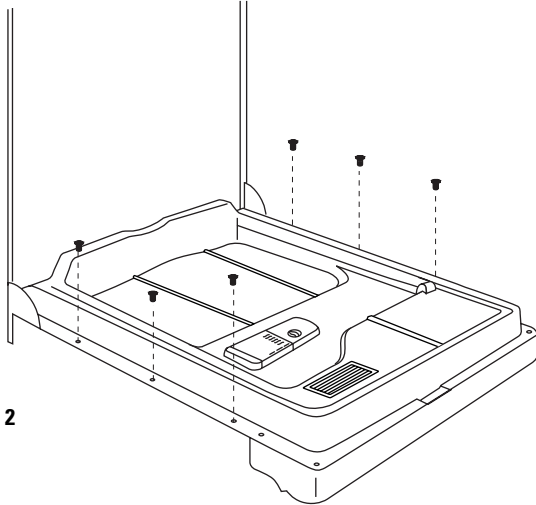


Figure 2

- Open dishwasher door.
- Remove the 6 Phillips head screws along the sides of the door (Figure 2) holding the inner door to the outer panel. Retain screws.

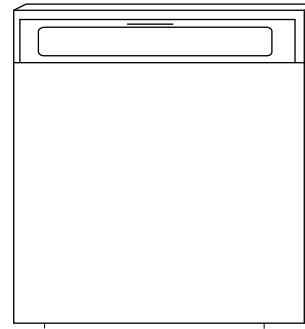


Figure 3

Bottom  
Phillips Screws

- Remove the two screws on the bottom of the door panel (Figure 3). Retain screws.
- Remove door panel.

## STEP 3 ASSEMBLE PANEL AND TRIM FRAME

- Remove the protective plastic covering from the top, sides and the front trim frame pieces.

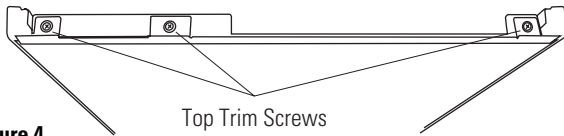


Figure 4

Top Trim Screws

- Remove the 3 screws holding the top trim to the steel panel (Figure 4). Set aside the top trim piece and the 3 screws.

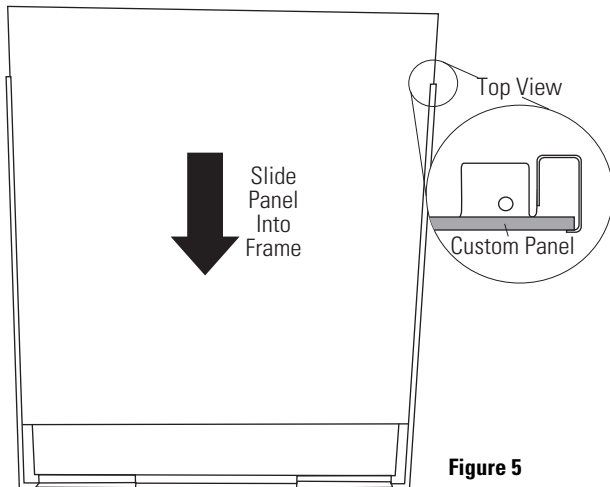


Figure 5

- Slide the 1/4" custom panel into the channel between the trim and the steel panel (figure 5).

- Loosely assemble the top trim to the steel panel with the 3 original screws.

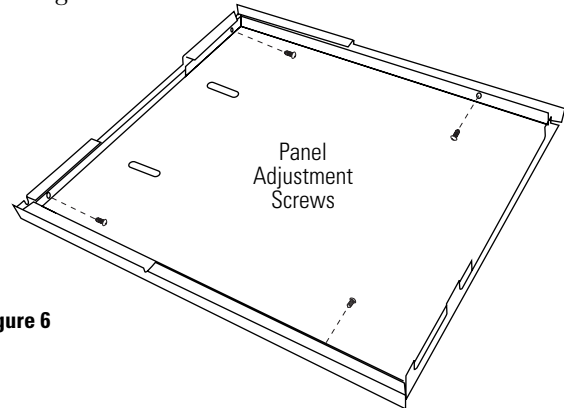


Figure 6

Panel  
Adjustment  
Screws

- Place the assembled panel, appearance side down on a flat protected surface. Be careful not to scratch the custom panel or the trim.
- Loosen one of the 4 screws that holds the steel panel to the trim (Figure 6). Press the steel panel against the custom panel and retighten the screw. Repeat this adjustment to the remaining 3 screws.
- Press the top trim piece flush against the custom panel and tighten all 3 top trim screws.

## STEP 4 INSTALL THE ASSEMBLED PANEL

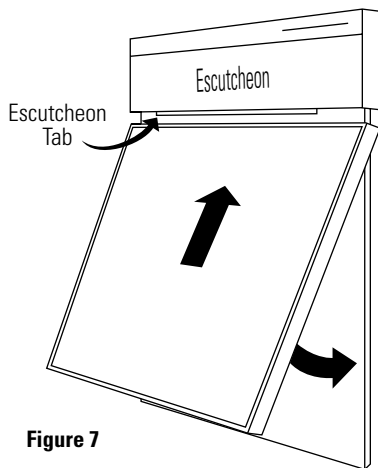


Figure 7

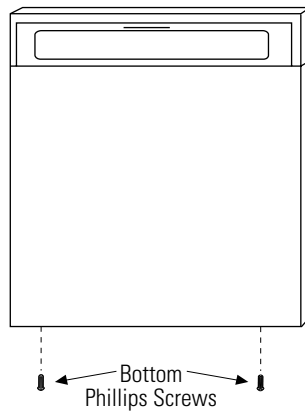


Figure 8

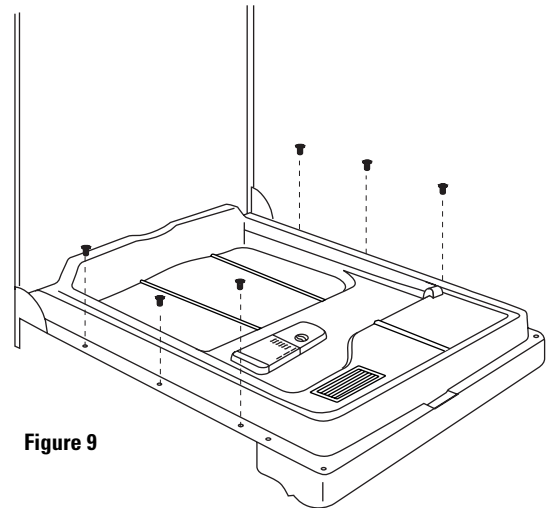


Figure 9

- Close the dishwasher door.
- Slide the panel assembly into the escutcheon tab (Figure 7).
- Reinstall the two screws at the bottom of the door to hold the assembly to the hinge arms (Figure 8).
- Open the dishwasher door and reinstall the original 6 Phillips head screws to hold the inner door to the trim kit assembly (Figure 9).
- Close the door.

## STEP 5 REPLACE DOOR SPRINGS

**STEP 5 FOR ALL MODELS EXCEPT PDW8500. GO TO STEP 5A FOR PDW8500.**

**BEFORE YOU BEGIN: Close and latch the door.**

- Remove 2 screws securing the dishwasher to the underside of the countertop and or sides. Retain screws.
- Carefully pull dishwasher out from the cabinet enclosure, approximately 10", until door springs are exposed.
- Remove the spring from the right side of the unit first.
- Place the short hook of the new spring in the cable end. Insert the long hook into a notch on the frame bracket.
- Make sure the cable has not slipped off the pulley.
- Repeat the same procedure on the left side of the unit. Both springs should be on the same notch on the frame bracket as shown in Figure 11.

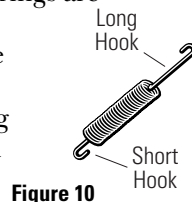


Figure 10

### TEST DOOR BALANCE

Always hold the dishwasher at the top when opening the door. The dishwasher will tip forward when the door is opened.

- Release door latch. Open and release the door. If the door tends to drop when released, increase spring tension. If the door tends to close, decrease spring tension.
- When adjusting tension, both springs must be set to the same position on the side brackets.
- Slide dishwasher back into the original position.

- Check that door springs do not contact water line, fill hose, wiring or other components.
- Reinstall the original top or side mounting screws.
- Turn on water and power.

**Note:** Increase or decrease tension as shown. Adjust both springs to the same tension setting to correct balance.

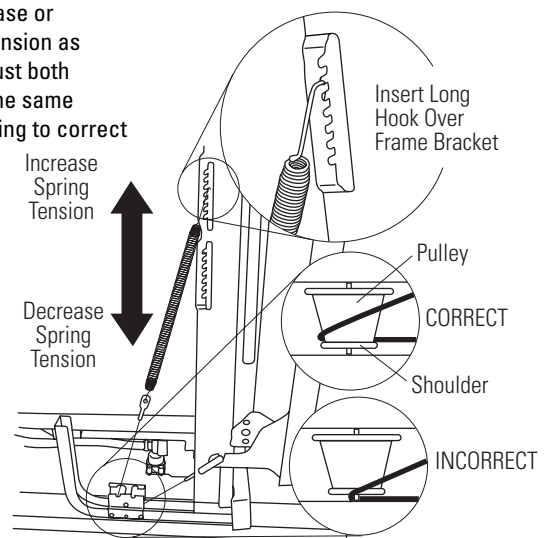


Figure 11

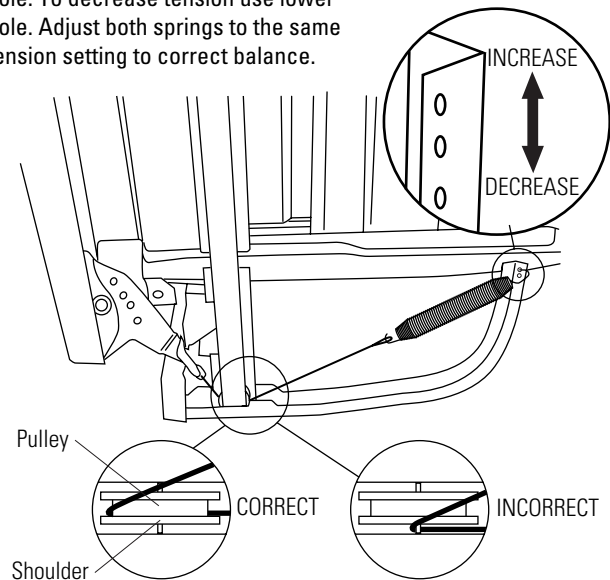
Check to be sure the spring cable is routed correctly before making spring adjustments. The cable is held in place by "shoulders" on the pulley. See Figure 11. Check to be sure the cable has not slipped over the pulley shoulder and onto the axle.

## STEP 5A TEST DOOR BALANCE

### FOR MODEL PDW8500 ONLY

- Release door latch. Open and release the door. If the door tends to drop when released, spring tension needs to be increased. If the door tends to close, the spring tension needs to be decreased.
- If the spring tension needs to be adjusted, first remove 2 screws securing the dishwasher to the underside of the countertop or sides. Retain Screws. Carefully pull dishwasher out from the cabinet enclosure, approximately 20", until door springs are exposed.
- Always hold the dishwasher at the top when opening the door. The dishwasher will tip forward when the door is opened.
- See Figure 12 for adjusting spring tension. When adjusting tension, both springs must be set to the same position on the side brackets.
- Slide dishwasher back into the original position.
- Check that door springs do not contact water line, fill hose, wiring or other components.
- Reinstall the original top or side mounting screws.
- Turn on water and power.

**Note:** To increase tension, use top hole. To decrease tension use lower hole. Adjust both springs to the same tension setting to correct balance.



**Figure 12**

Check to be sure the spring cable is routed correctly before making spring adjustments. The cable is held in place by "shoulders" on the pulley. See Figure 12. Check to be sure the cable has not slipped over the pulley shoulder and onto the axle.