

Installation Instructions

Built-In Dishwashers

See your Owner's Manual for details on how to contact us regarding installation questions

BEFORE YOU BEGIN

Read these instructions completely and carefully.

▲ WARNING

- Remove all power leading to the appliance from the circuit breaker or fuse box before beginning installation. Failure to do so can result in a risk of electrical shock.
- To reduce the risk of electric shock, fire, or injury to persons, the installer must ensure that the dishwasher is completely enclosed at the time of installation.
- The improper connection of the equipment grounding conductor can result in a risk of electric shock. Check with a qualified electrician or service representative if you are in doubt that the appliance is properly grounded. If house wiring is not 2-wire with ground, a ground must be by the installer. When house wiring is aluminum, be sure to use UL-Listed anti-oxidant compound and aluminum-to-copper connectors.
- To reduce the risk of electric shock, fire, or injury to persons, the installer should check to ensure that wires are not pinched or damaged, the house wiring is attached to the junction box bracket through a strain relief, and all electrical connections made at the time of install (wire nuts) are contained inside of the junction box cover.

▲ ADVERTENCIA

- Retire todos los conductores de corriente del electrodoméstico de disyuntor o de la caja del fusible antes de comenzar con la instalación. Si no cumple con esto, se podrá producir el riesgo de descargas eléctricas.
- Para reducir el riesgo de descarga eléctrica, incendio o lesiones a personas, el instalador debe asegurarse de que el lavaplatos esté completamente cerrado en el momento de la instalación.
- La conexión inadecuada del conductor de conexión a tierra del equipamiento puede provocar un riesgo de descarga eléctrica. Consulte a un electricista calificado o representante de servicio técnico si tiene dudas sobre la correcta conexión a tierra del aparato. Si el cableado doméstico no cuenta con un cable de 2 hilos con conexión a tierra, un instalador debe realizar una conexión a tierra. Cuando el cableado doméstico es de aluminio, asegúrese de usar un compuesto antioxidante y conectores de aluminio a cobre aprobados por UL.
- Para reducir el riesgo de descarga eléctrica, incendio o lesiones a personas, el instalador deberá realizar un control para asegurar que los cables no estén pellizcados ni dañados, que el cableado del hogar esté conectado a la ficha de la caja de empalmes a través de un amortiguador de refuerzo, y que todas las conexiones eléctricas realizadas en el momento de la instalación (tuercas para cables) estén dentro de la tapa de la caja de empalmes.

FOR YOUR SAFETY

Read and observe all **WARNINGS** and **CAUTIONS** shown throughout these instructions.

While performing installations described in this booklet, gloves, safety glasses or goggles should be worn.

IMPORTANT – Observe all governing codes and ordinances.

- **Note to Installer** – Be sure to leave these instructions for the consumer's and local inspector's use.
- **Note to Consumer** – Keep these instructions with your Owner's Manual for future reference.
- **Skill Level** – Installation of this dishwasher requires basic mechanical, electrical and plumbing skills. **Proper installation is the responsibility of the installer. Product failure due to improper installation is not covered under the GE Appliances Warranty. See warranty information.**
- **Completion Time – 1 to 3 Hours.** New installations require more time than replacement installations.

IMPORTANT – The dishwasher **MUST** be installed to allow for future removal from the enclosure if service is required.

Care should be exercised when the appliance is installed or removed, to reduce the likelihood of damage to the power supply cord.

If you received a damaged dishwasher, you should immediately contact your dealer or builder.

Optional Accessories – See the Owner's Manual for available custom panel kits.

Your dishwasher is a water heating appliance.

▲ CAUTION

Opening the door will cause the dishwasher to tip forward when it is not fully installed. When opening the door prior to the dishwasher being fully installed, hold the top of the dishwasher securely with one hand and hold the door with the other hand. Gloves should be worn.

▲ PRECAUCIÓN

Abrir la puerta hará que el lavavajillas se incline hacia adelante cuando no se encuentre completamente instalado. Al abrir la puerta antes de haber instalado completamente el lavavajillas, sostenga la parte superior del lavavajillas de forma segura con una mano y sostenga la puerta con la otra mano. Se deberán usar guantes.

**READ CAREFULLY
KEEP THESE INSTRUCTIONS**

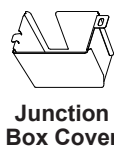
Installation Preparation

PARTS SUPPLIED:

- 2 Bottle Jets clips (on some models)
- Junction box cover
- #10 hex-head screw
- Drain hose hanger
- Hose clamp
- 2 Plug buttons
- Toekick (pre-installed on some models)
- 2 Tub trim pieces (on some models)
- Handle and 1/8" Allen wrench (on some models)
- 2 Mounting brackets for wood countertops or side cabinets
- 2 #8-18 x 5/8" Phillips special head screws, to secure dishwasher to underside of countertop or to side cabinets
- Insulation pieces (on some models)
- Literature, samples and/or coupons



Bottle Jets clips (on some models)



Junction Box Cover



#10 Hex-Head Junction Box Screw 3/8" long



Drain Hose Hanger



Hose Clamp



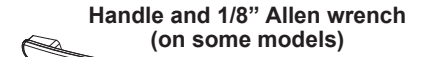
Tub Trim Pieces (on some models)



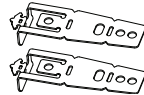
Plug Buttons



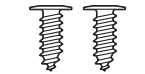
Toekick



Handle and 1/8" Allen wrench (on some models)



Mounting Brackets



#8 Phillips Special Head Screws 5/8" long



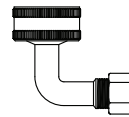
Insulation (on some models)



Literature

MATERIALS YOU WILL NEED:

- 3/4" GHT (Garden Hose Thread) 90° elbow (including gasket) - with opposite end sized to fit Hot Water Line
- Thread seal tape
- UL-listed wire nuts (3)
- Masking tape



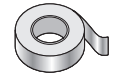
GHT 90° Elbow



Thread Seal Tape (if applicable)



Wire Nuts (3)



Masking Tape

Materials For New Installations Only:

- Air gap for drain hose, if required
- Waste tee for house plumbing, if applicable
- Electrical cable or Power Cord Kit **WX09X70910** (5' 5" long) or **WX09X70911** (7' 11" long) depending on installation.
- Strain relief for electrical connection
- Hose clamps
- Hand shut-off valve (recommended)
- Hot Water Line—3/8" minimum, copper tubing (including ferrule, compression nut) or GE Appliances Part # **WX28X326**, flexible braided hose.
- **WD24X10065** drain hose (12' long) or **WD24X10062** drain hose (4' long), if needed.



Air Gap



Waste Tee



Electrical Cable (or Power Cord, if applicable)



Strain Relief



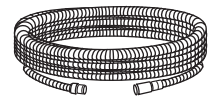
Hose Clamps



Hand Shut-Off Valve



Hot Water Line



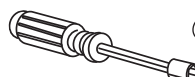
Optional -
12' Drain Hose - WD24X10065
4' Drain Hose - WD24X10062

TOOLS YOU WILL NEED:

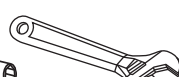
- Phillips-head screwdriver
- 1/4" and 5/16" nutdriver
- 6" Adjustable wrench
- Level
- Carpenter's square
- Measuring tape
- Safety glasses
- Flashlight
- Bucket to catch water when flushing the line
- 15/16" socket
- Gloves
- Pliers



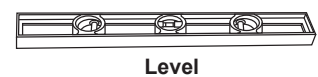
Phillips-Head Screwdriver



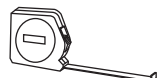
1/4" and 5/16" Nutdriver



6" Adjustable Wrench



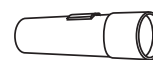
Level



Measuring Tape



Safety Glasses



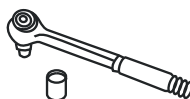
Flashlight



Bucket



Carpenter's Square



15/16" Socket



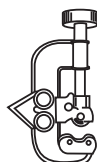
Gloves



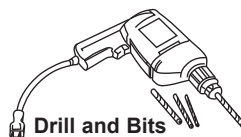
Pliers

For New Installations Only:

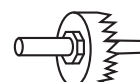
- Tubing cutter
- Drill and appropriate bits
- Hole saw set



Tubing Cutter



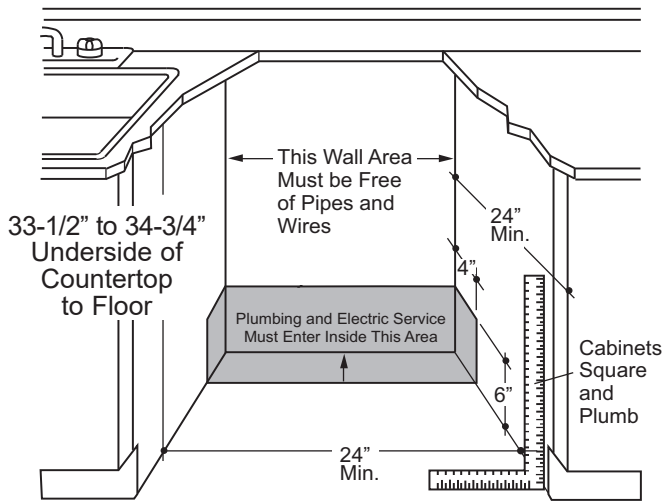
Drill and Bits



Hole Saw Set

Installation Preparation

PREPARE DISHWASHER ENCLOSURE



- The rough cabinet opening must be at least 24" deep, 24" wide and approximately 34-1/2" high from floor to underside of the countertop.
- The dishwasher must be installed so that drain hose is no more than 16' in length for proper drainage.
- The dishwasher must be fully enclosed on the top, sides and back, and must not support any part of the enclosure.

⚠ WARNING

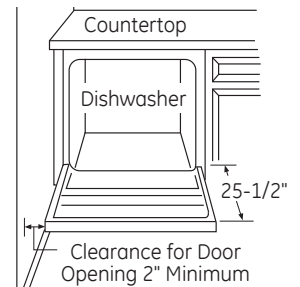
To reduce the risk of electric shock, fire, or injury to persons, the installer must ensure that the dishwasher is completely enclosed at the time of installation.

⚠ ADVERTENCIA

Para reducir el riesgo de descarga eléctrica, incendio o lesiones a personas, el instalador debe asegurarse de que el lavaplatos esté completamente cerrado en el momento de la instalación.

DISHWASHER HANDLE DIMENSION: The dishwasher door should be flush with the cabinet. For models with a handle, the total depth (with handle) is 26-1/4" max. depending on the model. Locate the Quick Specs document online for more dishwasher dimensions.

CLEARANCES: When installed into a corner, allow 2" min. clearance between dishwasher and adjacent cabinet, wall or other appliances. Allow 25-1/2" min. clearance from the front of the dishwasher for door opening.



DRAIN REQUIREMENTS

- Follow local codes and ordinances.
- Do not exceed 16' distance to drain.

NOTE : Air gap must be used if waste tee or disposer connection is less than 18" above floor to prevent siphoning.

DETERMINE DRAIN METHOD

The type of drain installation depends on the following questions.

- Do local codes or ordinances require an air gap?
- Is waste tee less than 18" above floor?

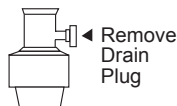
If the answer to either question is YES, Method 1 MUST be used.

- If the answers are NO, either method may be used.

CABINET PREPARATION

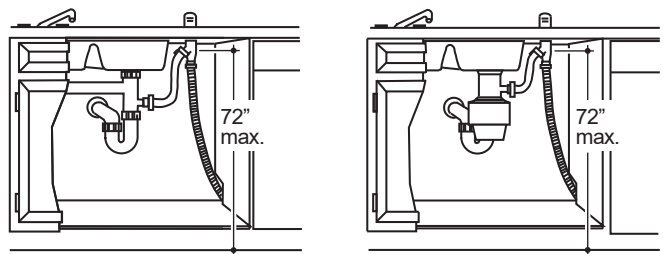
- Drill a 1-1/2" diameter hole in the cabinet wall within the shaded areas shown in **PREPARE DISHWASHER ENCLOSURE** section for the drain hose connection. The hole should be smooth with no sharp edges.

IMPORTANT – When connecting drain line to disposer, check to be sure that drain plug has been removed. **DISHWASHER WILL NOT DRAIN IF PLUG IS LEFT IN PLACE.**

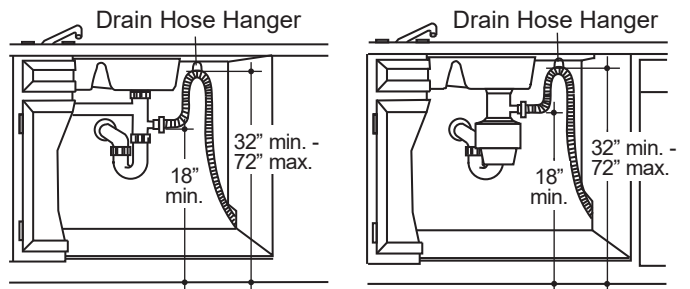


Method 1 – Air Gap with Waste Tee or Disposer

An air gap must be used when required by local codes and ordinances. The air gap must be installed according to manufacturer's instructions.



Method 2 – "High Drain Loop" with Waste Tee or Disposer



Tip: Avoid unnecessary service call charges.

Always be sure disposer drain plug has been removed before attaching dishwasher drain hose to the disposer.

Installation Preparation

PREPARE ELECTRICAL WIRING

▲WARNING Remove all power leading to the appliance from the circuit breaker or fuse box before beginning installation. Failure to do so can result in a risk of electrical shock.

▲ADVERTENCIA Retire todos los conductores de corriente del electrodoméstico de disyuntor o de la caja del fusible antes de comenzar con la instalación. Si no cumple con esto, se podrá producir el riesgo de descargas eléctricas.

ELECTRICAL REQUIREMENTS

Be sure that the electrical connection and wire size are adequate and in conformance with the National Electric Code, ANSI/NFPA 70 – latest edition, and all local codes and ordinances.

This appliance must have:

- 120V, 60Hz, AC-only, 15-ampere or 20-ampere, fused electrical supply.
- Wiring must be 2 wire with ground and rated for 75°C (167°F).
- If the electrical supply does not meet the above requirements, call a licensed electrician before proceeding.

It is recommended to have:

- A circuit breaker or time-delay fuse.
- A properly grounded individual branch circuit.

Grounding Instructions—Permanent Connection

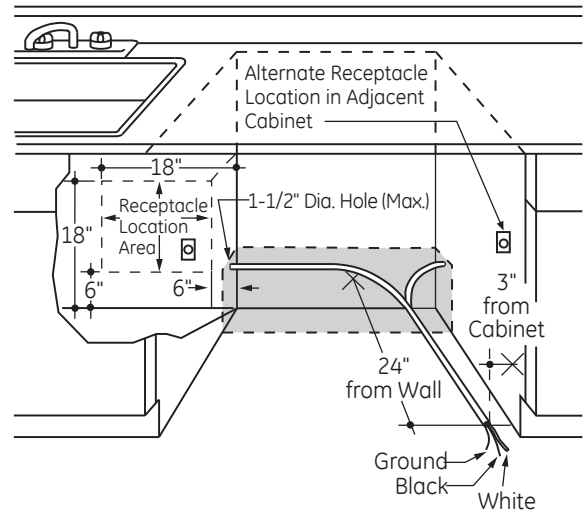
This appliance must be connected to a grounded metal, permanent wiring system, or an equipment-grounding conductor must be run with the circuit conductors and be connected to the equipment-grounding terminal or lead on the appliance.

Grounding Instructions—Power Cord Models

This appliance must be grounded. In the event of a malfunction or breakdown, grounding will reduce the risk of electric shock by providing a path of least resistance for electric current. This appliance is equipped with a cord having an equipment-grounding conductor and a grounding plug. The plug must be plugged into an appropriate outlet that is installed and grounded in accordance with all local codes and ordinances.

▲WARNING The improper connection of the equipment grounding conductor can result in a risk of electric shock. Check with a qualified electrician or service representative if you are in doubt that the appliance is properly grounded. Do not modify the plug provided with the appliance; if it will not fit the outlet, have a proper outlet installed by a qualified technician.

▲ADVERTENCIA La conexión inadecuada del conductor de conexión a tierra del equipamiento puede provocar un riesgo de descarga eléctrica. Consulte a un electricista calificado o representante de servicio técnico si tiene dudas sobre la correcta conexión a tierra del aparato. No modifique el enchufe que se suministra con el aparato; si no calza en el tomacorrientes, haga que un técnico calificado le instale un tomacorrientes adecuado.



▲WARNING For models equipped with power cord: Do not modify the plug provided with the appliance; if it will not fit the outlet, have a proper outlet installed by a qualified technician.

▲ADVERTENCIA Con los modelos equipados con cable de corriente: No modifique el enchufe provisto con el electrodoméstico; si no coincide con el tomacorriente, solicite la instalación de un tomacorriente apropiado a un electricista calificado.

Cabinet Preparation & Wire Routing

- The wiring may enter the opening from either side, rear or the floor within the shaded area illustrated above in figure and defined in **PREPARE DISHWASHER ENCLOSURE** section.
- Cut a 1-1/2" maximum diameter hole to admit the electrical cable. Edges of hole should be smooth and rounded. Permanent wiring connections may pass through the same hole as the drain hose and hot water line, if convenient. If cabinet wall is metal, the hole edge must be covered with a bushing.

NOTE: Power cords with plug must pass through a separate hole in the cabinet.

Electrical Connection to Dishwasher

Electrical connection is on the right front of dishwasher.

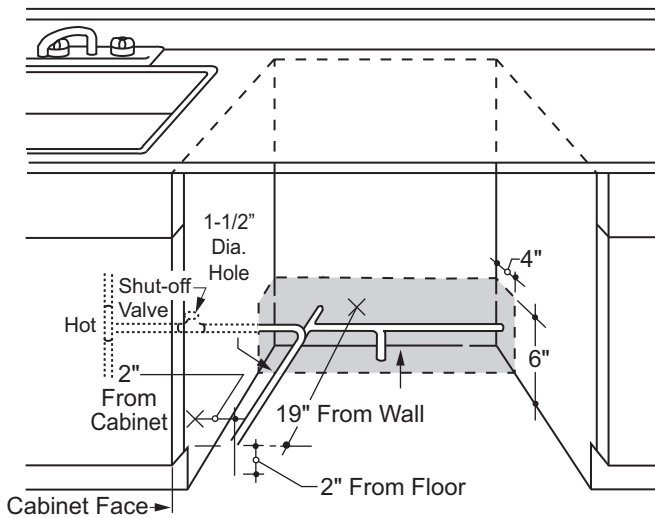
- For permanent connections the cable must be routed as shown in figure. Cable must extend a minimum of 24" from the rear wall.
- For power cord connections, install a 3-prong grounding type receptacle in the sink cabinet rear wall, 6" min. or 18" maximum from the opening, 6" to 18" above the floor.
- Use only **WX09X70910** (5' 5" long) or **WX09X70911** (7' 11" long) Dishwasher Power Cord Kit. Do not use an extension cord or adapter plug with this appliance.

Installation Preparation

PREPARE HOT WATER LINE

NOTE: We recommend copper tubing for the water line, but if you choose to use flexible hose, use GE Appliances **WX28X326**, flexible braided hose.

- The water supply line (3/8" copper tubing or flexible braided hose) may enter from either side, rear or floor within the shaded area shown in figure.
- The water supply line may pass through the same hole as the electrical cable and drain hose. Or, cut an additional 1-1/2" diameter hole to accommodate the water line. If power cord with plug is used, water line must not pass through power cord hole.



PREPARATION

Locate the items in the installation package:

- Screws
- Junction box cover
- Drain hose and clamp
- Mounting brackets
- Trim pieces (on some models)
- Drain hose hanger
- Insulation pieces (some models)
- Toekick (pre-installed on some models)
- Owner's Manual
- Product samples and/or coupons

Turn page to begin dishwasher installation.

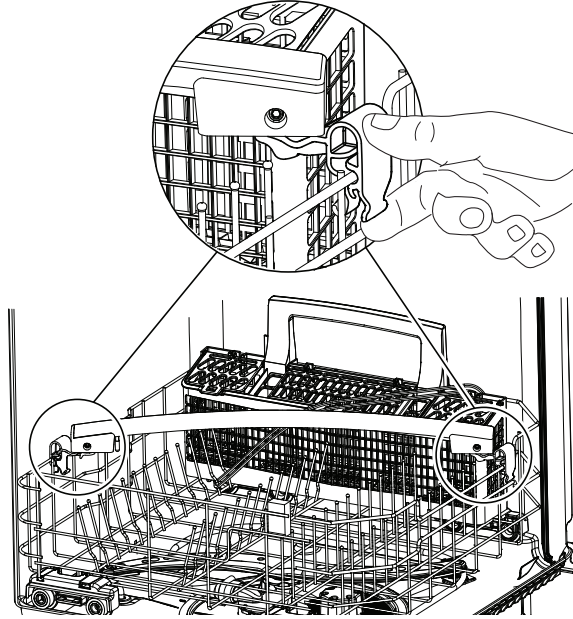
Water Line Connection

- If using a flexible braided supply hose, label the hose with the installation date to use as reference. Flexible braided hoses, elbows and gaskets should be replaced in 5 years.
- Turn off the water supply.
- Install a hand shut-off valve in an accessible location, such as under the sink. (Optional, but strongly recommended and may be required by local codes.)
- Water connection is on the left side of the dishwasher. Install the hot water inlet line, using no less than 3/8" copper tubing or a flexible braided hose. Route the line as shown in **PREPARE HOT WATER LINE** section and extend forward at least 19" from rear wall.
- Adjust water heater for 120°F to 140°F temperature.
- Flush water line to clean out debris.
- The hot water supply line pressure must be 20-120 PSI.

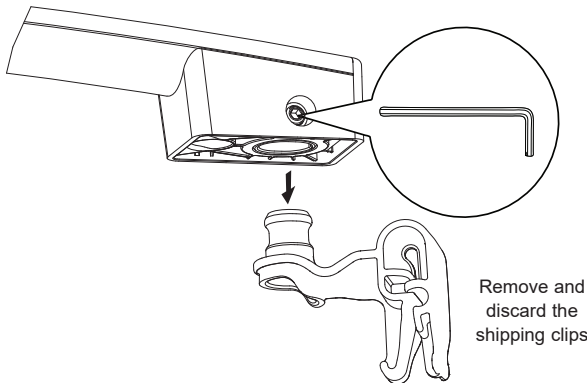
Dishwasher Installation

STEP 1 INSTALL HANDLE (on some models)

- Remove the packaged handle from the lower rack by pulling its shipping clips out and up.

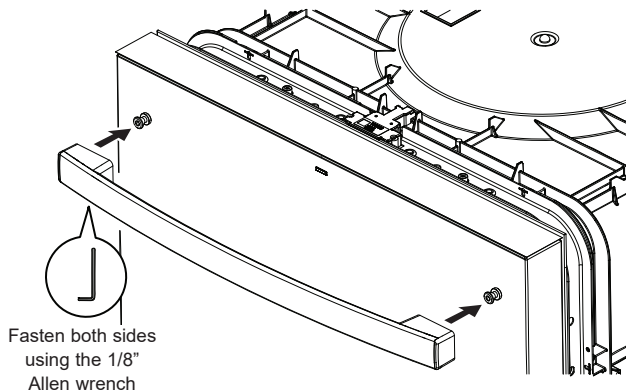


- Using the provided 1/8" Allen wrench, loosen the set screws to remove the shipping clips and discard them.



Remove and discard the shipping clips

- Place the handle on the dishwasher door mounting fasteners, with the set screws on the bottom side, then tighten the set screws with the Allen wrench.



Fasten both sides using the 1/8" Allen wrench

STEP 2 CHECK DOOR BALANCE

⚠ CAUTION

Opening the door will cause the dishwasher to tip forward when it is not fully installed. When opening the door prior to the dishwasher being fully installed, hold the top of the dishwasher securely with one hand and hold the door with the other hand. Gloves should be worn.



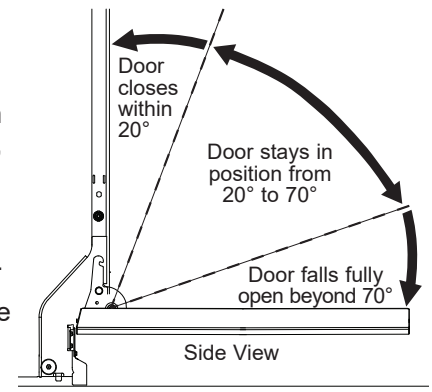
⚠ PRECAUCIÓN

Abrir la puerta hará que el lavavajillas se incline hacia adelante cuando no se encuentre completamente instalado. Al abrir la puerta antes de haber instalado completamente el lavavajillas, sostenga la parte superior del lavavajillas de forma segura con una mano y sostenga la puerta con la otra mano. Se deberán usar guantes.



To check the door balance, hold the top of the dishwasher firmly.

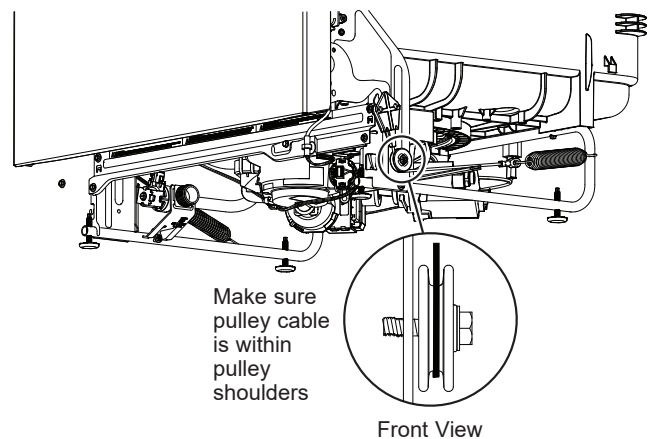
- Check the door balance by opening and closing the door.
- Door is properly balanced if, when opened, it self closes within 20° from vertical, stays in position from 20° to 70° and falls fully open beyond 70°.



NOTE: Springs are not adjustable.

Tip: Make sure door opens and closes smoothly.

Check door opening and closing. If door does not open easily or falls too quickly, check spring cable routing. The cable is held in place by "shoulders" on the pulley. Check to be sure cable has not slipped over the pulley shoulders and is routed as shown.



Make sure pulley cable is within pulley shoulders

Dishwasher Installation

STEP 3 REMOVE WOOD BASE, INSTALL LEVELING LEGS

NOTE: Some models have an attached wood base.

⚠ CAUTION

Do not remove wood base until you are ready to install the dishwasher. The dishwasher will tip over when the door is opened if base is removed.

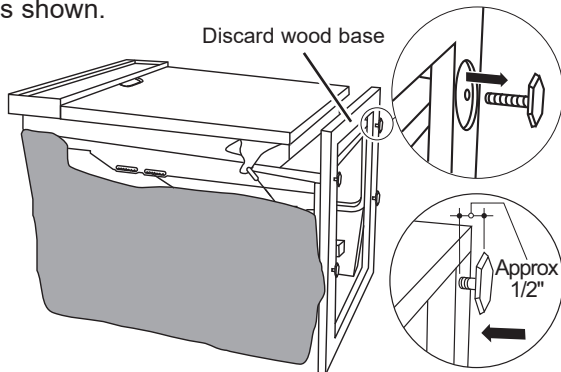
⚠ PRECAUCIÓN

No quite la base de madera hasta que esté listo para instalar el lavaplatos. Si se quita la base, el lavaplatos se volcará cuando se abra la puerta.

IMPORTANT – Do not kick off wood base!

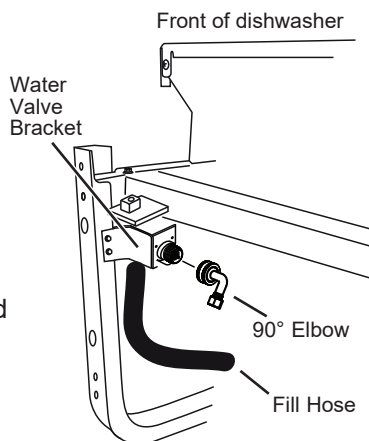
Damage will occur.

- Move the dishwasher close to the installation location and lay it on its back. **NOTE:** Do not place the dishwasher on its side.
- For models with an attached wood base, remove the 4 leveling legs on the underside of the wood base with a 15/16" socket wrench.
- Discard wood base.
- With a 15/16" socket wrench adjust leveling legs into the dishwasher frame, approximately 1/2" from frame as shown.



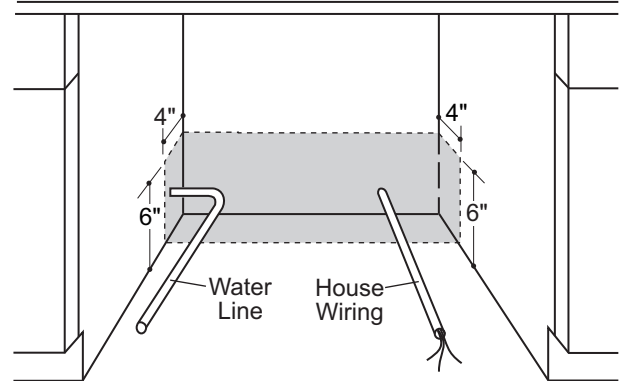
STEP 4 INSTALL 90° ELBOW

- Thread 3/4" GHT 90° elbow onto the water valve. Ensure rubber gasket is located between valve and elbow.
- Do not overtighten elbow. Water valve bracket could bend or water valve fitting could break.
- Position the end of the elbow to face the rear of the dishwasher.



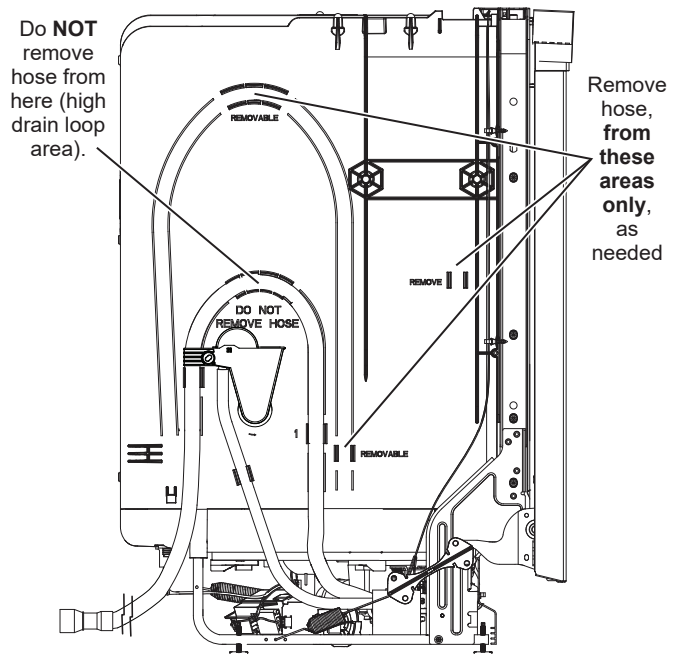
STEP 5 POSITION WATER LINE AND HOUSE WIRING

- Position water supply line and house wiring on the floor of the opening to avoid interference with base of dishwasher and components under dishwasher.



STEP 6 INSTALL DRAIN HOSE, THROUGH CABINET

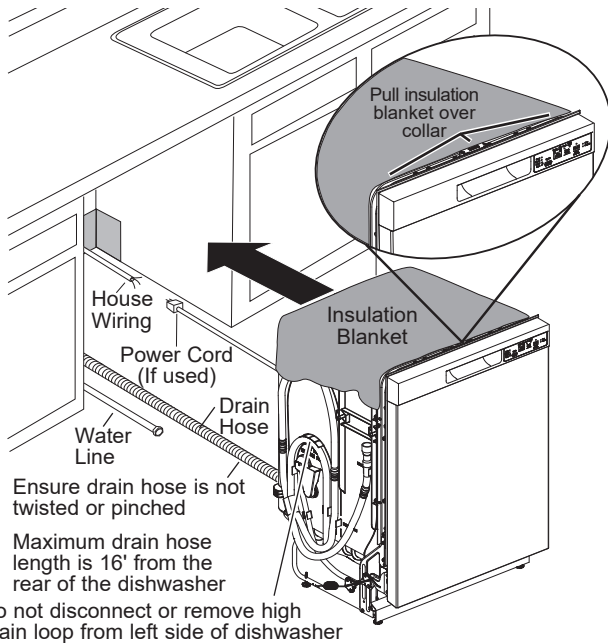
- Detach the hose from the tub at locations indicated. **NOTE:** Do not remove high drain loop.



Dishwasher Installation

STEP 6 INSTALL DRAIN HOSE, THROUGH CABINET (CONT)

- Position dishwasher in front of cabinet opening. Insert drain hose into the hole in cabinet side. If a power cord is used, guide the end through a separate cabinet opening.



Tip: Prevent unnecessary service call charges for fill, drain or noise concerns.

Position utility lines so they do not interfere with anything under or behind the dishwasher.

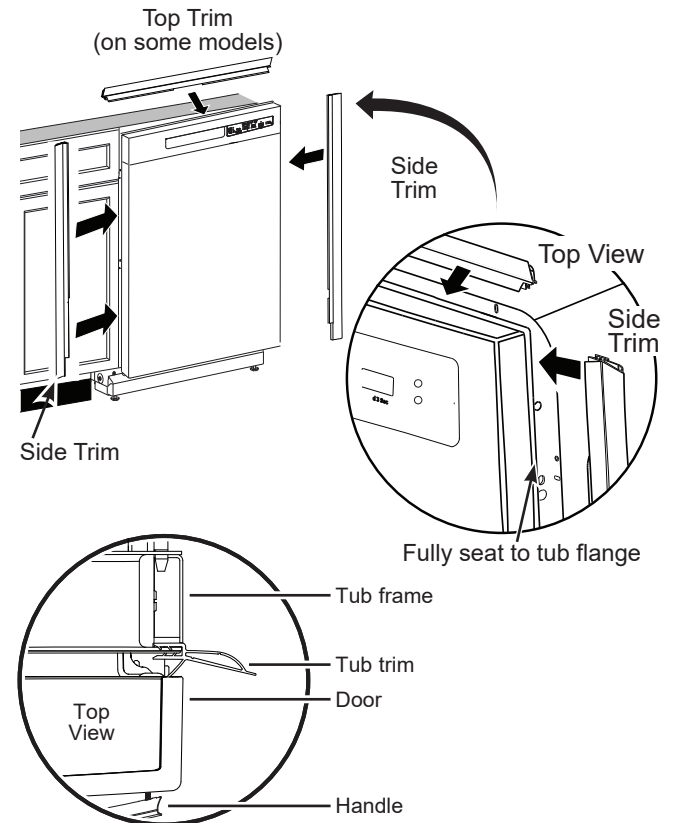
Reposition the insulation blanket over the collar, as shown.

STEP 7 SLIDE DISHWASHER THREE-FOURTHS OF THE WAY INTO CABINET (CONT)

- As you proceed, pull the drain hose through the opening under the sink. Stop pushing when the dishwasher extends about 6 inches forward of adjacent cabinets.
- Make sure drain hose is not kinked under or behind the dishwasher.
- Make certain the house wiring, drain line and water line do not interfere with components under dishwasher.

STEP 8 INSTALL TRIM PIECES

In this step you will need the trim pieces set aside in Step 1.



- Select the top trim piece and line up center to the top latch. Press the trim piece onto the tub flange moving from one side to the other.
- Select the left trim piece. Align top edge with the top trim and press it onto the left side of the tub flange moving from the top to the bottom. Repeat for the right side tub flange trim piece.

STEP 7 SLIDE DISHWASHER THREE-FOURTHS OF THE WAY INTO CABINET

IMPORTANT – Do not push against front panel with knees. Damage will occur.

- Grasp the sides of the front panel and slide dishwasher into the opening a few inches at a time.



Do not push against front door panel with knee. Damage to the door panel will occur.

Dishwasher Installation

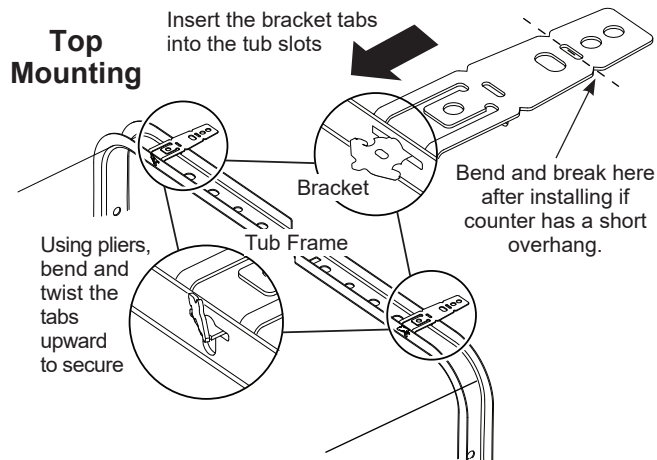
STEP 9 INSTALL MOUNTING BRACKETS

You will need the mounting brackets set aside in Step 1.

You must install the mounting brackets onto the dishwasher tub frame top **OR** sides prior to sliding the dishwasher into place under the countertop.

Install mounting brackets on top if the underside of countertop is wood or wood-like material that accepts screws:

Install the brackets by inserting the tabs through the slots on the tub frame as shown. **NOTE:** You may need to work the tabs through the slots.



Using pliers, bend and twist the tabs upward to secure as shown.

IMPORTANT - After installing brackets and before closing the dishwasher door, adjust the brackets by bending them up as needed, so that they do not contact the top of the dishwasher door and cause damage.

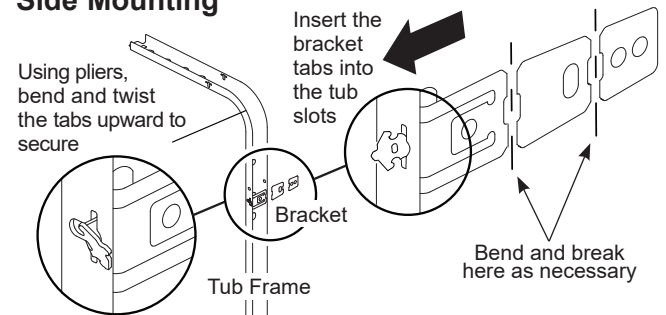
- If you are installing the dishwasher under a counter with a short overhang, the countertop brackets may extend beyond the edge of the counter. If this is the case, remove the excess length by repeatedly bending the brackets at the front notch only until they break.

STEP 9 INSTALL MOUNTING BRACKETS (CONT.)

Install mounting brackets on sides if the countertop is granite or similar material that will not accept wood screws:

- Break off front portion of the bracket with pliers at the location shown prior to attaching to dishwasher.
- Install the brackets by inserting the tabs through the slots on the tub frame as shown. **NOTE:** You may need to work the tabs through the slots. Using pliers, bend and twist the tabs to secure as shown.

Side Mounting



STEP 10 PUSH DISHWASHER INTO FINAL POSITION

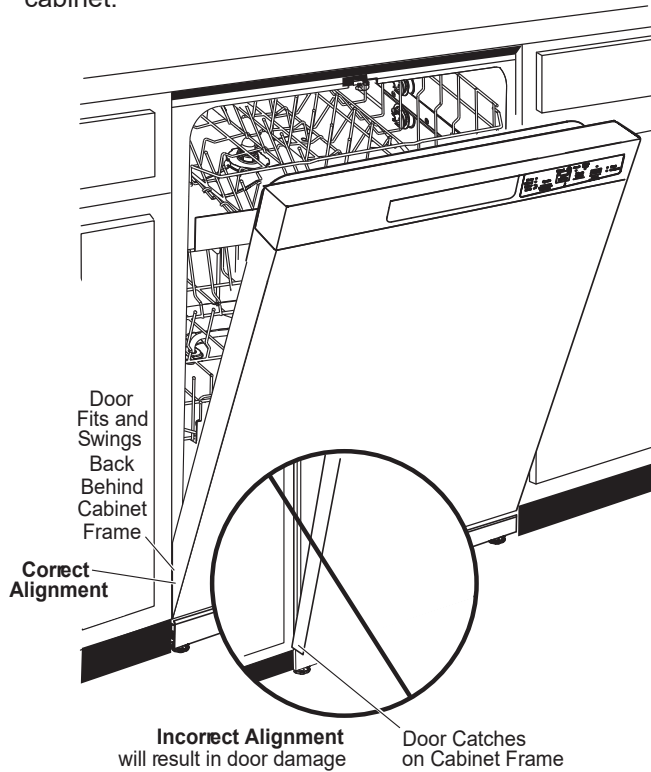
- Check the tub insulation blanket, if equipped, to be sure it is smoothly wrapped around the tub. It should not be “bunched up” and it must not interfere with the door springs. If the insulation is “bunched up” or interfering with the springs, straighten and re-center the blanket prior to sliding the dishwasher into its final position.
- Slide the dishwasher into the final position by pushing on the sides of the door panel. Do not push or pull the door in a partially open or closed position when moving the dishwasher. Do not use a knee or push on the center of the panel. If you do, damage to the panel will likely result.
- The dishwasher is in the final position when the edges of the front panel are flush with the adjacent cabinets and the dishwasher is centered in the cabinet opening. Check that the dishwasher is squarely positioned in the cabinet opening at both the top and the bottom of the appliance prior to mounting to the cabinet.

IMPORTANT – Before opening the dishwasher door, be certain the edges of the dishwasher door panel are behind the face of the adjacent cabinet and not up against the cabinet face. Refer to figure below. If the dishwasher door is opened when the edge of the door is against the face of the cabinet, dishwasher door damage and cabinet damage will occur.

Dishwasher Installation

STEP 10 PUSH DISHWASHER INTO FINAL POSITION (CONT.)

- Check dishwasher alignment prior to opening dishwasher door to prevent panel damage.
- Open and close the dishwasher door to be sure it operates smoothly, and does not rub on the adjacent cabinet.

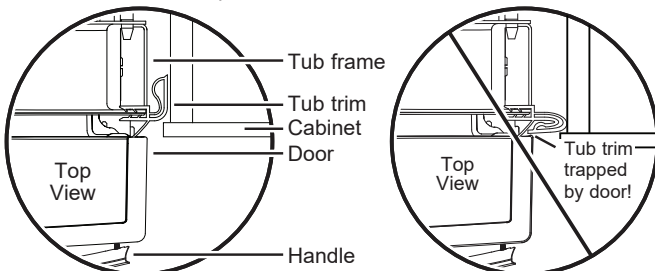


Tip: Prevent unnecessary service charges for panel damage or wash performance.

Make sure utility lines are not trapped or crushed behind dishwasher. Crushed lines will restrict water flow.

Check that tub trim does not contact the door at all points

Do not allow tub trim to get trapped by or come into contact with the door

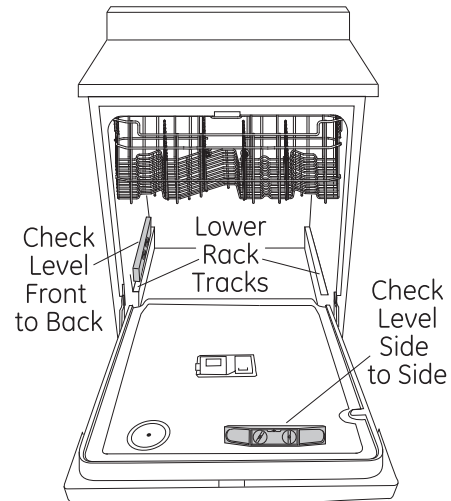


Tub trim may be trimmed if necessary to ensure proper door operation

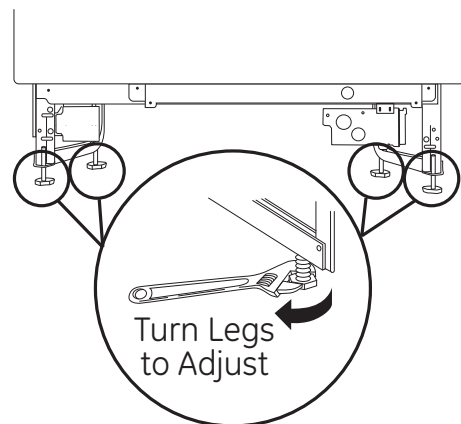
STEP 11 LEVEL DISHWASHER

IMPORTANT – Dishwasher must be level for proper dish rack operation, wash performance and door operation. The dishwasher must be leveled left to right and front to back. This ensures the dish racks will not roll in or out on their own, circulation water will flow to the pump inlet, and the door will close without hitting the side of the tub.

- Remove the lower dish rack and place a level on the door and lower rack track as shown in figure.



- Adjust the level of the dishwasher by individually turning the 4 legs on the bottom of the dishwasher as shown. Ensure all 4 legs are firmly in contact with the floor.



- The dishwasher is properly leveled when the level indicator is centered left to right and front to back. Also, the dishwasher door should close without hitting the side of the tub.
- Replace the lower rack.

Tip: Prevent unnecessary service charges. Verify dishwasher is leveled.

Pull the dish racks half way out. They should stay put. Open and close the door. The door should fit in the tub opening without hitting the side of the tub. If the racks roll on their own, or the door hits the side of tub, re-level the dishwasher.

Dishwasher Installation

STEP 12 POSITION DISHWASHER, SECURE TO COUNTERTOP OR CABINET

In this step you will need the 2 Phillips special head screws from the screws set aside in Step 1.

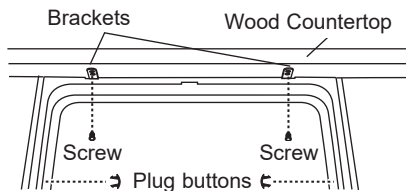
The dishwasher must be secured to the countertop or the cabinet sides. When the underside of the countertop is wood, use **Method 1**. Use **Method 2** when the underside of the countertop is made of a material, such as granite, that will not accept wood screws.

IMPORTANT – Prevent door panel and control panel damage. Dishwasher must be positioned so the front panel and control panel do not contact the adjacent cabinets or countertop. The unit should be centered between the 2 cabinets. Mounting screws must be driven straight and flush. Protruding screw heads could scratch the door panel or control panel and interfere with door operation.

Method 1

Secure dishwasher to underside of wood countertop.

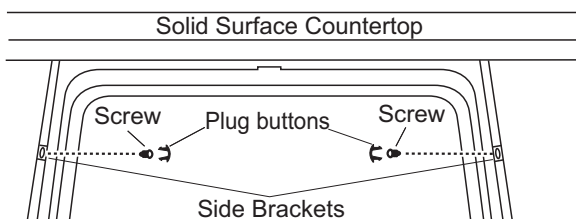
- Re-check alignment of the dishwasher in the cabinet. Refer to Steps 12 and 13. Door panel and/or control panel must not hit cabinets or countertop.
- Fasten the dishwasher to the underside of the countertop with the 2 Phillips special head screws. Refer to figure. Make certain screws are driven straight and flush to prevent panel damage.
- Plug buttons must be installed to ensure proper door to tub alignment. Install plug buttons to the side of the tub well in the holes provided.



Method 2

Secure dishwasher to cabinet sides.

- Recheck alignment of the dishwasher in the cabinet. Refer to Steps 12 and 13. Door panel and/or control panel must not hit cabinets or countertop.
- Fasten the dishwasher to the adjacent cabinets with the 2 Phillips special head screws provided. Refer to figure. Make certain screws are driven straight and flush to prevent panel damage. Do not screw into the cabinet face frame.
- Plug buttons must be installed to ensure proper door to tub alignment. Install plug buttons to the side of the tub in the holes provided.



STEP 12 POSITION DISHWASHER, SECURE TO COUNTERTOP OR CABINET (CONT.)

- Re-check that the dishwasher is squarely positioned in the cabinet at both the top and bottom of the appliance after mounting to the cabinets/countertop. Adjust if necessary.
- Confirm all leveling legs are in contact with the floor to prevent the dishwasher from rocking and ensure proper door and latch operation

STEP 13 CONNECT WATER SUPPLY

Connect water supply line to 90° elbow.

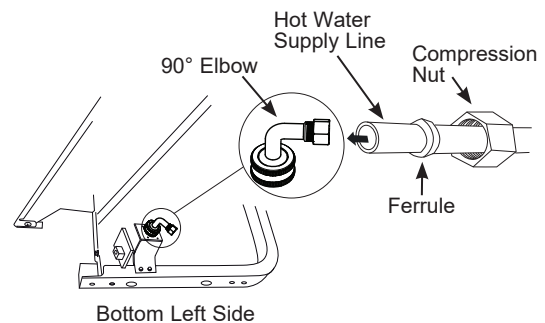
If using a flexible braided hose connection:

- Attach nut to 90° elbow using an adjustable wrench.

If using a copper tubing connection:

- Slide compression nut, then ferrule over end of water line.
- Insert water line into 90° elbow.
- Slide ferrule against elbow and secure with compression nut.

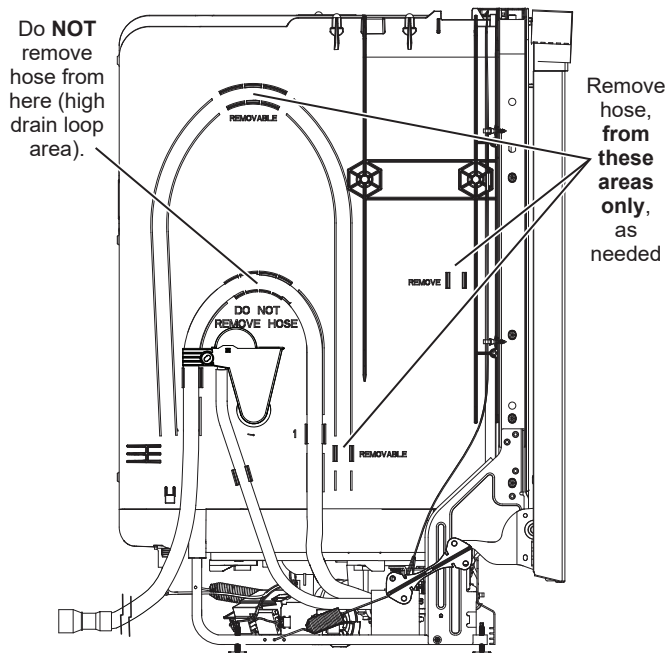
IMPORTANT – Check to be sure that door spring and/or door spring cable do not rub or contact the fill hose or water supply line. Test by opening and closing the door. Re-route the water supply lines if a rubbing noise or interference occurs.



Dishwasher Installation

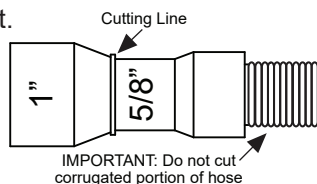
STEP 14 CONNECT DRAIN LINE

- The hose should have already been detached from the tub at locations indicated. **NOTE:** Do not remove high drain loop.

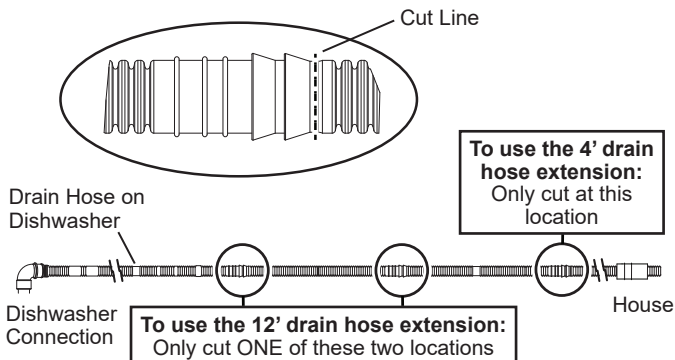


The molded end of the drain hose will fit 5/8" through 1" diameter inlet ports on the air gap, waste tee or disposer.

- Determine size of inlet port.
- Cut drain hose connector on the marked line, if required, to fit the inlet port.

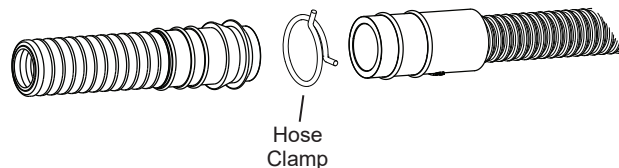


- If a longer drain hose is required, you can purchase an extension drain hose - GE Appliances service part **WD24X10062** (4' length) or **WD24X10065** (12' length) which can be connected directly to the drain hose already attached to the unit. To use the extension, you must cut the drain hose provided with the unit as shown. Use a hose cutter or razor blade knife to cut the drain hose.



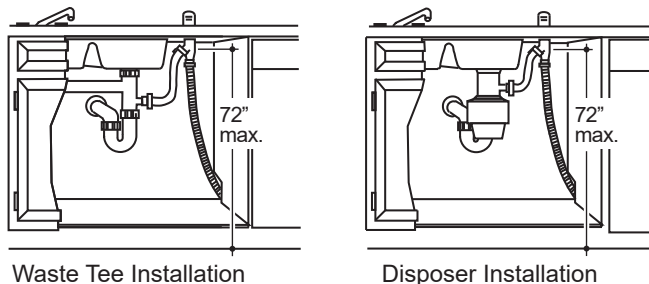
- TOTAL DRAIN HOSE LENGTH MUST NOT EXCEED 16' FROM THE REAR OF THE DISHWASHER FOR PROPER DRAIN OPERATION.**

STEP 14 CONNECT DRAIN LINE (CONT.)



- Connect drain line to air gap, waste tee or disposer using the previously determined method. Secure hose with a hose clamp.

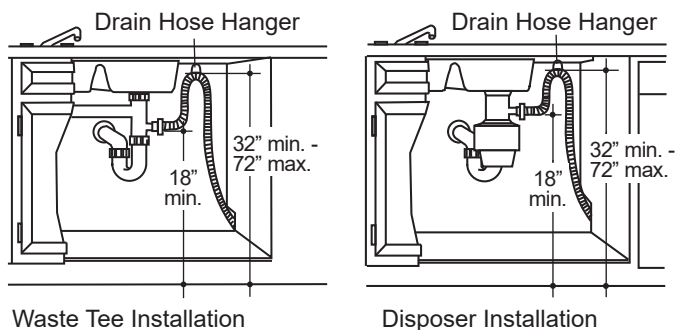
Method 1 – Air gap with waste tee or disposer



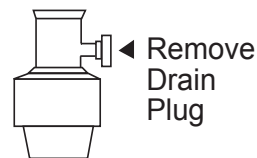
Method 2 – “High drain loop” with waste tee or disposer

With this method you will need the drain hose hanger set aside in Step 1.

Fasten drain hose to underside of countertop with the provided hanger.



IMPORTANT – When connecting drain line to disposer, check to be sure that drain plug has been removed. **DISHWASHER WILL NOT DRAIN IF PLUG IS LEFT IN PLACE.**



Tip: Avoid unnecessary service call charges for a no drain complaint.

Make sure excess drain hose has been pulled through the cabinet opening. This will prevent excess hose in the dishwasher cavity from becoming kinked or crushed by the dishwasher.

Dishwasher Installation

STEP 15 CONNECT POWER SUPPLY

If a power cord with plug is already installed proceed to Step 18.

⚠ WARNING

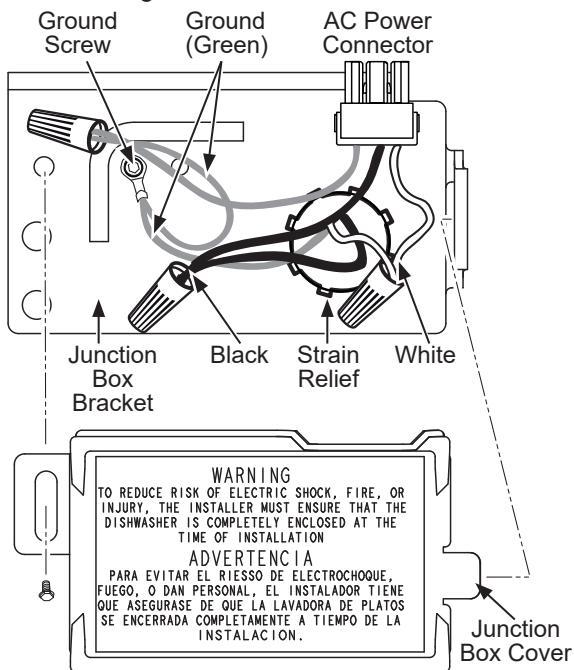
To reduce the risk of electric shock, fire, or injury to persons, the installer should check to ensure that wires are not pinched or damaged, the house wiring is attached to the junction box bracket through a strain relief, and all electrical connections made at the time of install (wire nuts) are contained inside of the junction box cover.

⚠ ADVERTENCIA

Para reducir el riesgo de descarga eléctrica, incendio o lesiones a personas, el instalador deberá realizar un control para asegurar que los cables no estén pellizcados ni dañados, que el cableado del hogar esté conectado a la ficha de la caja de empalmes a través de un amortiguador de refuerzo, y que todas las conexiones eléctricas realizadas en el momento de la instalación (tuercas para cables) estén dentro de la tapa de la caja de empalmes.

In this step you will need the junction box cover and the #10 Hex head screw from the screws set aside in Step 1.

- Secure house wiring to the back of the junction box with a strain relief as shown in the MATERIALS YOU WILL NEED section.
- Locate the 3 dishwasher wires, (white, black and green) with the stripped ends coming out of the AC jumper. Use UL-listed wire nuts of appropriate size to connect incoming ground to green, white to white and black to black.
- Install the junction box cover using #10 hex head screw. Check to be sure that wires are not pinched under the cover and that all wire nuts are inside the cover.
- Make sure that the junction box cover is resting on the mounting bracket.



NOTE: All ground screws, brackets and wires must remain intact.

STEP 16 PRETEST CHECKLIST

Review this list after installing your dishwasher to avoid charges for a service call that is not covered by your Warranty.

- Check to be sure power is OFF.
- Open door and remove all foam and paper packaging.
- Locate the Owner's Manual set aside in Step 1.
- Read the Owner's Manual for operating instructions.
- Check door opening and closing. If door does not open and close freely, check for proper routing of spring cable over pulley. If door drops or closes when released, adjust spring tension. See Step 2.
- Check to be sure that wiring is secure under the dishwasher, not pinched or in contact with door springs or other components. See Step 17.
- Check door alignment with tub. If door hits tub, level dishwasher. See Step 13.
- Check door alignment with cabinet. If door hits cabinet, reposition dishwasher. See Step 12.
- Pull lower rack out, about halfway. Check to be sure it does not roll back or forward on the door. If the rack moves, adjust leveling legs. See Step 13.
- Check that door spring does not contact water line, fill hose, wiring or other components. See Step 12.
- Verify water supply and drain lines are not kinked or in contact with other components. Contact with motor or dishwasher frame could cause noise.
- Turn on the sink hot water faucet and verify water temperature. Incoming water temperature must be between 120°F and 140°F. A minimum of 120°F temperature is required for best wash performance. See **PREPARE HOT WATER LINE** section.
- Add 2 quarts of water to the bottom of the dishwasher to lubricate the pump seal.
- Turn on water supply. Check for leaks. Tighten connections if needed.
- Remove protective film if present from the control panel and door.
- Check that tub trim does not contact the door.

Dishwasher Installation

STEP 17 DISHWASHER WET TEST

- Turn on power supply or plug power cord into outlet, if equipped.
- Select a cycle to run and push the **Start/Reset** pad.
- Ensure the door is latched. Dishwasher should start.
- Check to be sure that water enters the dishwasher. If water does not enter the dishwasher, check to be sure that water and power are turned on.
- Check for leaks under the dishwasher. If a leak is found, turn off power at the breaker, and then tighten water connections. Restore power after leak is corrected.

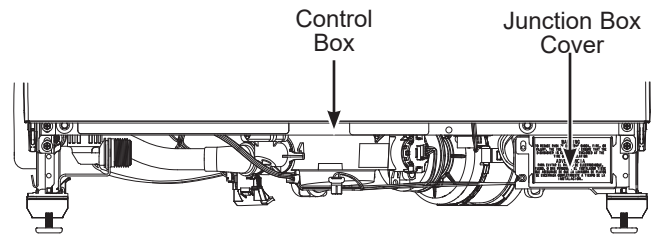
NOTE: A small amount of water may splash out of the fill funnel, on the right side of the tub, during the first use after installation. Splash-out is most likely to occur if there is air in the water supply line from new construction or if the valve has been closed for an extended time.

- Check for leaks around the door. A leak around the door could be caused by door rubbing or hitting against adjacent cabinets. Reposition the dishwasher if necessary. See Step 12.
- Press and hold the **Start/Reset** pad for 3 seconds to cancel the cycle. The unit will begin to drain. Check drain lines. If leaks are found, turn off power at the breaker and correct plumbing as necessary. Restore power after corrections are made. See Steps 6, 7, 8, 9 and 16.
- Open dishwasher door and make sure all of the water has drained. If not, check that disposer plug has been removed and/or air gap is not plugged. Also check drain hose to be sure it is not kinked underneath or behind dishwasher. See Step 16.
- Press **Start/Reset** pad once again and run dishwasher through another cycle. Check for leaks and correct if required.
- Repeat these steps as necessary.

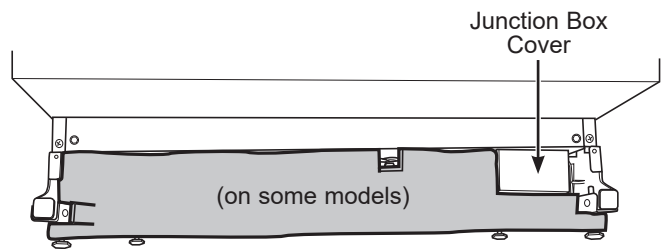
STEP 18 POSITION SOUND BARRIER AND INSULATION (on some models)

Skip this step if the sound barrier is assembled to the dishwasher.

- Locate the sound insulation package inside the dishwasher.
- Locate the control box.



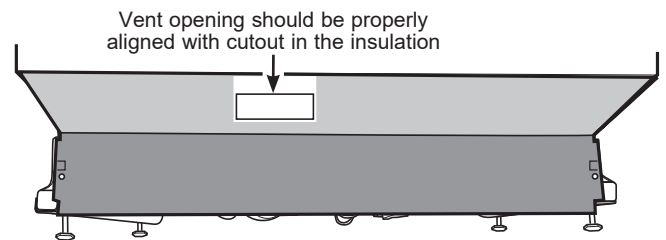
- Apply the insulation to the underside of the control box and flush with its front face as shown.



Insulation shown correctly placed along the bottom edge of the control box, the dishwasher bottom and flush with the front face.

If the insulation has an extension piece (on some models) follow these additional steps:

- Open door all the way, if the door doesn't stay fully open, adjust the insulation panel.
- Align the screw holes with the screw holes on the legs of the dishwasher.
- Ensure vent opening is not blocked by insulation.

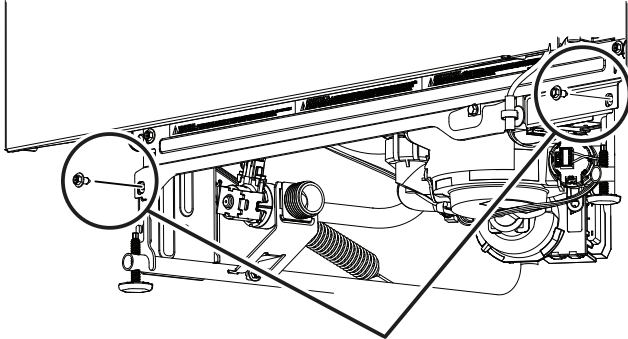


Dishwasher Installation

STEP 19 INSTALL TOEKICK

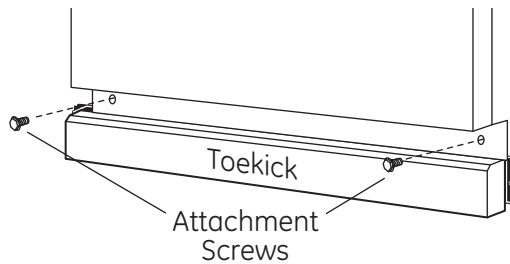
NOTE: On some models the toekick may come pre-installed.

- Remove the 2 screws installed on the front brace.



Remove these two screws

- Place toekick against the legs of the dishwasher.

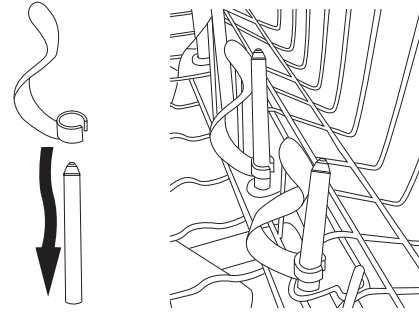


- Align the toekick with the bottom edge and make sure it is against the floor.
- Insert and tighten the 2 toekick attachment screws. The toekick should stay in contact with the floor.
NOTE: Be careful not to over-tighten the screws in the toekick.
- When reinstalling the toekick, on models with a sound barrier, ensure that the bottom edge is flush with the floor. Any excess material should be tucked up behind the outer door.

Tip: Reduce sound from under the dishwasher. Make sure toekick is against floor.

STEP 20 INSTALL BOTTLE JETS CLIPS (on some models)

- Locate the 2 Bottle Jets clips, depending on model, either in the silverware basket or the user bag. Install a clip over a Bottle Jets stem by slipping its clip end over the nozzle and pressing it down to the base.



STEP 21 CHECK THE FOLLOWING

- Tub trim does not interfere with the door
- Dishwasher is square and level at both the top and bottom of the cabinet opening, with no twisting or distortion of the tub or door
- All 4 legs of the dishwasher are firmly in contact with the floor
- Drain hose is not pinched between the dishwasher and adjacent cabinets or walls
- Tub trim is fully seated on the tub flange

STEP 22 LITERATURE

- Be sure to leave complete literature package, these Installation Instructions and product samples and/or coupons with the consumer.

NOTE: Product improvement is a continuing endeavor. Therefore, materials, appearance and specifications are subject to change without notice.

Instructions D'Installation

Lave-vaisselle encastré

Consultez votre Manuel du Propriétaire pour plus de détails sur la façon de nous contacter concernant les questions d'installation

AVANT DE COMMENCER

Veuillez lire attentivement toutes les directives qui suivent.

⚠ AVERTISSEMENT

- Avant de commencer l'installation, coupez toute alimentation menant de l'appareil au disjoncteur ou au fusible. Dans le cas contraire, vous pourriez être victime d'une décharge électrique.
- Pour réduire les risques de choc électrique, d'incendie ou de blessures, l'installateur doit s'assurer que le lave-vaisselle est complètement encastré au moment de l'installation.
- Un branchement inadéquat du conducteur de mise à la terre peut présenter des risques de choc électrique. Si vous n'êtes pas certain que l'appareil est correctement mis à la terre, consultez un réparateur ou un électricien qualifié. Si le câblage électrique de la résidence n'est pas constitué de deux fils plus un fil de mise à la terre, l'installateur doit installer un fil de mise à la terre. Si le câblage électrique de la résidence est en aluminium, utilisez un agent antioxydant et des connecteurs pour raccords «aluminium-cuivre» homologués UL.
- Pour réduire les risques de choc électrique, d'incendie ou de blessures, l'installateur doit vérifier pour s'assurer que les fils ne sont pas pliés ou en dommages, que le câblage domestique est fixé au support de boîte de connexion par l'entremise d'un serre-câble et que toutes les connexions électriques faites au moment de l'installation (capuchons de connexion) se trouvent à l'intérieur du couvercle de la boîte de connexion.

⚠ ATTENTION

Ouvrir la porte causera le basculement du lave-vaisselle vers l'avant si son installation n'est pas complètement terminée. Pour ouvrir la porte avant la finalisation de l'installation, agrippez le haut du lave-vaisselle fermement avec une main et tenir la porte de l'autre main. Le port de gants est nécessaire.

POUR VOTRE SÉCURITÉ

Veuillez lire et observer toutes les mises en garde (AVERTISSEMENT et ATTENTION) données dans les présentes directives.

Pour effectuer l'installation décrite dans les présentes directives, il faut porter des gants et des lunettes de sécurité.

IMPORTANT – Observez tous les codes et ordonnances en vigueur.

• **Note à l'installateur** – Veuillez laisser les présentes directives au consommateur pour l'inspecteur local.

• **Note au consommateur** – Veuillez conserver les présentes directives avec votre Manuel d'utilisation pour consultation ultérieure.

• **Compétences requises** – L'installation de ce lave-vaisselle exige des compétences de base en mécanique, en électricité et en plomberie. **L'installateur est responsable de la qualité de l'installation. Toute défaillance du produit attribuable à une installation inadéquate n'est pas couverte par la garantie de GE Appliances. Reportez-vous à la garantie du produit.**

• **Durée de l'installation – Entre 1 et 3 heures.**

L'installation d'un nouveau lave-vaisselle exige plus de temps que le remplacement d'un ancien modèle.

IMPORTANT – Le lave-vaisselle DOIT être installé de manière à ce qu'il puisse être sorti de son emplacement si des réparations sont nécessaires.

Il importe d'user de prudence lorsque l'appareil est installé ou déplacé afin de prévenir l'endommagement du cordon d'alimentation.

Si le lave-vaisselle que vous avez reçu est endommagé, communiquez immédiatement avec votre détaillant ou l'entrepreneur en construction.

Accessoires facultatifs – Reportez-vous au Manuel d'utilisation pour connaître les ensembles pour panneau décoratif personnalisé offerts.

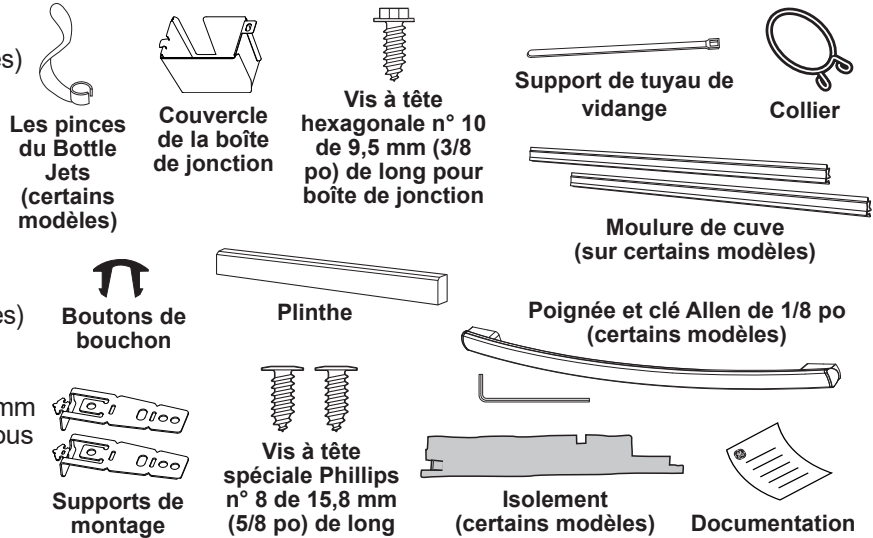
Votre lave-vaisselle est un appareil qui chauffe l'eau.

**VEUILLEZ LIRE ATTENTIVEMENT
CONSERVER CES DIRECTIVES**

Préparation pour l'installation

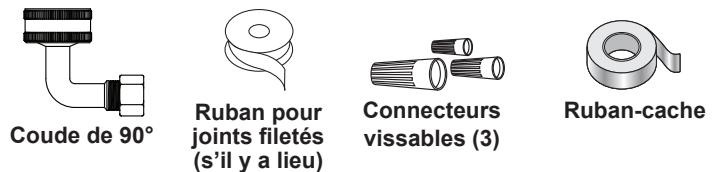
PIÈCES FOURNIES :

- 2 Les pinces du Bottle Jets (certains modèles)
- Couvercle de la boîte de jonction
- Vis à tête hexagonale n° 10
- Support de tuyau de vidange
- Collier
- 2 Boutons de bouchon
- Plinthe (préinstallée sur certains modèles)
- 2 Moulure de cuve (certains modèles)
- Poignée et clé Allen de 1/8 po (certains modèles)
- 2 Supports de montage pour comptoirs ou armoires latérales en bois
- 2 Vis à tête spéciale Phillips n° 8-18 x 15,8 mm (5/8 po) pour fixer le lave-vaisselle au dessous du comptoir ou armoires latérales
- Pièces isolantes (certains modèles)
- Documentation, échantillons et(ou) bons



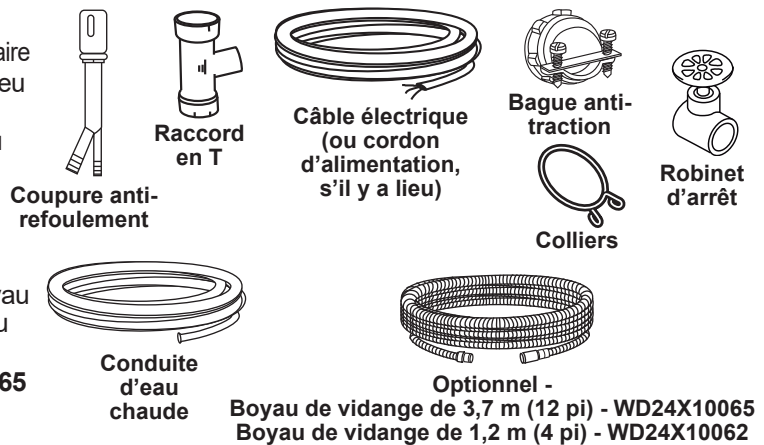
MATÉRIAUX NÉCESSAIRES :

- Coude 90° de 3/4 po GHT (Garden Hose Thread / Filetage à boyau d'arrosage) (joint d'étanchéité inclus) – Avec bout opposé dimensionné pour la conduite d'eau chaude
- Ruban pour joints filetés
- Connecteurs vissables homologués UL (3)
- Ruban-cache



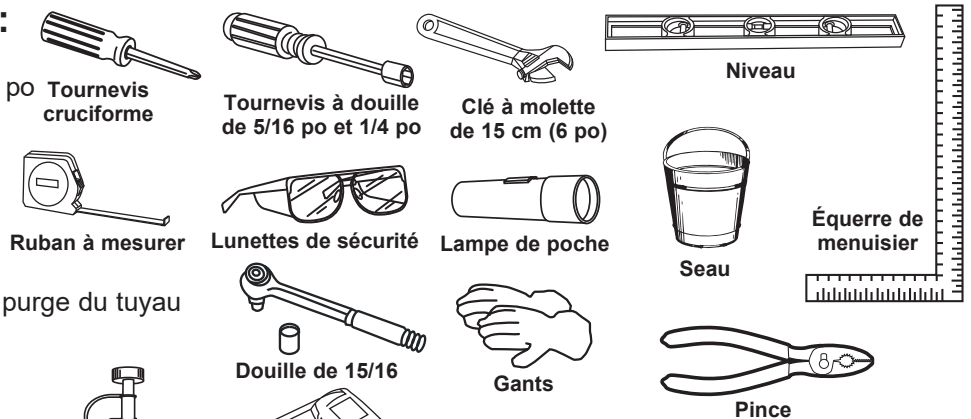
Pour une nouvelle installation :

- Coupure anti-refoulement pour le boyau de vidange, si nécessaire
- Raccord en T pour la plomberie de la résidence, s'il y a lieu
- Trousses de câbles électriques ou de cordons électriques **WX09X70910** (1,65 m (5 pi 5 po de long)) ou **WX09X70911** (2,41 m (7 pi 11 po de long)) uniquement
- Bague anti-traction pour le raccordement électrique
- Colliers
- Robinet d'arrêt (recommandé)
- Conduite d'eau chaude – 9,5 mm (3/8 po) minimum, tuyau en cuivre (incluant la bague et l'écrou à compression) ou la pièce **WX28X326** de GE, boyau métallique flexible.
- Boyau de vidange de 3,7 m (12 pi) de long **WD24X10065** ou boyau de vidange de 1,2 m (4 pi) de long **WD24X10062** si nécessaire



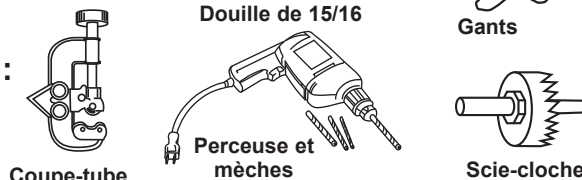
OUTILS NÉCESSAIRES :

- Tournevis cruciforme
- Tournevis à douille de 5/16 po et 1/4 po
- Clé à molette de 15 cm (6 po)
- Niveau
- Équerre de menuisier
- Ruban à mesurer
- Lunettes de sécurité
- Lampe de poche
- Seau pour attraper l'eau lors de la purge du tuyau
- Douille de 15/16 po
- Gants
- Pince



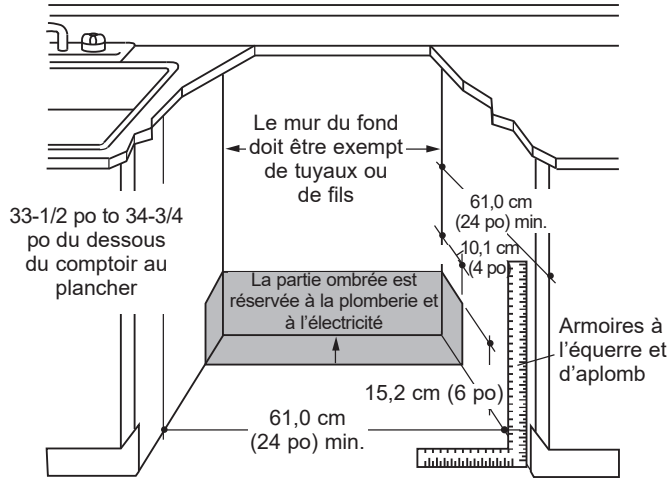
Pour une nouvelle installation :

- Coupe-tube
- Perceuse et mèches appropriées
- Jeu de scie-cloche



Préparation pour l'installation

PRÉPARATION DE L'OUVERTURE DANS LES ARMOIRES



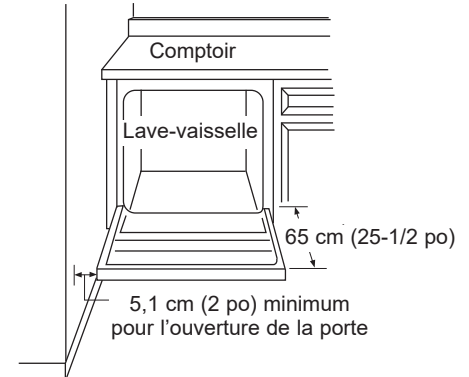
- L'ouverture dans les armoires doit mesurer au moins 61,0 cm (24 po) de largeur et de profondeur, et environ 87,6 cm (34-1/2 po) de hauteur à partir du plancher jusqu'au-dessous du comptoir.
- Le lave-vaisselle doit être installé de façon à ce que le boyau de vidange mesure au maximum 4,88 mètres (16 pieds) pour assurer une vidange adéquate.
- Le dessus, les côtés et l'arrière du lave-vaisselle doivent être complètement dissimulés à l'intérieur de l'ouverture. Le lave-vaisselle ne doit soutenir aucune partie de la structure des armoires.

▲ AVERTISSEMENT Pour réduire les risques de choc électrique, d'incendie ou de blessures, l'installateur doit s'assurer que le lave-vaisselle est complètement encastré au moment de l'installation.

DIMENSION DE LA POIGNÉE DU LAVE-VAISSELLE : La porte de ce lave-vaisselle doit être à niveau avec l'armoire. Pour les modèles avec poignée, la profondeur totale (avec poignée) est de 67,9 cm (26 1/4 po) maximum selon le modèle. Consultez le document de spécifications rapides en ligne pour obtenir plus de dimension de lave-vaisselles.

DÉGAGEMENTS:

- Dans le cas d'une installation dans un coin, veuillez prévoir un dégagement d'au moins 5,1 cm (2 po) entre le lave-vaisselle et les armoires, le mur ou un électroménager adjacent. Veuillez prévoir un dégagement d'au moins 65 cm (25-1/2 po) à l'avant du lave-vaisselle pour l'ouverture de la porte.



EXIGENCES RELATIVES AU SYSTÈME DE VIDANGE

- Veuillez observer les ordonnances et les codes locaux en vigueur.
- Le boyau de vidange doit avoir une longueur maximale de 4,88 mètres (16 pieds).

REMARQUE : Il faut installer une coupure anti-refoulement si le raccord au broyeur à déchets ou au raccord en T se trouve à moins de 46 cm (18 po) au-dessus du plancher afin d'éviter un siphonage.

CHOIX DE LA MÉTHODE DE VIDANGE

Le type d'installation de vidange dépend des conditions suivantes.

- Les ordonnances ou codes locaux en vigueur exigent-ils une coupure anti-refoulement?
- Le raccord T se trouve-t-il à moins de 46cm (18po) du plancher?

Si vous répondez OUI à l'une ou l'autre de ces questions, vous DEVEZ utiliser la méthode n° 1.

- Si vous répondez NON, vous pouvez employer l'une ou l'autre des méthodes.

PRÉPARATION DES ARMOIRES

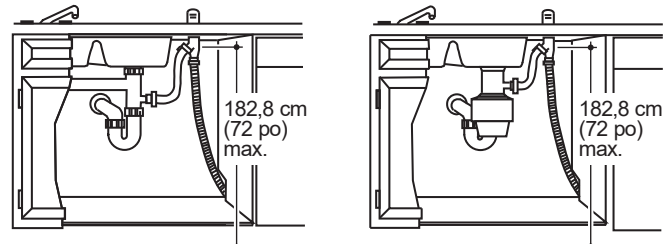
- Percez un trou de 3,8 cm (1-1/2 po) de diamètre dans la paroi de l'armoire qui se trouve dans la partie ombrée de la **PRÉPARATION DE L'OUVERTURE DANS LES ARMOIRES** pour le boyau de vidange. Assurez-vous que l'orifice ne présente pas d'arêtes vives.

IMPORTANT – Lorsque vous branchez le boyau de vidange à un broyeur à déchets, assurez-vous d'enlever le bouchon de vidange. **LE LAVE-VAISSELLE NE POURRA PAS SE VIDER SI VOUS LAISSEZ LE BOUCHON EN PLACE.**

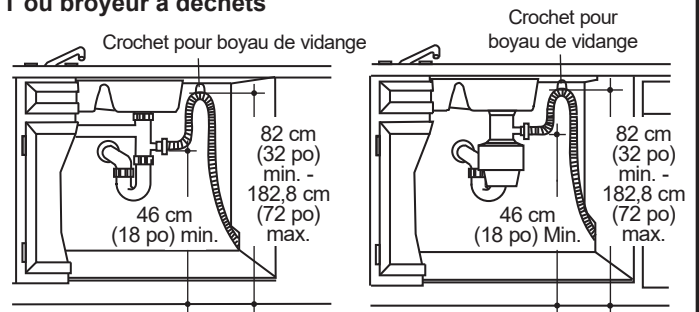


Méthode n° 1 – Coupure anti-refoulement avec raccord en T ou broyeur à déchets

Il faut installer une coupure anti-refoulement lorsqu'elle est exigée par les ordonnances et les codes locaux en vigueur. Cette coupure anti-refoulement doit être installée conformément aux directives données par le fabricant.



Méthode n° 2 – Boucle de vidange élevée avec raccord en T ou broyeur à déchets



Conseil: Pour éviter des frais de réparation inutiles. Assurez-vous d'enlever le bouchon de vidange du broyeur à déchets avant d'y brancher le boyau de vidange du lave-vaisselle.

Préparation pour l'installation

PRÉPARATION DU CÂBLAGE ÉLECTRIQUE

⚠ AVERTISSEMENT

Avant de commencer l'installation, coupez toute alimentation menant de l'appareil au disjoncteur ou au fusible. Dans le cas contraire, vous pourriez être victime d'une décharge électrique.

ALIMENTATION ÉLECTRIQUE

Assurez-vous que le branchement électrique et le calibre du fil sont adéquats et conformes avec la version récente de la norme ANSI/NFPA 70, le Code national de l'électricité, tous les règlements et toutes les ordonnances de votre région.

L'alimentation électrique de cet appareil doit être :

- 120 V, 60 Hz, en courant alternatif seulement, avec un fusible de 15 ou 20 A.
- Le câble électrique doit posséder deux fils, plus un fil de mise à la terre, et résister à une température nominale de 75 °C (167 °F).
- Si votre alimentation électrique ne répond pas à ces exigences, appelez un électricien agréé avant de poursuivre l'installation.

Nous recommandons d'avoir :

- Un disjoncteur ou fusible temporisé.
- Un circuit de dérivation individuel mis à la terre approprié.

Mise à la terre – Branchement permanent

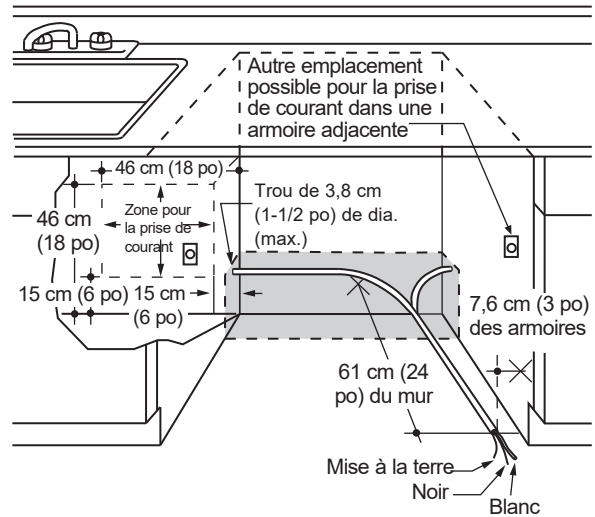
Cet appareil doit être branché à un réseau électrique permanent mis à la terre. Sinon, il faut installer un conducteur de mise à la terre avec les conducteurs du circuit et le brancher à la borne de mise à la terre du réseau ou au fil de mise à la terre de l'appareil.

Mise à la terre – Modèles dotés d'un cordon d'alimentation

Cet appareil doit être mis à la terre. En cas de mauvais fonctionnement ou de défaillance, la mise à la terre réduira les risques de choc électrique en fournissant au courant électrique un circuit de moindre résistance. Cet appareil est doté d'un cordon d'alimentation possédant un conducteur de mise à la terre et une fiche de mise à la terre. La fiche doit être branchée dans une mise appropriée, installée et mise à la terre en conformité avec tous les codes locaux et ordonnances en vigueur.

⚠ AVERTISSEMENT

Un branchement inadéquat du conducteur de mise à la terre peut présenter des risques de choc électrique. Si vous n'êtes pas certain que l'appareil est correctement mis à la terre, consultez un réparateur ou un électricien qualifié. Si le câblage électrique de la résidence n'est pas constitué de deux fils plus un fil de mise à la terre, l'installateur doit installer un fil de mise à la terre. Si le câblage électrique de la résidence est en aluminium, utilisez un agent antioxydant et des connecteurs pour raccords «aluminium-cuivre» homologués UL.



⚠ AVERTISSEMENT

Dans le cas des modèles dotés d'un cordon d'alimentation : Ne modifiez pas la fiche fournie avec l'appareil; si vous ne pouvez pas la brancher dans la prise de courant, faites installer une prise de courant appropriée par un technicien qualifié.

Préparation des armoires et cheminement des fils

- Les fils peuvent entrer dans l'ouverture du côté droit, du côté gauche, de l'arrière ou du plancher dans la partie ombrée de la figure et de la **PRÉPARATION DE L'OUVERTURE DANS LES ARMOIRES**.
- Percez un trou de 3,8 cm (1-1/2 po) de diamètre au maximum pour le passage du câble électrique. Le bord du trou doit être lisse et arrondi. Les fils électriques pour le branchement permanent peuvent passer par le même trou que le boyau de vidange et la conduite d'eau chaude, si c'est plus pratique. Si le trou est pratiqué dans une paroi en métal, les bords de l'orifice doivent être recouverts d'un passe-fils pour protéger les fils.

REMARQUE: Le cordon d'alimentation doté d'une fiche doit passer par un autre trou dans l'armoire.

Branchement électrique du lave-vaisselle

Le branchement électrique s'effectue du côté avant droit du lave-vaisselle.

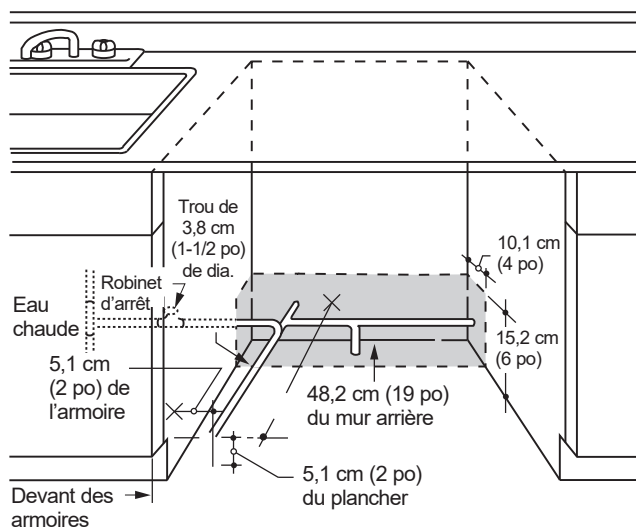
- Dans le cas d'un branchement permanent, le câble doit être acheminé de la façon indiquée à la figure. Le câble doit avoir une longueur minimale de 61 cm (24 po) à partir du mur arrière.
- Dans le cas d'un branchement avec un cordon d'alimentation, installez une prise de courant mise à la terre à trois broches sur la paroi de l'armoire adjacente, entre 15 cm (6 po) et 46 cm (18 po) de l'ouverture, et entre 15 cm (6 po) et 46 cm (18 po) du plancher.
- Utilisez uniquement **WX09X70910** (1,65 m (5 pi 5 po de long)) ou **WX09X70911** (2,41 m (7 pi 11 po de long)) Trousse de cordon d'alimentation pour lave-vaisselle. N'utilisez pas une rallonge électrique ou un adaptateur de fiche avec cet appareil.

Préparation pour l'installation

PRÉPARATION DE L'ALIMENTATION EN EAU CHAUDE

REMARQUE: Nous recommandons l'utilisation d'un tuyau en cuivre pour la conduite d'alimentation en eau, mais vous pouvez choisir un boyau flexible tressé no **WX28X326** de GE Appliances.

- La conduite d'alimentation en eau (tuyau de cuivre de 9,5 mm [3/8 po] ou boyau flexible tressé) peut entrer du côté gauche, du côté droit, de l'arrière ou du plancher dans la partie ombrée indiquée dans la figure.
- La conduite d'alimentation en eau doit passer dans le même trou que le câble électrique et le boyau de vidange. Ou vous pouvez percer un trou supplémentaire de 3,8 cm (1-1/2 po) de diamètre pour le passage de la conduite d'eau. Si l'appareil est doté d'un cordon d'alimentation pourvu d'une fiche, la conduite d'eau chaude ne doit pas passer par le même trou que le cordon d'alimentation.



Raccordement de la conduite d'eau chaude

- Si vous utilisez un boyau flexible tressé, étiquetez le boyau et indiquez la date d'installation à des fins de référence. Les boyaux flexibles, coudés et joints tressés doivent être remplacés dans 5 ans.
- Coupez l'alimentation en eau.
- Installez un robinet d'arrêt à un endroit accessible, par exemple sous l'évier. (Cette installation est facultative, mais fortement recommandée, et peut même être exigée par les codes locaux en vigueur.)
- Le raccordement de la conduite d'eau s'effectue du côté gauche du lave-vaisselle. Installez la conduite d'eau chaude en utilisant un tuyau en cuivre de 9,5 mm (3/8 po) ou plus ou boyau flexible tressé. Acheminez la conduite d'eau de la façon indiquée dans la **PRÉPARATION DE L'ALIMENTATION EN EAU CHAUDE** et amenez-la vers l'avant à au moins 48,2 cm (19 po) du mur arrière.
- Réglez le chauffe-eau à une température variant entre 49 °C (120 °F) et 65 °C (140 °F).
- Rincez la conduite d'eau pour éliminer tous les débris. Recueillez l'eau et les débris à l'aide d'un seau.
- La pression de la conduite d'alimentation en eau chaude doit varier entre 1,4 bar (20 lb/po²) et 8,3 bars (120 lb/po²).

PRÉPARATION

Prenez les pièces fournies dans l'emballage et mettez-les de côté:

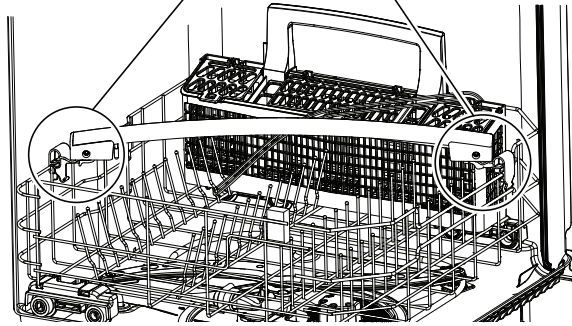
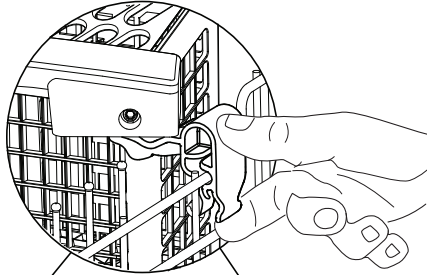
- Ensemble de vis
- Couvercle de la boîte de jonction
- Boyau de vidange et collier
- Supports de montage
- Moulures (certains modèles)
- Crochet pour boyau de vidange
- Pièces isolantes (certains modèles)
- Plinthe (préinstallée sur certains modèles)
- Manuel d'utilisation
- Échantillons et(ou) bons

Tournez la page pour commencer l'installation du lave-vaisselle.

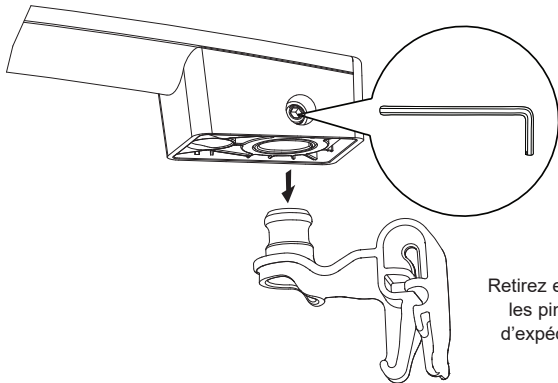
Installation du lave-vaisselle

ÉTAPE 1 INSTALLATION DE LA POIGNÉE (certains modèles)

- Retirez la poignée emballée du panier inférieur en tirant ses pinces vers le haut pour les retirer.

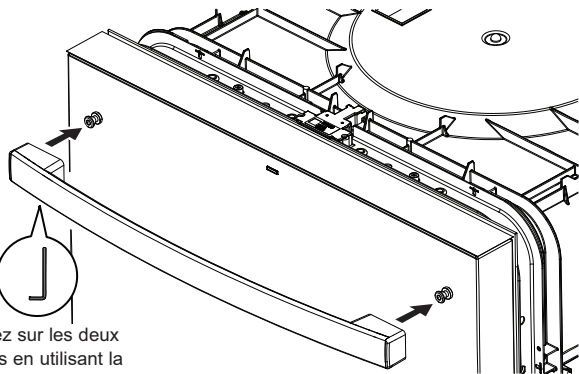


- Avec la clé Allen de 1/8 po fournie, dévissez les vis de serrage pour retirer les pinces d'expédition et les jeter.



Retirez et jetez les pinces d'expédition

- Placez la poignée sur les fixations de montage de la porte du lave-vaisselle en positionnant les vis de serrage vers le bas puis serrez les vis de serrage avec la clé Allen.



Fixez sur les deux côtés en utilisant la clé Allen de 1/8 po

ÉTAPE 2 VÉRIFICATION DE L'ÉQUILIBRE DE LA PORTE

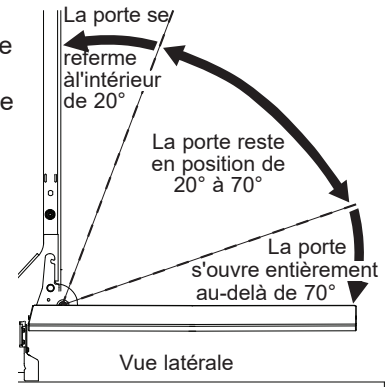
ATTENTION

Ouvrir la porte causera le basculement du lave-vaisselle vers l'avant si son installation n'est pas complètement terminée. Pour ouvrir la porte avant la finalisation de l'installation, agrippez le haut du lave-vaisselle fermement avec une main et tenir la porte de l'autre main. Le port de gants est nécessaire.



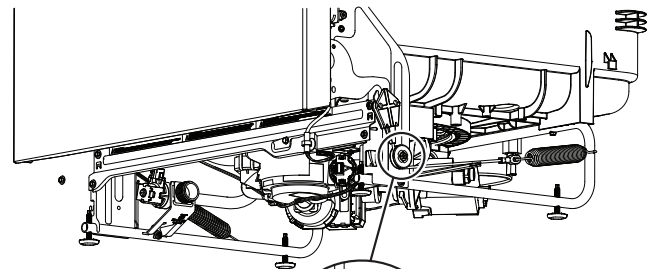
Pour vérifier l'équilibre de la porte, fermement maintenir le haut du lave-vaisselle.

- Vérifiez l'équilibre de la porte en l'ouvrant et en la fermant.
- La porte est correctement équilibrée si, étant ouverte, elle se referme d'elle-même à l'intérieur de 20° de la verticale, reste en position de 20° à 70°, et s'ouvre entièrement au-delà de 70°.

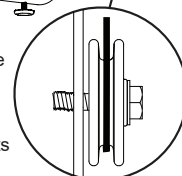


REMARQUE : Les ressorts ne sont pas réglables.

Conseil : Pour que la porte ouvre et se ferme facilement. Vérifiez la porte en l'ouvrant et en la fermant. Si elle n'ouvre pas facilement ou s'ouvre trop rapidement, vérifiez la disposition du câble du ressort. Le câble est retenu en place par des «épaulements» sur la poulie. Assurez-vous que le câble est bien installé sur les épaulements de la poulie comme indiqué.



S'assurer que le câble de poulie se trouve entre les épaulements de la poulie



Vue avant

Installation du lave-vaisselle

ÉTAPE 3 ENLÈVEMENT DE LA BASE DE BOIS, INSTALLATION DES PIEDS DE NIVELLEMENT

REMARQUE : Certains modèles ont une base en bois attachée.

ATTENTION

N'enlevez pas la base de bois avant d'être prêt à installer le lave-vaisselle. Si vous enlevez la base de bois, le lave-vaisselle pourrait basculer lorsque vous ouvrez la porte.

IMPORTANT – Ne frappez pas sur la base de bois pour l'enlever! Vous endommageriez ainsi l'appareil.

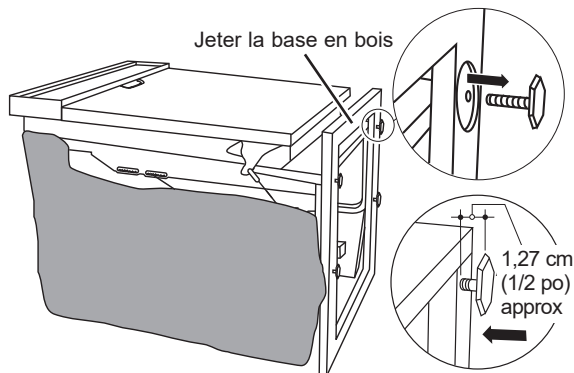
• Amenez le lave-vaisselle à proximité de son emplacement définitif et couchez-le sur le dos.

REMARQUE : Ne placez pas le lave-vaisselle sur un de ses côtés.

• Pour les modèles avec une base en bois fixée, enlevez les quatre pieds de nivellement sous la base de bois à l'aide d'une clé à douille de 24 cm (15/16 po).

• Retirez la base.

• Avec clé à douille de 24 mm (15/16 po), réglez les pieds de nivellement à l'intérieur du cadre du lave-vaisselle à environ 13 mm (1/2 po) du cadre, comme montré.

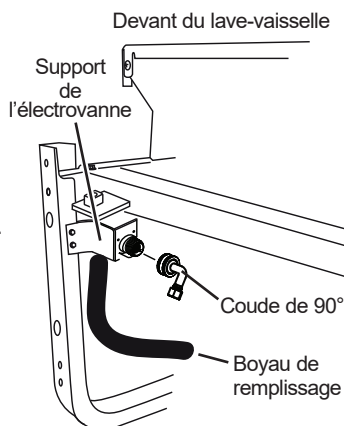


ÉTAPE 4 INSTALLATION DU COUDE DE 90°

• Vissez le 19,1 mm [3/4 po] tuyau d'arrosage de jardin de coude de 90° dans l'électrovanne. Assurez-vous que le joint d'étanchéité en caoutchouc se situe entre l'électrovanne et le coude.

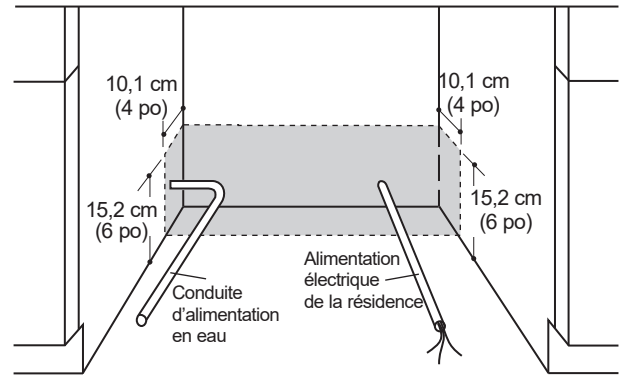
• Ne serrez pas le coude de façon excessive; le support de l'électrovanne pourrait se déformer ou le raccord de l'électrovanne pourrait se casser.

• Tournez l'extrémité du coude pour qu'il pointe vers l'arrière du lave-vaisselle.



ÉTAPE 5 POSITIONNEMENT DE LA CONDUITE D'EAU ET DE L'ALIMENTATION ÉLECTRIQUE

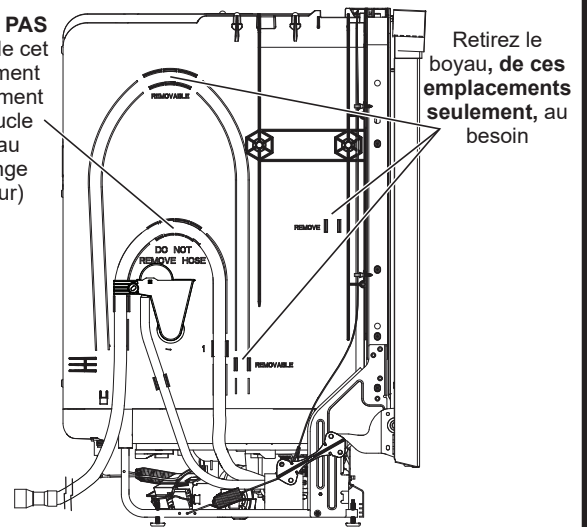
• Positionnez la conduite d'alimentation en eau et le câblage de la résidence sur le plancher de l'ouverture afin qu'ils n'entrent pas en contact avec la base du lave-vaisselle et les pièces sous l'appareil.



ÉTAPE 6 INSERTION DU BOYAU DE VIDANGE DANS L'ORIFICE DE L'ARMOIRE

• Détachez le boyau de la cuve aux emplacements indiqués. **REMARQUE :** Ne retirez pas la boucle du boyau de vidange supérieur.

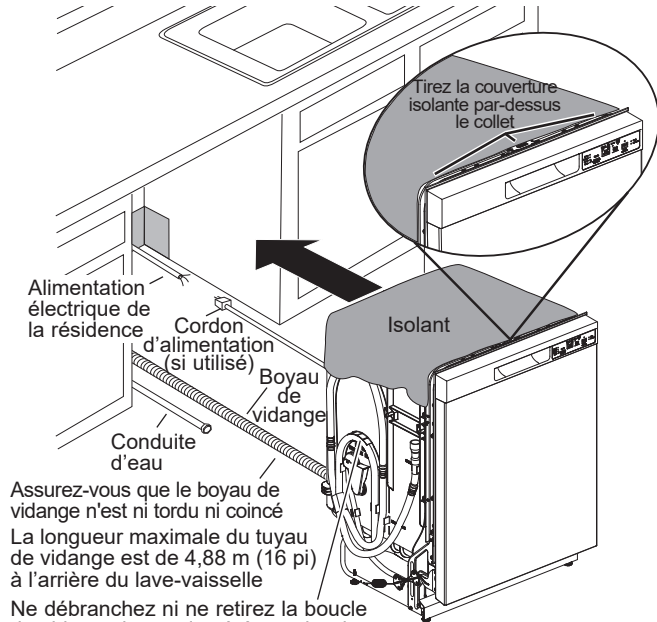
NE retirez PAS le boyau de cet emplacement (emplacement de la boucle du boyau de vidange supérieur)



Installation du lave-vaisselle

ÉTAPE 6 INSERTION DU BOYAU DE VIDANGE DANS L'ORIFICE DE L'ARMOIRE (SUITE)

- Placez le lave-vaisselle vis-à-vis de l'ouverture dans les armoires. Insérez le boyau de vidange dans l'orifice que vous avez précédemment percé dans la paroi des armoires. Si l'appareil est doté d'un cordon d'alimentation, faites passer l'extrémité du cordon dans un l'ouverture dans les armoires distinct.



Assurez-vous que le boyau de vidange n'est ni tordu ni coincé
La longueur maximale du tuyau de vidange est de 4,88 m (16 pi) à l'arrière du lave-vaisselle

Ne débranchez ni ne retirez la boucle de vidange haute du côté gauche du lave-vaisselle

Conseil: Pour éviter des frais de réparation inutiles pour des problèmes de remplissage, de vidange ou de bruit.

Placez la conduite d'eau et le câble électrique de manière à ce qu'ils n'entrent pas en contact avec quoi que ce soit à l'arrière ou en dessous du lave-vaisselle.

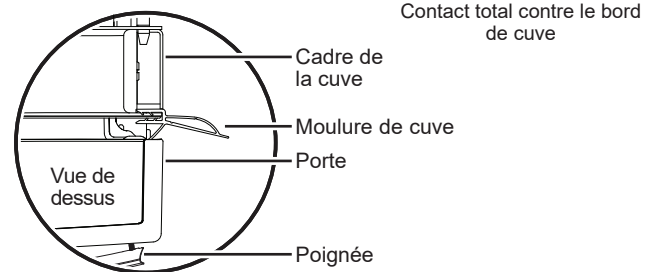
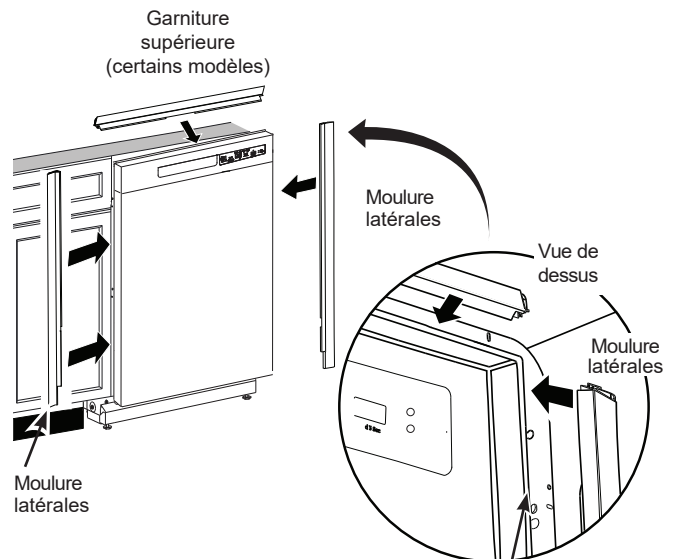
Repositionnez la couverture isolante par-dessus le collet, comme illustré.

ÉTAPE 7 INSERTION AUX TROIS QUARTS DU LAVE-VAISSELLE DANS L'OUVERTURE (SUITE)

- Tirez sur le boyau de vidange et le cordon d'alimentation, s'il y a lieu, par les trous des armoires adjacentes au fur et à mesure. Arrêtez lorsque le lave-vaisselle dépasse le devant des armoires adjacentes d'environ 15 cm (6 po).
- Assurez-vous que le boyau de vidange n'est pas plié à l'arrière ou en dessous du lave-vaisselle.
- Assurez-vous que le câble électrique de la résidence, le boyau de vidange et la conduite d'eau n'entrent pas en contact avec des pièces sous le lave-vaisselle.

ÉTAPE 8 INSTALLATION DES MOULURES

Au cours de cette étape, vous aurez besoin des moulures mises de côté à l'étape 1.

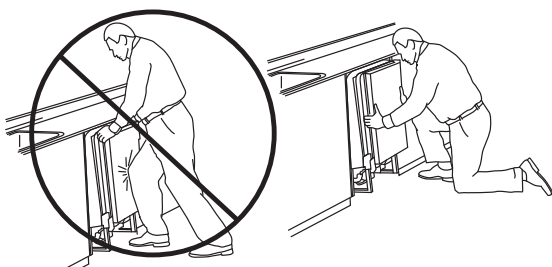


- Prenez la garniture supérieure et centrez-la avec le loquet supérieur. Appuyez la garniture contre le support de gaine en la déplaçant de gauche à droite.
- Prenez la garniture gauche. Alignez le bord supérieur de la garniture et appuyez-le contre le côté gauche du support de gaine en le déplaçant de haut en bas. Répétez cette étape pour le côté droit de la garniture.

ÉTAPE 7 INSERTION AUX TROIS QUARTS DU LAVE-VAISSELLE DANS L'OUVERTURE

IMPORTANT – Ne poussez pas sur le panneau avant avec vos genoux. Vous pourriez endommager l'appareil.

- Saisissez le panneau avant de l'appareil par les côtés et faites glisser le lave-vaisselle dans l'ouverture de quelques centimètres ou pouces à la fois.



Ne poussez pas sur le panneau avant de la porte avec votre genou. Vous risquez d'endommager le panneau de porte.

Installation du lave-vaisselle

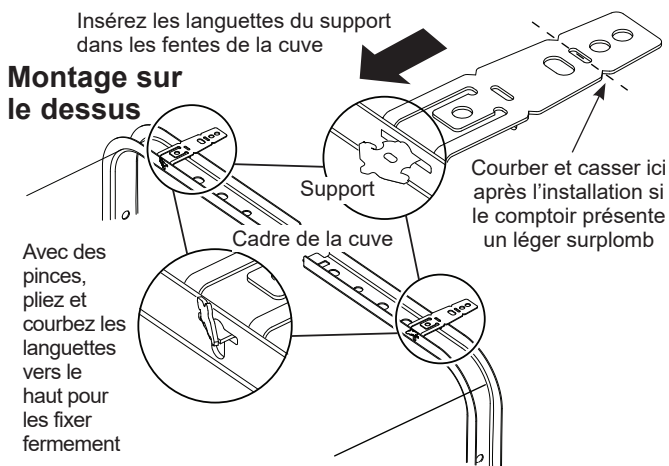
ÉTAPE 9 INSTALLATION DES SUPPORTS DE MONTAGE

Vous aurez besoin des supports de montage mis de côté à l'étape 1.

Vous devez poser les supports de montage sur le dessus **OU** les côtés du cadre de la cuve du lave-vaisselle avant de glisser le lave-vaisselle en place sous le comptoir.

Posez les supports de montage sur le dessus si le dessous du comptoir est en bois ou un matériau similaire qui accepte les vis :

Installez les supports en insérant les languettes dans les fentes du cadre de cuve, comme montré. **REMARQUE :** Vous pouvez devoir manœuvrer les languettes dans les fentes.



Avec des pinces, pliez et courbez les languettes vers le haut pour les fixer fermement, comme montré.

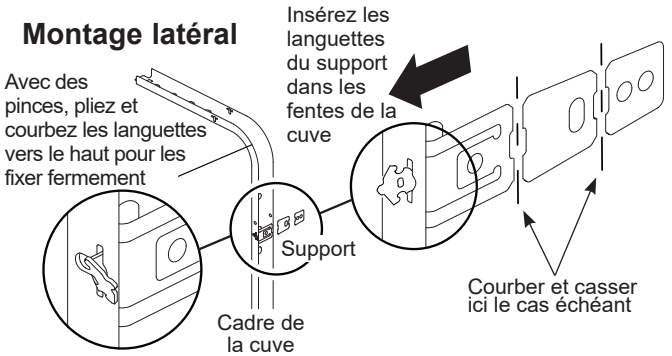
IMPORTANT - Après installation des supports et avant de fermer la porte du lave-vaisselle, ajustez les supports en les pliant de façon à ce qu'ils ne soient pas en contact avec le haut de la porte du lave-vaisselle et ne causent pas de dommage.

- Si vous installez le lave-vaisselle sous un comptoir dont la profondeur est plus courte, il est possible que les supports pour le comptoir dépassent à l'avant du comptoir. Si c'est le cas, supprimez la longueur excédentaire en courbant à répétition les supports vis-à-vis de l'encoche avant seulement, jusqu'à la cassure.

ÉTAPE 9 INSTALLATION DES SUPPORTS DE MONTAGE (SUITE)

Posez les supports de montage sur les côtés si le comptoir est en granite ou un matériau similaire qui n'accepte pas les vis à bois :

- Cassez la partie avant de la support à l'aide de pince à l'endroit indiqué, avant la fixation sur le lave-vaisselle.
- Installez les supports en insérant les languettes dans les fentes du cadre de la cuve, comme montré. **REMARQUE :** Vous pouvez devoir manœuvrer les languettes dans les fentes.



ÉTAPE 10 INSTALLATION DU LAVE-VAISSELLE DANS SON EMPLACEMENT DÉFINITIF

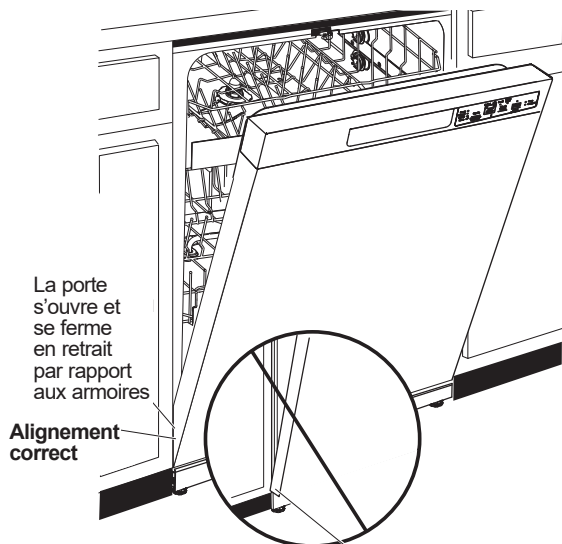
- Vérifiez l'isolant de la cuve, s'il y a lieu, pour vous assurer qu'il enveloppe complètement la cuve. L'isolant ne doit pas «retrousser» ou entrer en contact avec les ressorts de la porte. Si l'isolant est «déplacé» ou entre en contact avec les ressorts, remplacez-le correctement avant de faire glisser l'appareil dans son emplacement définitif.
- Faites glisser le lave-vaisselle dans son emplacement définitif en poussant sur les côtés du panneau de la porte. Abstenez-vous de pousser ou tirer la porte en position fermée ou partiellement ouverte lors du déplacement du lave-vaisselle. Ne poussez pas sur le centre du panneau avec votre genou. Vous pourriez endommager le panneau.
- Le lave-vaisselle est à son emplacement définitif lorsque les bords du panneau avant sont à égalité avec les armoires adjacentes et que le lave-vaisselle est bien centré dans l'ouverture. Avant de fixer le lave-vaisselle sur l'armoire, assurez-vous qu'il est placé d'équerre dans l'ouverture, aussi bien dans sa partie inférieure que supérieure.

IMPORTANT – Avant d'ouvrir la porte du lave-vaisselle, assurez-vous que les bords du panneau de porte du lave-vaisselle sont en retrait par rapport au devant des armoires adjacentes, et non pas appuyés contre le devant des armoires. Reportez-vous à la figure ci-dessous. Si vous ouvrez la porte du lave-vaisselle et que le bord de la porte est appuyé contre le devant des armoires, vous pourriez endommager la porte du lave-vaisselle et les armoires.

Installation du lave-vaisselle

ÉTAPE 10 INSTALLATION DU LAVE-VAISSELLE DANS SON EMPLACEMENT DÉFINITIF (SUITE)

- Vérifiez l'alignement du lave-vaisselle avant d'ouvrir la porte afin de prévenir tout dommage au panneau de la porte.
- Ouvrez et fermez la porte du lave-vaisselle pour vous assurer qu'elle fonctionne correctement et qu'elle ne frotte pas contre les armoires adjacentes.



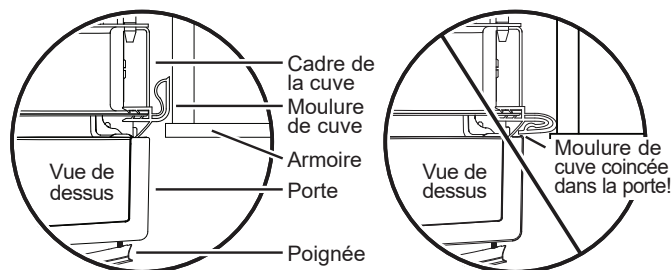
Un alignement incorrect causera des dommages à la porte. La porte est appuyée contre le devant des armoires.

Conseil: Pour éviter des frais de réparation inutiles pour des dommages au panneau avant ou un problème d'efficacité de lavage.

Assurez-vous que la conduite d'eau et le câble électrique ne sont pas coincés ou écrasés à l'arrière du lave-vaisselle. Une conduite écrasée réduit le débit d'eau.

Assurez-vous que la moulure de cuve ne touche la porte en aucun point

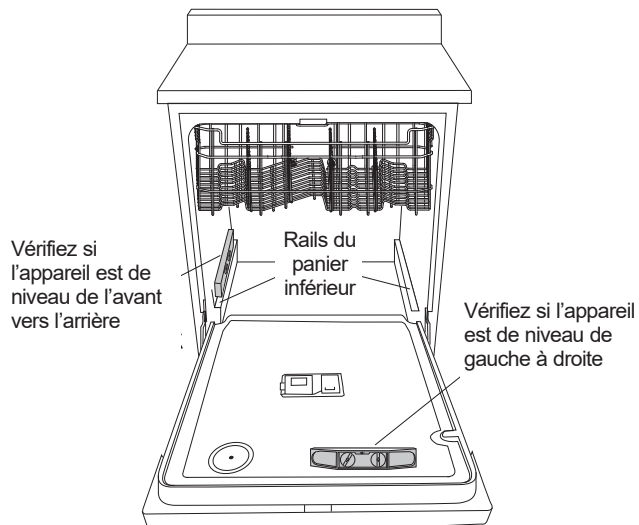
Ne laissez pas la moulure de cuve se coincer dans la porte ou entrer en contact avec celle-ci



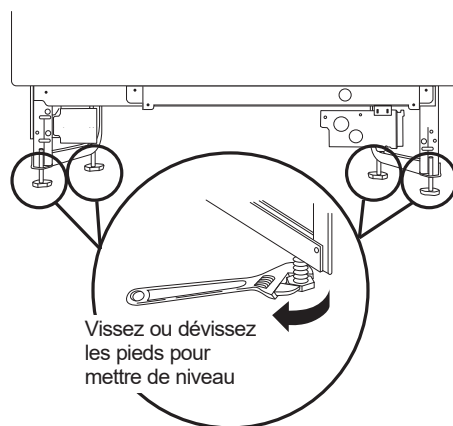
Si nécessaire, la moulure de cuve peut être rognée pour assurer le bon fonctionnement de la porte

ÉTAPE 11 MISE DE NIVEAU DU LAVE-VAISSELLE (SUITE)

- Enlevez le panier inférieur et placez un niveau sur la porte et sur le rail du panier inférieur, comme indiqué à la figure.



- Mettez le lave-vaisselle de niveau en vissant ou dévissant chacun des quatre pieds de nivellement sous l'appareil, comme indiqué à la figure. Assurez-vous que les quatre (4) pieds reposent fermement sur le plancher.



- Le lave-vaisselle est correctement de niveau lorsque l'indicateur de niveau est centré de gauche à droite et de l'avant vers l'arrière. La porte du lave-vaisselle devrait se fermer sans frotter contre les côtés de la cuve.
- Remettez en place le panier inférieur.

Conseil: Pour éviter des frais de réparation inutiles, vérifiez si le lave-vaisselle est de niveau.

Sortez les paniers à moitié. Ils doivent demeurer immobiles. Ouvrez et fermez la porte. La porte doit être bien ajustée à l'ouverture de la cuve sans frotter sur les côtés. Si les paniers rentrent ou sortent tout seuls ou si la porte frotte contre les côtés de la cuve, remettez le lave-vaisselle de niveau.

ÉTAPE 11 MISE DE NIVEAU DU LAVE-VAISSELLE

IMPORTANT – Le lave-vaisselle doit être de niveau pour assurer le bon fonctionnement des paniers et de la porte du lave-vaisselle et obtenir une bonne efficacité de lavage. Le lave-vaisselle doit être mis de niveau de gauche à droite, et de l'avant vers l'arrière. De cette façon, les paniers de l'appareil ne rentreront pas ou ne sortiront pas tout seuls, l'eau circulera correctement vers l'orifice d'entrée de la pompe et la porte se fermera sans frotter sur les côtés de la cuve.

Installation du lave-vaisselle

ÉTAPE 12 FIXATION DU LAVE-VAISSELLE AU-DESSOUS DU COMPTOIR OU AUX CÔTÉS DES ARMOIRES

Au cours de cette étape, vous aurez besoin des deux vis à tête spéciale Phillips mises de côté à l'étape 1.

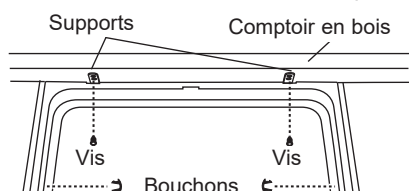
Le lave-vaisselle doit être fixé au dessous du comptoir ou aux côtés des armoires. Lorsque le dessous du comptoir est en bois, utilisez la **Méthode n° 1**. Lorsque le dessous du comptoir est fabriqué à l'aide d'un matériau qui n'accepte pas les vis à bois, par exemple en granite, utilisez la **Méthode n° 2**.

IMPORTANT– Pour éviter tout dommage au panneau de la porte et au tableau de commande, il faut que le lave-vaisselle soit installé de manière que le panneau avant et le tableau de commande n'entrent pas en contact avec les armoires adjacentes ou le comptoir. L'appareil doit être centré entre les 2 armoires. Vissez les vis complètement et bien droites. Les têtes de vis qui dépassent pourraient égratigner le panneau de porte ou le tableau de commande et créer de l'interférence lors de l'ouverture de la porte.

Méthode n° 1

Fixation du lave-vaisselle au dessous d'un comptoir en bois.

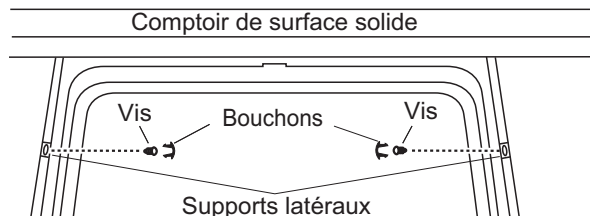
- Revérifiez l'alignement du lave-vaisselle dans l'ouverture des armoires. Reportez-vous aux étapes 12 et 13. Le panneau de porte et(ou) le tableau de commande ne doivent pas entrer en contact avec les armoires ou le comptoir.
- Fixez le lave-vaisselle au dessous du comptoir à l'aide des deux vis à tête spéciale Phillips. Reportez-vous à la figure. Assurez-vous de visser complètement les vis bien droites afin que les têtes soient affleurantes pour ne pas endommager le panneau.
- Les boutons de bouchon doivent être installés pour assurer l'alignement correct de la porte à la cuve. Installez les boutons de bouchon sur le côté de la cuve dans les trous prévus à cet effet.



Méthode n° 2

Fixation du lave-vaisselle aux côtés des armoires.

- Revérifiez l'alignement du lave-vaisselle dans l'ouverture des armoires. Reportez-vous aux étapes 12 et 13. Le panneau de porte et(ou) le tableau de commande ne doivent pas entrer en contact avec les armoires ou le comptoir.
- Fixez le lave-vaisselle au dessous du comptoir à l'aide des deux vis à tête spéciale Phillips. Reportez-vous à la figure. Assurez-vous de visser complètement les vis bien droites afin que les têtes soient affleurantes pour ne pas endommager le panneau.
- Les boutons de bouchon doivent être installés pour assurer l'alignement correct de la porte à la cuve. Installez les boutons de bouchon sur le côté de la cuve dans les trous prévus à cet effet.



ÉTAPE 12 FIXATION DU LAVE-VAISSELLE AU-DESSOUS DU COMPTOIR OU AUX CÔTÉS DES ARMOIRES (SUITE)

- Un fois le lave-vaisselle fixé aux armoires ou au comptoir de cuisine, vérifiez à nouveau qu'il est placé d'équerre dans l'armoire, aussi bien dans sa partie inférieure que supérieure. Procédez à un ajustement si nécessaire.
- Assurez-vous que tous les pieds de nivellement reposent fermement sur le plancher afin de prévenir le balancement du lave-vaisselle et garantir le bon fonctionnement de la porte et du loquet.

ÉTAPE 13 RACCORDEMENT DE L'ALIMENTATION EN EAU

Raccordez la conduite d'alimentation en eau au coude de 90°.

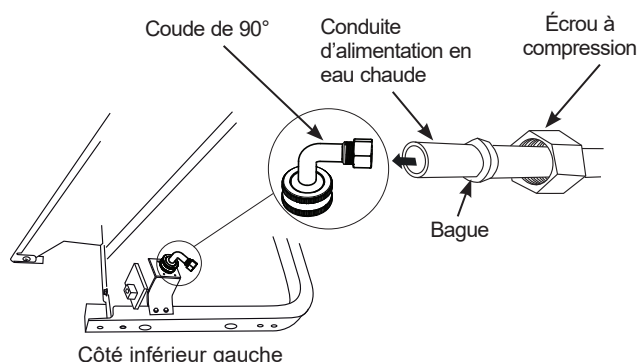
Si vous décidez de faire le raccordement avec un boyau flexible tressé :

- Fixez le coude de 90° avec une clé à molette

Si vous décidez de faire le raccordement avec un tuyau en cuivre :

- Glissez l'écrou à compression puis la bague d'extrémité à l'extrémité de la conduite d'alimentation en eau.
- Insérez la conduite d'alimentation en eau dans le coude de 90°.
- Glissez la bague d'extrémité contre le coude et fixez avec l'écrou à compression.

IMPORTANT – Assurez-vous que les ressorts et(ou) les câbles des ressorts de la porte n'entrent pas en contact avec le boyau de remplissage ou la conduite d'alimentation en eau. Pour vérifier, ouvrez et refermez la porte. Déplacez la conduite d'alimentation en eau ou pliez légèrement le support de l'électrovanne si vous entendez un bruit de frottement ou s'il y a de l'interférence lors de l'ouverture de la porte.

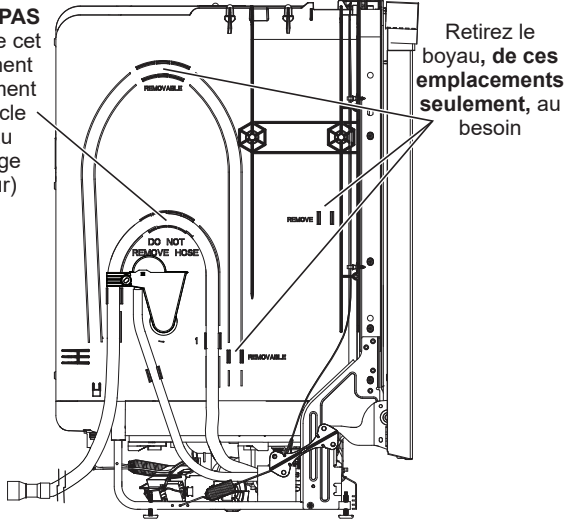


Installation du lave-vaisselle

ÉTAPE 14 RACCORDEMENT DU BOYAU DE VIDANGE

- Le tuyau doit déjà avoir été détaché de la baignoire aux emplacements indiqués. **REMARQUE** : Ne retirez pas la boucle du boyau de vidange supérieur.

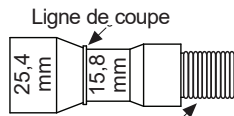
NE retirez PAS le boyau de cet emplacement (emplacement de la boucle du boyau de vidange supérieur)



L'extrémité moulée du boyau de vidange est conçue pour s'installer sur l'orifice d'entrée d'un diamètre variant entre 15,8 mm (5/8 po) et 25,4 mm (1 po) de la coupure anti-refoulement, du raccord en T ou du broyeur à déchets.

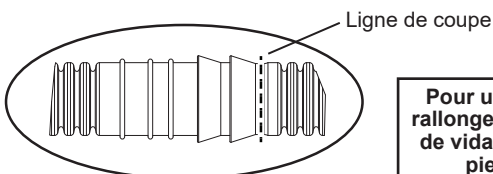
- Mesurez le diamètre de l'orifice d'entrée.

- Coupez le raccord du boyau de vidange à l'endroit indiqué, au besoin, pour qu'il soit bien adapté à l'orifice d'entrée.



IMPORTANT : Ne coupez pas la partie ondulée du boyau

- Si un tuyau de vidange plus long est nécessaire, vous pouvez acheter une rallonge de tuyau de vidange - pièce de rechange GE Appliances **WD24X10062** (longueur 4 pi) ou **WD24X10065** (longueur 12 pi) qui peut être connectée directement au tuyau de vidange déjà attaché à l'unité. Pour utiliser la rallonge, vous devez couper le tuyau de vidange fourni avec l'unité comme illustré. Utilisez un coupe-tuyau ou un couteau à lame de rasoir pour couper le tuyau de vidange.



Pour utiliser la rallonge de tuyau de vidange de 4 pieds :
Seulement coupé à cet endroit

Tuyau de vidange du lave-vaisselle

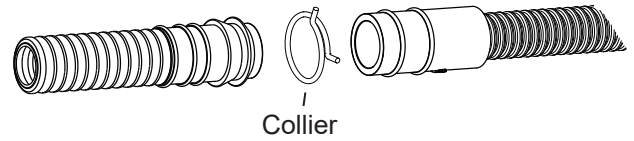
Connexion au lave-vaisselle

Pour utiliser la rallonge de tuyau de vidange de 12 pieds : ne coupez qu'UN de ces deux emplacements

Maison

- LA LONGUEUR TOTALE DU TUYAU DE VIDANGE NE DOIT PAS DÉPASSER 4,88 M (16 PIEDS) DE L'ARRIÈRE DU LAVE-VAISSELLE POUR UN FONCTIONNEMENT CORRECTE DE LA VIDANGE.**

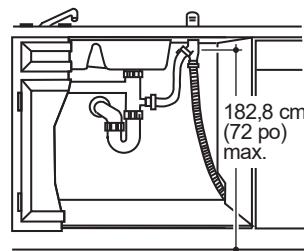
ÉTAPE 14 RACCORDEMENT DU BOYAU DE VIDANGE (SUITE)



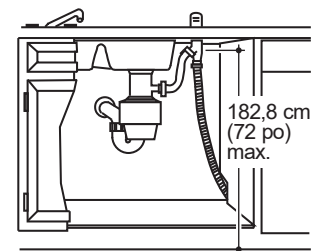
Collier

- Branchez le boyau de vidange à la coupure anti-refoulement, au raccord en T ou au broyeur à déchets à l'aide de la méthode choisie précédemment. Fixez solidement le boyau à l'aide d'un collier.

Méthode n° 1 – Coupure anti-refoulement avec raccord en T ou broyeur à déchets



Installation avec raccord en T

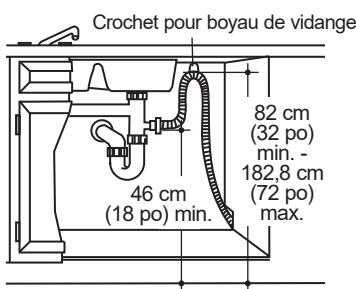


Installation avec broyeur à déchets

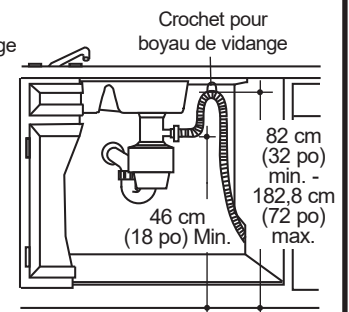
Méthode n° 2 – Boucle de vidange élevée avec raccord en T ou broyeur à déchets

Pour cette méthode, vous aurez besoin du crochet pour boyau de vidange mis de côté à l'étape 1.

Fixez le boyau de vidange au-dessous du comptoir à l'aide du crochet fourni.

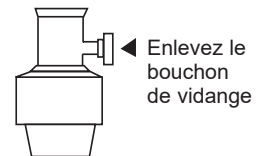


Installation avec raccord en T



Installation avec broyeur à déchets

IMPORTANT – Lorsque vous raccordez le boyau de vidange à un broyeur à déchets, assurez-vous d'enlever le bouchon de vidange. **LE LAVE-VAISSELLE NE SE VIDERA PAS SI LE BOUCHON EST LAISSÉ EN PLACE.**



Enlevez le bouchon de vidange

Conseil: Pour éviter les frais de réparation inutiles pour un problème de vidange.

Tirez sur le boyau de vidange par l'ouverture pratiquée dans les armoires afin d'empêcher le lave-vaisselle d'écraser ou de plier une longueur excessive de boyau.

Installation du lave-vaisselle

ÉTAPE 15 BRANCHEMENT DE L'ALIMENTATION ÉLECTRIQUE

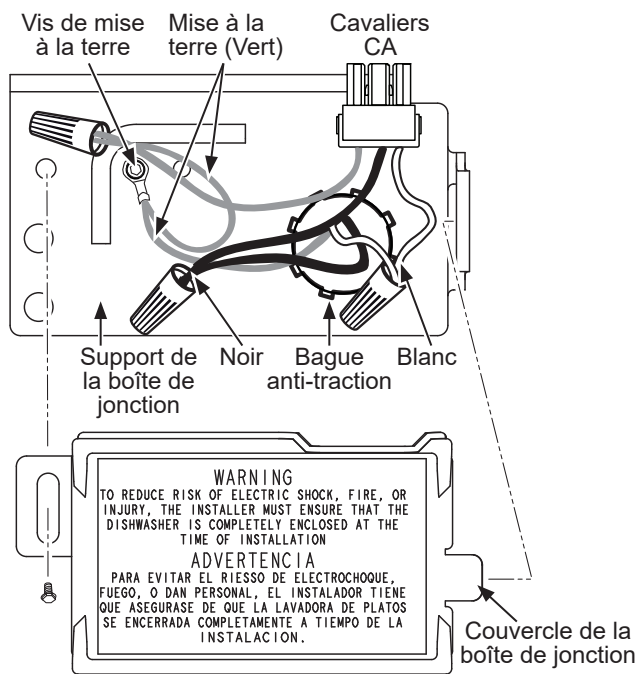
Si un cordon d'alimentation pourvu d'une fiche est déjà installé sur l'appareil, passez à l'étape 18.

▲ AVERTISSEMENT

Pour réduire les risques de choc électrique, d'incendie ou de blessures, l'installateur doit vérifier pour s'assurer que les fils ne sont pas pliés ou endommagés, que le câblage domestique est fixé au support de boîte de connexion par l'entremise d'un serre-câble et que toutes les connexions électriques faites au moment de l'installation (capuchons de connexion) se trouvent à l'intérieur du couvercle de la boîte de connexion.

Au cours de cette étape, vous aurez besoin du couvercle de la boîte de jonction et de la vis à tête hexagonale n° 10, mis de côté à l'étape 1.

- Fixez le câblage de la résidence à l'arrière de la boîte de jonction à l'aide d'une bague anti-traction, comme illustré dans la section MATÉRIEL NÉCESSAIRE.
- Repérez les trois (3) fils du lave-vaisselle, (blanc, noir et vert) avec les bouts dénudés dépassant des cavaliers CA. Utilisez les capuchons de connexion homologués UL de taille appropriée pour connecter le fil de terre arrivant au fil vert, le blanc au blanc et le noir au noir.
- Installez le couvercle de la boîte de jonction à l'aide de la vis à tête hexagonale n° 10. Assurez-vous que les fils ne sont pas coincés sous le couvercle et que tous les capuchons de connexions sont à l'intérieur du couvercle.
- Assurez-vous que le couvercle de la boîte de jonction repose sur le support de montage.



REMARQUE : Toutes les vis et tous les supports et les fils servant de mise à la terre doivent demeurer intacts.

ÉTAPE 16 LISTE DE CONTRÔLE PRÉLIMINAIRE

Passez en revue cette liste après l'installation de votre lave-vaisselle pour éviter des frais de réparation inutiles non couverts par votre Garantie.

- Assurez-vous que le courant électrique est coupé à la source.
- Ouvrez la porte du lave-vaisselle et enlevez tout le matériel d'emballage en carton et en mousse.
- Prenez le Manuel d'utilisation mis de côté à l'étape 1.
- Veuillez lire le Manuel d'utilisation pour vous familiariser avec le fonctionnement de l'appareil.
- Vérifiez l'ouverture et la fermeture de la porte. Si la porte n'ouvre pas et ne se ferme pas librement, vérifiez si le câble du ressort est installé sur la poulie. Si la porte s'ouvre complètement ou se ferme lorsque vous la relâchez, réglez la tension du ressort. Reportez-vous à l'étape 2.
- Assurez-vous que le câblage électrique est bien placé sous le lave-vaisselle, qu'il n'est pas coincé ou qu'il n'entre pas en contact avec les ressorts de la porte ou d'autres pièces de l'appareil. Reportez-vous à l'étape 17.
- Vérifiez si la porte est bien parallèle par rapport à la cuve. Si la porte frotte sur la cuve, mettez le lave-vaisselle de niveau. Reportez-vous aux étapes 13.
- Vérifiez si la porte du lave-vaisselle est bien parallèle par rapport aux armoires. Si la porte frotte contre les armoires, repositionnez le lave-vaisselle. Reportez-vous à l'étape 12.
- Sortez le panier inférieur à moitié. Assurez-vous qu'il ne sort pas complètement ou qu'il ne rentre pas dans le lave-vaisselle. Si tel est le cas, réglez les pieds de nivellement. Reportez-vous à l'étape 13.
- Assurez-vous que les ressorts de la porte n'entrent pas en contact avec la conduite d'alimentation, le boyau de remplissage, le câblage électrique ou toute autre pièce de l'appareil. Reportez-vous à l'étape 12.
- Assurez-vous que la conduite d'alimentation en eau et le boyau de vidange ne sont pas pliés ou n'entrent pas en contact avec d'autres pièces. Tout contact avec le moteur ou le cadre du lave-vaisselle pourrait provoquer l'apparition de bruits.
- Ouvrez le robinet d'eau chaude de l'évier et vérifiez si la température de l'eau varie entre 49 °C (120 °F) et 60 °C (140 °F). La température de l'eau doit être d'au moins 49 °C (120 °F) pour assurer une efficacité de lavage optimale. Reportez-vous à la section **PRÉPARATION DE L'ALIMENTATION EN EAU CHAUDE**.
- Versez deux litres d'eau dans le fond du lave-vaisselle pour lubrifier le joint de la pompe.
- Ouvrez l'alimentation en eau chaude. Vérifiez s'il y a des fuites. Serrez les raccords au besoin.
- Enlevez la pellicule protectrice, s'il y a lieu, sur le tableau de commande et la porte.
- Assurez-vous que la moulure de cuve ne touche pas à la porte.

Installation du lave-vaisselle

ÉTAPE 17 ESSAI DU LAVE-VAISSELLE AVEC DE L'EAU

- Rétablissez l'alimentation électrique ou si l'appareil est doté d'un cordon d'alimentation, branchez-le dans la prise de courant murale.
- Sélectionnez un cycle à exécuter et pressez la touche **Start/Reset** (Démarrer/Réinitialiser).
- Vérifiez que la porte est verrouillée. Le lave-vaisselle devrait démarrer.
- Assurez-vous que le lave-vaisselle se remplit. Si le lave-vaisselle ne se remplit pas d'eau, vérifiez si le robinet de la conduite est ouvert et si le lave-vaisselle est sous tension.
- Vérifiez s'il y a des fuites sous le lave-vaisselle. Si tel est le cas, coupez l'alimentation électrique en déclenchant le disjoncteur, serrez les raccords, puis rétablissez le courant.

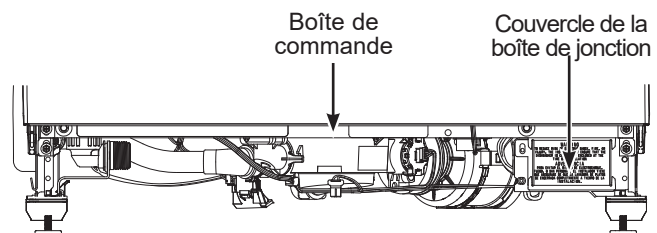
REMARQUE : Une petite quantité d'eau peut être projetée hors de l'entonnoir de remplissage du côté droit de la cuve lors de la première utilisation. Cette projection survient habituellement en présence d'air dans la conduite d'eau d'une nouvelle construction ou si le robinet a été fermé pendant une longue période.

- Vérifiez s'il y a des fuites autour de la porte. Ces fuites peuvent être causées par le frottement de la porte du lave-vaisselle contre les armoires adjacentes. Repositionnez le lave-vaisselle au besoin. Reportez-vous à l'étape 12.
- Maintenez enfoncée la touche **Start/Reset** (Démarrer/Réinitialiser) . durant 3 secondes pour annuler le cycle. L'appareil commencera à se vidanger. Vérifiez le boyau de vidange. S'il présente des fuites, coupez l'alimentation électrique en déclenchant le disjoncteur et corrigez le problème de plomberie, au besoin. Rétablissez le courant après avoir colmaté la fuite. Reportez-vous aux étapes 6, 7, 8, 9 et 16.
- Ouvrez la porte du lave-vaisselle et assurez-vous que la majeure partie de l'eau a été vidangée. Si l'appareil ne s'est pas vidé, assurez-vous que le bouchon de vidange du broyeur à déchets a été enlevé et(ou) que la coupure anti-refoulement est exempte de débris. Vérifiez également le boyau de vidange pour vous assurer qu'il n'est pas coincé en dessous ou à l'arrière du lave-vaisselle. Reportez-vous à l'étape 16.
- Appuyez sur la touche **Start/Reset** (Démarrer/Réinitialiser) une fois de plus et lancer le lave-vaisselle dans un autre cycle. Vérifiez l'absence de fuites et apportez des correctifs si nécessaire.
- Répétez ces étapes que nécessaire.

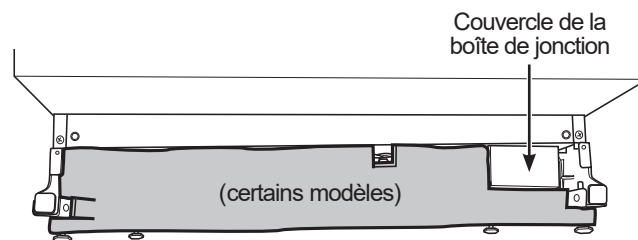
ÉTAPE 18 INSTALLATION DU MATÉRIAU INSONORISANT ET DU MATÉRIAU ISOLANT (certains modèles)

Omettez cette étape si le matériau insonorisant est installé sur le lave-vaisselle.

- Repérez l'emballage du matériau isolant à l'intérieur du lave-vaisselle.
- Repérer la boîte de commande.



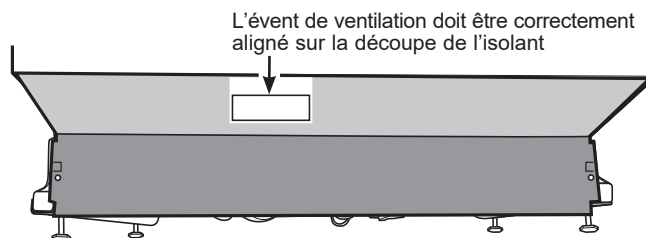
Coller le matériau insonorisant en dessous de la boîte de commande et à niveau avec le panneau frontal, comme illustré.



Le matériau illustrée correctement placée le long au bord inférieur de la boîte de commande, le de la partie inférieure du lave-vaisselle et affleurant la face avant.

Si l'isolant comporte une rallonge (certains modèles), suivez ces étapes supplémentaires:

- Ouvrir la porte complètement ; si elle ne reste pas totalement ouverte, ajuster le panneau d'isolant.
- Alignez les trous de vis avec les trous de vis situées sur les pieds de nivellement de l'appareil.
- Assurez-vous que l'évent de ventilation n'est pas obstrué par l'isolant.

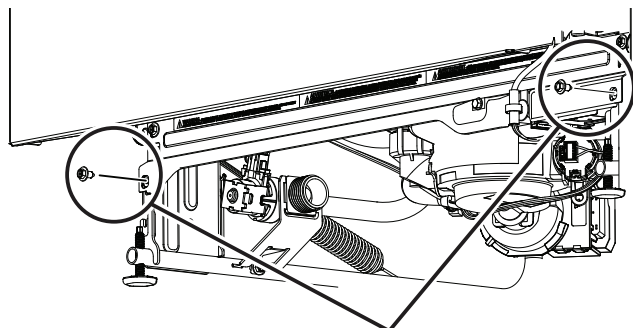


Installation du lave-vaisselle

ÉTAPE 19 INSTALLATION DU PANNEAU INFÉRIEUR

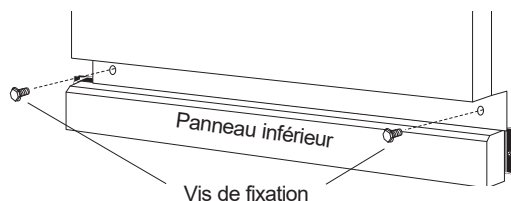
REMARQUE : Sur certains modèles, l'embout peut être préinstallé.

- Retirez les deux (2) installées sur l'équerre de renfort frontal.



Retirez ces deux (2) vis

- Appuyez le panneau inférieur contre les pieds de nivellement du lave-vaisselle.

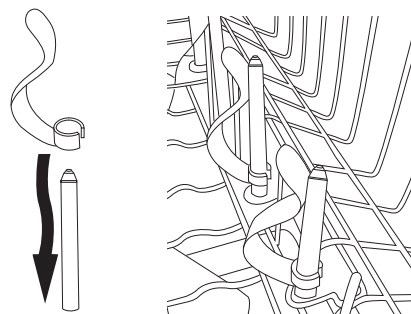


- Alignez le panneau inférieur par rapport au bas de la porte et assurez-vous qu'il repose sur le plancher.
- Insérez et serrez les deux vis de fixation du panneau inférieur. Le panneau inférieur doit demeurer en contact avec le plancher. **REMARQUE :** Évitez le serrage excessif des vis de la plinthe.
- Lorsque vous réinstallez le panneau inférieur, sur les modèles avec écran acoustique, assurez-vous que le bord inférieur est à niveau avec le sol. Tout excès de matériau doit être regroupé derrière la porte extérieure.

Conseil: Pour atténuer le bruit provenant du dessous du lave-vaisselle. Assurez-vous que le panneau inférieur repose sur le plancher.

ÉTAPE 20 INSTALLATION LES PINCES DU BOTTLE JETS (certains modèles)

- Repérez les 2 pinces de jets de bouteille fournis, sur certains modèles, soit dans le panier d'argenterie ou le sac de quincaillerie. Installez la pince sur la tige des jets de bouteille en glissant sa pince sur la buse et en la poussant vers sa base.



ÉTAPE 21 VÉRIFIEZ LES POINTS SUIVANTS

- La moulure de la cuve ne gêne pas la porte
- Le lave-vaisselle est d'équerre et de niveau par rapport au bas et au haut de l'ouverture de l'armoire, sans torsion ni déformation de la cuve ou de la porte
- Les quatre (4) pieds reposent fermement sur le plancher
- Le boyau de vidange n'est pas coincé entre le lave-vaisselle et les armoires ou les murs adjacents
- La moulure de cuve repose entièrement contre le bord de la cuve

ÉTAPE 22 DOCUMENTATION

- Laissez le Manuel d'utilisation, les directives d'installation, les échantillons et(ou) les bons au consommateur.

NOTE: Nous nous efforçons continuellement d'améliorer les produits.
Par conséquent, les matériaux, l'aspect et les caractéristiques sont assujettis à des changements sans préavis.