

GDT635HSR

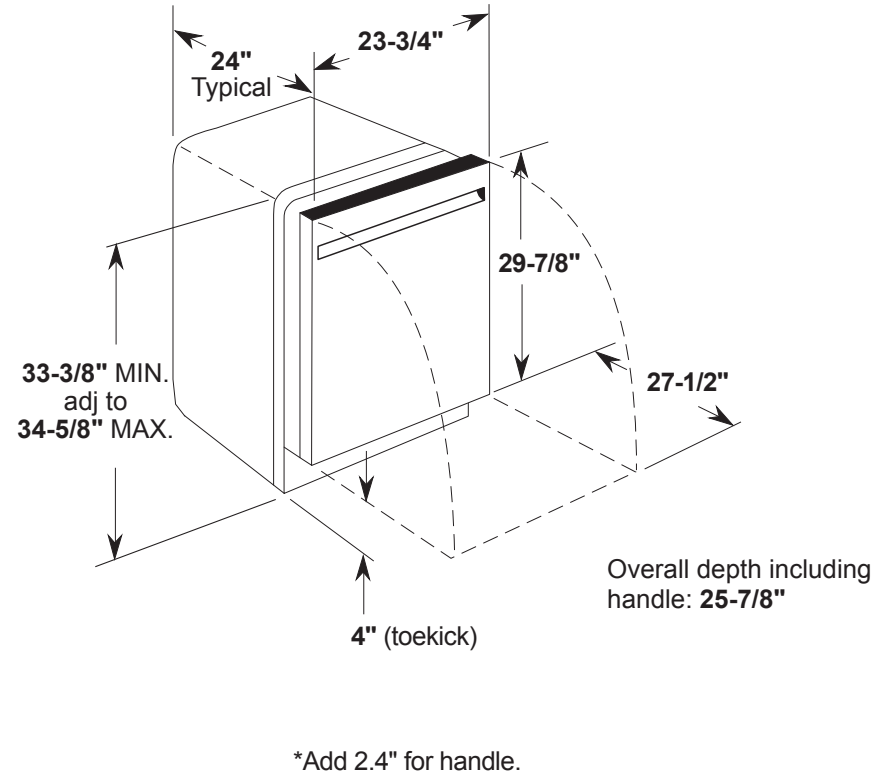
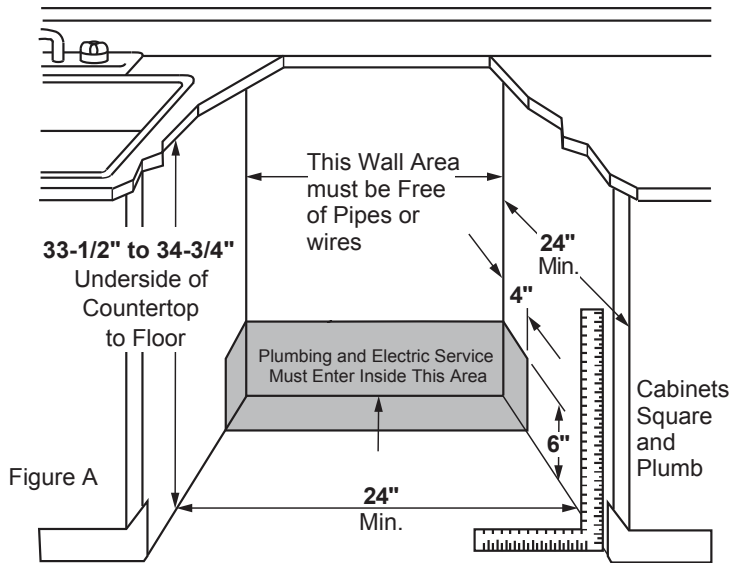
GE® Top Control with Stainless Steel Interior Door Dishwasher

DIMENSIONS AND INSTALLATION INFORMATION (IN INCHES)

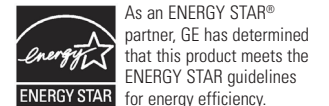
ELECTRICAL RATING

| | |
|------------------------------------|---------|
| Voltage AC..... | 120 |
| Hertz..... | 60 |
| Total connected load amperage..... | 7.1 |
| Calrod® heater watts..... | 800/500 |

For use on adequately wired 120-volt, 15-amp circuit having 2-wire service with a separate ground wire. This appliance must be grounded for safe operation.



For answers to your Monogram, GE Café™, GE Profile™ or GE Appliances product questions, visit our website at geappliances.com or call GE Answer Center® Service, 800.626.2000.



Specification Revised 6/21

GDT635HSR

GE® Top Control with Stainless Steel Interior Door Dishwasher

FEATURES AND BENEFITS

WiFi powered by SmartHQ™ – Monitor cycle status and automatically reorder detergent using your mobile device

Bottle Jets – This dishwasher with bottle jets ensures a deep clean for tall items, narrow glasses, jars and more. In the upper rack, each of the four bottle wash jets direct water and detergent inside to effectively wash hard-to-reach areas

Dry Boost™ – Dry Boost outperforms standard heated dry dishwashers by getting hard-to-dry items like plastics up to 3 times drier when compared to heated dry

Active Flood Protect – This dishwasher features Active Flood Protect, to prevent potential overflows for greater peace of mind. A water sensor alarm cancels the wash cycle before a flood may occur and alerts you with blinking lights and an alert tone.

Smooth Touch Controls – Touch controls are easy to wipe clean and offer simple, dependable cycle selection

Steam + Sani – Save time with a steam and sanitize option that loosens tough soils before the wash cycle begins, so you get a complete wash with no pre-rinsing or soaking necessary. Plus, a sanitization cycle reduces 99.999% of bacteria on dishes.

Reliable Performance – This American made dishwasher is durable, long-lasting and dependable. Its consistent performance will give you totally clean and dry dishes with every cycle.

Wash Zone – Wash a true half load in the upper or lower rack whenever you need to, instead of waiting on a full load. Just choose your wash zone: upper or lower. The feature works in combination with most cycles, saving you time and conserving energy

50 dBA

Model GDT635HSRSS – Stainless steel

