

GDT650SYV/SMV

GE® Stainless Steel Interior Dishwasher with Hidden Controls

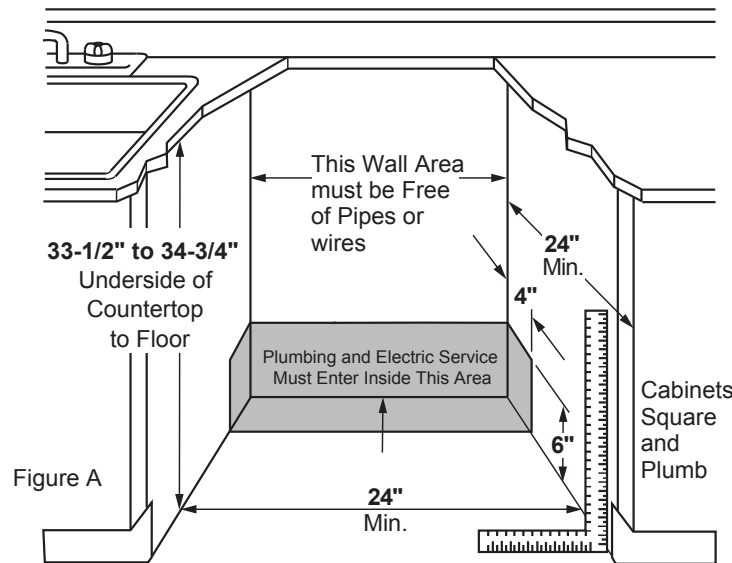
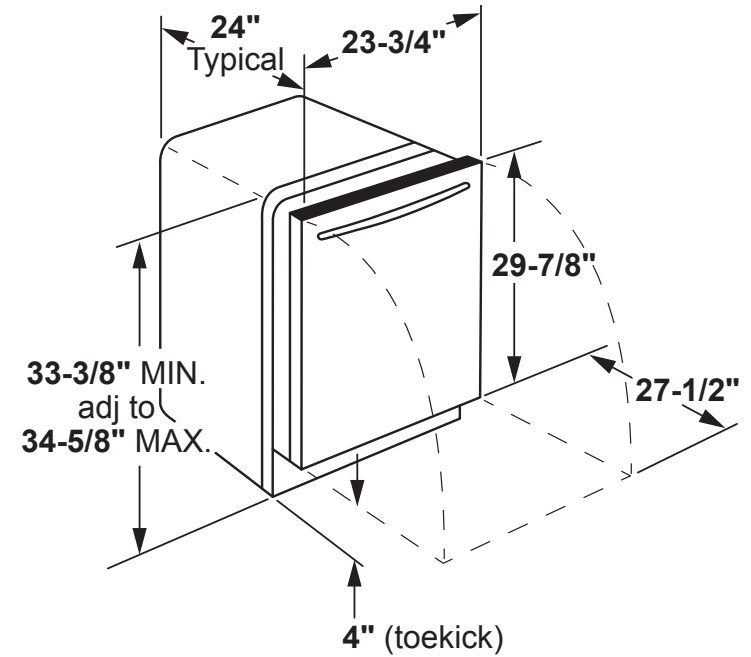
DIMENSIONS AND INSTALLATION INFORMATION (IN INCHES)

ELECTRICAL RATING

Voltage AC.....120
 Hertz.....60
 Total connected load amperage7.8
 Calrod® heater watts max.....800/500

For use on adequately wired 120-volt, 7.8-amp circuit having 2-wire service with a separate ground wire. This appliance must be grounded for safe operation.

INSTALLATION INFORMATION: Before installing, consult installation instructions packed with product for current dimensional data.



For answers to your Monogram, Café™, GE Profile™ or GE Appliances product questions, visit our website at geappliances.com or call GE Answer Center® Service, 800.626.2000.



Listed by Underwriters Laboratories

GDT650SYV/SMV

GE® Stainless Steel Interior Dishwasher with Hidden Controls

FEATURES AND BENEFITS

Dry Boost™ Technology – Dry Boost™ Technology outperforms standard heated-dry dishwashers by getting hard-to-dry items like plastics up to 3 times drier when compared to heated dry.

Third Rack – The versatile Third Rack was redesigned to load more than just silverware with additional space for unique items.

4 Bottle Wash Jets – Ensure a deep clean for tall items, narrow glasses, jars and more thanks to this dishwasher with bottle jets. 4 powerful jets direct water and detergent inside to effectively wash hard-to-reach areas.

Adjustable Upper Rack – Lift or lower the adjustable top rack of the dishwasher to accommodate bottles, large platters or any items as tall as 10.5" thanks to flexible loading capabilities.

Steam + Sani – Save time with a high-temperature cycle that steams and sanitizes. Get a complete wash with no pre-rinsing or soaking necessary and reduce 99.999% of bacteria.

High Wash Performance – Get a complete wash with no pre-rinse thanks to a variety of wash cycles that provide a powerful clean. No matter how many dishes you load or how dirty they are, rest assured you'll get spotless results every time.

Active Flood Protect – This dishwasher features Active Flood Protect, which prevents potential overflows for greater peace of mind. It works by using a water leak detector to sense when water is too high, pumping it out until a safe level is reached.

Reliable Performance – Enjoy trusted performance from a trusted brand with this American-made, dependable dishwasher that provides totally clean and dry dishes with every cycle.

1-Hour Wash Cycle – Unload spotless plates, glasses, pots and pans without waiting hours for the dishwasher to finish with this one-hour dishwasher cycle.

AutoSense Cycle – This energy-saving dishwasher has an AutoSense Cycle that detects soil level and amount of dishes before automatically adjusting the wash setting for the ultimate clean.

Wash Zones – Wash a true half-load in the upper or lower rack whenever you need to thanks to this dishwasher with wash zones. The feature works in combination with most cycles, saving you time and conserving energy.

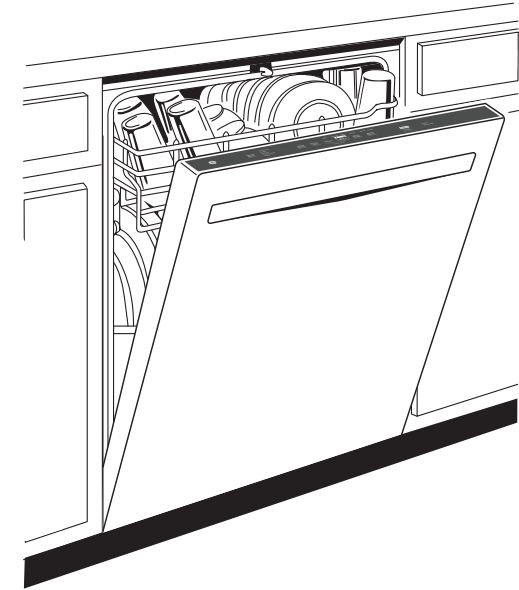
Piranha™ Hard Food Disposer – The Piranha™ Hard Food Disposer lets you use your dishwasher without pre-rinsing. Its stainless steel impellers rotate to pulverize food particles and an anti-jamming design makes sure wash arms stay unclogged.

Extra-Large Capacity – This extra-large capacity dishwasher has enough space for 16 place settings and large dishware, making cleanup easy after large gatherings.

47 dBA Dishwasher – Enjoy a peaceful kitchen and a powerful wash with this super-silent 47 dBA dishwasher.

Optional WiFi – Monitor this dishwasher with a smartphone and a WiFi adapter (sold separately) to enjoy a smart dishwasher experience. Simply attach the adapter and start using the SmartHQ™ app to control and monitor your unit remotely. You can even reorder detergent.

Flush Installation – Cabinet-depth flush installation ensures your dishwasher blends in with the design of your kitchen without sacrificing space for dishes inside.



Model GDT650SYVFS – Fingerprint Resistant Stainless

Model GDT650SMVES – Slate