

# PDWT502RII

## GE Profile™ Dishwasher with SmartDispense™ Technology

### Dimensions and Installation Information (in inches)

#### Electrical Rating

Voltage AC.....	120
Hertz.....	60
Total connected load amperage.....	9.9
Calrod® heater watts max.....	875

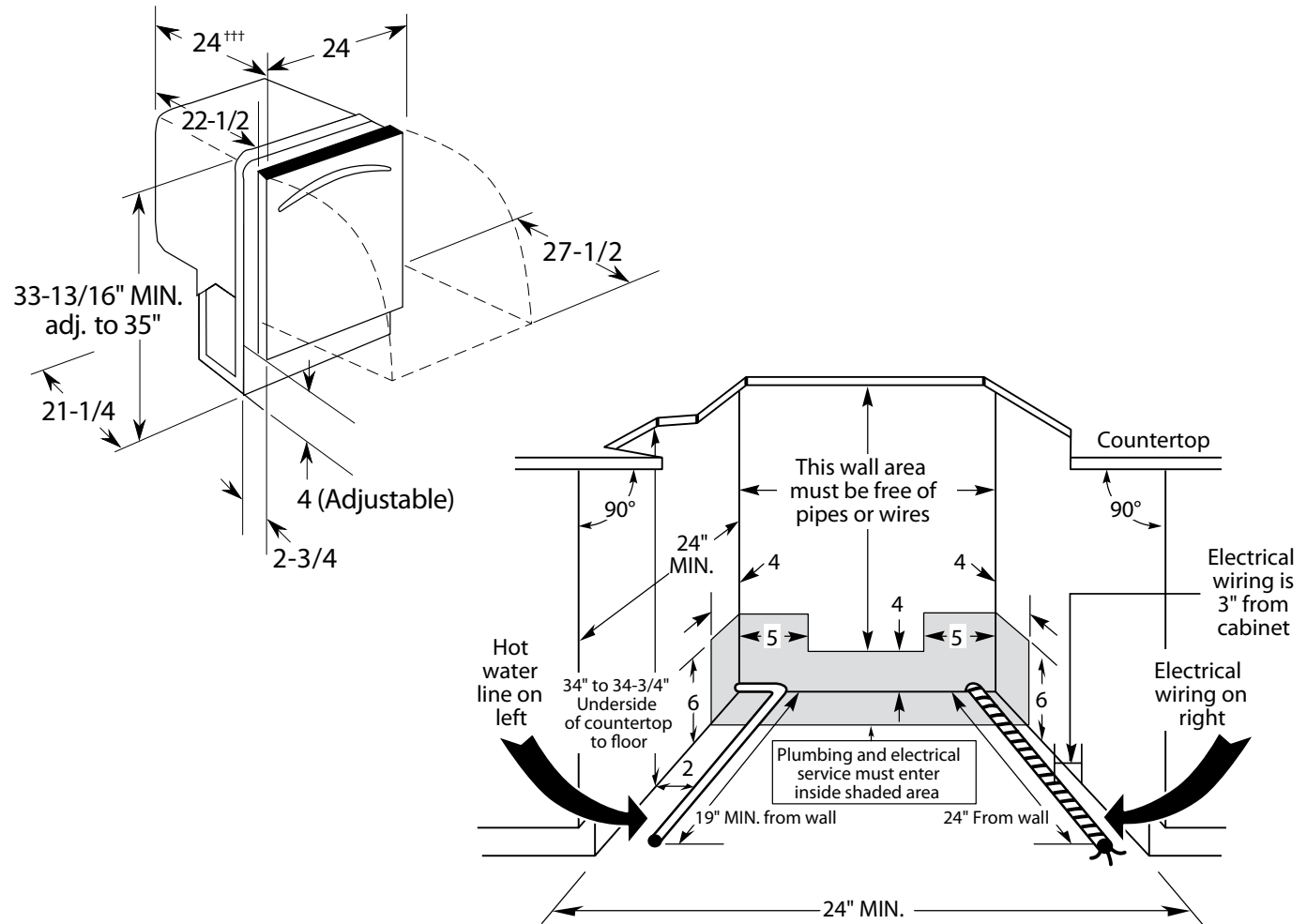
For use on adequately wired 120-volt, 15-amp circuit having 2-wire service with a separate ground wire. This appliance must be grounded for safe operation.

**Installation Information:** Before installing, consult installation instructions packed with product for current dimensional data.

†† Add 3/4" for custom panel and additional room for custom handle

An installation template is packed with these models and may be obtained in advance.

**Order Pub. No. 5-X063.**



For answers to your Monogram®, GE Profile™ or GE® appliance questions, visit our website at [ge.com](http://ge.com) or call GE Answer Center® service, 800.626.2000.



Listed by Underwriters Laboratories



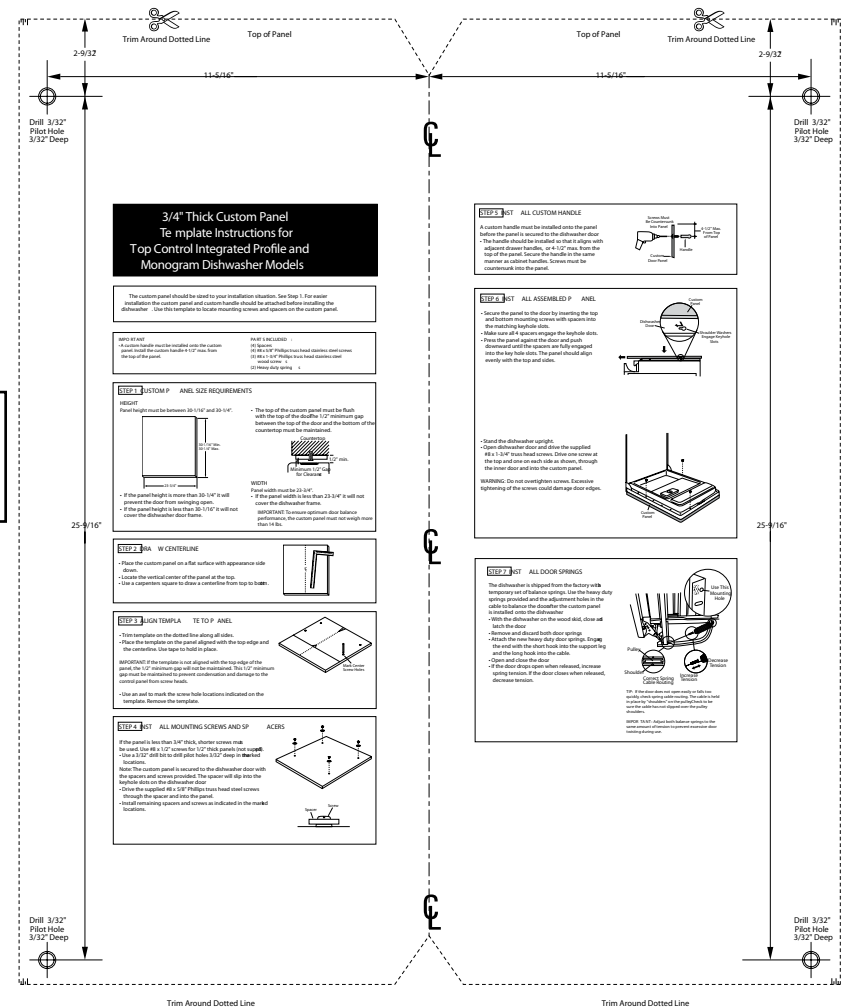
As an ENERGY STAR® partner, GE has determined that this product meets the ENERGY STAR guidelines for energy efficiency.

# PDWT502RII GE Profile™ Dishwasher with SmartDispense™ Technology

## Custom Dishwasher Door Panel Template

GE Pub. No. 031-30569-1

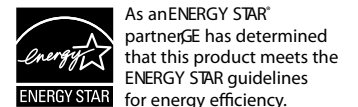
For Reference Only  
Not to Scale



Order GE Pub. No. 031-30569-1  
Call 1-800-626-2000

For a full-size panel template with complete panel installation instructions.

For answers to your Monogram®, GE Profile™ or GE® appliance questions, visit our website at [ge.com](http://ge.com) or call GE Answer Center® service, 800.626.2000.

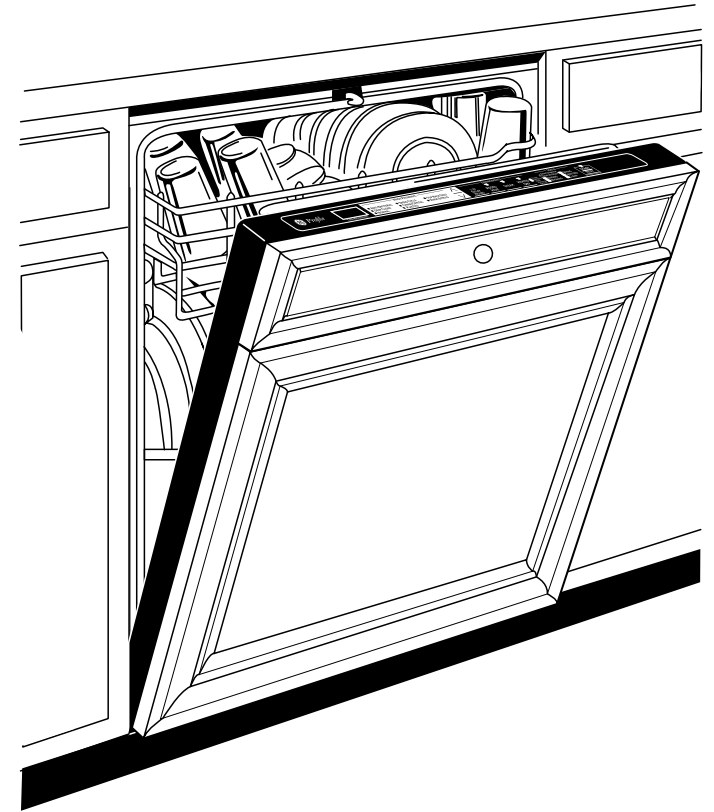


# PDWT502RII

## GE Profile™ Dishwasher with SmartDispense™ Technology

### Features and Benefits

- PureClean wash system with 5-stage filtration - Multiple filtration levels ensure clean dishes
- ENERGY STAR® Qualified - Meets or exceeds federal guidelines for energy efficiency for year-round energy and money savings
- SmartDispense™ technology - Holds up to 47 oz of detergent and dispenses it at just the right time
- DeepClean™ cycle with Steam Prewash - Steam helps to loosen tough soils, like eggs, oatmeal and rice
- Single Rack Wash™ selection - Perfect for washing glasses or smaller loads and uses less water
- Angled Rack Dry™ System - Rack allows dishes to rest at an angle, so water runs off and drying time is reduced
- Electronic controls with 8 cycles/6 options - Modern controls make it easy to program the dishwasher
- QuietPower™ 47 sound package with ActiveVent - 47 dBA - Extremely quiet components and a hidden vent seal in sound
- ~~Model~~ PDWT500RII - Custom panels required



imagination at work