

GE Consumer & Industrial
Appliances

Installation Instructions

If you have questions, call 800.626.2000 or visit our website at: www.monogram.com

Built-In Dishwashers

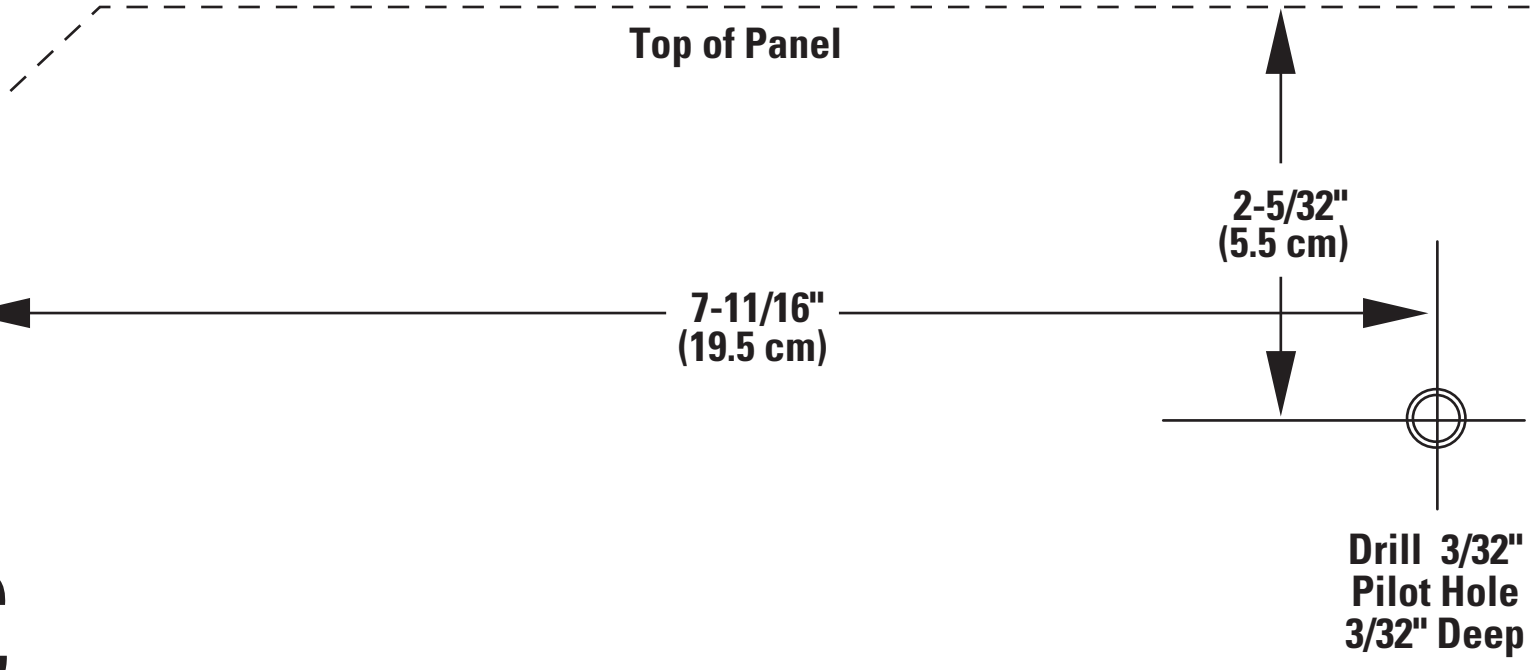
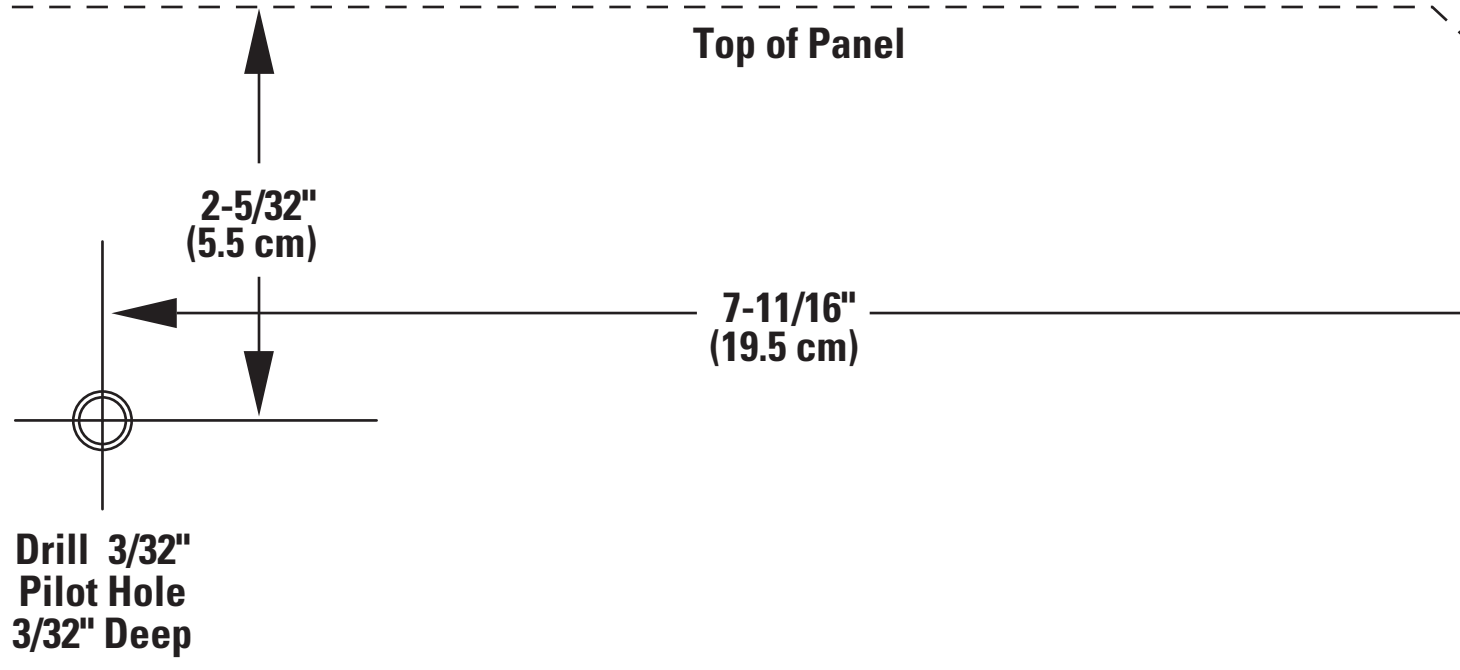
ZBD1850*

ZBD1870

*For ZBD1850 also refer to the
instructions provided on the template
packed with that model



Monogram.



3/4" Thick Custom Panel Template Instructions for 18" Top Control Integrated Profile and Monogram Dishwasher Models

The custom panel should be sized to your installation situation. See Step 1. For easier installation, the custom panel and custom handle should be attached before installing the dishwasher. Use this template to locate mounting screws and spacers on the custom panel.

- IMPORTANT**
- A custom handle must be installed onto the custom panel. Install the custom handle 4-1/2" max. from the top of the panel.
- PARTS INCLUDED:**
- (2) Brackets
 - (4) 1/2" Phillips flat-head screws
 - (2) Spacer pads
 - (2) Metal spacers
 - (2) 1" Phillips flat-head screws
 - (2) 3/4" Phillips round-head screws

STEP 1 CUSTOM PANEL SIZE REQUIREMENTS

HEIGHT
Panel height should be 26-25/32" (68 cm).

WIDTH
Panel width must be 17-1/2" (44.4 cm).

- If the panel width is less than 17-1/2", it will not cover the dishwasher frame.

IMPORTANT: To ensure optimum door balance performance, the custom panel must not weigh more than 8 lbs.

- The top of the custom panel must be flush with the top of the door. The 1/2" minimum gap between the top of the door and the bottom of the countertop must be maintained.

STEP 2 DRAW CENTERLINE

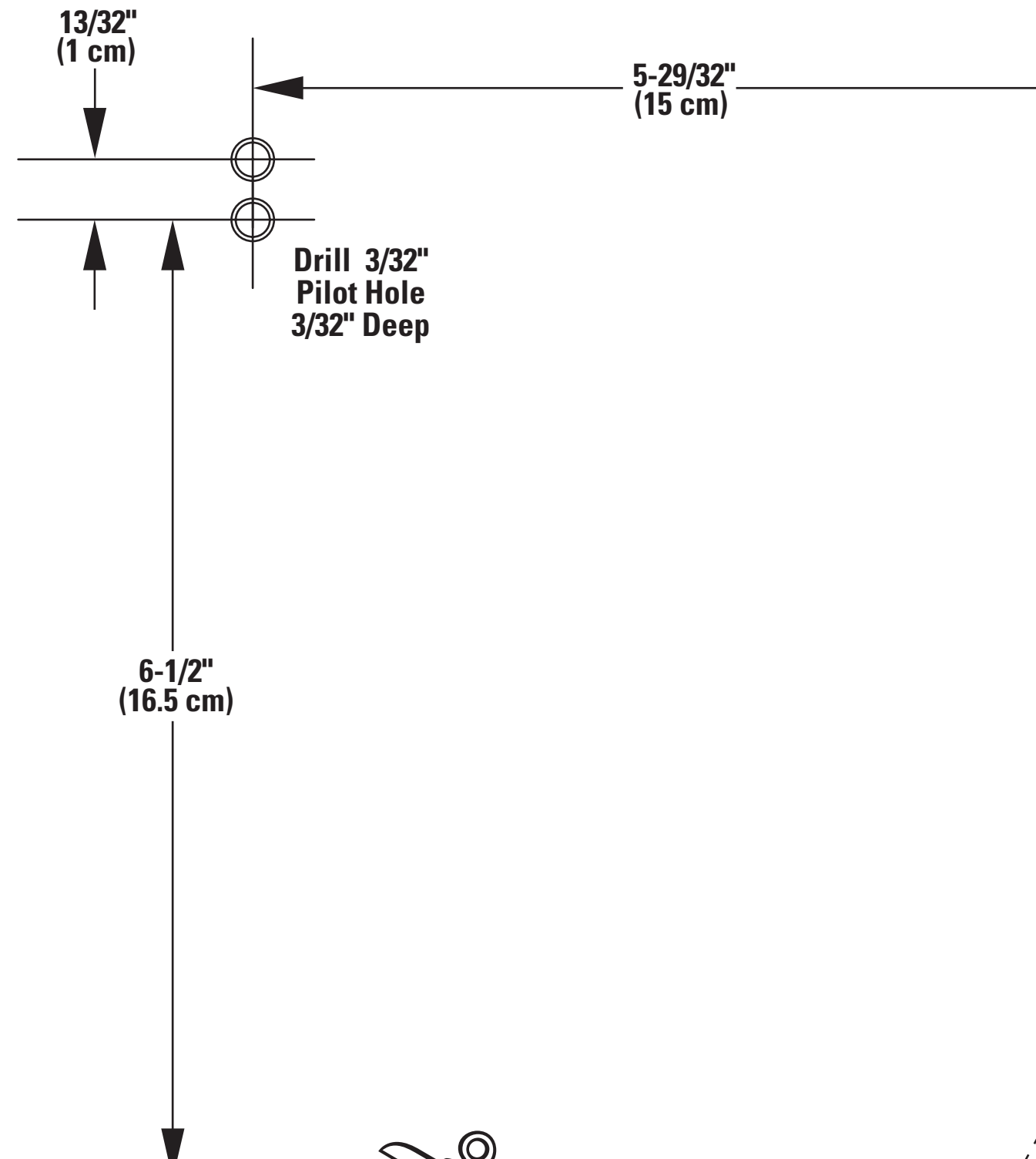
- Place the custom panel on a flat surface with the appearance side down.
- Locate the vertical center of the panel at the top.
- Use a carpenter's square to draw a centerline from top to bottom.

STEP 3 ALIGN TEMPLATE TO PANEL

- Trim template on the dotted line along all sides.
- Place the template on the panel aligned with the top edge and the centerline. Use tape to hold in place.

IMPORTANT: If the template is not aligned with the top edge of the panel, the 1/2" minimum gap will not be maintained. This 1/2" minimum gap must be maintained to prevent condensation and damage to the control panel from screw heads.

- Use an awl to mark the screw hole locations indicated on the template. Remove the template.



STEP 4 INSTALL MOUNTING SCREWS AND SPACERS

Note: The custom panel is secured to the dishwasher door with the metal spacers, screws and brackets provided. The metal spacers and brackets will slip into the slots on the dishwasher door and control panel.

- Align the metal spacers over the top pilot holes. Ensure the thick, recessed side is facing up.
- Drive the supplied 1" Phillips flat-head screws through the metal spacers and into the panel.
- Align the brackets over the bottom pilot holes. Ensure the curved lip is facing up. If the back surface of the panel is not flat, use the spacer pads provided.
- Drive the 1/2" Phillips flat-head screws through the brackets and into the panel.

STEP 5 INSTALL CUSTOM HANDLE

A custom handle must be installed onto the panel before the panel is secured to the dishwasher door.

- The handle should be installed so that it aligns with adjacent drawer handles, or 4-1/2" max. from the top of the panel. Secure the handle in the same manner as the cabinet handles. Screws must be countersunk into the panel.

STEP 6 INSTALL ASSEMBLED PANEL

- Secure the panel to the door by inserting the top metal spacers and bottom brackets into the matching slots on the dishwasher door and control panel.
- Make sure both metal spacers and both brackets engage the slots.
- Press the panel against the door and push downward until the metal spacers and brackets are fully engaged into the slots. The panel should align evenly with the top and sides.

STEP 7 CHECK DOOR BALANCE

- Stand the dishwasher upright.
- Open the dishwasher door and remove the 2 plug buttons, one on each side as shown.
- Place the supplied 3/4" Phillips round-head screws inside the plastic sleeve and drive through the inner door and into the custom panel.
- Replace the 2 plug buttons by pressing them firmly back into the plastic sleeve.

WARNING: Do not overtighten screws. Excessive tightening of the screws could damage door edges.

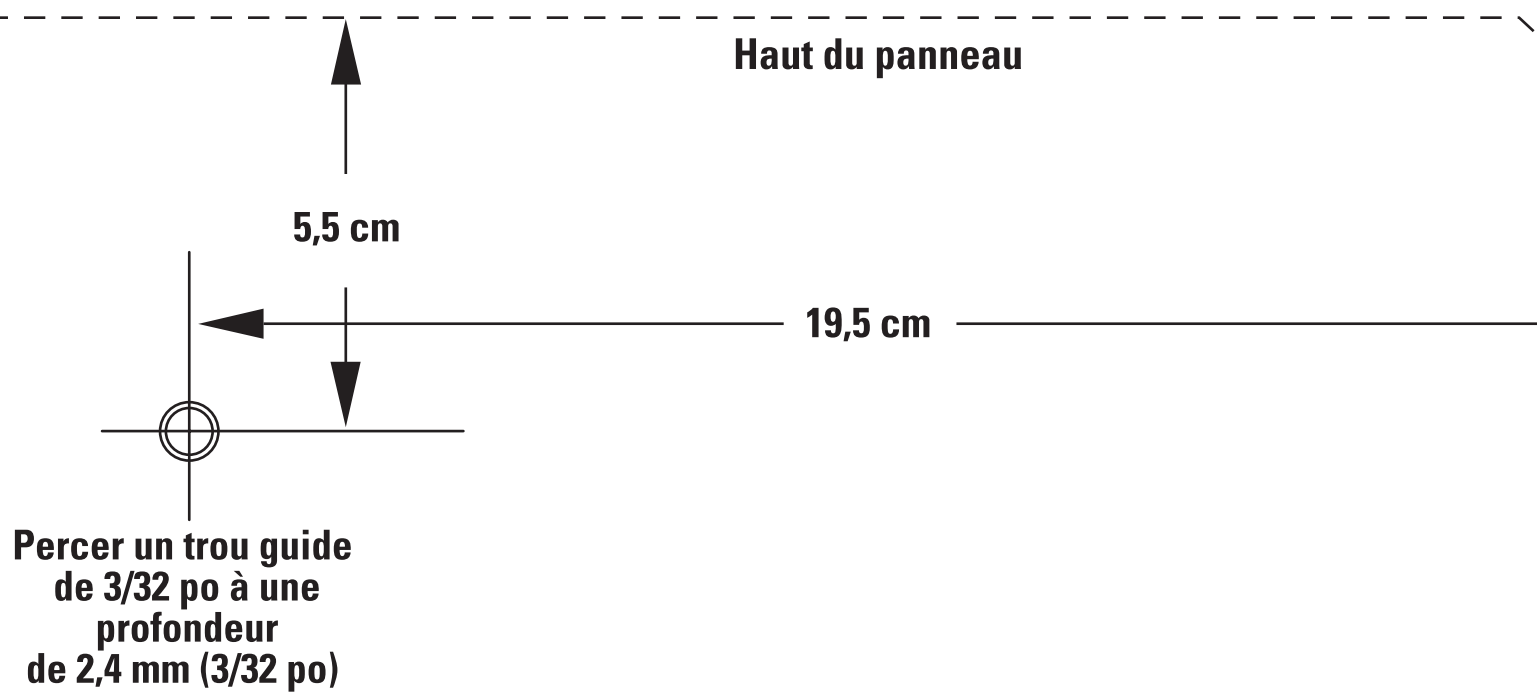
STEP 7 CHECK DOOR BALANCE

To check the door balance, hold the top of the dishwasher firmly.

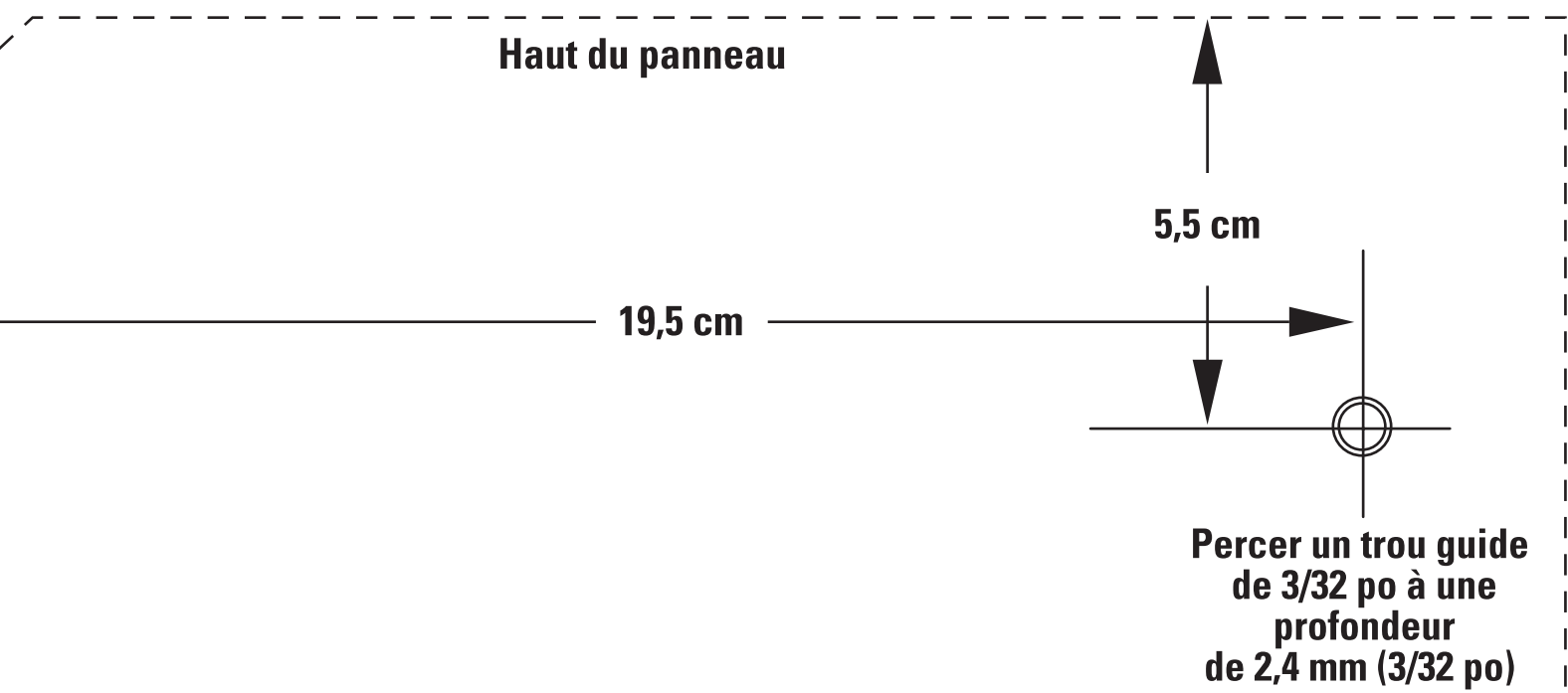
- Check the door balance by opening and closing the door.
- If the door drops when released, increase the spring tension. If the door rises when released, decrease the spring tension.
- Using a T25 torque driver, adjust in the direction shown. Adjust both sides equally.

PARTS SUPPLIED

Trim Around Dotted Line



Percer un trou guide de 3/32 po à une profondeur de 2,4 mm (3/32 po)



Percer un trou guide de 3/32 po à une profondeur de 2,4 mm (3/32 po)

Instructions de gabarit pour panneau sur mesure épais de 19 mm (3/4 po) pour modèle de lave-vaisselle de 18 po à réglage intégré en haut Profile et Monogram

Le panneau de finition doit avoir des dimensions appropriées pour l'installation. Consulter l'étape 1. Pour faciliter l'installation, le panneau de finition et la poignée de finition doivent être montés avant la mise en place du lave-vaisselle. Utiliser ce gabarit pour déterminer l'emplacement des vis de montage et des rondelles sur le panneau de finition.

- IMPORTANT**
- Il faut installer une poignée de finition sur le panneau de finition. Installer la poignée à moins de 11,5 cm (4-1/2 po) du haut du panneau.
- PIÈCES INCLUSES:**
- (2) Supports
 - (4) Vis à tête plate Phillips 1/2 po
 - (2) Coussinets d'espacement
 - (2) Espaceurs métalliques
 - (2) Vis à tête plate Phillips 1 po
 - (2) Vis à tête rond Phillips 3/4 po

ÉTAPE 1 TAILLE NÉCESSAIRE POUR LE PANNEAU SUR MESURE

HAUTEUR
Panel height doit être de 26 25/32 po (68 cm)

- Le haut du panneau sur mesure doit affleurer le haut de la porte. Il doit y avoir un espace libre d'au moins 1/2 po entre le haut de la porte et le bas du revêtement de comptoir.

LARGEUR
Le panneau doit avoir au moins 17 1/2 po de largeur.

- Si le panneau a moins de 17 1/2 po de largeur, il ne couvre pas le châssis de porte du lave-vaisselle.

IMPORTANT : Pour que la porte fonctionne bien, le panneau sur mesure ne doit pas peser plus de 6,4 kilos (14 livres).

ÉTAPE 2 TRAÇAGE DE L'AXE

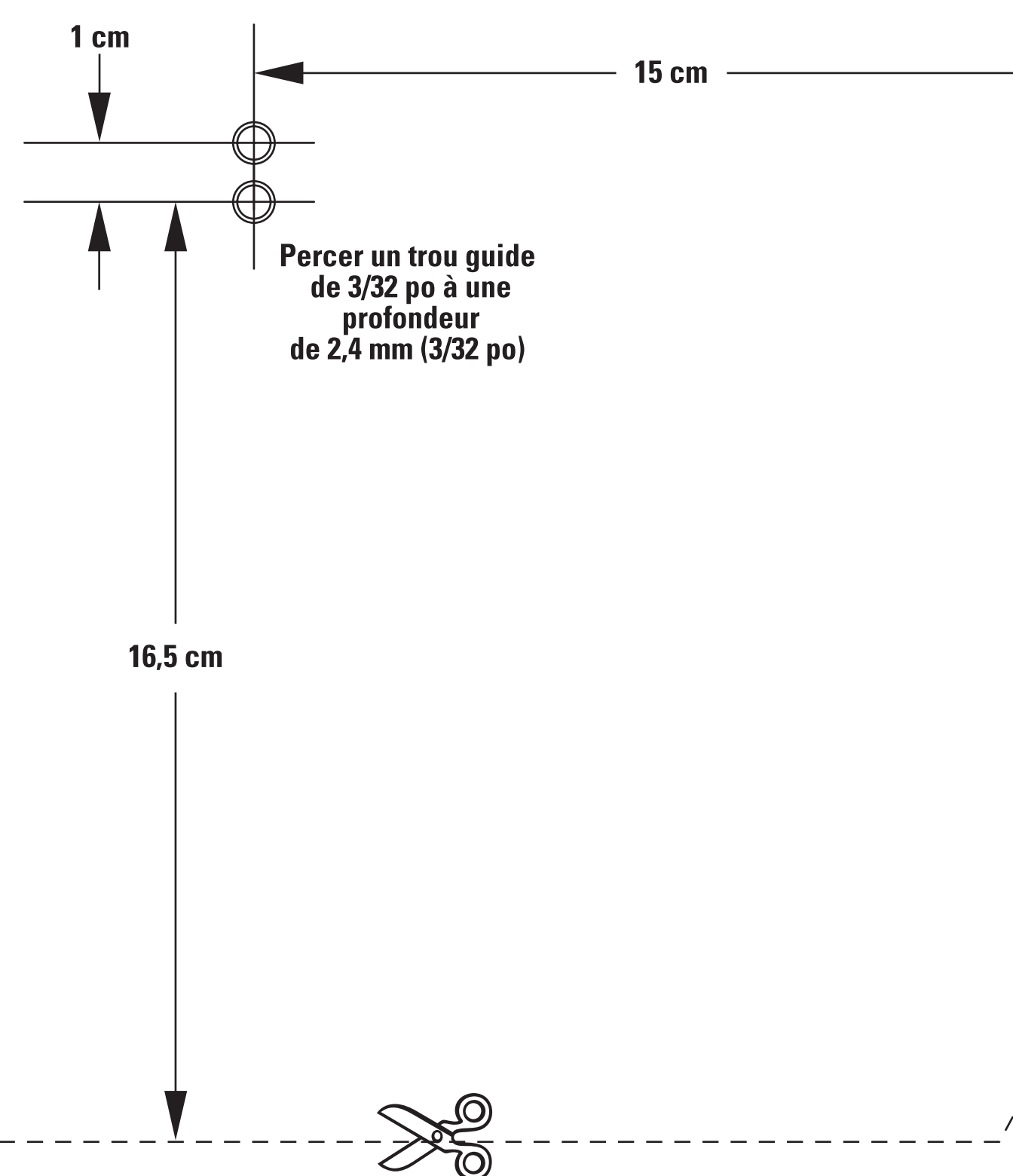
- Mettre le panneau de finition sur une surface plate, le côté extérieur vers le bas.
- Mettre le centre vertical du panneau en haut.
- Avec une équerre de menuisier, tracer un axe du haut au bas.

ÉTAPE 3 ALIGNER LE GABARIT SUR LE PANNEAU

- Couper le gabarit suivant le pointillé, sur tous les côtés.
- Mettre le gabarit sur le panneau, aligné sur le bord supérieur et sur l'axe. Le maintenir en place avec du ruban adhésif.

IMPORTANT : Si le gabarit n'est pas aligné à l'extrémité du haut du panneau, vous n'obtenez pas 1/2 po d'espace libre. Vous devez avoir un espace libre de 1/2 po pour empêcher la condensation et éviter d'endommager le panneau de contrôle avec les têtes de vis.

- Avec un pointeau, marquer les emplacements de trous de vis indiqués sur le gabarit. Enlever le gabarit.



Percer un trou guide de 3/32 po à une profondeur de 2,4 mm (3/32 po)

ÉTAPE 4 INSTALLER LES VIS DE MONTAGE ET LES RONDELLES

Remarque: Le panneau sur mesure est fixé à la porte du lave-vaisselle à l'aide des espaceurs métalliques, des vis et des supports fournis. Les espaceurs métalliques et les supports glissent dans les fentes de la porte du lave-vaisselle et du panneau de commande.

- Alignez les espaceurs métalliques sur les trous guides supérieurs. Veillez à ce que la face épaisse et encastrée soit orientée vers le haut.
- Vissez les vis à tête plate Phillips 1 po à travers les espaceurs métalliques puis dans le panneau.
- Alignez les supports sur les trous guides inférieurs. Assurez-vous que la lèvre incurvée est orientée vers le haut. Si la surface arrière du panneau n'est pas plane, utilisez les coussinets d'espacement fournis.
- Vissez les vis à tête plate Phillips 1/2 po à travers les supports puis dans le panneau.

ÉTAPE 5 INSTALLATION DE LA POIGNÉE DE FINITION

Installer une poignée de finition sur le panneau avant de monter le panneau sur la porte du lave-vaisselle.

- Il faut aligner la poignée sur les poignées des tiroirs adjacents ou à moins de 115 mm (4-1/2 po) du haut du panneau. Monter la poignée de la même manière que les poignées de l'armoire. Les vis doivent être noyées dans le panneau.

ÉTAPE 6 INSTALLATION DU PANNEAU ASSEMBLÉ

- Fixez le panneau à la porte en insérant les espaceurs métalliques supérieurs et les supports inférieurs dans les fentes correspondantes de la porte du lave-vaisselle et du panneau de commande.
- Assurez-vous que tous les espaceurs et supports s'engagent bien dans les fentes.
- Appuyez le panneau contre la porte et poussez vers le bas jusqu'à ce que les espaceurs et les supports soient engagés à fond dans les fentes. Le panneau doit s'aligner uniformément sur le dessus et les côtés.

ATTENTION : Il ne faut pas serrer les vis en excès. Un serrage excessif des vis peut endommager les bords de la porte.

ÉTAPE 7 VÉRIFIER L'ÉQUILIBRE DE LA PORTE

Agripez d'abord le haut de la porte fermement.

- Vérifiez l'équilibre en ouvrant et fermant la porte.
- Si la porte tombe lorsque relâchée, augmentez la tension du ressort. Si au contraire elle remonte, diminuez la tension.
- À l'aide d'un tournevis dynamométrique T25, effectuez le réglage dans la direction indiquée. Réglez les deux côtés également.

LES PIÈCES ONT FOURNI

Couper le long du pointillé

Safety Information



BEFORE YOU BEGIN

Read these instructions completely and carefully.

IMPORTANT – Observe all governing codes and ordinances.

- **Note to Installer** – Be sure to leave these instructions for the consumer’s and local inspector’s use.
- **Note to Consumer** – Keep these instructions with your Owner’s Manual for future reference.
- **Skill Level** – Installation of this dishwasher requires basic mechanical, electrical and plumbing skills. **Proper installation is the responsibility of the installer. Product failure due to improper installation is not covered under the GE Appliance Warranty. See warranty information.**
- **Completion Time – 1 to 3 Hours.** New installations require more time than replacement installations.

IMPORTANT – The dishwasher **MUST** be installed to allow for future removal from the enclosure if service is required.

If you received a damaged dishwasher, you should immediately contact your dealer or builder.

Optional Accessories – See the Owner’s Manual for available custom panel kits.

**READ CAREFULLY.
KEEP THESE INSTRUCTIONS.**

FOR YOUR SAFETY

Read and observe all **CAUTIONS** and **WARNINGS** shown throughout these instructions.

While performing installations described in this booklet, gloves and either safety glasses or goggles should be worn.

For Monogram local service in your area, 1.800.444.1845.
For Monogram service in Canada 1.888.880.3030.
For Monogram Parts and Accessories, call 1.800.626.2002.

CONTENTS

Installation Preparation

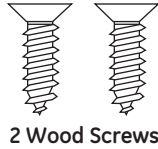
Parts Supplied	3
Materials You Will Need	3
Tools You Will Need	3
Prepare Dishwasher Enclosure	4
Drain Requirements	4
Prepare Electrical Wiring	5
Prepare Hot Water Line	6
Installation Instructions	
Step 1, Check Door Balance	6
Step 1A, Adjust Door Springs	6
Step 2, Adjust Leveling Legs	8
Step 3, Remove Toekick	8
Step 4, Install Power Cord	8

Step 5, Install 90° Elbow	8
Step 6, Position Water Line and House Wiring	9
Step 7, Install Drain Hose Through Cabinet	9
Step 8, Slide Dishwasher Partially Into Cabinet	9
Step 9, Position Dishwasher Under Countertop	10
Step 10, Level Dishwasher	11
Step 11, Secure Dishwasher To Cabinet	11
Step 12, Connect Water Supply	12
Step 13, Connect Drain Line	12
Step 14, Connect Power Supply	13
Step 15, Pre-Test Checklist	13
Step 16, Dishwasher Wet Test	14
Step 17, Replace Toekick	14
Step 18, Literature	14

Installation Preparation

PARTS SUPPLIED:

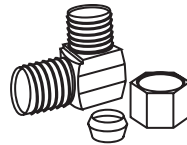
- Two #8 Phillips head wood screws, 5/8" long to secure dishwasher to underside of countertop (in literature package).



2 Wood Screws

MATERIALS YOU WILL NEED:

- Ferrule, compression nut and 90° Elbow (3/8" NPT external thread on one end, opposite end sized to fit water supply)
- Thread seal tape
- UL Listed wire nuts (3)



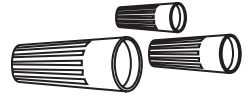
90° Elbow, Ferrule and Compression Nut



Hand Shut-Off Valve



Thread Seal Tape



Wire Nuts (3)

Materials For New Installations Only:

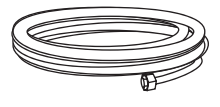
- Air gap for drain hose, if required
- Waste tee for house plumbing, if applicable
- Electrical cable or power cord, if applicable
- Screw type hose clamps
- Strain relief for electrical connection
- Hand shut-off valve
- Water line 3/8" min. copper
- Coupler for extending drain line, if applicable



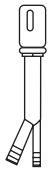
Waste Tee



Electrical Cable (or Power Cord, if applicable)



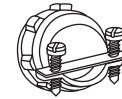
Hot Water Line



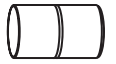
Air Gap



Screw Type Hose Clamps



Strain Relief



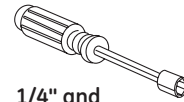
Coupler

TOOLS YOU WILL NEED:

- Phillips head screwdriver
- 5/16" and 1/4" nutdriver
- T25 torque driver (PDW__II only)
- 6" Adjustable wrench
- Level
- Carpenters square
- Measuring tape
- Safety glasses
- Flashlight
- Bucket to catch water when flushing the line
- Gloves



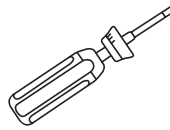
Phillips Head Screwdriver



1/4" and 5/16" Nutdriver



Level



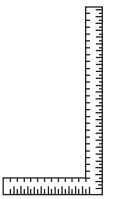
T25 Torque Driver



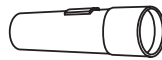
6" Adjustable Wrench



Tubing Cutter



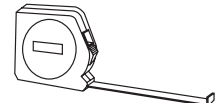
Carpenters Square



Flashlight



Safety Glasses



Measuring Tape

For New Installations Only:

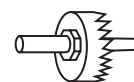
- Tubing cutter
- Drill and appropriate bits
- Hole saw set



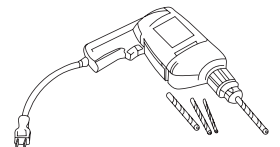
Gloves



Bucket



Hole Saw Set



Drill and Bits

Installation Preparation

PREPARE DISHWASHER ENCLOSURE

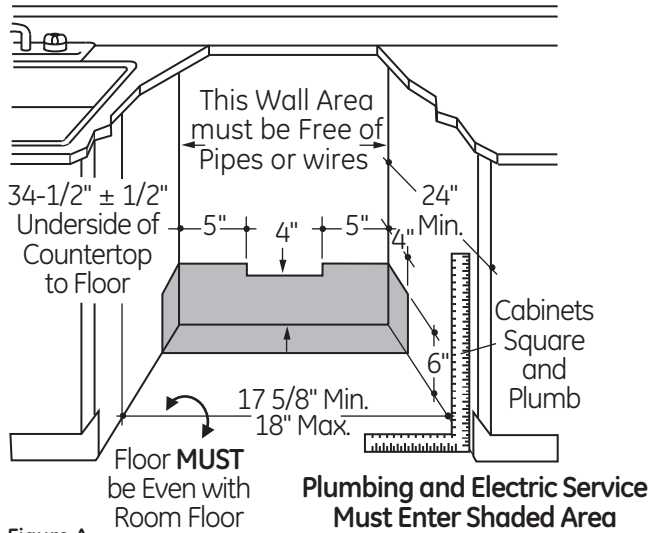


Figure A

- The rough cabinet opening must be at least 24" deep, 17-5/8" to 18" wide and approximately 34-1/2" high from floor to underside of the countertop.

DRAIN REQUIREMENTS

- Follow local codes and ordinances.
- Do not exceed 10' distance to drain.
- Do not connect drain lines from other devices to the dishwasher drain hose.

NOTE: Air gap must be used if waste tee or disposer connection is less than 18" above floor to prevent siphoning.

DETERMINE DRAIN METHOD

The type of drain installation depends on the following questions.

- Do local codes or ordinances require an air gap?
- Is waste tee less than 18" above floor?

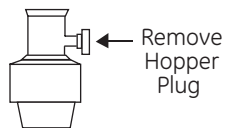
If the answer to either question is YES, Method 1 MUST be used.

- If the answers are NO, either method may be used.

CABINET PREPARATION

- Drill a 1-1/2" diameter hole in the cabinet wall within the shaded areas shown in Figure A for the drain hose connection. The hole should be smooth with no sharp edges.

IMPORTANT: When connecting drain line to disposer, check to be sure that drain plug has been removed. **DISHWASHER WILL NOT DRAIN IF PLUG IS LEFT IN PLACE.**



- The dishwasher must be installed so that drain hose is no more than 10' in length for proper drainage.

! WARNING

To reduce the risk of electric shock, fire, or injury to persons, the installer must ensure that the dishwasher is completely enclosed at the time of installation.

CLEARANCES: When installed into a corner, allow 2" min. clearance between dishwasher and adjacent cabinet, wall or other appliances. Allow 25-5/8" min. clearance from the front of the dishwasher for door opening. Figure B

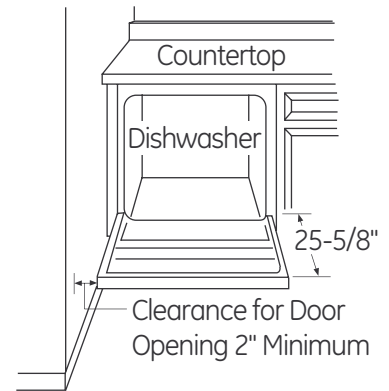


Figure B

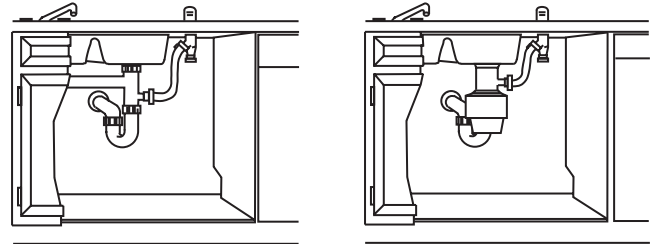


Figure C

Method 1 - Air Gap with Waste Tee or Disposer

An air gap must be used when required by local codes and ordinances. The air gap must be installed according to manufacturer's instructions.

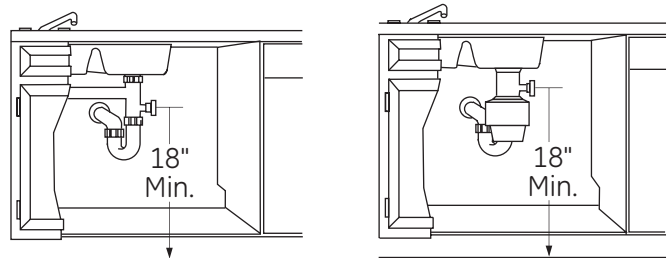


Figure D

Method 2 - Drain Hose Routing

When not using an air gap, the drain hose must be routed to form a high loop of at least 32" to prevent siphoning. See Step 15 on page 10.


! CAUTION:

An air gap **MUST BE USED** if the drain hose is connected to waste tee or disposer lower than 18" above the floor level. Failure to provide the proper drain connection height with an air gap or 32" minimum high drain loop will result in improper draining of the dishwasher, which may cause damage.

Installation Preparation

PREPARE ELECTRICAL WIRING

⚠ WARNING



FOR PERSONAL SAFETY:
Remove house fuse or open circuit breaker before beginning installation. Do not use an extension cord or adapter plug with this appliance.

Electrical Requirements

- This appliance must be supplied with 120V, 60Hz., and connected to an individual properly grounded branch circuit protected by a 15 or 20 ampere circuit breaker or time delay fuse.
- Wiring must be 2 wire with ground and rated for 75°C (176°F).
- If the electrical supply does not meet the above requirements, call a licensed electrician before proceeding.


Grounding Instructions—Cable Direct

This appliance must be connected to a grounded metal, permanent wiring system, or an equipment grounding conductor must be run with the circuit conductors and be connected to the equipment grounding terminal or lead on the appliance.

Grounding Instructions—Power Cord Models

This appliance must be grounded. In the event of a malfunction or breakdown, grounding will reduce the risk of electric shock by providing a path of least resistance for electric current. This appliance is equipped with a cord having an equipment grounding conductor and a grounding plug. The plug must be plugged into an appropriate outlet that is installed and grounded in accordance with all local codes and ordinances.

⚠ WARNING



The improper connection of the equipment grounding conductor can result in electric shock. Check with a qualified electrician or service representative if you are in doubt that the appliance is properly grounded. Do not modify the plug provided with the appliance; if it will not fit the outlet, have a proper outlet installed by a qualified technician.

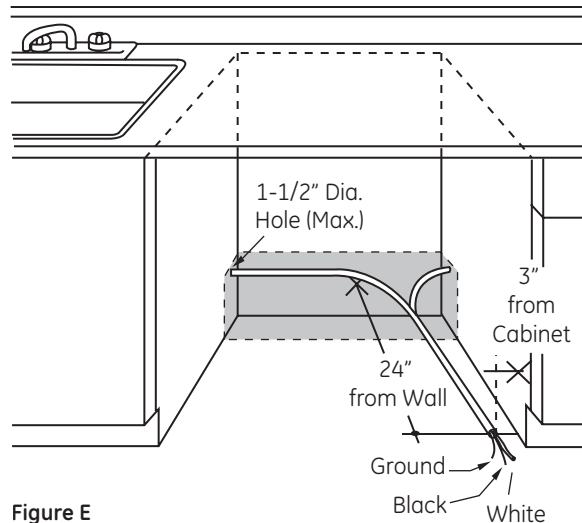


Figure E

For models equipped with power cord: Do not modify the plug provided with the appliance; if it will not fit the outlet, have a proper outlet installed by a qualified technician.

Cabinet Preparation and Wire Routing

- The wiring may enter the opening from either side, rear or the floor within the shaded area.
- Cut a 1-1/2" max. diameter hole to admit the electrical cable. Cable direct connections may pass through the same hole as the drain hose and hot water line, if convenient. If cabinet wall is metal, the hole edge must be covered with a bushing.
Note: Power cords with plug must pass through a separate hole.

Electrical Connection to Dishwasher

Electrical connection is on the right front of dishwasher.

- For cable direct connections the cable must be routed as shown in Figure E. Cable must extend a minimum of 24" from the rear wall.
- For power cord connections, install a 3-prong grounding type receptacle in the sink cabinet rear wall, 6" min. or 18" max. from the opening, 6" to 18" above the floor.

Installation Instructions

PREPARE HOT WATER LINE

- The line may enter from either side, rear or floor within the shaded area shown in Figure F.
- The line may pass through the same hole as the electrical cable and drain hose. Or, cut an additional 1-1/2" dia. hole to accommodate the water line. If power cord with plug is used, water line must not pass through power cord hole.

CAUTION:

The hot water supply line pressure must be at least 20 psi. Lower pressures could cause the water valve to leak and cause water damage.

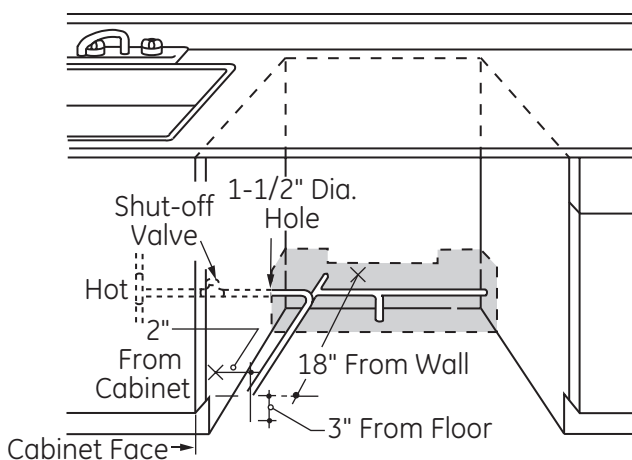


Figure F

Water Line Connection

- Turn off the water supply.
- Install a hand shut-off valve in an accessible location, such as under the sink. (Optional, but strongly recommended and may be required by local codes.)
- Water connection is on the left side of the dishwasher. Install the hot water inlet line, using no less than 3/8" O.D. copper tubing. Route the line as shown in Figure F and extend forward at least 18" from rear wall.
- Adjust water heater for 120°F to 150°F temperature.
- Flush water line to clean out debris.
- The hot water supply line pressure must be 20-120 PSI.

CAUTION:

Opening the door will cause the dishwasher to tip forward. **Do not open the door until you are ready to install the dishwasher.** If it is necessary to open the door, hold the top of the dishwasher securely with one hand and hold the door with the other hand.



BEFORE YOU BEGIN

Locate and set aside the package containing 2 Phillips head countertop mounting screws and 2 additional toekick screws (located in the literature package).

STEP 1 CHECK DOOR BALANCE

- To check the door balance, hold the top of the dishwasher firmly.
- Open the door slowly. If the door drops when released, you will need to increase spring tension. If the door closes when released, you will need to decrease tension.
- If adjustments are needed, see Step 1A. If no adjustments are needed, skip to Step 2.

STEP 1A ADJUST DOOR SPRINGS (IF NECESSARY) FOR ZBD1870 MODELS

For ZBD1850 models, refer to the instruction provided on the template packed with that model.

To adjust the door springs, you will need to remove the dishwasher side panels.

To remove the side panels:

- Remove the screws from the top and back of each dishwasher side panel, sixteen screws total. Open the door and remove the four screws securing the panels to the inside door frame.

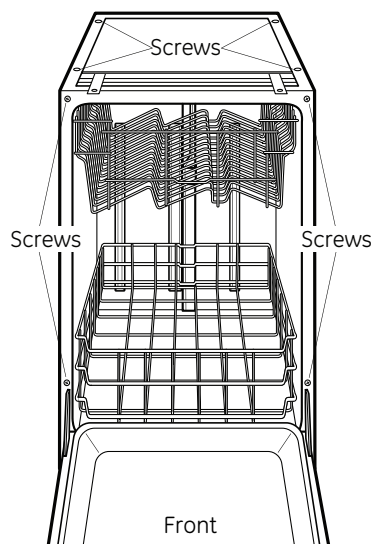


Figure G

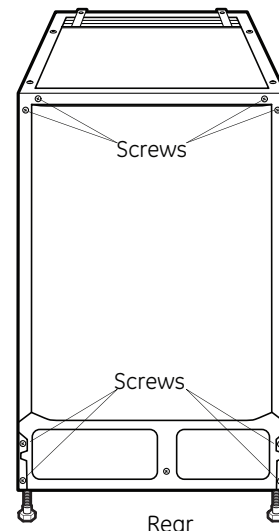


Figure H

Installation Instructions

- Lay the dishwasher on its back. Remove the four screws securing the toekick to the dishwasher, and remove the toekick.

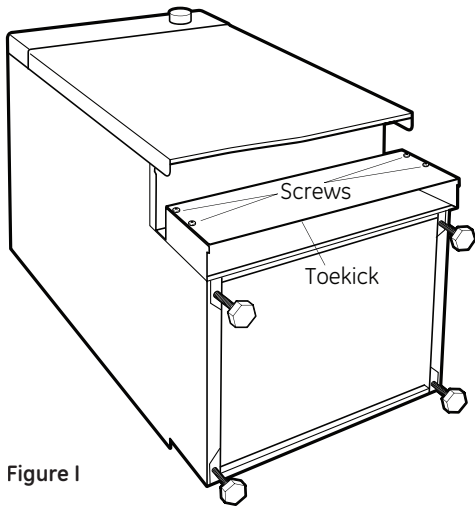


Figure I

- Remove the single screw just above and to the side of each front leveling leg.

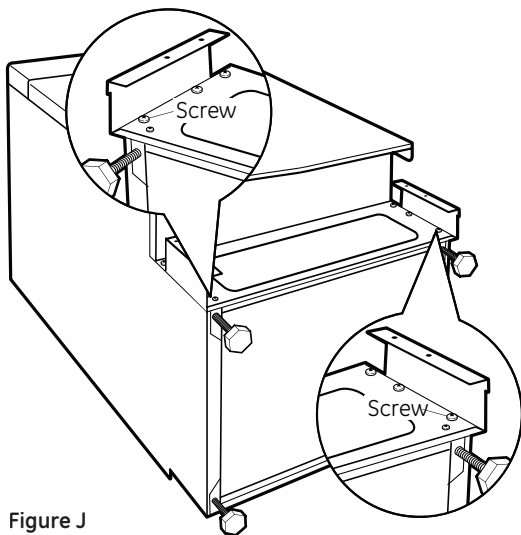


Figure J

- Remove the side panels and set the dishwasher upright.

To adjust the door springs:

- Pull the spring adjustment pin out of the holes, insert in the next highest or lowest hole and test again.

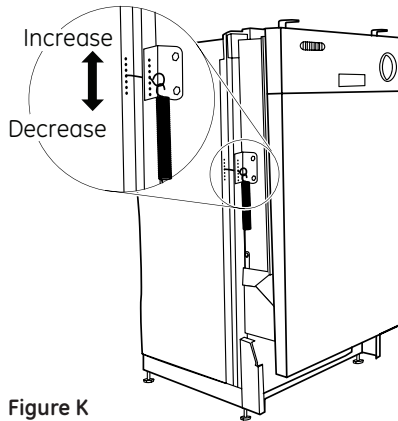


Figure K

- Adjust both door springs to the same tension.
- Continue moving the spring pin until door is balanced.
- Replace the dishwasher side panels and proceed to Step 2.

Installation Instructions

STEP 2 ADJUST LEVELING LEGS

- Move the dishwasher close to the installation location and lay it on its back.

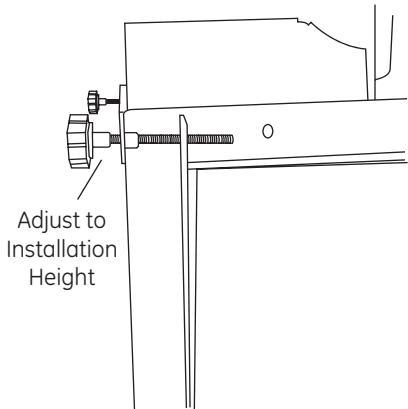


Figure L

- Measure installation height and dishwasher height. Extend leveling legs out from the dishwasher base, 1/2" less than installation height.

STEP 3 REMOVE TOEKICK

- Remove the 4 toekick screws. Lift off the 2 piece toekick.

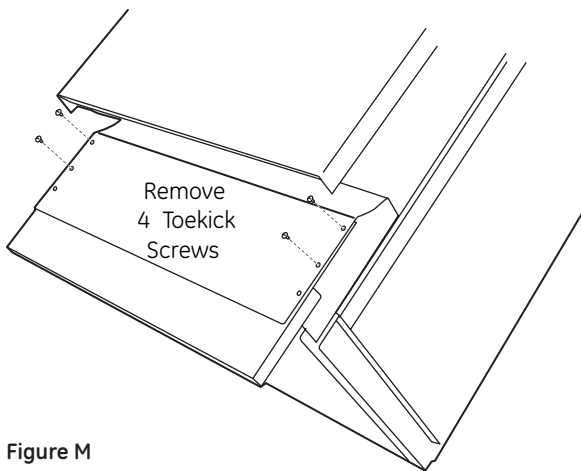


Figure M

STEP 4 INSTALL POWER CORD

Skip this step if dishwasher will be direct wired.

Use Power Cord Kit WX09X70910, available for purchase from an authorized GE Appliance Dealer. The power cord and connections must comply with the National Electrical Code, Section 422 and/or local codes and ordinances.

- Maximum power cord length is 6'.

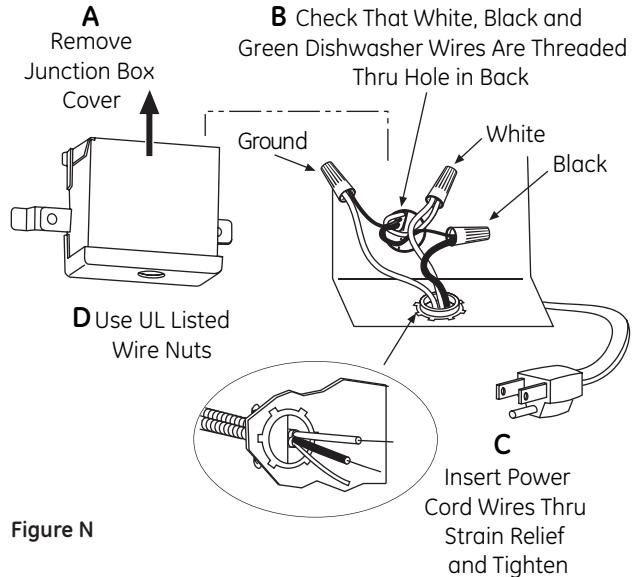


Figure N

- Connect incoming power cord white (or ribbed) to dishwasher white, black (or smooth) to black and ground to dishwasher green wire. Use UL listed wire nuts of appropriate size.
- Replace junction box cover. Be sure wires are not pinched under the cover.

STEP 5 INSTALL 90° ELBOW

- Wrap 90° elbow with thread seal tape.
- Install a 90° elbow onto the water valve.

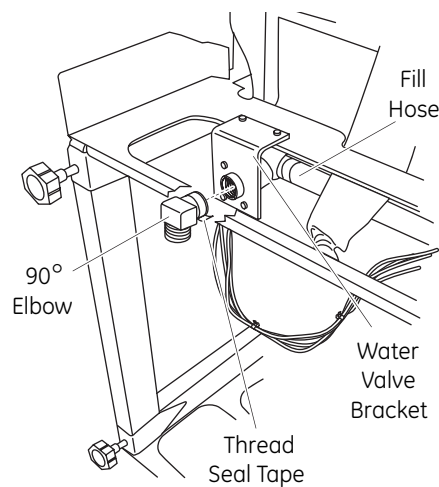


Figure O

- Do not over tighten 90° elbow, water valve bracket could bend or water valve fitting could break.
- Position the end of the elbow to face the rear of the dishwasher.

Installation Instructions

STEP 6 POSITION WATER LINE AND HOUSE WIRING

- Position water supply line and house wiring on the floor of the opening to avoid interference with base of dishwasher and components under dishwasher.

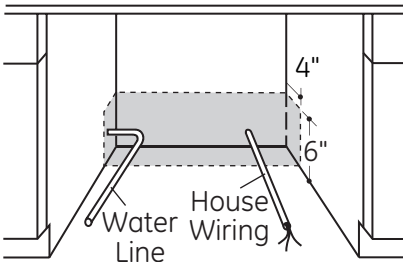


Figure P

STEP 7 INSTALL DRAIN HOSE THROUGH CABINET

- Stand the dishwasher upright and position in front of the opening. Insert drain hose into cabinet wall hole. If a power cord is used, guide the end through a separate hole.

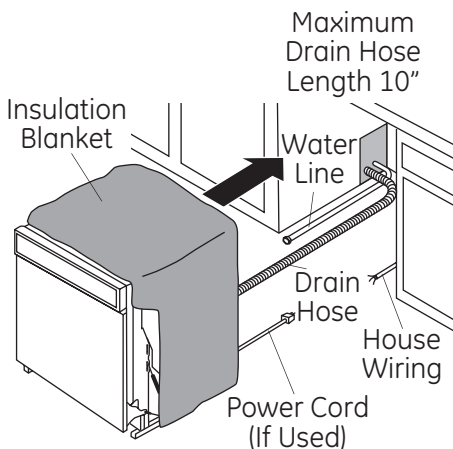


Figure Q

TIP: Position water line and house wiring on the floor to avoid interference with base of dishwasher.

STEP 8 SLIDE DISHWASHER PARTIALLY INTO CABINET

DO NOT PUSH AGAINST FRONT PANEL WITH KNEES. DAMAGE WILL OCCUR.

- Slide dishwasher into the opening a few inches at a time.

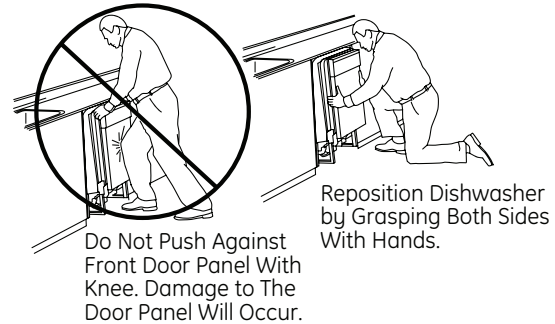


Figure R

- As you proceed, pull the drain hose through the opening under the sink. Stop pushing when the dishwasher is a few inches forward of adjacent cabinetry.
- Make sure drain hose is not kinked under the dishwasher and there is no interference with the water line and wiring or any other component.

Installation Instructions

STEP 9 POSITION DISHWASHER UNDER COUNTERTOP

- Push the dishwasher into the cabinet.
- Push the sides with your hands. Do not use your knee against the door since door damage will occur.
- Check that the tub insulation blanket does not get “bunched-up” or interfere with the springs as you slide it into the cabinet.
- Center the dishwasher in the opening.
- Front of door panel should be flush with face of cabinet.
- Carefully open and close the door to ensure that the door panel does not catch or rub on the cabinet frame.
- If the door catches or rubs on the frame, reposition and/or level the unit (see Step 10) until the door moves freely and does not contact the cabinet frame.

The controls on these models are designed to be hidden by your countertop. Align the dishwasher as shown in Figure T. Leave a 1/2" minimum gap between the underside of the countertop and the top of the dishwasher door as shown in Figure W.

Note: If the drain hose gets trapped behind the unit it can prevent the controls from being hidden by the countertop.

Note: If this dishwasher is replacing an existing dishwasher, the old countertop bracket screw holes may not be in the correct position to accept a top-control model. New holes may be required.

Tip: The leveling legs can be used to increase or decrease the amount of gap between the controls and the countertop affecting the visibility of the controls.

IMPORTANT – Leave a 1/2" minimum gap between the controls and the underside of the countertop to prevent condensation and damage to the control panel from screwheads.

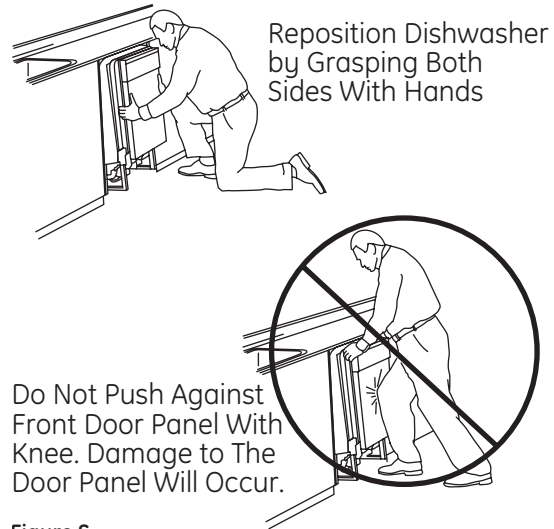


Figure S

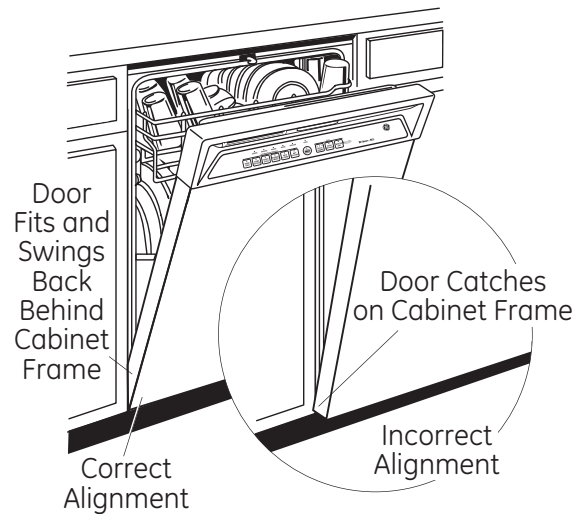


Figure T

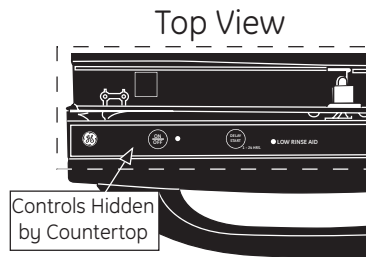


Figure U

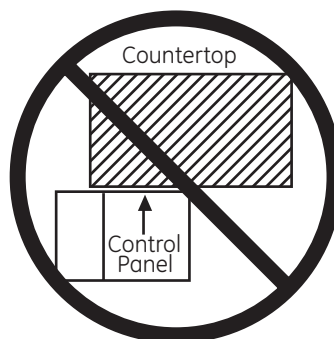


Figure V

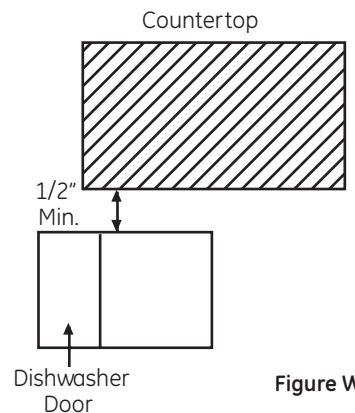


Figure W

Installation Instructions

STEP 10 LEVEL DISHWASHER

IMPORTANT – Dishwasher must be level for proper dish rack operation and wash performance.

- Make sure 1/2" minimum gap is maintained (see Figure T).
- Place level on door to check that the dishwasher is level side-to-side. Place level on rack track inside tub to check that the dishwasher is level front-to-back.

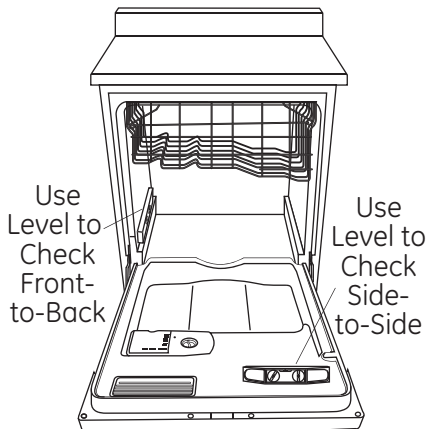


Figure X

- If the dishwasher is not level, adjust the four leveling legs individually.

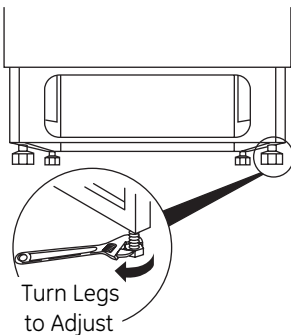


Figure Y

Tip: Pull lower rack out, about halfway. Check to be sure the rack does not roll forward or back into dishwasher. If the rack rolls in either direction, the dishwasher must be leveled again.

- If door hits the tub, the dishwasher is not installed correctly. Adjust leveling legs to align door to tub.

IMPORTANT – After leveling, verify that the dishwasher is still in the correct position shown in Step 9.

STEP 11 SECURE DISHWASHER TO COUNTERTOP OR CABINET

In this step you will need the 2 Phillips special head screws set aside prior to Step 1.

The dishwasher must be secured to the countertop or the cabinet sides. When countertops are made of wood, use Method 1. When countertops are granite or other materials that will not accept screws, use Method 2 to secure dishwasher at the sides.

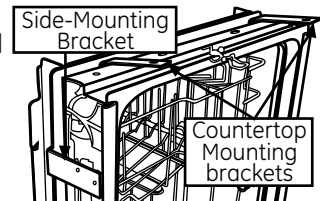


Figure Z

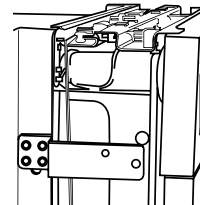


Figure AA

IMPORTANT –

Drive screws straight and flush. Protruding screw heads will scratch the top or sides of the control panel and can interfere with door closing.

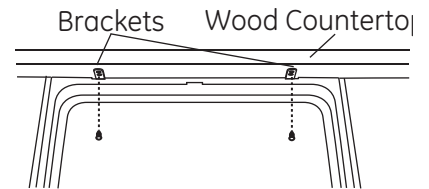


Figure BB

Method 1

Secure dishwasher to wood countertop

- Fasten the dishwasher to the underside of the countertop with the 2 Phillips special head screws provided.

Method 2

Secure dishwasher with side-mounting brackets

- Remove plug buttons (one on each side).
- Install screws through the dishwasher side mount bracket and into the adjacent cabinet on each side. Reinstall plug buttons.

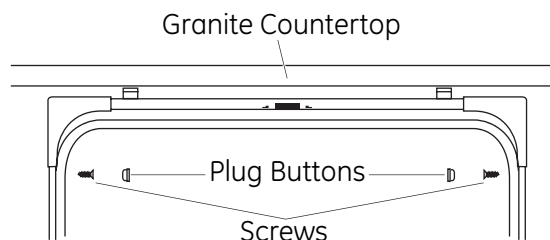


Figure CC

Either Method

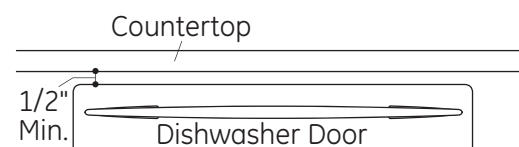


Figure DD

When step is complete, close dishwasher door and verify that gap between countertop and top of dishwasher door is at least 1/2".

Installation Instructions

STEP 12 CONNECT WATER SUPPLY

Connect water supply line to 90° elbow.

- Slide compression nut, then ferrule over end of water line.
- Insert water line into 90° elbow.
- Slide ferrule against elbow and secure with compression nut.

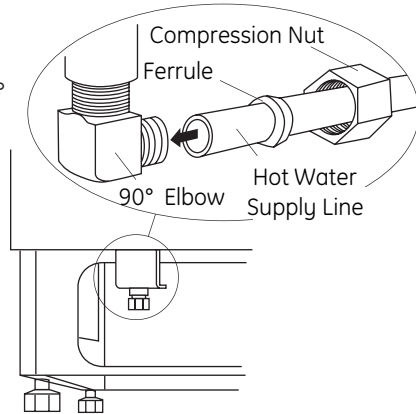


Figure EE

IMPORTANT – Check to be sure that door spring does not rub or contact the fill hose or water supply line. Test by opening and closing the door. Re-route the lines if a rubbing noise or interference occurs.

STEP 13 CONNECT DRAIN LINE

FOLLOW ALL LOCAL CODES AND ORDINANCES.

The molded end of the drain hose will fit 5/8" through 1" diameter inlet ports on the air gap, waste tee or disposer.

- Determine size of inlet port
- Cut drain hose connector on the marked line, if required, to fit the inlet port.

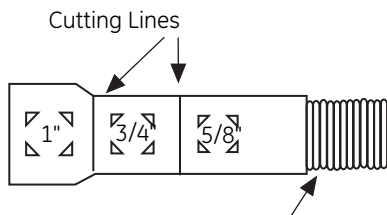


Figure FF **IMPORTANT:** Do not cut corrugated portion of hose

- If a longer drain hose is required, add up to 42" of length for a total of 10' to the factory installed hose. Use 5/8" or 7/8" inside diameter hose and a coupler to connect the two hose ends. Secure the connection with hose clamps.

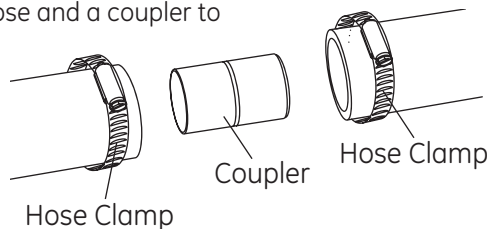


Figure GG

- Secure the drain hose to the air gap, waste tee or disposer with clamps.

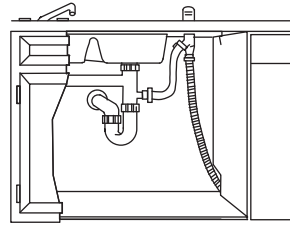
Note: TOTAL DRAIN HOSE LENGTH MUST NOT EXCEED 10' FOR PROPER DRAIN OPERATION.

DRAIN LINE INSTALLATION

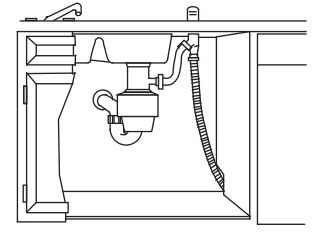
- Connect drain line to air gap, waste tee or disposer using either previously determined method.

Method 1 – Air gap with waste tee or disposer

Insert the drain hose to air gap as shown.



Waste Tee Installation

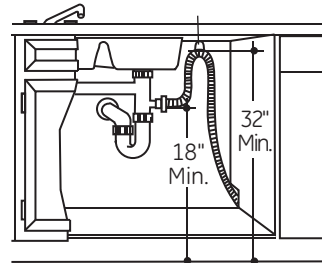


Disposer Installation

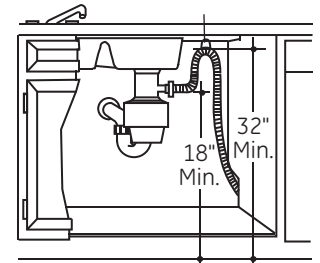
Figure HH

Method 2 – Drain Hose Routing

Route the drain hose of the dishwasher to a minimum height of 32" from the floor with the supplied hanger as shown.



Waste Tee Installation

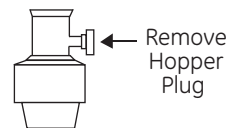


Disposer Installation

Figure II

IMPORTANT – Either one of the above methods must be used or dishwasher will not operate properly.

IMPORTANT – When connecting drain line to disposer, check to be sure that drain plug has been removed. **DISHWASHER WILL NOT DRAIN IF PLUG IS LEFT IN PLACE.**



Tip: Avoid unnecessary service call charges. Always be sure disposer drain plug has been removed before attaching dishwasher drain hose to the disposer.

Installation Instructions

STEP 14 CONNECT POWER SUPPLY

Skip this step if equipped with power cord.

Verify that power is turned off at the source.

- Remove junction box cover "A".
- Locate the three dishwasher wires, (white, black and green) with stripped ends. Insert dishwasher wires through the small hole in the junction box "B".
- Secure house wiring to the bottom of the junction box with a strain relief "C".
- Use wire nuts to connect incoming ground to green, white to white and black to black "D".
- Replace junction box cover "E". Check to be sure that wires are not pinched under the cover.

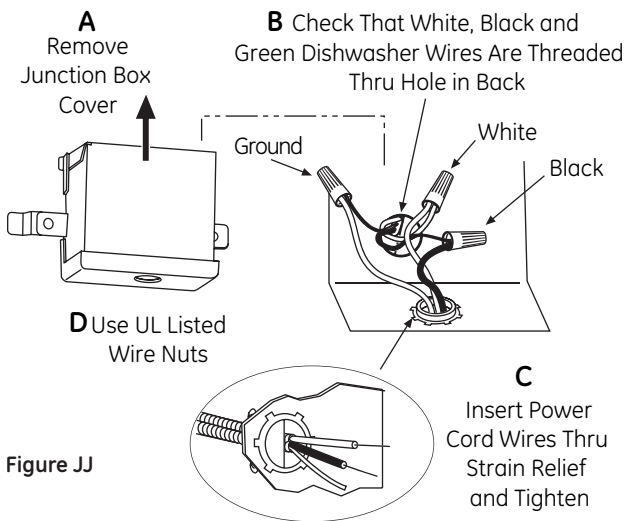


Figure JJ



WARNING If house wiring is not 2-wire with ground, a ground must be provided by the installer. When house wiring is aluminum, be sure to use UL Listed anti-oxidant compound and aluminum-to-copper connectors

STEP 15 PRETEST CHECK LIST

Review this list after installing your dishwasher to avoid charges for a service call that is not covered by your warranty.

- Check to be sure power is OFF.
- Open door and remove all foam and paper packaging.
- Locate the Owner's Manual in the literature package.
- Read the Owner's Manual for operating instructions.
- Check door opening and closing. If door does not open and close freely or tends to fall, check spring adjustments. See Step 1.
- Check to be sure that wiring is secure under the dishwasher, not pinched or in contact with door springs or other components. See Step 9.
- Check door alignment with tub. If door hits tub, level dishwasher. See Step 10.
- Pull lower rack out, about half way. Check to be sure it does not roll back or forward on the door. If the rack moves, adjust leveling legs. See Step 10.
- Check door alignment with cabinet. If door hits cabinet, reposition or relevel dishwasher. See Step 10.
- Verify water supply and drain lines are not kinked or in contact with other components. Contact with motor or dishwasher frame could cause noise. See Step 8.
- Turn on the sink hot water faucet and verify water temperature. Incoming water temperature must be between 120°F and 150°F. A minimum of 120°F temperature is required for best wash performance. See "Prepare Hot Water Line," page 5.
- Add 2 quarts of water to the bottom of the dishwasher to lubricate the pump seal.
- Turn on water supply. Check for leaks. Tighten connections if needed.
- Remove protective film if present from the control panel and door.
- Avoid service call charges by ensuring there is an air gap or drain hose routed through the required 32" minimum height.

Installation Instructions

STEP 16 DISHWASHER WET TEST

- Turn on power supply (or plug power cord into outlet, if equipped).
- Start the unit to check for leaks.
 - Press ON/OFF button to turn unit on
 - Press CYCLE SELECT button until light below RINSE cycle illuminates
- Close door.
- Check to be sure that water enters the dishwasher. If water does not enter the dishwasher, check to be sure that water and power are turned on.
- Check for leaks under the dishwasher. If a leak is found, turn off power supply, then tighten connections. Restore power after leak is corrected.
- Check for leaks around the door. A leak around the door could be caused by door rubbing or hitting against adjacent cabinet. Reposition the dishwasher if necessary. See Step 9.
- The dishwasher will drain and turn off about 5 to 7 minutes after the first fill. Check drain lines. If leaks are found, turn power off at the breaker and correct plumbing as necessary. Restore power after corrections are made. See Step 12.
- Open dishwasher door and make sure most of the water has drained. If not, check that disposer plug has been removed and/or air gap is not plugged. See Step 13. Also check drain line for kinking.
- Run the dishwasher through another fill and drain cycle. Check for leaks and correct if required.
- At the end of drain, open door and press ON/OFF button to turn unit off.

STEP 17 REPLACE TOEKICK

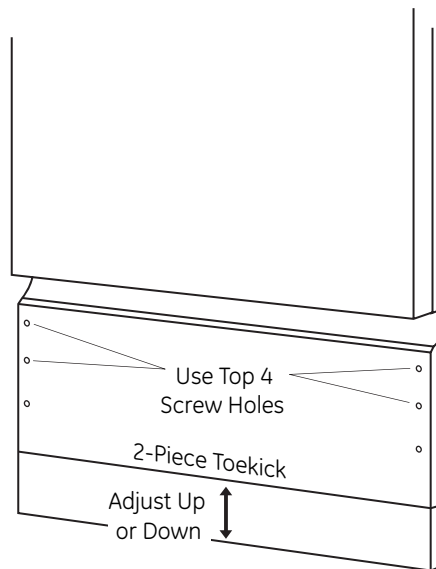


Figure KK

- Place 2-piece toekick against the legs of the dishwasher.
- Place the inner toekick piece (with slots) against the toekick bracket. The slots should align with toekick bracket screw holes. Allow the toekick to touch the floor.
- Place larger toekick over the inner piece and install 4 toekick screws.
- Use additional 2 screws for installations over 33-1/2" high.
- Use both toekick pieces for all installation heights.

STEP 18 LITERATURE

- Be sure to leave complete literature package and Installation Instructions with the consumer.

SPECIFICATIONS SUBJECT TO CHANGE WITHOUT NOTICE

GE Consumer & Industrial
General Electric Company
Louisville, Kentucky 40225

monogram.com

© 2005 General Electric Company
Pub. No. 31-30243
Dwg. No. 206C1559P181
ND 08C-2515 (4/08)