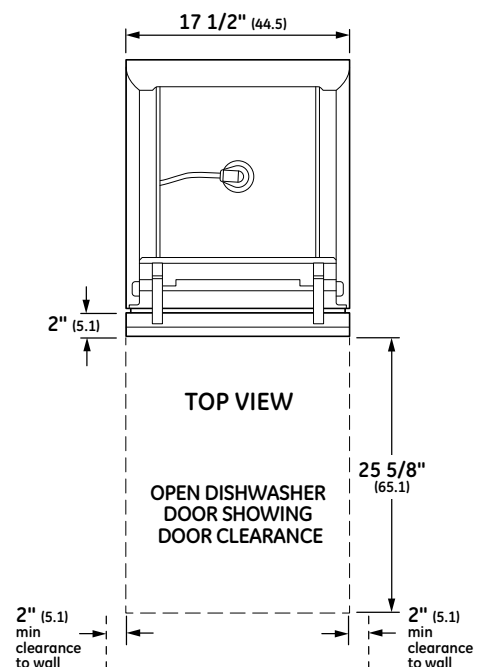
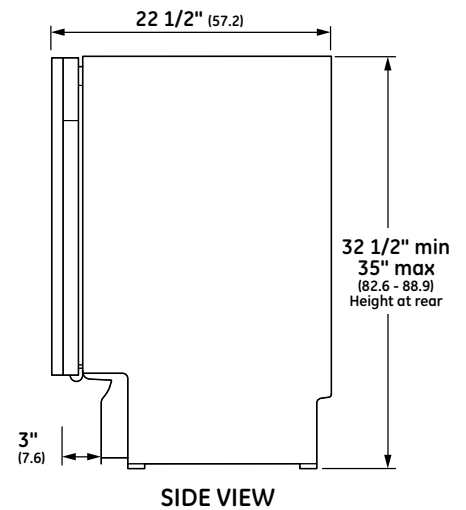
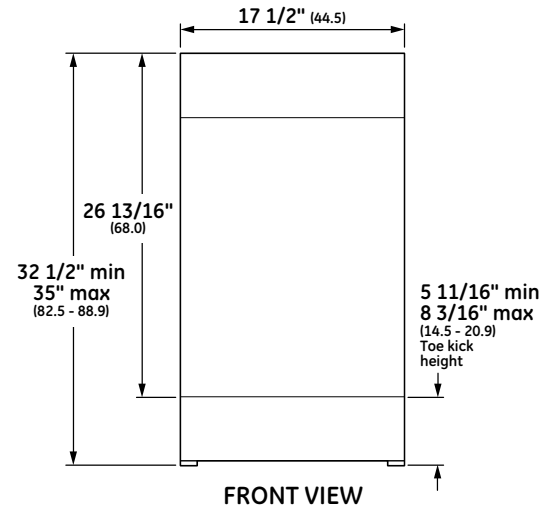


OVERALL DIMENSIONS



SPECIFICATIONS

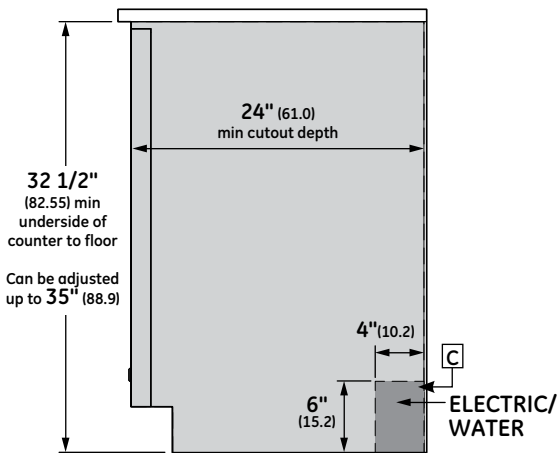
Overall Width	17 1/2" (44.5 cm)
Overall Height	32 1/2" (82.6 cm) Min 35" (88.9 cm) Max
Overall Depth	22 1/2" (57.2 cm)
Door Clearance	25 5/8" (14.3 cm)
Overall Dishwasher Capacity	8 Place Settings
Minimum Cabinet Width	17 5/8" (44.8 cm)
Minimum Cabinet Depth	24" (61 cm)
Cutout Width	17 5/8" (44.8 cm) Min 18" (45.7 cm) Max
Cutout Height	32 1/2" (82.6 cm) Min 35" (88.9 cm) Max
Electrical Requirements	9.0 A
Hose Length	No more than 10' (3 m)
Voltz/Hertz/Amps	115 V, 60 Hz, 15 or 20 amp circuit
Shipping Weight	78 lb (35 kg)



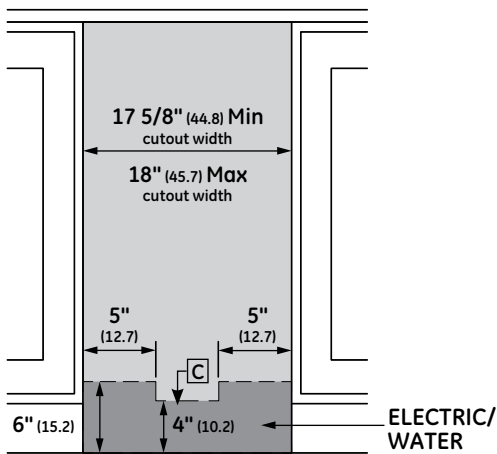
Dimensions in parentheses are in centimeters unless otherwise noted.



INSTALLATION

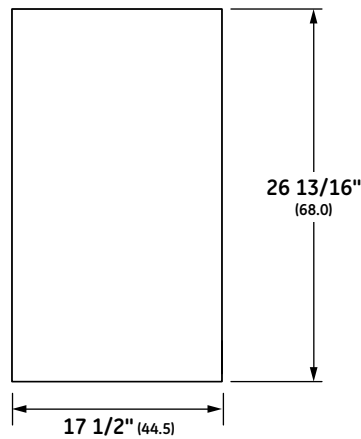


FLUSH CUTOUT INSTALLATION



INSTALLATION CUTOUT FRONT VIEW

CUSTOM PANEL



E

NOTES

- A The dishwasher drain hose must be no more than 10 feet in length for proper drainage.
- B A reduced-height installation (32-1/2" min.) beneath a 34" countertop can be accomplished by screwing in the rear legs flush with the bottom support, removing the front leveling legs and adding shims to level.
- C Water and electrical must be routed through the back wall shown in shaded area.
- D To prevent siphoning, an air gap or high drain loop must be used.
- E A custom panel installation template (Pub. No. 31-30244) is available from GE Parts and Accessories (US 800.626.2002, Canada 800.561.3344).

CUSTOM DISHWASHER DOOR PANEL TEMPLATE

GE PUB. NO. 31-30244

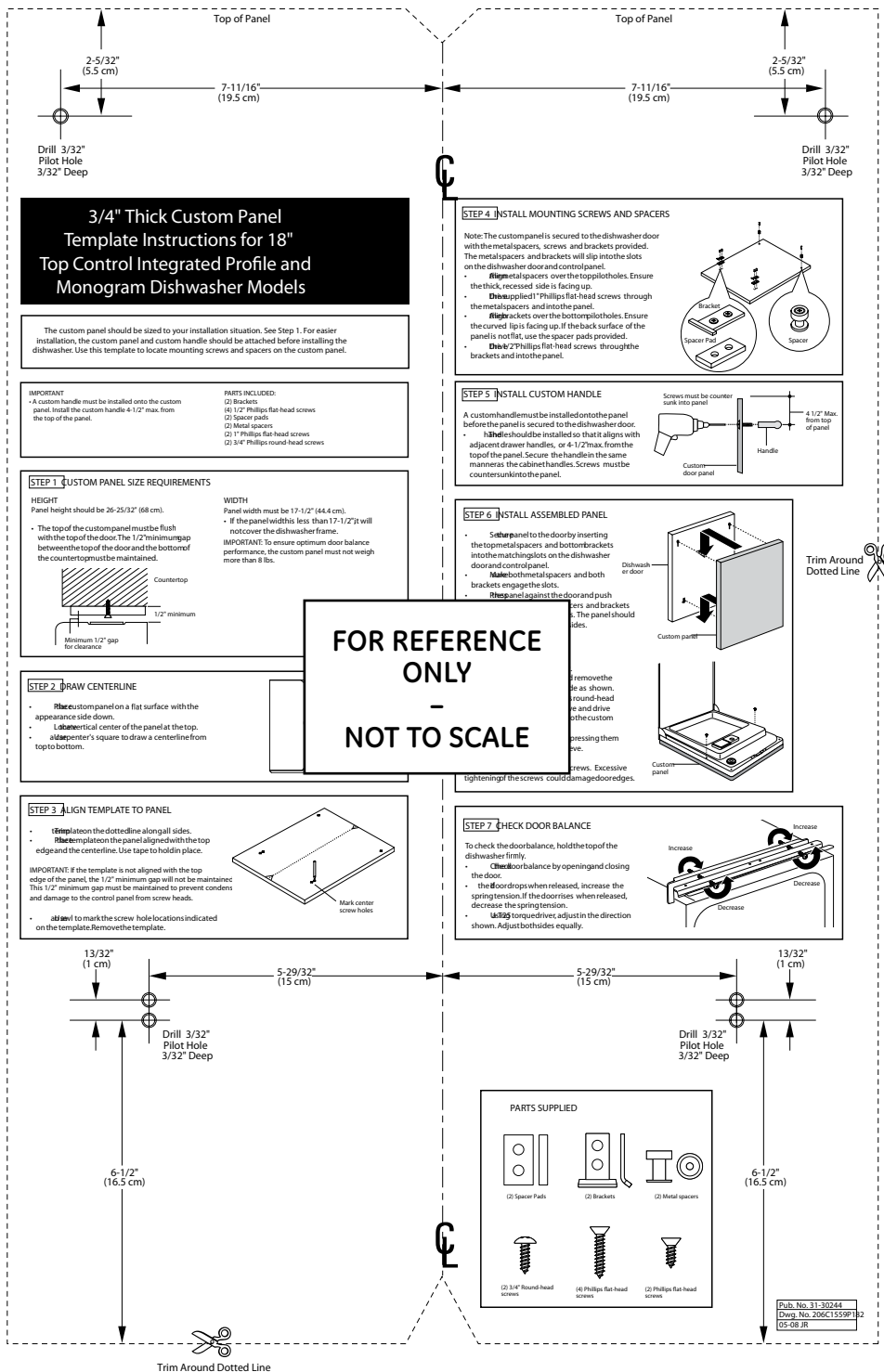
SPECIAL NOTES

The custom door panel and custom handle of your choice should be secured to the dishwasher before installation begins. A template with instructions and installation hardware is provided.

For planning purposes, you may order the template in advance by calling 1.800.GE.CARES (1.800.423.2737) or by visiting our website at GEAppliances.com in the United States.

In Canada, call 1.800.561.3344 or visit www.GEAppliances.ca. Order Pub. No. 31-30244. Complete panel installation instructions are included on the template.

Maximum panel weight is 8 LBS (3.6 kg).



CALL 1-800-626-2000

For a full-size panel template with complete panel installation instructions.

FEATURES AND BENEFITS

Custom Panel Model - Designed for personalization with customer-supplied cabinet-compatible panel and custom handle

Hidden, Integrated Electronic Controls - Allow easy activation of wash cycles: heavy wash, normal wash, light wash, china and rinse only

Five-Level Wash System - Provides effective, yet quiet cleaning power

Pearlescent Gray Racks with Ball-Tipped Tines - Provide plenty of space and loading flexibility

Stem Safe Shelf - Allows for odd-shaped items and delicate stemware

