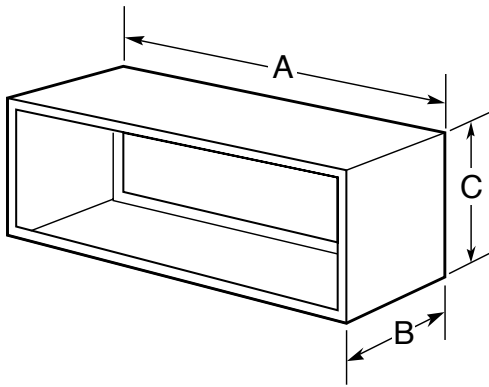




GE Appliances

AZ58H12D – GE Zoneline® Premium Series Heat Pump Unit

Wall Case Dimensions



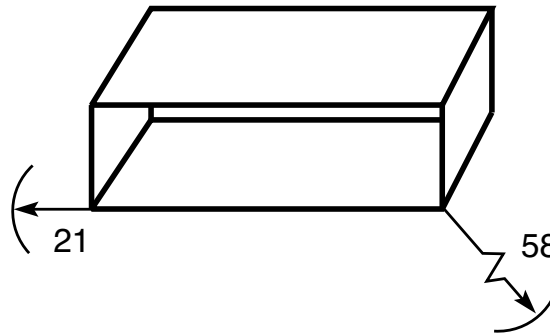
RAB71 Wall Sleeve

Heavy-gauge galvanized steel, with insulation.
A – 42", B – 13-3/4", C – 16"

RAB77 Wall Sleeve

Molded SMC fiberglass-reinforced polyester compound.
A – 42-1/8", B – 13-7/8", C – 16-1/4"

Maximum Cord Extension (in inches)



Wall Opening Dimensions

Add 1/4" to A and C dimensions for all cut-out size.
RAB71 16-1/4" Min. H x 42-1/4" Min. W
RAB71 available in 16", 24", 28" and 31" depths
RAB77 16-1/2" Min. H x 42-3/8" Min. W

230/208 Volt Line Cord Connected Units				
Line Cord Kit	Electric Heat (Btuh)	Electric Heater Watts	Electric Heat Amps	Min. Circuit Protection (Amps)
RAK3153	8,600/7,100	2,550/2,090	11.6/10.6	15
RAK3203	11,700/9,600	3,450/2,820	15.5/14.1	20
RAK3303	17,000/13,900	5,000/4,090	22.3/20.3	30

230/208 Volt Sub-Base Connected Units				
Sub-Base	Electric Heat (Btuh)	Electric Heater Watts	Electric Heat Amps	Min. Circuit Protection (Amps)
RAK204D15P	8,600/7,100	2,550/2,090	11.6/10.6	15
RAK204D20P	11,700/9,600	3,450/2,820	15.5/14.1	20
RAK204D30P	17,000/13,900	5,000/4,090	22.3/20.3	30

Specification Revised 4/06

390566

Electrical Wiring

All wiring, including installation of receptacle, must be made in accordance with local electrical codes and regulations.

Note: Aluminum wiring may pose special problems – consult a qualified electrician.

Grille Options

Stamped Aluminum Grille – RAG60

Exterior Architectural Louvers Durable Polycarbonate:

RAG61 or RAG64 (Beige) RAG63 or RAG66 (Bittersweet)

RAG62 or RAG65 (Maple) RAG67 (Extruded Aluminum)

Retrofit Kits:

RAK901L – Wall Case Insulation for use with heat pumps.

RAK40 – Deflector Kit to adapt chassis for use with existing exterior architectural louvered grilles.

Electrical Connection

230/208 volt units may be plugged into a receptacle. 265 volt units are provided with a junction box and require direct connection. (NEC Requires 265V Direct Connection) See Architects and Engineers Design Data Manual for electrical connection information including use of sub-base for direct connected units. Installation must comply with local electrical codes and regulations.

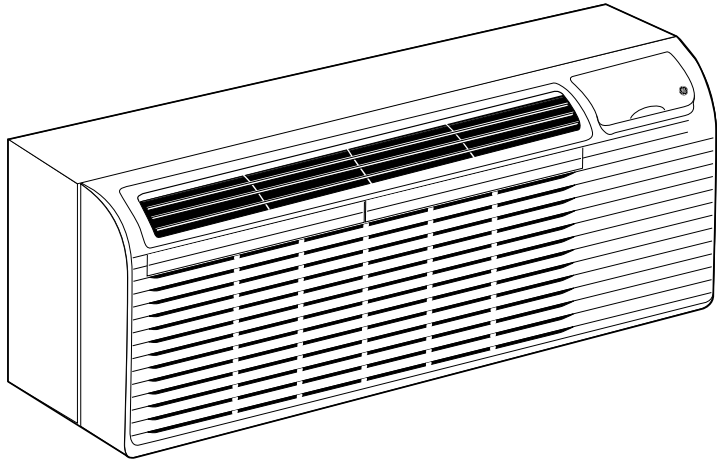
Power Connection kits required on all Zoneline chassis.

For answers to your Monogram,® GE Profile™ or GE® appliance questions, visit our website at ge.com or call GE Answer Center® service, 800.626.2000.



GE Appliances

AZ58H12D – GE Zoneline® Premium Series Heat Pump Unit



Features and Benefits

- 11,800/11,600 BTUH (Cooling)
- 11.5/11.5 E.E.R.
- 3.6 Dehumidification (pts/hr)
- 10,900/10,700 BTUH (Reverse Cycle Heat)
- 330/310 CFM Indoor Fan (High/Low)
- 75/45 Vent CFM
- Electronic 7-Step Temperature Limiting To Prevent Overcooling or Overheating of Room
- Heat Sentinel
- Reverse Cycle Defrost By Monitoring Operating Conditions
- 30 Sound Transmission Class (STC)
- Highly Featured Microcomputer – Tactile Touch Pad Controls with LED
- Model AZ58H12DAC – Warm grey beige (Corrosion Treated)
- Model AZ58H12DAD – Warm grey beige (Internal Condensate Removal)