



Zoneline® Vertical Air Conditioners

Safety Instructions2

Operating Instructions

Controls—Dip Switches3-5
Controls—Terminal
Connections6, 7
On/Off Switch8
Ventilation Control8

Care and Cleaning

Air Filters9
Base Pan9
Exhaust Coils9

Installation Instructions

Electrical Supply11-13
Installing the Zoneline14-21
Preparation10
Servicing22

Troubleshooting Tips23

Normal Operating Sounds24

Consumer Support

Consumer SupportBack Cover
Warranty27

**Owner's Manual and
Installation Instructions**

*Cool Only, Heat/Cool and
Heat Pump Models
7500 Series*

*Write the model and serial
numbers here:*

Model # _____

Serial # _____

Find these numbers on a label
on the front case panel.

IMPORTANT SAFETY INFORMATION. READ ALL INSTRUCTIONS BEFORE USING.

⚠ WARNING!

For your safety, the information in this manual must be followed to minimize the risk of fire, electric shock, or to prevent property damage, personal injury, or loss of life.



SAFETY PRECAUTIONS

- This Zoneline must be properly installed in accordance with the Installation Instructions before it is used. See the Installation Instructions in the back of this manual.
 - Replace immediately all electric service cords that have become frayed or otherwise damaged. A damaged power supply cord must be replaced with a new power supply cord obtained from the manufacturer and not repaired. Do not use a cord that shows cracks or abrasion damage along its length or at either the plug or connector end.
 - Product must be operated with the electrical plug supplied with the product. Do not replace the electrical plug supplied with the product.
 - If the receptacle does not match the plug, the receptacle must be changed out by a qualified electrician.
 - Unplug or disconnect the Zoneline at the fuse box or circuit breaker before making any repairs.
- NOTE:** We strongly recommend that any servicing be performed by a qualified individual.
- All air conditioners contain refrigerants, which under federal law must be removed prior to product disposal. If you are getting rid of an old product with refrigerants, check with the company handling disposal about what to do.

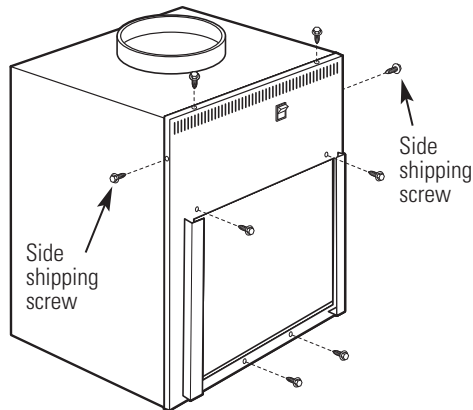
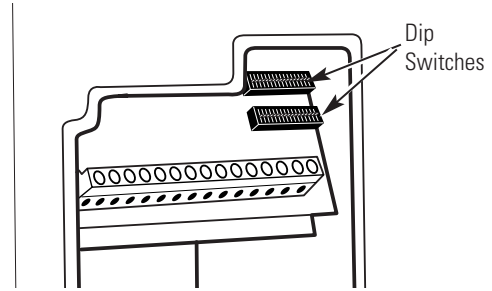


**READ AND FOLLOW THIS SAFETY INFORMATION CAREFULLY.
SAVE THESE INSTRUCTIONS**

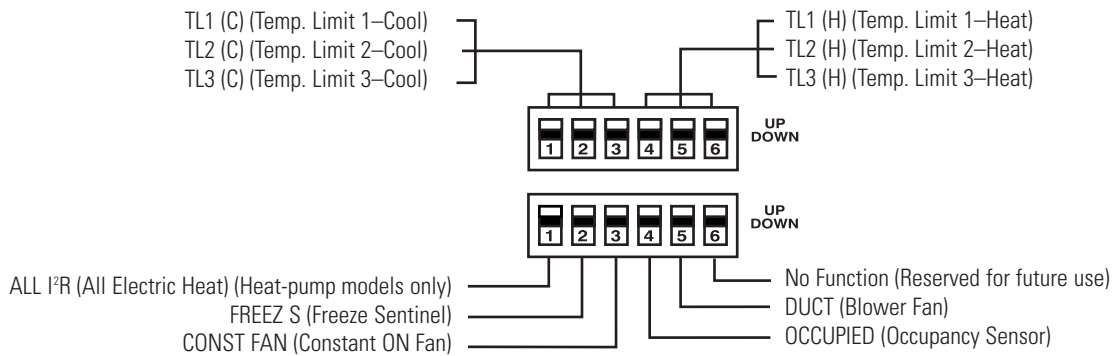
Controls—Dip Switches

The dip switch controls are located behind the front case panel, through an opening on the front of the unit.

To access the dip switches, remove the front case panel by removing the filter, taking out the four front screws, the upper two screws from the top of the panel and the shipping screws on each side, if present. (Discard the two side shipping screws, if present).

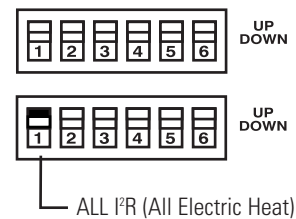


NOTE: The owner is responsible for setting the appropriate dip switches and connecting terminals.



All Electric Heat (Heat pump models only)

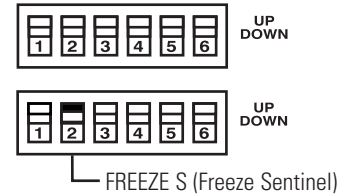
When this switch is enabled (**UPI**), heat pump operation is locked out, causing the unit to provide only electric resistance heat.



Controls—dip switches.

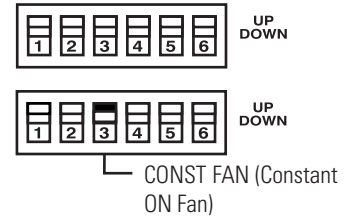
Freeze Sentinel *(Requires room air sensor kit—RAVRMS)*

When this switch is enabled (**UP**), it turns OFF the freeze sentinel protection feature. With the switch disabled (**DOWN**), the freeze sentinel is activated which automatically provides heat without user interface. This helps to prevent plumbing damage by turning the heater and fans ON at 41° F and OFF at 46° F.



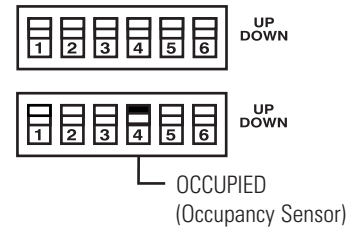
Constant ON Fan

When this switch is enabled (**UP**), it allows the fan to run continuously.



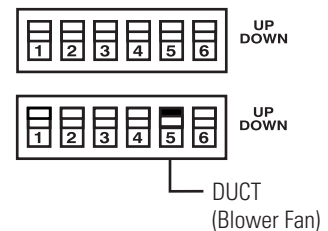
Occupancy Sensor

When this switch is enabled (**UP**), it allows the unit to utilize an infrared motion sensor and a door switch for occupancy detection. This feature allows an energy management system to be installed and operated in conjunction with the unit.



Duct

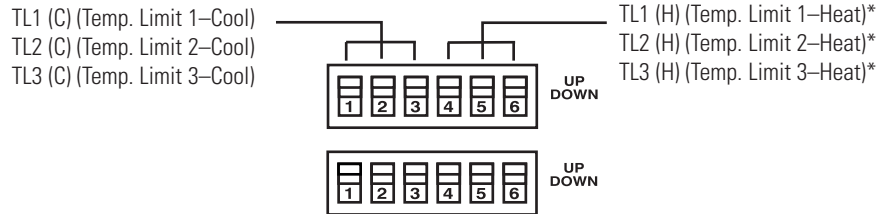
The duct select function allows the indoor fan to be operated at two variable fan speeds. When this switch is enabled (**UP**), the unit automatically selects either high or middle fan speed (for longer ductwork applications). When set in the down position, the unit is automatically operated in either the middle or low fan speed (for shorter ductwork applications).



Temperature Limiting (Requires room air sensor kit-RAVRMS)

Temperature limiting can reduce energy costs by limiting the lowest temperature that can be set for cooling and the highest temperature that can be set for heating. Temperature limiting is controlled by switches 1-6 on the top block

of auxiliary controls. The first three switches are used to select the cooling limits. The next three switches are used to control the heating limits.



Temperature limiting during COOL mode (all temperatures shown in °F)			
UP	DOWN	Minimum	Maximum
NONE	1, 2, 3	60°	85°
1	2, 3	64°	85°
1, 2	3	66°	85°
2	1, 3	68°	85°
2,3	1	70°	85°
1, 2, 3	NONE	72°	85°
1, 3	2	74°	85°
3	1, 2	76°	85°

Temperature limiting during HEAT mode (all temperatures shown in °F)*			
UP	DOWN	Minimum	Maximum
NONE	4, 5, 6	60°	85°
4	5, 6	60°	80°
4, 5	6	60°	78°
5	4, 6	60°	76°
5,6	4	60°	74°
4, 5, 6	NONE	60°	72°
4, 6	5	60°	70°
6	4, 5	60°	65°

* Not applicable to Cool-Only models

Controls—terminal connections.

Controls—Terminal Connections

The terminal connections are located behind the front case panel through an opening on the front of the unit.

To access the terminal connections, remove the front panel by removing the filter, taking out the four front screws, the upper two screws from the top of the panel and the shipping screws on each side, if present. (Discard the two side shipping screws, if present.)

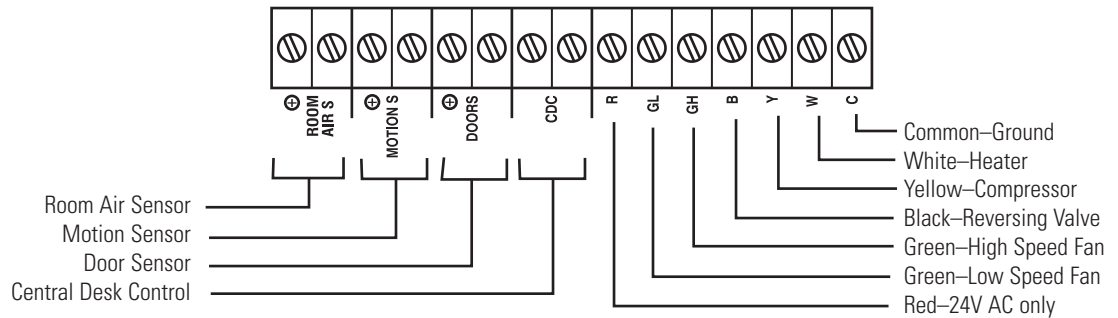
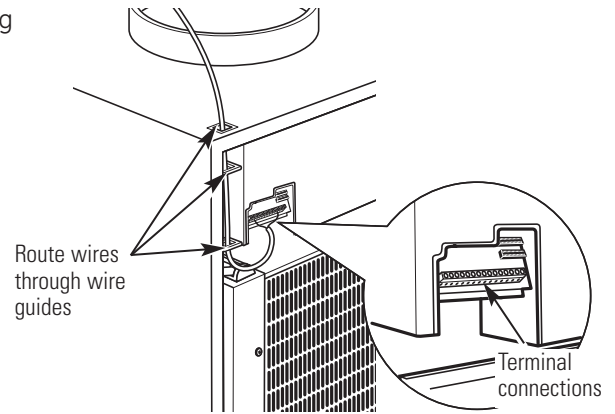
Insert the building hook-up wires into the bottom of the terminals and tighten screws securely to make the desired connections.

Route the wires from the terminal connections through the unit wire guides and out through the case wire guide.

NOTE: The owner is responsible for setting the appropriate dip switches and connecting terminals.

CAUTION:

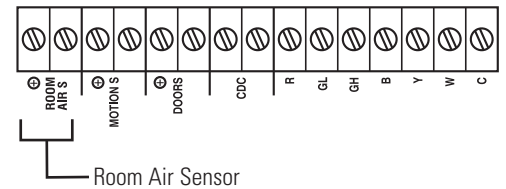
Improper CDC wiring may damage the Zoneline electronics or cause erratic Zoneline operation. No common bussing is permitted. A separate wire pair must be run from each separate controlling switch to each individual Zoneline.



Room Air Sensor (Requires room air sensor kit – RAVRMS)

When connected, the room air sensor will allow utilization of the temperature limiting and freeze sentinel features.

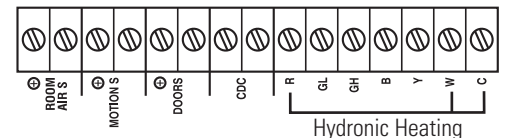
NOTE: If GE thermostat RAK148D1, RAK148P1 or RAK164D1, RAK164P1 is used with the unit, the room sensor kit is not needed for temperature limiting since this feature is incorporated in the thermostats.



Hydronic Heating (Requires Hydronic Heating Kit – RAVHW1, RAVHW2 or RAVHW3)

Required connections for hydronic heating kit.

NOTE: R, W, C terminal connections will also be connected to the remote thermostat if applicable.

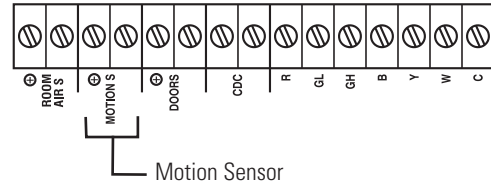


Motion Sensor (Obtained locally)

The Occupancy Sensor dip switch must be in the up position to use this feature.

When connected, the wall mounted motion sensor will detect motion in the room and automatically cycle the unit between normal operation and energy management operation.

The door and motion sensors work together to automatically cycle the unit between normal operation and energy management operation.

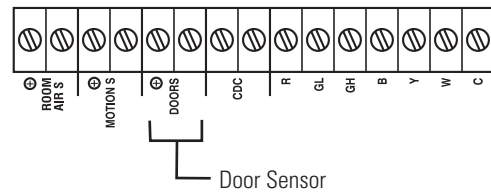


Door Sensor (Obtained locally)

The Occupancy Sensor dip switch must be in the up position to use this feature.

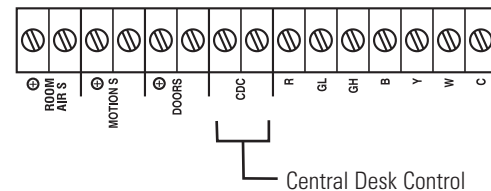
When connected, the door sensor will detect when the door in the room is opened or closed. This feature must be used in conjunction with the motion sensor.

The door and motion sensors work together to automatically cycle the unit between normal and energy management operations.



Central Desk Control

When connected, the unit lock-out is released and it can be turned ON or OFF with a switch located at the Central Desk Control. A separate wire pair must be run from each separate controlling switch to each individual Zoneline.



Remote Thermostat

The unit will be controlled by a remote thermostat.

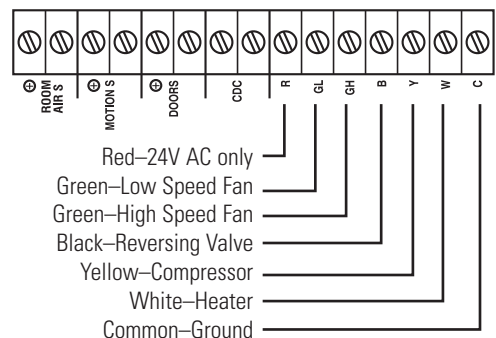
IMPORTANT:

The Zoneline thermostat connections provide 24V AC only.

If using a digital/electronic wall thermostat, you must set it to the 24V AC setting. See the Installation Instructions for the wall thermostat.

CAUTION:

Damage to a wall thermostat or to the Zoneline electronics can result from improper connections. Exercise extra attention when connecting blue and black wires. No line voltage connections should be made to any circuit in the thermostat. Isolate all wires in building from line voltage.



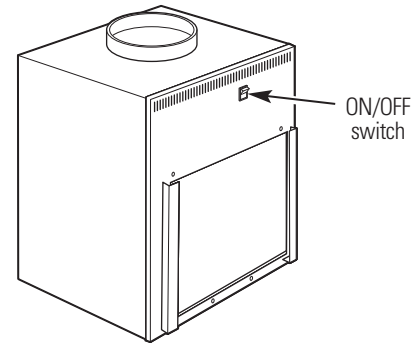
Other features of your Zoneline.

On/Off Switch

The unit on/off switch is located on the front of the Zoneline.

To turn on the unit, press the top of the switch in.

To turn off the unit, press the bottom of the switch in.



Ventilation Control

The ventilation control lever is located on the left side of the Zoneline unit, behind the front case panel.

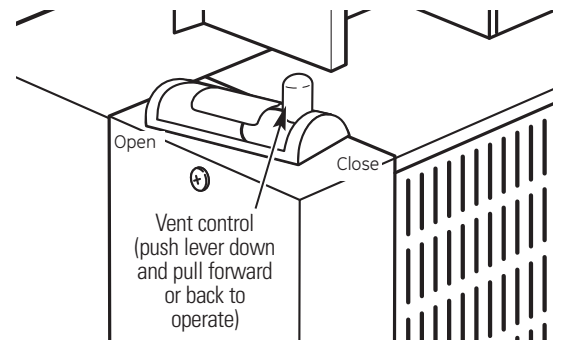
To access the ventilation control lever, remove the front panel by removing the filter, taking out the four front screws, the upper two screws from the top of the panel and the shipping screws on each side, if present. (Discard the two side shipping screws, if present).

When the lever is in the **CLOSE** position, only the air inside the room is circulated and filtered.

When the lever is in the **OPEN** position, some outdoor air will be drawn into the room. This will reduce the heating or cooling efficiency.

To close the vent, push the vent lever handle down, pull it forward and lock it up in place.

To open the vent, push the vent lever handle down, push it back and lock it up in place.



Energy Tip: Keep the vent control in the **CLOSE** position. The room air will be filtered and circulated.

About Heat Pumps *(on some models)*

Heat pumps can reduce operating costs by exchanging heat from the outside air—even when the outside temperature is below freezing—and releasing that heat indoors.

To get the best economic benefit from your heat pump, don't change the room thermostat setting very often. Raising the heat setting 2–3 degrees will cause the Zoneline to use its electric heating elements in order to reach the new temperature setting quickly.

There is a three minute minimum compressor run time at any setting to prevent short cycling.

The indoor fan motor starts before the compressor and stops after the compressor cycles off.

The electric heating elements use much more electricity than heat pumps and cost more to operate.

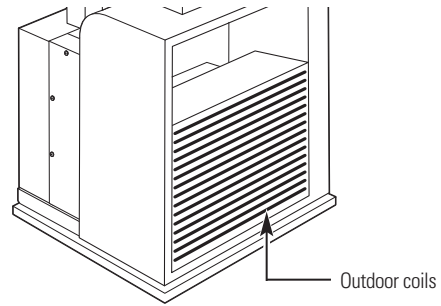
Do Not Operate Cool-Only Models in Freezing Outdoor Conditions

Cool-only air conditioners are not designed for use when freezing outdoor conditions exist. They must not be used in freezing outdoor conditions.

Turn off the Zonline and disconnect the power supply before cleaning.

Indoor/Outdoor Coils

The exhaust coils on the Zonline should be checked regularly. If they are clogged with dirt or soot, they may be professionally steam cleaned by your GE service center. You will need to remove the unit from the case to inspect the coils because the dirt build-up occurs on the exhaust side.



Have the coils cleaned regularly.

Drain

Clean the drain system regularly to prevent clogging.

Base Pan

In some installations, dirt or other debris may be blown into the unit from the outside and settle in the base pan (the bottom of the unit).

In some areas of the United States, a "gel-like" substance may be present in the base pan.

Check it periodically and clean, if necessary.

Air Filters

To maintain optimum performance, change the filter at least every 30 days.

The most important thing you can do to maintain the Zonline is to change the filter at least every 30 days. Dirty filters reduce cooling, heating and air flow.

Changing the filter will: Decrease cost of operation, save energy, prevent clogged heat exchanger coils and reduce the risk of premature component failure.

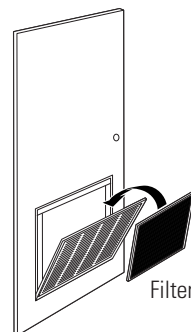
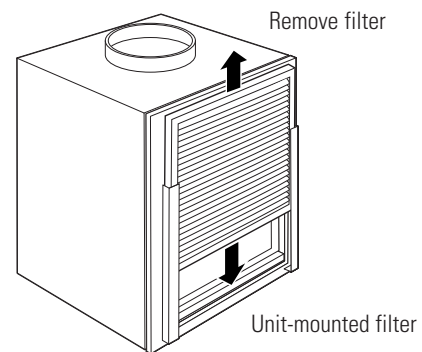
CAUTION: Do not operate the Zonline without the filter in place. If a filter becomes torn or damaged, it should be replaced immediately.

Operating without the filter in place or with a damaged filter will allow dirt and dust to reach the indoor coil and reduce the cooling, heating, airflow and efficiency of the unit.

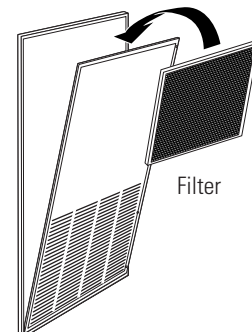
Replacement filters should be purchased from your local retailer where air conditioner and furnace accessories are sold.

Filter size required is 20" x 20" x 1".

To remove and replace the filter:



Return air grille



Access-panel with return air grille

Installation Instructions

Zoneline Air Conditioners

Questions? Visit our Website at: ge.com or call 800.GE.CARES (800.432.2737).

BEFORE YOU BEGIN

Read these instructions completely and carefully.

- **IMPORTANT** – Save these instructions for local inspector's use.
- **IMPORTANT** – Observe all governing codes and ordinances.
- **Note to Installer** – Be sure to leave these instructions with the owner.
- **Note to Owner** – Keep these instructions for future reference.
- Proper installation is the responsibility of the installer.
- Product failure due to improper installation is not covered under the Warranty.
- You **MUST** use all supplied parts and use proper installation procedures as described in these instructions when installing this air conditioner.

TOOLS YOU WILL NEED



Phillips screwdriver



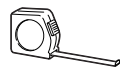
Adjustable wrench



Saw



Hammer



Tape measure

IMPORTANT ELECTRICAL SAFETY—READ CAREFULLY

⚠ CAUTION:

- All electrical connections and wiring **MUST** be installed by a qualified electrician.
- Follow the National Electrical Code (NEC) and/or local codes and ordinances.
- For personal safety, this Zoneline unit and case must be properly grounded.
- Protective devices (fuses or circuit breakers) acceptable for Zoneline installations are specified on the nameplate of each unit.
- Do not use an extension cord with this unit.
- Aluminum building wiring may present special problems—consult a qualified electrician.
- When the unit is not running there is still voltage to the electrical controls.
- Disconnect the power to the unit before servicing by:
 1. Removing the power cord (if it has one) from the wall receptacle.

OR

 2. Removing the branch circuit fuses or turning the circuit breakers off at the panel.

⚠ WARNING: Before beginning the installation, switch power off at the service panel and lock the area to prevent power from being switched on accidentally. When the area cannot be locked, securely fasten a prominent warning device, such as a tag, to the service panel.

Installation Instructions

ELECTRICAL REQUIREMENTS

- Use **ONLY** the wiring size recommended for single outlet branch circuit.
- Proper current protection is the responsibility of the owner.

Recommended branch circuit wire sizes*	
Nameplate maximum circuit breaker size	AWG Wire size**
15A	14
20A	12
30A	10

AWG – American Wire Gauge
 * Single circuit breaker from main box
 ** Based on copper wire, single insulated conductor at 60° C

NOTE: Use copper conductors only.

230/208 VOLT ELECTRICAL SUPPLY

A power supply kit must be used to supply power to the Zonline unit. The appropriate kit is determined by the voltage, the means of electrical connection and the amperage of the branch circuit. See the **POWER CONNECTION CHART** on page 13 to select the appropriate kit.



Power supply kit

All wiring, including installation of the receptacle, must be in accordance with the NEC and local codes, ordinances and regulations.



Tandem
15 Amp



Perpendicular
20 Amp

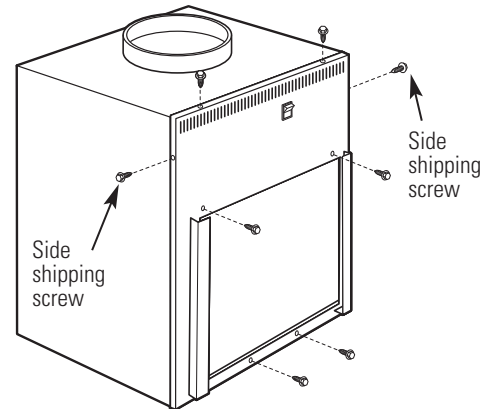


Large Tandem
30 Amp

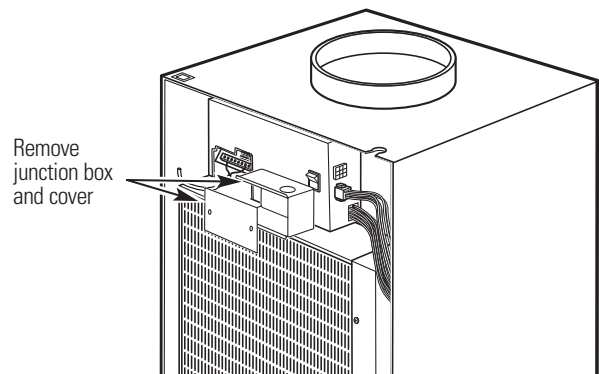
230/208 volt receptacle configuration

FOR 230/208 VOLT POWER CORD CONNECTIONS ONLY

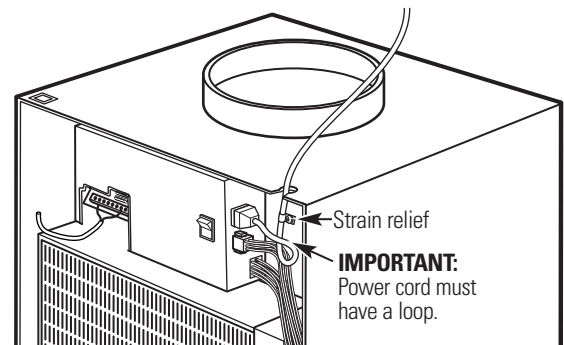
1. Remove the front panel by taking out the four front screws, the upper two screws from the top of the panel and the shipping screws on each side, if present. (Discard the two side shipping screws, if present.)



2. Remove the junction box cover and the junction box and discard.



3. Connect the power cord, with a loop, through the strain relief.

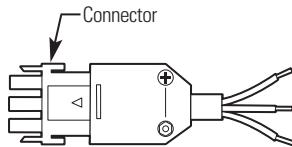


Installation Instructions

DIRECT CONNECT APPLICATIONS

FOR 230/208 VOLT DIRECT CONNECT APPLICATIONS ONLY

Direct connection to branch circuit wiring inside the provided junction box must be made by connecting as follows in steps 1-3 below.



FOR 265 VOLT DIRECT CONNECT APPLICATIONS ONLY

IMPORTANT: Connection of a 265V AC product to a branch circuit **MUST** be done by direct connection in accordance with the National Electrical Code. Plugging this unit into a building mounted exposed receptacle is not permitted by code.

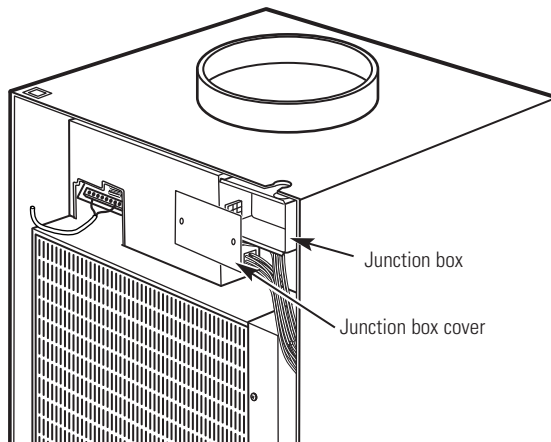
These models must be installed using the appropriate GE power supply kit for the branch circuit amperage and the electrical resistance heater wattage desired. See the POWER CONNECTION CHART on page 13 to select the appropriate kit.

It is the responsibility of the installer to ensure the connection of components is done in accordance with electrical codes.

Direct connection to branch circuit wiring inside the provided junction box must be made by connecting as follows in steps 1-3 below.

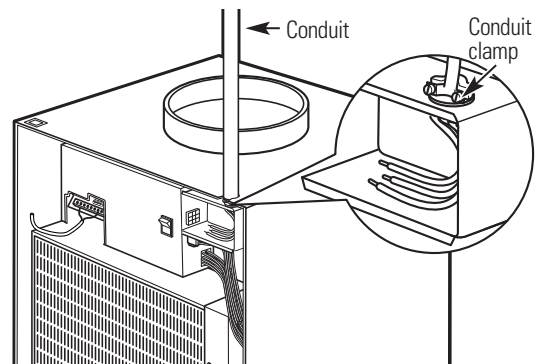
1 REMOVE JUNCTION BOX COVER

- Remove the junction box cover by taking out the front two screws.



2 ATTACH CONDUIT

- Use the round knockout hole at the top of the junction box to install conduit coming from the branch circuit. Install and clamp the conduit through the conduit clamp and bring wire leads into the junction box. Leave 8" of wire free from the end of the conduit.

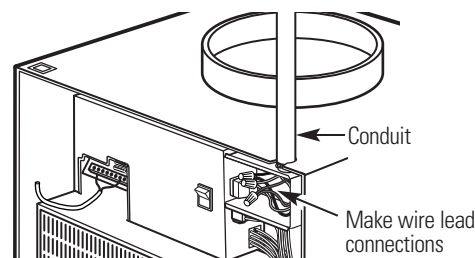


Installation Instructions

DIRECT CONNECT APPLICATIONS

3 MAKE WIRE LEAD CONNECTIONS INSIDE THE JUNCTION BOX

1. Make all wire connections by using appropriate UL-listed electrical connectors and techniques.
2. Select the applicable wiring situation and follow the instructions accordingly:
 - **1-Phase 220-240 VAC**
 When connecting the Zonline to a single-phase circuit for 230V applications:
 Connect the white and black leads of the Zonline power supply kit to the branch circuit L1 and L2 leads. (The white lead of the power supply kit should be identified by the installer using electrical tape with some color other than green or white.) Connect the green lead of the power supply kit to the power supply and branch circuit ground.
 - **3-Phase 208 VAC**
 When connecting the Zonline to a three-phase circuit for 208V applications:
 Connect the white and black leads of the Zonline power supply kit to the branch circuit L1 and L2 leads. (The white lead of the power supply kit should be identified by the installer using electrical tape with some color other than green or white.) Connect the green lead of the power supply kit to the power supply and branch circuit ground.
 - **3-Phase 208 VAC with "Crazy Leg"**
 When connecting the Zonline to a three-phase circuit with "Crazy Leg" for 208V applications:
 Connect the white and black leads of the Zonline power supply kit to the branch circuit Neutral and L1 leads. (The white lead of the power supply kit should be connected to neutral.) Connect the green lead of the power supply kit to the power supply and branch circuit ground.
 - **3-Phase 253-277 VAC**
 When connecting the Zonline to a three-phase circuit for 265V applications:
 Connect the white and black leads of the Zonline power supply kit to the branch circuit Neutral and L1 leads. (The white lead of the power supply kit should be connected to neutral.) Connect the green lead of the power supply kit to the power supply and branch circuit ground.
3. Be sure that all wire leads are inside the junction box and not pinched between the box and the unit. The green insulated ground wire from the Zonline **MUST** be connected to the branch circuit ground wire.
4. Plug the 9-pin connector into the 9-pin receptacle in the junction box.
5. Replace the junction box cover by replacing the two screws removed earlier.



POWER CONNECTION CHART

Power Cord Connections

230/208 Volt Power Supply Kits	Wall Plug Configuration	Circuit Protective Device	Heater Wattage @ 230/208 Volts
RAK3152	Tandem	15-Amp Time-Delay Fuse or Breaker	2.55/2.09 KW
RAK3202	Perpendicular	20-Amp Time-Delay Fuse or Breaker	3.45/2.82 KW
RAK3302	Large Tandem	30-Amp Time-Delay Fuse or Breaker	5.00/4.10 KW

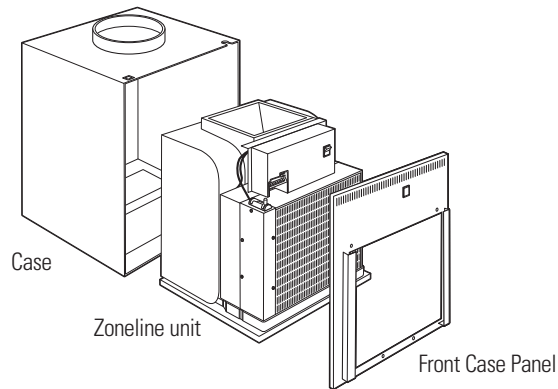
Direct Connections

230/208 Volt Power Supply Kits	Heater Wattage @ 230/208 Volts	Circuit Protective Device
RAK4157	2.55 KW/2.09 KW	15-Amp Time-Delay Fuse or Breaker
RAK4207	3.45 KW/2.82 KW	20-Amp Time-Delay Fuse or Breaker
RAK4307	5.00 KW/4.10 KW	30-Amp Time-Delay Fuse or Breaker

265 Volt Power Supply Kits	Heater Wattage @ 265 Volts	Circuit Protective Device
RAK5157	2.55 KW	15-Amp Time-Delay Fuse or Breaker
RAK5207	3.45 KW	20-Amp Time-Delay Fuse or Breaker
RAK5307	5.00 KW	30-Amp Time-Delay Fuse or Breaker

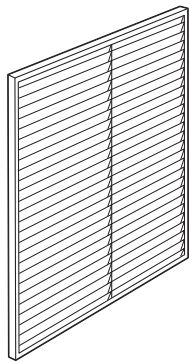
Installation Instructions

ZONELINE COMPONENTS

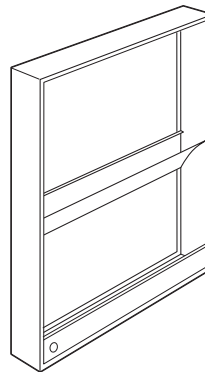


REQUIRED ACCESSORIES

(Check the "Essential Elements" label on the unit.)



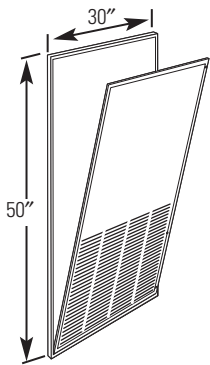
Architectural Louver
RAVAL1



Cutout
Dimensions:
20" W x 32 1/4" H

Wall Plenum

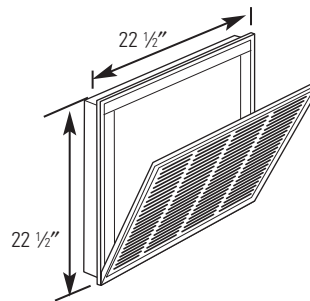
- RAVWP6 - 6"D x 19 3/4"W x 32"H
- RAVWP8 - 8"D x 19 3/4"W x 32"H
- RAVWP12 - 12"D x 19 3/4"W x 32"H
- RAVWP15 - 15"D x 19 3/4"W x 32"H



Cutout
Dimensions:
28"W x 48"H

Access Panel with
Return Air Grille
RAVRG1

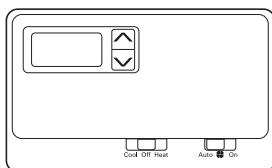
OR



Cutout
Dimensions:
20 3/8"W x 20 3/8"H

Return Air Grille
RAVRG2

Wall Thermostat



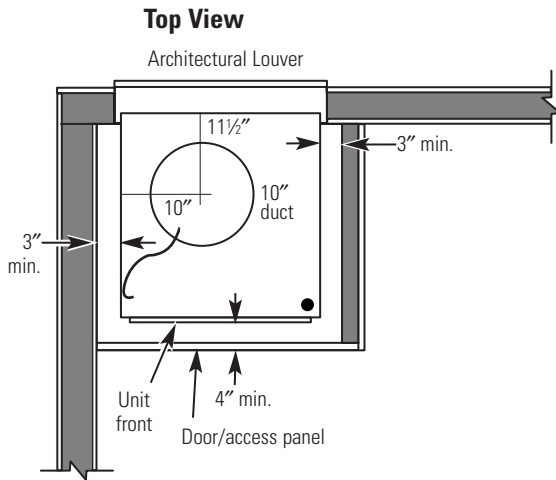
Model Type	Mechanical Thermostat	Electronic Thermostat
Heat/Cool Models	4-wire	5-wire
Heat Pump Models	6-wire	6-wire

Check the thermostat instructions for correct wiring and installation requirements.

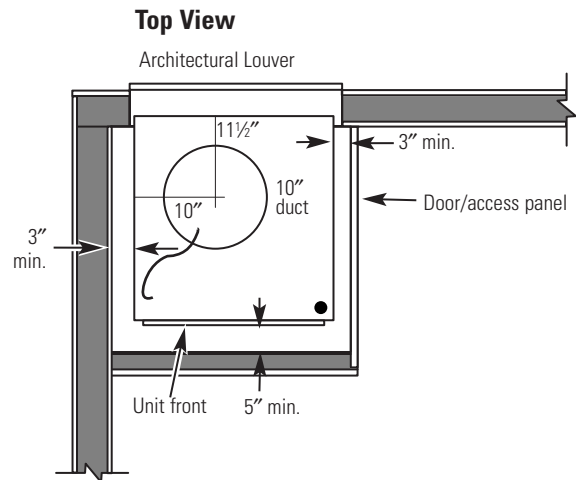
Installation Instructions

TYPICAL UTILITY CLOSET AND DIMENSIONS (FOR REFERENCE ONLY)

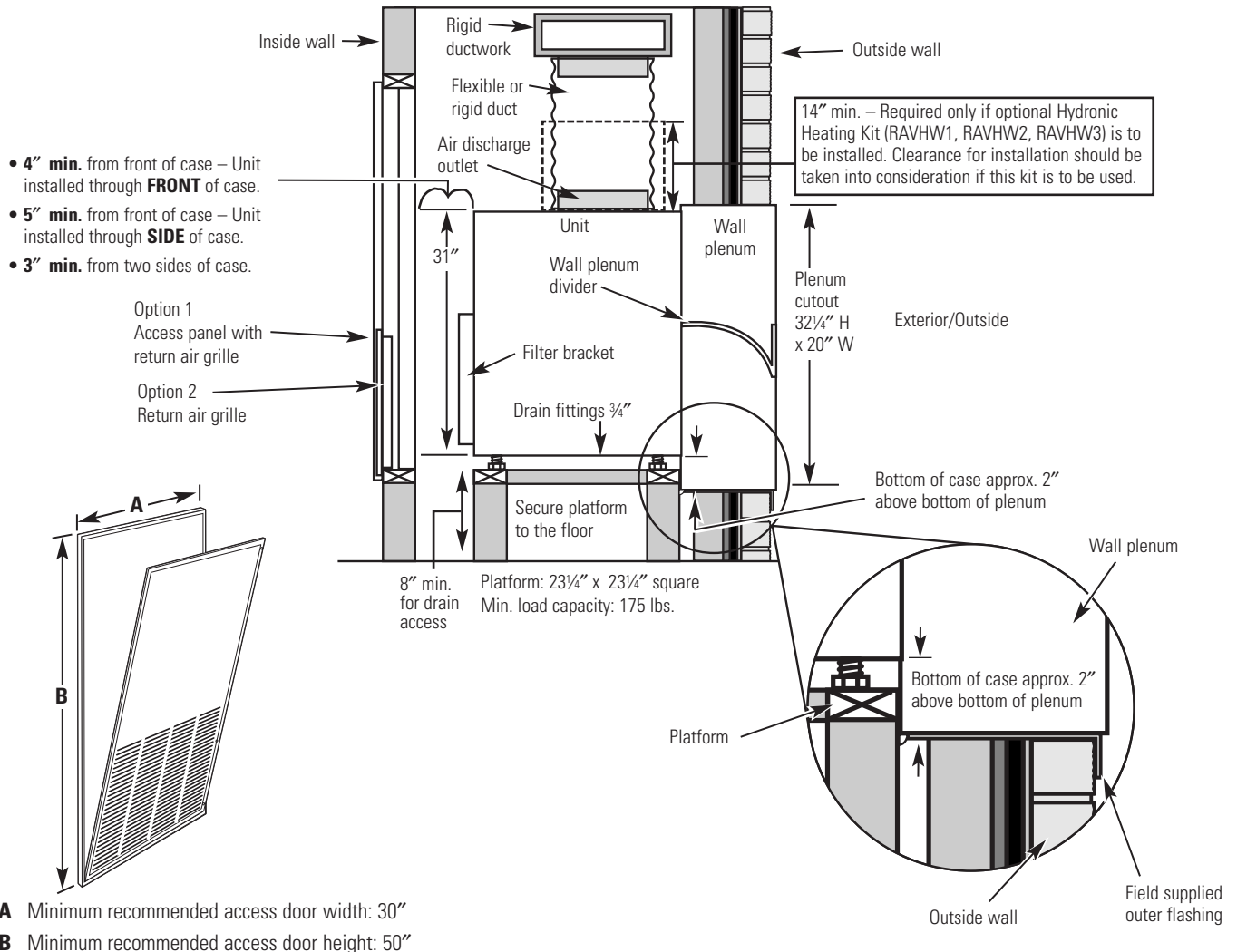
UNIT INSTALLED THROUGH FRONT OF CASE



UNIT INSTALLED THROUGH SIDE OF CASE



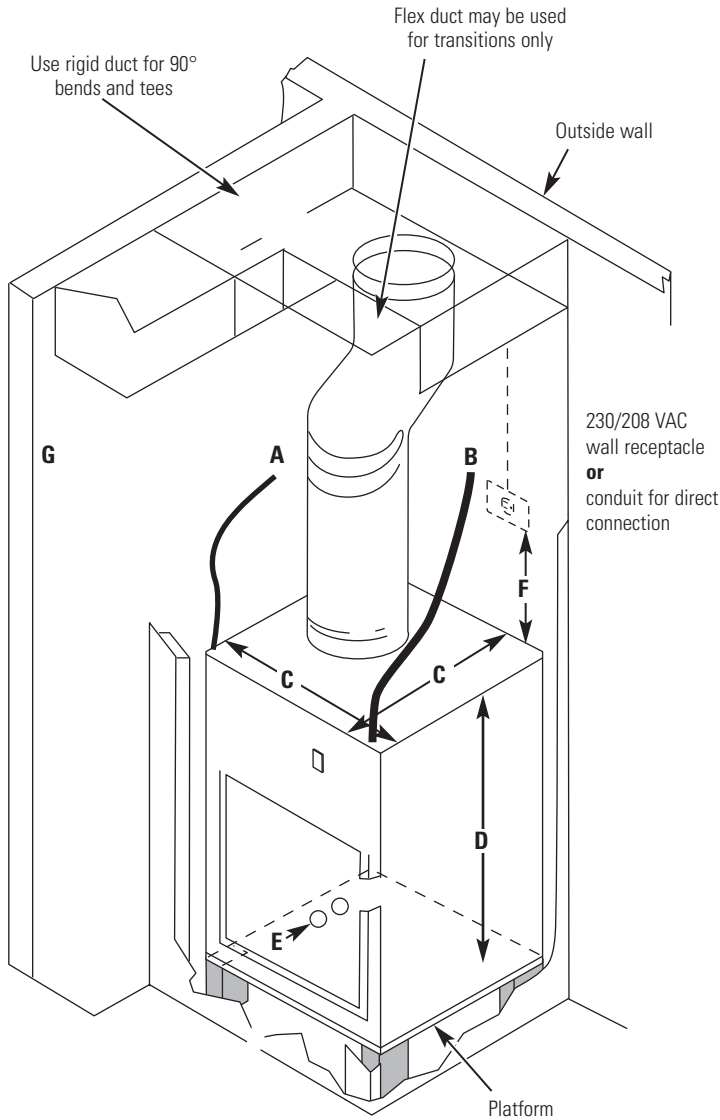
Side View



Installation Instructions

UTILITY CLOSET CONNECTION LOCATIONS

IMPORTANT: Plan and locate plenum, wall plug, drains and thermostat carefully to avoid interference. Hard-to-reach locations will make installation and service difficult!



Reference Dimensions

- A Thermostat cable: 9½' long
- B Power cord: 60" long
- C Case width and depth: 23⅛"
- D Case height: 31"
- E Condensate drains: 3/4" connector
 - Primary Drain – Centerline of cutout is approximately 5¼" from left case wall and 8½" from back case wall.
 - Secondary Drain – Centerline of cutout is approximately 6½" from left case wall and 5¼" from back case wall.
- F Typical wall plug: 6"–12" above case
- G Room air sensor kit: 10' long

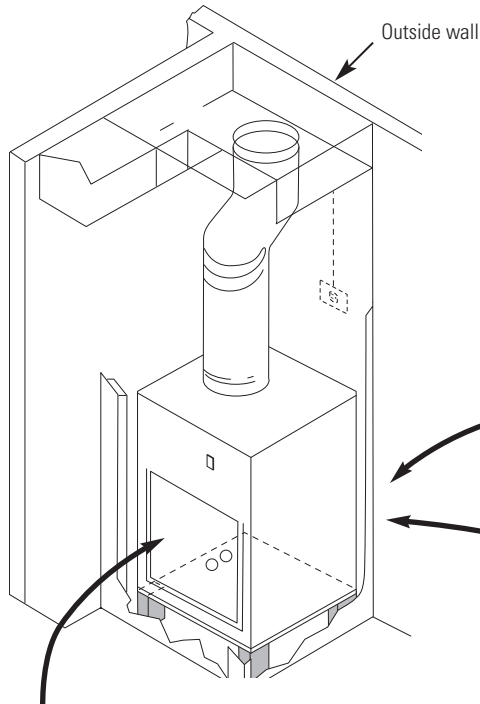
Installation Instructions

RETURN AIR GRILLE INSTALLATION OPTIONS

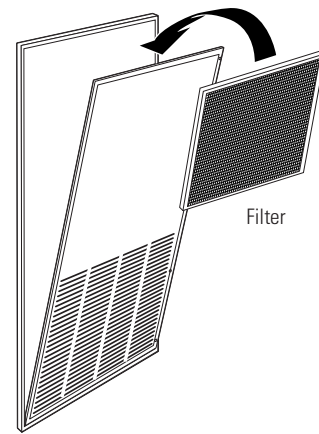
The room return air grille may be installed toward the front or either side of the unit. Improper return air arrangements will cause performance problems.

There are three indoor return air grille installation options. Choose the option that best suits your installation requirements. Follow the Installation Instructions provided with the return air grille accessory for installation details.

NOTE: Use only one filter in the installation. The filter may be installed on the unit or in the access panel/door.

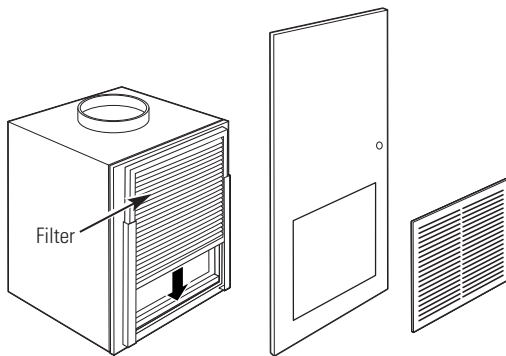


RAVRG1 – Access panel with return air grille



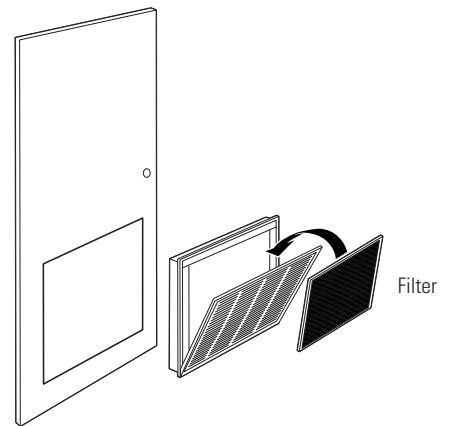
Option 1

Unit-mounted filter with a field-supplied return air grille and access door/panel



Option 3

RAVRG2 – Return air grille



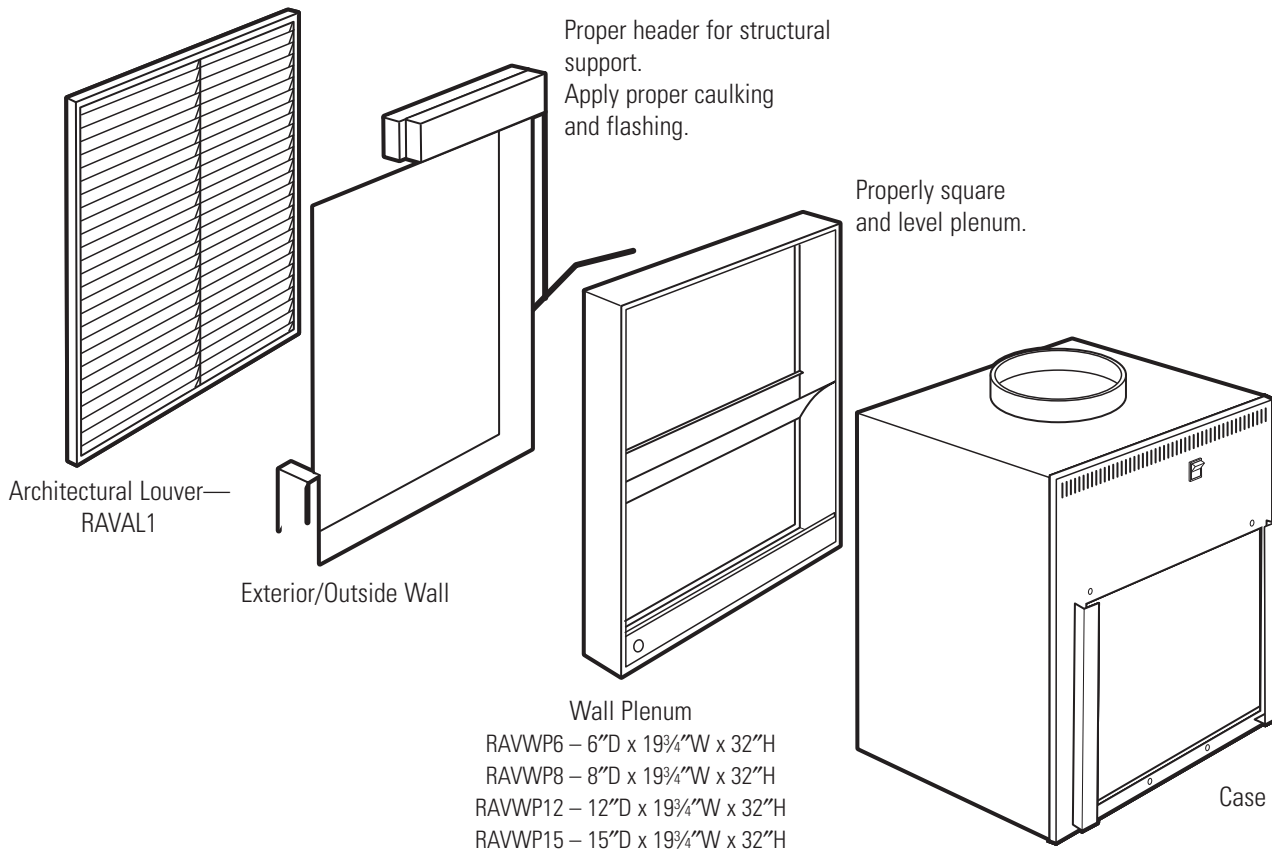
Option 2

Installation Instructions

WALL PLENUM AND ARCHITECTURAL LOUVER INSTALLATION

- Install the appropriate wall plenum through the exterior wall in accordance with the Installation Instructions provided with the plenum.

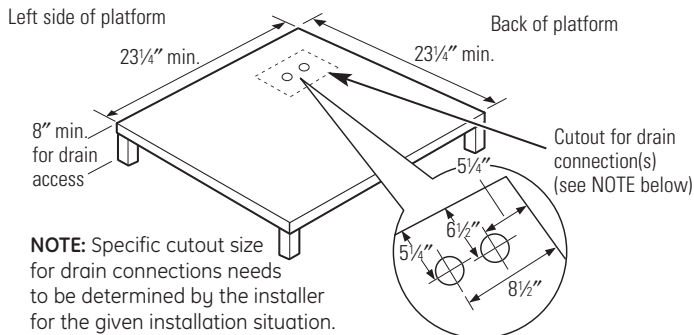
IMPORTANT: The wall plenum is not designed to carry structural loads. Proper wall header construction is required. The plenum requires proper flashing, shim and caulk for a weather resistant installation.



1 BUILD AND INSTALL THE ZONELINE BASE PLATFORM

1. Construct a 23¼” min. x 23¼” min. square platform with legs to raise the platform a minimum of 8”.

NOTE: The platform must have a load-bearing capacity of 175 lbs. minimum.



2. Make drain hole cutout(s):
 - Primary Drain – Centerline of drain is approximately 5¼” from left platform edge and 8½” from back platform edge.
 - Secondary Drain – Centerline of drain is approximately 6½” from left platform edge and 5¼” from back platform edge.
3. Place the platform in the utility closet with the following clearance between it and the interior surface of the walls/door/panel:
 - 4” min. from front of the case – Unit to be installed through **FRONT** of case
 - 5” min. from front of the case – Unit to be installed through **SIDE** of case
 - 3” min. from two sides of the case
4. Align the platform with the opening of the wall plenum and secure to the floor using appropriate brackets and bolts.

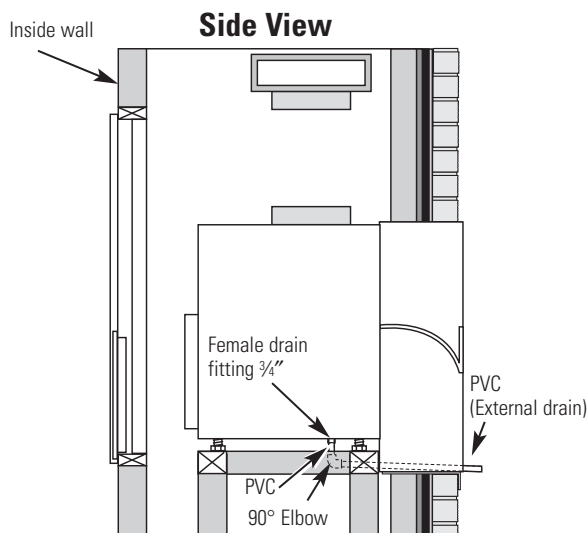
Installation Instructions

2 INSTALL THE DRAIN(S)

An external or an internal drain must be attached to the primary drain connector. A secondary drain is supplied if required by state and local codes. Refer to the local codes for proper installation of the drains. If the secondary drain is not used, seal its drain port with a 3/4" MNPT plug.

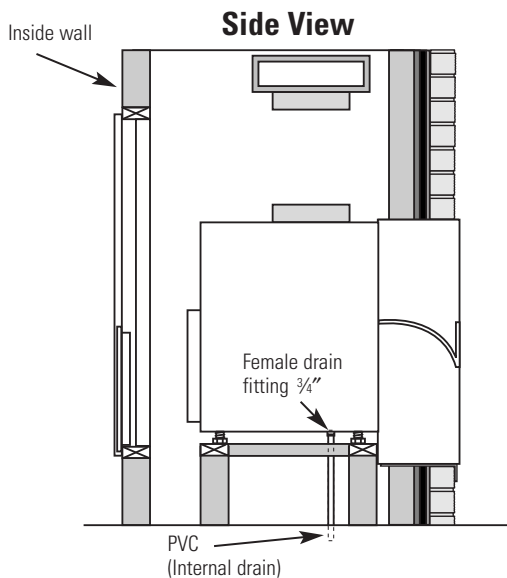
External Drain

Attach a 90° PVC elbow to the unit's female 3/4" NPT drain connector. Use the other end of the elbow to run a 3/4" Sch. 40 PVC pipe through the knockout holes of both the wall plenum and the architectural louver to the outside. Seal the gap between the plenum hole and PVC tube. See the Installation Instructions in the RAVAL1.



Internal Drain

Attach PVC to the unit's female 3/4" NPT drain connector. See the Installation Instructions in the RAVAL1. Local codes may apply.



3 DUCTWORK

Prepare the closet ductwork for later connection to the case.

The total flow rate (CFM) and external static pressure (ESP) available can be estimated from the chart below. Use these charts to select your fan speed setting. The collar on top of the case accepts standard 10" duct.

Pull all duct tight. Extra duct slack can greatly increase static pressure.

CAUTION: Flex duct can collapse and cause airflow restrictions. Do not use flex duct for 90° bends or unsupported runs of 5 ft. or more.

Airflow – CFM@230 Volts and @ 265 Volts					
	ESP (in. water)	Indoor Fan CFM			
		DUCT SELECT SWITCH			
		UP		DOWN	
		High CFM	Medium CFM	Medium CFM	Low CFM
AZ75(H/E)09	0.0	390	340	340	305
	0.1	370	320	320	290
	0.2	350	300	300	270
	0.3	330	280	280	250
	0.4	310	260	260	230
AZ75(H/E)12	0.0	475	390	390	350
	0.1	450	370	370	325
	0.2	425	350	350	300
	0.3	400	330	330	275
	0.4	375	315	315	250
AZ75(H/E)18	0.0	630	545	545	490
	0.1	610	530	530	480
	0.2	590	515	515	470
	0.3	570	495	495	455
	0.4	550	475	475	440

To correct for 208 volts: 0.91

Your airflow should be balanced based on many factors, such as available ESP, room CFM, and ductwork. Consult an HVAC engineer for proper applications. External static pressure (ESP) can be measured with a manometer or pitot tube. Once this ESP is established, you can calculate the CFM using the above chart.

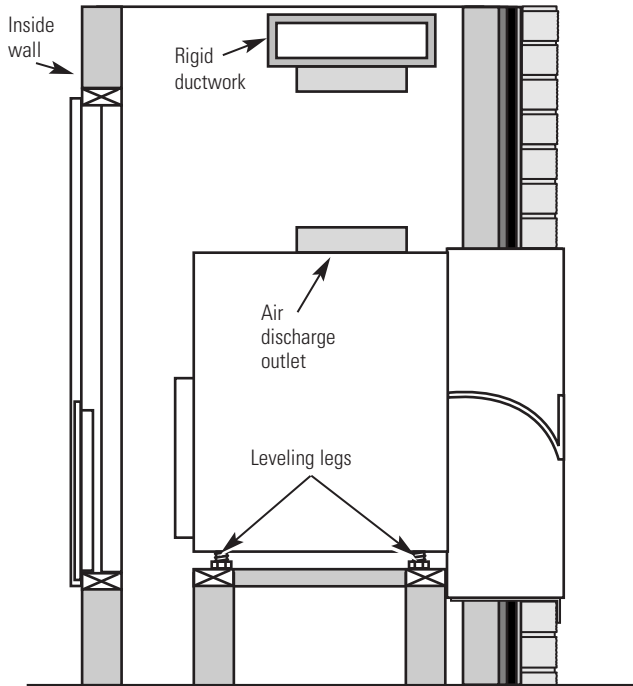
CFM Recommendations								
9,000 BTU			12,000 BTU			18,000 BTU		
275	300	325	350	375	400	450	500	550
	•			•			•	
• = Recommended Mid Range								

Higher CFMs tend to increase Sensible capacity, enhance room circulation and increase duct noise, while lower CFMs tend to increase Latent capacity and reduce noise.

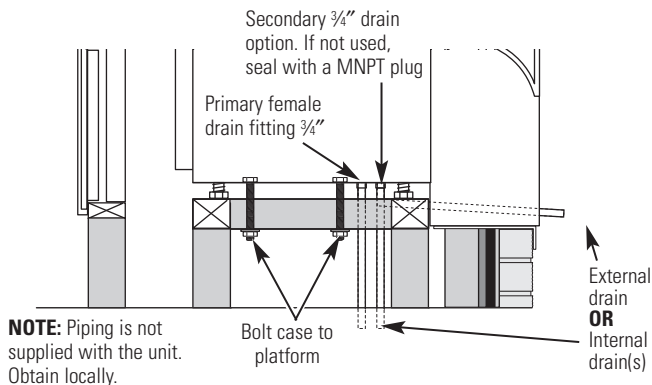
Installation Instructions

4 INSTALL AND CONNECT THE CASE

1. Remove the front case panel and pull the unit out of the case. Place the empty case onto the platform in the closet with the outdoor side facing the wall plenum opening. Align the case with plenum opening and attach with six field-supplied sheet metal screws (corrosion-resistant screws recommended).
2. Adjust all four leveling legs until the case is level.

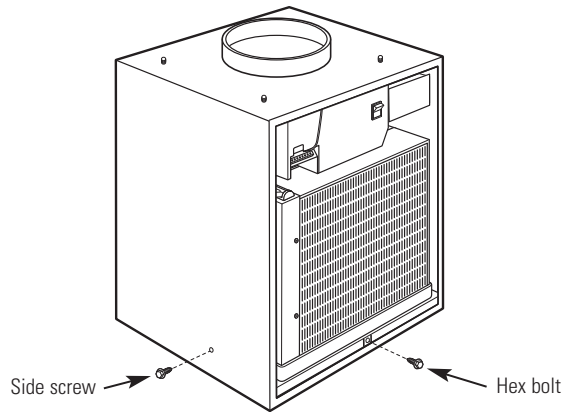


3. Using field-supplied screws, bolt the case to the platform.
4. Connect the internal or external drain(s) as necessary.



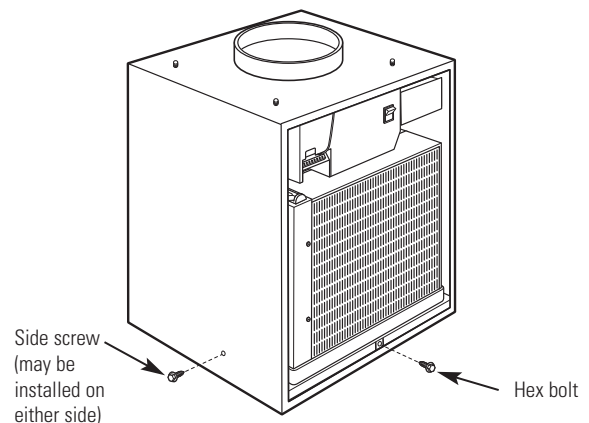
5a INSTALL AND GROUND THE UNIT TO THE CASE UNIT INSTALLED THROUGH FRONT OF CASE

1. Slide the back of the unit into the case. Push the unit all of the way into the case until it stops.
- NOTE:** Either of the case sides may be removed to enable the unit to be slid into the case.
2. Ground the unit to the case by installing the front case-to-unit hex-bolt and/or case-to-unit side screw.



5b INSTALL AND GROUND THE UNIT TO THE CASE UNIT INSTALLED THROUGH SIDE OF CASE

1. Slide the side of the unit into the case. Push the unit all of the way into the case until it stops.
- NOTE:** Either of the case sides may be removed to enable the unit to be slid into the case.
2. Attach the case side panel to the main case.
 3. Ground the unit to the case by installing the front unit-to-case hex-bolt and/or case-to-unit side screw.

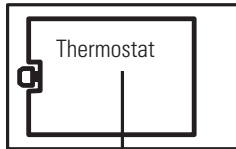


Installation Instructions

6 MAKE UNIT ELECTRICAL CONNECTIONS

1. Connect the thermostat wires to the unit and set the dip switches to the appropriate settings.

NOTE: See the *Controls-Terminal Connections* and *Controls-Dip Switches* sections of this manual and the manual with the separate thermostat for proper connections and settings.



Maximum Wiring Length for Thermostat Connection to the Unit

66 ft. for AWG 18

60 ft. for AWG 20

40 ft. for AWG 24

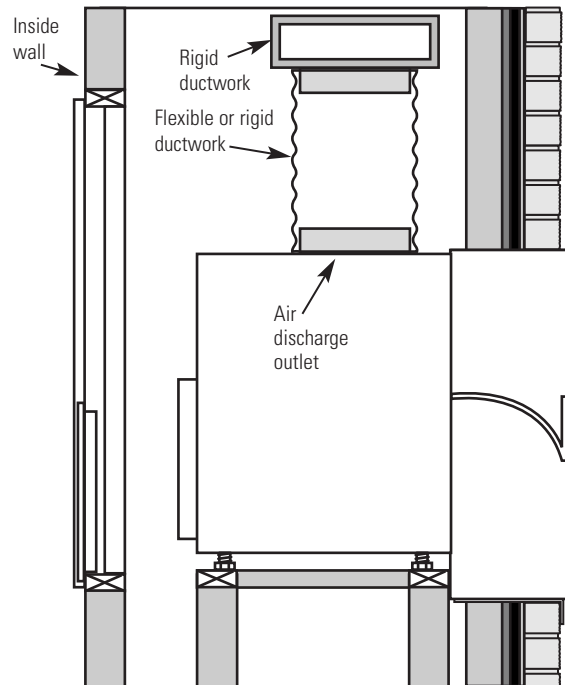
AWG – American Wire Gauge

Unit Connections

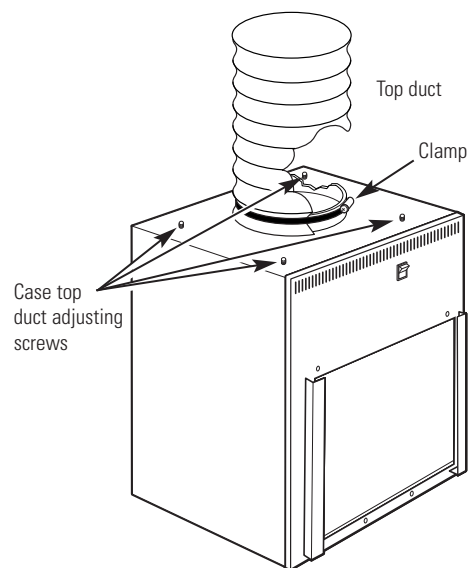
2. Make power connections to the unit.
NOTE: See the *ELECTRICAL REQUIREMENTS* and *DIRECT CONNECT APPLICATIONS* sections, as appropriate, of this manual for proper connections.
3. Replace the case front panel by replacing the four front screws and the two top screws.

7 CONNECT THE TOP DUCT

1. Install the duct onto the air discharge outlet.



2. Secure the top duct to the unit by turning the four case top duct adjusting screws until they are tight. Use a field supplied clamp to lock the top duct to the case.



Installation Instructions

8 FINAL CHECK

Review this **Checklist** before restoring power.

- Correct line voltage?
- Single circuit only?
- HVACR type breaker/fuse?
- Ductwork connected?
- Case and unit level?
- Wall plenum caulked? Level? Flashing?
- Drain connected?
- Wall thermostat wired correctly?
- Unit wired correctly?
- Hydronic plumbing connections (if applicable)
- Hydronic wiring connections (if applicable)

9 CONNECT POWER

1. If all the above items are correct, turn the power on at the main service panel.
2. Turn the unit power switch, on the front of the unit, to ON by pressing the top of the switch in.

SERVICING

⚠ WARNING: Before servicing, switch power off at the service panel and lock the area to prevent power from being switched on accidentally. When the area cannot be locked, securely fasten a prominent warning device, such as a tag, to the service panel.

NOTE: We strongly recommend that any servicing be performed by a qualified individual.

For ease of service, the unit can be removed from the case:

1. Unplug the power cord and disconnect the wall thermostat connections.
2. Raise the top duct by turning all four case top duct adjusting screws counterclockwise.
3. Remove the front case panel.
4. Remove the front and/or side case-to-unit grounding screw, if present.
5. Slide the unit out of the case.

Troubleshooting Tips

Problem	Possible Causes	What To Do
Zoneline does not start	The unit is unplugged.	<ul style="list-style-type: none"> Make sure the Zoneline plug is pushed completely into the outlet.
	The fuse is blown/circuit breaker is tripped.	<ul style="list-style-type: none"> Check the house fuse/circuit breaker box and replace the fuse or reset the breaker.
	The unit is waiting for the compressor overload protector to reset.	<ul style="list-style-type: none"> This is normal. The Zoneline will start again after it resets.
	Power failure.	<ul style="list-style-type: none"> There is a protective time delay (up to 3 minutes) to prevent tripping of the compressor overload. For this reason, the unit may not start normal heating or cooling for 3 minutes after it is turned back on.
Zoneline does not cool or heat as it should	Indoor airflow is restricted.	<ul style="list-style-type: none"> Make sure there are no curtains, blinds or furniture blocking the air discharge grille or the return air grille.
	Outdoor airflow is restricted or recirculated.	<ul style="list-style-type: none"> Make sure the architectural louver is not restricted. This can cause the unit to cycle off due to the compressor overload. Outdoor grille must have a minimum of 65% free area. Non-GE grilles may be too restrictive for proper performance. Consult your salesperson for assistance.
	The air filter is dirty.	<ul style="list-style-type: none"> Change the filter at least every 30 days. See the <i>Care and Cleaning–Air Filters</i> section.
	The room may have been hot or cold.	<ul style="list-style-type: none"> When the Zoneline is first turned on you need to allow time for the room to cool down or warm up.
	Outdoor air is entering the room.	<ul style="list-style-type: none"> Set the vent control to the CLOSE position.
Burning odor at the start of heating operation	Dust is on the surface of the heating element.	<ul style="list-style-type: none"> This can cause a “burning” odor at the beginning of the heating operation. This odor should quickly fade.
The air is not always cool or hot during operation	The heat pump is not producing hot air.	<ul style="list-style-type: none"> This is normal. The heat pump will produce warm air but not as hot as air produced when the higher-cost electric heat is used.
	The fan switch may be set at continuous fan.	<ul style="list-style-type: none"> This causes the fan to blow room temperature air even when the compressor or heater cycles off. The continuous air movement provides better overall temperature control.
The air does not feel warm enough during heating operation	The heat pump alone produces air that feels cooler than desired.	<ul style="list-style-type: none"> Use the Electric Heat Option. This turns off the heat pump and warms with electric heat only. NOTE: Use of this option will result in increased energy consumption.

Safety Instructions

Operating Instructions

Care and Cleaning

Troubleshooting Tips

Consumer Support

Things that are normal.

Normal Operating Sounds

PING!


You may hear a pinging noise caused by water being picked up and thrown against the condenser on rainy days or when the humidity is high. This design feature helps remove moisture and improve efficiency.

"CLICK"

You may hear relays click when the controls cycle on and off or are adjusted to change the room temperature.

DRIP


Water will collect in the base pan during high humidity or on rainy days. The water may overflow and drip from the outdoor side of the unit.

WHIR!


The indoor fan runs continuously when the unit is operating in the cooling mode, unless the fan switch behind the case front panel is set at fan cycle (up). This will cause the fan to cycle on and off with the compressor. You may also hear a fan noise stop and start.

**3-Minute
Delay**



You may notice a few minutes delay in starting if you try to restart the Zonline too soon after turning it off or if you adjust the thermostat right after the compressor has shut off. This is due to a built-in restart protector for the compressor that causes a 3-minute delay.

SILENCE

During the defrost cycle, both indoor and outdoor fans stop and the compressor will operate in the cooling mode to remove frost from the outdoor coil. After defrost, the unit will restart in electric heat to quickly warm the room to the desired comfort level.

**COMPRESSOR
PROTECTION**

To protect the compressor and prevent short cycling, the unit is designed to run for a minimum of 3 minutes after the compressor starts at any thermostat setting.

<i>Safety Instructions</i>	<i>Operating Instructions</i>	<i>Care and Cleaning</i>	<i>Troubleshooting Tips</i>	<i>Consumer Support</i>
----------------------------	-------------------------------	--------------------------	-----------------------------	-------------------------

<i>Consumer Support</i>	<i>Troubleshooting Tips</i>	<i>Care and Cleaning</i>	<i>Operating Instructions</i>	<i>Safety Instructions</i>
-------------------------	-----------------------------	--------------------------	-------------------------------	----------------------------

Notes.

Vertical Zoneline Warranty.



All warranty service provided by our Factory Service Centers, or an authorized Customer Care® technician. To schedule service, on-line, visit us at ge.com, or call 800.GE.CARES (800.432.2737). For service in Canada, contact Gordon Williams Corp. at 1.888.209.0999. Please have serial number and model number available when calling for service.

Staple your receipt here. Proof of the original purchase date is needed to obtain service under the warranty.

For The Period Of:	GE Will Replace:
One Year From the date of the original purchase	Any part of the Zoneline which fails due to a defect in materials or workmanship. During this limited one-year warranty , GE will also provide, free of charge , all labor and related service to replace the defective part.
Five Years From the date of the original purchase	Any part of the sealed refrigerating system (the compressor, condenser, evaporator and all connecting tubing) which fails due to a defect in materials or workmanship. During this four-year limited additional warranty , GE will also provide, free of charge , all labor and related service to replace the defective part.
Five Years From the date of the original purchase	For the second through the fifth year from the date of original purchase, GE will replace certain parts that fail due to a defect in materials or workmanship. Parts covered are fan motors, switches, thermostats, electric resistance heater, electric resistance heater protectors, compressor overload, solenoids, circuit boards, auxiliary controls, thermistors, frost controls, ICR pump, capacitors, varistors and indoor blower bearing. During this four-year limited additional warranty , you will be responsible for any labor or on-site service costs.

What GE Will Not Cover:

- Service trips to your site to teach you how to use the product.
- Improper installation, delivery or maintenance.
If you have an installation problem, or if the air conditioner is of improper cooling or heating capacity for the intended use, contact your dealer or installer. You are responsible for providing adequate electrical connecting facilities.
- In commercial locations, labor necessary to move the unit to a location where it is accessible for service by an individual technician.
- Failure or damage resulting from corrosion due to installation in an environment containing corrosive chemicals.
- Replacement of fuses or resetting of circuit breakers.
- Filters.
- Failure of the product resulting from modifications to the product or due to unreasonable use including failure to provide reasonable and necessary maintenance.
- Failure or damage resulting from corrosion due to installation in a coastal environment, except for models treated with special factory-applied anti-corrosion protection as designated in the model number.
- Damage to product caused by improper power supply voltage, accident, fire, floods or acts of God.
- Incidental or consequential damage caused by possible defects with this air conditioner.
- Damage caused after delivery.
- Product not accessible to provide required service.

EXCLUSION OF IMPLIED WARRANTIES—Your sole and exclusive remedy is product repair as provided in this Limited Warranty. Any implied warranties, including the implied warranties of merchantability or fitness for a particular purpose, are limited to one year or the shortest period allowed by law.

This warranty is extended to the original purchaser and any succeeding owner for products purchased for use within the USA and Canada. If the product is located in an area where service by a GE Authorized Servicer is not available, you may be responsible for a trip charge or you may be required to bring the product to an Authorized GE Service location for service. In Alaska, the warranty excludes the cost of shipping or service calls to your site.

Some states or provinces do not allow the exclusion or limitation of incidental or consequential damages. This warranty gives you specific legal rights, and you may also have other rights which vary from state to state or province to province. To know what your legal rights are, consult your local, state or provincial consumer affairs office or your state's Attorney General.

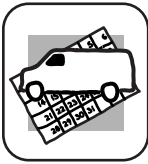
Consumer Support.



GE Appliances Website

ge.com

Have a question or need assistance with your appliance? Try the GE Appliances Website 24 hours a day, any day of the year! For greater convenience and faster service, you can now download Owner's Manuals, order parts or even schedule service on-line.



Schedule Service

ge.com

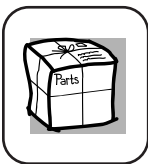
Expert GE repair service is only one step away from your door. Get on-line and schedule your service at your convenience any day of the year! Or call 800.GE.CARES (800.432.2737) during normal business hours. For service in Canada, contact Gordon Williams Corp. at 1.888.209.0999.



Real Life Design Studio

ge.com

GE supports the Universal Design concept—products, services and environments that can be used by people of all ages, sizes and capabilities. We recognize the need to design for a wide range of physical and mental abilities and impairments. For details of GE's Universal Design applications, including kitchen design ideas for people with disabilities, check out our Website today. For the hearing impaired, please call 800.TDD.GEAC (800.833.4322).



Parts and Accessories

ge.com

Individuals qualified to service their own appliances can have parts or accessories sent directly to their homes (VISA, MasterCard and Discover cards are accepted). Order on-line today, 24 hours every day or by phone at 800.626.2002 during normal business hours.

Instructions contained in this manual cover procedures to be performed by any user. Other servicing generally should be referred to qualified service personnel. Caution must be exercised, since improper servicing may cause unsafe operation.



Contact Us

ge.com

If you are not satisfied with the service you receive from GE, contact us on our Website with all the details including your phone number, or write to:

General Manager, Customer Relations
GE Appliances, Appliance Park
Louisville, KY 40225



Register Your Appliance

ge.com

Register your new appliance on-line—at your convenience! Timely product registration will allow for enhanced communication and prompt service under the terms of your warranty, should the need arise. You may also mail in the pre-printed registration card included in the packing material.



verticaux Zoneline^{MD} climatiseurs

Consignes de sécurité	2	
Directives de fonctionnement		
Commandes – Bornes de raccordement ..	6, 7	
Commandes – Commutateurs DIP	3-5	
Commande de ventilation	8	
Interrupteur de marche/arrêt	8	
Entretien et nettoyage		
Filtres à air	9	
Plateau	9	
Serpentins extérieurs	9	
Directives d'installation		
Alimentation électrique	11-13	
Installation du climatiseur Zoneline	14-21	
Préparation	10	
Réparation	22	
Dépannage		23
Bruits normaux de fonctionnement	24	
Service à la clientèle		
Garantie	27	
Service à la clientèle	Dernière page	

Manuel d'utilisation et directives d'installation

Modèles à climatisation
seulement,
à chauffage/climatisation
et thermopompe
Série 7500

Inscrivez ci-dessous les numéros
de modèle et de série :

N° de modèle _____

N° de série _____

Ils se trouvent sur une étiquette sur le panneau
avant de l'appareil.

CONSIGNES DE SÉCURITÉ IMPORTANTES. VEUILLEZ LIRE TOUTES LES CONSIGNES AVANT D'UTILISER L'APPAREIL.

⚠️ AVERTISSEMENT!

Pour votre sécurité, veuillez observer les consignes données dans le présent manuel afin de réduire au minimum les risques d'incendie, de choc électrique, de dommages matériels ou de blessures graves ou mortelles.



CONSIGNES DE SÉCURITÉ

- Avant d'être utilisé, cet appareil Zoneline doit être correctement installé, en conformité avec les Directives d'installation. Reportez-vous aux Directives d'installation à la fin du présent manuel.
- Remplacez immédiatement tout cordon d'alimentation effiloché ou endommagé. Si le cordon d'alimentation est endommagé, il ne faut pas le réparer mais plutôt le remplacer par un neuf acheté auprès du fabricant. N'utilisez pas un cordon d'alimentation présentant des fissures ou des marques d'abrasion ou dont l'une de ses extrémités est endommagée.
- Le produit doit être utilisé avec la fiche électrique fournie avec l'appareil. Ne remplacez pas la fiche électrique fournie avec le produit.
- Si la prise de courant ne convient pas à la fiche électrique, il faut faire remplacer cette prise par un électricien qualifié.
- Avant d'effectuer une réparation, débranchez l'appareil ou coupez l'alimentation électrique en enlevant le fusible ou en déclenchant le disjoncteur.

REMARQUE : Nous recommandons fortement de confier toute réparation à un technicien qualifié.

- Tous les climatiseurs contiennent des frigorigènes qui, en vertu de la loi fédérale, doivent être retirés avant de jeter les appareils. Si vous vous débarrassez d'un ancien produit qui contient des frigorigènes, informez-vous auprès d'une entreprise spécialisée dans l'élimination des frigorigènes pour savoir quoi faire.



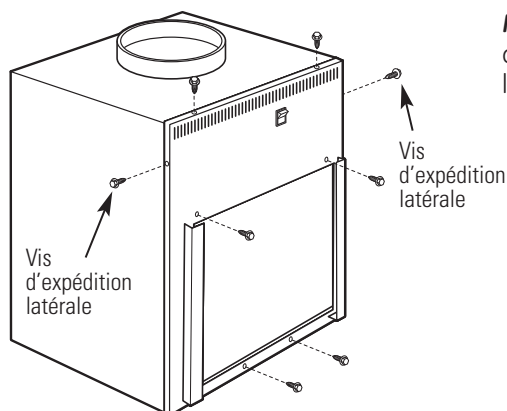
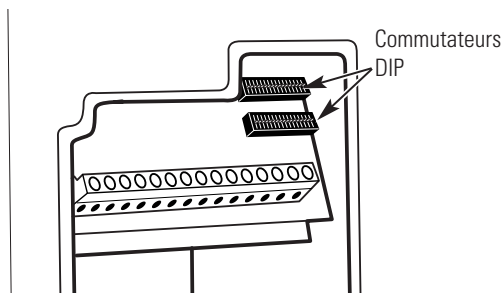
VEUILLEZ LIRE ET SUIVRE À LA LETTRE CES CONSIGNES DE SÉCURITÉ.
CONSERVEZ CES DIRECTIVES

Commandes – Commutateurs DIP.

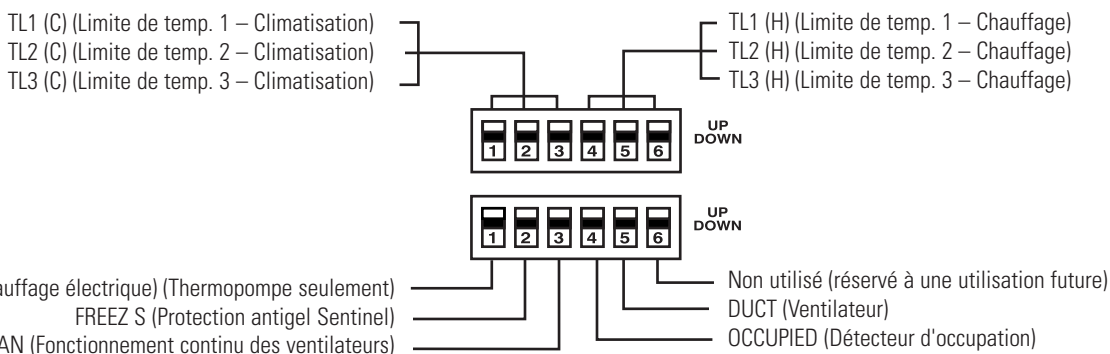
Commandes – Commutateurs DIP

Les commutateurs DIP se trouvent derrière le panneau avant et sont accessibles pour une ouverture à l'avant de l'appareil.

Pour y accéder, enlevez le panneau avant en retirant le filtre, en enlevant les quatre vis à l'avant, les deux vis sur le dessus du panneau et les vis d'expédition de chaque côté (s'il y a lieu). (Si l'appareil est pourvu de deux vis d'expédition sur le côté, vous pouvez les jeter.)

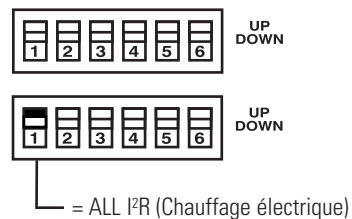


REMARQUE : Le propriétaire a la responsabilité de régler les commutateurs DIP et de raccorder les bornes de la façon appropriée.



Chauffage électrique (thermopompe seulement)

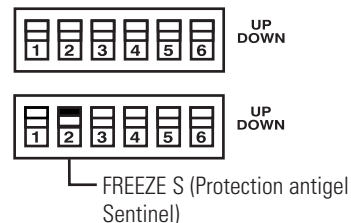
Lorsque ce commutateur est réglé au niveau **haut (UP)**, le fonctionnement de la thermopompe est bloqué, le chauffage étant assuré uniquement par l'élément chauffant.



Commandes – Commutateurs DIP.

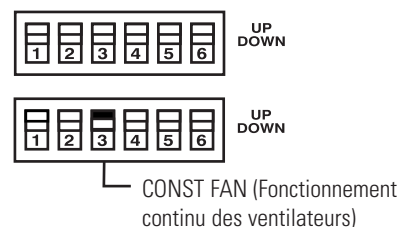
Protection antigel Sentinel (exige l'ensemble de capteur RAVRMS)

Lorsque ce commutateur est réglé au niveau **haut (UP)**, la protection antigel est DÉSACTIVÉE. Lorsque ce commutateur est au niveau **bas (DOWN)**, la fonction antigel est activée, de sorte que l'appareil diffuse automatiquement de la chaleur sans aucune intervention de l'utilisateur. Cette fonction empêche tout dommage à la plomberie en mettant en marche l'élément chauffant et les ventilateurs à 5,0 °C (41 °F) et en les éteignant à 7,7 °C (46 °F).



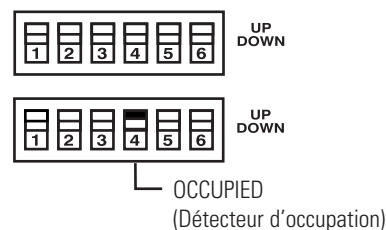
Fonctionnement continu des ventilateurs

Lorsque ce commutateur est au niveau **haut (UP)**, le ventilateur fonction continuellement.



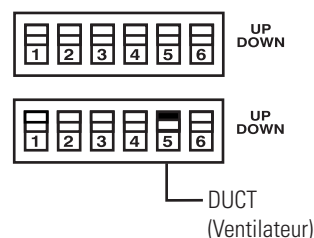
Détecteur d'occupation

Lorsque ce commutateur est au niveau **haut (UP)**, il permet à l'appareil d'utiliser un détecteur de mouvement à infrarouge et un détecteur d'ouverture de porte pour détecter la présence d'occupants. Cette fonction permet d'installer et de faire fonctionner un système de gestion de l'énergie conjointement avec l'appareil.



Conduit

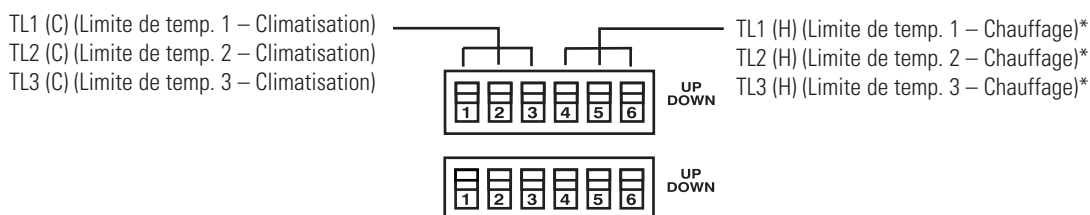
Cette fonction permet au ventilateur intérieur de fonctionner à deux vitesses variables. Lorsque ce commutateur est au niveau **haut (UP)**, l'appareil règle automatiquement la vitesse moyenne ou élevée du ventilateur (dans le cas des applications où le conduit est plus long). Lorsque le commutateur est au niveau bas, l'appareil fonctionne automatiquement à vitesse moyenne ou faible (pour les applications où le conduit est plus court).



Limitation de la température *(Exige l'ensemble de capteur RAVRMS)*

La limitation de la température peut réduire les coûts de l'énergie en limitant la température minimum que vous pouvez régler pour la climatisation, ainsi que la température maximum que vous pouvez régler pour le chauffage. La limitation de la température est réglée

par les commutateurs 1 à 6 du bloc supérieur de commandes auxiliaires. Les trois premiers commutateurs permettent de sélectionner les limites de climatisation, tandis que les trois suivants sont utilisés pour régler les limites de chauffage.



Limitation de la température au mode CLIMATISATION (températures en °C/°F)			
HAUT (UP)	BAS (DOWN)	Minimum	Maximum
AUCUN	1, 2, 3	15,5/60	29,4/85
1	2, 3	17,7 /64	29,4/85
1, 2	3	18,8/66	29,4/85
2	1, 3	20,0/68	29,4/85
2,3	1	21,1/70	29,4/85
1, 2, 3	AUCUN	22,2/72	29,4/85
1, 3	2	23,3/74	29,4/85
3	1, 2	24,4/76	29,4/85

Limitation de la température au mode CHAUFFAGE (températures en °C/°F)			
HAUT (UP)	BAS (DOWN)	Minimum	Maximum
AUCUN	4, 5, 6	15,5/60	29,4/85
4	5, 6	15,5/60	26,6/80
4, 5	6	15,5/60	25,5/78
5	4, 6	15,5/60	24,4/76
5,6	4	15,5/60	23,3/74
4, 5, 6	AUCUN	15,5/60	22,2/72
4, 6	5	15,5/60	21,1/70
6	4, 5	15,5/60	18,3/65

*Ne s'applique pas aux modèles à climatisation seulement.

Commandes – Bornes de raccordement.

Commandes – Bornes de raccordement

Les bornes de raccordement se trouvent derrière le panneau avant et sont accessibles pour une ouverture à l'avant de l'appareil.

Pour y accéder, enlevez le panneau avant en retirant le filtre, en enlevant les quatre vis à l'avant, les deux vis sur le dessus du panneau et les vis d'expédition de chaque côté (s'il y a lieu). (Si l'appareil est pourvu de deux vis d'expédition sur le côté, vous pouvez les jeter.)

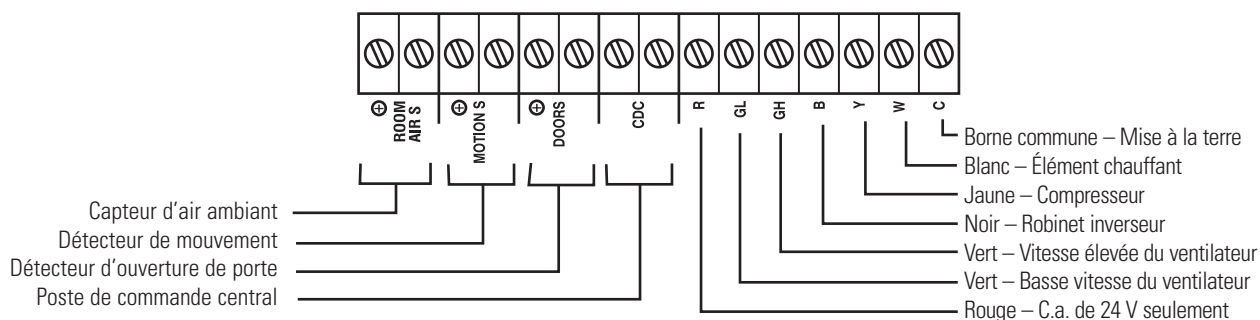
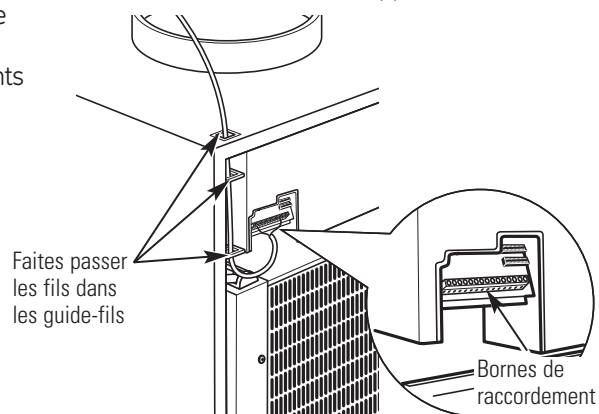
Acheminez les fils de raccordement de l'immeuble à la partie inférieure des bornes et serrez fermement les vis pour effectuer les raccordements désirés.

Faites passer les fils des bornes de raccordement dans les guide-fils de l'appareil, puis dans le guide-fils du boîtier.

REMARQUE : Le propriétaire a la responsabilité de régler les commutateurs DIP et de raccorder les bornes de la façon appropriée.

ATTENTION :

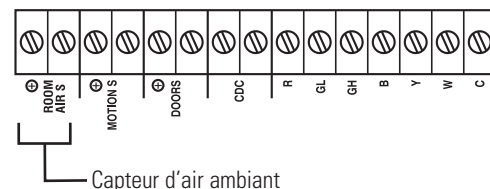
Un raccordement incorrect des fils aux bornes CDC (poste de commande central) pourrait endommager les composants électroniques de l'appareil ou provoquer un mauvais fonctionnement de ce dernier. Il est interdit d'utiliser une barre omnibus. Il faut acheminer deux fils distincts à partir de chaque interrupteur de commande vers chacun des appareils Zoneline.



Capteur d'air ambiant (exige l'ensemble de capteur RAVRMS)

Lorsqu'il est raccordé, le capteur d'air ambiant permet l'utilisation des fonctions de limitation de la température et de protection antigel Sentinel.

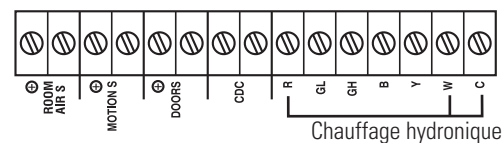
REMARQUE : Si le thermostat GE RAK148D1, RAK148P1 ou RAK164D1, RAK164P1 est installé sur l'appareil, il n'est pas nécessaire d'utiliser l'ensemble de capteur d'air ambiant pour le fonction de limitation de la température puisque ce fonction est intégré à ce thermostat.



Chauffage hydronique (exige l'ensemble de chauffage hydronique – RAVHW1, RAVHW2 ou RAVHW3)

Raccordements pour l'ensemble de chauffage hydronique.

REMARQUE : Les bornes R, W et C doivent également être raccordées au thermostat, s'il y a lieu.

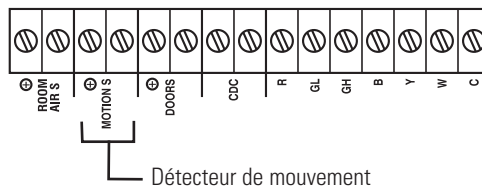


Détecteur de mouvement (acheté localement)

Pour pouvoir utiliser cette fonction, le commutateur DIP du détecteur d'occupation doit être au niveau **haut (UP)**.

Lorsqu'il est raccordé, le détecteur de mouvement mural détecte tout mouvement dans la pièce et fait automatiquement fonctionner l'appareil d'une manière cyclique entre le mode de fonctionnement normal et le mode de gestion de l'énergie.

Le détecteur de mouvement et le détecteur d'ouverture de porte travaillent ensemble pour faire fonctionner automatiquement de façon cyclique l'appareil entre le mode de fonctionnement normal et le mode de gestion de l'énergie.

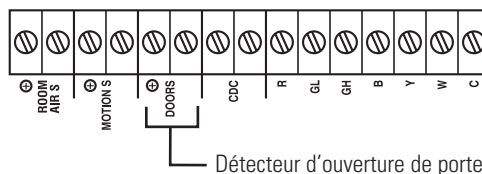


Détecteur d'ouverture de porte (acheté localement)

Pour pouvoir utiliser cette fonction, le commutateur DIP du détecteur d'occupation doit être au niveau **haut (UP)**.

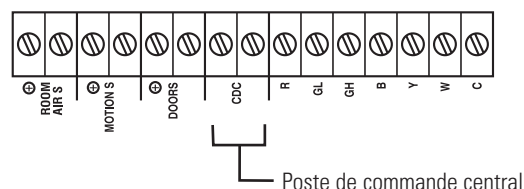
Lorsqu'il est raccordé, le détecteur d'ouverture de porte détecte l'ouverture ou la fermeture de la porte de la pièce. Cette fonction exige l'utilisation du détecteur de mouvement.

Le détecteur de mouvement et le détecteur d'ouverture de porte travaillent ensemble pour faire fonctionner automatiquement de façon cyclique l'appareil entre le mode de fonctionnement normal et le mode de gestion de l'énergie.



Poste de commande central

Lorsque cette fonction est raccordée, l'appareil est déverrouillé et peut être MIS EN MARCHE ou ARRÊTÉ au moyen d'un interrupteur du poste de commande central. Il faut acheminer deux fils distincts à partir de chaque interrupteur de commande vers chacun des appareils Zoneline.



Thermostat mural

L'appareil est commandé par un thermostat mural.

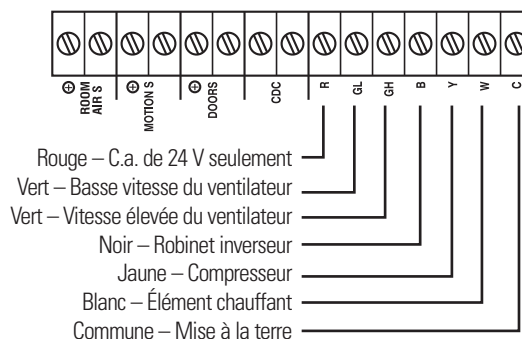
IMPORTANT :

L'appareil Zoneline permet de raccorder uniquement un thermostat alimenté par un courant alternatif de 24 V seulement.

Si vous utilisez un thermostat mural électronique/numérique, vous devez le régler en vue d'une alimentation en c.a. de 24 V. Reportez-vous aux directives d'installation du thermostat mural.

ATTENTION :

Un raccordement inadéquat pourrait endommager le thermostat mural ou les composants électroniques de l'appareil. Faites surtout attention lorsque vous branchez les fils bleu et noir. Il ne faut brancher aucun fil de tension de secteur à un circuit quelconque du thermostat. Isolez tous les fils de l'immeuble de la tension de secteur.



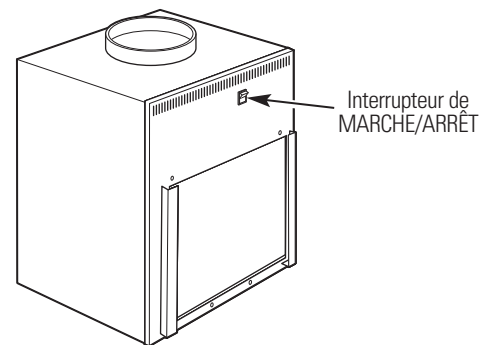
Autres caractéristiques de votre appareil Zonline.

Interrupteur de marche/arrêt

L'interrupteur de marche/arrêt de l'appareil se trouve à l'avant de l'appareil Zonline.

Pour mettre l'appareil en marche, appuyez sur la partie supérieure de l'interrupteur.

Pour arrêter l'appareil, appuyez sur la partie inférieure de l'interrupteur.



Commande de ventilation

Le levier de la commande de ventilation est situé du côté gauche de l'appareil Zonline, derrière le panneau avant.

Pour y accéder, enlevez le panneau avant en retirant le filtre, en enlevant les quatre vis à l'avant, les deux vis sur le dessus du panneau et les vis d'expédition de chaque côté (s'il y a lieu). (Si l'appareil est pourvu de deux vis d'expédition sur le côté, vous pouvez les jeter.)

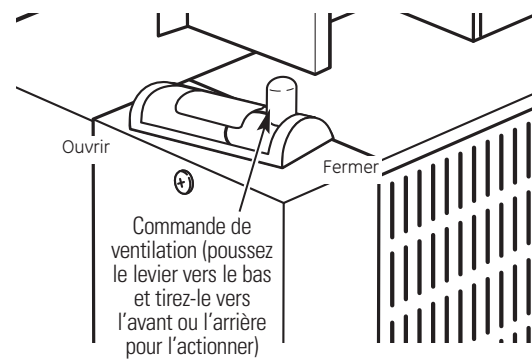
Lorsque le levier est à la position **FERMÉE**, l'air à l'intérieur de la pièce est recyclé et filtré.

Lorsque le levier est à la position **OUVERTE**, de l'air provenant de l'extérieur est aspiré dans la pièce. Ce réglage atténue l'efficacité du chauffage ou de la climatisation.

Pour fermer l'évent, poussez sur la poignée du levier vers le bas, tirez-la vers l'avant, puis relevez-la pour la bloquer en place.

Pour ouvrir l'évent, poussez sur la poignée du levier vers le bas, poussez-la vers l'arrière, puis relevez-la pour la bloquer en place.

Conseil pour économiser l'énergie : Laissez la commande de ventilation à la position **FERMÉE**. L'air de la pièce est ainsi filtré et recyclé.



À propos des thermopompes (sur certains modèles)

La thermopompe peut abaisser les frais de fonctionnement en effectuant un échange de chaleur entre l'air extérieur—même lorsque la température à l'extérieur est inférieure au point de congélation—puis en libérant cette chaleur à l'intérieur.

Pour tirer le maximum de votre thermopompe sur le plan économique, ne modifiez pas très souvent le réglage du thermostat mural. Lorsque vous augmentez le réglage de 2 ou 3 degrés pour le chauffage, l'appareil Zonline utilise ses éléments chauffants électriques pour atteindre rapidement la nouvelle température réglée.

Peu importe le réglage effectué, le compresseur fonctionne pendant une période minimum de 3 minutes afin d'éviter les cycles courts.

Le moteur du ventilateur intérieur se met en marche avant le compresseur et s'arrête après le fonctionnement cyclique du compresseur.

Les éléments chauffants électriques consomment plus d'électricité que la thermopompe et leur coût de fonctionnement est donc plus élevé.

Ne faites pas fonctionner les modèles à climatisation seulement lorsque la température à l'extérieur est sous le point de congélation

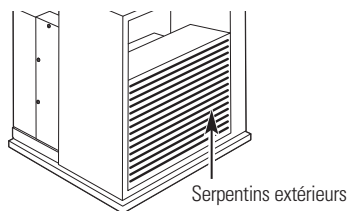
Les appareils à climatisation seulement ne sont pas conçus pour fonctionner lorsque la température à l'extérieur est sous le point de congélation. Ils ne doivent pas être utilisés dans de telles conditions.

Entretien et nettoyage.

Avant de le nettoyer, éteignez l'appareil Zonline et débranchez-le.

Serpentins intérieurs/extérieurs

Il faut vérifier régulièrement les serpentins de sortie de l'appareil Zonline. S'ils sont obstrués par de la poussière ou de la suie, ils peuvent être nettoyés à la vapeur de façon professionnelle par votre Centre de service après-vente GE. Pour ce faire, il vous faudra sortir l'appareil de son boîtier pour inspecter les serpentins car l'accumulation de saleté se produit du côté sortie.



Faites nettoyer régulièrement les serpentins.

Système d'écoulement

Nettoyez le système d'écoulement régulièrement pour éviter toute obstruction.

Plateau

Dans certaines installations, de la saleté ou d'autres débris peuvent s'infiltrer dans l'appareil en provenance de l'extérieur et se déposer dans le plateau (le fond de l'appareil).

Dans certaines régions des États-Unis, une substance ressemblant à de la «gelée» peut se former dans le plateau.

Nettoyez le plateau régulièrement et nettoyez-le au besoin.

Filtres à air

Pour maintenir un rendement optimum, remplacez le filtre au moins tous les 30 jours.

Pour maintenir l'appareil Zonline en bon état de fonctionnement, le plus important est de remplacer le filtre au moins tous les 30 jours. Un filtre sale réduit la capacité de climatisation et de chauffage et diminue la circulation de l'air.

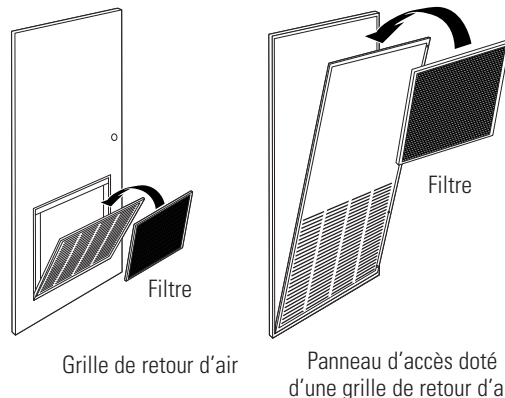
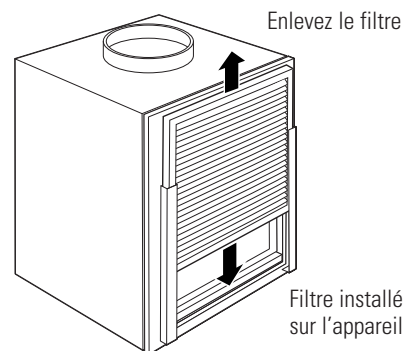
En remplaçant le filtre, vous diminuerez les frais de fonctionnement, économiserez de l'énergie, empêcherez l'obstruction des serpentins de l'échangeur de chaleur et réduirez les risques de défaillance prématurée des composants.

ATTENTION : Ne faites pas fonctionner l'appareil Zonline sans le filtre. Si le filtre est déchiré ou endommagé, il faut le remplacer immédiatement.

Lorsque l'appareil fonctionne sans le filtre ou avec un filtre endommagé, cela permet à la saleté et à la poussière d'atteindre les serpentins intérieurs, ce qui réduit la capacité de climatisation et de chauffage, et diminue la circulation de l'air et l'efficacité de l'appareil. Procurez-vous des filtres de rechange auprès de votre détaillant local d'accessoires pour climatiseurs et systèmes de chauffage.

Le filtre mesure 50,8 cm x 50,8 cm x 2,5 cm (20 po x 20 po x 1 po).

Pour enlever et remplacer le filtre :



Directives d'installation

Climatiseurs Zoneline

Des questions? Communiquez avec la firme Gordon Williams Corp. au 1.888.209.0999.

AVANT DE COMMENCER

Veillez lire attentivement toutes les directives qui suivent.

- **IMPORTANT** – Conservez les présentes directives pour l'inspecteur local.
- **IMPORTANT** – Observez tous les codes et ordonnances en vigueur.
- **Note à l'installateur** – Veuillez laisser les présentes directives au propriétaire.
- **Note au propriétaire** – Veuillez conserver les présentes directives pour consultation ultérieure.
- L'installateur est responsable de la qualité de l'installation.
- Toute défaillance du produit attribuable à une installation inadéquate n'est pas couverte par la garantie.
- Lors de l'installation de ce climatiseur, vous **DEVEZ** utiliser toutes les pièces fournies et suivre les procédures d'installation appropriées, comme expliqué dans les présentes directives.

OUTILS NÉCESSAIRES



Tournevis Phillips



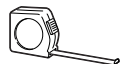
Clé à molette



Scie



Marteau



Ruban à mesurer

⚠ AVERTISSEMENT : Avant d'entreprendre l'installation, coupez l'alimentation électrique au panneau de distribution électrique et bloquez le secteur afin d'empêcher le rétablissement accidentel du courant. Lorsqu'il n'est pas possible de bloquer le secteur, installez bien en vue un dispositif d'avertissement, par exemple une étiquette, sur le panneau de distribution électrique.

CONSIGNES DE SÉCURITÉ IMPORTANTES EN ÉLECTRICITÉ – VEUILLEZ LIRE ATTENTIVEMENT

⚠ ATTENTION :

- Le câblage et tous les raccordements électriques **DOIVENT** être effectués par un électricien qualifié.
- Veuillez observer le code national d'électricité et/ou les ordonnances et codes locaux.
- Pour votre sécurité, le boîtier et l'appareil Zoneline doivent être correctement mis à la terre.
- Les dispositifs de protection acceptables (fusibles ou disjoncteurs) pour l'installation d'un appareil Zoneline sont indiqués sur la plaque signalétique de chaque appareil.
- N'utilisez pas de rallonge électrique avec cet appareil.
- Le câblage en aluminium de l'immeuble peut présenter des problèmes particuliers—consultez un électricien qualifié.
- Lorsque l'appareil ne fonctionne pas, les commandes électriques demeurent quand même sous tension.
- Avant de réparer l'appareil, coupez l'alimentation électrique en :
 1. débranchant le cordon d'alimentation (si l'appareil en possède un) de la prise de courant murale,

OU

 2. enlevez le fusible ou déclenchez le disjoncteur qui protège le circuit au panneau de distribution électrique.

Directives d'installation

ALIMENTATION ÉLECTRIQUE

- Utilisez UNIQUEMENT la grosseur de fil recommandée pour un circuit de dérivation simple.
- Le propriétaire a la responsabilité d'assurer une protection adéquate du courant.

Grosseur de fil recommandée pour un circuit de dérivation*

Capacité maximale du disjoncteur indiquée sur la plaque signalétique	Grosseur de fil AWG**
15A	14
20A	12
30A	10

AWG - American Wire Gauge

* Disjoncteur simple du panneau de distribution principal

** Établie à partir d'un conducteur isolé simple en cuivre à 60 °C

REMARQUE : N'utilisez que des conducteurs en cuivre seulement.

ALIMENTATION ÉLECTRIQUE DE 230/208 VOLTS

Il faut utiliser une trousse d'alimentation électrique pour assurer l'alimentation électrique de l'appareil Zoneline. Pour déterminer la trousse appropriée, il faut connaître la tension, le moyen utilisé pour le raccordement électrique et l'intensité de courant du circuit de dérivation. Pour choisir l'ensemble approprié, reportez-vous au TABLEAU DE RACCORDEMENT ÉLECTRIQUE à la page 13.



Ensemble d'alimentation électrique

L'installation et le câblage de la prise de courant doivent être effectués en conformité avec le code national d'électricité, ainsi qu'avec les codes, ordonnances et règlements locaux en vigueur.



Broches en tandem
15 Amp



Broches perpendiculaires
20 Amp

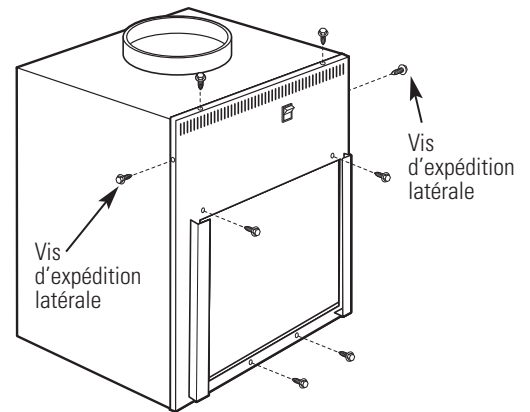


Broches larges en tandem
30 Amp

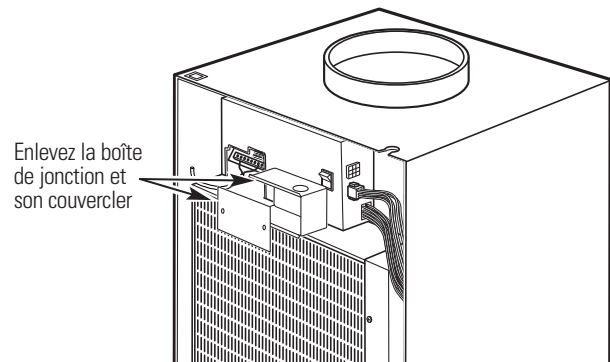
Configuration de la prise de courant de 230/208 volts

POUR LE RACCORDEMENT D'UN CORDON D'ALIMENTATION DE 230/208 VOLTS SEULEMENT

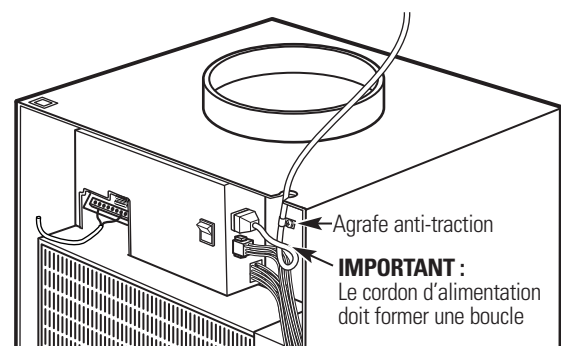
1. Enlevez le panneau avant en retirant le filtre, en enlevant les quatre vis à l'avant, les deux vis sur le dessus du panneau et les vis d'expédition de chaque côté (s'il y a lieu). (Si l'appareil est pourvu de deux vis d'expédition sur le côté, vous pouvez les jeter.)



2. Enlevez et jetez le capot de la boîte de jonction, ainsi que la boîte de jonction.



3. Faites passer le cordon d'alimentation dans l'agrafe anti-traction, disposez le cordon en forme de boucle et branchez-le.



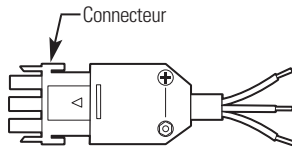
IMPORTANT :
Le cordon d'alimentation doit former une boucle

Directives d'installation

BRANCHEMENT DIRECT

POUR LE BRANCHEMENT DIRECT DE 230/208 VOLTS SEULEMENT

Pour effectuer le branchement direct aux fils du circuit de dérivation à l'intérieur de la boîte de jonction fournie, il faut suivre les trois étapes ci-dessous.



POUR LE BRANCHEMENT DIRECT DE 265 VOLTS SEULEMENT

IMPORTANT : Le branchement à un circuit de dérivation d'un produit alimenté par un courant alternatif de 265 V **DOIT** être effectué par raccordement direct, en conformité avec le code national d'électricité. En vertu de ce code, il est interdit de brancher cet appareil dans une prise de courant exposée d'un immeuble.

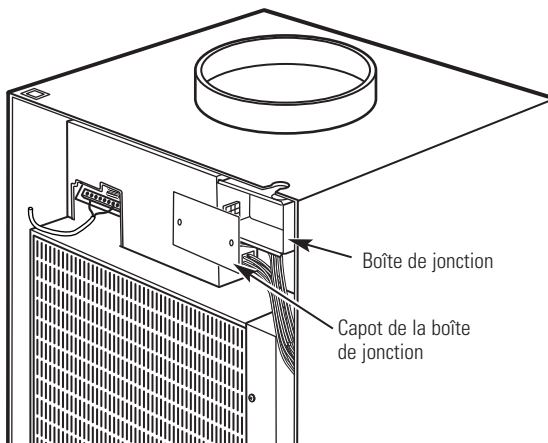
Ces modèles doivent être installés en utilisant l'ensemble d'alimentation électrique GE approprié convenant à l'intensité de courant du circuit de dérivation et à la résistance de l'élément chauffant électrique. Pour choisir l'ensemble approprié, reportez-vous au TABLEAU DE RACCORDEMENT ÉLECTRIQUE à la page 13.

L'installateur a la responsabilité de s'assurer que le raccordement des composants est conforme à tous les codes d'électricité.

Pour effectuer le branchement direct aux fils du circuit de dérivation à l'intérieur de la boîte de jonction fournie, il faut suivre les trois étapes ci-dessous.

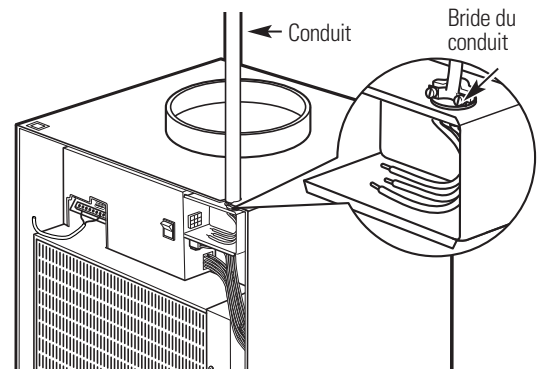
1 ENLÈVEMENT DU CAPOT DE LA BOÎTE DE JONCTION

- Enlevez le capot de la boîte de jonction en retirant les deux vis à l'avant.



2 INSTALLATION DU CONDUIT

- Utilisez l'orifice rond sur le dessus de la boîte de jonction pour installer le conduit provenant du circuit de dérivation. Insérez le conduit dans la bride du conduit et fixez-le en place, puis acheminez les fils dans la boîte de jonction. Laissez dépasser de 20 cm (8 po) les fils à l'extrémité du conduit.



Directives d'installation

BRANCHEMENT DIRECT

3 RACCORDEMENT DES FILS À L'INTÉRIEUR DE LA BOÎTE DE JONCTION

- Effectuez le raccordement de tous les fils en utilisant les techniques et les connecteurs électriques appropriés homologués UL.
- Choisissez la méthode de raccordement en fonction du type de câblage et suivez les directives données.
 - C.a. monophasé de 220-240 V**
 Pour le raccordement de l'appareil Zonline à un circuit monophasé de 230 V :
 Raccordez les fils blanc et noir de l'ensemble d'alimentation électrique de l'appareil Zonline aux fils L1 et L2 du circuit de dérivation. (L'installateur doit identifier le fil blanc de l'ensemble d'alimentation électrique à l'aide de ruban gommé de n'importe quelle couleur, sauf vert ou blanc.) Raccordez le fil vert de l'ensemble d'alimentation électrique à la borne de mise à la terre du circuit de dérivation et de l'alimentation électrique.
 - C.a. triphasé de 208 V**
 Pour le raccordement de l'appareil Zonline à un circuit triphasé de 208 V :
 Raccordez les fils blanc et noir de l'ensemble d'alimentation électrique de l'appareil Zonline aux fils L1 et L2 du circuit de dérivation. (L'installateur doit identifier le fil blanc de l'ensemble d'alimentation électrique à l'aide de ruban gommé de n'importe quelle couleur, sauf vert ou blanc.) Raccordez le fil vert de l'ensemble d'alimentation électrique à la borne de mise à la terre du circuit de dérivation et de l'alimentation électrique.
 - C.a. triphasé de 208 V avec branche sous tension**
 Pour le raccordement de l'appareil Zonline à un circuit triphasé de 208 V avec branche sous tension :
 Raccordez les fils blanc et noir de l'ensemble d'alimentation électrique de l'appareil Zonline aux fils neutre et L1 du circuit de dérivation. (Le fil blanc de l'ensemble d'alimentation électrique doit être raccordé au fil neutre.) Raccordez le fil vert de l'ensemble d'alimentation électrique à la borne de mise à la terre du circuit de dérivation et de l'alimentation électrique.
 - C.a. triphasé de 253-277 V**
 Pour le raccordement de l'appareil Zonline à un circuit triphasé de 265 V :
 Raccordez les fils blanc et noir de l'ensemble d'alimentation électrique de l'appareil Zonline aux fils neutre et L1 du circuit de dérivation. (Le fil blanc de l'ensemble d'alimentation électrique doit être raccordé au fil neutre.) Raccordez le fil vert de l'ensemble d'alimentation électrique à la borne de mise à la terre du circuit de dérivation et de l'alimentation électrique.
- Assurez-vous que tous les fils sont à l'intérieur de la boîte de jonction, et non pas pincés entre la boîte et l'appareil. Le fil de mise à la terre isolé vert de l'appareil Zonline **DOIT** être raccordé au fil de mise à la terre du circuit de dérivation.
- Branchez le connecteur à 9 broches dans la prise correspondante à l'intérieur de la boîte de jonction.
- Remettez en place le capot de la boîte de jonction à l'aide des deux vis enlevées précédemment.

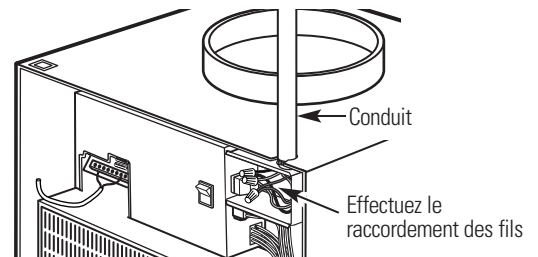


TABLEAU DE RACCORDEMENT ÉLECTRIQUE

Raccordement du cordon d'alimentation

Ensembles d'alimentation électrique de 230/208 volts	Configuration de la fiche	Dispositif de protection du circuit	Puissance de l'élément à 230/208 volts
RAK3152	Broches en tandem	Fusible temporisé ou disjoncteur de 15 ampères	2,55/2,09 kW
RAK3202	Broches perpendiculaires	Fusible temporisé ou disjoncteur de 20 ampères	3,45/2,82 kW
RAK3302	Broches larges en tandem	Fusible temporisé ou disjoncteur de 30 ampères	5,00/4,10 kW

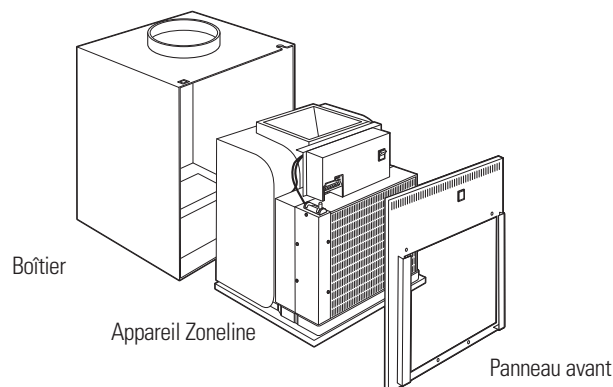
Branchement direct

Ensembles d'alimentation électrique de 230/208 volts	Puissance de l'élément à 230/208 volts	Dispositif de protection du circuit
RAK4157	2,55/2,09 kW	Fusible temporisé ou disjoncteur de 15 ampères
RAK4207	3,45/2,82 kW	Fusible temporisé ou disjoncteur de 20 ampères
RAK4307	5,00/4,10 kW	Fusible temporisé ou disjoncteur de 30 ampères

Ensembles d'alimentation électrique de 265 volts	Puissance de l'élément à 265 volts	Dispositif de protection du circuit
RAK5157	2,55 kW	Fusible temporisé ou disjoncteur de 15 ampères
RAK5207	3,45 kW	Fusible temporisé ou disjoncteur de 20 ampères
RAK5307	5,00 kW	Fusible temporisé ou disjoncteur de 30 ampères

Directives d'installation

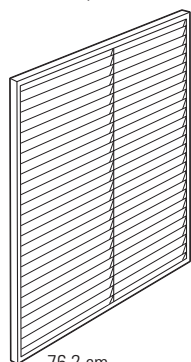
PIÈCES DE L'APPAREIL ZONELINE



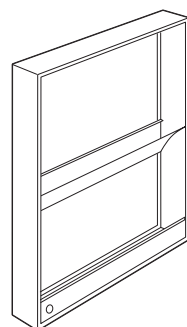
ACCESSOIRES NÉCESSAIRES

(Vérifiez l'étiquette «Essential Elements» (Éléments essentiels) sur l'appareil).

Dimensions de l'ouverture :
50,8 cm L x 81,9 cm H
(20 po x 32¼ po)

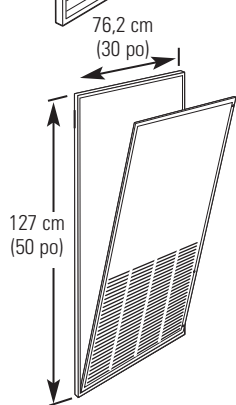


Panneau à volets décoratif RAVAL 1



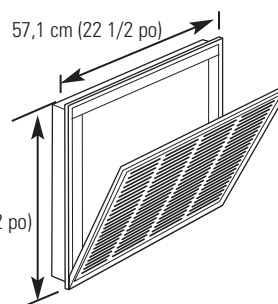
Gaine murale

- RAVWP6 – 15,2 cm P x 50,1 cm L x 81,2 cm (6 po x 19¾ po x 32 po)
- RAVWP8 – 20,3 cm P x 50,1 cm L x 81,2 cm (8 po x 19¾ po x 32 po)
- RAVWP12 – 30,5 cm P x 50,1 cm L x 81,2 cm (12 po x 19¾ po x 32 po)
- RAVWP15 – 38,1 cm P x 50,1 cm L x 81,2 cm (15 po x 19¾ po x 32 po)



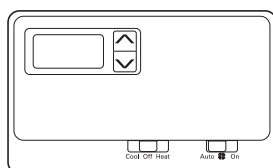
Dimensions de l'ouverture :
71,1 cm L x 121,9 cm H
(28 po x 48 po)

Panneau d'accès avec grille de retour d'air RAVRG1 **OU**



Dimensions de l'ouverture :
51,7 cm L x 51,7 cm H
(20½ po x 20½ po)

Grille de retour d'air RAVRG2



Thermostat mural

Modèle	Thermostat mécanique	Electronic Thermostat
Chauffage/climatisation	4 fils	5 fils
Thermopompe	6 fils	6 fils

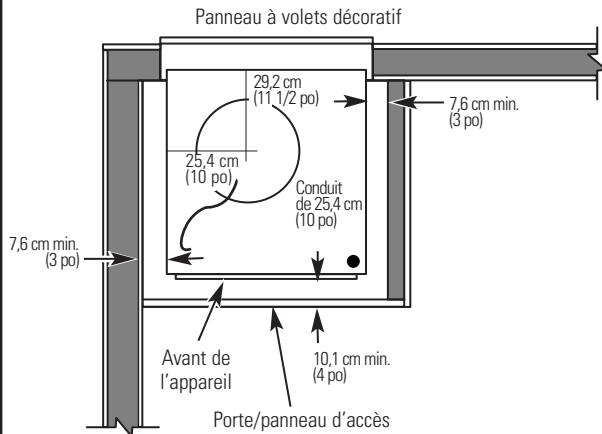
Pour connaître la méthode de câblage appropriée et les exigences relatives à l'installation, consultez les directives fournies avec le thermostat.

Directives d'installation

PLACARD DE SERVICE ET DIMENSIONS TYPES (À TITRE DE RÉFÉRENCE SEULEMENT)

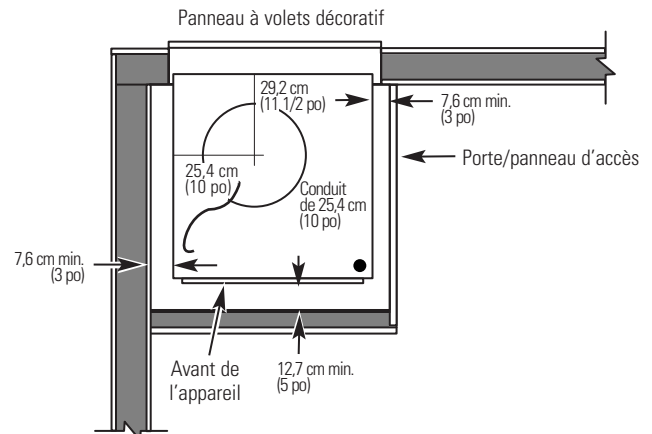
APPAREIL INSTALLÉ PAR L'AVANT DU BOÎTIER

Vue de dessus

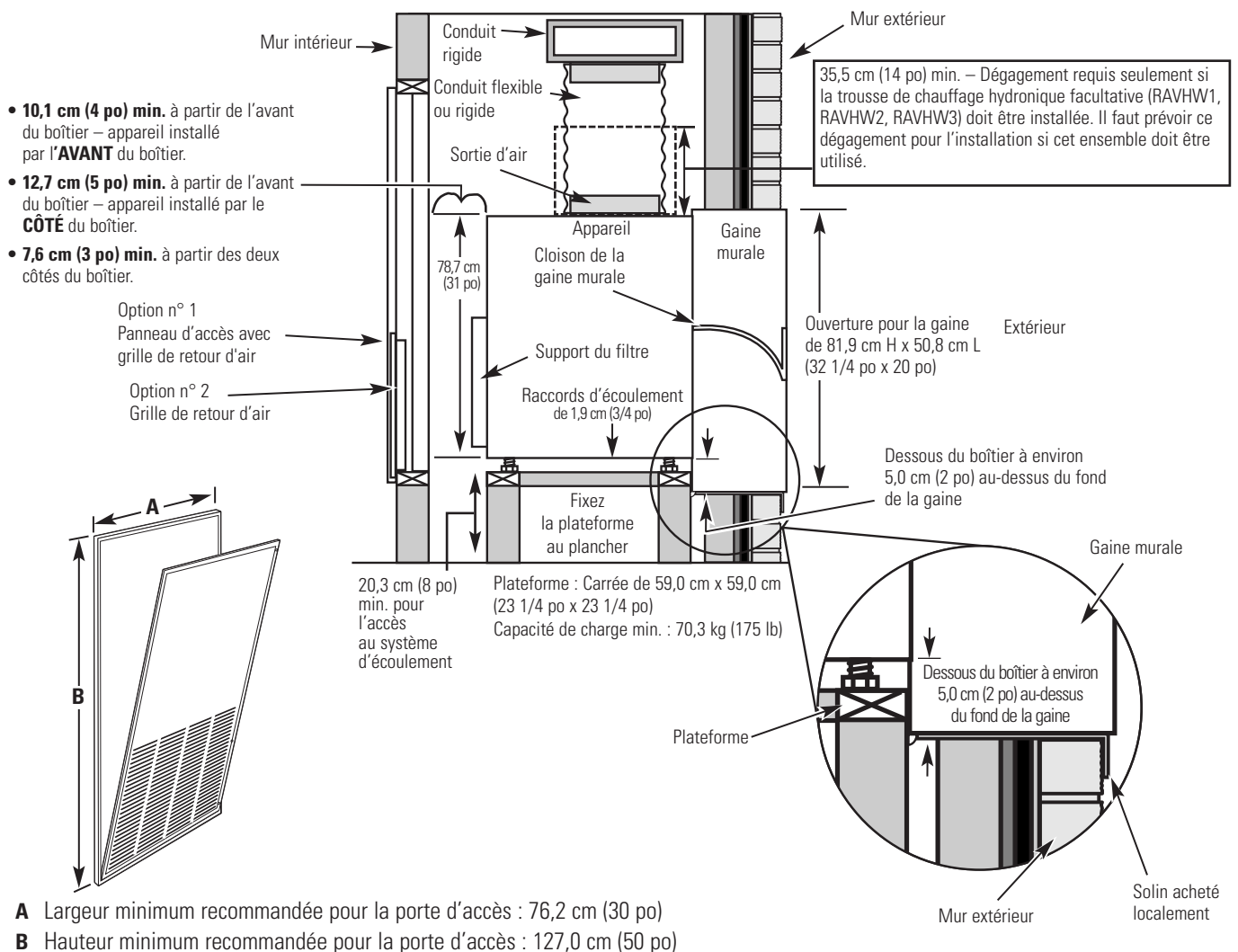


APPAREIL INSTALLÉ PAR LE CÔTÉ DU BOÎTIER

Vue de dessus



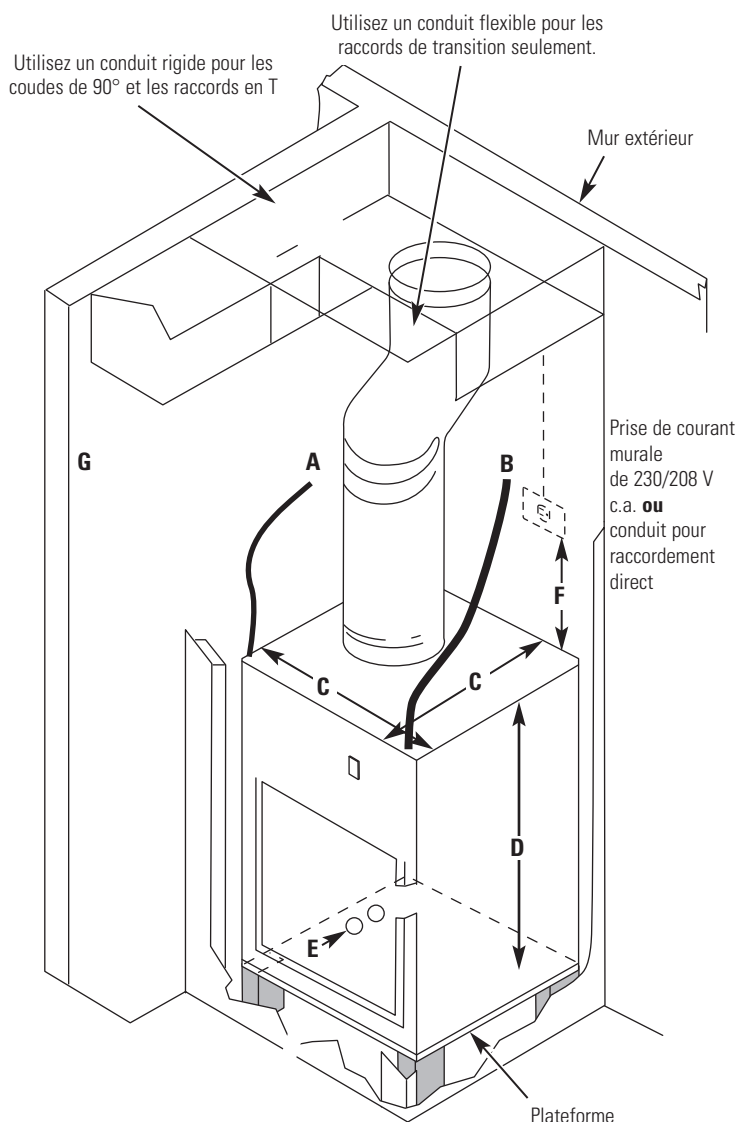
Vue de côté



Directives d'installation

RACCORDEMENTS DANS UN PLACARD DE SERVICE

IMPORTANT : Planifiez et localisez soigneusement la gaine murale, la prise de courant, les conduites d'écoulement et le thermostat afin d'éviter toute interférence. Les endroits difficiles d'accès compliqueront l'installation et la réparation!



Dimensions de référence

- A Câble du thermostat : 24,1 cm (9½ po) de long
- B Cordon d'alimentation : 152,4 cm (60 po) de long
- C Largeur et profondeur du boîtier : 58,7 cm (23⅜ po)
- D Hauteur du boîtier : 78,7 cm (31 po)
- E Écoulement du condensat : raccord de 1,9 cm (¾ po)
 - Raccord d'écoulement principal – la ligne centrale de l'ouverture se trouve à environ 13,3 cm (5¼ po) de la paroi gauche du boîtier et à 21,5 cm (8½ po) de la paroi arrière du boîtier.
 - Raccord d'écoulement secondaire – la ligne centrale de l'ouverture se trouve à environ 16,5 cm (6½ po) de la paroi gauche du boîtier et à 13,3 cm (5¼ po) de la paroi arrière du boîtier.
- F Prise de courant murale : entre 15,2 et 30,4 cm (entre 6 et 12 po) au-dessus du boîtier
- G Ensemble de capteur d'air ambiant : 25,4 cm (10 po) de long

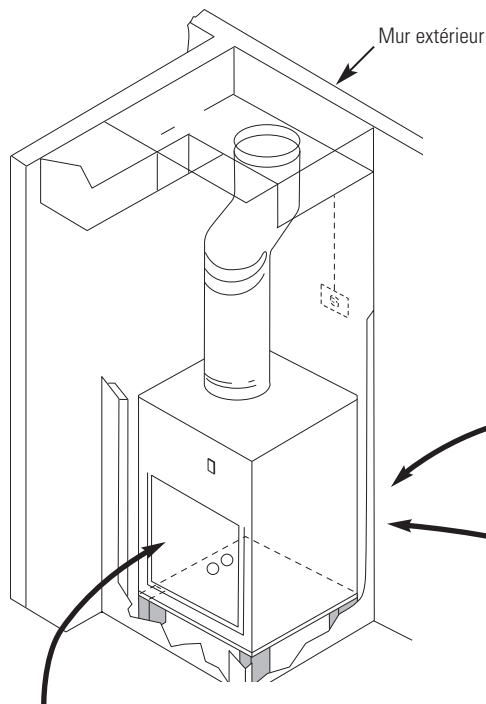
Directives d'installation

OPTIONS D'INSTALLATION DE LA GRILLE DE RETOUR D'AIR

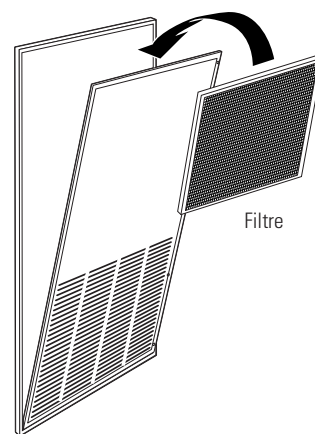
Il est possible d'installer la grille de retour d'air vers l'avant ou l'un des côtés de l'appareil. Une installation inadéquate de cette grille pourrait occasionner des problèmes de rendement de l'appareil.

Il existe trois options d'installation de la grille de retour d'air intérieure. Choisissez l'option qui convient le mieux à votre installation. Suivez les directives données avec la grille de retour d'air pour l'installation.

REMARQUE : N'utilisez qu'un seul filtre dans l'installation. Le filtre peut être installé sur l'appareil ou dans la porte ou le panneau d'accès.

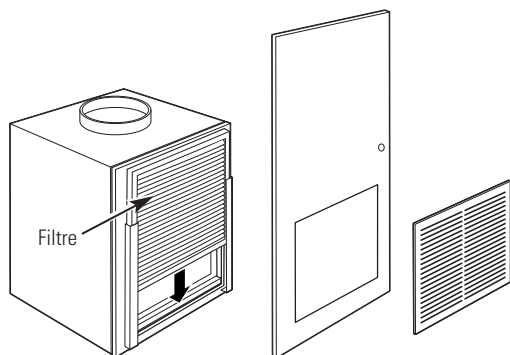


RAVRG1 – Panneau d'accès avec grille de retour d'air



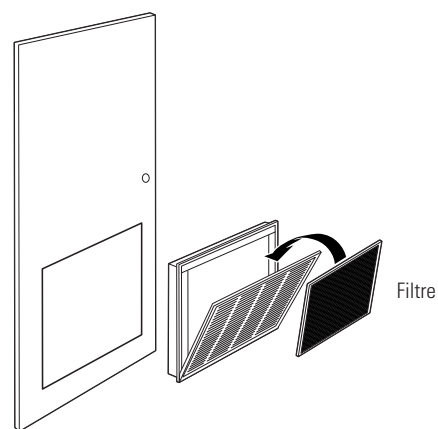
Option n° 1

Filtre monté sur l'appareil avec grille de retour d'air achetée localement et porte/panneau d'accès



Option n° 3

RAVRG2 – Grille de retour d'air



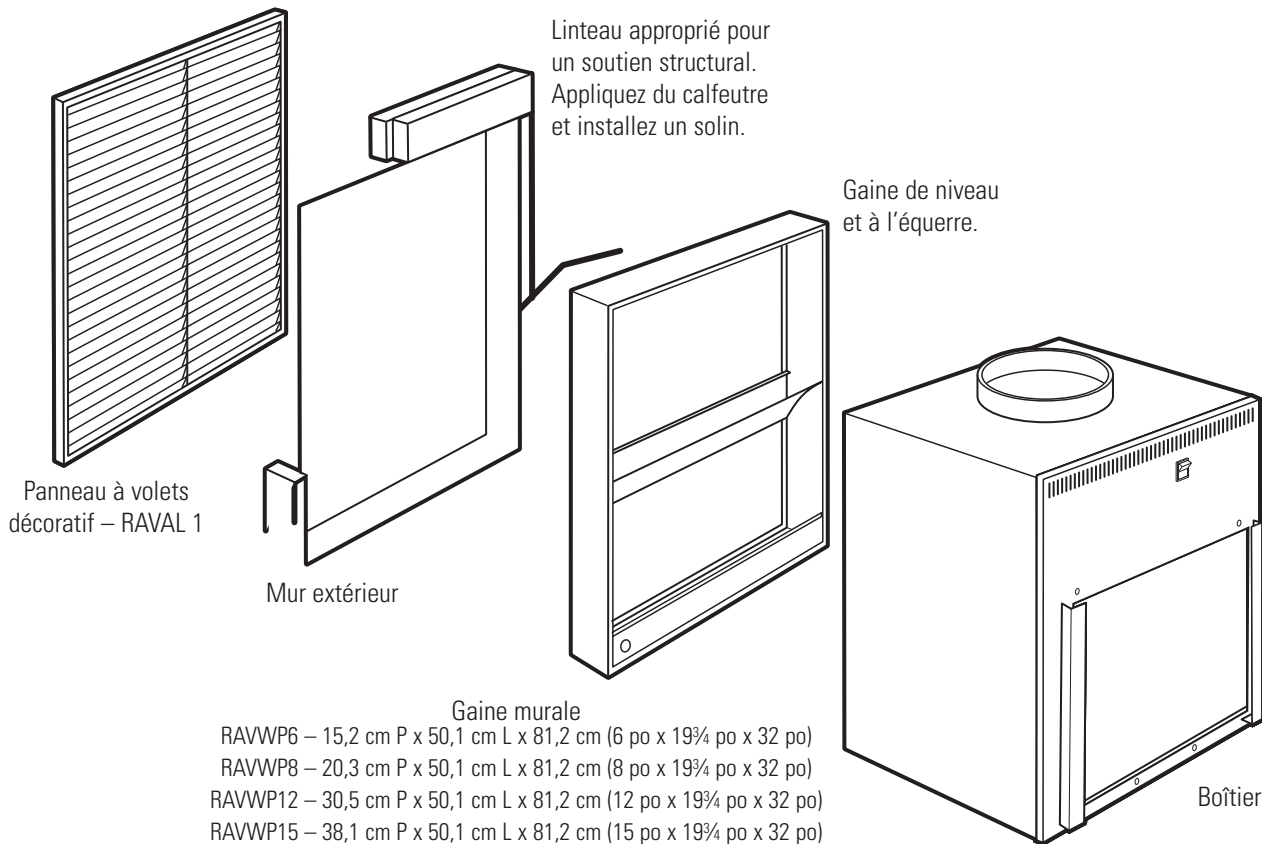
Option n° 2

Directives d'installation

INSTALLATION DU PANNEAU À VOILETS DÉCORATIF ET DE LA GAINÉ MURALE

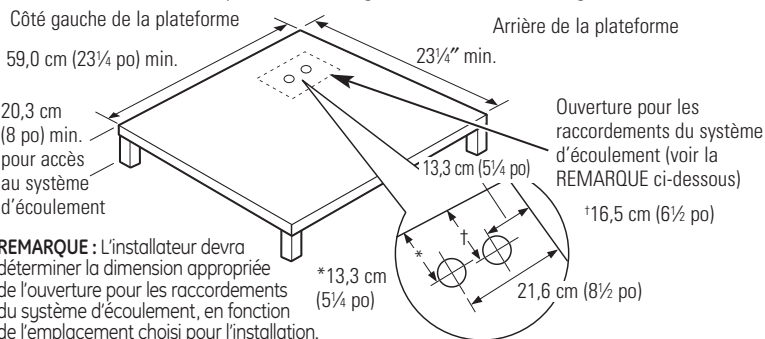
- Installez la gaine murale appropriée dans le mur extérieur en suivant les directives d'installation fournies avec la gaine.

IMPORTANT : La gaine murale n'est pas conçue pour supporter une charge structurale. Il faut installer un linteau approprié. Pour la gaine murale, il faut prévoir un solin approprié, des cales et du calfeutre pour une installation résistant aux intempéries.



1 CONSTRUCTION ET INSTALLATION DE LA PLATEFORME DE L'APPAREIL ZONELINE

1. Construisez une plateforme carrée mesurant au moins 59,0 cm x 59,0 cm (23¼ po x 23¼ po) pourvue de pieds afin de surélever la plateforme à une hauteur d'au moins 20,3 cm (8 po). **REMARQUE :** La plateforme doit avoir une capacité de charge minimum de 79,3 kg (175 lb).



2. Pratiquez des ouvertures pour le système d'écoulement :
 - Raccord d'écoulement principal – la ligne centrale du raccord d'écoulement se trouve à environ 13,3 cm (5¼ po) de la paroi gauche du boîtier et à 21,5 cm (8½ po) de la paroi arrière du boîtier.
 - Raccord d'écoulement secondaire – la ligne centrale du raccord d'écoulement se trouve à environ 16,5 cm (6½ po) de la paroi gauche du boîtier et à 13,3 cm (5¼ po) de la paroi arrière du boîtier.
3. Installez la plateforme dans le placard de service en prévoyant les dégagements suivants entre la plateforme et la surface intérieure des parois/de la porte/du panneau :
 - 10,1 cm (4 po) **min.** à partir de l'avant du boîtier – appareil installé par l'**AVANT** du boîtier.
 - 12,7 cm (5 po) **min.** à partir de l'avant du boîtier – appareil installé par le **CÔTÉ** du boîtier.
 - 7,62 cm (3 po) **min.** à partir des deux côtés du boîtier.
4. Placez la plateforme vis-à-vis de l'ouverture de la gaine murale et fixez-la au plancher à l'aide de supports et de boulons.

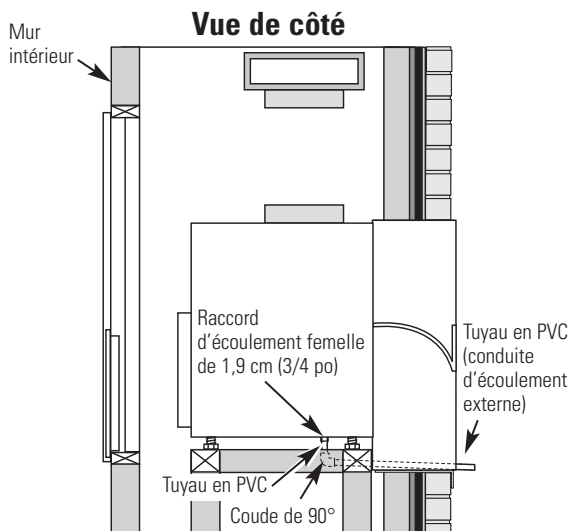
Directives d'installation

2 INSTALLATION DES CONDUITES

Il faut raccorder une conduite d'écoulement interne ou externe au raccord principal d'écoulement. Un raccord secondaire d'écoulement est fourni si les codes locaux et provinciaux l'exigent. Reportez-vous aux codes locaux en vigueur pour l'installation appropriée des conduites d'écoulement. Si le raccord secondaire d'écoulement n'est pas utilisé, obturez-le au moyen d'un bouchon mâle fileté NPT de 1,9 cm (3/4 po).

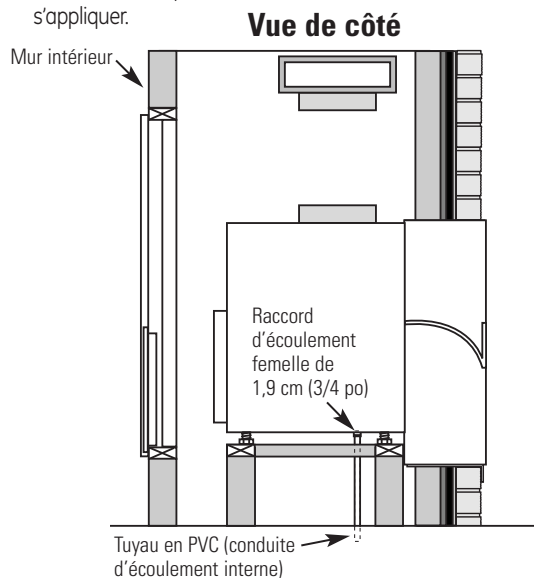
Conduite d'écoulement externe

Fixez un coude de 90° en PVC au raccord d'écoulement principal femelle de 1,9 cm (3/4 po) à filetage NPT. Installez à l'autre extrémité du coude un tuyau en PVC n° 40 de 1,9 cm (3/4 po) en le faisant passer par les orifices dans la gaine murale et dans le panneau à volets décoratif vers l'extérieur. Scellez le joint entre l'orifice de la gaine et le tuyau en PVC. Reportez-vous aux directives d'installation du panneau à volets RAVAL1.



Conduite d'écoulement interne

Fixez un tuyau en PVC au raccord d'écoulement principal femelle de 1,9 cm (3/4 po) à filetage NPT. Reportez-vous aux directives d'installation du panneau à volets RAVAL1. Les codes locaux peuvent s'appliquer.



3 CONDUIT

Préparez le conduit du placard en vue de son raccordement ultérieur au boîtier.

À l'aide du tableau ci-dessous, vous pouvez évaluer le débit d'air (pi^3/min) total et la pression statique externe (PSE). Servez-vous de ce tableau pour sélectionner le réglage de vitesse du ventilateur. Le collet sur le dessus du boîtier est conçu pour un conduit standard de 25,4 cm (10 po).

Tous les conduits doivent être bien droits. Tout jeu dans les conduits peut accroître considérablement la pression statique.

ATTENTION : Le conduit flexible peut s'affaisser et restreindre la circulation d'air. N'utilisez pas de conduit flexible pour confectionner des coudes de 90° ou des sections non soutenues de 1,5 m (5 pi) ou plus de longueur.

Débit d'air – pi^3/min à 230 V et à 265 V					
PSE (pouces d'eau)		Débit du ventilateur intérieur (pi^3/min)			
		RÉGLAGE DU COMMUTATEUR DIP «DUCT»			
		HAUT (UP)		BAS (DOWN)	
		Élevée (pi^3/min)	Moyenne (pi^3/min)	Moyenne (pi^3/min)	Faible (pi^3/min)
AZ75(H/E)09	0,0	390	340	340	305
	0,1	370	320	320	290
	0,2	350	300	300	270
	0,3	330	280	280	250
	0,4	310	260	260	230
AZ75(H/E)12	0,0	475	390	390	350
	0,1	450	370	370	325
	0,2	425	350	350	300
	0,3	400	330	330	275
	0,4	375	315	315	250
AZ75(H/E)18	0,0	630	545	545	490
	0,1	610	530	530	480
	0,2	590	515	515	470
	0,3	570	495	495	455
	0,4	550	475	475	440

Facteur de correction pour une tension de 208 V : 0,91

Votre débit d'air doit être équilibré en tenant compte de nombreux facteurs, p. ex. la PSE disponible, le débit d'air dans la pièce et le conduit. Pour des applications appropriées, consultez un ingénieur en chauffage, ventilation et climatisation. Vous pouvez mesurer la pression statique externe (PSE) à l'aide d'un manomètre ou d'un tube de Pitot. Après avoir déterminé la PSE, vous pouvez calculer le débit d'air à l'aide du tableau ci-dessus.

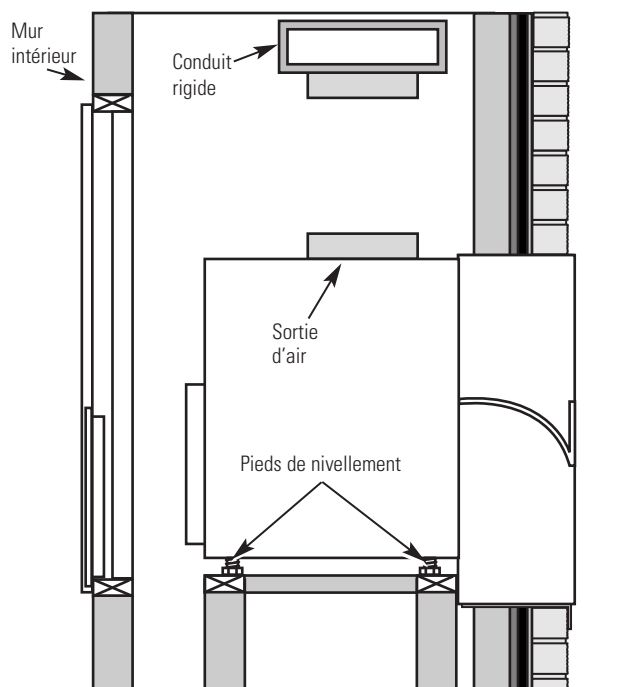
Débits recommandés (pi^3/min)									
9 000 BTU			12 000 BTU			18 000 BTU			
275	300	325	350	375	400	450	500	550	
	•			•			•		
• = Débit moyen recommandé									

Un débit plus élevé a tendance à accroître la capacité sensible, la circulation d'air dans la pièce et le bruit causé par le conduit, tandis qu'un débit plus faible a tendance à accroître la capacité latente et à réduire le bruit.

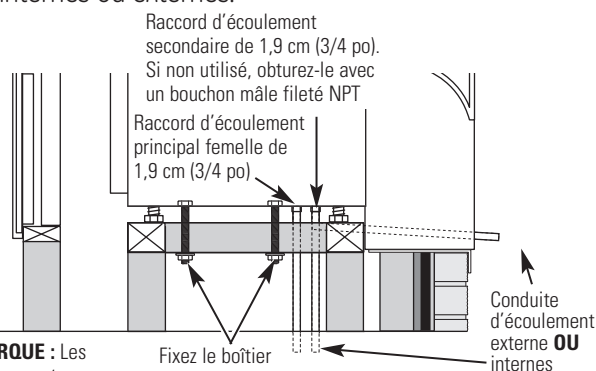
Directives d'installation

4 INSTALLATION ET RACCORDEMENT DU BOÎTIER

1. Enlevez le panneau avant et sortez l'appareil de son boîtier. Placez le boîtier vide sur la plateforme dans le placard de service, le côté extérieur faisant face à l'ouverture de la gaine murale. Placez le boîtier vis-à-vis l'ouverture de la gaine, et fixez-le à l'aide de six vis à métaux achetées localement (nous recommandons des vis résistant à la corrosion).
2. Réglez les quatre pieds de nivellement jusqu'à ce que le boîtier soit de niveau.



3. Fixez le boîtier à la plateforme à l'aide de boulons achetés localement.
4. Raccordez au besoin les conduites d'écoulement internes ou externes.



REMARQUE : Les tuyaux ne sont pas fournis avec l'appareil. Il faut les acheter localement.

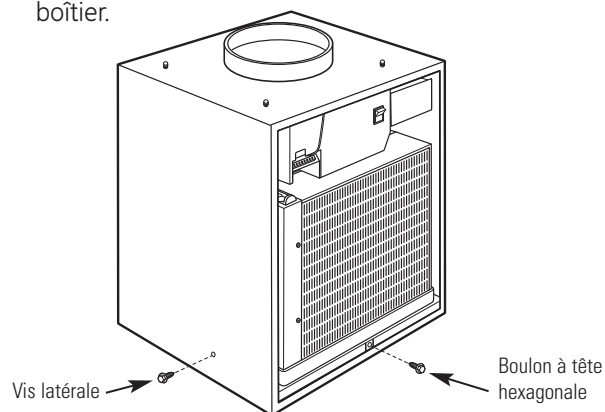
Fixez le boîtier à la plateforme à l'aide de boulons

5a INSTALLATION ET MISE À LA TERRE DE L'APPAREIL DANS LE BOÎTIER APPAREIL INSTALLÉ PAR L'AVANT DU BOÎTIER

1. Faites glisser l'appareil pour le remettre en place dans son boîtier. Poussez l'appareil complètement jusqu'au fond du boîtier.

REMARQUE : Vous pouvez enlever l'un des côtés du boîtier pour permettre à l'appareil de glisser à l'intérieur du boîtier.

2. Mettez l'appareil à la terre par l'entremise du boîtier en installant à l'avant un boulon à tête hexagonale et/ou une vis sur le côté pour relier l'appareil au boîtier.

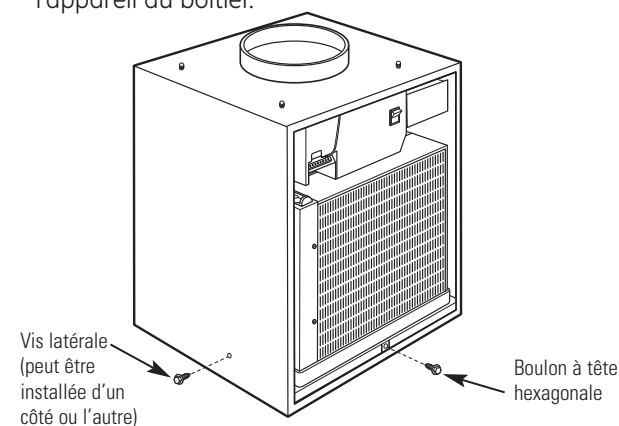


5b INSTALLATION ET MISE À LA TERRE DE L'APPAREIL DANS LE BOÎTIER APPAREIL INSTALLÉ PAR LE CÔTÉ DU BOÎTIER

1. Faites glisser l'appareil pour le remettre en place dans son boîtier. Poussez l'appareil complètement jusqu'au fond du boîtier.

REMARQUE : Vous pouvez enlever l'un des côtés du boîtier pour permettre à l'appareil de glisser à l'intérieur du boîtier.

2. Fixez le panneau latéral au boîtier.
3. Mettez l'appareil à la terre par l'entremise du boîtier en installant à l'avant un boulon à tête hexagonale et/ou une vis sur le côté pour relier l'appareil au boîtier.

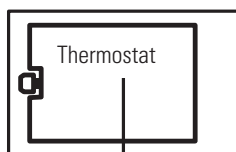


Directives d'installation

6 RACCORDEMENTS ÉLECTRIQUES

1. Raccordez les fils du thermostat mural à l'appareil et réglez les commutateurs DIP de la façon appropriée.

REMARQUE : Reportez-vous aux sections *Commandes – Bornes de raccordement* et *Commandes – Commutateurs DIP* du présent manuel, ainsi qu'au manuel du thermostat mural pour connaître les réglages et les raccordements appropriés.



Longueur maximum des fils pour raccorder le thermostat à l'appareil

20,1 m (66 pi) pour des fils n° 18 AWG
18,2 m (60 pi) pour des fils n° 20 AWG
12,2 m (40 pi) pour des fils n° 24 AWG
AWG – American Wire Gauge

Raccordements de l'appareil

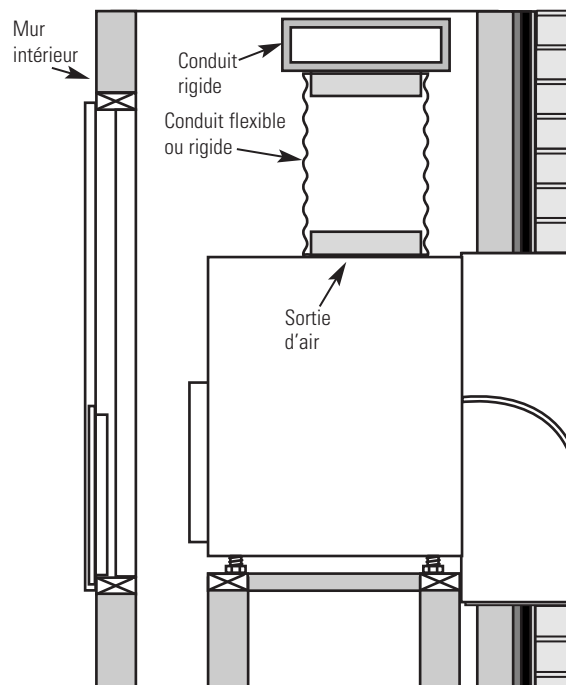
2. Raccordez les fils d'alimentation à l'appareil.

REMARQUE : Reportez-vous aux sections *ALIMENTATION ÉLECTRIQUE* et *RACCORDEMENT DIRECT* du présent manuel pour effectuer les raccordements appropriés.

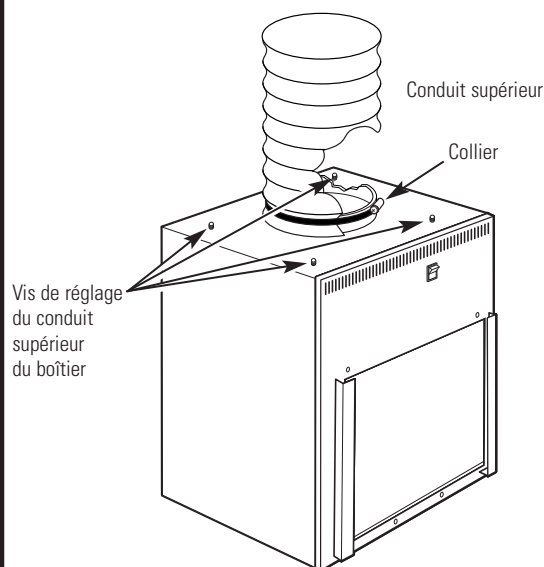
3. Remettez en place le panneau avant en réinstallant les quatre vis à l'avant et les deux vis sur le dessus de l'appareil.

7 RACCORDEMENT DU CONDUIT SUPÉRIEUR

1. Installez le conduit sur la sortie d'air.



2. Fixez le conduit supérieur à l'appareil en tournant les quatre vis de réglage du conduit supérieur du boîtier jusqu'à ce qu'elles soient bien serrées. Fixez solidement le conduit supérieur au boîtier à l'aide d'un collier acheté localement.



Directives d'installation

8 DERNIÈRES VÉRIFICATIONS

Passez en revue la **liste de contrôle** qui suit avant de rétablir l'alimentation électrique.

- Tension de secteur correcte?
- Circuit simple seulement?
- Fusible/disjoncteur pour chauffage, ventilation et climatisation?
- Conduit raccordé?
- Boîtier et appareil de niveau?
- Gaine murale calfeutrée? De niveau? Solin installé?
- Conduite d'écoulement raccordée?
- Thermostat mural correctement câblé?
- Appareil correctement câblé?
- Raccordements de plomberie pour chauffage hydronique effectués (s'il y a lieu)?
- Raccordements électriques pour chauffage hydronique effectués (s'il y a lieu)?

9 RÉTABLISSEMENT DE L'ALIMENTATION ÉLECTRIQUE

1. Après avoir vérifié tous les points ci-dessus, rétablissez l'alimentation électrique au tableau de distribution électrique.
2. Mettez l'appareil en marche en appuyant à la partie supérieure de l'interrupteur à l'avant de l'appareil.

RÉPARATION

AVERTISSEMENT :

Avant d'effectuer une réparation, coupez l'alimentation électrique au panneau de distribution électrique et bloquez le secteur afin d'empêcher le rétablissement accidentel du courant. Lorsqu'il n'est pas possible de bloquer le secteur, installez bien en vue un dispositif d'avertissement, par exemple une étiquette, sur le panneau de distribution électrique.

REMARQUE : Nous recommandons fortement de confier toute réparation à un technicien qualifié.

Pour faciliter la réparation, il est possible de sortir l'appareil de son boîtier :

1. Débranchez le cordon d'alimentation et débranchez les fils du thermostat mural.
2. Relevez le conduit supérieur en tournant dans le sens antihoraire les quatre vis de réglage du conduit supérieur du boîtier.
3. Enlevez le panneau avant.
4. Enlevez la vis de mise à la terre à l'avant et/ou sur le côté de l'appareil.
5. Tirez sur l'appareil pour le sortir de son boîtier.

Avant d'appeler un réparateur...

Conseils de dépannage

Problème	Causes possibles	Correctifs
L'appareil Zoneline ne fonctionne pas	L'appareil n'est pas branché.	<ul style="list-style-type: none"> Assurez-vous que la fiche de l'appareil Zoneline est bien branchée dans la prise de courant.
	Le fusible est grillé ou le disjoncteur est déclenché.	<ul style="list-style-type: none"> Vérifiez le tableau de distribution électrique de la résidence et remplacez le fusible grillé ou réenclenchez le disjoncteur.
	L'appareil attend que le limiteur de surcharge du compresseur se réenclenche.	<ul style="list-style-type: none"> Ce phénomène est normal. L'appareil Zoneline se remettra en marche après le réenclenchement du limiteur.
	Panne de courant.	<ul style="list-style-type: none"> Il y a un délai de protection (pouvant atteindre 3 minutes) pour empêcher le déclenchement du limiteur de surcharge du compresseur. C'est pourquoi, il est possible que le chauffage ou la climatisation ne reprenne pas pendant 3 minutes après le rétablissement du courant.
Climatisation ou chauffage insuffisants	Le débit d'air intérieur est restreint.	<ul style="list-style-type: none"> Assurez-vous que la grille de retour d'air ou la grille de sortie d'air n'est pas bloquée par des rideaux, des stores ou un meuble.
	Le débit d'air extérieur est restreint.	<ul style="list-style-type: none"> Assurez-vous que le panneau à volets décoratif n'est pas obstrué. Cela pourrait provoquer l'interruption du fonctionnement de l'appareil en raison d'une surcharge du compresseur. La grille extérieure doit avoir une superficie dégagée d'au moins 65 %. Les grilles d'une autre marque que GE peuvent être trop restrictives pour assurer un rendement approprié. Consultez votre vendeur si vous avez besoin d'aide.
	Le filtre à air est sale.	<ul style="list-style-type: none"> Remplacez le filtre au moins tous les 30 jours. Reportez-vous à la section <i>Entretien et nettoyage – Filtres à air</i>.
	La température dans la pièce était peut-être basse ou élevée.	<ul style="list-style-type: none"> Lorsque vous mettez en marche l'appareil Zoneline pour la première fois, il faut attendre un certain temps pour que la température dans la pièce diminue ou augmente.
	De l'air de l'extérieur entre dans la pièce.	<ul style="list-style-type: none"> Réglez la commande de ventilation à la position FERMÉE.
Odeur de brûlé au début du fonctionnement en mode chauffage	Poussière à la surface de l'élément chauffant.	<ul style="list-style-type: none"> Cette poussière peut produire une odeur de «brûlé» au début du fonctionnement en mode chauffage. Cette odeur devrait disparaître rapidement.
L'air n'est pas toujours chaud ou froid pendant le fonctionnement	La thermopompe ne produit pas d'air chaud.	<ul style="list-style-type: none"> Ce phénomène est normal. La thermopompe produit de l'air tiède qui n'est pas aussi chaud que celui fourni par l'élément chauffant qui coûte plus cher à l'utilisation lorsqu'il fonctionne.
	Le ventilateur est peut-être réglé au mode de fonctionnement continu.	<ul style="list-style-type: none"> Ce ventilateur envoie de l'air à la température de la pièce même lorsque le compresseur ou l'élément chauffant est éteint. La circulation d'air continue assure un meilleur contrôle général de la température.
L'air ne semble pas assez chaud au mode chauffage	La thermopompe seule fournit de l'air un peu moins chaud.	<ul style="list-style-type: none"> Utilisez le mode chauffage électrique. Cette fonction éteint la thermopompe et l'air est chauffé uniquement par l'élément chauffant électrique. <p>REMARQUE : L'utilisation de cette option augmente la consommation d'énergie.</p>

Consignes de sécurité

Fonctionnement

Entretien et nettoyage

Dépannage

Service à la clientèle

Ces phénomènes sont normaux.

Bruits normaux de fonctionnement

PING!



Il est possible que vous entendiez un cognement causé par des gouttes d'eau qui frappent le condenseur par temps pluvieux ou lorsque le degré d'humidité est élevé. Cette conception améliore la déshumidification et l'efficacité de l'appareil.

"CLIC"

Il est possible que vous entendiez le dé clic des relais lorsque les commandes fonctionnent de façon cyclique ou lorsque vous les réglez pour modifier la température de la pièce.

GOUTTES



Par temps pluvieux ou lorsque le degré d'humidité est élevé, de l'eau est recueillie dans le plateau de l'appareil. Ce plateau peut déborder et de l'eau peut s'écouler du côté extérieur de l'appareil.

BRUISSEMENT



Le ventilateur intérieur fonctionne continuellement lorsque l'appareil est au mode climatisation, sauf si l'interrupteur du ventilateur, derrière le panneau avant de l'appareil, est réglé au mode de fonctionnement cyclique du ventilateur (niveau haut). De cette façon, le ventilateur se met en marche et s'arrête de façon cyclique en même temps que le compresseur. Il est possible que vous entendiez aussi le bruit du ventilateur lorsqu'il se met en marche et s'arrête.

Délai de
3 minutes



Lorsque vous tentez de remettre en marche l'appareil Zonline trop rapidement après l'avoir éteint ou lorsque vous réglez le thermostat immédiatement après l'arrêt du compresseur, vous remarquerez peut-être un délai de quelques minutes avant que l'appareil ne se remette en marche. Ce délai de 3 minutes environ est attribuable à un dispositif intégré qui protège le compresseur lors du redémarrage.

SILENCE

Lors du cycle de dégivrage, les ventilateurs intérieur et extérieur s'arrêtent, et le compresseur fonctionne au mode climatisation pour éliminer le givre sur les serpentins extérieurs. Après le dégivrage, l'appareil se remet en marche en mode chauffage électrique pour ramener rapidement la température de la pièce au niveau de confort désiré.

PROTECTION DU COMPRESSEUR

Pour protéger le compresseur et éviter les cycles courts, l'appareil est conçu pour fonctionner pendant un minimum de 3 minutes après le démarrage du compresseur à n'importe quel réglage du thermostat.

Notes.

<i>Consignes de sécurité</i>	<i>Fonctionnement</i>	<i>Entretien et nettoyage</i>	<i>Dépannage</i>	<i>Service à la clientèle</i>
------------------------------	-----------------------	-------------------------------	------------------	-------------------------------

<i>Service à la clientèle</i>	<i>Dépannage</i>	<i>Entretien et nettoyage</i>	<i>Fonctionnement</i>	<i>Consignes de sécurité</i>
-------------------------------	------------------	-------------------------------	-----------------------	------------------------------

Notes.

Garantie du climatiseur vertical Zonline.



Toutes les réparations sous garantie sont effectuées par nos Centres de service ou par nos réparateurs autorisés Customer Care^{MD}. Vous pouvez prendre rendez-vous en ligne, en visitant notre site ge.com ou en appelant au 1.800.432.2737 (1.800.GE CARES). Au Canada, communiquez avec la firme Gordon Williams Corp. au 1.888.209.0999. Lorsque vous appelez, ayez à portée de la main le numéro de modèle et le numéro de série de votre appareil.

Agrafez votre facture ici. Vous devrez prouver la date d'achat originale pour obtenir des services de réparation en vertu de la garantie.

Pendant une période de :	GE remplacera :
Un an à compter de la date d'achat originale	Toute pièce du climatiseur Zonline qui se révèle défectueuse en raison d'un vice de matières ou de fabrication. Au cours de cette garantie limitée d'un an , GE fournira également, sans frais , la main-d'oeuvre et le service de réparation à domicile pour remplacer la pièce défectueuse.
Cinq ans à compter de la date d'achat originale	Toute pièce du système frigorifique (le compresseur, le condenseur, l'évaporateur et tous les tubes de raccordement) qui se révèle défectueuse en raison d'un vice de matières ou de fabrication. Au cours de cette garantie limitée supplémentaire de 4 ans , GE fournira également, sans frais , la main-d'oeuvre et le service de réparation à domicile pour remplacer la pièce défectueuse.
Cinq ans à compter de la date d'achat originale	De la deuxième à la cinquième années à compter de la date d'achat originale, GE remplacera certaines pièces qui se révèlent défectueuses en raison d'un vice de matières ou de fabrication. Les pièces couvertes comprennent les moteurs de ventilateur, les interrupteurs, les thermostats, l'élément chauffant électrique, les dispositifs de protection de l'élément chauffant électrique, le limiteur de surcharge du compresseur, les solénoïdes, les circuits imprimés, les commandes auxiliaires, les thermistances, les commandes de température, la pompe du système interne d'élimination du condensat, les condensateurs, les varistors et les roulements du ventilateur intérieur. Au cours de cette garantie limitée supplémentaire de 4 ans , vous devrez assumer tous les frais de main-d'oeuvre et de service de réparation à domicile.

Ce qui n'est pas couvert :

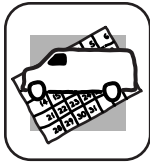
- Toute visite à votre domicile pour vous expliquer le fonctionnement de l'appareil.
- Une installation, une livraison ou un entretien inadéquats.
Pour tout problème d'installation ou si le climatiseur n'assure pas une climatisation ou un chauffage adéquats, communiquez avec votre détaillant ou votre installateur. Vous avez la responsabilité de fournir les installations appropriées pour les raccordements électriques.
- Dans les établissements commerciaux, la main-d'oeuvre nécessaire pour amener l'appareil à un endroit où il pourra être accessible aux fins de réparation par un technicien.
- Les défaillances ou les dommages attribuables à la corrosion causée par une installation dans un milieu contenant des produits chimiques corrosifs.
- Le remplacement des fusibles ou le réenclenchement des disjoncteurs.
- Les filtres.
- Les défaillances du produit attribuables à des modifications apportées au produit ou à une utilisation déraisonnable, y compris les défaillances imputables à un entretien inadéquat ou négligent.
- Les défaillances ou les dommages attribuables à la corrosion en raison d'une installation dans un environnement côtier, sauf dans le cas des modèles ayant subi un traitement anti-corrosion appliqué à l'usine, comme indiqué dans le numéro de modèle.
- Tout dommage au produit attribuable à une alimentation électrique inadéquate, un accident, un incendie, une inondation ou un cas de force majeure.
- Tout dommage direct ou indirect causé par une défectuosité possible du climatiseur.
- Les dommages survenus après la livraison.
- Le service, s'il est impossible d'avoir accès au produit pour le réparer.

EXCLUSION DE GARANTIES IMPLICITES—Votre seul et unique recours est la réparation du produit, comme stipulé dans la présente garantie limitée. Toutes les garanties implicites, y compris les garanties de qualité marchande et de convenance à un usage spécifique, sont limitées à une année ou à la période la plus courte autorisée par la loi.

Cette garantie est offerte à l'acheteur initial, ainsi qu'à tout acheteur subséquent d'un produit acheté en vue d'une utilisation aux É.-U. et au Canada. Si le produit est installé dans une région non desservie par un réparateur autorisé de GE, vous pourriez être tenu d'assumer des frais de déplacement ou d'apporter le produit à un centre de réparation autorisé de GE. En Alaska, la garantie ne comprend pas les frais d'expédition ou les appels de service à votre domicile.

Dans certains états ou provinces, il est interdit d'exclure ou de limiter les dommages directs ou indirects. La présente garantie vous confère des droits juridiques spécifiques. Vous pouvez bénéficier d'autres droits, qui varient d'une province ou d'un état à l'autre. Pour connaître les droits dont vous bénéficiez dans votre région, communiquez avec le bureau des relations avec les consommateurs de votre région ou le Procureur général de votre état.

Service à la clientèle.

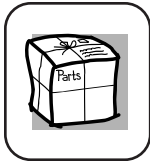


Service de réparations

Service de réparations GE est tout près de vous.

Pour faire réparer votre électroménager GE, il suffit de nous téléphoner.

Au Canada, communiquez avec la firme Gordon Williams Corp. au 1.888.209.0999.



Pièces et accessoires

Ceux qui désirent réparer eux-mêmes leurs électroménagers peuvent recevoir pièces et accessoires directement à la maison (cartes VISA, MasterCard et Discover acceptées).

Les directives stipulées dans le présent manuel peuvent être effectuées par n'importe quel utilisateur. Les autres réparations doivent généralement être effectuées par un technicien qualifié. Soyez prudent, car une réparation inadéquate peut affecter le fonctionnement sécuritaire de l'appareil.

Les consommateurs au Canada peuvent commander des pièces et des accessoires en ligne par téléphone à la firme Gordon Williams Corp. au 1.888.209.0999 pendant les heures de bureau.



Contactez-nous

Si vous n'êtes pas satisfait du service après-vente dont vous avez bénéficié :

Premièrement, communiquez avec les gens qui ont réparé votre appareil.

Ensuite, si vous n'êtes toujours pas satisfait envoyez tous les détails—numéro de téléphone compris—au
General Manager, Customer Relations
GE Appliances, Appliance Park
Louisville, KY 40225



Inscrivez votre appareil électroménager

Inscrivez votre appareil électroménager, aussitôt que possible. Cela améliorera nos communications et notre service après-vente. Vous pouvez également nous envoyer par la poste le formulaire d'inscription joint à votre documentation.