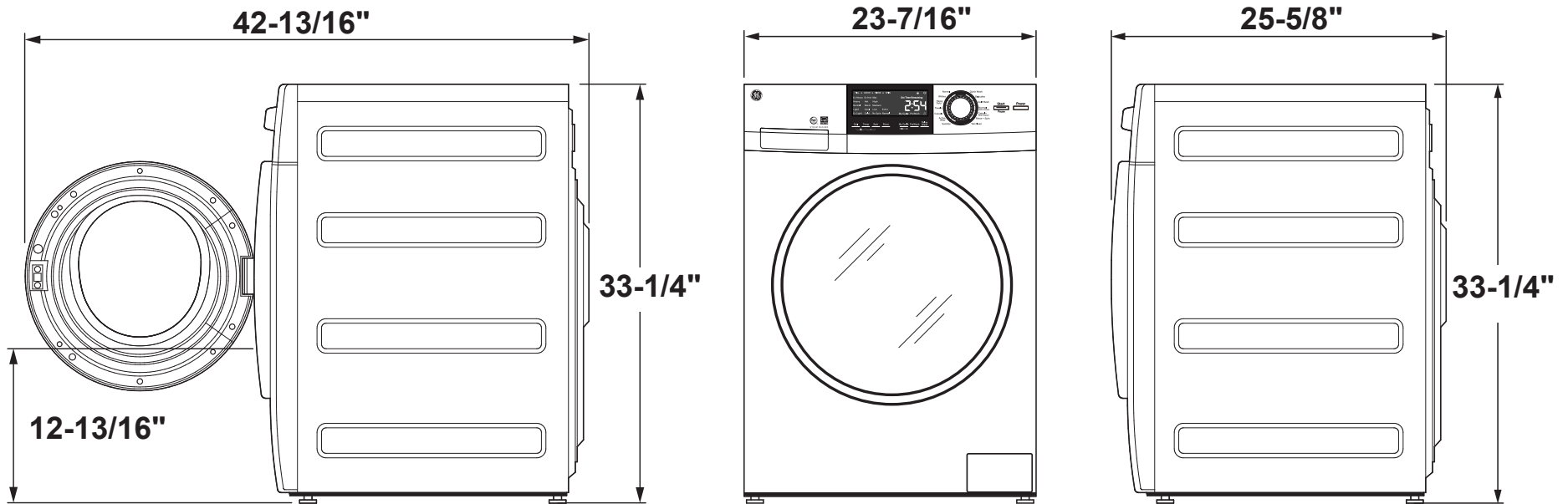


# GFQ14ESSNWW

GE® 24" 2.4 Cu. Ft. Capacity Front Load Washer/Condenser Dryer Combo

## DIMENSIONS AND INSTALLATION INFORMATION (IN INCHES)

**INSTALLATION INFORMATION:** For complete information, see installation instructions packed with your washer.



For answers to your Monogram, GE Café™ Series, GE Profile™ Series or GE Appliances product questions, visit our website at [geappliances.com](http://geappliances.com) or call GE Answer Center® Service, 800.626.2000.



Specification Created 12/19

# GFQ14ESSNWW

## GE® 24" 2.4 Cu. Ft. Capacity Front Load Washer/Condenser Dryer Combo

### SPECIAL INSTALLATION REQUIREMENTS

#### ADA COMPLIANCE:

- 4" ADA riser and drip pan for 24" frontload model: GAF140SSNWW

#### MINIMUM INSTALLATION CLEARANCES:

- When installed in alcove: Sides/Rear = 0" and Top = 1"
- When installed in closet: Sides/Rear = 0" and Top/Front = 1"
- Consideration must be given to provide adequate clearance for installation and service.
- Closet doors must be louvered or otherwise ventilated and have at least 60 square inches (387.1 cm<sup>2</sup>) of open area. If the closet contains a second laundry unit, doors must contain a minimum of 120 square inches (774.2 cm<sup>2</sup>) of open area.

#### BATHROOM OR BEDROOM INSTALLATION:

- The dryer MUST be exhausted to the outdoors with the exception of the condensing dryer.
- The installation must conform with the local codes, or in the absence of local codes, with the National Electric Code and National Fuel Gas Code, ANSI Z223 for gas dryers.

#### MINIMUM CLEARANCE OTHER THAN ALCOVE OR CLOSET INSTALLATIONS:

- Minimum clearances to combustible surfaces 0" both sides, 3" rear.

**FOR MORE INFORMATION ON VENTING KITS AND ACCESSORIES,  
PLEASE CALL 1-800-GE-CARES.**



*For answers to your Monogram, GE Café™ Series, GE Profile™ Series or GE Appliances product questions, visit our website at [geappliances.com](http://geappliances.com) or call GE Answer Center® Service, 800.626.2000.*



Specification Created 12/19

# GFQ14ESSNWW

## GE® 24" 2.4 Cu. Ft. Capacity Front Load Washer/Condenser Dryer Combo

### FEATURES AND BENEFITS

2.4 cubic foot capacity – Wash large items and do laundry less often with a 2.4 cubic feet of capacity

No vent required, standard 120v plug – Can be installed conveniently in a closet, placed under a counter without the need to vent externally

All-In-One Wash & Dry – Wash and dry your clothes in a single step with a combination washer and dryer that saves you space without sacrificing capacity

Detergent, Bleach and Fabric softener dispensers – Save time doing laundry with dispensers that automatically release at the optimal point during the wash cycle

Auto Wash + Dry – Experience total convenience with a feature that automatically sets the correct dry cycle based on the chosen wash cycle, or select the dry cycle manually

Steam wash – Penetrates deep into fabric fibers, loosening stains like tomato and grass, yet protecting your fabrics

Sanitize cycles – Allows for a deeper clean with elevated temperatures designed to kill common household bacteria

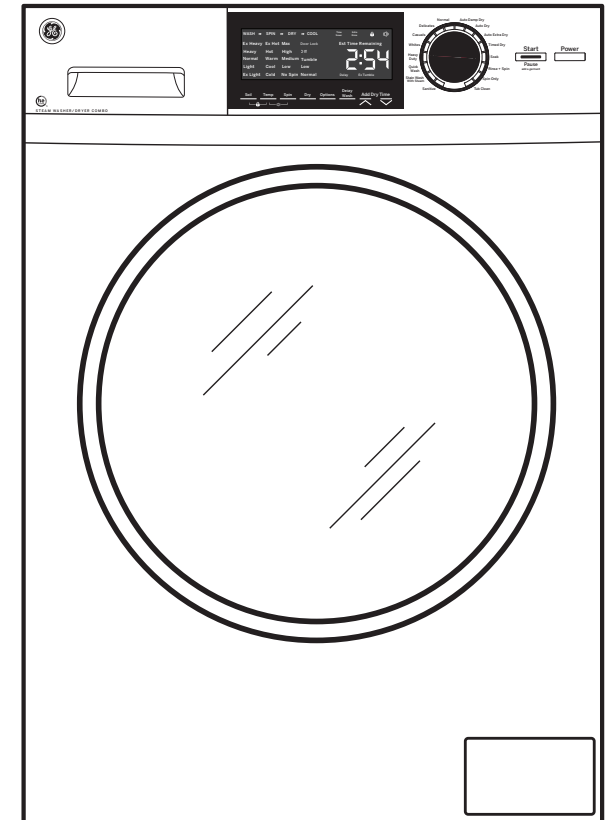
Add a Garment – Add last-minute items to the washer thanks to a button that pauses the machine and unlocks the door

5 soil level selections – Take full control of your wash cycle with five soil levels to choose from

5 wash temperature levels – Pick the water temperature you prefer and wash your way

5 spin speed choices – Speeds are matched to fabric type for great clothes care

Model GFQ14ESSNWW – White on white



For answers to your Monogram, GE Café™ Series, GE Profile™ Series or GE Appliances product questions, visit our website at [geappliances.com](http://geappliances.com) or call GE Answer Center® Service, 800.626.2000.