



Front Load Washer & Heat Pump Dryer **COMBINATION**

SAFETY INFORMATION 2

USING THE COMBO

Getting Started 4

Consumer Help Indicator 17

Appliance Communication 17

Loading 18

CARE AND CLEANING 19

INSTALLATION INSTRUCTIONS 22

TROUBLESHOOTING TIPS 27

LIMITED WARRANTY 34

CONSUMER SUPPORT 36

OWNER'S GUIDE & INSTALLATION INSTRUCTIONS

PFQ97HS

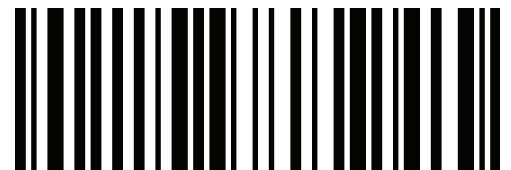
ENGLISH/FRANÇAIS/ESPAÑOL

Write the model number, serial number and MAC ID for WiFi enabled models here:

Model # _____

Serial # _____

You can find them on a label on the front panel below the gasket.



0020510444 49-3000353 Rev 3 05-23 GEA

IMPORTANT SAFETY INFORMATION

READ ALL INSTRUCTIONS BEFORE USING THE APPLIANCE

▲WARNING To reduce the risk of death, fire, explosion, electric shock, or injury to persons when using your appliance, follow basic precautions, including the following:

- Read all instructions before using the appliance.
- Follow all fabric care instructions and warnings to prevent melting of garments or damage to the appliance.
- **DO NOT** wash or dry articles that have been previously cleaned in, washed in, soaked in or spotted with gasoline, dry-cleaning solvents, or other flammable or explosive substances, as they give off vapors that could ignite or explode.
- **DO NOT** use fabric softeners or products to eliminate static unless recommended by the manufacturer of the fabric softener or product.
- **DO NOT** use consumables unless recommended by the manufacturer of the product.
- **DO NOT** add gasoline, dry-cleaning solvents, or other flammable or explosive substances to the wash water. These substances give off vapors that could ignite or explode.
- **DO NOT** place items exposed to cooking oils in your unit. Items contaminated with cooking oils may contribute to a chemical reaction that could cause a load to catch fire. To reduce the risk of fire due to contaminated loads, the final part of the tumble dryer cycle occurs without heat (cool down period). At the end of the cycle the door remains locked during the cool down period to protect from surfaces that get hot during drying. The cool down period will be approximately 10 minutes before the door is unlocked.
- **DO NOT** dry articles containing foam rubber or similarly textured rubber-like materials.
- Clean the lint filter after every 5th dry cycle.
- **DO NOT** store combustible materials, gasoline or other flammable liquids near the unit. Keep area around the air intake vent on the front of the unit and adjacent surrounding areas free from the accumulation of lint, dust and dirt.
- The interior of the appliance should be cleaned periodically by qualified service personnel.
- **DO NOT** add a dryer sheet in the machine before or during the wash portion of the cycle.
- **DO NOT** spray any type of aerosol into, on or near the unit at any time. **DO NOT** use any type of spray cleaner when cleaning the interior. Hazardous fumes or electrical shock could occur.
- Under certain conditions, hydrogen gas may be produced in a hot-water system that has not been used for 2 weeks or more. **HYDROGEN GAS IS EXPLOSIVE**. If the hot water system has not been used for such a period, before using a washing machine, turn on all hot-water faucets and let the water flow from each for several minutes. This will release any accumulated hydrogen gas. As the gas is flammable, **DO NOT** smoke or use an open flame during this time.
- **DO NOT** allow children to play on or in this appliance. Close supervision of children is necessary when this appliance is used near children. Before the appliance is removed from service or discarded, remove the door or lid. Failure to follow these instructions may result in death or injury to persons.
- **DO NOT** reach into the appliance if the drum is moving to prevent accidental entanglement.
- **DO NOT** install or store this appliance where it will be exposed to the weather.
- **DO NOT** tamper with controls, repair or replace any part of this appliance or attempt any servicing unless specifically recommended in the user maintenance instructions or in published user repair instructions that you understand and have the skills to carry out.
- **DO NOT** climb or stand on this unit.
- **DO NOT** operate this appliance if it is damaged, malfunctioning, partially disassembled, or has missing or broken parts including a damaged cord or plug.
- Unplug the appliance or turn off the circuit breaker before servicing. Pressing the **Power** button **DOES NOT** disconnect power.
- See "ELECTRICAL REQUIREMENTS" located in the Installation Instructions for grounding instructions.
- **DO NOT** use replacement parts that have not been recommended by the manufacturer. (e.g. parts made at home using a 3D printer).

READ AND SAVE THESE INSTRUCTIONS

IMPORTANT SAFETY INFORMATION

READ ALL INSTRUCTIONS BEFORE USING THE APPLIANCE

⚠ WARNING

Sharp Edges – Although it is unnecessary to perform this type of maintenance, to reduce the risk of injury, use care when cleaning the condenser or evaporator coil fins.

Proper Disposal of your Appliance

- Dispose of or recycle your appliance in accordance with Federal and Local Regulations. Contact your local authorities for the environmentally safe disposal or recycling of your appliance.

PROPER INSTALLATION

This Combo must be properly installed and located in accordance with the Installation Instructions before it is used.

- Ensure that the hot water hose is connected to the “H” valve and the cold water hose is connected to the “C” valve.
- Install or store where it will not be exposed to temperatures below freezing or exposed to the weather, which could cause permanent damage and invalidate the warranty.
- Properly ground unit to conform with all governing codes and ordinances. Outlet receptacle must be supplied by an Individual, properly polarized and grounded 15 or 20 amp circuit breaker or time-delay fuse. Follow details in the Installation Instructions.
- Ensure unit is properly leveled and unit legs are adjusted such that unit is stable.
- GE Appliances strongly recommends the use of factory specified parts. A list of factory hoses available for purchase are listed. These hoses are manufactured and tested to meet GE Appliances specifications.
- GE Appliances strongly recommends the use of new water supply hoses. Hoses degrade over time and need to be replaced every 5 years to reduce the risk of hose failures and water damage.
- Consider recycling options for your appliance packaging material.

AUTOMATIC DRAIN SEQUENCE

- Machine will automatically drain any time the door is left open for more than 15 minutes and water is present.
- Machine will automatically drain if left in a paused state with the door closed for more than 24 hours and water is present.

WHEN NOT IN USE

- Turn off water faucets to minimize leakage if a break or rupture should occur. Check the condition of the fill hoses; GE Appliances recommends changing the hoses every 5 years.

PARTS AND ACCESSORIES

Order on-line at GEApplianceparts.com today, 24 hours a day or by phone at 877.959.8688 during normal business hours. In Canada, visit your local GE Appliances parts distributor or call 800.661.1616 or GEAppliances.ca/en/products/parts-filters-accessories.

Part Number	Accessory	Part Number	Accessory
WX14X10011	6 ft stainless steel washer hoses with 90° elbows; 2-pack	WX08X10070	4" Duct Vent Cap
WH49X316	Unit drain hose extension kit - Approximately 44"	PM14X10056	Appliance Brush Set
WH41X36697	Unicouple Hose Assembly for Clothes Washer	PM7X2	Universal low profile washer floor tray - White
GFAPC120V (or equivalent)	4 Prong 240V to 110V Plug Converter	GFR0728	28" width Riser without drawer
		NOTE:	The 28" width tall pedestal with drawer is not advised for use with the Combo.

READ AND SAVE THESE INSTRUCTIONS

Getting started

Throughout this manual, features and appearance may vary from your model.

⚠ WARNING To reduce the risk of fire, electric shock, or injury to persons, read the **IMPORTANT SAFETY INFORMATION** before operating this appliance.

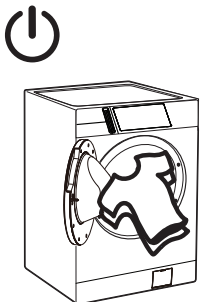
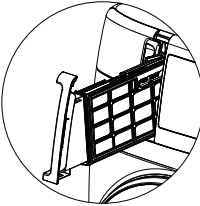
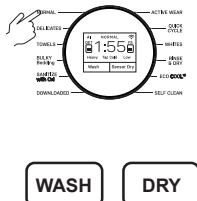
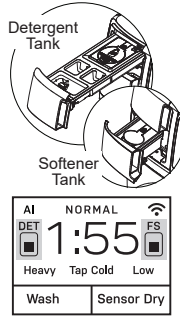
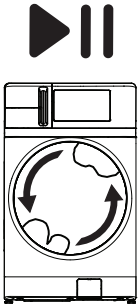

🕒 No load transfer! Start a load before work, before you go to bed...or anytime!
 When you choose **WASH + DRY**, your work is done. The Combo will wash and then gently dry your garments in just a couple hours, so you can go about your business. Finally, laundry is one and done.

👕 Clothes may feel a little damp when the dry cycle ends, but they're actually dry!
 Because your Combo dries clothes at low heat in a sealed drum, they may feel slightly damp or cool on first touch. Just take them out and shake them out and they will feel dry in a few seconds.

🕒 Wash + Dry a load in just a couple hours. Times may adjust before and during cycles.
 Your Combo learns your load patterns, fabric types and habits. You may notice that the total cycle time will adjust during a cycle and from load to load based on load size, soil level and spin out after wash.

📦 Easy access dual-stage lint filter ensures high efficiency airflow.
 Recirculating filtered, high speed air-flow allows the Combo to deliver great drying performance. You'll notice that less lint is generated through air tumbling versus standard dryers. Look for reminders to clean the filter.

⚙️ Simple to use with plenty of options! Explore all the features.
 Don't mess with detergent & softener: **SmartDispense**. Reduce wrinkles at end of cycle: **Wrinkle Care**.
 Start the Combo from your phone: **Remote Start**. ¿No hablas inglés?: Cambiar **Language** en el **Menu**.
 Increase dryness level of your laundry: **More Dry**. Toss in a dryer sheet: **Wash Complete** 🔔 notifies when.

<p>1 Power On the Combo and load it with sorted laundry items.</p> 	<p>2 Check the filter on both sides. To get the best drying efficiency, it is important to start with a clean filter.</p> 	<p>3 Select a Wash + Dry cycle. If desired, you can choose to run a Wash or Dry only.</p> 
<p>4 Manually dose or use SmartDispense after filling with detergent and/ or softener. Choose other Wash and Dry Options as desired.</p> 	<p>5 When ready, tap the Start / Pause button and let the Combo do the washing and drying thanks to no load transfer.</p> 	<p>6 If desired, check the SmartHQ App on your phone for notifications, to adjust options, add more dry time or to learn more about the Combo.</p> 

SmartHQ App Enabled

There are several options that support your WiFi connected Combo available through the SmartHQ App.

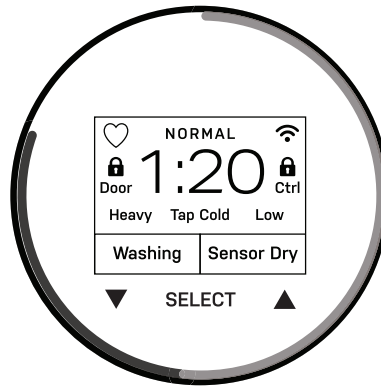
Not only does this App enable you to receive over the air upgrades and updates to your Combo's software, but it unlocks special features for your Combo.



Getting started

Display and Status Lights

(Features and appearance will vary)










The display shows the cycle options selected, the approximate time remaining until the end of the cycle and the cycle status for **WASH** and **DRY** modes (PreWashing, Washing, Rinsing, Spinning, Drying, Complete).

NOTE: The cycle time is affected by how long it takes the Combo to fill, based on the water pressure in your home. Cycle time is also adjusted based on potential rebalances which may be required to thoroughly spin out the wet load. And finally, for cycles with **DRY** added, the Combo will adjust the drying time to achieve the desired final moisture content.

If an out-of-balance condition is detected by the Combo, the **Spin** status light or **Spin** option selection light will blink during the remaining portion of the cycle and will stay illuminated for a short time after cycle completion. When this occurs, the Combo is taking actions to correct the out-of-balance condition and complete the cycle normally. In some cases, the Combo may not be able to balance the load and spin up to full speed. If you notice the load is more wet than usual at the end of the wash portion of the cycle, redistribute the load evenly in the wash basket and run a **Rinse & Dry** cycle.

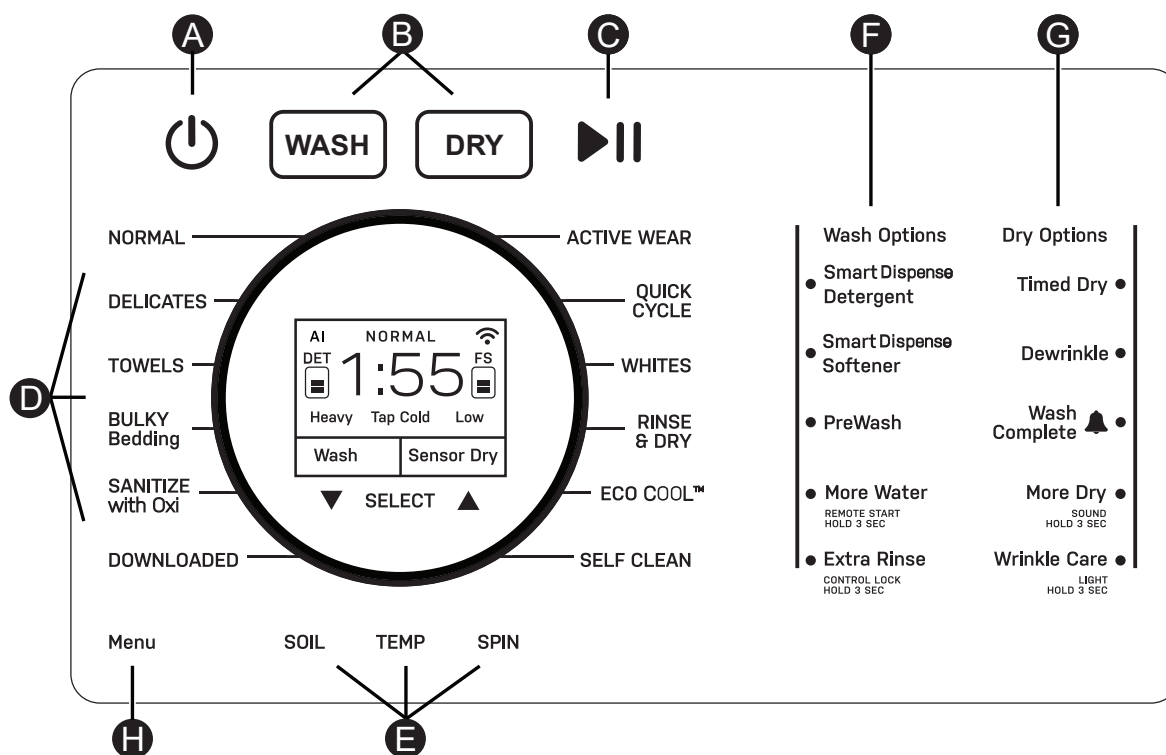
The **LIGHT RING** will show a single LED next to the cycle you have selected until you start the cycle. It will then show a representative countdown of the total cycle with the left half in blue tracing the wash cycle and the right half in magenta tracing the dry cycle. In addition, the **LIGHT RING** may indicate actions to remind you to perform maintenance, show signal cycle completion, WiFi set-up or warning messages.

In addition, the display will show:

 (WiFi)	Will allow your appliance to communicate with your smartphone for remote appliance monitoring, control and notifications. It stays lit whenever the Combo is on and is connected.
 Ctrl	The controls on the Combo are locked when this icon is illuminated. You must press and hold the Control Lock button to unlock the controls.
 Door	This icon will illuminate while the door is locked and will blink while the Combo is in the process of pausing and then unlocking.
	This icon indicates that you are using your MySettings options for the cycle selected. MySettings for a cycle can be set by choosing a cycle, selecting your preferred options and then pressing and holding the cycle name again. In the future, simply select that cycle and your MySettings will be instantly recalled. If the heart icon has the letters "AI" inside (), that means the Combo has automatically programmed the MySettings for that particular cycle based on your frequently chosen options.
 DET	Detergent will automatically dose from the SmartDispense - Detergent dispenser according to the weight and soil level of the clothes and brand of product selected. You can adjust this feature to dose MORE or LESS detergent or turn it OFF to manually dose.
 FS	Fabric softener will automatically dose from the SmartDispense - Softener dispenser according to the weight of the clothes and brand of product selected. You can adjust this feature to dose MORE or LESS fabric softener or turn it OFF to manually dose.

Getting started

Features and appearance will vary.



A Power - Press to “wake up” the display. If the display is active, press to put the Combo into standby “OFF” mode.
NOTE: Pressing **Power** does not disconnect the appliance from the power supply.

B WASH and DRY - By default, the Combo selects a complete **WASH** and **DRY** for each cycle. You can choose to run a **WASH** only by deselecting the **DRY** button. Vice versa, you can choose to run a **DRY** only cycle by deselecting the **WASH** button. If you start a **WASH** only cycle, you can always add **DRY** prior to the completion of the cycle.

C Start and Pause - Press to start a cycle. If the Combo is running, pressing it once will pause the Combo and unlock the door. It may take a few seconds for the door to unlock after pressing **Pause**. Press again to restart the cycle.

NOTE: If the Combo is paused with the door open and the cycle is not restarted within 15 minutes, the current cycle will be canceled. If the Combo is paused with the door closed and the cycle is not restarted within 24 hours, the current cycle will be canceled. In both cases, the Combo will drain the water in the tub after the cycle is canceled.

NOTE: The Combo will perform automatic system checks after pressing the **Start** button. Water will flow in 45 seconds or less. You may hear the door lock and unlock and the pump activate before water flows.


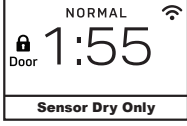

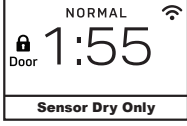

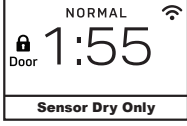
D Cycles - The cycles are designed for specific types of wash loads. The chart below will help you match the items to be washed with the best cycle settings. For optimal performance, select the cycle that most closely matches the items being washed. **Delay Start/Remote Start** is available on all cycles.

When **DRY** is also selected, the Combo will deliver a low temperature **Sensor Dry** for the garments in the load after it has completed the tailored wash cycle. The drying process for all cycles are similar to each other as they are for a **DRY** only operation.

Getting started

D Cycles (Continued)

Storing **My Settings** favorite options: To save settings for any cycle, press and hold the cycle name after adjusting the Combo to your desired options and before you hit **Start**. That will store your favorite settings and you will see a heart icon at the top left of the display at that time and whenever that cycle is selected in the future. This will now be your stored **My Settings** for that cycle unless you choose to store new settings by pressing and holding that cycle name again.

Cycle	Recommended Items		
Normal	Cycle for normal, regular, or typical use for washing or drying up to a full load of normally soiled cotton clothing.		
	<table border="1" style="width: 100%;"> <tr> <td style="width: 50%;"> NOTE: Washer ENERGY STAR® certification is tested on the NORMAL cycle - WASH (Wash Only) and SOIL level default normal. </td> <td style="width: 50%;"> NOTE: Dryer ENERGY STAR certification is tested on the NORMAL cycle - DRY (Sensor Dry Only) and Eco Dry default off. </td> </tr> </table>	NOTE: Washer ENERGY STAR ® certification is tested on the NORMAL cycle - WASH (Wash Only) and SOIL level default normal.	NOTE: Dryer ENERGY STAR certification is tested on the NORMAL cycle - DRY (Sensor Dry Only) and Eco Dry default off.
	NOTE: Washer ENERGY STAR ® certification is tested on the NORMAL cycle - WASH (Wash Only) and SOIL level default normal.	NOTE: Dryer ENERGY STAR certification is tested on the NORMAL cycle - DRY (Sensor Dry Only) and Eco Dry default off.	
<table border="1" style="width: 100%;"> <tr> <td style="width: 50%; text-align: center;">  </td> <td style="width: 50%; text-align: center;">  </td> </tr> </table>			
			
NOTE: Energy savings will vary across loads and cycles.			
Delicates	Lingerie and special care fabrics with light soil.		
Towels	Towels, sheets, pillowcases and dish rags.		
Bulky Bedding	Comforters, large coats, bed spreads, mattress covers, sleeping bags, and similar large bulky items.		
Sanitize With Oxi	Heavily soiled colorfast items with the need for sanitization. Cannot be used for Sensor Dry Only or Timed Dry Only cycle.		
Active Wear	Medium to lightly soiled athletic wear items of technical or synthetic fabrics.		
Quick Cycle	Small loads of lightly soiled items that are needed in a hurry.		
Whites	Whites and household linens.		
Rinse and Dry	For items that need only to be rinsed and not washed. This cycle gives you two versions when Dry is selected: Rinse & Dry or Drain & Dry (when Extra Rinse is deselected). It gives you two additional versions when Dry is deselected: Rinse & Spin , or Drain & Spin (Extra Rinse deselected). A spin is always performed unless you select No Spin .		
Eco Cool	Cycle for normal, regular, or typical use for washing up to a full load of normally soiled cotton clothing using only cold water while delivering equivalent performance to Normal Warm wash.		
Downloaded	Use the SmartHQ App to download a specialty cycle for your Combo.		
Power Clean*	For heavily soiled items which require extra cleaning power.		
Jeans*	Jeans with medium to light soil.		
Swim Wear*	Swim wear with medium to light soil.		
Air Fluff*	Provides 15 minutes (to up to 4 hours, if desired) of tumbling time with recycled filtered air and no heat.		
Dewrinkle	A cycle designed to reduce wrinkles from a small load that is dry or slightly damp.		
Self Clean	Cleaning the basket of residue and odor. No clothes are to be washed using this cycle.		

NOTES:

The **SANITIZE with Oxi** cycle's water temperatures CANNOT be changed. This cycle, when using an Oxi additive along with your detergent, is designed to remove 99% of bacteria found in home laundry. Measure the detergent and the Oxi products carefully. Using the amounts appropriate for a large heavily soiled load in a front load unit, follow the detergent and the Oxi product label instructions. The Combo's hot water supply connection must provide a minimum of 120°F to ensure the effectiveness of this cycle.

The **WASH** portion of the **SANITIZE with Oxi** cycle has been designed and tested per **NSF Protocol P172** to meet the requirements of sanitizing effectiveness.

*Available through **Downloaded** cycles.

The ENERGY STAR® name and mark are registered trademarks owned by the U.S. EPA.

Getting started

D Cycles - Continued

The cycles are optimized for specific types of loads. The chart below will help you match the items to be laundered with the best cycle settings. For optimal performance, select the cycle that most closely matches the items in your load. **Delay Start/Remote Start** is available on all cycles.

		Wash Cycles															
		Normal	Delicates	Towels	Bulky Items	Active Wear	Quick Cycle	Whites	Rinse and Dry	Eco Cool	Power Clean*	Jeans*	Swim Wear*	San. w/Oxi †	Air Fluff††	Dewrinkle ‡	Self Clean
Wash Settings	Soil Level																
	Extra Heavy	•		•	•	•		•		•	•	•	•	•			
	Heavy	•		•	•	•		•		•	•	•	•	•			
	Normal	•	•	•	•	•	•	•		•	•	•	•	•			
	Light	•	•	•	•	•	•	•		•		•	•				
	Extra Light	•	•	•	•	•	•	•		•		•	•				
	Wash Temperature																
	Extra Hot	•						•			•			•			
	Hot	•	•		•			•			•		•				
	Warm	•	•	•	•	•	•	•			•	•	•	•			
	Cold	•	•	•	•	•	•	•		•	•	•	•				
	Tap Cold	•	•	•	•	•	•	•		•	•	•	•				
	Spin Selection																
	Ex High (Max)	•		•	•		•	•	•	•	•	•	•		•		
	High	•		•	•		•	•	•	•	•	•	•		•		
	Medium	•	•	•	•	•	•	•	•	•	•	•	•	•	•		
	Low		•	•	•	•	•	•	•	•	•	•	•	•	•		
	No Spin		•			•			•					•			
	Wash Options																
	SmartDispense™ - Detergent	•	•	•	•	•	•	•		•	•	•	•	•	•		
SmartDispense™ - Softener	•	•	•	•	•	•	•		•	•	•	•	•	•			
Prewash	•	•	•	•	•		•		•	•	•	•	•	•			
More Water	○	•	•	•	•	•	•		•	•		•	•				
Extra Rinse	•	•	•	•	•	•	•	•	•	•	•	•	•	•			
Dry Settings																	
Dry Options																	
Sensor Dry	•	•	•	•	•	•	•	•	•	•	•	•	•	•			
Timed Dry	•	•	•	•	•	•	•	•	•	•	•	•	•	•	•	•	
Wash Complete	•	•	•	•	•	•	•	•	•	•	•	•	•	•			
More Dry**	•	•	•	•	•	•	•	•	•	•	•	•	•	•			
Wrinkle Care	•	•	•	•	•	•	•	•	•	•	•	•	•	•	•	•	

This cycle is for periodic cleaning of the Combo only. See the **Self Clean** section for more information.

• Available setting

○ Factory default setting

* Available from Downloaded cycles.

○ Available on **WASH + DRY**, but not **WASH** only.

** Not available when **Timed Dry** is selected.

† Available on **WASH + DRY** and **WASH** only. Not available on **Sensor Dry Only** or **Timed Dry Only**.

‡ **Timed Dry Only** cycle.

Getting started

E Settings

Individual settings for soil level (**SOIL**), water temperature (**TEMP**) and spin speed (**SPIN**) can be set from the minimum to maximum. Changes made using these buttons are shown in the LCD display just below the cycle time. These settings only apply to the **WASH** portion of the cycle and have no impact on drying.

SOIL

Changing the **SOIL** level increases or decreases the wash time to remove different amounts of soil.

To change the **SOIL** level, press the **SOIL** level button until you have reached the desired setting. You can choose between **Extra Light**, **Light**, **Normal**, **Heavy** or **Extra Heavy** soil levels on most cycles.

TEMP

Adjust to select the proper water temperature for the cycle.

Follow the fabric manufacturer's care label when selecting the wash temperature.

To change the wash temperature, press the **TEMP** button until you have reached the desired setting. You can choose between **Tap Cold**, **Cold**, **Warm**, **Hot** or **Extra Hot** on most cycles. By design, to protect fabrics, not all wash temperatures are available for certain cycles. **Extra Hot** will use 100% hot water from your water supply. The Combo does not heat the water.

These settings apply to the **WASH** portions of the cycle only. The **TEMP** settings select the water temperature in **WASH** and do not change the air temperature for **DRY**.

The **PreWash** rinse water is always cold to help reduce energy usage and reduce setting of stains and wrinkles.

NOTE: The first 10 seconds of the wash fill is always cold. This feature assists in conditioning the fabric and preventing stains from setting on garments.

SPIN

Adjusting the **SPIN** speed changes the final spin speed of the wash portion of the cycle. Always follow the garment manufacturer's care label when changing the **SPIN** speed.

To change the **SPIN** speed, press the **SPIN** speed button until you have reached the desired setting. You can choose between **No Spin**, **Low**, **Medium**, **High** or **Max**. Higher spin speeds are not available on certain cycles, such as **DELICATES** and **ACTIVE WEAR**.

Higher spin speeds remove more water from the clothes and will help reduce dry time, but may also increase the possibility of setting wrinkles on some fabrics.

NOTE: The Combo will still do a **SPIN** if **DRY** is requested on a **WASH** cycle in which **NO SPIN** is selected.

NOTE: This Combo features a **dB^T™ (Dynamic Balancing Technology)** system. This patented onboard sensing technology enables real-time balancing of the spin cycle for each load, saving time and providing a quiet wash. This should lead to more consistent wash times and an overall reduction in noise and vibration. If the Combo should experience any excessive noise, vibration or shaking, simply **Pause** the Combo, open the door, and manually redistribute the load before restarting the cycle.

Getting started

F Wash Options

SmartDispense™ - Detergent

When selected, this feature will automatically add detergent to the wash based on the load size, eliminating the need to add detergent for each load. Multi-tapping this button will step through dosing levels of **AUTO**, **MORE**, and **LESS** (levels visualized on the LCD screen and the LED indicator next to the button will be ON) and **OFF** (level shows off on the LCD and the LED indicator will be off). The Combo also has **Adaptive SmartDispense** capability through the SmartHQ App. With this enhancement, you can select the specific type of detergent and, in addition to using load size information, it will adjust the dosage based on the detergent manufacturer's recommendations. See the **SmartDispense - Detergent** section for details.

SmartDispense™ - Softener

When selected, this feature will automatically add softener to the final rinse based on the load size, eliminating the need to add softener for each load. Multi-tapping this button will step through dosing levels of **AUTO**, **MORE**, and **LESS** (levels visualized on the LCD and the LED indicator will be ON) and **OFF** (level shows off on the LCD and the LED indicator will be off). The Combo also has **Adaptive SmartDispense** capability through the SmartHQ App. With this enhancement, you can select the specific type of softener and, in addition to using load size information, it will adjust the dosage based on the softener manufacturer's recommendations. See the **SmartDispense - Softener** section for details.

PreWash

Prewash is an extra wash before the main wash. Use it for heavily soiled clothes or for clothes with a care label that recommends prewashing before washing.

NOTE: Detergent from **PreWash** can only use detergent from the **SmartDispense** detergent tank. SmartDispense will automatically add the proper amount of detergent for prewash based on the load size. If you choose to deselect **SmartDispense** detergent to support a manual detergent dose, the **PreWash** cannot be activated.

PreWash must be selected prior to pressing **Start**.

The **PreWash** feature will fill the Combo (adding the prewash detergent), tumble the clothes, drain and spin. Then the Combo will run the selected cycle.

NOTE: In some special cycles, **PreWash** is selected automatically as the default. You can turn off this selection at any time. The main wash will use new detergent from either the manual detergent compartment or from the **SmartDispense** tank if **SmartDispense** is selected. If you activate it, do not add additional detergent.

More Water

This option adds up to approximately 3 gallons to the wash and rinse portions of the cycle. If the option is selected before the cycle starts, the water will be added from the beginning of the cycle and later to the rinse. If the option is selected during the wash portion, more water will be added at this point and later to the rinse. Likewise, if the **More Water** option is selected after the wash portion has completed, the Combo will add more water to the rinse only. If wash and rinse have completed, the **More Water** button will no longer be active.

Remote Start

After choosing the cycle and the desired options, press and hold for 3 seconds the **More Water/Remote Start** button to allow the Combo to start a cycle from the SmartHQ app. The LCD screen will show a purple box as the first sequence before the blue WASH and /or magenta DRY operations for that cycle to indicate that the Combo will await your command to begin the cycle. It is important to hit the **Start/Pause** button to confirm that you want to activate **Remote Start** fully. You will hear the drain pump pulse twice and the door locking to indicate that the Combo is synchronized with the App.

To cancel **Remote Start**, you can either press and hold the **More Water/Remote Start** button once again or Power Off the Combo.

Remote Start can also be initiated from with the **Menu** under the **Delay Start** item by turning it **On** from there.

Extra Rinse

This option allows for an extra rinse during a cycle to remove excess dirt and detergent from soiled loads. Press the **Extra Rinse** button to select.

Getting started

F Wash Options (Continued)

Control Lock

You can lock the controls to prevent any selections from being made. Or you can lock or unlock the controls after you have started a cycle. Children cannot accidentally start the Combo by touching buttons with this option selected.

To lock/unlock the Combo controls, press and hold the **Control Lock** button for 3 seconds. It is accessed through the **Extra Rinse** button with this press and hold action. A sound is made to indicate the lock/unlock status. The control lock icon on the display will light up when it is on.

NOTE: The **Power** button can still be used when **Control Lock** is active.

G Dry Options

Timed Dry (toggles OFF Sensor Dry)


By default, the Combo will always use the Sensor Dry function whenever **DRY** is selected as part of a cycle. Sensor Dry will end the drying cycle when the Combo detects that your clothes are dry. You can choose to select a timed dry instead, by selecting the **Timed Dry** option. **NOTE:** Since you are choosing the exact drying time, the cycle will end at the prescribed time regardless of the dryness level of your load.

Use the ▲ and ▼ buttons under the LCD screen to adjust the dry times in 15 minute increments. Adjustments can be made at any time during the cycle.

Dewrinkle

The **Dewrinkle** feature is a dedicated 35 minute **Timed Dry** cycle that introduces a small amount of water vapor onto the garments and uses heat and high speed air to assist with dewrinkling the garments. It is designed for loads of 1 to 8 light to medium weight garments. There is some minimal benefit for larger loads.

Wash Complete

To receive an audible alert at the machine and via the SmarthQ App (if connected) when the **WASH** portion of the cycle is complete and before proceeding to **DRY**, select the **Wash Complete**  feature. This feature provides you the opportunity to check on the load, remove certain items or add a dryer sheet before the drying portion of the cycle commences. The machine will proceed directly into drying within a few minutes after sounding this alert regardless of whether you choose to pause and restart the cycle.

More Dry

Select this option to extend drying time by 20 minutes at the end of **Sensor Dry** to achieve a greater degree of dryness for the load. This option can be stored as part of **MySettings** for every cycle if you prefer this level of dryness.

Sound

You can turn the button tones and indicator sounds **ON** and **OFF** by pressing and holding the **More Dry/Sound** button for 3 seconds. The **Sound** level can be adjusted from inside the **Menu**.

Wrinkle Care

Select this option to tumble clothes at the end of a cycle. For a **WASH** only cycle, the clothes will tumble intermittently for a period of 8 hours to keep the clothes fresher and less prone to setting in wrinkles. For a **WASH** and **DRY** or for a **DRY** only cycle, **Wrinkle Care** will tumble the clothes intermittently without heat for 8 hours to keep the clothes fresher and less prone to setting in wrinkles.

While the Combo is running in this mode, you can either turn **OFF** or **Pause** the machine to unlock the door and remove the garments. However, you cannot restart **Wrinkle Care** after taking those actions.

Light

The basket light will turn on and remain on for 5 minutes when the door opens or by pressing and holding the **Light** button for 3 seconds.

The **Light** button is accessed by pressing and holding the **Wrinkle Care** button for 3 seconds. Pressing any button during the cycle will temporarily turn on the basket light for your convenience for 30 seconds.

Getting started

Ⓜ Menu Options

⊖ Back	
Detergent	Good
Softener	Good
AI Active	On
Animations	On
Brightness	High
Delay Start	⊖
Eco Dry	Off
Help	⊖
Language	English
Sound Level	Low
Wash/Dry Times	On
Wi-Fi	Connected

Detergent

This displays the **SmartDispense - Detergent** tank level status. The status options are **Good, Low, or Empty**. If the status is **Low**, the estimated number of loads left before **Empty** is shown.

Softener

This displays the **SmartDispense - Softener** tank level status. The status options are **Good, Low, or Empty**. If the status is **Low**, the estimated number of loads left before **Empty** is shown.

AI Active

Turn this feature on to enable certain AI features, like **Adaptive MySettings**, or as other AI features become available. **Adaptive MySettings** will learn your laundry habits and automatically create **MySettings** for the cycles and options you use frequently. Turning this feature **OFF** will allow only manual **MySettings** to be created in future occurrences.

Animations

Turn GE Profile welcome and goodbye screen animations on or off.

Brightness

Adjust the brightness of the display. Select either **High, Medium** or **Low**.

Delay Start

Select to delay the start of a wash cycle for up to 24 hours or Remote Start the Combo from your smartphone by using the SmartHQ App and enabling the **Time Delay/Remote Start** feature.

- **Time Delay:** Select **Time Delay** to delay the start of a cycle for up to 24 hours. Use the arrows to adjust the delay hours and then press **Select** to set. Use the arrows again to adjust the delay minutes in 15 minute increments and then press **Select** to set. The desired delay time will be shown. Select **Time Delay** again to turn off.
- **Remote Start:** If you have connected your Combo to WiFi, you can enable remote starting of your washer from the GE Appliances Smartphone App. Use this option to toggle the feature on or off. This feature can also be enabled directly by using the **More Water/Remote Start** button on the control panel.

Eco Dry

Turn this feature **On** from within the **Menu** to reduce the total cycle time for the purpose of using less total energy in drying. Turning **On** this feature will cause your items to be less dry at the end of the cycle as compared to when this feature is turned **Off**. By default, this feature is **Off**.

Getting started

H Menu Options (cont.)

Help

Open this submenu to get information and display QR codes to link to product literature, access on-line technical support content, or to learn about advanced features.

Language

Change the language of the display to either **English**, **Spanish**, or **French**.

Sound Level

Adjust the loudness of the end of cycle signal and button volume. Select either **High**, **Low**, or **Off**.

Wash/Dry Times

Toggling this feature **On** will enable the LCD to display the estimated time remaining for **Wash** and **Dry** separately in the color bar for **Wash** and **Dry**. The total estimated cycle time remaining for the cycle will always be shown in the main display.

WiFi

The factory setting for the WiFi is **Off**. You can turn it **On** or **Off** from the **Menu** or during the Welcome process when setting up your Combo. The WiFi feature allows you to set-up or reset your WiFi connection to the unit. It will indicate "Connected" if you have properly configured your Combo for your home network.

Getting started

Dispenser Drawers - Overview

Your Combo is equipped with two SmartDispense drawers. The top drawer can be used for the manual dosing of detergent, bleach and fabric softener. The rear compartment of the top drawer can store up to 50 oz of liquid detergent for SmartDispense detergent dosing. The bottom drawer is used for SmartDispense dosing of fabric softener and can store up to 32 oz of liquid softeners.

For every wash cycle, regardless of whether or not you activate SmartDispense on the controls, the manual compartments will be used and flushed with clean water. Therefore, if you plan to use Smart Dispense detergent and/or softener, you should not fill the detergent and/or softener manual compartments.

NOTE: Bleach, powder detergents and sanitizing rinse aids can only be dispensed manually.

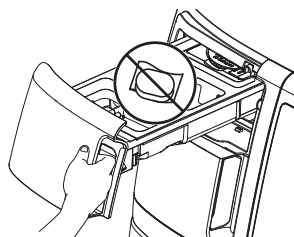
Dispenser Drawer

Slowly open the dispenser drawer by pulling it out until it stops. After adding laundry products, slowly close the dispenser drawer. Closing the drawer too quickly could result in early dispensing of the bleach, fabric softener or detergent.

You may see water in the detergent, bleach and fabric softener compartments at the end of the cycle. This is a result of the flushing/siphoning action and is part of the normal operation of the Combo.

DO NOT put detergent packets in the dispenser drawer.

NOTE: Use only liquid or powder HE detergents and additives in the dispenser drawer. Laundry detergent packets should only be added directly to the wash basket following the manufacturer's directions.



Use only HE High-Efficiency detergent



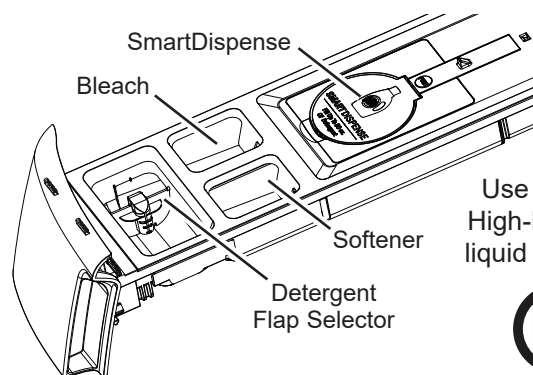
SmartDispense - Detergent

When selected, this feature will automatically add detergent to the wash, eliminating the need to add detergent for each load.

The detergent amount selection on the control panel will default to **AUTO** when first powering up the Combo. When **AUTO** is selected, the amount of detergent needed for each laundry load will automatically be determined based on the size of the load the machine senses.

For **AUTO**, the Combo will dispense approximately 1.5 oz of detergent for an 8 lb normal load. For other loads, it will adjust proportionally based on the size of load and garment type. If you select **LESS**, the amount of detergent will be reduced by 40% from the default **AUTO** level. This may be desired for higher concentrate detergents or if you have very soft water. For heavily soiled loads, you may want to select **MORE** to add 40% more detergent than the default **AUTO** level. You can set the brand/type of detergent in the SmartHQ App so that the Combo can make adjustments based on detergent manufacturers' recommendations. These manufacturers' settings will tailor the adjustments used for **AUTO**, **MORE** and **LESS** dosing amounts.

NOTE: Not all cycles will allow the use of the **SmartDispense - Detergent** feature. If the light is not illuminated and pressing the **SmartDispense - Detergent** button results in a beeping tone, then SmartDispense is not allowed for the cycle that has been selected. Detergent will need to be added directly to the detergent compartment for these cycles.



Use only HE High-Efficiency liquid detergent



If it is desired to manually add detergent for a particular load:

1. Press the **SmartDispense - Detergent** button on the control panel until its light turns off which indicates the **SmartDispense** feature has been turned off.
2. Set the flap in the detergent compartment to the type of detergent to be used - Powder or Liquid. See the **Detergent Compartment** section.
3. Add the desired amount of detergent into the detergent compartment.

If the display indicates that the SmartDispense tank is estimating there is insufficient detergent to wash a load, the LCD screen will warn you. The Combo can still run a cycle, but it is suggested that you add detergent in the manual detergent compartment or refill the SmartDispense tank.

Getting started

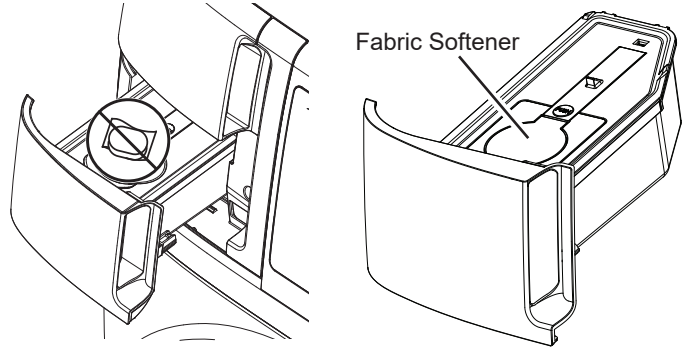
SmartDispense - Softener

When selected, this feature will automatically add fabric softener to the final rinse, eliminating the need to add fabric softener for each load.

The fabric softener amount selection on the control panel will default to **AUTO** when first powering up the Combo. When **AUTO** is selected, the amount of fabric softener needed for each laundry load will automatically be determined based on the size of the load the machine senses.

For **AUTO**, the Combo will dispense approximately .85 oz of fabric softener for an 8 lb normal load. For other loads, it will adjust proportionally based on the size of load and garment type. If you select **LESS**, the amount of fabric softener will be reduced by 10% - 20% from the default **AUTO** level. This may be desired for higher concentrate fabric softener or if you have very soft water. For heavily soiled loads, you may want to select **MORE** to add 20% more fabric softener than the default **AUTO** level. You can set the brand/type of fabric softener in the SmartHQ App so that the Combo can make adjustments based on fabric softener manufacturers' recommendations. These manufacturers' settings will tailor the adjustments used for **AUTO**, **MORE** and **LESS** dosing amounts.

NOTE: Not all cycles will allow the use of the **SmartDispense - Softener** feature. If the light is not illuminated and pressing the **SmartDispense - Softener** button results in a beeping tone, then SmartDispense is not allowed for the cycle that has been selected. Fabric softener will need to be added directly to the fabric softener compartment for these cycles.



If it is desired to manually add fabric softener for a particular load:

1. Press the **SmartDispense - Softener** button on the control panel until its light turns off which indicates the **SmartDispense - Softener** feature has been turned off.
2. Manually add the desired amount of fabric softener into the fabric softener compartment in the top **dispenser drawer**.

If the display indicates that the **SmartDispense - Softener** tank is estimating there is insufficient fabric softener to wash a load, the LCD screen will warn you. The Combo can still run a cycle, but it is suggested that you add fabric softener in the manual fabric softener compartment or refill the **SmartDispense - Softener** tank.

Do **NOT** put detergent packets in the **SmartDispense - Softener** drawer.

Use only liquid fabric softener in the **SmartDispense - Softener** drawer.

NOTE: Do not pour fabric softener directly on the wash load.

Getting started

Detergent Compartment - Manual Dose (Top Dispenser Drawer)

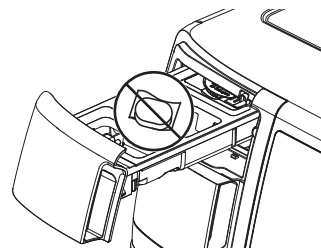
Only use high-efficiency detergent in this Combo. Do **NOT** fill high-efficiency detergent over the **MAX** line. Use detergent manufacturer's recommended amount.

- **Powder Detergent** – Lift the flap up for powder detergent. This must be done to dissolve and flush detergent properly. Follow the detergent manufacturer's instructions when measuring the amount of powder detergent to use.
- **Liquid Detergent** – Keep the flap down for liquid detergent. This retains the liquid detergent until it automatically flushes at the start of the cycle. Follow the detergent manufacturer's instructions when measuring the amount of liquid detergent to use.


Detergent usage may need to be adjusted for water temperature, water hardness, size and soil level of the load. Avoid using too much detergent in your Combo as it can lead to oversudsing, detergent residue being left on the clothes, and could extend wash times.

Do not put clumped detergent in the dispenser. Clumped detergent can cause a leak.

Do **NOT** put detergent packets in the dispenser drawer.



Liquid Bleach Compartment - Manual Dose (Top Dispenser Drawer)

If desired, measure out the recommended amount of liquid bleach, not to exceed 1/3 cup (80 ml) and pour into the compartment labeled "LIQUID BLEACH" marked with this symbol .

It is recommended to use High-Efficiency (HE) bleach in this front-load unit.

Do not exceed the maximum fill line. Overfilling can cause early dispensing of the bleach which could result in damaged clothes.

NOTE: Do not use powdered bleach or laundry detergent/additive packets in the dispenser.

Fabric Softener Compartment - Manual Dose (Top Dispenser Drawer)

If desired, pour the recommended amount of liquid fabric softener into the compartment labeled "FABRIC SOFTENER".

Use only liquid fabric softener in the dispenser.

Do not exceed the maximum fill line. Overfilling can cause early dispensing of the fabric softener, which could stain clothes.

NOTE: Do not pour fabric softener directly on the wash load.

NOTE: The fabric softener compartment will be siphoned in the final rinse of the wash cycle. This compartment can also be used to accommodate other liquid rinse aids such as sanitizers and fabric enhancing liquids. The use of these other products must be certified by the liquid manufacturer for safety in the use of a residential washing machine and combination washer/dryer. Please check carefully, as certain liquids may invalidate the warranty on your Combo.

Consumer Help Indicator

Your Combo is equipped with Consumer Help Indicator (CHI). CHI is our way to communicate a simple remedy for some situations that you can perform without the need to call for service. The chart below describes the helpful messages you may notice scrolling on your display when you return to start another load. These messages will provide simple remedies you can quickly perform.

<p>Spin light blinking</p>	<p>If an out-of-balance condition is detected by the Combo, the Spin light will blink during the remaining portion of the cycle and will stay illuminated for a short time after cycle completion. When this occurs, the Combo is taking actions to correct the out-of-balance condition and complete the cycle normally. In some cases, the Combo may not be able to balance the load and spin up to full speed. If you notice the load is more wet than normal at the end of the cycle, redistribute the load evenly in the wash basket and run a Drain & Spin cycle. (See Rinse & Dry cycle description in the Getting Started - Options section for details.)</p>
<p>“Confirm H2O Supply is ON” (Water not entering Combo)</p>	<p>Check your house water supply. Did you forget to turn on one or both supply valves after installation or coming back from vacation? As soon as the message appears to scroll, the Combo will initiate a 4 minute lock-out period. The Combo controls won’t respond/change during this time. After the 4 minutes, you can begin your cycle again. If you try to bypass the lock-out period by unplugging the Combo, the 4 minute timer will start over again.</p>
<p>“Cycle Canceled Draining”</p>	<p>“Cycle Canceled Draining” may show on the display if the machine was paused for longer than 24 hours or if the machine has stopped itself before the cycle completed due to certain errors. As soon as the message appears, the Combo will initiate a 4 minute lock-out period. The Combo controls won’t respond/change during this time. After the 4 minute period, you can begin your cycle again. If you try to bypass the lock-out period by unplugging the Combo, the 4 minute timer will start over again. If the problem persists, call GE Appliances at 800.GE.CARES (800.432.2737) for service.</p>
<p>“DOOR OPEN”</p>	<p>“DOOR OPEN” will be shown on the display if you try to start a cycle when the door is not fully closed. The Combo will not start another cycle until the door is fully closed.</p>
<p>“Check and Clean Drain Pump Filter”</p>	<p>“Check and Clean Drain Pump Filter” will display when the Combo detects a restriction in the drain area that is the result of items interfering with water drainage. See Care and Cleaning - Pump Filter section for more information.</p>

Appliance Communication

WiFi Connect

Your Combo is **GE Appliances WiFi Connect** enabled.

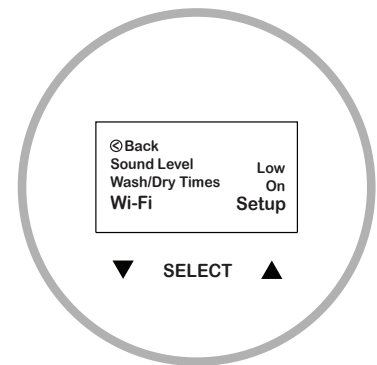
It is highly recommended that you connect your Combo to WiFi to download the latest software, receive periodic updates and benefit from many of the extended features available through the SmartHQ App. Many features for your Combo may require connection to the SmartHQ App.

Visit GEAppliances.com/connect and enter your model number to show you the proper steps to connect your appliance and to learn more about connected appliance features.

You may not need to know your MAC ID to initial connect your Combo to SmartHQ, but it can be found in the WiFi section of the Menu of your Combo.

WiFi Connectivity: For assistance with the appliance or the **ConnectPlus** network connectivity, please call GE Appliances at **800.220.6899**.

Scan here to get started.



Loading

Always follow fabric manufacturer's care label when laundering.

Sorting Wash Loads

Sort by color (whites, lights, colors), soil level, fabric type (sturdy cottons, easy care, delicates) and whether the fabric produces lint (terry cloth, chenille) or collects lint (velveteen, corduroy). Wash lint producers such as cotton towels and socks separate from lint collectors including synthetic garments and dress pants.

▲ WARNING  **- Fire Hazard**

DO NOT wash fabrics soiled with flammable liquids or cleaning solvents.

No washer can completely remove oil.

DO NOT dry anything that has been soaked in or spotted with any type of oil.

DO NOT reach into the unit until all moving parts have stopped.

Doing so can result in death, explosion, fire or amputation.

Loading the Combo

The wash drum may be fully loaded with loosely added items.

To add items after the Combo wash has started, press **Start/Pause** and wait until the door is unlatched. The Combo may take up to 20 seconds to unlock the door after pressing **Start/Pause**, depending on the machine conditions. Do not try to force open the door when it is locked. After the door unlocks, open gently. Add items, close the door and press **Start/Pause** to restart.

Load Type	Mixed Load*	Towels & Sheets	Delicates**	Work Wear	Small Load (2-5 items)
Suggested Cycle	NORMAL	TOWELS	DELICATES	JEANS	QUICK CYCLE
Load Contents	<div style="border: 1px solid black; padding: 5px;"> * 6 Dress Shirts 3 Dress Pants 3 Poly T-Shirts 3 T-shirts 4 Pairs of Shorts 6 Boxers </div> <p style="text-align: center;">OR</p> 6 T-shirts 4 Sweatpants 4 Sweatshirts 2 Hoodies 7 Pairs of Socks	4 Pillowcases 2 Hand Towels 2 Flat Sheets/ 2 Fitted Sheets 2 Bath Towels/ 4 Washcloths <p style="text-align: center;">OR</p> 2 Flat Queen-Sized Sheets 2 Fitted Queen-Sized Sheets 4 Pillowcases	7 Bras 7 Panties 3 Slips 2 Camisoles 4 Nightgowns <p>**Using a nylon mesh bag for small items is recommended.</p>	4 Jeans 5 Work Shirts 3 Work Pants	1 Pair Casual Pants 2 Casual Shirts <p style="text-align: center;">OR</p> 3 Soccer Uniforms

*Used as the representative consumer 10-lb. Mixed Load to estimate the total cycle time of about two hours for the **Normal Wash + Dry** cycle with **Eco Dry** On. Individual results may vary based on actual load contents.

Care and cleaning

⚠ WARNING

Sharp Edges – Although it is unnecessary to perform this type of maintenance, to reduce the risk of injury, use care when cleaning the condenser or evaporator coil fins.

Exterior

Immediately wipe off any spills. Wipe or dust spills or washing compounds with a damp cloth. Combo control panel and finishes may be damaged by some laundry pretreatment and stain remover products. Apply these products away from the Combo. The fabric may then be washed and dried normally. Damage to your Combo caused by these products is not covered by your warranty. Do not hit surface with sharp objects.

Interior

Clean around the Combo's door opening, flexible gasket (including attached hoses) and door glass. These areas should always be clean to ensure a watertight seal. It is recommended to wipe down the gasket thoroughly with a disinfecting wipe to remove lint and other debris. A **Self Clean** Cycle can also be run for this purpose.

Filter Compartment

Periodically clean inside the filter compartment by removing the filter frame. Use either a vacuum with a crevice tool attachment or the Appliance Brush Set (Part # **PM14X10056**). When cleaning, be careful not to damage or bend the fins of the evaporator which is just inside the area to the right of the opening.

The Appliance Brush Set can be ordered through **GEApplianceparts.com**.

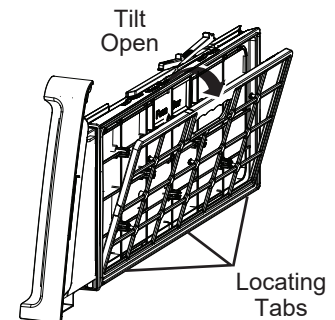
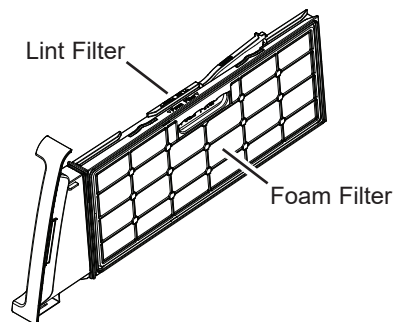
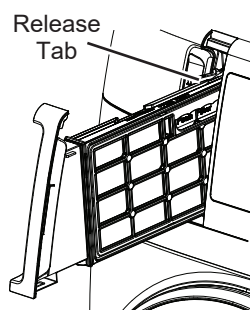
Filters

The filter compartment contains a two-stage housing consisting of a **Lint Filter** and a **Foam Filter**. To access the filters, slowly remove the filter frame from the Combo by pulling straight out and pressing on the tab to release.

Lint Filter: Clean the lint filter after every 5th dry cycle by running your fingers across it. A helpful reminder will show on the display. A waxy buildup may form on the lint filter from using fabric softener sheets. To remove this buildup, wash the lint filter in warm, soapy water. Dry thoroughly and replace.

Foam Filter: Clean the foam filter periodically (approximately every 50 cycles) or when notified by the Combo. Open the filter frame and remove the foam filter. Rinse filter and discard lint. Insert the foam filter back into the filter frame using the locating tabs for guidance. Ensure the filter is properly aligned in the frame.

NOTE: If the foam is torn or deformed do not reuse it. A replacement foam, part **WH01X35719**, can be ordered through **GEApplianceparts.com**.



Vacuum the lint from the filter frame and inside the filter opening if you notice a change in dryer performance.

Your Combo will suggest when to clean the lint filter and foam filter.

NEVER OPERATE THE COMBO WITHOUT ITS FILTERS IN PLACE.

Care and cleaning

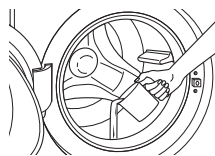
Self Clean

To clean the interior of the Combo, select the **SELF CLEAN** feature on the control panel. This **Self Clean** cycle should be performed, at a minimum, once per month or about every 40 cycles. This cycle will use more water, in addition to bleach which can be added as an option, to control the rate at which soils and detergents may accumulate in your Combo.



NOTE: Read the instructions below completely before starting **Self Clean** cycle.

1. Remove any garments or objects from the Combo and ensure the Combo's basket is empty.
2. Optional Step: Open the Combo door and pour one cup or 250 ml of liquid bleach or other washing machine cleaner into the basket.
3. Close the door and select the **SELF CLEAN** cycle. Push the **Start** button.
4. When the **Self Clean** cycle is working, the display will show the estimated cycle time remaining. The cycle will complete in about 50 minutes. Do not interrupt the cycle.



Following the **Self Clean**, the Combo will automatically run a 60 minute drying step to remove excess moisture from inside the Combo's interior. You can choose to cancel this drying step. Doing so will not impact the performance of **Self Clean**.

If for any reason the cycle needs to be interrupted, the door will not open immediately. Forcing open the door at this stage may cause water to flood. The door will open after the water is drained to a level where it would not flood the floor.

Self Clean may be interrupted by pressing the **Start/Pause** button during its operation. A power outage in the house might also interrupt the cycle. When the power supply is back, the **Self Clean** cycle resumes where it had stopped. When interrupted, be sure to run a complete **Self Clean** cycle before using the Combo. If the **Power** button is pressed during **Self Clean**, the cycle will be canceled.

IMPORTANT:

- Run **Self Clean** once a month.
- After the completion of a **Self Clean** cycle, the interior of your unit may have a strong "bleach smell" if you chose to use bleach to assist the **Self Clean**.
- It is recommended to run a **Rinse & Dry** or a light color load after the **Self Clean** cycle, if bleach was used.

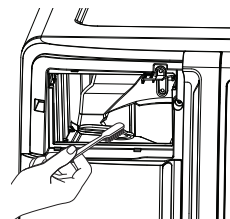
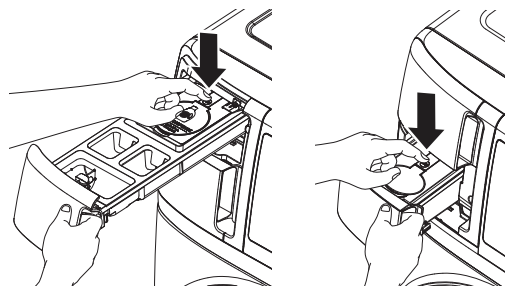
Dispenser & Softener Drawer Areas

Detergent and fabric softener may build up in the dispenser drawers. Residue should be removed once or twice a month.

Perform this effort for each of the two drawers:

- Remove the drawer by first pulling it out until it stops. Then reach back into the rear of the drawer cavity and press down firmly on the lock tab, pulling out the drawer.
- Rinse the drawer with hot water to remove traces of accumulated laundry products.
- To clean the drawer opening, use a small brush to clean the recess. Remove all residue from the upper and lower parts of the recess.
- Replace the dispenser drawer.
- To reduce buildup in the detergent drawer area:

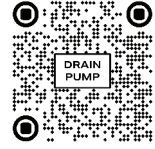
Use only HE
High-Efficiency
detergent



Care and cleaning

Pump Filter

Due to the nature of a front-load unit, it is sometimes possible for small articles to pass to the pump. The Combo has a filter to capture lost items and items that could cause clogs so they are not dumped into the drain. To retrieve lost items and to remove potentially trapped debris, clean out the pump filter.



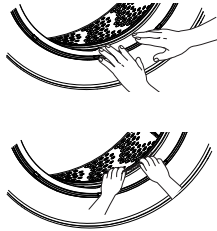
1. Using a small flathead screwdriver or coin, open the access door.
2. Place a shallow pan or dish under the pump access door and towels on the floor in front of the Combo to protect the floor. It is normal to catch about a cup of water when the filter is removed.
3. Pull down the pour spout.
4. Turn the pump filter counterclockwise and remove the filter slowly, controlling the flow of the draining water.
5. Remove the filter and clean the debris from the filter.
6. Replace the filter and turn clockwise. Tighten securely.
7. Flip up the pour spout.
8. Close the access door by hooking the bottom tabs first, then rotating the access door shut.



Door Gasket

Open the Combo door. Using both hands, press down the door gasket.

While holding down the door gasket, inspect the interior fold. Remove any foreign objects if found trapped inside this gasket.



Make sure there is nothing blocking the holes behind the gasket.

When you are finished cleaning the door gasket, release it and the gasket will return to the operating position.



NOTE: It is highly recommended that you run the **Self Clean** per those instructions to ensure that the gasket is cleaned as part of that maintenance step.

Water Supply Hoses

Periodically inspect all water inlet hoses for water leaks, wear, cuts, corrosion, and bulges. Replace all hoses immediately if any sign of these failures appear. All hoses should be replaced every 5 years of use to reduce risk of hose failures and possible water damage. When replacing hoses, refer to the Installation Instructions for proper installation. DO NOT overtighten or cross thread fittings. DO NOT allow the hose to rub against sharp objects, become kinked, or become over stretched. Always ensure hose rubber gaskets are installed and free from leaks when pressurized.

Moving and Storage

Ask the service technician to remove water from drain pump and hoses. Do not store the Combo where it will be exposed to the weather. When moving the Combo, the tub should be kept stationary by using the shipping bolts removed during installation. See Installation Instructions in this manual. If these parts are not available, they can be ordered by visiting our Website at GEApplianceparts.com or by calling GE Appliances at 877.959.8688. In Canada, visit your local GE Appliances parts distributor or call 800.661.1616 or GEAppliances.ca/en/products/parts-filters-accessories.

Long Vacations

If you expect to not use your Combo for an extended period of time, make sure water supply is shut off at faucets. You may want to drain water from the inlet hoses and drain the pump filter especially if weather will be below freezing.

Installation Instructions

Combo

If you have any questions, call GE Appliances at 800.GE.CARES (800.432.2737) or visit our Website at: GEAppliances.com
In Canada, call 800.561.3344 or visit GEAppliances.ca

BEFORE YOU BEGIN

Read these instructions completely and carefully.

- **IMPORTANT** — Save these instructions for local inspector's use.
- **IMPORTANT** — Observe all governing codes and ordinances.
- **Note to Installer** — Be sure to leave these instructions with the Consumer.
- **Note to Consumer** — Keep these instructions for future reference.
- **Skill level** — Installation of this appliance requires basic mechanical and electrical skills.
- **Completion time** — 1-3 hours
- Proper installation is the responsibility of the installer.
- Product failure due to improper installation is not covered under the Warranty.

LOCATION OF YOUR COMBO

DO NOT Install the Combo:

1. In an area exposed to dripping water or outside weather conditions. The ambient temperature should never be below 60°F (15.6°C) for proper Combo operation.
2. In an area where it will come in contact with curtains or drapes.
3. On carpet. The floor **MUST** be a hard surface with a maximum slope of 1/2" per foot (1.27 cm per 30 cm). To make sure the Combo does not vibrate or move, you may have to reinforce the floor.

NOTE: If floor is in poor condition, use 3/4" impregnated plywood sheet solidly attached to existing floor covering.

MOBILE HOME INSTALLATION:

Installation must conform to Standard for Mobile Homes, ANSI A119.1 and National Mobile Home Construction and Safety Standards Act of 1974 (PL93-383).

TOOLS REQUIRED

- Level
- Adjustable wrench



- Channel-lock adjustable pliers

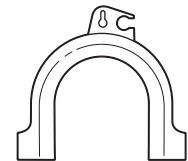
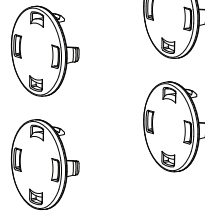


- Phillips screwdriver



PARTS SUPPLIED

- Shipping Bolt Covers (4)
- Drain Hose Guide



- Cable Tie



PARTS REQUIRED

- Water Hoses (2)
- Rubber Washers (2) and Filter Screens (2)



NOTE: Washers may be included in hoses.

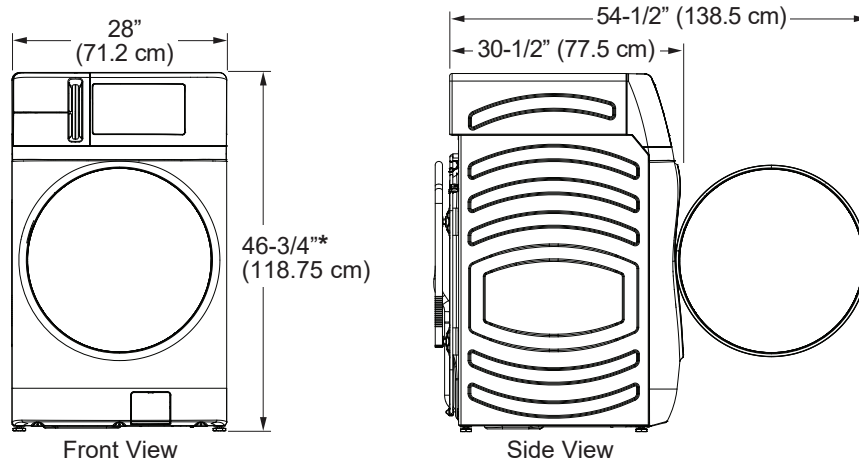
GE Appliances Parts and Accessories

Order on-line at GEApplianceparts.com today, 24 hours a day or by phone at 877.959.8688 during normal business hours. In Canada, visit your local GE Appliances parts distributor or call 800.661.1616 or GEAppliances.ca/en/products/parts-filters-accessories.

Part Number	Accessory
WX14X10011	6 ft stainless steel washer hoses with 90° elbows; 2-pack
WH1X2267	Hose Filter Screen (1)

Installation Instructions

COMBO DIMENSIONS

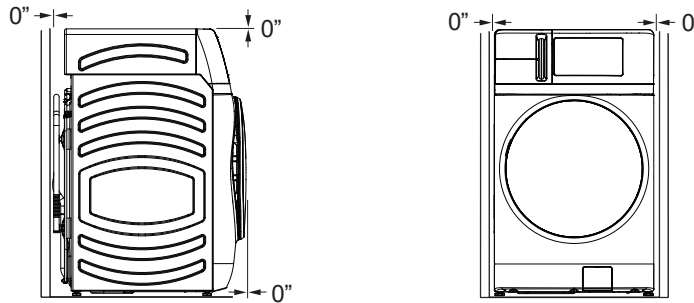


*With leveling legs retracted: 46-3/4 (118.75 cm). / With leveling legs fully extended: 47-1/4 (120 cm).

MINIMUM CLEARANCES

Alcove or Closet

- Rear = 0"*
- Sides = 0"
- Top = 0"
- Front = 0"

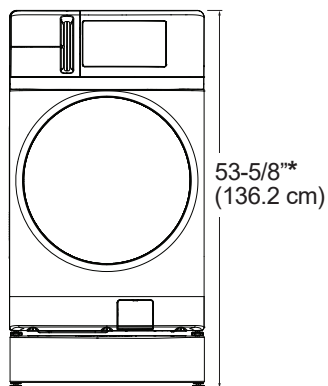


- Consideration must be given to provide adequate clearance for installation and service.
 - Closet doors must be louvered or otherwise ventilated and have at least 60 square inches (387.1 cm²) of open area.
- *To enable 0" clearance on the back of the Combo, you must use 90° elbow hoses. Otherwise you may require some additional clearance to avoid rubbing of the hoses against the back wall.

ACCESSORIES:

Order on-line at GEApplianceparts.com, 24 hours a day or by phone at **877.959.8688** during normal business hours.

Riser:



Part Number	Accessory
GFR0728PTDS	Black Slate Riser
WX14X10011	6 ft stainless steel washer hoses with 90° elbows; 2-pack
WH49X316	Unit drain hose extension kit - Approximately 44"
WH41X36697	Unicouple Hose Assembly for Clothes Washer
GFAPC120V (or equivalent)	4 Prong 240V to 110V Plug Converter
WX08X10070	4" Duct Vent Cap
PM14X10056	Appliance Brush Set
PM7X2	Universal low profile washer floor tray - White
GFR0728	28" width Riser without drawer NOTE: The 28" width tall pedestal with drawer is not advised for use with the Combo.

Follow the **Installation Instructions** included in the Kit for all clearances and installation requirements.

*With leveling legs retracted. See the **COMBO DIMENSIONS** section above for legs extension dimensions.

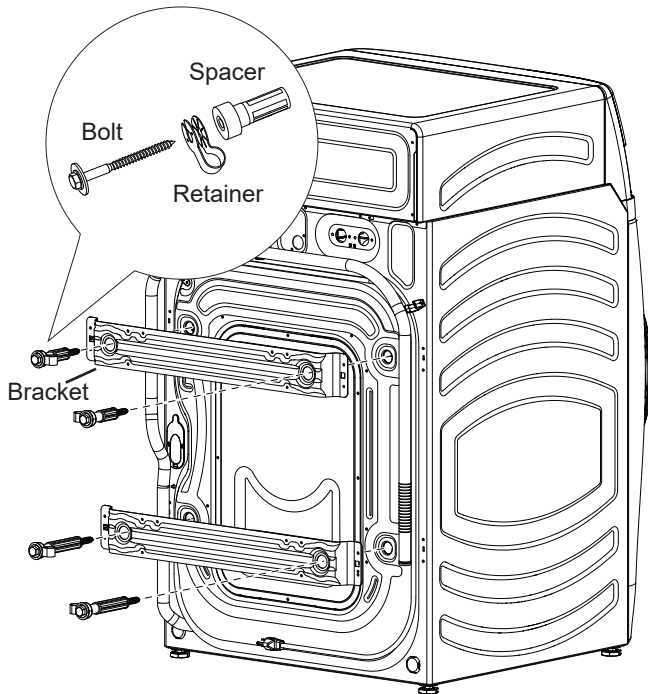
Installation Instructions

UNPACKING THE COMBO

▲ WARNING Recycle or destroy the carton and plastic bags after the Combo is unpacked. Make materials inaccessible to children. Children might use them for play. Cartons covered with rugs, bedspreads or plastic sheets can become airtight chambers causing suffocation.

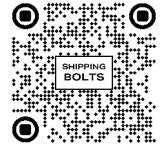
1. Cut and remove all packaging straps.
2. While it is in the carton, carefully lay the Combo on its side. DO NOT lay the Combo on its front or back.
3. Turn down the bottom flaps. Remove all base packaging including the styrofoam base.
4. Carefully return the Combo to an upright position and remove the carton by lifting it upward.
5. Carefully move the Combo to within 4 feet (122 cm) of the final location.
6. Remove the following from the back side of the Combo:
 - 4 bolts
 - 4 plastic spacers (including power cord retainers and rubber grommets)
 - 2 brackets and the screws fastening them to the Combo

NOTE: Do NOT remove the screw or clip holding the hose.

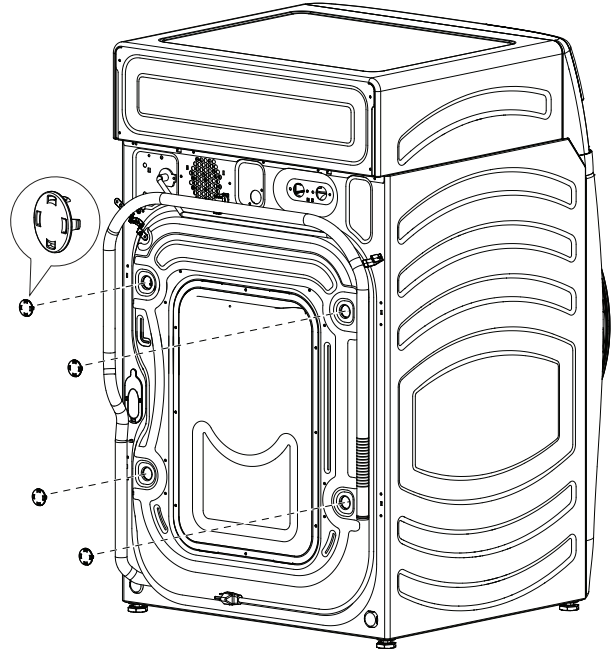


UNPACKING THE COMBO (cont.)

Watch this video for more step by step instructions on the importance of removing the shipping bolts before operating your Combo.



7. Insert shipping bolt hole covers into shipping bolt holes.



IMPORTANT:

- Failure to remove all shipping support hardware can cause the Combo to become severely unbalanced.
- Save all shipping support hardware for future use. If you must transport the Combo at a later date, you must reinstall the shipping bolts and spacers to prevent shipping damage. The brackets are not required and can be discarded.

NOTE: Consider recycling options for your appliance packaging material.

Installation Instructions

ELECTRICAL REQUIREMENTS

⚠ WARNING - Electrical Shock Hazard

Plug into a grounded 3-prong outlet.

DO NOT remove ground prong.

DO NOT use an adapter.

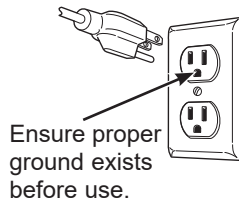
DO NOT use an extension cord.

Failure to follow these instructions can result in death, fire or electrical shock.

CIRCUIT – Individual, properly polarized and grounded 15 or 20 amp circuit breaker or time-delay fuse.

POWER SUPPLY – 2 wire plus ground, 120 Volt, single phase, 60 Hz, alternating current.

Outlet Receptacle – Properly grounded 3-prong receptacle to be located so the power cord is accessible when the Combo is in an installed position. If a 2-prong receptacle is present, it is the owner's responsibility to have a licensed electrician replace it with a properly grounded 3-prong grounding type receptacle.



Unit must be electrically grounded in accordance with local codes and ordinances, or in the absence of local codes, with latest edition of the NATIONAL ELECTRICAL CODE, ANSI/NFPA NO. 70 or CANADIAN ELECTRICAL CODE, CSA C22.1. Check with a licensed electrician if you are not sure that the Combo is properly grounded.

GROUNDING INSTRUCTIONS

This appliance must be grounded. In the event of malfunction or breakdown, grounding will reduce the risk of electric shock by providing a path of least resistance for electric current. This appliance is equipped with a cord having an equipment-grounding conductor and a grounding plug. The plug must be plugged into an appropriate outlet that is properly installed and grounded in accordance with all local codes and ordinances.

⚠ WARNING Improper connection of the equipment-grounding conductor can result in a risk of electrical shock. Check with a qualified electrician, or service representative or personnel, if you are in doubt as to whether the appliance is properly grounded. **DO NOT** modify the plug on the power supply cord. If it will not fit the outlet, have a proper outlet installed by a qualified electrician.

If required by local codes, an external 18 gauge or larger copper ground wire (not provided) may be added. Attach to Combo cabinet with a #10-16 x 1/2" sheet metal screw (available at any hardware store) to rear of Combo.

⚠ WARNING - Electrical Shock Hazard

Disconnect power supply before servicing.

Replace all parts and panels before operating.

Failure to do so can result in death or electrical shock.

⚠ WARNING - Shock Hazard

Certain internal parts are intentionally not grounded and may present a risk of electric shock only during servicing.

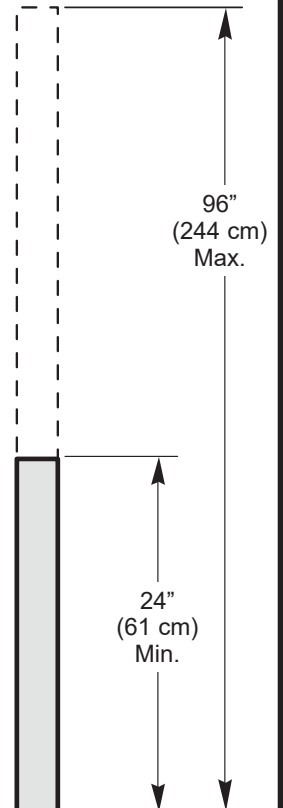
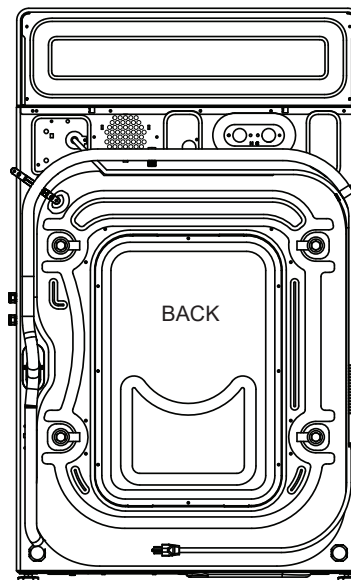
Service personnel – DO NOT contact the following parts while the appliance is energized: water valve, drain pump, NTC, door lock, inverter board, motor and MC board.

WATER SUPPLY REQUIREMENTS

The faucets **MUST** be 3/4" (1.9 cm) garden hose-type so inlet hoses can be connected. Water pressure **MUST** be between 10 and 120 pounds per square inch. Your water department can advise you of your water pressure. The hot water temperature should be set to deliver water at 120° to 140°F (48°–60°C) to provide proper Automatic Temperature Control (ATC) performance.

DRAIN REQUIREMENTS

1. Drain capable of eliminating 10 gallons (38 L) per minute.
2. A standpipe diameter of 1-1/4" (3.18 cm) minimum.
3. The standpipe height above the floor should be:
Minimum height: 24" (61 cm)
Maximum height: 96" (244 cm)



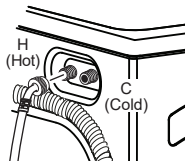
Installation Instructions

INSTALLING THE COMBO

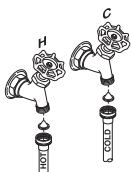
1. Run some water from the hot and cold faucets to flush the water lines and remove particles that might clog the inlet hose and water valve screens.

2. Remove the inlet hoses from the packaging.

3. (90° elbow end) Ensure there is a rubber washer in the 90° elbow end of the hoses. Reinstall the rubber washer into the hose fitting if it has fallen out during shipment. Carefully connect one inlet hose to the inside "H" outlet of the water valve. Tighten by hand, then tighten another 2/3 turn with pliers. Carefully connect the other inlet hose to the outside "C" outlet of the water valve. Tighten by hand, then tighten another 2/3 turn with pliers. **Do not crossthread or over-tighten these connections.**



4. If inlet hose screen washers are not already inserted into the inlet hoses, install them by inserting into the free ends of the HOT and COLD inlet hoses with protruded side facing the faucet.



5. Connect the inlet hose ends to the HOT and COLD water faucets tightly by hand, then tighten another 2/3 turn with pliers. Turn the water on and check for leaks.

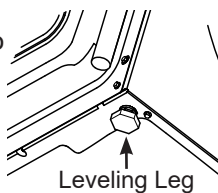
6. Carefully move the Combo to its final location. Gently rock the Combo into position. It is important not to damage the rubber leveling legs when moving your Combo to its final location. Damaged legs can increase Combo vibration. It may be helpful to spray window cleaner on the floor to help move your Combo into its final position.

NOTE: To reduce vibration, ensure that all four rubber leveling legs are firmly touching the floor. Push and pull on the back right and then back left of your Combo.

NOTE: Do not use the dispenser drawers or door to lift the Combo.

NOTE: If you are installing into a drain pan, you can use a 24-inch long 2x4 to lever the Combo into place.

7. With the Combo in its final position, place a level on top of the Combo (if the Combo is installed under a counter, the Combo should not be able to rock). Adjust the front leveling legs up or down to ensure the Combo is resting solidly. Turn the lock nuts on each leg up toward the base of the Combo and snug with a wrench.



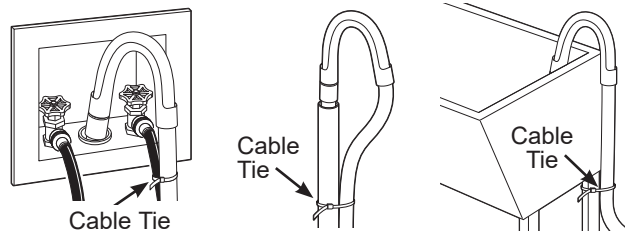
NOTE: Keep the leg extension at a minimum to prevent excessive vibration. The farther out the legs are extended, the more the Combo will vibrate.



If the floor is not level or is damaged, you may have to extend the rear leveling legs.

INSTALLING THE COMBO (cont.)

8. Attach U-shaped hose guide to the end of the drain hose. Place the hose in a laundry tub or standpipe and secure it with the cable tie provided in the enclosure package.



NOTE: Placing the drain hose too far down the drain pipe can cause a siphoning action. No more than 7" of hose should be in the drain pipe. There must be an air gap around the drain hose. A snug fit can cause a siphoning action.

9. Plug the power cord into a grounded outlet.

NOTE: Check to be sure the power is off at the circuit breaker/fuse box before plugging the power cord into an outlet.

10. Turn on the power at the circuit breaker/fuse box.

11. Read the rest of this Owner's Manual. It contains valuable and helpful information that will save you time and money.

12. **Before starting the Combo, check to make sure:**

- Main power is turned on.
- The Combo is plugged in.
- The water faucets are turned on.
- The Combo is level and all four leveling legs are firmly on the floor.
- The shipping support hardware is removed and saved.
- The drain hose is properly tied up.
- There are no leaks at the faucet, drain line or Combo.

13. Run the Combo through a complete cycle. Check for water leaks and proper operation.

14. If your Combo does not operate, please review the Before You Call For Service section before calling for service.

15. Place these instructions in a location near the Combo for future reference.

REPLACEMENT PARTS

If replacement parts are needed for your Combo, they can be ordered in the United States by visiting our Website at GEApplianceparts.com or by calling GE Appliances at 877.959.8688. In Canada, visit GEAppliances.ca/en/products/parts-filters-accessories or call 800.661.1616.

Troubleshooting Tips... Before you call for service

It is highly recommended that you connect your Combo to WiFi to download the latest software, receive periodic updates and benefit from many of the extended features available through the SmartHQ App. Many of the AI features for your Combo require connection to the SmartHQ App. This may resolve some issues listed below.

Problem	Possible Cause	What To Do
Not draining Not spinning Not tumbling	Load is out of balance	Redistribute clothes and run Rinse & Spin or Rinse & Dry . Increase load size if washing small load containing heavy and light items.
	Pump filter may be clogged	See the Care and Cleaning section on how to clean the Pump Filter .
	Drain hose is kinked or improperly connected	Straighten drain hose and make sure Combo is not sitting on it.
	Household drain may be clogged	Check household plumbing. You may need to call a plumber.
	Drain hose siphoning; drain hose pushed too far down the drain	Ensure there is an air gap between hose and drain. Also, ensure the drain hose is not inserted more than 7" into the drain pipe.
Leaking water	Door gasket is damaged	Check to see if gasket is seated and not torn. Objects (nails, screws, pens, pencils) left in pockets and clothes trapped between the door glass and the gasket may cause damage to the Combo. Water may drip from the door when the door is opened. This is a normal operation. Carefully wipe off rubber door seal and door glass. Sometimes dirt or clothing is left in this seal and can cause a small leak.
	Check back left of Combo for water	If this area is wet, you have oversudsing condition. Use less detergent.
	Fill hoses or drain hose is improperly connected	Make sure hose connections are tight at Combo and faucets and make sure end of drain hose is correctly inserted in and secured to drain facility.
	Household drain may be clogged	Check household plumbing. You may need to call a plumber.
	Dispenser clogged	Powder soap may cause clogs inside the dispenser and cause water to leak out the front of the dispenser. Remove drawer and clean both drawer and inside of dispenser box. Laundry detergent packets should NOT be used in the dispenser. They should only be added directly to the wash basket following the manufacturer's directions. Please refer to Care and Cleaning section.
	Incorrect use of detergent	Use only HE and correct amount of detergent.
	Dispenser box cracked	If new installation, check for crack on inside of dispenser box.
Clothes too wet	Load is out of balance	Redistribute clothes and run Rinse & Dry .
		Increase load size if washing small load containing heavy and light items.
		The machine will slow the spin speed down to 410 rpm if it has a hard time balancing the load. This speed is normal.
	Pump filter may be clogged	See the Care and Cleaning section on how to clean the Pump Filter .
	Overloading	The dry weight of the load should be less than 20 lbs.
	Drain hose is kinked or improperly connected	Straighten drain hose and make sure the Combo is not sitting on it.
	Household drain may be clogged	Check household plumbing. You may need to call a plumber.
Drain hose siphoning; drain hose pushed too far down the drain	Ensure there is an air gap between hose and drain. Also, ensure the drain hose is not inserted more than 7" into the drain pipe.	

Troubleshooting Tips... Before you call for service

Problem	Possible Cause	What To Do
Incomplete cycle or timer not advancing	Automatic load redistribution	Timer adds up to 3 minutes to cycle for each rebalance. 11 or 15 rebalances may be done. This is normal operation. Do nothing; the machine will finish the cycle.
	Pump filter may be clogged	See the Care and Cleaning section on how to clean the Pump Filter .
	Drain hose is kinked or improperly connected	Straighten drain hose and make sure the Combo is not sitting on it.
	Household drain may be clogged	Check household plumbing. You may need to call a plumber.
	Drain hose siphoning; drain hose pushed too far down the drain	Ensure there is an air gap between hose and drain. Also, ensure the drain hose is not inserted more than 7" into the drain pipe.
Loud or unusual noise; vibration or shaking	Cabinet moving	The Combo is designed to move 1/4" to reduce forces transmitted to the floor. This movement is normal.
	All rubber leveling legs are not firmly touching the floor	Push and pull on the back right and then front left of your Combo to check if it is level. If the Combo is uneven, or rocks excessively during operation, adjust the rubber leveling legs so they are all firmly touching the floor and the lock nuts are tightened to the base of the Combo.
	Unbalanced load	Pause the Combo, open door and manually redistribute load. To check machine, run rinse and spin with no load. If normal, unbalance was caused by load.
	Pump filter may be clogged	See the Care and Cleaning section on how to clean the Pump Filter .
No power/Combo not working or dead	The Combo is unplugged	Make sure cord is plugged securely into a working outlet.
	Water supply is turned off	Turn both hot and cold faucets fully on.
	Circuit breaker/fuse is tripped/blown	Check house circuit breakers/fuses. Replace fuses or reset breaker. The Combo should have a separate outlet.
	Automatic self system checks	First time the Combo is plugged in, automatic checks occur. It may take up to 20 seconds before you can use your Combo. This is normal operation.
"Confirm H2O Supply is ON" appears in display	Water not entering the Combo	See the Consumer Help Indicator section for details.
"Cycle Canceled Draining" appears in display	The Combo paused or stopped	See the Consumer Help Indicator section for details.
"DOOR OPEN" appears in display	Door not fully closed	See the Consumer Help Indicator section for details.
"Check and Clean Drain Pump Filter" appears in display	Restriction in the drain area	See the Consumer Help Indicator section for details.

Troubleshooting Tips... Before you call for service

Problem	Possible Cause	What To Do
Snags, holes, tears, rips or excessive wear	Overloaded	Do not exceed maximum recommended load sizes. See recommended maximum load sizes in the Loading section.
	Pens, pencils, nails, screws or other objects left in pockets	Remove loose items from pockets.
	Pins, snaps, hooks, sharp buttons, belt buckles, zippers and sharp objects left in pockets	Fasten snaps, hooks, buttons and zippers.
Control time wrong or changes	This is normal	During spin the Combo may need to rebalance the load sometimes to reduce vibrations. When this happens, the estimated time is increased causing time left to increase or jump. Also, in Sensor Dry , the time may be extended to allow sufficient time for the load to fully dry.
Not enough water	This is normal	Horizontal units do not require the tub to fill with water like top-load units.
Combo pauses or has to be restarted, or Combo door is locked and will not open	Pump filter may be clogged	See the Care and Cleaning section on how to clean the Pump Filter .
Door unlocks or press Start and machine doesn't operate	This is normal	Front-load units start up differently than top-load units, and it takes several seconds to check the system. The door will lock and unlock. The Combo also will run a Load Sense at the start before filling with water and commencing the wash portion of the cycle.
	Incorrect operation	Simply open and close the door firmly; then press Start .
	Control Lock On	Press and hold the Control Lock button for 3 seconds.
Water does not enter Combo or enters slowly	Automatic self system checks	After Start is pressed, the Combo does several system checks. Water will flow several seconds after Start is pressed.
	Water valve screens are clogged	Turn off the water source and remove the water connection hoses from the upper back of the Combo. Use a brush or toothpick to clean the screens in the machine. Reconnect the hoses and turn the water back on.
	Inlet hose screen washers are clogged	Turn off the water source and remove the inlet hoses from the wall faucets. Use a brush or toothpick to clean the screen washers in the end of the hoses. Reconnect the hoses and turn the water back on.
	Pump filter may be clogged	See the Care and Cleaning section on how to clean the Pump Filter .
	Fill hoses may be kinked	Check that fill hoses are not kinked or clogged.
	Water supply is turned off	Turn on both hot and cold faucets fully.
	Insufficient water supply	Make sure that the water supply is turned on. Make sure that the water faucets are turned to their completely open position.
	The Combo door is open	The Combo's door must be closed for all cycle operations. If the door is opened during the Combo's operation, all functions will stop, including water filling.
	Incorrect fill hose connection	Make sure that the fill hoses connect the hot water supply to the hot inlet on the Combo and the cold water supply to the cold inlet on the Combo (HOT to HOT and COLD to COLD).

Troubleshooting Tips... Before you call for service

Problem	Possible Cause	What To Do
Wrinkling	Improper sorting	Avoid mixing heavy items (like work clothes) with light items (like blouses).
	Overloading	Load your Combo so clothes have enough room to move freely.
	Incorrect cycle	Match cycle selection to the type of fabric you are washing (especially for easy care loads).
	Repeated washing in water that is too hot	Wash in warm or cold water.
Grayed or yellowed clothes	Not enough detergent	Use correct amount of detergent.
	Not using HE (high efficiency) detergent	Use only HE detergent.
	Hard water	Use hottest water safe for fabric.
		Use a water conditioner like Calgon brand or install a water softener.
	Water is not hot enough	Make sure water heater is delivering water at 120°–140°F (48°–60°C).
	Detergent is not dissolving or using too much fabric softener	Try a liquid HE detergent. Use less fabric softener.
Dye transfer	Sort clothes by color. If fabric label states wash separately, unstable dyes may be indicated.	
Colored spots	Incorrect use of fabric softener	Check fabric softener package for instructions and follow directions for using dispenser.
	Dye transfer	Sort whites or lightly colored items from dark colors.
		Promptly remove wash load from the Combo.
Water temperature is incorrect	Water supply is improperly connected	Make sure hoses are connected to correct faucets (HOT to HOT and COLD to COLD).
	House water heater is not set properly	Make sure house water heater is delivering water at 120°–140°F (48°–60°C).
Bad odor inside your Combo	Combo unused for a long time, not using HE detergents or using too much detergent	Regularly use a Dry cycle option.
		In case of strong odor, you may need to run the Self Clean cycle more than once.
		Use only the amount of detergent recommended or adjust SmartDispense to LOW .
		Use only HE (high efficiency) detergent.
		Always remove wet items from the Combo promptly after it stops running.
		If you choose to not use a Dry cycle option, leave the door slightly open for the Combo to air dry. Close supervision is necessary if this appliance is used by or near children. Do not allow children to play on or in this appliance.
	There is residual lint, etc. in the drain pump filter which should be cleaned	See the Care and Cleaning section on how to clean the Pump Filter .
Drain hose pushed too far down the drain	See the Installation Instructions section for proper installation.	
Detergent begins to slowly dispense into tub	This is normal	It is normal operation to see detergent leak on door gasket about 20 seconds after filling the dispenser. Ensure the dispenser drawer is fully closed.

Troubleshooting Tips... Before you call for service

Problem	Possible Cause	What To Do
Improper dispensing of softener or bleach	Dispenser clogged	Monthly clean the dispenser drawer to remove buildup of chemicals.
	Softener or bleach is filled above the max line	Make sure to have the correct amount of softener.
Dispenser drawer not dispensing properly	Laundry detergent packet placed in dispenser drawer	Laundry detergent packets should NOT be used in the dispenser. They should only be added directly to the wash basket following the manufacturer's directions.
Pump running while Combo is not in use	Clog in sump drain	Drain sump is detecting an undesired water fill level from a potential open faucet. Shut off water valve and inspect water valve for blockage. Ensure you have the latest updates for your Combo available through the SmartHQ App.
Clothes take too long to dry	Improper sorting	Separate heavy items from lightweight items (generally, a well-sorted washer load is a well-sorted dryer load).
	Large loads of heavy fabrics (like beach towels)	Large, heavy fabrics contain more moisture and take longer to dry. Separate large, heavy fabrics into smaller loads to speed drying time.
	Lint filter is full	Clean the lint filter after every 5th dry cycle.
	Eco Dry is OFF or More Dry is ON	By turning off Eco Dry and adding More Dry , the Combo will dry clothes to a higher dryness level than what may be required. Consider running with More Dry off. If you desire even shorter time you can turn Eco Dry on in the menu. You may need to find the best conditions for your acceptable dryness level.
Time Remaining changes or inconsistent dry times	The estimated time may change when the sensors detect that optimal dryness has not been met	The time remaining in drying adjusts based on humidity checks made by your smart Combo during the drying portion of the cycle. You may notice these adjustments at the start of drying, during drying or the final minutes of drying.
	Type of load and drying conditions	The load size, types of fabric, wetness of clothes and the length and condition of the exhaust system will affect drying times.
Clothes are still damp even though the Combo completed the cycle	The Combo was paused mid-cycle and never restarted	The door may have been opened mid-cycle and the cycle not restarted. A dry cycle must be re-selected to complete the drying process.
	Load was already dry except for collars and waistbands	Start a TIMED DRY to dry damp collars and waistbands. In the future, when drying a load with collars and waistbands, choose More Dry .
	This is normal	Because your Combo dries clothes at a consistent temperature in a sealed drum, they may not feel as dry or as warm on first touch. Just take them out and they will feel dry in a few seconds.
Clothes are wrinkled	Letting items sit in the Combo after cycle ends	Remove items when cycle ends and fold or hang immediately, or use the Wrinkle Care option.
	Overloading	Separate large loads into smaller ones. Load fewer garments; manually increase time.
Combo continues to tumble after display says Complete	Wrinkle Care was selected	Ensure Wrinkle Care option is not selected.
Water drips from door when opened	Some residual water from the dispenser drips down into the gasket	Water from the dispenser may drip down into the gasket when the door is first opened. This is normal. You may want to wait a few seconds before retrieving clothes.
Heat generated by the Combo	This is normal	Some heat is generated by the sealed system located at the top of the unit. This is normal operation.
Small items trapped in the door that do not dry	Items are plastered during high speed spin or get pushed between gasket and glass	Use a nylon mesh bag for small items that may become trapped between the door glass and gasket and do not fully dry.

GE Appliances Limited Warranty (For customers in the United States)

GEAppliances.com

All warranty service is provided by our Factory Service Centers, or an authorized Customer Care® technician. To schedule service online, visit us at GEAppliances.com/service, or call GE Appliances at 800.GE.CARES (800.432.2737). Please have your serial number and your model number available when calling for service.

Servicing your appliance may require the use of the onboard data port for diagnostics. This gives a GE Appliances factory service technician the ability to quickly diagnose any issues with your appliance and helps GE Appliances improve its products by providing GE Appliances with information on your appliance. If you do not want your appliance data to be sent to GE Appliances, please advise your technician not to submit the data to GE Appliances at the time of service.

For the period of:	We will replace:
One year From the date of the original purchase	Any part of the unit which fails due to a defect in materials or workmanship. During this limited one-year warranty , we will also provide, free of charge , all labor and related service to replace the defective part.
Five years From the date of the original purchase	The sealed heat pump drying system (compressor, condenser, evaporator and all connecting tubing) which fails due to a defect in materials or workmanship. During this additional four-year limited warranty , you will be responsible for any labor and related service costs.
Ten years From the date of the original purchase	The motor , if it should fail due to a defect in materials or workmanship. During this additional nine-year limited warranty , you will be responsible for any labor and related service costs.

Staple your receipt here. Proof of the original purchase date is needed to obtain service under the warranty.

What is not covered:

- Service trips to your home to teach you how to use the product.
- Improper installation, delivery or maintenance.
- Failure of the product if it is abused, misused, or used for other than the intended purpose or used commercially.
- Replacement of house fuses or resetting of circuit breakers.
- Products which are not defective or broken, or which are working as described in the Owner's Manual.
- Damage to the product caused by accident, fire, floods or acts of God.
- Incidental or consequential damage caused by possible defects with this appliance.
- Defects or damage due to operation in freezing temperatures.
- Damage caused after delivery.
- Product not accessible to provide required service.

EXCLUSION OF IMPLIED WARRANTIES

Your sole and exclusive remedy is product repair as provided in this Limited Warranty. Any implied warranties, including the implied warranties of merchantability or fitness for a particular purpose, are limited to one year or the shortest period allowed by law.

This limited warranty is extended to the original purchaser and any succeeding owner for products purchased for home use within the USA. If the product is located in an area where service by a GE Appliances Authorized Servicer is not available, you may be responsible for a trip charge or you may be required to bring the product to an Authorized GE Appliances Service location for service. In Alaska, the limited warranty excludes the cost of shipping or service calls to your home.

Some states do not allow the exclusion or limitation of incidental or consequential damages. This limited warranty gives you specific legal rights, and you may also have other rights which vary from state to state. To know what your legal rights are, consult your local or state consumer affairs office or your state's Attorney General.

Warrantor: GE Appliances, a Haier Company, Louisville, KY 40225

Extended Warranties: Purchase a GE Appliances extended warranty and learn about special discounts that are available while your warranty is still in effect. You can purchase it online anytime at

GEAppliances.com/extended-warranty

or call 800.626.2224 during normal business hours. GE Appliances Service will still be there after your warranty expires.

GE Appliances Limited Warranty (For customers in Canada)

LIMITED WARRANTY

GEAppliances.ca

All warranty service is provided by our Factory Service Centers, or an authorized Customer Care® technician. To schedule service online, visit us at GEAppliances.ca/after-sales-support, or call GE Appliances at 800.561.3344. Please have your serial number and your model number available when calling for service.

Servicing your appliance may require the use of the onboard data port for diagnostics. This gives a GE Appliances factory service technician the ability to quickly diagnose any issues with your appliance and helps GE Appliances improve its products by providing GE Appliances with information on your appliance. If you do not want your appliance data to be sent to GE Appliances, please advise your technician not to submit the data to GE Appliances at the time of service.

For the period of:	We will replace:
One year From the date of the original purchase	Any part of the unit which fails due to a defect in materials or workmanship. During this limited one-year warranty , we will also provide, free of charge , all labor and related service to replace the defective part.
Five years From the date of the original purchase	The sealed heat pump drying system (compressor, condenser, evaporator and all connecting tubing) which fails due to a defect in materials or workmanship. During this additional four-year limited warranty , you will be responsible for any labor and related service costs.
Ten years From the date of the original purchase	The motor , if it should fail due to a defect in materials or workmanship. During this additional nine-year limited warranty , you will be responsible for any labor and related service costs.

What is not covered:

- Service trips to your home to teach you how to use the product.
- Improper installation, delivery or maintenance.
- Failure of the product if it is abused, misused, or used for other than the intended purpose or used commercially.
- Replacement of house fuses or resetting of circuit breakers.
- Products which are not defective or broken, or which are working as described in the Owner's Manual.
- Damage to the product caused by accident, fire, floods or acts of God.
- Incidental or consequential damage caused by possible defects with this appliance.
- Defects or damage due to operation in freezing temperatures.
- Damage caused after delivery.
- Product not accessible to provide required service.

EXCLUSION OF IMPLIED WARRANTIES

Your sole and exclusive remedy is product repair as provided in this Limited Warranty. Any implied warranties, including the implied warranties of merchantability or fitness for a particular purpose, are limited to one year or the shortest period allowed by law.

This limited warranty is extended to the original purchaser and any succeeding owner for products purchased in Canada for home use within Canada. If the product is located in an area where service by a GE Appliances Authorized Servicer is not available, you may be responsible for a trip charge or you may be required to bring the product to an Authorized GE Appliances Service location.

Some provinces do not allow the exclusion or limitation of incidental or consequential damages. This limited warranty gives you specific legal rights, and you may also have other rights which vary from province to province. To know what your legal rights are, consult your local or provincial consumer affairs office.

Warrantor: MC Commercial Inc., Burlington, ON, L7R 5B6

Extended Warranties: Purchase a GE Appliances extended warranty and learn about special discounts that are available while your warranty is still in effect. You can purchase it online anytime at

GEAppliances.ca/purchase-extended-warranty

or call 866.277.9842 during normal business hours. GE Appliances Service will still be there after your warranty expires.

Staple your receipt here. Proof of the original purchase date is needed to obtain service under the warranty.

Consumer Support

GE Appliances Website

Have a question or need assistance with your appliance? Try the GE Appliances Website 24 hours a day, any day of the year! You can also shop for more great GE Appliances products and take advantage of all our on-line support services designed for your convenience. In the US: **GEAppliances.com**

In Canada: **GEAppliances.ca**

Register Your Appliance

Register your new appliance on-line at your convenience! Timely product registration will allow for enhanced communication and prompt service under the terms of your warranty, should the need arise. You may also mail in the pre-printed registration card included in the packing material. In the US: **GEAppliances.com/register**

In Canada: **GEAppliances.ca/after-sales-support**

Schedule Service

Expert GE Appliances repair service is only one step away from your door. Get on-line and schedule your service at your convenience any day of the year. In the US: **GEAppliances.com/service** or call 800.432.2737 during normal business hours.

In Canada: **GEAppliances.ca/after-sales-support** or call 800.561.3344.

Extended Warranties

Purchase a GE Appliances extended warranty and learn about special discounts that are available while your warranty is still in effect. You can purchase it on-line anytime. GE Appliances Services will still be there after your warranty expires. In the US: **GEAppliances.com/extended-warranty** or call 800.626.2224 during normal business hours.

In Canada: **GEAppliances.ca/purchase-extended-warranty** or call 866.277.9842.

Remote Connectivity

For assistance with wireless network connectivity (for models with remote enable), in the US visit our website at **GEAppliances.com/connect** or call 800.220.6899.

In Canada: **GEAppliances.ca/connected-appliances** or call 800.220.6899

Parts and Accessories

Individuals qualified to service their own appliances can have parts or accessories sent directly to their homes (VISA, MasterCard and Discover cards are accepted). Order on-line today 24 hours every day.

In the US: **GEApplianceparts.com** or by phone at 877.959.8688 during normal business hours.

In Canada: **GEAppliances.ca/parts-filters-accessories** or call 800.661.1616.

Instructions contained in this manual cover procedures to be performed by any user. Other servicing generally should be referred to qualified service personnel. Caution must be exercised, since improper servicing may cause unsafe operation.

Contact Us

If you are not satisfied with the service you receive from GE Appliances, contact us on our Website with all the details including your phone number, or write to:

In the US: General Manager, Customer Relations | GE Appliances, Appliance Park | Louisville, KY 40225
GEAppliances.com/contact or call 800.626.2000

In Canada: Director, Customer Relations | MC Commercial Inc. | Suite 300, 5420 North Service Road | Burlington, ON L7L 6C7
GEAppliances.ca/contact-us or call 877.994.5366



Laveuse à chargement frontal et sècheuse à pompe à chaleur **COMBINAISON**

- CONSIGNES DE SÉCURITÉ**2
- UTILISATION DE COMBO**
 - Comment démarrer 4
 - Indicateur d'aide au consommateur 17
 - Communication avec l'appareil..... 17
 - Chargement..... 18
- ENTRETIEN ET NETTOYAGE** 19
- INSTRUCTIONS D'INSTALLATION** 22
- CONSEILS DE DÉPANNAGE**27
- GARANTIE LIMITÉE**35
- SOUTIEN AU CONSOMMATEUR** 36

GUIDE DE L'UTILISATEUR ET INSTRUCTION D'INSTALLATION

PFQ97HS
FRANÇAIS

Inscrivez vos numéro de modèle et de série et votre identifiant MAC pour les modèles Wi-Fi ici :

Modèle # _____

Modèle # _____

Vous pouvez les trouver sur une étiquette sur le panneau avant sous le joint.

CONSIGNES DE SÉCURITÉ IMPORTANTES

LIRE TOUTES LES CONSIGNES AVANT D'UTILISER L'APPAREIL

⚠ AVERTISSEMENT

Pour réduire les risques de décès, d'incendie, d'explosion, de choc électrique ou de blessures lorsque vous utilisez votre appareil, suivez les mesures de sécurité de base, notamment :

- Lisez toutes les instructions avant d'utiliser l'appareil.
- Suivez toutes les instructions et avertissements de soin des tissus pour éviter que les vêtements fondent ou des dommages à l'appareil.
- **NE nettoyez et NE séchez PAS** d'articles qui ont été nettoyés, lavés, trempés ou tachés avec de l'essence, du solvant pour nettoyage à sec ou d'autres produits combustibles ou substances explosives, car ces derniers peuvent dégager des vapeurs qui pourraient s'enflammer ou exploser.
- **N'utilisez PAS** d'assouplissants ou de produits pour éliminer l'électricité statique, sauf si le fabricant de l'assouplissant ou du produit le recommande.
- **N'utilisez PAS** de consommables sauf si le fabricant du produit le recommande.
- **N'ajoutez PAS** de l'essence, du solvant pour nettoyage à sec ou d'autres produits combustibles ou substances explosives à l'eau de lavage. Ces substances peuvent dégager des vapeurs qui pourraient s'enflammer ou provoquer une explosion.
- **NE placez PAS** d'articles exposés aux huiles de cuisson dans cet appareil. Les articles souillés par les huiles de cuisson peuvent faciliter des réactions chimiques susceptibles d'enflammer une brassée. Pour réduire le risque d'incendie en raison de charges contaminées, la dernière partie du cycle de sèche-linge se produit sans chaleur (période de refroidissement). À la fin du cycle, la porte demeure verrouillée durant la période de refroidissement afin de vous protéger des surfaces qui deviennent très chaudes pendant le séchage. La période de refroidissement dure environ 10 minutes avant le déverrouillage de la porte.
- **NE sécher PAS** des articles qui contiennent du caoutchouc mousse ou des matières à texture caoutchouteuse similaire.
- Nettoyez le filtre à charpie tous les 5 cycles de séchage.
- **NE rangez PAS** de matières combustibles, de l'essence ni d'autres liquides inflammables à proximité de la appareil. Gardez la zone autour de l'admission d'air à l'avant de la appareil et tout l'espace adjacent libres de charpie, de poussière et de saletés.
- L'intérieur de l'appareil doit être nettoyé régulièrement par du personnel qualifié.
- **N'ajoutez PAS** de feuille d'assouplissant dans la machine avant ou pendant la partie lavage du cycle.
- **NE vaporisez AUCUN** type d'aérosol dans, sur ou à proximité de la appareil, et ce en tout temps. **N'utilisez AUCUN** type de nettoyant en vaporisateur lorsque vous nettoyez l'intérieur de la appareil. Cela poserait un risque de vapeurs dangereuses ou de choc électrique.
- Dans certaines conditions, de l'hydrogène peut se former dans un circuit d'eau chaude qui n'a pas été utilisé pendant deux semaines ou plus. L'HYDROGÈNE EST UN GAZ EXPLOSIF. Si le circuit d'eau chaude n'a pas été utilisé pendant une telle période, ouvrez tous les robinets d'eau chaude et laissez l'eau couler pendant plusieurs minutes avant d'utiliser votre appareil. Ainsi, l'hydrogène accumulé sera évacué du système. Ce gaz étant inflammable, **NE fumez PAS** et n'utilisez pas de flamme nue pendant cette opération.
- **NE laissez PAS** les enfants jouer sur ou à l'intérieur de cet appareil. La présence d'enfants près de cet appareil lorsqu'il est en marche doit faire l'objet d'une étroite supervision. Avant de mettre cet appareil au rebut ou hors service, retirez la porte ou le couvercle. Le non-respect de ces instructions peut entraîner le décès ou des blessures.
- **NE mettez PAS** la main dans l'appareil lorsque le tambour est en mouvement pour éviter d'être happé accidentellement.
- **N'installez** ou n'entreposez **PAS** cet appareil dans un endroit où il sera exposé aux intempéries.
- **NE modifiez PAS** les commandes, ne réparez ou ne remplacez pas de pièce de cet appareil et ne tentez pas d'effectuer une réparation, sauf si cette procédure est recommandée expressément dans les instructions d'entretien de l'utilisateur ou dans les instructions de réparation de l'utilisateur et que vous possédez les connaissances et les aptitudes requises pour le faire.
- **ABSTENEZ-VOUS** de grimper ou de vous tenir sur l'appareil.
- **N'utilisez PAS** cet appareil s'il est endommagé, s'il fonctionne mal, s'il est partiellement démonté ou si certaines de ses pièces manquent ou sont cassées (y compris le cordon d'alimentation ou la fiche).
- Débranchez l'appareil ou fermez son disjoncteur avant de procéder à l'entretien. Appuyer sur le bouton d'alimentation **Power** de l'appareil **NE** le déconnecte **PAS** de l'alimentation.
- Consultez la section sur le « EXIGENCES ÉLECTRIQUES » des instructions d'installation pour obtenir les procédures de mise à la terre.
- **N'utilisez PAS** de pièces de rechange qui n'ont pas été recommandées par le fabricant (p. ex., des pièces fabriquées à domicile à l'aide d'une imprimante 3D).

LIRE ET CONSERVEZ CES DIRECTIVES

CONSIGNES DE SÉCURITÉ IMPORTANTES

LIRE TOUTES LES CONSIGNES AVANT D'UTILISER L'APPAREIL

▲ AVERTISSEMENT

Bords tranchants – Bien qu'il ne soit pas nécessaire d'effectuer ce type d'entretien, pour réduire le risque de blessures, faites preuve de prudence lors du nettoyage des ailettes du condenseur ou du serpentin de l'évaporateur.

Mise au rebut adéquate de votre électroménager

- Veuillez jeter ou recycler votre électroménager conformément aux règlements fédéraux ou locaux. Communiquez avec les instances locales pour en savoir plus sur la mise au rebut ou le recyclage de votre électroménager.

INSTALLATION APPROPRIÉE

Cette appareil doit être installée conformément aux instructions d'installation avant d'être utilisée.

- Assurez-vous que le boyau d'eau chaude est raccordé au robinet « H » et que le boyau d'eau froide est raccordé au robinet « C ».
- Installez ou entreposez l'appareil à un endroit où il ne sera exposé ni à des températures en dessous du point de congélation ni aux intempéries; l'appareil pourrait subir des dommages permanents et la garantie serait annulée.
- Mettez l'appareil à la terre conformément aux codes et règlements en vigueur. La prise de courant doit être fournie par un disjoncteur individuel de 15 ou 20 A correctement polarisé et mis à la terre ou par un fusible temporisé. Suivez les instructions détaillées de la section « Instructions d'installation ».
- Veillez à ce que l'appareil soit bien de niveau et que les pieds soient correctement réglés pour que cet appareil soit stable.
- GE Appliances recommande fortement d'utiliser les pièces spécifiées du fabricant. Une liste de boyaux manufacturés disponibles pour l'achat est indiquée. Ces boyaux ont été fabriqués et testés afin de répondre aux spécifications de GE Appliances.
- GE Appliances recommande fortement d'utiliser de nouveaux boyaux d'alimentation en eau. Les boyaux se dégradent avec le temps et doivent être remplacés tous les cinq ans afin de réduire le risque de bris de boyau et de dégâts d'eau.
- Considérez les options de recyclage des matériaux d'emballage de votre électroménager.

SÉQUENCE DE VIDANGE AUTOMATIQUE

- L'appareil se vidangera automatiquement à chaque fois que la porte est laissé ouvert pour plus de 15 minutes et que de l'eau est présente.
- L'appareil se vidangera automatiquement s'il est laissé en état de pause avec porte fermé pour plus de 24 heures et que de l'eau est présente.

LORSQUE L'APPAREIL N'EST PAS UTILISÉ

- Fermez les robinets d'eau pour réduire les fuites en cas de tuyau cassé. Vérifiez l'état des tuyaux de remplissage. GE Appliances recommande de les remplacer tous les 5 ans.

PIÈCES ET ACCESSOIRES

Consultez votre annuaire local pour un détaillant de pièces autorisé ou appelez-nous au 800.661.1616 ou Electromenagersge.ca/fr/produits/filtres-et-accessoires.

No. de pièce	Accessoire	No. de pièce	Accessoire
WX14X10011	Flexibles de rondelle en acier inoxydable de 6 pieds avec coudes à 90°; Paquet de 2	WX08X10070	Bouchon d'évent de conduit de 4 po
WH49X316	Kit d'extension de tuyau de vidange de laveuse - Environ 44 po	PM14X10056	Ensemble de brosses pour cet appareil
WH41X36697	Assemblage de tuyau unicouple pour laveuse	PM7X2	Plateau de plancher universel pour laveuse à profil bas - Blanc
GFAPC120V (ou équivalent)	Convertisseur de fiche 240 V à 110 V à 4 broches	GFR0728	Élévateur de 28 po largeur sans tiroir

REMARQUE : Le piédestal haut de 28 po de largeur avec tiroir n'est pas recommandé pour une utilisation avec le Combo.

LIRE ET CONSERVEZ CES DIRECTIVES

Comment démarrer

Les caractéristiques et l'apparence de la cuisinière montrée dans ce manuel peuvent varier selon le modèle.

⚠ AVERTISSEMENT Pour réduire le risque d'incendie, de choc électrique ou de blessure, lisez les **CONSIGNES DE SÉCURITÉ IMPORTANTES** avant de faire fonctionner cet appareil.

🕒 Pas de brassée à transférer! Commencez une brassée de lavage avant le travail, avant d'aller au lit... ou n'importe quand!

Lorsque vous choisissez WASH + DRY (LAVAGE + SÉCHAGE), votre travail est terminé. Le Combo lavera et séchera vos vêtements en douceur en seulement quelques heures, afin que vous puissiez continuer à vaquer à vos occupations. Voilà, la lessive est chose faite.

📦 Les vêtements peuvent sembler un peu humides à la fin du cycle de séchage, mais ils sont vraiment secs!

Puisque votre Combo sèche les vêtements à basse température dans un tambour scellé, ils peuvent être légèrement humides ou chauds au premier toucher. Il suffit de les sortir et de les secouer et ils se sentiront secs en quelques secondes.

🕒 Lavez et séchez une brassée en seulement quelques heures. Les heures peuvent s'ajuster avant et pendant les cycles.

Votre Combo mémorise vos habitudes de brassée et les types de tissus que vous utilisez. Vous remarquerez peut-être que la durée totale du cycle s'ajustera pendant un cycle et d'une charge à l'autre en fonction de la taille de la charge, du niveau de saleté et de la rotation après le lavage.

📦 Un filtre à charpie double phases facile d'accès garantit un débit d'air à haute efficacité.

Le débit d'air filtré haute vitesse à recirculation permet au Combo d'offrir une excellente performance de séchage. Vous remarquerez que moins de charpies sont générées par le culbutage à l'air par rapport aux sècheuses standard. Recherchez des rappels pour nettoyer le filtre.

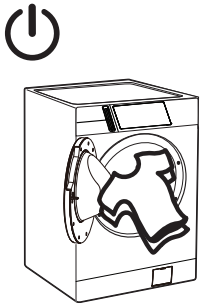
⚙ Facile à utiliser avec de nombreuses options! Explorez toutes les fonctions.

Aucun dégât avec le détergent et l'assouplissant : SmartDispense. Démarrez le Combo à partir de votre téléphone : **Remote Start** (Démarrage à distance). Augmentez le niveau de séchage de votre lessive : **More Dry** (Plus sec).

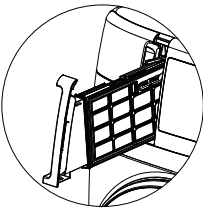
Réduit le froissement à la fin du cycle : **Wrinkle Care** (Anti-froissement).

¿No hablas inglés?: Cambiar **Language** en el **Menu**. Ajouter une feuille d'assouplissant : Wash Complete (Lavage complet) 🔔 vous avertit quand.


1 Mettez le Combo sous tension et chargez-le d'articles de lessive triés.



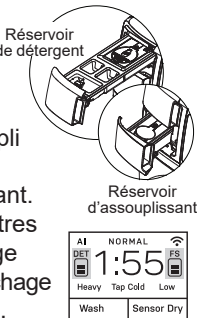
2 Vérifiez le filtre des deux côtés. Pour obtenir la meilleure efficacité de séchage, il est important de commencer avec un filtre propre.



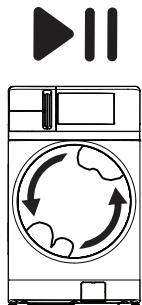
3 Sélectionnez un cycle Wash + Dry (Lavage et Séchage). Si vous le souhaitez, vous pouvez choisir d'exécuter un lavage ou un séchage seulement.




4 Dosez manuellement ou utilisez SmartDispense après avoir rempli de détergent et/ou d'assouplissant. Choisissez d'autres options de lavage (Wash) et de séchage (Dry), au besoin.



5 Lorsque vous êtes prêt, appuyez sur le bouton Start/Pause (Démarrer/Pause) et laissez le Combo faire le lavage et le séchage sans transfert de brassée.



6 Si vous le souhaitez, consultez l'application SmartHQ sur votre téléphone pour les notifications, pour ajuster les options, ajouter plus de temps de séchage ou pour en savoir plus sur le Combo.



Application SmartHQ activée

Plusieurs options de votre Combo connecté Wi-Fi sont disponibles via l'application SmartHQ.

Non seulement cette application vous permet de recevoir des mises à niveau et des mises à jour en direct du logiciel de votre Combo, mais elle déverrouille également des fonctionnalités spéciales pour votre Combo.



Comment démarrer

Affichage et voyants d'état

(Las características y apariencia variarán)









L'écran affiche les options de cycle sélectionnées, le temps restant approximatif jusqu'à la fin du cycle et l'état du cycle pour les modes **WASH** (Lavage) et **DRY** (Séchage) (PreWashing (Prélavage), Washing (Lavage), Rinsing (Rinçage), Spinning (Essorage), Drying (Séchage), Complete (Terminé)).

REMARQUE : La durée du cycle dépend du temps de remplissage requis du Combo, en fonction de la pression d'eau dans votre maison. La durée du cycle est également ajustée en fonction des rééquilibrages potentiels qui peuvent être nécessaires pour bien faire tourner la charge mouillée. Enfin, pour les cycles avec **DRY** (SÉCHAGE) ajouté, le Combo ajustera le temps de séchage pour obtenir la teneur finale en humidité désirée.

Si une condition de déséquilibre est détectée par le Combo, le voyant **Spin** d'état de l'essorage ou le voyant **Spin** de sélection de l'option d'essorage clignotera pendant le restant du cycle et restera allumé pendant une courte période de temps une fois le cycle terminé. Lorsque cela se produit, le Combo prend des mesures pour corriger la condition de déséquilibre et terminer le cycle normalement. Dans certains cas, il est possible que le Combo ne puisse pas être en mesure d'équilibrer la charge et essorer à pleine vitesse. Si vous remarquez que la brassée est plus humide que d'habitude à la fin de la partie lavage du cycle, répartissez la charge uniformément dans le panier de lavage et commencez un cycle **Rinse & Dry** (Rinçage & Sécher).

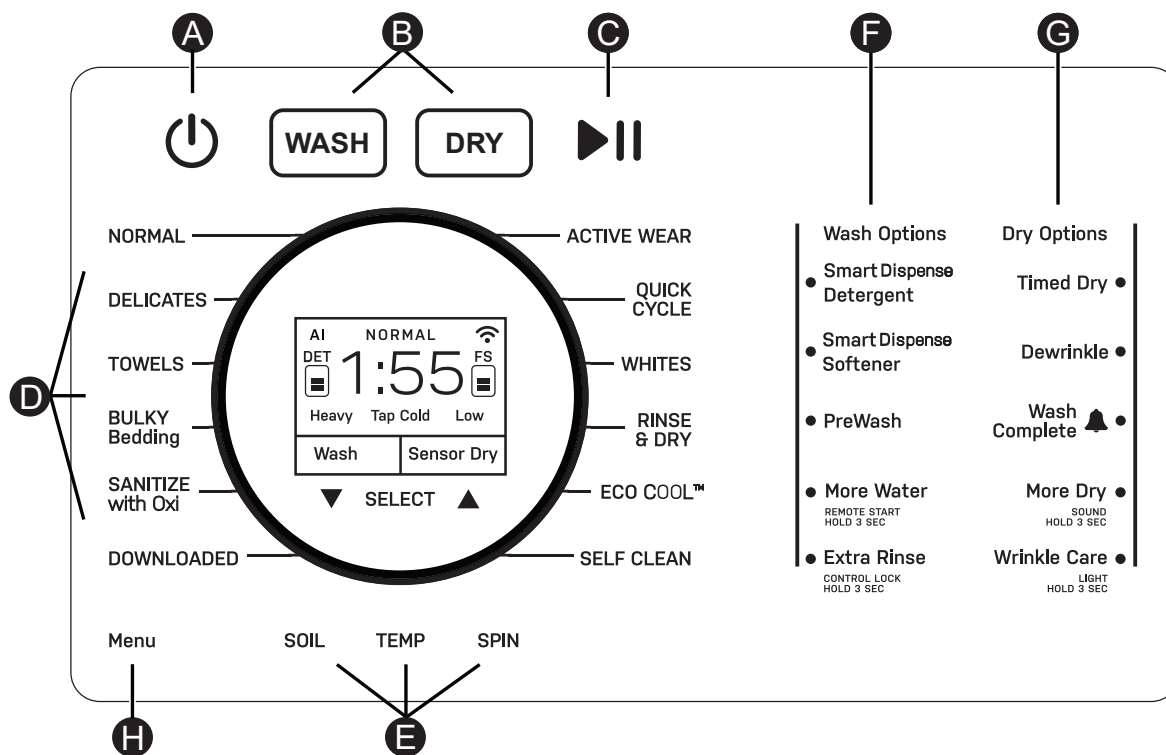
L'**ANNEAU LUMINEUX** affichera une seule DEL à côté du cycle que vous avez sélectionné jusqu'à ce que vous démarriez le cycle. Il affichera ensuite un compte à rebours représentatif du cycle total avec la moitié gauche en bleu qui détaille le cycle de lavage et la moitié droite en magenta qui détaille le cycle de séchage. De plus, l'**ANNEAU LUMINEUX** peut indiquer des actions pour vous rappeler d'effectuer l'entretien, montrer la fin du cycle de signal, la configuration du Wi-Fi ou des messages d'avertissement.

De plus, cet écran affiche :

 (WiFi)	Ce module permettra à votre électroménager de communiquer avec votre téléphone intelligent pour la surveillance, la commande et la réception d'avis à distance. Son voyant reste allumé chaque fois que le Combo est sous tension (ON) et connectée.
 Ctrl	Les commandes sur le Combo sont verrouillées lorsque cette icône est allumée. Vous devez maintenir une pression sur la touche Control Lock (Verrouillage des commandes) pour déverrouiller les commandes.
 Door	Cette icône s'allume quand la porte est verrouillée et clignote quand le Combo est à l'étape de pause suivie du déverrouillage.
	Cette icône indique que vous utilisez vos options MySettings (Mes réglages) pour le cycle sélectionné. MySettings (Vos réglages) pour un cycle peuvent être définis en choisissant un cycle, en sélectionnant vos options préférées, puis en appuyant de nouveau sur le nom du cycle et en le maintenant enfoncé. À l'avenir, sélectionnez simplement ce cycle et MySettings (Vos réglages) seront instantanément retrouvés. Si l'icône en forme de cœur contient les lettres « AI » à l'intérieur (AI), cela signifie que le Combo a automatiquement programmé les paramètres MySettings (Mes réglages) pour ce cycle particulier en fonction des options que vous avez choisies fréquemment.
	Le détergent sera automatiquement distribué à partir du distributeur de détergent SmartDispense selon le poids et le niveau de saleté des vêtements et la marque de produit sélectionnée. Vous pouvez régler cette fonction pour doser MORE (Plus) ou Less (Moins) de détergent ou DÉSACTIVER cette fonction pour effectuer un dosage manuel.
	Le détergent sera automatiquement distribué à partir du distributeur de détergent SmartDispense selon le poids et la marque de produit sélectionnée. Vous pouvez ajuster cette fonction pour MORE (Augmenter) ou LESS (Diminuer) la quantité d'assouplissant textile ou la DÉSACTIVER pour un dosage manuel.

Comment démarrer

Les caractéristiques et l'apparence varieront.



- A Power (alimentation)** - Appuyez pour activer l'affichage. Si l'affichage est actif, appuyez pour mettre l'Combo en mode d'attente « Off ».
REMARQUE : Vous ne débranchez pas votre appareil de l'alimentation électrique en appuyant sur **Power (alimentation)**.
- B WASH (Lavage) et DRY (Séchage)** - Par défaut, le Combo sélectionne un lavage et un séchage complets (**WASH** et **DRY**) pour chaque cycle. Vous pouvez choisir d'exécuter un **WASH** (Lavage) uniquement en désélectionnant le bouton **DRY** (Séchage). Vous pouvez choisir d'exécuter un cycle de **DRY** (Séchage) seul en désélectionnant le bouton **WASH** (Lavage). Si vous commencez un cycle de **WASH** (Lavage) seulement, vous pouvez toujours ajouter le mode **DRY** (Séchage) avant la fin du cycle.
- C Start/Pause (Départ/Pause)** - Appuyez pour mettre en marche un cycle. Si le Combo fonctionne, vous l'arrêtez en appuyant une fois et déverrouillez la porte. Après avoir appuyé sur **Pause** (Pause), il s'écoulera quelques secondes avant que la porte ne s'ouvre. Appuyez à nouveau pour remettre en marche le cycle.
REMARQUE : Si le Combo est mis en pause avec la porte ouverte et que le cycle n'est pas redémarré dans les 15 minutes, le cycle en cours sera annulé. Si le Combo est mis en pause avec la porte fermée et que le cycle n'est pas redémarré dans les 24 heures, le cycle en cours sera annulé. Dans les deux cas, le Combo vidangera l'eau de la cuve après l'annulation du cycle.
REMARQUE : Le Combo procède à des vérifications automatiques du système une fois que vous avez appuyé sur le bouton **Start** (Départ). L'eau se mettra à couler dans un délai de 45 secondes ou moins. Vous entendrez peut-être la porte se verrouiller et se déverrouiller et la pompe active avant que l'eau ne coule.
- D Cycles** - Les cycles sont conçus pour des catégories particulières de charges de lavage. Le tableau ci-dessous vous aidera à apparier les articles à laver avec les meilleurs réglages des cycles. Pour un rendement optimal, sélectionnez le cycle qui s'approche le plus des articles à laver. **Delay Start/Remote Start** est disponible pour tous les cycles.
 Lorsque **DRY** (Séchage) est également sélectionné, le Combo activera un séchage par capteur (Sensor Dry) à basse température pour les vêtements dans la brassée une fois qu'il aura terminé le cycle de lavage personnalisé. Le processus de séchage pour tous les cycles est similaire, car il ne s'agit que d'un fonctionnement **DRY** (Séchage) seulement.

Comment démarrer

D Cycles (Suite)

Enregistrer **My Settings** (mes options préférées de réglages) : Pour enregistrer les réglages de n'importe quel cycle, appuyez sur le nom du cycle et maintenez-le enfoncé après avoir ajusté le Combo aux options désirées et avant d'appuyer sur **Start** (Démarrer). Cela enregistrera vos réglages préférés et vous verrez une icône en forme de cœur dans le coin supérieur gauche de l'écran à ce moment-là et chaque fois que ce cycle sera sélectionné à l'avenir. Il s'agit maintenant de vos **My Settings** (réglages mémorisés) pour ce cycle, à moins que vous ne choisissiez de mémoriser de nouveaux réglages en appuyant de nouveau sur le nom de ce cycle et en le maintenant enfoncé.

Cycle	Articles Recommandés
Normal	Effectuer un cycle pour une utilisation normale, régulière ou typique pour laver ou sécher jusqu'à une pleine brassée de vêtements en coton normalement salis.
	<p>REMARQUE : La certification ENERGY STAR® de la laveuse est testée selon le cycle NORMAL - WASH (Lavage) (Lavage seulement) et le niveau de SOIL (saleté) normal par défaut.</p> <p>REMARQUE : La certification ENERGY STAR de la sècheuse est testée au cycle NORMAL - DRY (Séchage) (Séchage par capteur seulement) et Eco Dry (Séchage écoénergétique) désactivé par défaut.</p>
	<div style="display: flex; justify-content: space-around;"> <div style="border: 1px solid black; padding: 5px; text-align: center;"> <p>NORMAL</p> <p>Door</p> <p>1:55</p> <p>Heavy Tap Cold Low</p> <p>Wash Only</p> </div> <div style="border: 1px solid black; padding: 5px; text-align: center;"> <p>NORMAL</p> <p>Door</p> <p>1:55</p> <p>Sensor Dry Only</p> </div> </div> <p>REMARQUE : Les économies d'énergie varieront selon les charges et les cycles.</p>
Delicates (Déliçats)	Pour la lingerie et les tissus délicats avec degré de saleté léger à normal.
Towels (Serviettes)	Serviettes, draps, taies d'oreiller et lavettes.
Bulky Bedding (Lingerie volumineuse)	Couettes, grands manteaux, couvre-lits, couvre-matelas, sacs de couchage et articles volumineux similaires.
Sanitize with Oxi (Désinfection Oxi)	Articles grand teint très sales qui nécessitent une désinfection. Ne peut pas être utilisé avec les cycles Sensor Dry Only (Séchage par capteur uniquement) ou Timed Dry Only (Séchage minuté seul).
Downloaded	Utilisez l'application SmartHQ pour téléverser un cycle spécialisé pour votre appareil, comme pour les Power Clean (Nettoyage puissant), Jeans et les Swim Wear (Surcombinaisons de natation).
Active Wear (Tenue active)	Tenue athlétique légèrement à moyennement sale fabriquée de tissus techniques ou synthétiques.
Quick Cycle (Cycle rapide)	Pour les petites brassées d'articles légèrement sales dont on a besoin rapidement.
Whites (Blancs)	Vêtements blancs et linge de maison.
Rinse & Dry (Rinçage et sécher)	Pour les articles qui doivent uniquement être rincés et non lavés. Ce cycle vous donne deux versions lorsque Dry (Séchage) est sélectionné : Rinse & Dry (Rinçage et Séchage) ou Drain & Dry (Drainage et Séchage) (lorsque Extra Rinse (Rinçage supplémentaire) est désélectionné). Il vous donne deux versions supplémentaires lorsque Dry (Séchage) est désélectionné : Rinse & Spin (Rinçage et Essorage) ou Drain & Spin (Drainage et Essorage) (Extra Rinse (Rinçage supplémentaire) désélectionné). Un essorage est toujours effectué sauf si vous sélectionnez No Spin (Pas d'essorage).
Eco Cool (Lavage à froid)	Effectuez un cycle pour une utilisation normale, régulière ou typique pour laver jusqu'à une pleine brassée de vêtements en coton normalement salis en utilisant uniquement de l'eau froide, tout en bénéficiant d'une performance équivalente au lavage à l'eau chaude normal.
Downloaded	Utilisez l'application SmartHQ pour téléverser un cycle spécialisé pour votre Combo.
Power Clean (Nettoyage puissant)*	Pour les articles très sales qui nécessitent une puissance de nettoyage supplémentaire.
Jeans*	Jeans légèrement à moyennement sales.
Swim Wear (Vêtements de bain)*	Vêtements de bain légèrement à moyennement sales.
Air Fluff (Air froid)*	Fournit 15 minutes (jusqu'à 4 heures, si désiré) de temps de culbutage avec de l'air filtré recyclé et aucune chaleur.
Dewrinkle (Défroissage)	Un cycle conçu pour réduire le froissement d'une petite brassée qui est sèche ou légèrement humide.
Self Clean (Autonettoyage)	Nettoyage du panier pour éliminer les résidus et les odeurs. Aucun vêtement à laver avec ce cycle.

REMARQUES :

Les températures d'eau du cycle **SANITIZE With Oxi** (Désinfecter avec Oxi) NE SONT PAS modifiables. Ce cycle, utilisé avec un additif Oxi et du détergent, est conçu pour éliminer 99 % des bactéries présentes dans la blanchisserie domestique. Mesurez le détergent et les produits Oxi avec soin. Tout en utilisant les quantités appropriées pour une grande brassée très sale chargée dans une appareil à chargement frontal, suivez les instructions des étiquettes du détergent et du produit Oxi. L'alimentation d'eau chaude de le Combo doit atteindre un minimum de 120 °F pour assurer l'efficacité de ce cycle.

La partie **WASH (Lavage)** du cycle **SANITIZE with Oxi (Désinfection Oxi)** a été conçue et testée conformément au Protocole P172 de la NSF pour satisfaire les exigences d'efficacité de la désinfection.

*Disponible par cycles **Downloaded** (Téléchargés).

Le nom et la marque ENERGY STAR® sont des marques déposées appartenant à l'EPA des États-Unis.

Comment démarrer

D Cycles - Suite

Les cycles sont optimisés pour des catégories particulières de charges. Le tableau ci-dessous vous aidera à appairer les articles à laver avec les meilleurs réglages des cycles. Pour un rendement optimal, sélectionnez le cycle qui s'approche le plus des articles à laver. **Delay Start/Remote Start** est disponible pour tous les cycles.

		Cycles de lavage															
		Normal	Delicates (Délicats)	Towels (Serviettes)	Bulky Bedding (Literie volumineuse)	Active Wear (Tenue active)	Quick Cycle (Cycle rapide)	Whites (Blancs)	Rinse & Dry (Rinçage et sécher)	Eco Cool (Lavage à froid)	Power Clean* (Nettoyage puissant)	Jeans*	Swim Wear* (Maillots de bain)	Sanitize with Oxi † (Désinfection Oxi)	Air Fluff* † (Air froid)	Dewrinkle † (Défroissage)	Self Clean (Autonettoyage)
Paramètres de lavage	Niveau de saleté																
	Extra Heavy (Vraiment sale)	•		•	•	•		•		•	•	•	•	•			
	Heavy (Sale)	•		•	•	•		•		•	•	•	•	•			
	Normal (Normal)	•	•	•	•	•	•	•		•	•	•	•	•			
	Light (Peu sale)	•	•	•	•	•	•	•		•	•	•	•	•			
	Extra Light (Très peu sale)	•	•	•	•	•	•	•		•	•	•	•	•			
	Température de lavage																
	Extra Hot (Très chaude)	•							•						•		
	Hot (Chaude)	•	•		•				•		•			•			
	Warm (Tiède)	•	•	•	•	•	•	•			•	•	•	•			
	Cold (Froide)	•	•	•	•	•	•	•		•	•	•	•	•			
	Tap Cold (Froide du robinet)	•	•	•	•	•	•	•		•	•	•	•	•			
	Sélection d'essorage																
	Ex High (Max)	•		•	•			•	•	•	•	•	•		•		
	High (Rapide)	•		•	•			•	•	•	•	•	•		•		
	Medium (Modéré)	•	•	•	•	•	•	•	•	•	•	•	•	•	•		
	Low (Lent)		•	•	•	•	•	•	•	•	•	•	•	•	•		
	No Spin (Pas d'essorage)		•						•					•			
	Options de lavage																
	SmartDispense™ - Détergent	•	•	•	•	•	•	•	•		•	•	•	•	•		
SmartDispense™ - Adoucissant	•	•	•	•	•	•	•	•	•	•	•	•	•	•			
Prewash (Prélavage)	•	•	•	•	•	•	•	•		•	•	•	•	•			
More Water (Plus d'eau)	o	•	•	•	•	•	•	•	•			•	•				
Extra Rinse (Rinçage supplémentaire)	•	•	•	•	•	•	•	•	•	•	•	•	•	•			
Options de séchage																	
Sensor Dry (Détection de sécheresse)	•	•	•	•	•	•	•	•	•	•	•	•	•	•			
Timed Dry (Séchage minuté)	•	•	•	•	•	•	•	•	•	•	•	•	•	•	•	•	
Wash Complete (Lavage terminé)	•	•	•	•	•	•	•	•	•	•	•	•	•	•			
More Dry** (Plus Sec)	•	•	•	•	•	•	•	•	•	•	•	•	•	•			
Wrinkle Care (Antifroissement)	•	•	•	•	•	•	•	•	•	•	•	•	•	•	•	•	

T Ce cycle est destiné uniquement au nettoyage périodique du Combo. Voir la section Self Clean (Auto-nettoyage) pour plus d'informations

• Réglage disponible

Réglage par défaut en usine

* Disponible à partir des cycles Downloaded (Téléchargés).

o Offert avec le cycle **WASH + DRY** (Lavage et séchage), mais pas avec le cycle **WASH** (Lavage) seulement.

** Non disponible lorsque l'option **Timed Dry** (Séchage minuté) est sélectionnée.

† Disponible seulement avec les cycles **WASH + DRY** (Lavage et séchage) et **WASH** (Lavage). Non disponible avec **Sensor Dry Only (Séchage par capteur uniquement)** ou **Timed Dry Only (Séchage minuté seul)**.

‡ Cycle **Timed Dry Only** (Séchage minuté seul).

Comment démarrer

E Settings (Réglages)

On peut choisir des réglages précis allant du minimum au maximum pour le degré de saleté (**SOIL**), la température de l'eau (**TEMP**) et la vitesse d'essorage (**SPIN**). Les modifications apportées à l'aide de ces boutons sont affichées sur l'écran ACL juste en dessous de la durée du cycle. Ces réglages ne s'appliquent qu'aux portions de **WASH** (lavage) du cycle et n'ont aucun impact sur le séchage.

SOIL (Saleté)

En changeant le **SOIL level** (niveau de saleté), vous augmentez ou diminuez la durée de lavage pour enlever divers montants de saleté.

Pour changer le **SOIL level** (niveau de saleté), appuyez sur le bouton **SOIL level** (niveau de saleté) jusqu'au réglage désiré. Vous pouvez choisir entre **Extra Light** (très peu sale), **Light** (peu sale), **Normal** (normal) ou **Heavy SOIL** (vraiment sale) sur la plupart des cycles.

TEMP (Température)

Ajustez pour choisir la bonne température de l'eau pour le cycle.

Suivez l'étiquette du fabricant pour choisir la température de lavage.

Pour changer la température de lavage, appuyez sur le bouton **TEMP** (Température) jusqu'au réglage désiré. Vous pouvez choisir entre **Tap Cold** (Froide du robinet), **Cold** (Froide), **Warm** (Tiède), **Hot** (Chaude) ou **Extra Hot** (Très chaude) sur la plupart des cycles. Pour protéger les tissus, certains cycles ne donnent pas accès à toutes les températures de lavage. **Extra Hot** (Très chaude) utilisera de l'eau chaude à 100 % provenant de votre alimentation en eau. Le Combo ne chauffe pas l'eau.

Ces réglages ne s'appliquent qu'aux portions de **WASH** (lavage). Les réglages **TEMP** sélectionnent la température de l'eau pour le **WASH** (lavage) et ne modifient pas la température de l'air pour le **DRY** (Séchage).

L'eau de **PreWash** (Prélavage) de rinçage est toujours froide pour réduire l'utilisation d'énergie et diminuer la fixation des taches et les froissements.

REMARQUE : Pendant les dix premières secondes du remplissage, l'eau est toujours froide. Cela aide à conditionner les tissus et empêche la fixation des taches sur les vêtements.

SPIN (Essorage)

Le réglage de la vitesse **SPIN** (Essorage) modifie la vitesse de rotation finale de la partie lavage du cycle. Suivez toujours les instructions de l'étiquette du vêtement pour changer la **SPIN** (Vitesse d'essorage).

Pour changer la **SPIN** (Vitesse d'essorage), appuyez sur le bouton **SPIN** (Vitesse d'essorage) jusqu'au réglage désiré. Vous pouvez choisir entre **No Spin** (Pas d'essorage), **Low** (Lent), **Medium** (Modéré), **High** (Rapide) ou **Max**. Les vitesses d'essorage les plus rapides ne sont pas offertes pour certains cycles, comme le cycle **Delicates** (Déliçats) ou **Active Wear** (Tenue active). Les vitesses d'essorage plus rapides enlèvent plus d'eau des vêtements, et aident à réduire le temps de séchage, mais augmentent également la possibilité de froisser certains tissus.

REMARQUE : Le Combo continuera à effectuer un **SPIN** (Essorage) si le mode **DRY** (Séchage) est demandé lors d'un cycle de **WASH** (Lavage) au cours duquel **NO SPIN** (Pas d'essorage) est sélectionné.

REMARQUE : Cette Combo est équipée d'un système **dBt™ Dynamic Balancing Technology** (dBt™ Technologie d'équilibrage dynamique). Cette technologie de détection embarquée et brevetée procure un équilibrage en temps réel du cycle d'essorage pour chaque brassée, d'où une économie de temps et un lavage silencieux. Il devrait en résulter des durées de lavage plus constantes et une réduction générale du bruit et des vibrations. Si le Combo devait générer des bruits, des vibrations ou des secousses excessives, il suffit de mettre le Combo sur Pause, d'ouvrir la porte et de redistribuer la brassée manuellement avant de redémarrer le cycle.

Comment démarrer

F Options de lavage

SmartDispense™ (Distribution intelligente) - Détergent

Lorsque cette option est sélectionnée, elle ajoute automatiquement du détergent au lavage en fonction de la taille de la brassée, éliminant le besoin de l'ajouter pour chaque brassée. Appuyez plusieurs fois sur ce bouton pour passer par les niveaux de dosage **AUTO**, **MORE** (Plus) et **LESS** (Moins) (les niveaux visualisés sur l'écran ACL et le voyant DEL à côté du bouton seront allumés) et **OFF** (Éteint) (le niveau s'affiche sur l'écran ACL et le voyant DEL sera éteint). Le Combo est également doté de la fonction **Adaptive SmartDispense** par l'entremise de l'application SmartHQ. Grâce à cette amélioration, vous pouvez sélectionner le type de détergent spécifique et, en plus d'utiliser les renseignements sur la taille de la brassée, il ajustera le dosage en fonction des recommandations du fabricant du détergent. Voir la section **SmartDispense - Détergent** pour plus de détails.

SmartDispense™ (Distribution intelligente) - Adoucissant

Lorsque cette option est sélectionnée, elle ajoute automatiquement de l'assouplissant au rinçage final en fonction de la taille de la brassée, éliminant le besoin de l'ajouter pour chaque brassée. Appuyez plusieurs fois sur ce bouton pour passer par les niveaux de dosage **AUTO**, **MORE** (Plus) et **LESS** (Moins) (les niveaux visualisés sur l'écran ACL et le voyant DEL à côté du bouton seront allumés) et **OFF** (Éteint) (le niveau s'affiche sur l'écran ACL et le voyant DEL sera éteint). Le Combo est également doté de la fonction **Adaptive SmartDispense** par l'entremise de l'application SmartHQ. Grâce à cette amélioration, vous pouvez sélectionner le type d'adoucisseur spécifique et, en plus d'utiliser les renseignements sur la taille de la brassée, il ajustera le dosage en fonction des recommandations du fabricant de l'adoucisseur. Voir la section **SmartDispense - Adoucissant** pour plus de détails.

PreWash (Pré-lavage)

Prélavage est un lavage supplémentaire avant le lavage principal. Utilisez-le pour les vêtements très sales ou pour les vêtements dont l'étiquette recommande un prélavage avant le lavage.

REMARQUE : Le détergent du **PreWash (prélavage)** peut seulement être celui du réservoir de détergent **SmartDispense**. SmartDispense (distribution intelligente) vont automatiquement ajouter la quantité appropriée de détergent pour le prélavage en fonction de la taille de la brassée. Si vous choisissez de désélectionner le détergent **SmartDispense** pour utiliser une dose de détergent manuelle, le **PreWash** (Prélavage) ne peut pas être activé.

PreWash (Pré-lavage) doit être sélectionné avant d'appuyer sur **Start** (Marche).

La fonction de **PreWash** (Pré-lavage) déclenche les étapes suivantes : remplissage de le Combo (ajout du détersif de prélavage), culbutage des vêtements, évacuation et essorage. Ensuite, le Combo exécute le cycle sélectionné.

REMARQUE : Pour certains cycles spéciaux, **PreWash** (prélavage) est présélectionné par défaut. Vous pouvez annuler ce choix en tout temps. Le lavage principal utilisera un nouveau détergent provenant du compartiment de détergent manuel ou du réservoir **SmartDispense** si **SmartDispense** est sélectionné. Si vous l'activez, n'ajoutez pas de détergent supplémentaire.

More Water (Plus d'eau)

Cette option ajoute environ 3 gallons aux parties lavage et rinçage du cycle. Si vous sélectionnez l'option avant le démarrage du cycle, l'eau sera ajoutée à partir du début du cycle et plus tard au rinçage. Si vous sélectionnez l'option pendant l'étape du lavage, plus d'eau sera ajoutée à partir de ce moment et plus tard au rinçage. D'une façon similaire, si l'option **More Water** (Plus d'eau) est sélectionnée une fois l'étape du lavage terminée, le Combo ajoutera plus d'eau pour le rinçage seulement. Si le lavage et le rinçage sont terminés, la touche **More Water** (Plus d'eau) ne sera plus active.

Remote Start (Démarrage à distance)

Après avoir choisi le cycle et les options désirées, appuyez et maintenez enfoncé pendant 3 secondes le bouton **More Water/Remote Start** (Plus d'eau / Démarrage à distance) pour permettre au Combo de démarrer un cycle à partir de l'application SmartHQ. L'écran ACL affichera une boîte violette comme première séquence avant les opérations de LAVAGE bleu et/ou de SÉCHAGE magenta pour ce cycle pour indiquer que le Combo attendra votre commande pour commencer le cycle. Il est important d'appuyer sur le bouton **Start/Pause** (Démarrer / Pause) pour confirmer que vous voulez activer complètement le **Remote Start** (Démarrage à distance). Vous entendrez l'impulsion de la pompe de vidange deux fois et le verrouillage de la porte pour indiquer que le Combo est synchronisé avec l'application.

Pour annuler le **Remote Start** (Démarrage à distance), vous pouvez appuyer et maintenir enfoncé le bouton **More Water/Remote Start** (Plus d'eau / Démarrage à distance) une fois de plus ou éteindre le combo.

Le **Remote Start** (Démarrage à distance) peut également être lancé à partir du **Menu** (Menu) sous l'élément **Delay Start** (Démarrage différé) en l'activant à partir de là.

Extra Rinse (Rinçage supplémentaire)

Cette option procure un rinçage supplémentaire durant un cycle afin d'éliminer la saleté excédentaire et le détersif des brassées sales. Appuyez sur le bouton **Extra Rinse** (Rinçage supplémentaire) pour le sélectionner.

Comment démarrer

F Options de lavage (Suite)

Control Lock (Verrouillage de contrôle)

Vous pouvez verrouiller les contrôles pour empêcher tout choix de cycle, ou vous pouvez verrouiller les contrôles après avoir commencé un cycle. Les enfants ne peuvent pas mettre accidentellement en marche le Combo en appuyant sur des touches quand vous choisissez cette option.

Pour verrouiller/déverrouiller les contrôles de le Combo, appuyez sur le bouton **Control Lock** (Verrouillage de contrôle) bouton et tenez-la appuyée pendant 3 secondes. Il est accessible par le bouton Extra Rinse (Rinçage supplémentaire) avec cette action en appuyant longuement. Un son retentit pour indiquer l'état verrouillé/déverrouillé. L'icône de contrôle de verrouillage de l'affichage s'allume quand il est branché.

REMARQUE : Vous pouvez encore utiliser le bouton **Power** (Alimentation) quand **Control Lock** est verrouillée.

G Options de séchage

Timed Dry (Séchage minuté) (désactivation du Sensor Dry (Séchage par capteur))

Par défaut, le Combo utilisera toujours la fonction Sensor Dry (Séchage par capteur) chaque fois que le mode **DRY** (Séchage) est sélectionné dans le cadre d'un cycle. Sensor Dry (Séchage par capteur) met fin au cycle de séchage lorsque le Combo détecte que vos vêtements sont secs. Vous pouvez choisir plutôt de sélectionner un séchage minuté en sélectionnant l'option **Timed Dry** (Séchage minuté). **REMARQUE** : Puisque vous choisissez le temps de séchage exact, le cycle se terminera au moment prescrit, peu importe le niveau de séchage de votre brassée.

Utilisez les boutons ▲ et ▼ sous l'écran ACL pour régler les temps de séchage par incréments de 15 minutes. Des ajustements peuvent être effectués à tout moment pendant le cycle.

Dewrinkle (Défroissage)

La fonction **Dewrinkle** (Défroissage) est un cycle de **Timed Dry** (Séchage minuté) spécial de 35 minutes qui introduit une petite quantité de vapeur d'eau sur les vêtements et utilise de l'air température et à haute vitesse pour aider à défroisser les vêtements. Elle est conçue pour les brassées de 1 à 8 articles de vêtements de poids léger à moyen. Il y a peu d'avantages pour les grosses brassées.

Wash Complete 🔔 (Lavage terminé)

Pour recevoir une alerte sonore à la machine et par l'entremise de l'application SmartHQ (si connectée) lorsque la partie **WASH** (Lavage) du cycle est terminée et avant de passer à la partie **DRY** (Séchage), sélectionnez la fonction **Wash Complete** 🔔 (Lavage terminé). Cette fonction vous permet de vérifier la charge, de retirer certains articles ou d'ajouter une feuille d'assouplissant avant le début de la partie séchage du cycle. La machine procédera directement au séchage dans les quelques minutes suivant l'activation de cette alerte, que vous choisissiez de mettre en pause et de redémarrer le cycle.

More Dry (Plus sec)

Sélectionnez cette option pour prolonger le temps de séchage de 20 minutes à la fin du séchage par capteur (Sensor Dry) afin d'obtenir un degré de séchage plus élevé pour la brassée. Cette option peut être mémorisée dans **My Settings** (Mes Réglages) pour chaque cycle si vous préférez ce niveau de séchage.

Sound (Sonore)

Vous pouvez **ON** (Activer) et **OFF** (Désactiver) les tonalités des boutons et les sons des voyants en appuyant sur le bouton **More Dry/Sound** (Plus sec / Sonore) pendant 3 secondes. Le niveau **Sound** (Sonore) peut être ajusté à partir du **Menu** (Menu).

Wrinkle Care (Anti-froissement)

Sélectionnez cette option pour culbuter les vêtements à la fin d'un cycle. Pour un cycle de **WASH** (Lavage) seulement, les vêtements culbuteront de façon intermittente pendant une période de 8 heures pour garder les vêtements plus frais et moins sujets au froissement. Pour un cycle **WASH** (Lavage) et **DRY** (Séchage) ou **DRY** (Séchage) seulement, **Wrinkle Care** (Antifroissement) fera culbuter les vêtements par intermittence sans chaleur pendant huit heures pour garder les vêtements plus frais et moins susceptibles de se froisser.

Pendant que le Combo fonctionne dans ce mode, vous pouvez soit **OFF** (éteindre) ou mettre la machine en **Pause** pour déverrouiller la porte et retirer les vêtements. Cependant, vous ne pouvez pas recommencer **Wrinkle Care** (Anti-froissement) après avoir pris ces mesures.

Light (Voyant de Panier)

Le voyant de panier s'allume et reste allumé pendant 5 minutes lorsque la porte s'ouvre ou lorsque vous appuyez sur le bouton **Light** (Lumière) et le maintenez enfoncé pendant 3 secondes.

Pour accéder au bouton **Light** (Lumière), appuyez sur le bouton **Wrinkle Care** (Anti-froissement) et maintenez-le enfoncé pendant 3 secondes. Appuyez sur n'importe quel bouton pendant le cycle pour allumer temporairement la lumière du panier pendant 30 secondes.

Comment démarrer

H Options du menu

⊙ Back	
Detergent	Good
Softener	Good
AI Active	On
Animations	On
Brightness	High
Delay Start	⊙
Eco Dry	Off
Help	⊙
Language	English
Sound Level	Low
Wash/Dry Times	On
Wi-Fi	Connected

Détergent

L'état du niveau du réservoir de **Détergent - SmartDispense** s'affiche. Les options d'état sont **Good** (Bon), **Low** (Faible) ou **Empty** (Vide). Si l'état est **Low** (Faible), le nombre estimé de brassées restantes avant qu'il soit **Empty** (vide) est affiché.

Softener (Assouplissant)

Affiche l'état du niveau du réservoir **D'assouplissant - SmartDispense**. Les options d'état sont **Good** (Bon), **Low** (Faible) ou **Empty** (Vide). Si l'état est **Low** (Faible), le nombre estimé de brassées restantes avant qu'il soit **Empty** (Vide) est affiché.

AI Active (IA active)

Activez cette fonction pour activer certaines fonctions d'IA, comme **Adaptive MySettings** (Mes réglages), ou au fur et à mesure que d'autres fonctions d'IA deviennent disponibles. **Adaptive MySettings** (Mes réglages) apprendra vos habitudes de lessive et créera automatiquement **MySettings** (Mes réglages) pour les cycles et les options que vous utilisez fréquemment. La désactivation de cette fonction permettra uniquement de créer manuellement des paramètres **MySettings** (Mes réglages) dans des occurrences futures.

Animations

Activez ou désactivez les animations de l'écran d'accueil et de fermeture du GE Profile.

Brightness (Luminosité)

Réglez la luminosité de l'écran. Sélectionnez **High** (Élevée), **Medium** (Moyenne) ou **Low** (Faible).

Delay Start (Démarrage différé)

Sélectionnez pour retarder le début d'un cycle de lavage jusqu'à 24 heures ou Remote Start (Démarrage à distance) à partir de votre téléphone intelligent en utilisant l'application SmartHQ et en activant la fonction **Time Delay/Remote Start** (Délai/Démarrage à distance).

- **Time Delay (Délai)** : Sélectionnez **Time Delay** (Délai) pour retarder le début d'un cycle jusqu'à 24 heures. Utilisez les flèches pour régler les heures de délai, puis appuyez sur **Select** (Sélectionner) pour régler. Utilisez les flèches pour régler les minutes de délai en tranches de 15 minutes puis appuyez sur **Select** (Sélectionner) pour régler. Le délai souhaité s'affichera. Sélectionnez **Time Delay** (Délai) de nouveau pour désactiver.
- **Remote Start (Démarrage à distance)** : Si vous avez connecté votre Combo au Wi-Fi, vous pouvez activer le démarrage à distance de votre laveuse à partir de l'application pour téléphone intelligent GE Appliances. Utilisez cette option pour activer ou désactiver la fonction. Cette fonction peut également être activée directement en utilisant le bouton **More Water/Remote Start** (Plus d'eau / Démarrage à distance) sur le panneau de commande.

Eco Dry (Séchage écoénergétique)

Activez (On) cette fonction à partir du menu pour réduire la durée totale du cycle afin d'utiliser moins d'énergie lors du séchage. L'activation (On) de cette fonction rendra vos articles moins secs à la fin du cycle que lorsque cette fonction est désactivée (Off). Par défaut, cette fonction est désactivée (Off).

Comment démarrer

H Options du menu (suite)

Help (Aide)

Ouvrez ce sous-menu pour obtenir des renseignements et afficher des codes QR pour accéder à la documentation sur les produits ou au contenu de l'assistance technique en ligne, ou pour en savoir plus sur les fonctions avancées.

Language (Langue)

Changez la langue de l'affichage à **English** (Anglais), **Spanish** (Espagnol) ou **French** (Français).

Sound Level (Niveau sonore)

Réglez le niveau de volume du signal de fin de cycle et celui du bouton. Sélectionnez **High** (Élevé), **Low** (Bas) ou **Off** (Désactivé).

Wash/Dry Times (Durées de lavage/séchage)

L'activation de cette fonction permettra à l'écran ACL d'afficher séparément le temps restant estimé pour le **Wash** (Lavage) et le **Dry** (Séchage) dans la barre de couleurs pour le **Wash** (Lavage) et le **Dry** (Séchage). Le temps de cycle estimé restant pour le cycle sera toujours affiché sur l'écran principal.

WiFi

Le réglage de l'usine pour le Wi-Fi est **Off** (Désactivé). Vous pouvez **l'activer** ou le **désactiver** à depuis le menu ou pendant le processus de bienvenue lorsque vous configurez votre Combo. La fonction Wi-Fi vous permet de configurer ou de réinitialiser votre connexion Wi-Fi à l'appareil. Le mot « Connected » (connecté) apparaîtra si vous avez correctement configuré votre Combo sur votre réseau domestique.

Comment démarrer

Tiroirs de distributeur - Aperçu

Votre Combo est équipé de deux tiroirs SmartDispense. Le tiroir supérieur peut être utilisé pour le dosage manuel du détergent, de l'eau de Javel et de l'assouplissant textile. Le compartiment arrière du tiroir supérieur peut contenir jusqu'à 50 oz de détergent liquide pour le dosage du détergent SmartDispense. Le tiroir inférieur est utilisé pour le dosage SmartDispense de l'assouplissant textile et peut contenir jusqu'à 32 oz d'assouplissant liquide.

Pour chaque cycle de lavage, que vous activez ou non SmartDispense sur les commandes, les compartiments manuels seront utilisés et rincés à l'eau propre. Par conséquent, si vous prévoyez utiliser le détergent et/ou l'assouplissant Smart Dispense, vous ne devez pas remplir les compartiments manuels de détergent et/ou d'assouplissant.

REMARQUE : Le javellisant, les détergents en poudre et les agents de rinçage désinfectants ne peuvent être distribués que manuellement.

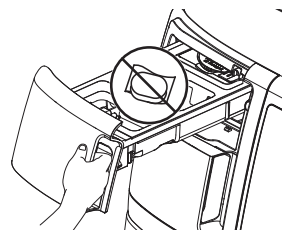
Tiroir distributeur

Ouvrez lentement le tiroir distributeur en le tirant jusqu'à son arrêt final. Après avoir ajouté vos produits de lavage, fermez lentement le tiroir distributeur. Si vous fermez le tiroir trop vite, vous risquez de distribuer l'eau de Javel, l'adoucissant ou le détergent trop tôt.

Vous pouvez voir de l'eau dans les compartiments d'eau de détergent, javel et d'adoucissant à la fin du cycle. C'est occasionné par l'action de vidange/siphonnage et cela fait partie du fonctionnement normal de le Combo.

NE mettez PAS de sachets de détersif dans le tiroir distributeur.

REMARQUE : Utilisez seulement des détersifs liquides ou en poudre haute efficacité dans le tiroir distributeur. Les sachets de détersifs doivent être ajoutés directement dans la cuve de lavage, conformément aux directives du fabricant.



Utilisez seulement le détergent à haute efficacité HE.



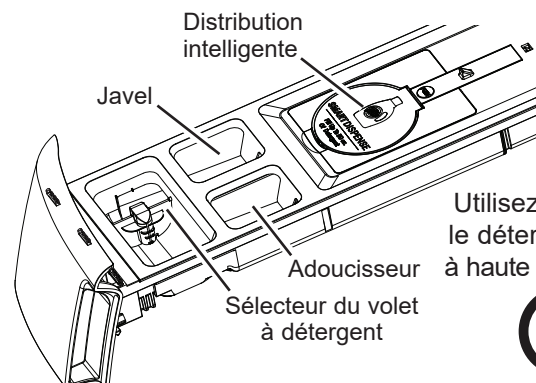
SmartDispense - Détergent

Cette fonction ajoute automatiquement du détergent au lavage, éliminant le besoin de l'ajouter pour chaque brassée.

La sélection de la quantité de détergent sur le panneau de commande s'affiche à **AUTO** (automatique) par défaut lors de la première mise sous tension de le Combo. Lorsque **AUTO** est sélectionné, la quantité de détergent nécessaire pour chaque brassée est automatiquement déterminée en fonction de la charge détectée par le Combo.

Avec **AUTO**, le Combo va distribuer environ 1,5 oz (44 ml) de détergent pour une brassée normale de 8 lb (3,6 kg). Pour les autres brassées, la quantité sera ajustée en proportion de la taille de la brassée ou du type de vêtement. Si vous sélectionnez **LESS** (Moins), la quantité de détergent sera réduite de 40 % par rapport au niveau **AUTO** par défaut. Ceci peut être souhaitable avec des détergents à haute concentration ou si l'eau domestique est très douce. Pour les brassées très sales, vous pouvez sélectionner **MORE** (Plus) pour ajouter 40 % plus de détergent que le niveau **AUTO** par défaut. Vous pouvez choisir la marque ou la sorte de détersif par l'application SmartHQ pour que le Combo puisse faire les ajustements selon les recommandations de fabricants de détersif. Les réglages de ces fabricants adapteront les ajustements utilisés pour les dosages **AUTO**, **MORE** (Plus) et **LESS** (Moins).

REMARQUE : La **SmartDispense - Détergent** (Distribution intelligente - Détergent) n'est pas disponible pour tous les cycles. Si le voyant ne s'allume pas et qu'une pression sur **SmartDispense - Détergent** provoque l'émission de bips, alors la fonction **SmartDispense** n'est pas permise pour le cycle choisi. Pour ces cycles, le détergent devra être ajouté directement dans son compartiment.



Utilisez seulement le détergent liquide à haute efficacité HE



Si l'on désire ajouter manuellement du détergent pour une brassée particulière :

1. Appuyez sur la touche **SmartDispense - Détergent** (Distribution intelligente) sur le panneau de commande jusqu'à ce que son voyant s'éteigne, ce qui indique que cette fonction est désactivée.
2. Placez le volet du compartiment à détergent dans la position du type de détergent à utiliser, Powder (Poudre) ou Liquid (Liquide). Voyez la section Compartiment de détergent.
3. Ajoutez la quantité de détergent désirée dans le compartiment de détergent.

Si l'afficheur indique que le réservoir SmartDispense (Distribution intelligente) estime qu'il n'y a pas assez de détergent pour laver une charge, l'écran ACL vous avertira. Le Combo peut encore exécuter un cycle, mais il est suggéré d'ajouter du détersif dans le compartiment à détersif manuel ou de remplir le réservoir SmartDispense.

Comment démarrer

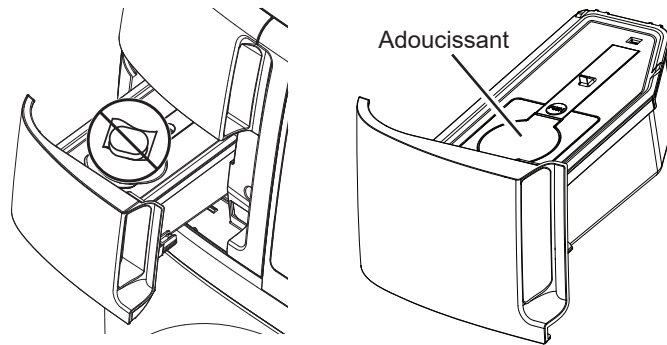
SmartDispense - Adoucissant

Cette fonction ajoute automatiquement du adoucissant au lavage, éliminant le besoin de l'ajouter pour chaque brassée.

La sélection de la quantité de adoucissant sur le panneau de commande s'affiche à **AUTO** (automatique) par défaut lors de la première mise sous tension de le Combo. Lorsque **AUTO** est sélectionné, la quantité de adoucissant nécessaire pour chaque brassée est automatiquement déterminée en fonction de la charge détectée par le Combo.

Avec **AUTO**, le Combo va distribuer environ ,85 oz (44 ml) de adoucissant pour une brassée normale de 8 lb (3,6 kg). Pour les autres brassées, la quantité sera ajustée en proportion de la taille de la brassée ou du type de vêtement. Si vous sélectionnez **LESS** (Moins), la quantité d'assouplissant textile sera réduite de 10 % à 20 % par rapport au niveau **AUTO** par défaut. Ceci peut être souhaitable avec des adoucissant à haute concentration ou si l'eau domestique est très douce. Pour les brassées très sales, vous pouvez sélectionner **MORE** (Plus) pour ajouter 20 % plus d'assouplissant textile que le niveau **AUTO** par défaut. Vous pouvez choisir la marque ou la sorte de détergent par l'application SmarHQ pour que le Combo puisse faire les ajustements selon les recommandations de fabricants de détergent. Les réglages de ces fabricants adapteront les ajustements utilisés pour les dosages **AUTO**, **MORE** (Plus) et **LESS** (Moins).

REMARQUE : La **SmartDispense - Adoucissant** (Distribution intelligente - Adoucissant) n'est pas disponible pour tous les cycles. Si le voyant ne s'allume pas et qu'une pression sur **SmartDispense - Adoucissant** provoque l'émission de bips, alors la fonction **SmartDispense** n'est pas permise pour le cycle choisi. Pour ces cycles, le adoucissant devra être ajouté directement dans son compartiment adoucissant.



Si l'on désire ajouter manuellement du adoucissant pour une brassée particulière :

1. Appuyez sur la touche **SmartDispense - Adoucissant** (Distribution intelligente - Adoucissant) sur le panneau de commande jusqu'à ce que son voyant s'éteigne, ce qui indique que cette fonction est désactivée.
2. Manuellement ajoutez la quantité désirée d'assouplissant textile dans le compartiment d'assouplissant textile du **tiroir supérieur du distributeur**.

Si l'afficheur indique que le réservoir **SmartDispense - Adoucissant** (Distribution intelligente - Adoucissant) estime qu'il n'y a pas assez de adoucissant pour laver une charge, l'écran ACL vous avertira. Le Combo peut encore exécuter un cycle, mais il est suggéré d'ajouter du adoucissant dans le compartiment à adoucissant manuel ou de remplir le réservoir **SmartDispense - Adoucissant**.

Ne mettez PAS les sachets de détergent dans le tiroir **D'assouplissant - SmartDispense**.

N'utilisez que de l'assouplissant liquide dans le tiroir **D'assouplissant - SmartDispense**.

REMARQUE : Ne versez pas d'assouplissant textile directement sur la brassée de lavage.

Comment démarrer

Compartiment de détergent - Dose manuelle (Tiroir de distribution supérieur)

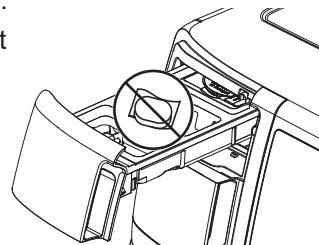
Utilisez seulement du détergent haute efficacité dans cette appareil. **NE PAS remplir de ce détergent au-delà de la ligne MAX. Utilisez la quantité recommandée par le fabricant du détergent.**

- **Détergent en poudre** – Levez le volet pour le détergent en poudre. Cela est nécessaire pour dissoudre et rincer le détergent correctement. Respectez les instructions du fabricant de détergent pour la mesure de la quantité de poudre.
- **Détergent liquide** – Maintenez le volet baissé pour le détergent liquide. Cela retient le détergent liquide jusqu'à son rinçage automatique au début du cycle. Respectez les instructions du fabricant de détergent pour la mesure de la quantité de liquide.

Vous devrez peut-être ajuster la quantité de détergent en fonction de la température et de la dureté de l'eau ainsi que du volume et du degré de saleté de la charge. Évitez d'utiliser trop de détergent dans votre appareil car cela causer un débordement savonneux, laisser des traces de détergent et de mousse sur les vêtements, et allonger la durée du lavage.

Ne versez pas de détergent grumeleux dans le distributeur, au risque de causer une fuite.

Ne mettez PAS de sachets de détersif dans le tiroir distributeur.



Compartiment d'eau de Javel liquide - Dose manuelle (Tiroir de distribution supérieur)

Si vous le désirez, mesurez le montant recommandé d'eau de Javel, ne dépassant pas 1/3 de tasse (80 ml) et versez-le dans le compartiment étiqueté LIQUID BLEACH (Eau de Javel) et portant le symbole .

Il est recommandé d'employer un javellisant à haute efficacité (HE) pour cette appareil à chargement frontal

Ne dépassez jamais la ligne de remplissage maximum. Si vous mettez trop d'eau de Javel, cela risque de provoquer une distribution prématurée de l'eau de Javel, qui peut occasionner des dommages à vos vêtements.

REMARQUE : N'utilisez pas de javellisant en poudre ni de détersifs ou d'additifs pour lessive en sachets dans le distributeur.

Compartiment d'adoucissant - Manual Dose (Tiroir de distribution supérieur)

Si vous le désirez, versez le montant recommandé d'adoucissant liquide dans le compartiment étiqueté FABRIC SOFTENER (Adoucissant).

N'utilisez que de l'adoucissant liquide dans le distributeur.

Ne dépassez jamais la ligne maximum de remplissage. Si vous mettez trop d'adoucissant, cela risque de provoquer une distribution prématurée d'adoucissant, qui peut tacher vos vêtements.

REMARQUE : Ne mettez jamais d'adoucissant directement dans la charge à laver.

REMARQUE : Le compartiment d'assouplissant textile sera siphonné lors du dernier rinçage du cycle de lavage. Ce compartiment peut également être utilisé pour accueillir d'autres agents de rinçage liquides tels que les désinfectants et les liquides améliorant le tissu. L'utilisation de ces autres produits doit être certifiée par le fabricant du liquide pour la sécurité dans l'utilisation d'une laveuse résidentielle et d'une laveuse/sècheuse combinées. Veuillez vérifier attentivement, car certains liquides peuvent invalider la garantie de votre Combo.

Indicateur d'aide au consommateur

Votre appareil est équipée d'un Indicateur d'aide au consommateur (IAC). L'IAC est notre façon de communiquer une solution simple dans certaines situations où un appel de service n'est pas nécessaire. Le tableau ci-dessous décrit les messages utiles qui peuvent défiler sur votre affichage lorsque vous retournez pour laver une autre charge. Ces messages présentent des solutions simples que vous pouvez exécuter rapidement.

Spin (Une lumière clignotante de spin)	Si une condition de déséquilibre est détectée par le Combo, le voyant d'essorage (Spin) clignotera pendant le restant du cycle et restera allumé pendant une courte période de temps après que le cycle soit terminé. Lorsque cela se produit, le Combo prend des mesures pour corriger la condition de déséquilibre et de terminer le cycle normalement. Dans certains cas, il est possible que le Combo ne puisse pas être en mesure d'équilibrer la charge et essorer à plein vitesse. Si vous remarquez que la charge est plus humide que normalement à la fin du cycle, répartissez la charge uniformément dans le panier de lavage et commencez un cycle de Drain & Spin (drainer et essorer). (Consultez Rinse & Dry (Rinçage et Séchage) description du cycle sous les options Comment démarrer pour en savoir plus).
"Confirm H2O Supply is ON" (Alimentation d'eau dans le Combo)	Vérifiez l'alimentation d'eau de votre domicile. Avez-vous oublié d'ouvrir un ou les deux robinets d'admission d'eau après l'installation ou au retour de vacances? Aussitôt que le message commence à défiler, le Combo lance une période de verrouillage de 4 minutes. Les commandes de le Combo ne répondront pas durant cette période ni ne pourront être changées. Après 4 minutes, vous pouvez redémarrer votre cycle. Si vous tentez d'outrepasser la période de verrouillage en débranchant le Combo, la minuterie de 4 minutes se mettra en marche de nouveau.
"Cycle Canceled Draining" (Cycle de drainage annulé)	"Cycle Canceled Draining" (« Cycle de drainage annulé ») peut défiler sur l'affichage si la machine a été mise en pause pendant plus de 24 heures ou si la machine s'est arrêtée par elle-même en raison de certaines erreurs avant que le cycle soit fini. Dès que le message commence à défiler, le Combo va initier une période de verrouillage « lock-out » pour une durée de 4 minutes. Les commandes de le Combo ne répondront pas (ni ne pourront être changées) durant cette période. Après les 4 minutes, vous pouvez redémarrer votre cycle. Si vous tentez d'outrepasser la période de verrouillage en débranchant le Combo, la minuterie de 4 minutes se mettra de nouveau en marche. Si le problème persiste appelez 800.561.3344 pour le service.
"DOOR OPEN" (Porte ouverte)	« DOOR OPEN » (Porte ouverte) s'affichera sur l'afficheur si vous essayez de commencer un cycle alors que la porte n'est pas complètement fermée. « door » (porte) s'affichera aussi sur l'afficheur si 3 cycles ont été commencés sans avoir ouvert la porte. Le Combo ne démarrera pas un autre cycle tant que la porte n'est pas complètement fermée.
"Check and Clean Drain Pump Filter" (Vérifier et nettoyer le filtre de la pompe de vidange)	"Check and Clean Drain Pump Filter" (Vérifier et nettoyer le filtre de la pompe de vidange) s'affichera lorsque le Combo détecte une restriction dans la zone de drainage qui résulte d'éléments interférant avec le drainage de l'eau. Voir la section Entretien et nettoyage - Filtre de pompe pour plus d'informations.

Communication avec l'appareil

Connexion Wi-Fi

Votre Combo est compatible avec la **connexion Wi-Fi de GE Appliances**.

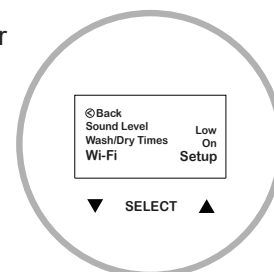
Il est fortement recommandé de connecter votre Combo au Wi-Fi pour télécharger les derniers logiciels, recevoir des mises à jour périodiques et profiter de nombreuses fonctionnalités étendues disponibles via l'application SmarthQ. De nombreuses fonctionnalités de votre Combo peuvent nécessiter une connexion à l'application SmarthQ.

Visitez **GEAppliances.com/connect** et entrez votre numéro de modèle pour consulter les étapes appropriées afin de connecter votre appareil et pour en savoir plus sur les fonctionnalités de l'appareil connecté.

Vous n'aurez peut-être pas besoin de connaître votre identifiant MAC pour connecter votre Combo à SmarthQ, mais vous pouvez le trouver dans la section WiFi du menu de votre Combo.

Connectivité Wi-Fi : Pour obtenir de l'aide avec l'appareil ou la connectivité réseau **ConnectPlus**, veuillez appeler GE Appliances au **800 220-6899**.

Balayez ici pour commencer.



Chargement

Respectez toujours l'étiquette d'entretien du fabricant lors de la lessive.

Tri du linge

Triez le linge par couleur (blancs, clairs, couleurs), degré de saleté, type de tissu (coton robuste, tissu à entretien facile, tissu délicat) et en fonction de la charpie qu'il produit (tissu éponge, tissu chenille) ou qu'il ramasse (velvétine, velours côtelé). Lavez les articles qui génèrent de la charpie, tels que les serviettes de coton et les bas, séparément des articles qui la collectent, par exemple les vêtements synthétiques et les pantalons habillés.

AVERTISSEMENT - Risque d'incendie

NE lavez **PAS** les tissus contaminés avec des liquides inflammables ou des solvants de nettoyage.

Aucune laveuse ne peut éliminer l'huile totalement.

NE faites **PAS** sécher des articles qui ont été trempés dans ou en contact avec des huiles.

NE mettez **PAS** à la main dans la machine à laver jusqu'à ce que toutes les pièces mobiles soient arrêtées.

Cela peut entraîner la mort, une explosion, un incendie ou une amputation.

Chargement de le Combo

Vous pouvez charger complètement le tambour de lavage en ajoutant les articles lachement.

Pour ajouter des articles après le début du lavage avec votre Combo, appuyez sur **Start/Pause** (Mise en marche/ Pause) et attendez que la porte soit déverrouillée. Le Combo peut prendre jusqu'à 20 secondes pour déverrouiller sa porte après que vous ayez appuyé sur **Start/Pause** (Mise en marche/ Pause), selon les conditions. N'essayez pas de forcer la porte pour l'ouvrir quand elle est verrouillée. Quand la porte est déverrouillée, ouvrez doucement. Ajoutez les articles, refermez la porte et appuyez sur **Start/Pause** (Mise en marche/ Pause) pour remettre en marche.

Type de brassée	Brassée mixte*	Serviettes et draps	Délicats**	Vêtements de travail	Petite brassée (2 à 5 articles)
Cycle suggéré	NORMAL	TOWELS (SERVIETTES)	DELICATES (DÉLICATS)	JEANS	QUICK CYCLE (CYCLE RAPIDE)
Contenu de la brassée	* 6 chemises habillées 3 pantalons habillés 3 t-shirts en poly 3 t-shirts 4 shorts 6 caleçons OU 6 t-shirts 4 pantalons en coton ouaté 4 chandails en molleton 2 chandails à capuchon 7 paires de chaussettes	4 taies d'oreiller 2 serviettes 2 draps plats/ 2 draps-housses 2 serviettes de bain/ 4 débarbouillettes OU 2 draps plats, format grand lit 2 draps-housses, format grand lit 4 taies d'oreiller	7 soutiens-gorge 7 petites culottes 3 slips 2 camisoles 4 chemises de nuit **Il est recommandé d'utiliser un sac en maille de nylon pour les petits articles.	4 jeans 5 chemises de travail 3 pantalons de travail	1 pantalon décontracté 2 chemises décontractées OU 3 uniformes de soccer

*Utilisé comme représentatif du consommateur 10 lb. Brassée mixte pour estimer la durée totale du cycle d'environ deux heures pour le cycle **Normal Wash + Dry** (Lavage et Séchage normal) avec **Eco Dry** (Séchage écoénergétique) activé. Les résultats individuels peuvent varier en fonction du contenu réel de la brassée.

Entretien et nettoyage

⚠ AVERTISSEMENT

Bords tranchants – Bien qu'il ne soit pas nécessaire d'effectuer ce type d'entretien, pour réduire le risque de blessures, faites preuve de prudence lors du nettoyage des ailettes du condenseur ou du serpentín de l'évaporateur.

Extérieur

Essayez immédiatement tout débordement. Essayez ou époussetez les renversements ou les produits de lavage avec un linge humide. Le panneau de commande et le fini de le Combo peuvent être endommagés par certains détachants et produits de prétraitement. Appliquez ces produits à l'écart de le Combo. Le tissu peut ensuite être lavé et séché normalement. Les dommages à votre appareil causés par ces produits ne sont pas couverts par votre garantie. Ne frappez jamais la surface avec des objets aiguisés.

Intérieur

Nettoyez le pourtour de l'ouverture de la porte du Combo, du joint d'étanchéité flexible (y compris les tuyaux fixés) et de la vitre de la porte. Ces zones doivent toujours être propres pour assurer l'étanchéité. Il est recommandé de bien essuyer le joint d'étanchéité avec un chiffon désinfectant pour enlever la charpie et les autres particules. Un cycle d'autonettoyage peut également être exécuté à cette fin.

Compartiment de filtre

Nettoyer périodiquement l'intérieur du compartiment du filtre en retirant le cadre du filtre. Utiliser un aspirateur avec un outil plat ou l'ensemble de brosses pour appareil (no de pièce **PM14X10056**). Lors du nettoyage, veillez à ne pas endommager ou plier les ailettes de l'évaporateur qui se trouve tout juste à l'intérieur de la zone à droite de l'ouverture.

L'ensemble de brosses pour cet appareil peut être commandé sur [Electromenagersge.ca/fr/produits/filtres-et-accessoires](https://www.electromenagersge.ca/fr/produits/filtres-et-accessoires).

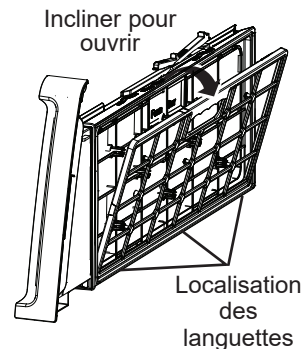
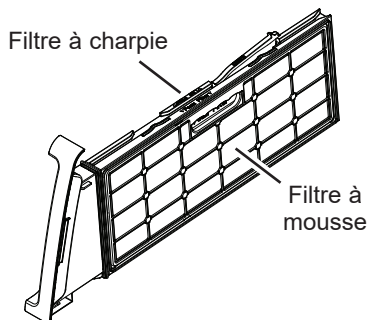
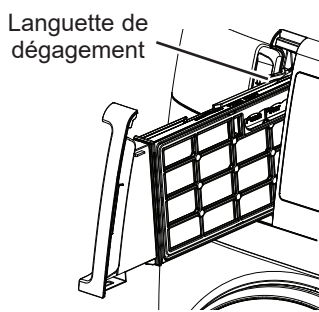
Filtres

Le compartiment du filtre contient un boîtier à deux épaisseurs composé d'un **Filtre à charpie** et d'un **Filtre à mousse**. Pour accéder aux filtres, retirez lentement le cadre du filtre du Combo en tirant tout droit et en appuyant sur la languette pour le relâcher.

Filtre à charpie : Nettoyez le filtre à charpie tous les 5 cycles de séchage en passant vos doigts dessus. Un rappel utile s'affichera à l'écran. Une accumulation cireuse peut se former sur le filtre à charpie si vous utilisez des feuilles d'assouplissant. Pour éliminer cette accumulation, lavez le filtre à charpie dans de l'eau chaude savonneuse. Séchez complètement et remplacez.

Filtre à mousse : Nettoyez le filtre à mousse périodiquement (environ tous les 50 cycles) ou lorsque le Combo vous en avise. Ouvrez le cadre du filtre et retirez le filtre à mousse. Rincer le filtre et jetez la charpie. Réinsérez le filtre à mousse dans le cadre du filtre en utilisant les pattes de positionnement pour vous guider. Assurez-vous que le filtre est correctement aligné dans le cadre.

REMARQUE : Si la mousse est déchirée ou déformée, ne pas la réutiliser. Une mousse de remplacement, pièce **WH01X35719**, peut être commandée par [Electromenagersge.ca/fr/produits/filtres-et-accessoires](https://www.electromenagersge.ca/fr/produits/filtres-et-accessoires).



Passez l'aspirateur sur la charpie du cadre du filtre et à l'intérieur de l'ouverture du filtre si vous remarquez un changement dans la performance de la sècheuse.

Votre Combo vous indiquera quand nettoyer le filtre à charpie et le filtre à mousse.

NE JAMAIS FAIRE FONCTIONNER LE COMBO SANS SES FILTRES EN PLACE.

Entretien et nettoyage

Self Clean (Auto nettoyant)

Pour nettoyer l'intérieur de le Combo, choisissez la fonction **SELF CLEAN** sur le panneau de commande. Le cycle **Self Clean** doit être exécuté au minimum une fois par mois ou environ tous les 40 cycles. Ce cycle utilisera plus d'eau, en plus de l'eau de Javel qui peut être ajoutée en option, pour contrôler la vitesse à laquelle les saletés et les détergents peuvent s'accumuler dans votre Combo.



REMARQUE : Lisez les instructions ci-dessous en entier avant de démarrer le cycle de **Self Clean**.

1. Enlevez tout vêtement ou objet de le Combo et assurez-vous que le panier de le Combo est vide.
2. Étape facultative : Ouvrez la porte de le Combo et versez une tasse ou 250 ml de javellisant liquide ou autre nettoyant de appareil dans le panier.
3. Fermez la porte et choisissez le cycle de **SELF CLEAN**. Appuyez sur la touche **Start**.
4. Lorsque le cycle **Self Clean** (Auto nettoyant), l'affichage indiquera la durée résiduelle estimée du cycle. Le cycle se terminera dans 50 minutes. N'interrompez pas le cycle.



Après **Self Clean** (l'auto-nettoyage), le Combo exécutera automatiquement une étape de séchage de 60 minutes pour éliminer l'excès d'humidité de l'intérieur du Combo. Vous pouvez choisir d'annuler cette étape de séchage. Cela n'aura aucune incidence sur la performance de **Self Clean** (l'auto-nettoyage).

Si pour une raison quelconque le cycle doit être interrompu, la porte ne s'ouvrira pas immédiatement. Forcer la porte à s'ouvrir à ce stade peut causer un débordement d'eau. La porte s'ouvrira lorsque l'eau aura été vidée à un niveau ou elle ne débordera pas sur le plancher.

Self Clean (l'auto-nettoyage) peut être interrompu en appuyant sur le bouton **Start/Pause** (Démarrage/Pause) pendant son fonctionnement. Une panne de courant peut également interrompre le cycle. Au retour du courant, le cycle de **Self Clean** (Auto nettoyant) Reprend là où il s'était arrêté. Lorsque le cycle est interrompu, assurez-vous de reprendre un cycle complet de auto nettoyant avant d'utiliser le Combo. Si vous appuyez sur la touche **Power** (Alimentation) durant le **Self Clean** (Auto nettoyant), le cycle sera annulé.

IMPORTANT:

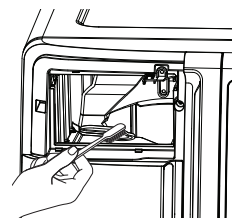
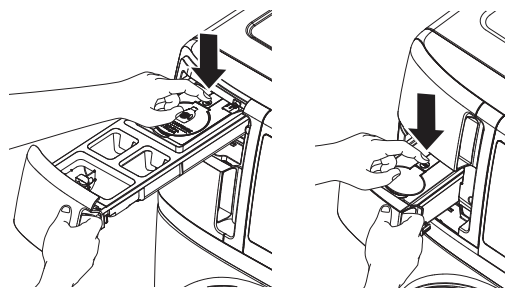
- Effectuez le **Self Clean** (Auto nettoyant) une fois par mois.
- Lorsque le cycle **Self Clean** (Auto nettoyant) est terminé, l'intérieur de votre appareil peut avoir une forte « odeur de javellisant » si vous choisissez d'utiliser de l'eau de Javel pour aider **Self Clean** (l'auto-nettoyage).
- Il est recommandé de laver une **Rinse & Dry** ou brassée de couleur pâle après le cycle de **Self Clean**, si un javellisant a été utilisé.

Zones de distributeur et de tiroirs d'assouplissant

Le détergent et l'assouplissant textile peuvent s'accumuler dans les tiroirs du distributeur. Il faut enlever ces résidus une ou deux fois par mois.

Effectuez ce qui suit pour chacun des deux tiroirs :

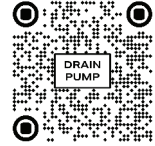
- Enlevez le tiroir en le tirant d'abord jusqu'à ce qu'il s'arrête. Puis atteignez le arrière de la cavité du tiroir et appuyez fermement sur la patte de verrouillage, en tirant le tiroir.
- Rincez à le tiroir pour faire disparaître les traces de produits de lavage qui se sont accumulées.
- Pour nettoyer l'ouverture du tiroir, utilisez une petite brosse pour l'intérieur. Enlevez tout résidu en haut et en bas de l'intérieur.
- Remettez en place le tiroir de distribution.
- Pour réduire l'accumulation dans le tiroir : Utilisez seulement un détergent à haute efficacité HE.



Entretien et nettoyage

Filtre de la pompe

En raison de la nature de l'appareil à chargement frontal, il est parfois possible pour les petits articles d'atteindre la pompe. Le Combo est doté d'un filtre pour capturer les objets perdus et les objets qui pourraient causer des obstructions afin qu'ils ne soient pas déversés dans le drain. Pour récupérer les objets perdus et éliminer les débris potentiellement piégés, nettoyez le filtre de la pompe.



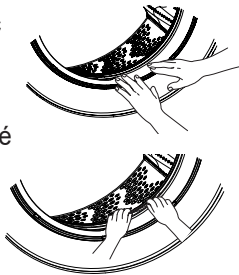
1. Ouvrez la porte d'accès à l'aide d'un petit tournevis à tête plate ou pièce de monnaie.
2. Placez un plat ou un bac peu profond sous la porte d'accès à la pompe et des serviettes sur le sol devant le Combo pour protéger le sol. Il est normal de recueillir environ une tasse d'eau lorsque le filtre est retiré.
3. Tirez sur le bec verseur
4. Tournez le filtre de la pompe dans le sens inverse des aiguilles d'une montre et retirez lentement le filtre, en contrôlant le débit de l'eau évacuée.
5. Retirez le filtre et nettoyez les débris du filtre.
6. Remettez le filtre en place et tournez dans le sens des aiguilles d'une montre. Serrez fermement.
7. Relevez le bec verseur
8. Fermez la porte d'accès en accrochant d'abord les languettes inférieures, puis en tournant la porte d'accès pour la fermer.



Joint d'étanchéité de la porte

Ouvrez la porte de le Combo. Avec les deux mains, poussez le joint d'étanchéité vers le bas.

Tout en maintenant le joint d'étanchéité de la porte, inspectez le pli intérieur. Retirez tous les objets étrangers trouvés à l'intérieur de ce joint.



Enlevez tout objet étranger qui pourrait se trouver dans le joint. Assurez-vous que rien ne bloque les orifices derrière le joint.

Une fois le nettoyage terminé, retirez vos mains et les joints retourneront à ses positions normales.



REMARQUE : Il est fortement recommandé d'exécuter **Self Clean** (Autonettoyage) conformément à ces instructions pour s'assurer que le joint d'étanchéité est nettoyé dans le cadre de cette étape d'entretien.

Flexibles d'alimentation d'eau

Inspectez régulièrement tous les flexibles d'alimentation d'eau afin de détecter des signes de fuites d'eau, d'usure, de coupures, de corrosion et de bombements. Remplacez les flexibles immédiatement si des signes de cette nature apparaissent. Pour réduire le risque de défaillance des flexibles et de dégâts d'eau, ceux-ci doivent être remplacés tous les 5 ans d'utilisation. Lorsque vous remplacez des flexibles, reportez-vous aux instructions d'installation pour vous assurer d'une installation correcte. **ÉVITEZ** de trop serrer les raccords et de fausser leur filetage. Les flexibles **NE** doivent **PAS** frotter contre des objets coupants ni présenter des plis ou des étirements trop prononcés. Vérifiez toujours que les joints d'étanchéité en caoutchouc des flexibles sont installés et exempts de fuites lorsqu'ils sont sous pression.

Déménagement et rangement

Demandez au technicien de service d'enlever l'eau de la pompe et des tuyaux de vidange. Ne rangez jamais le Combo dans un endroit où elle est exposée au mauvais temps. Quand vous déménagez le Combo, vous devez immobiliser le bassin de lavage en utilisant les boulons d'expédition enlevés pendant l'installation. Consultez les Instructions d'installation dans ce manuel. Si vous n'avez pas ces pièces, vous pouvez les commander en visitant notre site web à l'adresse Electromenagersge.ca/fr/produits/filtres-et-accessoires ou en appelant le numéro de telephone **800.661.1616**.

Longues vacances

Si vous prévoyez ne pas utiliser votre Combo pendant une période prolongée, assurez-vous que l'alimentation en eau est coupée aux robinets. Vous voudrez peut-être vidanger l'eau des tuyaux d'entrée et vidanger le filtre de la pompe, surtout si la température extérieure risque d'être inférieure au point de congélation.

Instructions d'installation

Le Combo

Des questions? Appelez le 800.561.3344 ou Visitez notre site Web à l'adresse : electromenagersge.ca

AVANT DE COMMENCER

Lisez ces instructions entièrement et soigneusement.

- **IMPORTANT** — Conservez ces instructions pour l'inspecteur local.
- **IMPORTANT** — Observez tous les codes et les ordonnances en vigueur.
- **Note à l'installateur** — Assurez-vous de laisser ces instructions au consommateur.
- **Note au consommateur** — Conservez ces instructions à titre de référence.
- **Niveau de compétences** — L'installation de cet appareil électroménager nécessite des compétences mécaniques et électriques de base.
- **Temps d'installation** — 1-3 heures
- L'installateur est responsable de bien installer cet appareil.
- Toute panne de produit due à une mauvaise installation n'est pas couverte par la garantie.

EMPLACEMENT DE VOTRE COMBO

N'installez jamais votre Combo :



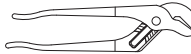

1. Dans un endroit exposé à de l'eau qui coule ou aux conditions climatiques extérieures. La température ambiante ne doit jamais être inférieure à 15,6°C (60°F) pour que le Combo fonctionne bien.
2. Dans un endroit où elle entre en contact avec des tentures ou des rideaux.
3. Sur un tapis. Le sol **DOIT** être une surface dure avec une pente maximum de 1,27 cm per 30 cm (1/2 pouce par pied). Pour vous assurer que le Combo ne vibre pas ou ne bouge pas, il est possible que vous deviez renforcer le plancher.

REMARQUE : Si le plancher est en mauvais état, utilisez une feuille de contreplaqué traité de 3/4 po. fixé solidement à la couverture de plancher actuelle.

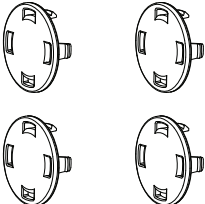
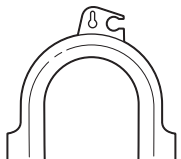

INSTALLATION EN MAISON MOBILE :

L'installation doit satisfaire les normes suivantes : Standard for Mobile Homes, ANSI A119.1 et National Mobile Home Construction and Safety Standards Act of 1974 (PL93-383).



OUTILS NÉCESSAIRES

- Niveau 
- Clé à molette 
- Pince multiprise à crémaillère 
- Tournevis cruciforme 

PIÈCES FOURNIES

- Couvercles de boulons d'expédition (4) 
- Guide de tuyau 
- Attache de câble 

PIÈCES REQUISES

- Flexibles d'eau (2) 
- Rondelles en caoutchouc (2) et grillages pour crépine (2) 

REMARQUE : Des rondelles peuvent être incluses dans les tuyaux.

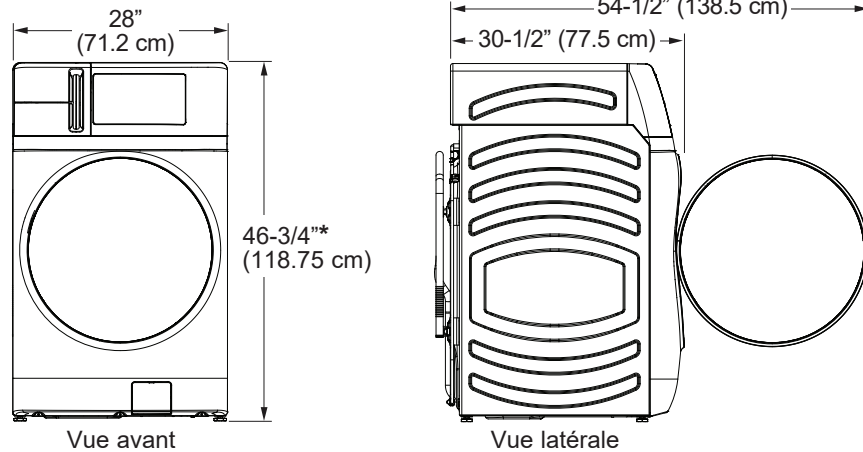
Pièces et accessoires GE Appliances

Consultez votre annuaire local pour un détaillant de pièces autorisé ou appelez-nous au 800.661.1616 ou Electromenagersge.ca/fr/produits/filtres-et-accessoires.

Numéro de pièce	Accessoire
WX14X10011	Tuyaux 6 pi pour laveuse en acier inoxydable avec coudes 90°; paquet de 2
WH1X2267	Grillage pour crépine (1)

Instructions d'installation

DIMENSIONS DE LE COMBO

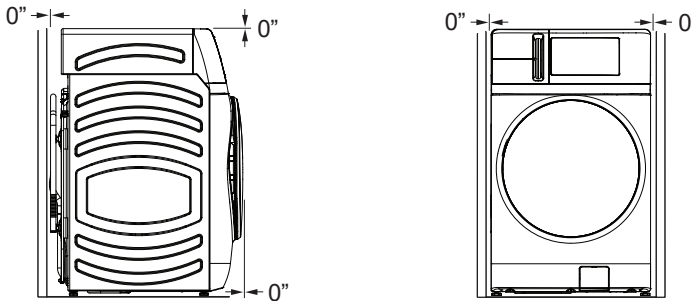


*Avec pieds de nivellement rétractés : 46-3/4 (118.75 cm). / Avec pieds de nivellement complètement sortis : 47-1/4 (120 cm).

ESPACES LIBRES MINIMUM

Alcôve ou Placard

- Arrière = 0"*
- Côtés = 0"
- Haut = 0"
- Avant = 0"



• Il faut veiller à procurer le dégagement nécessaire à l'installation et aux interventions de service.

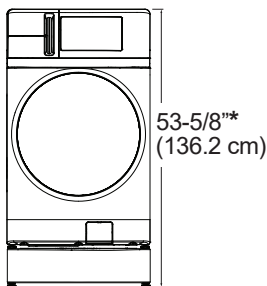
• Les portes du placard doivent être perforées ou bien ventilées et disposer d'au moins 387,1 cm² (60 pouces carrés) d'espace.

*Pour permettre un dégagement 0 po à l'arrière de le Combo, vous devez utiliser des tuyaux avec coude 90°. Autrement, un dégagement supplémentaire peut être nécessaire pour éviter le frottement des tuyaux contre le mur arrière.

ACCESSORIES :

Commandez en ligne sur Electromenagersge.ca/fr/produits/filtres-et-accessoires 24 heures par jour ou en téléphonant au **800 561-3344** durant les heures normales d'affaire.

Élévateur :



No. de pièce	Accessoire
GFR0728PTDS	Élévateur ardoise noire
WX14X10011	Flexibles de rondelle en acier inoxydable de 6 pieds avec coudes à 90°; Paquet de 2
WH49X316	Kit d'extension de tuyau de vidange de laveuse - Environ 44 po
WH41X36697	Assemblage de tuyau unicouple pour laveuse
GFAPC120V (ou équivalent)	Convertisseur de fiche 240 V à 110 V à 4 broches
WX08X10070	Capuchon de ventilation de conduit de 4 po
PM14X10056	Ensemble de brosses pour cet appareil
PM7X2	Plateau de plancher universel pour laveuse à profil bas - Blanc
GFR0728	Élévateur de 28 po largeur sans tiroir

REMARQUE : Le piédestal haut de 28 po de largeur avec tiroir n'est pas recommandé pour une utilisation avec le Combo.

Suivez les **Instructions d'installation** incluses dans la trousse pour l'ensemble des dégagements et spécifications.

*Avec pieds de nivellement rétractés. Voir la section **DIMENSIONS DE LE COMBO** ci-dessus pour les dimensions de l'extension des pieds.

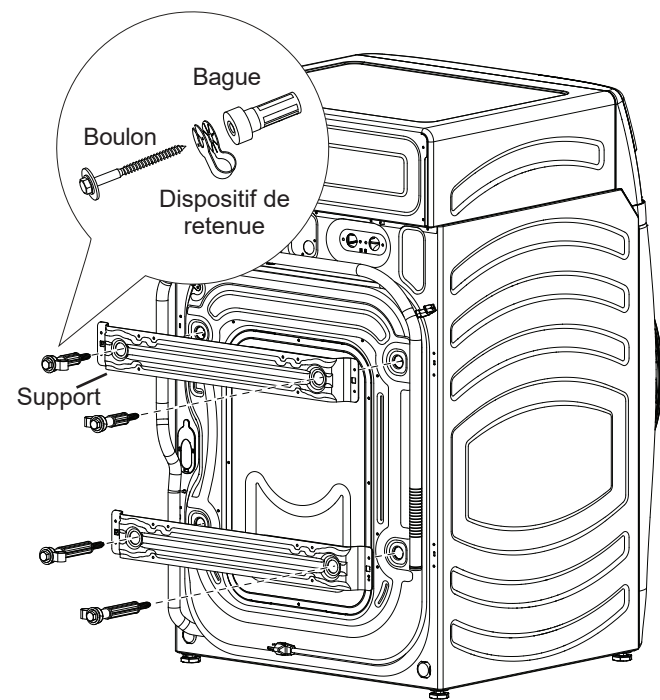
Instructions d'installation

DÉBALLAGE DE VOTRE APPAREIL

⚠ AVERTISSEMENT Recyclez ou détruisez le carton et les sacs en matière plastique après avoir déballé votre appareil. Mettez ces matériaux hors de la portée des enfants. Les enfants peuvent être tentés de les utiliser pour jouer. Les cartons recouverts de tapis, de couve-lit, ou de drap en matière plastique peuvent devenir des chambres hermétiquement closes risquant d'étouffer des enfants.

1. Coupez et enlevez toutes les sangles d'emballage.
2. Alors qu'elle est dans le carton, posez avec soin le Combo sur son côté. **NE LAISSEZ JAMAIS** reposer le Combo sur son avant ou son arrière.
3. Tournez vers le bas les rebords du bas—enlevez tout l'emballage de base, y compris la base en styrofoam.
4. Remettez soigneusement le Combo debout et enlevez le carton.
5. Amenez soigneusement le Combo à moins de 4 pieds (122 cm) de son emplacement final.
6. Enlevez les pièces suivantes de l'arrière de le Combo :
 - 4 boulons
 - 4 bagues en matière plastique (compris les dispositifs de retenue du cordon d'alimentation et les anneaux en caoutchouc)
 - 2 dispositifs de retenue et les vis qui les fixent au Combo

NOTE : NE retirez PAS la vis ou le clip tenant le tuyau.

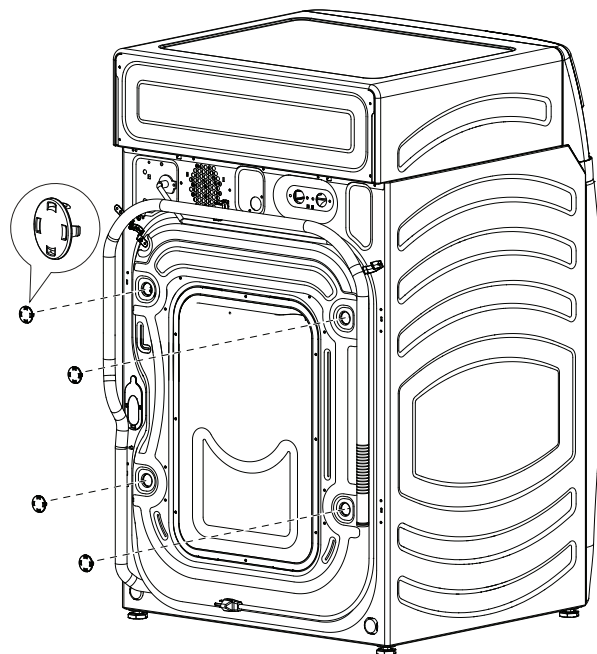


DÉBALLAGE DE VOTRE APPAREIL (suite)

Regardez cette vidéo pour obtenir d'autres instructions étape par étape sur l'importance de retirer les boulons d'expédition avant d'utiliser votre Combo.



7. Insérez les capuchons des trous de boulons d'expédition dans les trous des boulons d'expédition.



IMPORTANT :

- Le fait de ne pas retirer toute la quincaillerie d'expédition pour provoquer un déséquilibre sévère de le Combo.
- Conservez toute la quincaillerie d'expédition pour usage future. Si vous devez transporter ultérieurement le Combo, vous devez réinstaller les boulons d'expéditions et les entretoises pour éviter les bris pendant l'expédition. Les dispositifs de retenue ne sont pas requis et peuvent être jetés.

REMARQUE : Considérez les options de recyclage des matériaux d'emballage de votre électroménager.

Instructions d'installation

EXIGENCES ÉLECTRIQUES

⚠ AVERTISSEMENT - Risque d'électrocution

Brancher à une prise de courant à 3 broches mise à la terre.

NE PAS retirer la broche de contact de mise à la terre.

N'UTILISEZ pas de rallonge électrique.

N'UTILISEZ pas d'adaptateur de prise.

Le non-respect de ces instructions pourrait entraîner un décès, un incendie ou un choc électrique.

CIRCUIT - Individuel, correctement polarisé et mis à la terre, disjoncteur ou fusible temporisé de 15 ou 20 ampères.

ALIMENTATION ÉLECTRIQUE – 2 fils plus la mise à la terre, 120 volts, monophasé, 60 Hz, courant alternatif.

PRISE ÉLECTRIQUE – Prise à 3 voies correctement mise à la terre située de façon à ce que le cordon soit accessible lorsque le Combo est installée dans sa position définitive. Si la prise n'est qu'à 2 voies, il est de la responsabilité du propriétaire de demander à un électricien agréé de la remplacer par une prise à 3 voies correctement mise à la terre.

Assurez-vous au préalable qu'une mise à la terre existe bien et qu'elle fonctionne correctement.



Le Combo doit être correctement mise à la terre conformément aux codes locaux de l'électricité, ou dans l'absence de codes locaux, à la dernière édition du Code Électrique National, ANSI/NFPA NO. 70 ou au Code Électrique Canadien CSA C22.1. Demandez à un électricien agréé de vérifier la connexion si vous n'êtes pas certain que le Combo est correctement mise à la terre.

INSTRUCTIONS DE MISE À LA TERRE

Cet appareil doit être mis à la terre. Dans l'éventualité d'un mal fonctionnement ou d'une panne, la mise à la terre réduit le risque de choc électrique en procurant un circuit de moindre résistance au courant électrique. Cet appareil comporte un cordon doté d'un conducteur de mise à la terre de l'appareillage et d'une fiche de mise à la terre. La fiche doit être branchée dans une prise compatible correctement installée et mise à la terre conformément à tous les codes et règlements en vigueur.

⚠ AVERTISSEMENT Une connexion incorrecte du conducteur de mise à la terre de l'appareillage peut poser un risque de choc électrique. Consultez un électricien ou réparateur qualifié si vous doutez que l'appareil soit correctement mis à la terre. **NE** modifiez **PAS** la fiche du cordon d'alimentation. Si elle ne s'insère pas dans la prise, demandez à un électricien agréé de poser une prise appropriée.

Si les codes locaux l'exigent, un fil de terre extérieur en cuivre de calibre 18 ou supérieur (non fourni) peut être ajouté. Fixer à l'enceinte de le Combo à l'aide d'une vis à tôle #10-16 x 1/2 po (dans toute bonne quincaillerie) à l'arrière de le Combo.

⚠ AVERTISSEMENT - Risque d'électrocution

Débranchez l'alimentation électrique avant la réparation. Remettez toutes les pièces et panneaux en place avant d'utiliser l'appareil.

L'omission de prendre ces précautions peut provoquer la mort ou l'électrocution.

⚠ AVERTISSEMENT - Risque d'électrocution

Certaines pièces internes sont intentionnellement non mises à la terre et peuvent présenter un risque de choc électrique lors d'un entretien.

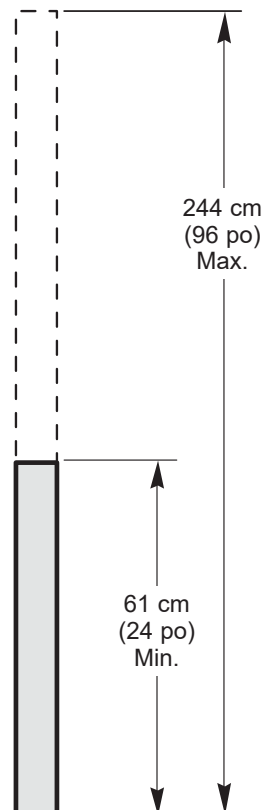
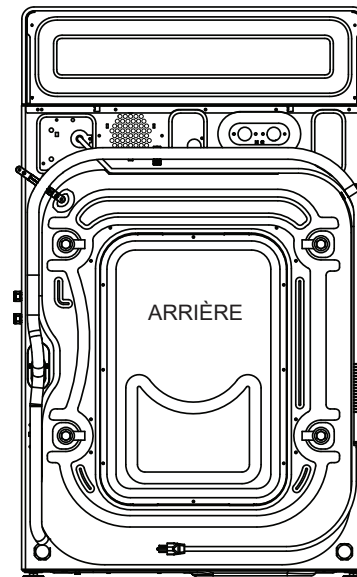
Personnel de réparateur – NE PAS toucher aux composants suivants lorsque l'appareil est sous tension : robinet d'eau, pompe de vidange, NTC, verrou de porte, carte d'onduleur, moteur et carte MC.

EXIGENCES D'ALIMENTATION D'EAU

Les robinets DOIVENT être des robinets de jardin de 1,9 cm (3/4 po.), pour pouvoir brancher les tuyaux d'entrée. La pression de l'eau DOIT être entre 10 et 120 livres par pouce carré. Votre service d'eau peut vous indiquer votre pression d'eau. La température de l'eau chaude doit être réglée de manière à fournir de l'eau à une température de 48°C à 60°C (120°F à 140°F) pour obtenir un rendement adéquat de la commande de température automatique (ATC).

EXIGENCES DE VIDANGE

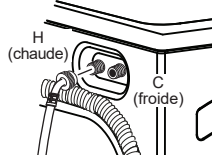
1. Une vidange capable d'éliminer 38 L (10 gallons) par minute.
2. Un diamètre minimum de tuyau ascendant de 3,18 cm (1 1/4 po.)
3. La hauteur du tuyau ascendant au dessus du plancher doit être la suivante :
Hauteur minimum : 61 cm (24 po.)
Hauteur maximum : 244 cm (96 po.)



Instructions d'installation

INSTALLATION DE LE COMBO

1. Faites couler un peu d'eau chaude et froide des robinets pour purger les tuyaux d'entrée d'eau et enlever les particules qui peuvent boucher les filtres des robinets et des tuyaux d'entrée d'eau.
2. Enlevez les tuyaux d'entrée d'eau du conditionnement.
3. (extrémité coudée 90°) Assurez-vous de la présence de la rondelle de caoutchouc aux extrémités des coudes de 90° des tuyaux. Réinstallez les rondelles de caoutchouc aux extrémités des tuyaux si ces dernières sont tombées lors du transport. Raccordez soigneusement un tuyau d'entrée à la sortie « H » intérieure du robinet d'eau. Serrez à la main, puis serrez encore 2/3 de tour avec des pinces. Raccordez soigneusement l'autre tuyau d'entrée à la sortie « C » extérieure du robinet d'eau. Serrez à la main, puis serrez encore 2/3 de tour avec des pinces. **Ne faussez pas le filetage ou ne serrez pas trop ces branchements.**



4. Si les rondelles grillagées pour flexibles ne sont pas déjà insérées dans les flexibles d'admission d'eau, insérez-les dans les extrémités libres des flexibles d'eau CHAUDE et FROIDE en orientant la face bombée vers le robinet.
5. Branchez les extrémités du tuyau d'entrée aux robinets d'eau CHAUDE et FROIDE, en serrant légèrement à la main, puis en serrant encore 2/3 de tour avec des pinces. Ouvrez l'eau et vérifiez qu'il n'y ait pas de fuite.



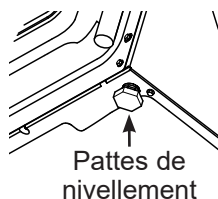
6. Amenez soigneusement le Combo dans son emplacement final. Mettez gentilement le Combo à sa place, en la balançant. Il est important de ne pas endommager les pattes de nivellement en caoutchouc lorsque vous déplacez le Combo vers sa position finale. Des pattes endommagées peuvent accroître les vibrations produites par le Combo. La vaporisation de nettoyant à vitres sur le plancher peut faciliter le déplacement de le Combo vers sa position finale.

NOTE : Afin de réduire les vibrations, assurez-vous que les quatre pattes de nivellement reposent fermement au plancher. Poussez et tirez sur l'arrière de le Combo du côté droit, puis du côté gauche pour ajuster les pattes.

NOTE : N'utilisez pas les tiroirs du distributeur ou la porte pour soulever le Combo.

NOTE : Si vous installez dans un bac de vidange, vous pouvez utiliser un 2 x 4 long de 24 po. pour bien mettre à l'horizontale le Combo.

7. Le Combo dans son emplacement final, placez un niveau à bulle sur le Combo (si elle est installée sous un comptoir, elle ne doit pas bouger). Ajustez les pattes de nivellement avant vers le haut ou vers le bas pour vous assurer qu'elle ne bouge pas. Tournez les contre-écrous de chaque patte vers la base de le Combo et serrez avec une clé anglaise.

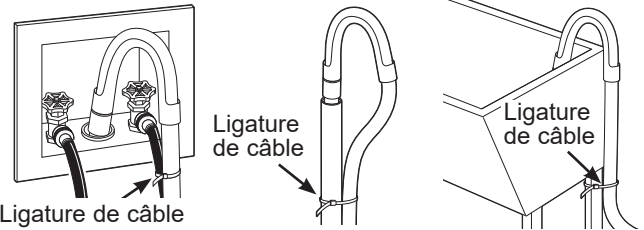


INSTALLATION DE LE COMBO

NOTE : Conservez les extensions des pattes à un minimum pour empêcher les vibrations. Plus les pattes sont tirés, et plus le Combo vibre.

Si le plancher n'est pas bien horizontal ou est endommagé, il est possible que vous deviez allonger les pattes de nivellement arrière.

8. Attachez le guide de tuyau en U à l'extrémité du tuyau de vidange. Placez le tuyau dans une cuve à lessive ou un tuyau vertical et liez-le avec la ligature de câble fournie dans le paquet.



Ligature de câble

NOTE : Placer le tuyau de vidange trop en bas du conduit d'évacuation peut causer un siphonage. Il ne doit pas y avoir plus de 18 cm de tuyau dans le conduit d'évacuation. Il doit y avoir un espace d'air autour du tuyau de vidange. Un ajustement trop serré peut causer un siphonage.

9. Branchez le cordon d'alimentation dans une prise mise à la terre.
NOTE : Vérifiez que le courant est coupé au niveau du disjoncteur ou de la boîte à fusibles avant de brancher le cordon d'alimentation à une prise.
10. Branchez le courant au niveau du disjoncteur ou de la boîte à fusibles.
11. Lisez le reste de ce Manuel du propriétaire. Il contient des renseignements précieux et utiles qui vous feront économiser du temps et de l'argent.
12. **Avant de mettre en marche le Combo, vérifiez que tout est en ordre :**
 - L'alimentation principale de courant est branchée.
 - Le Combo est branchée à la prise.
 - Les robinets d'eau sont ouverts.
 - Le Combo est bien horizontal et les quatre pattes de nivellement reposent fermement sur le plancher.
 - La quincaillerie de soutien pour l'expédition est enlevée et mise de côté.
 - Le tuyau de vidange est bien attaché.
 - Le robinet, les rondelles et le tuyau de vidange ne fuient pas.
13. Faites marcher le Combo pendant un cycle complet. Vérifiez qu'il n'y a aucune fuite d'eau et qu'elle fonctionne bien.
14. Si votre appareil ne fonctionne pas, nous vous prions de consulter la section Avant d'appeler un réparateur, avant d'appeler le service.
15. Rangez ces instructions dans un emplacement proche de le Combo pour référence future.

PIÈCES DE RECHANGE

Si vous avez besoin de pièces de rechange pour votre appareil, vous pouvez les commander au Canada en visitant notre site web Electromenagersge.ca/fr/produits/filtres-et-accessoires ou en appelant le 800.561.3344.

Conseils de Dépannage...Avant d'appeler un réparateur

Il est fortement recommandé de connecter votre appareil au réseau Wi-Fi pour télécharger le dernier logiciel, recevoir des mises à jour périodiques et bénéficier de nombreuses fonctions étendues disponibles de l'application SmartHQ. De nombreuses fonctions d'intelligence artificielle pour votre appareil nécessitent une connexion à l'application SmartHQ. Cela peut résoudre certains problèmes énumérés ci-dessous.

Problème	Causes possibles	Correctifs
Pas de vidange Pas d'essorage Pas de culbutage	La charge est déséquilibrée	Redistribuez les vêtements et faites un Rinse & Spin (Rinçage & Essorage) ou Rinse & Dry (Rinçage & Sécher). Augmentez la taille de la charge si vous lavez une petite charge contenant des articles légers et lourds.
	Le filtre de la pompe à eau est peut-être bouché	Reportez-vous Entretien et nettoyage pour le nettoyage du Filtre de la pompe .
	Le tuyau de vidange est tortillé ou mal connecté	Redressez le tuyau de vidange et assurez-vous que le Combo n'est pas dessus.
	Le siphon d'évacuation de la maison peut être bouché	Vérifiez la plomberie de la maison. Vous pouvez avoir besoin d'appeler un plombier.
	Siphonage du tuyau de vidange; tuyau de vidange enfoncé trop bas dans le drain	Assurez-vous qu'il y a un espace d'air entre le tuyau et le drain. Assurez-vous également que le boyau de vidange n'est pas inséré à plus de 7 po dans le tuyau de vidange.
Fuite d'eau	Le joint de la porte est endommagé	Vérifiez si le joint est bien en place et s'il n'est pas déchiré. Les objets (clous, vis, stylos, crayons) laissés dans les poches et les vêtements coincés entre la vitre de la porte et le joint d'étanchéité peuvent endommager le Combo. L'eau peut dégoutter de la porte lorsque celle-ci est ouverte. Il s'agit d'un fonctionnement normal. Essuyez soigneusement le joint de porte en caoutchouc et la vitre de la porte. Parfois de la saleté ou des vêtements coincés dans le joint peuvent causer une petite fuite.
	Vérifiez la présence d'eau à la partie arrière gauche de le Combo	Si cette partie est mouillée, cela indique la présence d'un surplus de mousse savonneuse. Utilisez moins de détergent.
	Les tuyaux d'entrée de l'eau ou le tuyau de vidange ne sont pas bien branchés	Assurez-vous que les tuyaux soient bien branchés au niveau des robinets et le Combo et assurez-vous que le tuyau de vidange soit bien inséré et fixé à l'installation de vidange.
	La vidange de la maison est peut-être bloquée	Vérifiez la plomberie de la maison. Il est possible que vous ayez besoin d'appeler un plombier.
	Distributeur colmaté	Le savon en poudre peut causer des colmatages à l'intérieur du distributeur et causer une fuite d'eau à l'avant du distributeur. Retirez le tiroir et nettoyez le tiroir et l'intérieur de la boîte de distributeur. Les sachets de détergent ne doivent pas être utilisés dans le distributeur. Ils doivent être ajoutés directement dans le panier de lavage conformément aux directives du fabricant. Reportez-vous à la section Entretien et nettoyage .
	Utilisation incorrecte de détergent	Utilisez du détergent HE uniquement et en bonne quantité.
	Compartiment de distributeur fissuré	Dans le cas de nouvelle installation, recherchez les fissures sur l'intérieur du distributeur.
	Vêtements trop mouillés	La charge est déséquilibrée Redistribuez les vêtements et faites un Rinse & Dry (Rinçage & Sécher). Augmentez la taille de la charge si vous lavez une petite charge contenant des articles légers et lourds. La machine ralentit la vitesse d'essorage à 410 tr/min si elle a du mal à équilibrer la charge. Cette vitesse est normale.
	Le filtre de la pompe à eau est peut-être bouché	Reportez-vous Entretien et nettoyage pour le nettoyage du Filtre de la pompe .
	Surcharge	Le poids à sec de la charge doit être inférieur à 20 lbs.
	Le tuyau de vidange est tortillé ou mal connecté	Redressez le tuyau de vidange et assurez-vous que le Combo n'est pas dessus.
	Le siphon d'évacuation de la maison peut être bouché	Vérifiez la plomberie de la maison. Vous pouvez avoir besoin d'appeler un plombier.
	Siphonage du tuyau de vidange; tuyau de vidange enfoncé trop bas dans le drain	Assurez-vous qu'il y a un espace d'air entre le tuyau et le drain. Assurez-vous également que le boyau de vidange n'est pas inséré à plus de 7 po dans le tuyau de vidange.

Conseils de Dépannage...Avant d'appeler un réparateur

Problème	Causes possibles	Correctifs
Cycle incomplet ou minuterie arrêtée	Redistribution automatique de la charge	La minuterie ajoute jusqu'à 3 minutes à un cycle pour chaque rééquilibrage. 11 ou 15 rééquilibrages peuvent être effectués. C'est un fonctionnement normal. Ne faites rien, la machine terminera le cycle.
	Le filtre de la pompe à eau est peut-être bouché	Reportez-vous Entretien et nettoyage pour le nettoyage du Filtre de la pompe .
	Le tuyau de vidange est tortillé ou mal connecté	Redressez le tuyau de vidange et assurez-vous que le Combo n'est pas dessus.
	Le siphon d'évacuation de la maison peut être bouché	Vérifiez la plomberie de la maison. Vous pouvez avoir besoin d'appeler un plombier.
	Siphonage du tuyau de vidange; tuyau de vidange enfoncé trop bas dans le drain.	Assurez-vous qu'il y a un espace d'air entre le tuyau et le drain. Assurez-vous également que le boyau de vidange n'est pas inséré à plus de 7 po dans le tuyau de vidange.
Secousses, vibrations ou bruits forts ou inhabituels	Déplacement d'armoire	Le Combo est conçue pour bouger de 6 mm pour réduire les forces transmises au sol. Ce mouvement est normal.
	Tous les pieds de mise à niveau en caoutchouc ne touchent pas fermement le sol	Poussez tirez sur l'arrière droit puis sur l'avant gauche de le Combo pour vérifier qu'elle est de niveau. Si le Combo est inégal ou oscille excessivement pendant le fonctionnement, ajustez les pattes de nivellement en caoutchouc afin qu'ils touchent tous fermement le sol et que les contre-écrous soient serrés à la base du Combo.
	Charge déséquilibrée	Mettez le Combo en pause, ouvrez la porte et redistribuez manuellement la charge. Pour inspecter la machine, exécutez un rinçage et un essorage à vide. Si tout est normal, le déséquilibre était causé par la charge.
	Le filtre de la pompe à eau est peut-être bouché	Reportez-vous Entretien et nettoyage pour le nettoyage du Filtre de la pompe .
Pas de puissance/ le Combo ne fonctionne pas ou semble hors tension	Le Combo est débranchée	Assurez-vous que le cordon est bien branché dans une prise sous tension.
	L'arrivée d'eau est coupée	Ouvrez à fond les robinets d'eau chaude et d'eau froide
	Le disjoncteur est déclenché/le fusible a sauté	Inspectez les disjoncteurs/fusibles de la maison. Remplacez les fusibles ou réarmez le disjoncteur. Le Combo doit présenter une prise distincte.
	Vérifications automatiques du système	La première fois que le Combo est branchée, des vérifications automatiques se produisent. Il peut être nécessaire d'attendre 20 secondes avant de pouvoir utiliser le Combo. C'est un fonctionnement normal.
« Confirm H2O Supply is ON » (Confirmer que l'alimentation H2O est activée) apparaît sur l'afficheur	L'eau n'entre pas dans le Combo	Consultez la section Indicateur d'aide au consommateur pour obtenir les détails.
« Cycle Canceled Draining » (Cycle de drainage annulé) apparaît sur l'afficheur	Le Combo est en pause ou arrêtée	Consultez la section Indicateur d'aide au consommateur pour obtenir les détails.
« DOOR OPEN » (Porte ouverte) apparaît sur l'afficheur	La porte est mal fermée	Consultez la section Indicateur d'aide au consommateur pour obtenir les détails.
« Check and Clean Drain Pump Filter » (Vérifier et nettoyer le filtre de la pompe de vidange) apparaît sur l'afficheur	Restriction dans la zone de drainage	Consultez la section Indicateur d'aide au consommateur pour obtenir les détails.

Conseils de Dépannage...Avant d'appeler un réparateur

Problème	Causes possibles	Correctifs
Accrocs, trous, déchirures, ou usure excessive	Surcharge	Ne dépassez pas les tailles de charge maximum recommandées. Reportez-vous aux tailles de charge maximum recommandées dans la section Chargement .
	Stylos, crayons, clous, vis ou autres objets égarés dans les poches	Retirez les objets égarés dans les poches.
	Aiguilles, boutons pressions, agrafes, boutons à bord vif, boucles de ceinture, fermetures à glissière et objets à bord vif égarés dans les poches	Fermez les boutons pressions, agrafes, boutons et fermetures à glissière.
Temps de contrôle incorrect ou variations	C'est normal.	Pendant l'essorage, le Combo peut avoir besoin de rééquilibrer la charge parfois pour réduire les vibrations. Lorsque cela se produit, le temps estimé est augmenté, ce qui cause une augmentation du temps qui reste. De plus, en mode Sensor Dry (Séchage par capteur), le temps peut être prolongé pour laisser suffisamment de temps à la brassée de sécher complètement.
Pas assez d'eau	C'est normal.	Les appareils horizontaux ne nécessitent pas que la cuve se remplisse d'eau contrairement aux appareils à charge par le haut.
Le Combo fait une pause ou doit être redémarrée ou la porte de le Combo est verrouillée et ne s'ouvre pas	Le filtre de la pompe à eau est peut-être bouché	Reportez-vous Entretien et nettoyage pour le nettoyage du Filtre de la pompe .
La porte se débloque ou la machine ne fonctionne pas lorsque vous appuyez sur Start	C'est normal.	Les appareils à chargement frontal démarrent différemment de celles à chargement par le haut, et il faut plusieurs secondes pour vérifier le système. La porte se verrouille et se déverrouille. Le Combo fera également fonctionner un capteur de charge (Load Sense) au début avant de se remplir d'eau et de commencer la partie lavage du cycle.
	Fonctionnement incorrect	Ouvrez et fermez simplement la porte fermement, puis appuyez sur Start (Marche).
	Verrouillage des commandes activé	Appuyez sur le bouton Control Lock (Verrouillage de contrôle) bouton et tenez-la appuyée pendant 3 secondes.
L'eau ne rentre pas dans le Combo ou entre lentement	Vérifications automatiques du système	Une fois Start (Marche) appuyé, le Combo fait plusieurs vérifications du système. L'eau coule plusieurs secondes après que Start (Marche) soit appuyé.
	Les tamis de vanne d'eau sont colmatés	Coupez l'arrivée d'eau et retirez les tuyaux de connexion d'eau en haut à l'arrière de le Combo. Utilisez une brosse ou un cure-dent pour nettoyer les tamis dans la machine. Reconnectez les tuyaux et rouvrez l'arrivée d'eau.
	Les rondelles à grille de l'admission d'eau sont bloqués	Fermez l'eau et enlevez les tuyaux d'admission des robinets muraux. Utilisez une brosse ou un cure-dent pour nettoyer les rondelles à grille au bout des tuyaux. Reconnectez les tuyaux et ouvrez l'eau.
	Le filtre de la pompe à eau est peut-être bouché	Reportez-vous Entretien et nettoyage pour le nettoyage du Filtre de la pompe .
	Tuyaux de remplissage pliés	Vérifiez que les tuyaux de remplissage ne sont pas pliés ni bouchés.
	L'arrivée d'eau est coupée	Ouvrez à fond les robinets d'eau chaude et d'eau froide.
	Alimentation d'eau insuffisante	Assurez-vous que l'alimentation d'eau est ouverte et que les robinets d'eau sont tournés à la position d'ouverture maximale.
	La porte de le Combo est ouverte	La porte de le Combo doit être fermée pendant tous les cycles. Si la porte est ouverte pendant une cycle, toutes les fonctions s'arrêteront, y compris le remplissage d'eau.
	Raccordement de tuyaux de remplissage incorrect	Vérifiez que les tuyaux de remplissage relient l'alimentation d'eau chaude à l'entrée d'eau chaude de le Combo et l'alimentation d'eau froide à l'entrée d'eau froide de le Combo (CHAUDE avec CHAUDE et FROIDE avec FROIDE).

Conseils de Dépannage...Avant d'appeler un réparateur

Problème	Causes possibles	Correctifs
Froissement	Tri incorrect	Évitez de mélanger des articles lourds (comme des vêtements de travail) avec des articles légers (comme des chemisiers).
	Surcharge	Chargez le Combo pour que les vêtements aient assez de place pour bouger librement.
	Cycle incorrect	Assortissez la sélection de cycle au type de tissus que vous lavez (surtout pour les charges à entretien facile).
	Lavage répété dans de l'eau trop chaude	Lavez dans l'eau froide ou chaude.
Vêtements grisâtres ou jaunâtres	Pas assez de détergent	Utilisez la bonne quantité de détergent.
	Détergent utilisé pas HE (haute efficacité)	Utilisez du détergent HE uniquement.
	Eau calcaire	Utilisez l'eau la plus chaude possible pour le tissu.
		Utilisez un conditionneur d'eau comme la marque Calgon ou installez un adoucisseur d'eau.
	L'eau n'est pas assez chaude	Assurez-vous que le chauffe-eau distribue de l'eau entre 48 et 60°C.
	Le détergent ne se dissout pas ou trop grande quantité d'assouplissant	Essayez un HE détergent liquide. Utilisez moins d'assouplissant.
Taches colorées	Utilisation incorrecte d'assouplisseur	Inspectez le sachet d'assouplisseur de tissu pour des instructions et suivez les directives d'utilisation du distributeur.
	Transfert de colorant	Séparez le blanc et les couleurs claires des couleurs foncées.
		Sortez rapidement le linge de le Combo.
La température de l'eau est incorrecte	L'arrivée d'eau est mal connectée	Assurez-vous que les tuyaux sont connectés aux bons robinets (CHAUDE avec CHAUDE et FROIDE avec FROIDE).
	Le chauffe-eau de la maison est mal réglé	Assurez-vous que le chauffe-eau distribue de l'eau entre 48 et 60°C.
Odeur désagréable dans le Combo	Appareil inutilisée pendant longtemps, pas d'utilisation du détergent HE ou utilisation d'une quantité excessive de détergent	Utilisez régulièrement une option de cycle de Dry (Séchage).
		En cas d'odeur forte, vous devrez peut-être exécuter le cycle Self Clean (Autonettoyage) plus d'une fois.
		Utilisez uniquement la quantité de détergent recommandée ou réglez SmartDispense à LOW .
		Utilisez uniquement du détergent HE (haute efficacité)
		Retirez toujours rapidement les vêtements humides de le Combo après arrêt de la machine.
		Si vous choisissez de ne pas utiliser une option de cycle de Dry (Séchage), laissez la porte légèrement ouverte pour sécher le Combo à l'air. Une surveillance étroite est requise pour tout appareil utilisé par des enfants ou à leur proximité. NE laissez pas les enfants jouer sur ou à l'intérieur de cet appareil.
	La présence de peluche résiduelle et d'autres matières dans le filtre de la pompe doivent être nettoyés.	Reportez-vous Entretien et nettoyage pour le nettoyage du Filtre de la pompe .
Tuyau de vidange enfoncé trop bas dans le drain	Voir la section Instructions d'installation pour une installation correcte.	
Le détergent commence à se distribuer lentement dans la cuve	C'est normal	Il est normal de voir le détergent fuir sur le joint de la porte environ 20 secondes après remplissage du distributeur. Assurez-vous que le tiroir du distributeur est complètement fermé.
Distribution incorrecte de l'assouplisseur ou de l'agent blanchissant	Distributeur colmaté	Nettoyez une fois par mois le tiroir distributeur pour retirer les dépôts de produits chimiques.
	Assouplisseur ou agent blanchissant au-dessus du trait max	Assurez-vous de mettre la bonne quantité d'assouplisseur.

Conseils de Dépannage...Avant d'appeler un réparateur

Problème	Causes possibles	Correctifs
Le tiroir distributeur ne distribue pas correctement	Sachet de détergent placé dans le tiroir distributeur	Les sachets de détergent ne doivent pas être utilisés dans le distributeur. Ils doivent être ajoutés directement dans le panier de lavage conformément aux directives du fabricant.
La pompe fonctionne alors que le Combo n'est pas utilisée	Obstruction dans le drain de puisard	Le puisard détecte un niveau d'eau indésirable causé probablement par un robinet ouvert. Fermez la vanne d'eau et vérifiez si elle reste bloquée. Assurez-vous que vous avez les dernières mises à jour de l'application SmartHQ pour votre appareil.
Les vêtements prennent trop de temps à sécher	Tri incorrect	Séparez les articles lourds des articles légers (généralement, une brassée de laveuse bien triée est une brassée de sècheuse bien triée).
	Grosses brassées de tissus lourds (comme les serviettes de plage)	Les grands tissus lourds contiennent plus d'humidité et requièrent un temps de séchage plus long. Séparez les grands tissus lourds en petites brassées pour diminuer le temps de séchage.
	Le filtre à charpie est plein	Nettoyez le filtre à charpie tous les 5 cycles de séchage en passant vos doigts dessus.
	Eco Dry (Séchage écoénergétique) est désactivé ou More Dry (Plus Sec) est ACTIVÉ (ON)	En désactivant Eco Dry (Séchage écoénergétique) et en ajoutant More Dry (Plus Sec), le Combo séchera les vêtements à un niveau de séchage plus élevé que ce qui peut être requis. Songez à fonctionner avec l'option More Dry (Plus Sec) désactivée. Si vous désirez un temps encore plus court, vous pouvez activer Eco Dry (Séchage écoénergétique) dans le menu. Vous devrez peut-être trouver les meilleures conditions pour votre niveau de séchage acceptable.
Changements de temps restant (Time Remaining) ou temps de séchage incohérents	La durée estimée peut changer lorsque les capteurs détectent qu'un séchage optimal n'a pas été atteint	Le temps de séchage restant s'ajuste en fonction des vérifications d'humidité effectuées par votre Combo intelligent pendant la partie de séchage du cycle. Vous remarquerez peut-être ces réglages au début du séchage, pendant le séchage ou pendant les dernières minutes de séchage.
	Type de brassée et conditions de séchage	La taille de la brassée, les types de tissu, l'humidité des vêtements et la longueur et l'état du système d'échappement affecteront les temps de séchage.
Les vêtements sont encore humides même si le Combo a terminé le cycle	Le Combo a été mis en pause en milieu de cycle et n'a jamais redémarré	La porte a peut-être été ouverte au milieu du cycle et le cycle n'a pas été redémarré. Un cycle de séchage doit être sélectionné à nouveau pour terminer le processus de séchage.
	La brassée était déjà sèche, sauf pour les cols et les bandes de taille	Démarrez un TIMED DRY (séchage minuté) pour sécher les cols et les bandes de taille encore humides. À l'avenir, lorsque vous séchez une brassée avec des cols et des bandes de taille, choisissez More Dry (Plus Sec).
	C'est normal	Parce que votre Combo sèche les vêtements à une température constante dans un tambour scellé, ils peuvent ne pas être aussi secs ou aussi chauds au premier contact. Il suffit de les sortir et de les secouer et ils se sentiront secs en quelques secondes.
Les vêtements sont froissés	Laisser les articles reposer dans le Combo après la fin du cycle	Retirez les articles à la fin du cycle et pliez-les ou suspendez-les immédiatement, ou utilisez l'option Wrinkle Care (Anti-froissement).
	Surcharge	Séparez les grosses brassées en petites brassées. Chargez moins de vêtements; augmentez manuellement le temps.
Le Combo continue culbuter après que l'affichage indique Complete (Terminé)	Wrinkle Care (Anti-froissement) a été sélectionné	Assurez-vous que l'option Wrinkle Care (Anti-froissement) n'est pas sélectionnée.
L'eau s'écoule de la porte lorsqu'elle est ouverte	De l'eau résiduelle provenant du distributeur s'écoule dans le joint	L'eau du distributeur peut s'écouler dans le joint d'étanchéité lorsque la porte est ouverte pour la première fois. C'est normal. Vous voudrez peut-être attendre quelques secondes avant de récupérer les vêtements.
Chaleur générée par le Combo	C'est normal	Un peu de chaleur est générée par le système scellé situé sur le dessus de l'appareil. Il s'agit d'un fonctionnement normal.
Petits articles coincés dans la porte qui ne séchent pas	Les articles sont écrasés lors d'une rotation à haute vitesse ou sont poussés entre le joint et la vitre	Utilisez un sac en mailles de nylon pour les petits articles qui pourraient se coincer entre la vitre de la porte et le joint d'étanchéité et ne pas sécher complètement.

Remarques

REMARQUES

REMARQUES

Remarques

Garantie limitée de GE Appliances

www.electromenagersge.ca

Toutes les réparations sous garantie limitée seront effectuées par nos centres de réparation ou nos réparateurs autorisés. Pour planifier un service en ligne, rendez-vous sur Electromenagersge.ca/fr/soutien/demande-de-service ou appelez le **800.561.3344**. Veuillez fournir le numéro de série et le numéro de modèle lorsque vous appelez pour obtenir le service.

Pour le diagnostic, la réparation de votre appareil peut nécessiter l'utilisation du port de données embarqué. Celui-ci permet au technicien de réparation GE Appliances de diagnostiquer rapidement des problèmes avec votre appareil. Il permet également à GE Appliances d'améliorer ses produits en fournissant à ces derniers des informations sur votre appareil. Si vous ne voulez pas que les données de votre appareil soient envoyées à GE Appliances, veuillez demander à votre technicien de NE PAS soumettre les données à GE Appliances pendant la réparation.

Pendant la période de :	Nous remplacerons :
Un an À compter de la date d'achat d'origine	Toute pièce défectueuse en raison d'un vice de matériau ou de fabrication. Au cours de cette garantie limitée d'un an , nous fournirons également, sans frais , les pièces et la main-d'œuvre pour remplacer la pièce défectueuse.
Cinq ans À compter de la date d'achat d'origine	Le système de séchage scellé de la pompe à chaleur (compresseur, condenseur, évaporateur et tous les tubes de raccordement) qui tombe en panne en raison d'un défaut de matériaux ou de fabrication. Pendant cette garantie limitée complémentaire de quatre ans , vous serez responsable des frais de main-d'œuvre et de service associés.
Dix ans À compter de la date d'achat d'origine	Le moteur , si celui-ci se révèle défectueux en raison d'un vice de matériaux ou de fabrication. Pendant cette garantie limitée complémentaire de neuf ans , vous serez responsable des frais de main-d'œuvre et de service associés.

Ce qui n'est pas couvert :

- Toute visite à votre domicile pour vous expliquer le fonctionnement de l'appareil.
- L'installation, la livraison ou l'entretien inadéquats de l'appareil.
- Toute défectuosité du produit attribuable à une utilisation abusive ou inadéquate, s'il a été utilisé à toute autre fin que celle pour laquelle il a été conçu, ou s'il a été utilisé à des fins commerciales.
- Le remplacement des fusibles ou le réenclenchement des disjoncteurs de votre domicile.
- Les produits qui ne sont pas défectueux ou brisés, ou qui fonctionnent tel que décrit dans le Manuel de l'utilisateur.
- Tout dommage au produit attribuable à un accident, un incendie, une inondation ou une catastrophe naturelle.
- Tout dommage accessoire ou indirect, causé par des défaillances possibles de l'appareil.
- Les défectuosités ou les dommages causés par une utilisation de l'appareil à des températures situées sous le point de congélation.
- Tout dommage causé après la livraison.
- Tout produit auquel il n'est pas possible d'accéder pour effectuer les réparations nécessaires.

EXCLUSION DES GARANTIES IMPLICITES :

Votre seul et unique recours est de faire réparer le produit dans le cadre de cette garantie limitée. Toute garantie implicite, incluant la garantie de qualité marchande ou d'adaptabilité du produit à un usage particulier, est limitée à un an ou à la période la plus courte autorisée par la loi.

Cette garantie limitée est offerte à l'acheteur initial, ainsi qu'à tout propriétaire subséquent d'un produit acheté au Canada en vue d'une utilisation domestique au Canada. Si le produit se situe dans une zone où aucun réparateur agréé par GE Appliances n'est disponible, vous devrez peut-être assumer les frais de déplacement de celui-ci ou apporter le produit à un atelier de réparation agréé par GE Appliances.

Dans certains États ou province, il est interdit d'exclure ou de limiter les dommages indirects ou accessoires. Il est alors possible que les limitations ou exclusions ci-dessus ne s'appliquent pas dans votre cas. La présente garantie limitée vous confère des droits juridiques spécifiques. Vous pouvez bénéficier d'autres droits, qui varient d'un État ou d'une province à l'autre. Pour connaître les droits dont vous bénéficiez, communiquez avec le bureau des Relations avec les consommateurs de votre région ou de votre province.

Garant : MC Commercial Inc., Burlington, ON, L7R 5B6

GARANTIE LIMITÉE

Agrafez le reçu d'achat ici. Pour obtenir le service sous garantie, vous devez fournir la preuve de l'achat original.

Soutien au consommateur

Site Web de GE Appliances

Vous avez une question ou vous avez besoin d'aide pour votre appareil électroménager? Visitez le site Web de GE Appliances 24 heures par jour, tous les jours de l'année! Vous pouvez aussi y trouver d'autres formidables produits GE Appliances et tirer avantage de tous nos services d'assistance en ligne. Au Canada : **ElectromenagersGE.ca/fr**

Enregistrez votre électroménager

Enregistrez votre nouvel appareil en ligne au moment qui vous convient le mieux! L'enregistrement de votre produit dans les délais prescrits permet une meilleure communication et un service rapide, selon les modalités de votre garantie, si besoin est. Vous pouvez également envoyer par courrier la carte d'enregistrement pré-imprimée qui se trouve dans l'emballage de votre appareil.

Au Canada : **electromenagersge.ca/soutien-apres-vente**

Service de réparation

Un service de réparation expert GE Appliances se trouve à quelques pas de chez vous. Rendez-vous sur notre site et programmez, à votre convenance, une visite de réparation à n'importe quel jour de l'année.

Au Canada : **electromenagersge.ca/soutien-apres-vente** ou composez le 800.561.3344

Prolongation de garantie

Procurez-vous une prolongation de garantie GE Appliances et informez-vous des rabais spéciaux en vigueur pendant la durée de votre garantie. Vous pouvez vous la procurer en ligne en tout temps. Les services GE Appliances seront toujours disponibles après l'expiration de la garantie.

Au Canada : **electromenagersge.ca/achat-dune-garantie-prolongee** ou composez le 866.277.9842.

Connectivité à distance

Pour de l'assistance concernant la connectivité au réseau sans fil (pour les modèles équipés de cette fonction), visitez notre site Web au **electromenagersge.ca/connected-appliances** ou composez le 800.220.6899.

Pièces et accessoires

Les personnes ayant les compétences requises pour réparer elles-mêmes leurs appareils peuvent recevoir directement à la maison des pièces ou accessoires (les cartes VISA, MasterCard et Discover sont acceptées). Commandez en ligne 24 heures par jour.

Au Canada : **electromenagersge.ca/pièces-filtres-et-accessoires** ou composer le 800.661.1616.

Les instructions contenues dans le présent manuel comportent des procédures que tout utilisateur peut effectuer. Les autres types de réparation doivent généralement être confiés à un technicien qualifié. Utilisez de prudence : une réparation ou un entretien mal effectués peuvent rendre l'utilisation de l'appareil dangereuse.

Communiquez avec nous

Si vous n'êtes pas satisfait du service après-vente de GE Appliances, communiquez avec nous depuis notre site Web en fournissant tous les détails dont votre numéro de téléphone, ou écrivez à :

Au Canada : Director, Customer Relations | MC Commercial Inc. | Suite 300, 5420 North Service Road | Burlington, ON L7L 6C7
electromenagersge.ca/contactez-nous ou composer le 877.994.5366



Lavadora de carga frontal y secadora con bomba de calor

COMBINACIÓN

INFORMACIÓN DE SEGURIDAD 2

USO DEL COMBO
 Comenzando4
 Indicador de ayuda al consumidor 17
 Comunicación del Electrodoméstico 17
 Carga18

CUIDADO Y LIMPIEZA..... 19

INSTRUCCIONES DE INSTALACIÓN..... 22

CONSEJOS PARA LA SOLUCIÓN DE PROBLEMAS27

GARANTÍA LIMITADA35

ATENCIÓN AL CLIENTE..... 36

GUÍA DEL PROPIETARIO E INSTRUCCIONES DE INSTALACIÓN

PFQ97HS
ESPAÑOL

Escriba aquí el número de modelo, número de serie y dirección MAC ID de los modelos con WiFi:

N.º de modelo # _____

N.º de serie # _____

Se los encuentra en una etiqueta en el panel frontal debajo de la junta.

INFORMACIÓN IMPORTANTE DE SEGURIDAD

LEA TODAS LAS INSTRUCCIONES ANTES DE USAR

⚠ ADVERTENCIA

Para reducir el riesgo de muerte, incendio, explosión, descargas eléctricas, o lesiones personales al usar su electrodoméstico, siga las precauciones básicas, incluyendo lo siguiente:

- Lea todas las instrucciones antes de usar este electrodoméstico.
- Siga todas las instrucciones de cuidado de tejidos y advertencias para evitar el derretimiento de las prendas o daños al electrodoméstico.
- **NO** lave ni seque prendas que hayan sido previamente limpiadas, lavadas, mojadas o manchadas con gasolina, solventes de limpieza en seco, u otras sustancias inflamables o explosivas, ya que desprenden vapores que se podrían encender o explotar.
- **NO** utilice suavizadores o productos para eliminar la estática a menos que sea recomendado por el fabricante del suavizador o del producto.
- **NO** utilice consumibles a menos que sea recomendado por el fabricante del producto.
- **NO** agregue gasolina, solventes de limpieza en seco, u otras sustancias inflamables o explosivas al agua de lavado. Estas sustancias desprenden vapores que podrían prender fuego o explotar.
- **NO** coloque prendas expuestas a aceites de cocción en su unidad. Las prendas contaminadas con aceites de cocción podrían contribuir a una reacción química que podría hacer que una carga de ropa se prenda fuego. Para reducir el riesgo de incendio debido a cargas contaminadas, la parte final del ciclo de la secadora se produce sin calor (período de enfriamiento). Al final del ciclo, la puerta permanecerá cerrada durante el período de enfriamiento a fin de generar protección contra aquellas superficies que se calientan durante el secado. El período de enfriamiento será de aproximadamente 10 minutos antes de que la puerta se desbloquee.
- **NO** secar artículos que contengan gomaespuma o materiales de goma con textura similar.
- Limpie el filtro de pelusa cada 5 ciclos de secado.
- **NO** guarde materiales combustibles, gasolina u otros líquidos inflamables cerca de la unidad. Mantenga el área alrededor de la entrada de aire en el frente de la unidad y las áreas adyacentes circundantes libres de acumulación de pelusa, polvo y suciedad.
- El interior del electrodoméstico debe limpiarse periódicamente por personal calificado del servicio técnico.
- **NO** agregue toalla aromatizante en la máquina antes o durante el proceso de lavado del ciclo.
- **NO** rocíe ningún tipo de aerosol dentro, sobre, ni cerca del electrodoméstico en ningún momento. **NO** use ningún tipo de limpiador en spray para limpiar el interior del electrodoméstico. Se podrían producir vapores o una descarga eléctrica.
- Bajo ciertas condiciones, se puede producir gas de hidrógeno en un sistema de agua caliente que no ha sido usado por 2 semanas o más. **EL GAS DE HIDRÓGENO ES UN EXPLOSIVO**. Si el sistema de agua caliente no fue usado por dicho período, antes de usar una lavadora, abra todos los grifos de agua caliente y deje que corra agua de cada uno durante varios minutos. Esto liberará cualquier gas de hidrógeno acumulado. Debido a que el gas es inflamable, **NO** fume ni prenda una llama durante este proceso.
- **NO** permita que los niños jueguen sobre o dentro de este electrodoméstico. Cuando el electrodoméstico se use con niños alrededor, será necesario supervisarlos de cerca. Antes de dejar el electrodoméstico fuera de servicio o de deshacerse de este, quite la puerta o la tapa. Si no se siguen estas instrucciones, se podrá producir la muerte o lesiones personales.
- **NO** introduzca las manos en el electrodoméstico si el tambor se encuentra en movimiento a fin de evitar accidentes.
- **NO** instale ni guarde este electrodoméstico donde quede expuesto a los factores climáticos.
- **NO** manipule indebidamente los controles, repare ni reemplace partes del electrodoméstico, ni realice cualquier otro trabajo técnico, a menos que esto sea específicamente recomendado en las instrucciones de mantenimiento del usuario o en instrucciones publicadas sobre reparaciones, que entienda y para las cuales posea las destrezas necesarias.
- **NO** se trepe ni se pare sobre la unidad.
- **NO** intente usar este electrodoméstico si se encuentra dañado, funcionando mal, parcialmente desarmado, o si tiene partes faltantes o rotas, incluyendo un cable o enchufe dañado.
- Desenchufe el electrodoméstico o apague el disyuntor antes de realizar el servicio técnico. Presionar el botón **Power** (Encendido) **NO** desconecta el electrodoméstico del suministro de corriente.
- Para acceder a las instrucciones de conexión a tierra, lea los "REQUISITOS ELÉCTRICOS" ubicados en las Instrucciones de Instalación.
- **NO** utilice piezas de reemplazo que no hayan sido recomendadas por el fabricante. (Por ejemplo: piezas hechas en casa usando una impresora 3D).

INFORMACIÓN IMPORTANTE DE SEGURIDAD

LEA TODAS LAS INSTRUCCIONES ANTES DE USAR

⚠️ ADVERTENCIA

Bordes Afilados – Aunque no es necesario hacer este tipo de mantenimiento, para reducir el riesgo de lesiones, tenga cuidado cuando limpie el condensador o las aletas del evaporador.

Forma adecuada de descartar su electrodoméstico

- Descarte o recicle su electrodoméstico de acuerdo con las Regulaciones Federales y Locales. Comuníquese con las autoridades locales para descartar o reciclar su electrodoméstico de forma ambientalmente segura.

INSTALACIÓN CORRECTA

La unidad se debe instalar y colocar correctamente de acuerdo con las instrucciones de instalación, antes de utilizarla.

- Asegúrese de que la manguera de agua caliente esté conectada a la válvula “H” y que la manguera de agua fría esté conectada a la válvula “C”.
- Instale o almacene la unidad en un lugar donde no esté expuesta a temperaturas bajo cero ni a las inclemencias climáticas, ya que esto puede provocar daños irreversibles e invalidar la garantía.
- Conecte correctamente a tierra la unidad conforme a todos los códigos y ordenanzas regulatorias. El enchufe de salida debe estar alimentado por un disyuntor individual de 15 o 20 amperios o un fusible de retraso de tiempo, correctamente polarizado y conectado a tierra. Para más detalles, referirse a las Instrucciones de instalación.
- Asegúrese de que la unidad esté correctamente nivelada y que sus patas estén ajustadas de modo que la unidad se encuentre estable.
- GE Appliances recomienda enfáticamente el uso de piezas especificadas de fábrica. A continuación se encuentra una lista de mangueras de fábrica disponibles para la compra. Estas mangueras están fabricadas y probadas para cumplir con las especificaciones de GE Appliances.
- GE Appliances recomienda enfáticamente el uso de mangueras nuevas para el suministro de agua. Las mangueras se desgastan con el tiempo y deben reemplazarse cada 5 años para reducir el riesgo de roturas y daños provocados por el agua.
- Considere las opciones de reciclaje del material de embalaje de su electrodoméstico.

SECUENCIA AUTOMÁTICA DE DRENAJE

- La unidad se vacía automáticamente cada vez que la puerta se quede abierta durante más de 15 minutos y hay agua.
- La máquina drenará automáticamente si se deja en estado de pausa con la puerta cerrada durante más de 24 horas y hay agua presente.

CUANDO NO ESTÉ EN USO

- Cerrar las llaves de paso minimiza los salideros en caso de que se produzca una rotura o grieta. Compruebe el estado de las mangueras de suministro de agua; GE Appliances recomienda el cambio de las mangueras cada 5 años.

PIEZAS Y ACCESORIOS

Solicítelos en línea hoy mismo a GEApplianceparts.com, las 24 horas del día o por teléfono al **877.959.8688** en horario normal de trabajo.

Número de Pieza	Accesorio	Número de Pieza	Accesorio
WX14X10011	Mangueras para lavadora de 6 pies de acero inoxidable con codos de 90°; 2 unidades	WX08X10070	Tapón de ventilación para conductos de 4”
WH49X316	Kit de extensión de manguera de desagüe para lavadora - Aprox. 44”	PM14X10056	Conjunto de cepillos para electrodomésticos
WH41X36697	Ensamblaje de manguera Unicouple para lavadora de ropa	PM7X2	Bandeja de piso para lavadora de escala reducida universal - Blanco
GFAPC120V (o equivalente)	Convertidor de enchufe de 4 clavijas de 240 V a 110 V	GFR0728	Plataforma de 28 “de ancho sin cajón
		NOTA:	No se recomienda utilizar el pedestal de 28” de ancho con cajón con el Combo.

LEA Y GUARDE ESTAS INSTRUCCIONES

Puesta en Marcha

Es posible que las funciones y apariencias varíen con relación a su modelo a lo largo del manual.

⚠ ADVERTENCIA Para reducir el riesgo de incendios, descargas eléctricas o heridas, lea **INFORMACIÓN IMPORTANTE DE SEGURIDAD** antes de utilizar este electrodoméstico.

🕒 ¡Sin transferencia de carga! Inicie un ciclo antes del trabajo, antes de irse a la cama... ¡o cuando desee!
 Cuando elige **WASH + DRY** (Lavado y secado), no tiene que hacer nada más. El Combo lavará y luego secará sus prendas con gentileza en solo un par de horas, para que usted pueda continuar con su día. Por fin, lavado y secado de una.

📦 Es posible que la ropa se sienta un poco húmeda cuando termina el ciclo de secado, ¡pero en realidad está seca!

Debido a que el Combo seca la ropa a baja temperatura en un tambor sellado, es posible que se sienta ligeramente húmeda o fría al tocarla por primera vez. Simplemente, saque y sacuda la ropa, se sentirá seca en cuestión de segundos.

🌀 Lava y seca una carga en solo un par de horas. Los tiempos pueden modificarse antes y durante los ciclos.

El Combo aprende sus patrones de carga, tipos de tela y hábitos. Puede notar que el tiempo total del ciclo se ajustará durante un ciclo y de carga a carga en función del tamaño de la carga, el nivel de suciedad y el centrifugado después del lavado.

📏 El filtro de pelusas de dos etapas de fácil acceso garantiza un flujo de aire de alta eficiencia.

El flujo de aire de alta velocidad filtrado y recirculado permite al combo ofrecer un excelente desempeño de secado. Notará que se generan menos pelusas en comparación con las secadoras estándar, gracias a esta circulación de aire. Espere los recordatorios para limpiar el filtro.

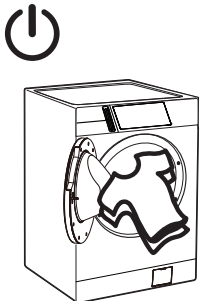
⚙️ ¡Fácil de usar y con muchas opciones! Explore todas las funciones.

No se complique con el detergente y el suavizante: SmartDispense. Inicie el Combo desde su teléfono: Remote Start (Inicio remoto). Aumente el nivel de secado del lavado de ropa: **More Dry** (Más seco).

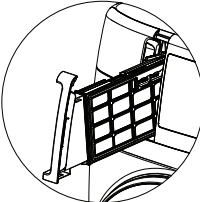
Reduzca las arrugas al final del ciclo: **Wrinkle Care** (Antiarrugas).

¿No habla inglés?: Cambiar **Language** en el **Menú**. Coloque una hoja para secadora Wash Complete (Lavado completo) 🔔 notifica cuando hacerlo.

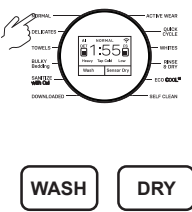
1 Encienda el Combo y cárguela con prendas clasificadas.



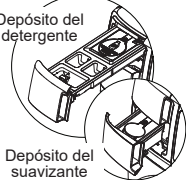
2 Compruebe el filtro por ambos lados. Para obtener la mejor eficiencia de secado, es importante comenzar con un filtro limpio.



3 Seleccione un ciclo Wash + Dry (Lavado y secado). Si lo desea, puede elegir que se realice solo el lavado o el secado.




4 Dosifique manualmente o utilice la opción SmartDispense después de llenarlo con detergente y/o suavizante. Elija otras opciones de lavado y secado según lo desee.



5 Cuando esté listo, toque el botón Start/Pause (Inicio/Pausa) y deje que el Combo realice el lavado y secado gracias a que no requiere transferencia de carga.



6 Si lo desea, consulte la aplicación SmartHQ en su teléfono para recibir notificaciones, ajustar las opciones, añadir más tiempo de secado u obtener más información sobre el Combo.



Aplicación SmartHQ habilitada

Existen varias opciones compatibles con el Combo conectado a Wi-Fi, que están disponibles a través de la aplicación SmartHQ.

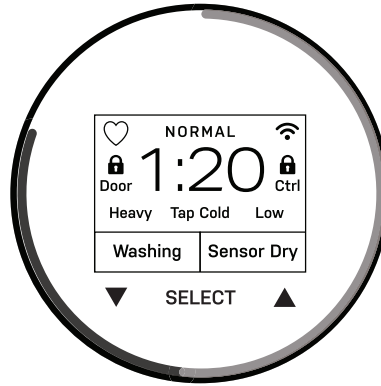
Esta aplicación no solo le permite recibir mejoras y actualizaciones del software de el Combo de forma inalámbrica, sino que también desbloquea funciones especiales del Combo.



Puesta en Marcha

Pantalla y las luces de estado

(Las funciones y apariencia variarán)










La pantalla muestra las opciones de ciclo seleccionadas, el tiempo restante aproximado hasta el final del ciclo y el estado del ciclo para los modos de **WASH** (Lavado) y **DRY** (Secado): PreWashing (Lavado previo), Washing (Lavado), Rinsing (Enjuague), Spinning (Centrifugado), Drying (Secado), Complete (Terminado).

NOTA: El tiempo del ciclo se ve afectado por el tiempo que tarda en llenarse el Combo, según la presión del agua en su hogar. El tiempo del ciclo también se ajusta en función de que posiblemente sea necesario volver a balancear la carga húmeda para centrifugarla completamente. Y, por último, para los ciclos con **DRY** (Secado) añadido, el Combo ajustará el tiempo de secado para alcanzar el contenido de humedad final deseado.

Si un problema de desbalance es detectado por el Combo, la luz de **Spin** (de estado de centrifugado) o luz de **Spin** (selección de opción de centrifugado) titilará durante la parte restante del ciclo y permanecerá iluminada durante un período de tiempo corto luego de que se complete el ciclo. Cuando esto sucede, el Combo está realizando acciones para corregir el problema de desbalance y completar el ciclo normalmente. En algunos casos, es posible que el Combo no logre balancear la carga y no gire a toda velocidad. Si nota que la carga está más húmeda de lo habitual al final de la parte de lavado del ciclo, redistribuya la carga de forma pareja en el tambor del Combo y corra un ciclo de **Rinse & Dry** (Enjuagar y Secar).

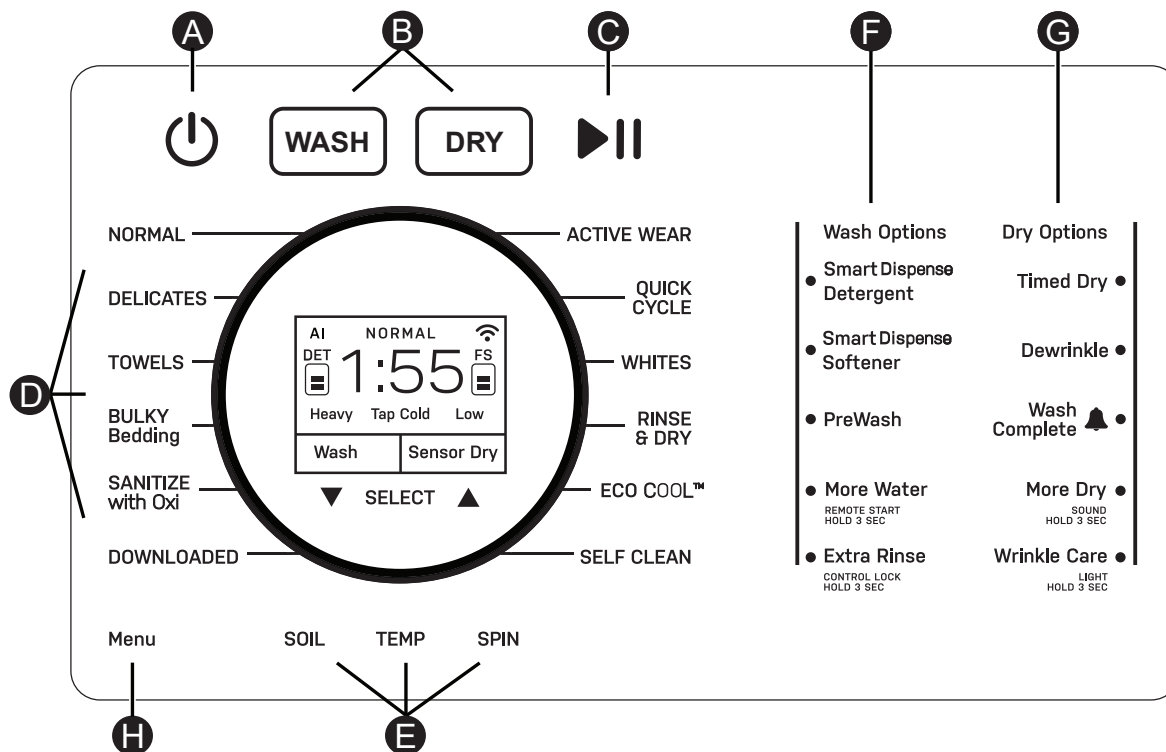
El **ANILLO DE LUZ** mostrará un solo LED junto al ciclo seleccionado hasta que lo inicie. Acto seguido, mostrará una cuenta regresiva, representativa del tiempo de ciclo total. El anillo de luz se iluminará de forma que la mitad izquierda es de color azul e indica el ciclo de lavado y la mitad derecha es de color magenta e indica el ciclo de secado. Además, el **ANILLO DE LUZ** puede iluminarse con otros patrones para recordarle que se debe realizar mantenimiento, indicar la finalización del ciclo, la configuración Wi-Fi, y/o para resaltar mensajes de advertencia.

Además, esta pantalla mostrará:

 (WiFi)	Permitirá a tu electrodoméstico comunicarse con su teléfono inteligente por control remoto y recibir notificaciones. Permanecerá encendido siempre que el Combo esté encendido y que este sea conectado.
 Ctrl	Los controles del Combo están bloqueados cuando esté ícono se ilumina. Se deberá mantener presionada la tecla Control Lock (Bloqueo de controles) para desbloquear los controles.
 Door	Este ícono se iluminará mientras la puerta esté bloqueada y parpadeará mientras el Combo se encuentre en el proceso de pausa y luego de desbloqueo.
	Este icono indica que está utilizando las opciones guardadas con MySettings (Mis ajustes) para el ciclo seleccionado. Para guardar MySettings (Mis ajustes) para un ciclo, luego de elegir el ciclo, seleccione sus opciones preferidas y mantenga presionado el nombre del ciclo hasta que aparezca el ícono de corazón. En el futuro, simplemente seleccione ese ciclo y MySettings (Mis ajustes) se activará al instante. Si el icono del corazón tiene las letras "AI" en el interior () , significa que el Combo ha programado MySettings (Mis ajustes) automáticamente para ese ciclo en particular según las opciones que se eligen con frecuencia.
 DET	El detergente se dosificará automáticamente desde el depósito SmartDispense: La cantidad de detergente dosificado dependerá del peso y el nivel de suciedad de la ropa y la marca de producto seleccionada. Puede ajustar esta opción para dosificar MORE (Más) o LESS (Menos) detergente o seleccione OFF (Apagar) si desea dosificar manualmente.
 FS	El suavizante de tejidos se dosificará automáticamente desde el dispensador SmartDispense: La cantidad de suavizante dosificado dependerá del peso de la ropa y la marca del producto seleccionado. Puede ajustar esta opción para dosificar MORE (Más) o LESS (Menos) suavizante de telas o seleccione OFF (Apagar) a fin de dosificar manualmente.

Puesta en Marcha

Las funciones y apariencia variarán.



- A Power (Encender/Apagar)** - Presione para "activar" la pantalla. Si la pantalla está activa, presione para poner el Combo en modo de espera "Off" (Apagado).
- NOTA:** Presionar **Power** (Apagado) no desconecta el electrodoméstico del suministro de corriente.
- B WASH & DRY:** De forma predeterminada, el Combo selecciona ambos, **WASH** (Lavado) y **DRY** (secado), para cada ciclo. Puede elegir que se realice únicamente el ciclo de lavado (**WASH**) si cancela la selección del botón **DRY** (Secado). De igual manera, puede elegir que se realice únicamente el ciclo de secado (**DRY**) si cancela la selección del botón **WASH** (Lavado). Si inicia únicamente un ciclo de lavado (**WASH**), es posible añadir un ciclo de secado (**DRY**) antes de completar el ciclo de lavado.
- C Start and Pause (Inicio y Pausa)** - Presione este botón para iniciar un ciclo. Si el Combo está en funcionamiento, al presionarlo una vez, el Combo se detendrá y se desbloqueará la puerta. La puerta tardará unos segundos en desbloquearse después de presionar **Pause** (Pausa). Vuelva a presionar el botón para reiniciar el ciclo.
- NOTA:** Si el Combo está en pausa, la puerta se abre y el ciclo no se reinicia en 15 minutos, el ciclo actual se cancelará. Si el Combo está en pausa con la puerta cerrada y el ciclo no se reinicia en 24 horas, el ciclo actual se cancelará. En ambos casos, el Combo drenará el agua del depósito después de cancelar el ciclo.
- NOTA:** El Combo realiza revisiones automáticas del sistema después de presionar el botón **Start** (Inicio). El flujo de agua se iniciará en 45 segundos o antes. Podrá escuchar la puerta bloquearse, desbloquearse y a la bomba activarse antes de que comience a fluir el agua.
- D Ciclos** - Los ciclos se han diseñado para tipos específicos de cargas de lavado. El siguiente cuadro le ayudará a encontrar la mejor combinación entre las prendas que serán lavadas y las mejores configuraciones de ciclos. Para un rendimiento óptimo, seleccione el ciclo más conveniente para las prendas que serán lavadas. **Delay Start/Remote Start** (Inicio aplazado/Inicio remoto) está disponible en todos los ciclos.
- Cuando también se selecciona **DRY** (Secado), el Combo realiza un **Sensor Dry** (Secado por sensor) a baja temperatura después de que haya completado el ciclo de lavado personalizado. Los procesos de secado de todos los ciclos son similares entre sí tal cual si se hubiese seleccionado la operación de **DRY** (Secado) únicamente.

Puesta en Marcha

D Ciclos (Continuación)

Salvando las opciones favoritas en **My Settings** (Mis ajustes): Para guardar los ajustes de cualquier ciclo, mantenga presionado el nombre del ciclo después de configurar el Combo con las opciones deseadas y antes de presionar Start (Iniciar). De esa manera, se salvarán sus ajustes favoritos y verá un icono en forma de corazón en la parte superior izquierda de la pantalla en ese momento y cada vez que se seleccione ese ciclo en el futuro. Esta será su configuración de **My Settings** (Mis ajustes) guardada para ese ciclo, a menos que decida almacenar la nueva configuración repitiendo el proceso antes descrito.

Ciclo	Artículos Recomendados
Normal	Ciclo para uso normal, regular o típico para lavar o secar hasta una carga completa de ropa de algodón con suciedad normal.
	<p>NOTA: La certificación ENERGY STAR® de lavadoras se prueba en el ciclo NORMAL - WASH (Lavar) (Solo lavar) y en el nivel de SOIL (Suciedad) normal.</p>
	<p>NOTA: La certificación ENERGY STAR de secadoras se prueba con el ciclo NORMAL: DRY (Secado) (Solo secado automático) y Eco Dry (Secado ecológico) desactivado de forma predeterminada.</p>
	<div style="display: flex; justify-content: space-around;"> <div style="border: 1px solid black; padding: 5px; text-align: center;"> <p>NORMAL</p> <p>1:55</p> <p>Door</p> <p>Heavy Tap Cold Low</p> <p>Wash Only</p> </div> <div style="border: 1px solid black; padding: 5px; text-align: center;"> <p>NORMAL</p> <p>1:55</p> <p>Door</p> <p>Sensor Dry Only</p> </div> </div>
	NOTA: El ahorro de energía variará entre cargas y ciclos.
Delicates (Delicadas)	Lencería y telas que requieren cuidado especial con poca suciedad.
Towels (Toallas)	Toallas, sábanas, fundas de almohadas y paños de cocina.
Bulky Bedding (Ropa de Cama Voluminosa)	Comforters, abrigos de cama grandes, colchas, fundas de colchones, bolsas de dormir e ítems voluminosos similares.
Sanitize with Oxi (Desinfectar con Oxi)	Ítems que no destiñen y que al encontrarse muy sucios es necesario desinfectarlos. No se podrá usar para el ciclo Sensor Dry Only (Solo Secado por Sensor) o Timed Dry Only (Solo Secado por Tiempo).
Active Wear (Ropa Deportiva)	Ropa de uso atlético con suciedad entre media y leve de textiles técnicos o sintéticos.
Quick Cycle (Rápido Ciclo)	Para pequeñas cantidades de prendas con poca suciedad que se necesitan de forma rápida.
Whites (Ropa Blanca)	Ropa de color blanco y menaje del hogar.
Rinse & Dry (Enjuagar y Secar)	Para artículos que solo deben enjuagarse y no lavarse. Este ciclo le ofrece dos versiones cuando se selecciona Dry (Secado): Rinse & Dry (Enjuague y secado) o Drain & Dry (Drenaje y secado) si se cancela la selección de Extra Rinse (Enjuague extra). Le ofrece dos versiones adicionales cuando se cancela la selección de Dry (Secado): Rinse & Spin (Enjuague y centrifugado) o Drain & Spin (Drenaje y centrifugado) (si se cancela la selección de Extra Rinse (Enjuague extra)). Siempre se realiza el centrifugado, a menos que seleccione No Spin (Desactivar centrifugado).
Eco Cool (Lavado en Frío)	Ciclo para uso normal, regular o típico para lavar hasta una carga completa de ropa de algodón con suciedad normal utilizando solo agua fría mientras proporciona un rendimiento equivalente al del lavado normal con temperatura cálida.
Downloaded (Descargado)	Use la aplicación SmartHQ para descargar un ciclo especializado para su Combo.
Power Clean (Limpieza Potente)*	Para artículos muy sucios que requieren más potencia de limpieza.
Jeans*	Jeans con suciedad media a ligera.
Swim Wear (Ropa de baño)*	Ropa de baño con suciedad media a ligera.
Air Fluff (Secado sin calor)*	Proporciona 15 minutos (hasta 4 horas, si lo desea) de tiempo de centrifugado con aire filtrado recirculado y sin calor.
Dewrinkle (Desarrugar)	Ciclo diseñado para reducir las arrugas de una carga pequeña seca o ligeramente húmeda.
Self Clean (Autolimpieza)	Limpieza de residuos y olores del tambor No use este ciclo para lavar ropa.

NOTAS:

Las temperaturas del agua del ciclo **Sanitize With Oxi** (Desinfectar con Oxi) NO PUEDEN ser modificadas. Este ciclo, cuando es usado con un aditivo de Oxi junto con su detergente, fue diseñado para eliminar el 99% de las bacterias encontradas en la lavandería hogareña. Mida el detergente y los productos de Oxi cuidadosamente. Al usar las cantidades adecuadas para una carga grande y con mucha suciedad en lavadoras de carga frontal, siga las instrucciones de las etiquetas del detergente y del producto de Oxi. La conexión del suministro de agua caliente del Combo deberá brindar una temperatura mínima de 120°F para asegurar la efectividad de este ciclo. La parte llamada **WASH** (Lavado) del ciclo **SANITIZE with Oxi** (Desinfectar con Oxi) fue diseñada y probada de acuerdo con el **Protocolo P172 de la NSF**, en cumplimiento con los requisitos de desinfección efectiva.

*Disponible a través de ciclos descargados (**Downloaded**).

El nombre y la marca ENERGY STAR® son marcas comerciales registradas propiedad de la Agencia de Protección Ambiental (EPA, por sus siglas en inglés) de los EE. UU.

Puesta en Marcha

D Ciclos - Continuación

Los ciclos se han optimizado para tipos específicos de cargas. La siguiente tabla le ayudará a encontrar la mejor combinación entre las prendas que serán lavadas y las mejores configuraciones de ciclos. Para un rendimiento óptimo, seleccione el ciclo más conveniente para las prendas que serán lavadas. **Delay Start/Remote Start** (Inicio aplazado/Inicio Remoto) está disponible en todos los ciclos.

		Ciclos de lavado														Self Clean (Autolimpieza)			
		Normal	Delicates (Delicadas)	Towels (Toallas)	Bulky Bedding (Ropa de Cama Voluminosa)	Active Wear (Ropa Deportiva)	Quick Cycle (Ciclo rápido)	Whites (Blancos)	Rinse & Dry (Enjuagar y Secar)	Eco Cool (Lavado en Frío)	Power Clean* (Limpieza Potente)	Jeans*	Swim Wear* (Ropa de baño)	Sanitize with Oxi † (Desinfectar con Oxi)	Air Fluff** † (Secado sin calor)	Dewrinkle † (Desarrugar)	Self Clean (Autolimpieza)		
Nivel de suciedad																			
Ajustes de lavado	Extra Heavy (Extra sucio/Muy sucio)	•		•	•	•		•		•	•	•	•	•					
	Heavy (Sucio)	•		•	•	•		•		•	•	•	•	•					
	Normal (Normal)	•	•	•	•	•	•	•		•	•	•	•	•					
	Light (Ligero/Poco)	•	•	•	•	•	•	•		•	•	•	•	•					
	Extra Light (Extra ligero)	•	•	•	•	•	•	•		•	•	•	•	•					
	Temperatura de lavado																		
	Extra Hot (Muy caliente)	•						•			•			•					
	Hot (Caliente)	•	•		•			•			•			•					
	Warm (Cálida)	•	•	•	•	•	•	•			•		•	•					
	Cold (Fría)	•	•	•	•	•	•	•		•	•		•	•					
Tap Cold (Fría de grifo)	•	•	•	•	•	•	•		•	•		•	•						
Selección de giro																			
Ex High (Max)	•		•	•		•	•	•	•	•	•	•	•	•					
High (Alto)	•		•	•		•	•	•	•	•	•	•	•	•					
Medium (Medio)	•	•	•	•	•	•	•	•	•	•	•	•	•	•					
Low (Bajo)		•	•	•	•	•	•	•	•	•	•	•	•	•					
No Spin (Sin centrifugado)		•				•			•				•						
Opciones de lavado																			
SmartDispense™ - Detergente	•	•	•	•	•	•	•	•	•	•	•	•	•	•	•	•	•		
SmartDispense™ - Suavizante	•	•	•	•	•	•	•	•	•	•	•	•	•	•	•	•	•		
Prewash (Prelavado)	•	•	•	•	•	•	•	•	•	•	•	•	•	•	•	•	•		
More Water (Más Agua)	o	•	•	•	•	•	•	•	•	•	•	•	•	•	•	•	•		
Extra Rinse (Enjuague Adicional)	•	•	•	•	•	•	•	•	•	•	•	•	•	•	•	•	•		
Opciones de secado																			
Sensor Dry (Automático)	•	•	•	•	•	•	•	•	•	•	•	•	•	•	•	•	•		
Timed Dry (Secado cronometrado)	•	•	•	•	•	•	•	•	•	•	•	•	•	•	•	•	•		
Wash Complete (Terminado)	•	•	•	•	•	•	•	•	•	•	•	•	•	•	•	•	•		
More Dry** (Más seco)	•	•	•	•	•	•	•	•	•	•	•	•	•	•	•	•	•		
Wrinkle Care (Antiarrugas)	•	•	•	•	•	•	•	•	•	•	•	•	•	•	•	•	•		

Este ciclo es solo para la limpieza periódica de el Combo. Consulte la sección Self Clean (Autolimpieza) para obtener más información.

• Ajuste disponible

Ajustes de fábrica

* Disponible en los ciclos descargados (**DOWNLOADED**).

o disponible en **WASH + DRY** (Lavado y secado), pero no para **WASH** (Lavado) solamente.

** No disponible cuando se selecciona **Timed Dry** (Secado cronometrado).

† Disponible en **WASH + DRY** (Lavado + Secado) y **WASH** (Lavado) únicamente. No disponible en **Sensor Dry Only** (Secado automático únicamente) o en **Timed Dry Only** (Secado cronometrado únicamente).

‡ Ciclo **Timed Dry Only** (Secado cronometrado únicamente)

Puesta en Marcha

E Configuraciones

Configuraciones individuales para el nivel de suciedad (**SOIL**), temperatura de agua (**TEMP**) y Velocidad de centrifugado (**SPIN**) se pueden configurar de menos a más. Los cambios realizados con estos botones se muestran en la pantalla LCD justo debajo del tiempo del ciclo. Estos ajustes solo impactan la parte de lavado (**WASH**) del ciclo y no afectan el secado.

SOIL (Suciedad)

Al presionar **SOIL** level (Nivel de suciedad), aumenta o disminuye el tiempo de lavado con el fin de eliminar las distintas cantidades de suciedad.

Para cambiar el nivel de suciedad, pulse el botón **SOIL** (Nivel de suciedad) hasta obtener el nivel deseado. Puede elegir entre los niveles de suciedad **Extra Light** (Muy poca), **Light** (Poca), **Normal** o **Heavy** (Mucha) en la mayoría de los ciclos.

TEMP (Temperatura)

Ajuste este control para seleccionar la temperatura del agua adecuada para el ciclo.

Siga las indicaciones de cuidado de tejido en la etiqueta de las prendas al seleccionar la temperatura de lavado.

Para cambiar la temperatura de lavado, pulse el botón **TEMP** (Temperatura) hasta obtener el valor deseado. Puede elegirse entre **Tap Cold** (Frío de grifo), **Cold** (Frío), **Warm** (Cálida), **Hot** (caliente) o **Extra Hot** (Muy caliente) en la mayoría de los ciclos. Por diseño, a fin de proteger las telas, no todas las temperaturas de lavado están disponibles para ciertos ciclos. **Extra Hot** (Muy caliente) utilizará el 100 % de agua caliente del suministro de agua. El Combo no calienta el agua.

Estos ajustes se aplican solo a la parte de lavado (**WASH**) del ciclo. Los ajustes de **TEMP** (Temperatura) seleccionan la temperatura del agua en **WASH** (Lavado) y no cambian la temperatura del aire para **DRY** (Secado).

El agua de enjuague durante el prelavado (**PreWash**) está siempre fría para reducir el consumo de energía, evitar manchas y arrugas.

NOTA: Los 10 primeros segundos del suministro de agua, siempre usa agua fría. Esto permite acondicionar los tejidos y evitar que las manchas se adhieran a las prendas.

SPIN (Centrifugado)

El ajuste de la velocidad de **SPIN** (Centrifugado) cambia la velocidad de centrifugado final de la parte de lavado del ciclo. Siga siempre las indicaciones de cuidado del fabricante en la etiqueta de de la prenda al cambiar la velocidad de centrifugado.

Para cambiar la velocidad de centrifugado (**SPIN**), pulse el botón **SPIN** hasta obtener el valor deseado. Puede elegir entre **No Spin** (sin centrifugado), **Low** (bajo), **Medium** (medio), **High** (alto) o **Max**. Las velocidades de centrifugado más rápidas no están disponibles en determinados ciclos, como **Delicates** (Delicadas) o **Active Wear** (Ropa Deportiva). Al seleccionar altas velocidades, se elimina más agua de las prendas y se reduce el tiempo de secado, pero también puede aumentar la posibilidad de que se formen arrugas en algunos tejidos.

NOTA: El Combo llevará a cabo el centrifugado si se solicita **DRY** (Secado) aunque **NO SPIN** (Sin centrifugado) haya sido seleccionado para la parte de lavado (**WASH**) del ciclo.

NOTA: Este Combo cuenta con un sistema **dBt™ (Tecnología de Equilibrio Dinámico)**. Esta tecnología de sensor patentada, permite un equilibrar en tiempo real el proceso de centrifugado para cada carga, ahorrando tiempo y brindando un lavado suave. Esto debería permitir tiempos de lavado más consistentes y una reducción en general de ruidos y vibraciones. Si el Combo experimenta cualquier ruido, vibración o temblor excesivos, simplemente Pause el Combo, abra la puerta, y de forma manual redistribuya la carga antes de reiniciar el ciclo.

Puesta en Marcha

F Opciones de lavado

SmartDispense™ (Dispensado inteligente) - Detergente

Cuando se selecciona, esta función añade detergente automáticamente al lavado según el tamaño de la carga, eliminando la necesidad de agregar detergente a cada carga. Presionar varias veces este botón pasará por los niveles de dosificación **AUTO** (Automático), **MORE** (Más) y **LESS** (Menos). Los niveles que se visualizan en la pantalla LCD y el indicador LED junto al botón estarán en **ON** (Encendido) y **OFF** (Apagado) (el nivel se muestra como apagado en la pantalla LCD y el indicador LED estará apagado). El Combo también cuenta con la capacidad **Adaptive SmartDispense** con la aplicación SmartHQ. Con esta mejora, puede seleccionar el tipo específico de detergente y, además de usar la información sobre el tamaño de la carga, modificará la dosis según las recomendaciones del fabricante del detergente. Vea la sección **SmartDispense - Detergente** para más detalles.

SmartDispense™ (Dispensado inteligente) - Suavizante

Cuando se selecciona, esta función añade suavizante automáticamente al enjuague final según el tamaño de la carga, eliminando la necesidad de agregar suavizante a cada carga. Presionar varias veces este botón pasará por los niveles de dosificación **AUTO** (Automático), **MORE** (Más) y **LESS** (Menos). Los niveles que se visualizan en la pantalla LCD y el indicador LED estarán en **ON** (Encendido) y **OFF** (Apagado) (el nivel se muestra como apagado en la pantalla LCD y el indicador LED estará apagado). El Combo también cuenta con la capacidad **Adaptive SmartDispense** con la aplicación SmartHQ. Con esta mejora, puede seleccionar el tipo específico de suavizante y, además de usar la información sobre el tamaño de la carga, ajustará la dosis según las recomendaciones del fabricante del suavizante. Vea la sección **SmartDispense - Suavizante** para más detalles.

PreWash (Prelavado)

El prelavado es un lavado adicional que se realiza antes del lavado principal. Utilícelo con prendas muy sucias o con aquellas prendas en cuyas etiquetas de cuidado se recomienda realizar un prelavado.

NOTA: El detergente en **PreWash** (Lavado previo) solo se puede utilizar desde el depósito de **SmartDispense Detergente**. **SmartDispense** (Dispensado Inteligente) agregarán de forma automática la cantidad apropiada de detergente para lavado previo en base al tamaño de la carga. Si decide anular la selección de **SmartDispense** detergente para colocar una dosis de detergente de forma manual, no se puede activar el **PreWash** (Lavado previo).

PreWash (Prelavado) se debe de seleccionar antes de presionar **Start** (Iniciar).

La característica de **PreWash** (Prelavado) llenará el Combo (agregando el detergente de prelavado), girará la ropa, efectuará el desagüe y el centrifugado. Luego el Combo realizará el ciclo seleccionado.

NOTA: En algunos ciclos especiales, **PreWash** (prelavado) se selecciona automáticamente por defecto. Usted puede apagar esta selección en cualquier momento. El lavado principal utilizará detergente nuevo del compartimento manual de detergente o del depósito de **SmartDispense** si se selecciona **SmartDispense**. Si lo activa, no añade detergente adicional.

More Water (Más agua)

Esta opción suma aproximadamente 3 galones a las partes de lavado y enjuague del ciclo. Si la opción es seleccionada antes del inicio del ciclo, el agua será agregada desde el comienzo del ciclo del lavado y más tarde en el enjuague. Si la opción es seleccionada durante la parte del lavado, se agregará más agua en este punto y luego en el enjuague. Asimismo, si se selecciona la opción **More Water** (Más Agua) una vez que se haya completado la parte del lavado, el Combo agregará más agua al enjuague únicamente. Si se completó el lavado y el enjuague, la tecla **More Water** (Más Agua) ya no estará activa.

Remote Start (Inicio remoto)

Después de elegir el ciclo y las opciones deseadas, mantenga presionado el botón **More Water/Remote Start** (Más agua/Inicio remoto) durante 3 segundos para permitir que el Combo inicie un ciclo desde la aplicación SmartHQ. La pantalla LCD mostrará un cuadro morado como primera secuencia antes de las operaciones de **WASH** (Lavado) en color azul y/o **DRY** (Secado) en color magenta para ese ciclo para indicar que el Combo esperará su comando para comenzar el ciclo. Es importante presionar el botón **Start/Pause** (Inicio/Pausa) para confirmar que desea activar **Remote Start** (Inicio remoto) por completo. Escuchará el pulso de la bomba de desagüe dos veces y el bloqueo de la puerta para indicar que el Combo está sincronizada con la aplicación.

Para cancelar **Remote Start** (Inicio remoto), puede mantener presionado el botón **More Water/Remote Start** (Más agua/Inicio remoto) una vez más o apagar el combo.

Remote Start (Inicio remoto) también se puede iniciar desde Menu (**Menú**) bajo el elemento **Delay Start** (Inicio retrasado) encendiéndolo desde allí.

Extra Rinse (Enjuague adicional)

Esta opción permite un enjuague adicional durante un ciclo a fin de eliminar suciedad y detergente excesivo de cargas con suciedad. Para seleccionarlo, presione el botón **Extra Rinse** (Enjuague Adicional).

Puesta en Marcha

F Opciones de lavado (Continuado)

Control Lock (Light-Control Lock pad)/ Bloquear de control (Luz-Bloquear de control botón)

Puede bloquear los controles para impedir que se realice cualquier selección. O bien puede bloquear los controles después de haber iniciado un ciclo. Con esta opción seleccionada, los niños no podrán poner en marcha el Combo de manera fortuita aunque toquen el panel.

Para bloquear/desbloquear los controles de el Combo, mantenga pulsado el botón **Control Lock** (Bloquear de control) durante 3 segundos. Se accede manteniendo presionado el botón **Extra Rinse** (Enjuague extra). Se escuchará un sonido que indica la condición de bloqueado/desbloqueado. El icono de bloqueo de los controles que aparece en la pantalla se encenderá cuando esté activado.

NOTA: El botón **Power** (Encendido/Apagado) puede seguir utilizándose cuando **Control Lock** está activo.

G Opciones secas

Timed Dry (Secado temporizado) (desactiva el secado por sensor)

De forma predeterminada, el Combo siempre utilizará la función Sensor Dry (Secado por sensor) siempre que se seleccione **DRY** (Secado) como parte de un ciclo. El secado por sensor finalizará el ciclo de secado cuando el Combo detecte que la ropa está seca. En su lugar, puede seleccionar un secado temporizado seleccionando la opción **Timed Dry** (Secado temporizado). **NOTA:** Dado que elige el tiempo de secado exacto, el ciclo finalizará en el tiempo prescrito independientemente del nivel de secado de su carga.

Utilice los botones ▲ y ▼ situados debajo de la pantalla LCD para ajustar los tiempos de secado en incrementos de 15 minutos. Los ajustes se pueden realizar en cualquier momento durante el ciclo.

Dewrinkle (Quitar arrugas)

La característica **Dewrinkle** (Quitar arrugas) es un ciclo de **Timed Dry** (Secado temporizado) de 35 minutos dedicado que ingresa una pequeña cantidad de vapor de agua en las prendas y utiliza aire temperatura y alta velocidad para ayudar a quitar las arrugas de las prendas. Está diseñado para cargas de 1 a 8 prendas de peso ligero a medio. Existe un beneficio mínimo para cargas más grandes.

Wash Complete (Lavado completo) 🔔

Para recibir una alerta sonora en la máquina y a través de la aplicación SmarthQ (si está conectada) cuando la parte de **WASH** (Lavado) del ciclo haya finalizado y antes de continuar con **DRY** (Secado), seleccione la característica **Wash Complete** 🔔 (Lavado completo). Esta característica le ofrece la oportunidad de comprobar la carga, retirar ciertas prendas o añadir una hoja para secadora antes de que comience la parte de secado del ciclo. La máquina procederá directamente al secado unos minutos después de que suene esta alerta, independientemente de si decide pausar y reiniciar el ciclo.

More Dry (Más seco)

Seleccione esta opción para ampliar el tiempo de secado en 20 minutos al final del ciclo **Sensor Dry** (Secado por sensor) para lograr un mayor grado de secado para la carga. Esta opción se puede almacenar como parte de **MySettings** (Mis ajustes) para cada ciclo si prefiere este nivel de secado.

Sound (Sonido)

Puede **encender** y **apagar** los tonos de los botones y los sonidos del indicador manteniendo presionado el botón **More Dry/Sound** (Más seco/Sonido) durante 3 segundos. El nivel de **Sound** (sonido) se puede ajustar desde **Menu** (Menú).

Wrinkle Care (Cuidado de arrugas)

Seleccione esta opción para sacudir la ropa al final de un ciclo. Para un solo ciclo de **WASH** (Lavado), las prendas se sacudirán intermitentemente durante un periodo de 8 horas para mantenerlas más frescas y que sean menos propensas a arrugarse. Para un ciclo de **WASH** (Lavado) y **DRY** (Secado) o **DRY** (Secado) únicamente, **Wrinkle Care** (Cuidado de arrugas) girará la ropa de forma intermitente sin calor durante ocho horas para mantener la ropa más fresca y menos propensa a que se formen arrugas.

Mientras el Combo está funcionando en este modo, puede presionar **OFF** (Apagar) o **Pause** (Pausar) en la máquina para desbloquear la puerta y retirar las prendas. Sin embargo, no puede reiniciar **Wrinkle Care** (Cuidado de arrugas) después de realizar esas acciones.

Light (Luz del tambor)

La luz del tambor se encenderá y permanecerá activada durante 5 minutos cuando la puerta se abra o manteniendo presionado el botón de la luz durante 3 segundos.

Para acceder al botón de **Light** (la luz), mantenga presionado el botón **Wrinkle Care** (Cuidado de arrugas) durante 3 segundos. Al presionar cualquier botón durante el ciclo se encenderá temporalmente la luz de la cesta durante 30 segundos.

Puesta en Marcha

H Opciones del menú

⊙ Back	
Detergent	Good
Softener	Good
AI Active	On
Animations	On
Brightness	High
Delay Start	⊙
Eco Dry	Off
Help	⊙
Language	English
Sound Level	Low
Wash/Dry Times	On
Wi-Fi	Connected

Detergent (Detergente)

Esto muestra el estado del nivel del depósito **SmartDispense: Detergente**. Las opciones de estado son **Good** (Bueno), **Low** (Bajo) o **Empty** (Vacío). Si el estado es **Low** (Bajo), se muestra el número estimado de cargas restantes antes de que se muestre **Empty** (Vacío).

Softener (Suavizante)

Esto muestra el estado del nivel del depósito **SmartDispense: Suavizante**. Las opciones de estado son **Good** (Bueno), **Low** (Bajo) o **Empty** (Vacío). Si el estado es **Low** (Bajo), se muestra el número estimado de cargas restantes antes de que se muestre **Empty** (Vacío).

AI Active (IA activa)

Active esta función para habilitar ciertas funciones de IA, como **Adaptive MySettings**, o a medida que otras funciones de IA estén disponibles. **Adaptive MySettings** aprenderá sus hábitos de lavado y creará **MySettings** (Mis ajustes) automáticamente para los ciclos y las opciones que utiliza con frecuencia. Si desactiva esta función, solo se podrán crear **MySettings** (Mis ajustes) manuales en futuros casos.

Animations (Animaciones)

Active o desactive las animaciones de la pantalla de bienvenida y de despedida de GE Profile.

Brightness (Brillo)

Ajuste el brillo de la pantalla. Seleccione **High** (Alto), **Medium** (Medio) o **Low** (Bajo).

Delay Start (Inicio retrasado)

Seleccione para retrasar hasta 24 horas el inicio de un ciclo de lavado o para iniciar el Combo de manera remota desde su teléfono inteligente utilizando la aplicación SmartHQ y activando la característica **Time Delay/Remote Start** (Retraso de tiempo/Inicio remoto).

- **Time Delay (Retraso de tiempo):** Seleccione **Time Delay** (Retraso de tiempo) para retrasar hasta 24 horas el inicio de un ciclo. Utilice las flechas para ajustar las horas de retraso y, a continuación, presione **Select** (Seleccionar) para establecerlas. Use las flechas otra vez para ajustar los minutos de retraso en incrementos de 15 minutos y, a continuación, presione **Select** (Seleccionar) () para configurar. Se mostrará el tiempo de retraso deseado. Seleccione **Time Delay** (Retraso de tiempo) de nuevo para desactivarlo.
- **Remote Start (Inicio remoto):** Si conectó el Combo a la red Wi-Fi, puede habilitar el inicio remoto de su lavadora desde la aplicación de GE Appliances para teléfonos inteligentes. Utilice esta opción para activar o desactivar la característica. Esta función también se puede activar directamente mediante el botón **More Water/Remote Start** (Más agua/Inicio remoto) del panel de control.

Eco Dry (Secado ecológico)

Active esta característica desde el **menú** para reducir el tiempo total del ciclo con el fin de utilizar menos energía total en el secado. Si **activa** esta característica, sus artículos estarán menos secos al final del ciclo en comparación con cuando esta característica está **desactivada**. De forma predeterminada, esta característica está **desactivada**.

Puesta en Marcha

H Opciones del menú (cont.)

Help (Ayuda)

Abra este submenú para obtener información y mostrar códigos QR que vinculan con la documentación del producto, le permiten acceder a contenido de soporte técnico en línea u obtener información sobre características avanzadas.

Language (Idioma)

Cambie el idioma de la pantalla a **English** (inglés), **Spanish** (español) o **French** (francés).

Sound Level (Nivel de sonido)

Ajuste el volumen de la señal de fin del ciclo y el volumen de los botones. Seleccione **High** (Alto), **Low** (Bajo) u **Off** (Apagado).

Wash/Dry Times (Tiempos de lavado/secado)

Si se **activa** esta característica, la pantalla LCD mostrará el tiempo estimado restante del **Wash** (lavado) y el **Dry** (secado) por separado en la barra de colores del **Wash** (lavado) y el **Dry** (secado). El tiempo del ciclo estimado total restante siempre se mostrará en la pantalla principal.

WiFi

La configuración de fábrica para el WiFi está **Apagado**. Puede **activarlo** o **desactivarlo** desde el Menú o durante el proceso de Bienvenida al configurar su Combo. La función WiFi le permite configurar o reiniciar su conexión WiFi en la unidad. La misma indicará "Conectado" si configuró de forma correcta su Combo para su red hogareña.

Puesta en Marcha

Cajones dispensadores: descripción general

El Combo está equipada con dos cajones de SmartDispense. El cajón superior se puede utilizar para la dosificación manual de detergente, blanqueador y suavizante de telas. El compartimento trasero del cajón superior puede almacenar hasta 50 oz de detergente líquido para la dosificación de SmartDispense: Detergente (Detergente). El cajón inferior se utiliza para la dosificación de suavizante de telas desde SmartDispense y puede almacenar hasta 32 oz de suavizantes líquidos.

Para cada ciclo de lavado, independientemente de si activa o no SmartDispense en los controles, los compartimentos manuales se utilizarán y lavarán con agua limpia. Por lo tanto, si tiene previsto utilizar detergente y/o suavizante mediante SmartDispense, no debe llenar los compartimentos manuales del detergente y/o suavizante.

NOTA: El blanqueador, los detergentes en polvo y los enjuagues desinfectantes solo se pueden dispensar manualmente.

Depósito de detergente

Abra lentamente el depósito de detergente tirando de él hasta que se detenga. Tras añadir los productos de lavado, ciérrelo despacio. Si cierra el depósito demasiado rápido, puede provocar que la lejía, el suavizante o el detergente se administren antes de tiempo.

Es posible que observe agua en los compartimentos de detergente, lejía y suavizante al final del ciclo. Este es el resultado de la acción de trasvase y forma parte del funcionamiento normal de el Combo.

NO coloque paquetes de detergente en el cajón dispensador.

NOTA: Use sólo detergentes y aditivos HE líquidos o en polvo en el cajón dispensador. Los paquetes de detergente para ropa sucia sólo se deberían agregar directamente al tubo de el Combo, siguiendo las instrucciones del fabricante.



Use sólo detergente de alta eficiencia HE



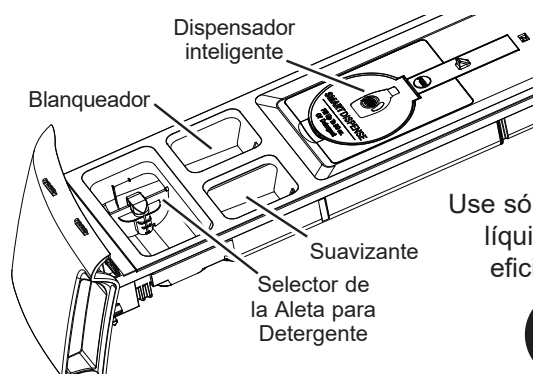
SmartDispense - Detergente

Cuando se selecciona, esta característica añade detergente automáticamente al lavado, eliminando la necesidad de añadir detergente para cada carga.

La selección de la cantidad de detergente en el panel de control estará en **AUTO** por omisión cuando se encienda el Combo por primera vez. Cuando se seleccione **AUTO**, la cantidad de detergente necesario para cada carga de lavado será determinada de forma automática en base al tamaño de la carga que la máquina determine.

Para activar la función **AUTO** (Automático), el Combo dispensará aproximadamente 1.5 onzas de detergente para una carga normal de 8 libras. Para otras cargas, hará un ajuste de forma proporcional en base al tamaño de la carga y el tipo de prendas. Si selecciona **LESS** (Menos), la cantidad de detergente se reducirá en un 40 % con respecto al nivel **AUTO** (Automático) predeterminado. Es posible que se desee esto cuando se cuente con detergente más concentrado o si cuenta con agua muy blanda. Para cargas muy sucias, puede seleccionar **MORE** (Más) para añadir un 40 % más de detergente que el nivel **AUTO** (Automático) predeterminado. Puede seleccionar la marca/ tipo de detergente en la Aplicación SmarHq, de modo que el Combo realice ajustes en base a las recomendaciones de los fabricantes de detergente. Estos ajustes del fabricante se adaptarán a los ajustes utilizados para las cantidades de dosificación **AUTO** (Automático), **MORE** (Más) y **LESS** (Menos).

NOTA: No todos los ciclos permitirán el uso de la función **SmartDispense - Detergente** (Dispensador inteligente - Detergente). Si la luz no aparece iluminada y presionar el botón **SmartDispense - Detergente (Dispensador Inteligente)** produce un pitido, entonces no es posible usar la función SmartDispense (Dispensado Inteligente) en el ciclo que fue seleccionado. Se deberá agregar el detergente directamente en el compartimiento de detergente para estos ciclos.



Use sólo detergente líquido de alta eficiencia HE



Si se desea agregar detergente de forma manual a una carga específica:

1. Presione la tecla **SmartDispense - Detergente** (Dispensador Inteligente) en el panel de control hasta que su luz se apague, lo cual indicará que la función **SmartDispense** (Dispensador Inteligente) fue apagada.
2. Configure la solapa del compartimiento de detergente en relación al tipo de detergente que se usará - Polvo o Líquido. Consulte la sección del Compartimiento de Detergente.
3. Agregue la cantidad de detergente deseada en el compartimiento de detergente.

Si la pantalla indica que el tanque de SmartDispense (Dispensado Inteligente) estima que la cantidad de detergente es insuficiente para el lavado de la carga, la pantalla LCD le avisará. El Combo aún podrá realizar un ciclo, pero sugirió que se agregue detergente en el compartimiento manual para detergente o que se vuelva a llenar el tanque de **SmartDispense** (Dispensado Inteligente).

Puesta en Marcha

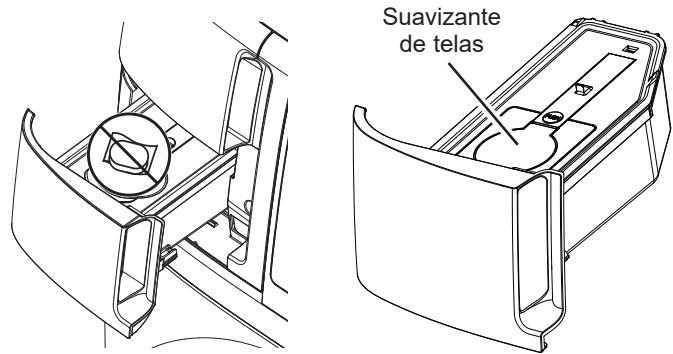
SmartDispense - Suavizante de telas

Cuando se selecciona, esta característica añade suavizante de telas automáticamente al lavado, eliminando la necesidad de añadir suavizante de telas para cada carga.

La selección de la cantidad de suavizante de telas en el panel de control estará en **AUTO** por omisión cuando se encienda el Combo por primera vez. Cuando se seleccione **AUTO**, la cantidad de suavizante de telas necesario para cada carga de lavado será determinada de forma automática en base al tamaño de la carga que la máquina determine.

Para activar la función **AUTO** (Automático), el Combo dispensará aproximadamente .85 onzas de suavizante de telas para una carga normal de 8 libras. Para otras cargas, hará un ajuste de forma proporcional en base al tamaño de la carga y el tipo de prendas. Si selecciona **LESS** (Menos), la cantidad de suavizante de telas se reducirá en un 10 % a 20 % con respecto al nivel **AUTO** (Automático) predeterminado. Es posible que se desee esto cuando se cuente con suavizante de telas más concentrado o si cuenta con agua muy blanda. Para cargas muy sucias, puede seleccionar **MORE** (Más) para añadir un 20 % más de suavizante de telas que el nivel **AUTO** (Automático) predeterminado. Puede seleccionar la marca/ tipo de suavizante de telas en la Aplicación SmartHQ, de modo que el Combo realice ajustes en base a las recomendaciones de los fabricantes de suavizante de telas. Estos ajustes del fabricante se adaptarán a los ajustes utilizados para las cantidades de dosificación **AUTO** (Automático), **MORE** (Más) y **LESS** (Menos).

NOTA: No todos los ciclos permitirán el uso de la función **SmartDispense - Suavizante de telas** (Dispensador inteligente - suavizante de telas). Si la luz no aparece iluminada y presionar el botón **SmartDispense - Suavizante de telas** produce un pitido, entonces no es posible usar la función SmartDispense (Dispensador Inteligente) en el ciclo que fue seleccionado. Se deberá agregar el suavizante de telas directamente en el compartimiento de suavizante de telas para estos ciclos.



Si se desea agregar suavizante de telas de forma manual a una carga específica:

1. Presione la tecla **SmartDispense - Suavizante de telas** (Dispensador inteligente - suavizante de telas) en el panel de control hasta que su luz se apague, lo cual indicará que la función **SmartDispense - Suavizante de telas** (Dispensador inteligente - suavizante de telas) fue apagada.
2. De forma manual añada la cantidad deseada de suavizante de telas en el compartimiento del suavizante de **telas del cajón dispensador superior**.

Si la pantalla indica que el tanque de **SmartDispense - Suavizante de telas** (Dispensador inteligente - suavizante de telas) estima que la cantidad de suavizante de telas es insuficiente para el lavado de la carga, la pantalla LCD le avisará. El Combo aún podrá realizar un ciclo, pero sugirió que se agregue suavizante de telas en el compartimiento manual para suavizante de telas o que se vuelva a llenar el tanque de Suavizante de telas **SmartDispense - Suavizante** (Dispensador inteligente - suavizante de telas).

NO coloque paquetes de detergente en el cajón **SmartDispense: Suavizante**.

Utilice únicamente suavizante de telas líquido en el cajón **SmartDispense: Suavizante**.

NOTA: No vierta suavizante de telas directamente sobre la carga de lavado.

Puesta en Marcha

Compartimento para el detergente - Dosis manual (Cajón del Dispensador Superior)

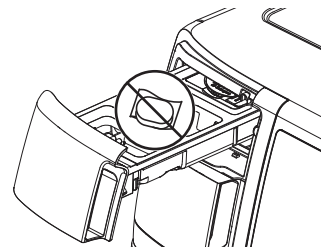
Use sólo detergente con alto nivel de eficiencia en esta lavadora. **NO supere la línea MAX al colocar el detergente con alto nivel de eficiencia. Use la cantidad de detergente recomendada por el fabricante.**

- **Detergente en Polvo** – Levante la aleta para el detergente en polvo. Esto deberá ser realizado para disolver y descargar el detergente de forma apropiada. Siga las instrucciones del fabricante de detergente al medir la cantidad de polvo a usar.
- **Detergente Líquido** – Mantenga la aleta hacia abajo para el detergente líquido. Esto retiene el detergente líquido hasta que se descarga automáticamente al comenzar el ciclo. Siga las instrucciones del fabricante de detergente al medir la cantidad de líquido a usar.


Es posible que el uso del detergente se deba ajustar con relación a la temperatura del agua, dureza del agua, tamaño y nivel de suciedad de la carga. Evite usar demasiado detergente en el Combo, ya que puede producir exceso de jabón, residuos de detergente en la ropa, y podría extender los tiempos de lavado.

No use grandes cantidades de detergente en el dispositivo de suministro de jabón, ya que pueden provocar escapes.

NO coloque paquetes de detergente en el cajón dispensador.



Compartimento para lejía líquida - Dosis manual (Cajón del Dispensador Superior)

Si lo desea, mida la cantidad recomendada de lejía líquida, que no sobrepase 1/3 del recipiente (80 ml) y viértala en el compartimento central con la etiqueta "Liquid Bleach" (Lejía líquida) marcado con este símbolo .

Se recomienda el uso de lejía de alta eficiencia (HE) con esta lavadora de carga frontal.

No sobrepase la línea de llenado máximo. Un llenado excesivo puede hacer que la lejía se administre demasiado pronto y, como resultado, dañe las prendas.

NOTA: No use paquetes de blanqueador en polvo ni de detergente/ aditivo para ropa sucia en el dispensador.

Compartimento para el suavizante - Dosis manual (Cajón del Dispensador Superior)

Si lo desea, vierta la cantidad recomendada de suavizante líquido en el compartimento con la etiqueta "Fabric Softener" (Suavizante).

Utilice sólo suavizante líquido en el depósito.

No sobrepase la línea de llenado máximo. Un llenado excesivo puede hacer que el suavizante se administre demasiado pronto y manche las prendas.

NOTA: No vierta directamente el suavizante sobre la carga.

NOTA: El compartimento del suavizante de telas se utilizará en el enjuague final del ciclo de lavado. Este compartimento también se puede utilizar para acomodar otros enjuagues líquidos, como desinfectantes y líquidos para realzar la tela. El uso de estos otros productos debe estar certificado por el fabricante del líquido para garantizar la seguridad en el uso de lavarropas residenciales y lavadoras/secadoras combinadas. Compruebe cuidadosamente, ya que ciertos líquidos pueden invalidar la garantía de el Combo.

Indicador de Ayuda al Consumidor

Su lavadora está equipada con la función Consumer Help Indicator (Indicador de Ayuda al Consumidor, CHI). CHI es nuestra forma de comunicar una solución simple para algunas acciones que usted puede realizar sin la necesidad de llamar al servicio técnico. El siguiente cuadro describe los mensajes útiles que podrá ver pasar por la pantalla al regresar para iniciar otra carga. Estos mensajes brindarán soluciones simples que puede realizar de forma rápida.

Spin (Luz intermitente de giro)	Si una condición de desequilibrio es detectado por el Combo, el indicador de Giro (Spin) parpadeará durante la parte restante del ciclo y permanecerá iluminado durante un corto tiempo después del fin del ciclo. Cuando este ocurre, el Combo está tomando medidas para corregir la condición de desequilibrio y completar el ciclo normalmente. En algunos casos, es posible que el Combo no pueda ser capaz de equilibrar la carga y girar a plena velocidad. Si se observa que la carga es más húmedo de lo normal al fin del ciclo, redistribuye la carga de manera uniforme en el tambor de lavado y ejecute un ciclo de Drain & Spin (Drenaje y Giro). (Para más detalles, consulte sobre la función de Rinse & Dry (Enjuague y secado) descripción del ciclo en la sección de Comienzo – Opciones).
“Confirm H2O Supply is ON” (El agua no entra a el Combo)	Controle el suministro de agua del hogar. ¿Olvidó abrir una o ambas válvulas luego de la instalación o al volver de sus vacaciones? Tan pronto como el mensaje comience a pasar, el Combo iniciará un período de bloqueo de 4 minutos. Los controles de el Combo no responden/ cambian durante este tiempo. Luego de 4 minutos, puede comenzar el ciclo nuevamente. Si intenta eludir el período de bloqueo desenchufando el Combo, el temporizador de 4 minutos se iniciará nuevamente.
“Cycle Canceled Draining” (Ciclo cancelado, drenando)	“Cycle Canceled Draining” (Ciclo cancelado, drenando) puede desplazarse en la pantalla si la máquina se detuvo por más de 24 horas o si la máquina se ha parado por si misma debido a ciertos errores antes que el ciclo sea completado. Tan pronto como el mensaje comience a desplazarse, el Combo se iniciará un período de bloqueo de 4 minutos. Los controles de el Combo no responderán/cambiarán durante este tiempo. Luego de 4 minutos puede comenzar el ciclo nuevamente. Si intenta eludir el período de bloqueo desenchufando el Combo, el temporizador de 4 minutos se iniciará de nuevo. Si el problema persiste, llame al 800.432.2737 para el servicio.
“DOOR OPEN” (Puerta abierta)	“DOOR OPEN” (Puerta abierta) aparecerá en la pantalla si intenta iniciar un ciclo cuando la puerta no esté completamente cerrada. “door” (puerta) también se exhibirá en la pantalla si se iniciaron 3 ciclos sin abrir la puerta. El Combo no iniciará otro ciclo hasta que la puerta esté completamente cerrada.
“Check and Clean Drain Pump Filter” (Comprobación y limpieza del filtro de la bomba de drenaje)	“Check and Clean Drain Pump Filter” (“Comprobación y limpieza del filtro de la bomba de drenaje”) cuando el Combo detecte una obstrucción en el área de drenaje que sea el resultado de artículos que interfieran con el drenaje de agua. Consulte la sección Cuidado y limpieza: Filtro de la bomba para obtener más información.

Comunicación del Electrodoméstico

WiFi Connect (Conexión WiFi)

Su lavadora está habilitada para **GE Appliances WiFi Connect**.

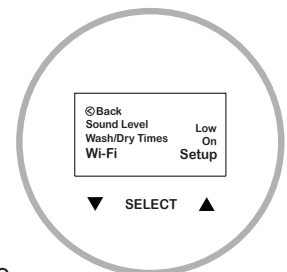
Se recomienda enfáticamente conectar el Combo al WiFi a fin de descargar el software más reciente, recibir actualizaciones de forma periódica y acceder a los beneficios de muchas de las funciones extendidas que están disponibles a través de la Aplicación SmartHQ. Muchas de las funciones de su Combo requieren conexión a la Aplicación SmartHQ.

Visite www.GEAppliances.com/connect e ingrese su número de modelo para mostrarle los pasos apropiados para conectar su aparato y para obtener más información sobre las características de los electrodomésticos conectados.

Es posible que no necesite conocer el ID de la MAC para conectar inicialmente el Combo a SmartHQ, pero puede encontrarla en la sección WI-FI del menú de el Combo.

Conectividad WiFi: Para recibir asistencia en relación al electrodoméstico o la conectividad de red de **ConnectPlus**, comuníquese GE Appliances al **800.220.6899**.

Escanee aquí para comenzar.



Carga

Siempre siga las instrucciones del fabricante de la ropa cuando lave.

Separación de cargas

Separe por color (blancos, claros, colores), nivel de suciedad, tipo de tela (algodones rústicos, limpieza fácil, delicados) y si la tela produce pelusa (tela de toalla, felpilla) o junta pelusa (terciopelo, pana). Lave los productos de pelusas tales como toallas de algodón y medias aparte de los recolectores de pelusas, incluyendo prendas sintéticas y pantalones de vestir.

ADVERTENCIA - Riesgo de incendio

NO lave tejidos sucios con líquidos inflamables o disolventes de limpieza.

Ninguna lavadora puede eliminar el aceite por completo.

NO seque artículos que se hayan mojados o manchados con algún tipo de aceite.

NO toque el interior de la unidad antes de que todas las partes en movimiento se hayan detenido.

Si lo hace, eso puede ocasionar la muerte, explosión, incendio o amputación.

Carga de el Combo

Puede que el tambor de el Combo esté totalmente lleno con prendas sueltas que se añadan.

Para añadir artículos en el Combo una vez iniciado el lavado, pulse **Start/Pause** (Iniciar/Pausa) y espere hasta que se desbloquee la puerta. El Combo puede tardar unos 20 segundos en desbloquear la puerta después de pulsar **Start/Pause** (Iniciar/Pausa), dependiendo de las condiciones de la misma. No intente forzar la puerta para abrirla cuando esté bloqueada. Una vez que se desbloquee, ábrala con cuidado. Añada prendas, cierre la puerta y pulse **Start/Pause** (Iniciar/Pausa) para reiniciar el funcionamiento.

Tipo de carga	Carga mixta*	Toallas y sábanas	Prendas delicadas**	Ropa de trabajo	Carga pequeña (2 a 5 artículos)
Ciclo sugerido	NORMAL	TOWELS (TOALLAS)	DELICATES (PRENDAS DELICADAS)	JEANS	QUICK CYCLE (CICLO RÁPIDO)
Contenido de la carga	*6 camisas de vestir 3 pantalones de vestir 3 camisetitas de poliéster 3 camisetitas 4 pares de pantalones cortos 6 bóxeres ○ 6 camisetitas 4 pantalones deportivos 4 sudaderas 2 sudaderas con capucha 7 pares de calcetines	4 fundas de almohada 2 toallas de mano 2 hojas planas/ 2 hojas ajustadas 2 toallas de baño/ 4 toallas pequeñas ○ 2 sábanas planas tamaño "Queen" 2 sábanas ajustadas tamaño "Queen" 4 fundas de almohada	7 sostenes 7 calzones 3 enaguas 2 camisolas 4 camisones **Se recomienda utilizar una bolsa de malla de nailon para artículos pequeños.	4 jeans 5 camisas de trabajo 3 pantalones de trabajo	1 par de pantalones informales 2 camisas informales ○ 3 uniformes de fútbol

*Se utiliza como consumidor representativo de 10 lb. Carga mixta para estimar el tiempo total del ciclo de aproximadamente dos horas para el ciclo **Normal Wash + Dry** (Lavado y secado normal) con **Eco Dry** (Secado ecológico) activado. Los resultados individuales pueden variar según el contenido real de la carga.

Cuidado y limpieza

⚠️ ADVERTENCIA

Bordes Afilados – aunque no es necesario hacer este tipo de mantenimiento, para reducir el riesgo de lesiones, tenga cuidado cuando limpie las aletas del tubo del condensador o evaporador.

Exterior

Limpie inmediatamente cualquier vertido. Limpie los derrames o compuestos de limpieza con un paño húmedo. El panel de control y los acabados de el Combo pueden resultar dañados por productos utilizados como tratamiento previo al lavado y removedores de manchas. Aplique estos productos lejos de el Combo. La tela luego puede lavarse y secarse de manera normal. Los daños provocados a su lavadora por estos productos no están cubiertos por la garantía. No aplique objetos afilados a la superficie.

Interior

Limpie alrededor de la abertura de la puerta de su Combo, de la junta flexible (incluyendo mangueras adheridas) y de la puerta de vidrio. Estas áreas deberán estar siempre limpias para asegurar el sellado en la circulación del agua. Se recomienda realizar una limpieza profunda de la junta con desinfectante para eliminar pelusas y otros restos de suciedad. También se podrá activar el ciclo **Self Clean** (Autolimpieza) con este propósito.

Compartimento del filtro

Retire el marco del filtro y limpie periódicamente el interior del compartimento del filtro. Utilice una aspiradora con un accesorio de boquilla estrecha o el conjunto de cepillos para electrodomésticos (n.º de pieza **PM14X10056**). Al limpiar, tenga cuidado de no dañar ni doblar las aletas del evaporador que se encuentran justo dentro del área a la derecha de la abertura.

El conjunto de cepillos para electrodomésticos se puede solicitar en **GEApplianceparts.com**.

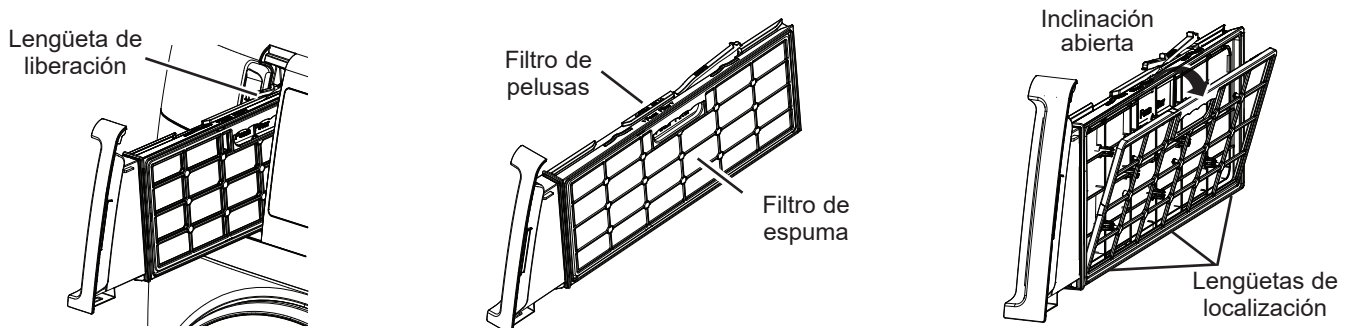
Filtros

El compartimento del filtro contiene una carcasa de dos etapas que consta de un filtro de pelusas y un filtro de espuma. Para acceder a los filtros, retire lentamente el marco del filtro de el Combo tirando recto hacia fuera y presionando la lengüeta para liberar.

Filtro de pelusas: Limpie el filtro de pelusas después de cada 5 ciclos de secado pasando los dedos por él. Un recordatorio útil aparecerá en la pantalla. Se puede formar una acumulación cerosa en el filtro de pelusas al usar hojas para suavizante de telas. Para eliminar esta acumulación, lave el filtro de pelusas con agua tibia y jabón. Seque bien y reemplace.

Filtro de espuma: Limpie el filtro de espuma de forma periódica (aproximadamente cada 50 ciclos) o cuando el Combo lo notifique. Abra el marco del filtro y retire el filtro de espuma. Enjuague el filtro y deseche las pelusas. Inserte el filtro de espuma de nuevo en el marco del filtro utilizando las lengüetas de localización como guía. Asegúrese de que el filtro esté correctamente alineado en el marco.

NOTA: Si la espuma está rota o deformada, parte **WH01X35719**, no la reutilice. Puede solicitar espuma de repuesto en **GEApplianceparts.com**.



Aspire las pelusas del marco del filtro y dentro de la abertura del filtro si nota un cambio en el rendimiento del secarropas.

El Combo le sugerirá cuándo limpiar el filtro de pelusas y el filtro de espuma.

NUNCA OPERE EL COMBO SIN COLOCAR LOS FILTROS.

Cuidado y limpieza

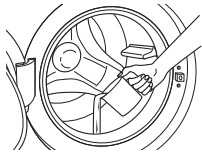
Self Clean (Autolimpieza)

Para limpiar la parte interna de el Combo, seleccione la característica **SELF CLEAN** del panel de control. Este ciclo **Self Clean** debería ser activado, como mínimo, una vez por mes aprox. cada 40 ciclos. Este ciclo usará más agua, además de blanqueador que se puede añadir de manera opcional, para controlar la velocidad a la que se pueden acumular la suciedad y los detergentes en el Combo.



NOTA: Lea las instrucciones por completo antes de comenzar el ciclo **Self Clean** (Autolimpieza).

1. Quite las prendas u objetos de el Combo y verifique que el tambor de el Combo se encuentre vacío.
2. Paso opcional: Abra la puerta de el Combo y vierta en la canasta una taza o 250 ml de líquido blanqueador u otro limpiador para lavadoras.
3. Cierre la puerta por completo y vuelva a iniciar el ciclo **SELF CLEAN** (AUTOLIMPIEZA). Presione el botón **Start** (Inicio).
4. Cuando el ciclo **Self Clean** (Autolimpieza) esté funcionando, la pantalla mostrará el tiempo restante estimado del ciclo. El ciclo se completará en alrededor de 50 minutos. No interrumpa el ciclo.



Después de que se realice **Self Clean** (Autolimpieza), el Combo realizará automáticamente un paso de secado de 60 minutos para eliminar el exceso de humedad del interior del mismo. Puede optar por cancelar este paso de secado. Hacerlo no afectará al rendimiento. Puede optar por cancelar este paso de secado. Hacerlo no afectará al rendimiento de **Self Clean** (Autolimpieza).

Si por alguna razón debe interrumpirse el ciclo, la puerta no se abrirá de inmediato. Tratar de abrir la puerta en esta etapa puede hacer que el agua se derrame. La puerta se abrirá después de que el agua haya drenado hasta un nivel en el que no inunde el piso.

La Self Clean (Autolimpieza) puede interrumpirse presionando el botón **Start/Pause** (Inicio/Pausa) durante el funcionamiento. its operation. Un corte de energía en el hogar también puede interrumpir el ciclo. Cuando se reanuda el servicio eléctrico, el ciclo **Self Clean** (Autolimpieza) continúa desde el punto en el que se había detenido. Cuando se interrumpe, asegúrese de realizar un ciclo completo de **Self Clean** (Autolimpieza) antes de utilizar el Combo . Si se presiona el botón **Power** (Encendido) durante **Self Clean** (Autolimpieza), el ciclo se cancelará.

IMPORTANTE:

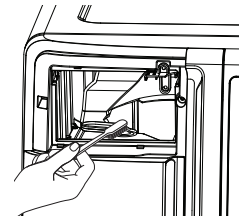
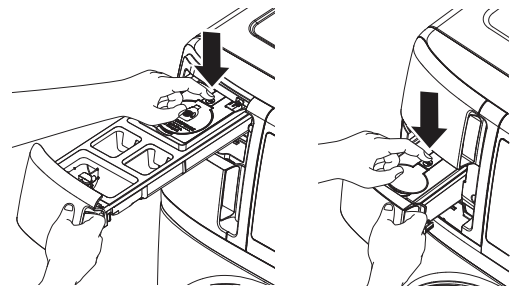
- Haga funcionar el ciclo **Self Clean** (Autolimpieza) una vez por mes.
- Después de finalizar un ciclo **Self Clean** (Autolimpieza), el interior de la unidad puede tener un “olor a blanqueador” fuerte si elige usar este producto para ayudar a la característica de **Self Clean** (Autolimpieza).
- Se recomienda lavar una **Rinse & Dry** o carga de colores claros después del ciclo **Self Clean**, si se utilizó blanqueador.

Áreas del cajón del dispensador y suavizante

El detergente y el suavizante de telas pueden acumularse en los cajones dispensadores. Los residuos deben eliminarse una o dos veces al mes.

Realice lo siguiente para cada uno de los dos cajones:

- Saque el depósito tirando de él hasta que se detenga. Luego acerque la mano a la parte trasera de la cavidad del cajón y presione firmemente sobre la lengüeta de bloqueo, quitando el cajón.
- Enjuague el cajón con agua caliente para quitar los restos acumulados de productos de lavado.
- Para limpiar la abertura del depósito, utilice un cepillo pequeño a fin de limpiar el hueco. Retire todos los restos de las partes superior e inferior del hueco.
- Introduzca de nuevo el depósito de detergente.
- Para reducir la acumulación en la zona del depósito:



Use sólo detergente de alta eficiencia HE

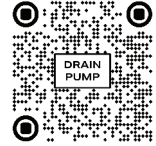


Cuidado y limpieza

Filtro de la bomba

Debido a la naturaleza de la unidad de carga frontal, es posible que a veces pasen partículas pequeñas a la bomba. El Combo tiene un filtro para capturar las prendas perdidas y las prendas que podrían causar obstrucciones para que no se eliminen en el drenaje. Para recuperar prendas perdidas y eliminar residuos potencialmente atrapados, limpie el filtro de la bomba.

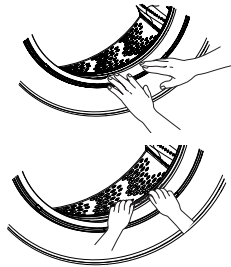
1. Utilizando un destornillador de lados planos o una moneda, abra la puerta de acceso.
2. Coloque una bandeja o plato poco profundo bajo la puerta de acceso y toallas en el piso frente a el Combo para proteger el piso. Es normal que salga alrededor de una taza de agua cuando se quita el filtro.
3. Baje el pico vertedor.
4. Gire el filtro de la bomba en sentido contrario a las agujas del reloj y quite el filtro lentamente, controlando el flujo del agua que sale.
5. Quite el filtro y limpie las suciedades.
6. Vuelva a colocar el filtro y gire en sentido de las agujas del reloj. Ajuste bien.
7. Eleve el pico vertedor.
8. Close the access door by hooking the bottom tabs first, then rotating the access door shut.



Junta de la puerta

Abra la puerta de el Combo . Usando ambas manos, presione la junta de la puerta hacia abajo.

Mientras sostiene la junta de la puerta, inspeccione el pliegue interior. Retire cualquier objeto extraño que se pueda encontrar atrapado dentro de la junta.



Quite los objetos extraños que encuentre atrapados dentro de esta junta. Asegúrese de que no haya ningún objeto bloqueando los orificios ubicados detrás de la junta.

Cuando haya terminado de limpiar la junta de la puerta, quite las manos y las juntas volverán a la posición de funcionamiento.

NOTA: Se recomienda encarecidamente que ejecute la función Self Clean (Autolimpieza) según esas instrucciones para asegurarse de que la junta se limpie como parte de ese paso de mantenimiento.



Mangueras de suministro de aguas

De forma periódica, inspeccione que no haya pérdidas de agua, desgastes, cortes, corrosión ni bultos en todas las mangueras de entrada de agua. En caso que aparezcan signos de cualquiera de estas fallas, reemplace todas las mangueras de inmediato. Todas las mangueras se deberán reemplazar cada 5 años de uso, a fin de reducir riesgos de fallas por parte de las mangueras y posibles daños ocasionados por el agua. Al reemplazar las mangueras, consulte las Instrucciones de Instalación a fin de realizar una instalación correcta. NO ajuste en exceso ni desgaste las roscas de los accesorios. NO permita que la manguera roce contra objetos filosos, que se retuerza, o se extienda de forma excesiva. Siempre asegúrese de que las juntas de goma de la manguera estén instaladas y libres de goteos al recibir presión.

Desplazamiento y almacenamiento

Pida al técnico de servicio que elimine el agua de las tuberías y la bomba de desagüe. No guarde el Combo en un lugar donde esté expuesta a las inclemencias climáticas. Al mover el Combo , la cuba debe mantenerse estable utilizando los pernos de transporte que se han extraído durante la instalación. Consulte las Instrucciones de instalación en este manual. Si estas piezas no están disponibles, se pueden solicitar a través del sitio Web GEApplianceparts.com o llamando GE Appliances al **877.959.8688**.

Largas vacaciones

Si espera no utilizar el Combo durante un período prolongado, asegúrese de que el suministro de agua de los grifos esté cerrado. Es recomendable drenar el agua de las mangueras de entrada y drenar el filtro de la bomba, especialmente si las temperaturas están bajo cero.

Instrucciones de instalación

EL COMBO





Si tiene alguna pregunta, llame GE Appliances a 800.GE.CARES (800.432.2737) o visite nuestro sitio Web en: GEAppliances.com

ANTES DE COMENZAR

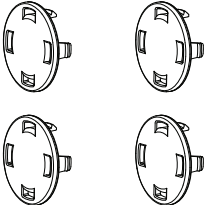
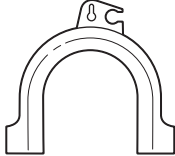

Lea detenidamente todas las instrucciones.

- **IMPORTANTE** — Guarde estas instrucciones para uso del inspector local.
- **IMPORTANTE** — Cumpla todos los códigos y ordenanzas regulatorias.
- **Nota al instalador** — Asegúrese de dejar estas instrucciones al usuario.
- **Nota al usuario** — guarde estas instrucciones para consultas futuras.
- **Nivel de habilidad** — la instalación de este electrodoméstico requiere habilidades mecánicas y eléctricas básicas.
- **Duración** — de 1 a 3 horas
- La instalación adecuada es responsabilidad del instalador.
- La garantía no cubre fallas producidas por la instalación inadecuada del producto.

HERRAMIENTAS NECESARIAS

- Nivel 
- Llave ajustable 
- Alicates ajustables Channel-lock 
- Destornillador Phillips 

PIEZAS INCLUIDAS

- Tapas de los Tornillos de Embalaje (4) 
- Guía de tuberías 
- Abrazadera de cable 

UBICACIÓN DE EL COMBO

NO instale el Combo :



1. En un área expuesta a goteras o a las condiciones del exterior. La temperatura ambiente no debe ser nunca inferior a 60°F (15,6°C) para que el Combo funcione correctamente.
2. En una zona en la que pueda entrar en contacto con cortinas u otras telas.
3. Sobre una alfombra. El suelo **DEBE** ser una superficie dura con una inclinación máxima de 1/2" por pie (1,27 cm por cada 30 cm). Para asegurarse de que el Combo no vibre ni se mueva, es posible que tenga que reforzar el suelo.

NOTA: Si el suelo se encuentra en mal estado, utilice una plancha con 3/4" de contrachapado bien fija al revestimiento existente en el suelo.

INSTALACIÓN EN CASAS RODANTES

La instalación se deberá realizar conforme con la Ley de Estándar para Casas Rodantes (Standard for Mobile Homes), ANSI A119.1 y de Estándares Nacionales de Construcción y Seguridad de Casas Rodantes (National Mobile Home Construction and Safety Standards Act) de 1974 (PL93-383).

PIEZAS NECESARIAS

- suministro de agua (2) 
- Arandelas de Caucho (2) y Pantallas de Filtro (2) 

NOTA: Las arandelas pueden estar incluidas en las mangueras.

GE Appliances Piezas y accesorios

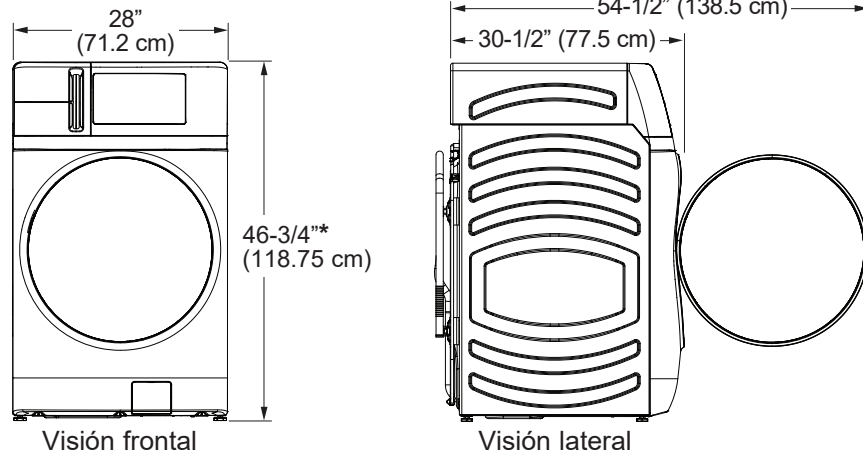
Solicítelos on-line hoy mismo a GEApplianceparts.com, las 24 horas del día o por teléfono al **877.959.8688** en horario normal de trabajo.

Número de Pieza Accesorio

- | | |
|------------|--|
| WX14X10011 | Mangueras de lavadora de 6 pies de acero inoxidable con codos de 90°; 2 unidades |
| WH1X2267 | Pantalla de Filtro (1) |

Instrucciones de instalación

DIMENSIONES DE EL COMBO

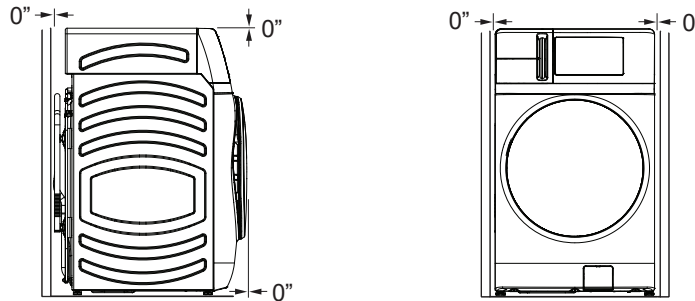


*Con las patas niveladoras retraídas: 46-3/4 (118.75 cm). / Con las patas niveladoras completamente extendidas: 47-1/4 (120 cm).

DISTANCIAS MÍNIMAS DE SEPARACIÓN

Alcoba o Armario

- Rear = 0"*
- Sides = 0"
- Top = 0"
- Front = 0"



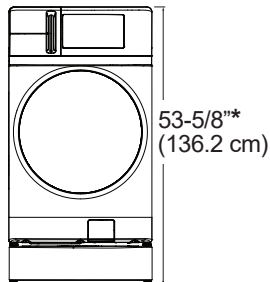
- Se deberá considerar que se debe brindar el despeje adecuado para la instalación y el servicio técnico.
- Las puertas del armario deben contar con rejillas u otro tipo de ventilación y tener por lo menos 60 pulgadas cuadradas (387,1 cm²) de espacio abierto.

*Para que el espacio libre en la parte trasera de el Combo sea de 0", deberá usar mangueras con codos de 90°. De otra forma, podrá necesitar cierto espacio libre adicional a fin de evitar que las mangueras rocen contra la pared trasera.

ACCESORIOS:

Ordene hoy a través de Internet en GEApplianceparts.com, las 24 horas del día o en forma telefónica llamando al **877.959.8688**, durante el horario comercial habitual.

Elevador:



No. de Pieza	Accesorio
GFR0728PTDS	Elevador de pizarra negra
WX14X10011	Mangueras para lavadora de 6 pies de acero inoxidable con codos de 90°; 2 unidades
WH49X316	Kit de extensión de manguera de desagüe para lavadora - Aprox. 44"
WH41X36697	Ensamblaje de manguera Unicouple para lavadora de ropa
GFAPC120V (o equivalente)	Convertidor de enchufe de 4 clavijas de 240 V a 110 V
WX08X10070	Tapón de ventilación para conductos de 4"
PM14X10056	Conjunto de cepillos para electrodomésticos
PM7X2	Bandeja de piso para lavadora de escala reducida universal - Blanco
GFR0728	Elevador de 28 "de ancho sin cajón

NOTA: No se recomienda utilizar el pedestal de 28" de ancho con cajón con el combo.

Siga las **Instrucciones de instalación** incluidas en el Kit para conocer todos los requisitos de despeje e instalación.

*Con las patas niveladoras retraídas. Consulte la sección **DIMENSIONES DE EL COMBO** anterior para conocer las dimensiones de la extensión de las patas.

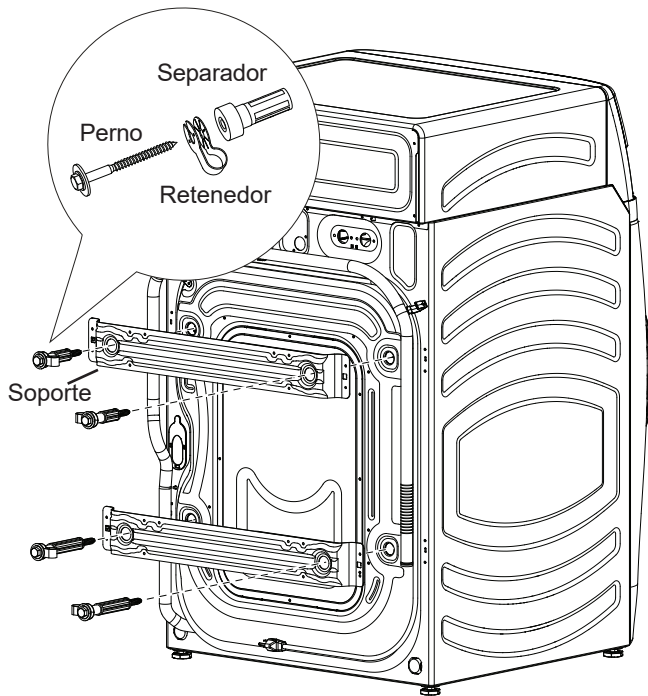
Instrucciones de instalación

DESEMBALAJE DE EL COMBO

⚠ ADVERTENCIA Recicle o deseché la caja de cartón y las bolsas de plástico una vez que haya desembalado la unidad. Mantenga estos materiales fuera del alcance de los niños, pues éstos podrían utilizarlos para jugar. Las cajas de cartón cubiertas con mantas, colchas o láminas de plástico pueden convertirse en cámaras de aire herméticas y producir asfixia.

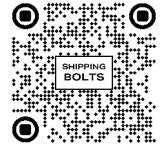
1. Corte y elimine todas las cintas de embalaje.
2. Mientras se encuentre dentro de la caja, coloque con cuidado el Combo sobre el costado de la misma. NO la tumbé por la parte delantera ni trasera.
3. Abra las tapas inferiores y retire todo el embalaje de la base, incluido la base de la cuba de espuma de poliestireno.
4. Vuelva a levantar el Combo con cuidado y retire la caja de cartón.
5. Desplace poco a poco el Combo hasta 4 pies (122 cm) de su ubicación definitiva.
6. Quite las siguientes piezas de la parte trasera de el Combo :
 - 4 pernos
 - 4 separadores de plástico (incluidas las retenedores de cable de alimentación y arandelas de goma)
 - 2 soportes y los tornillos que los sujetan al Combo

NOTA: NO retire el tornillo o pinza que sostiene la manguera.

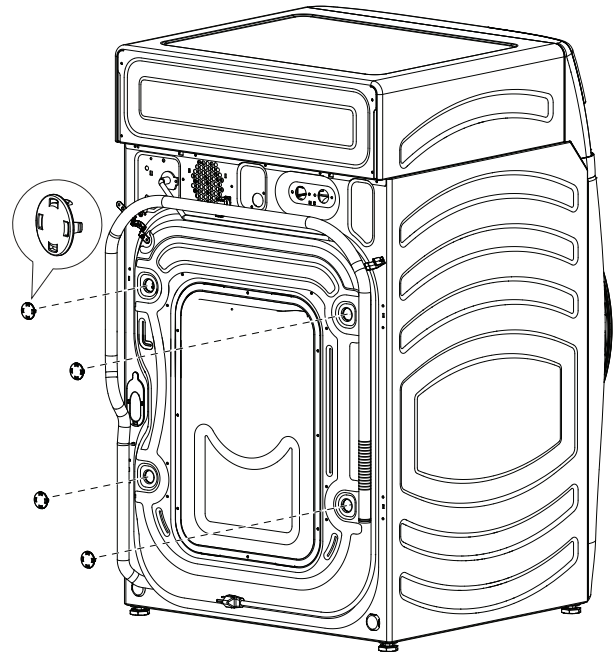


DESEMBALAJE DE EL COMBO (cont.)

Vea este video para obtener más instrucciones paso a paso sobre la importancia de retirar los pernos de envío antes de utilizar el Combo.



7. Introduzca los tapones para orificios de pernos de embalaje en los orificios.



IMPORTANTE:

- No retire todas las piezas de soporte del embalaje podrá hacer que el Combo quede severamente desbalanceada.
- Guarde todas las piezas de soporte del embalaje para un uso futuro. En caso de ser necesario el transporte de el Combo en una fecha posterior, Deberá reinstalar los tornillos y espaciadores de embalaje, a fin de evitar daños durante el traslado. Los soportes no son necesarios y se pueden desechar.

NOTA: Tenga en cuenta las opciones de reciclaje del material de embalaje de su electrodoméstico.

Instrucciones de instalación

REQUISITOS ELÉCTRICOS

⚠️ ADVERTENCIA - Riesgo de Descarga Eléctrica

Enchufe a un tomacorriente de 3 clavijas con conexión a tierra.

NO retire la terminal de tierra.

NO UTILICE un cable de extensión.

NO UTILICE un enchufe adaptador con este artefacto.

Si no se siguen estas instrucciones, se podrá producir la muerte, incendio o descargas eléctricas.

CIRCUITO – individual, correctamente polarizado y conectado a un disyuntor de 15 o 20 amperes o a un fusible con retardo.

SUMINISTRO DE CORRIENTE – 2 cables y conexión a tierra, 120 voltios, fase simple, 60 Hz., corriente alterna.

Receptáculo Externo – receptáculo de 3 clavijas correctamente conectado a tierra, ubicado de modo que el cable de corriente esté accesible cuando el Combo esté en una posición instalada. Si hay un



receptáculo de 2 clavijas, es responsabilidad del propietario solicitar a un electricista matriculado que reemplace el mismo por un receptáculo de 3 clavijas con conexión a tierra, que esté correctamente conectado a tierra.

El Combo deberá estar correctamente conectada a tierra de acuerdo con los códigos y ordenanzas locales, o en ausencia de códigos locales, con la última edición del Código Eléctrico Nacional, ANSI/NFPA NO. 70 o el Código Eléctrico Canadiense, CSA C22.1. En caso de no estar seguro de que el Combo esté correctamente conectada a tierra, consulte a un electricista matriculado.

INSTRUCCIONES DE CONEXIÓN A TIERRA

Este electrodoméstico deberá estar conectado a tierra. En caso de avería o mal funcionamiento, la conexión a tierra reducirá el riesgo de descargas eléctricas al brindar un camino con una resistencia menor para la corriente eléctrica. Este electrodoméstico está equipado con un cable con un conductor para la conexión a tierra del equipo y un enchufe con conexión a tierra. El enchufe deberá estar conectado a un tomacorriente instalado en forma adecuada y con conexión a tierra de acuerdo con todos los códigos y ordenanzas locales.

⚠️ **ADVERTENCIA** Una conexión inapropiada del conductor de conexión a tierra del equipo puede provocar riesgos de descargas eléctricas. Consulte a un electricista calificado o personal o representantes del servicio técnico si tiene dudas de que el electrodoméstico se encuentre conectado a tierra apropiadamente. **NO** modifique el enchufe en el cable de suministro de corriente. Si no coincide con la toma de corriente, contrate a un electricista calificado para que instale una toma de corriente en forma adecuada.

INSTRUCCIONES DE CONEXIÓN A TIERRA (cont.)

Si los códigos locales lo requieren, se podrá agregar un cable a tierra externo de cobre de calibre 18 o más grande (no provisto). Adhiera el gabinete de el Combo con un tornillo de chapa metálica N°10-16 x 1/2" (disponible en cualquier tienda de repuestos) a la parte trasera de el Combo.

⚠️ ADVERTENCIA - Riesgo de Descarga Eléctrica

Desconecte el suministro de corriente antes de realizar el servicio técnico.

Reemplace todas las piezas y paneles antes de utilizar.

Si no cumple con esto, se podrá producir la muerte o descarga eléctrica.

⚠️ ADVERTENCIA - Riesgo de Descarga Eléctrica

Ciertas piezas internas no tienen conexión a tierra en forma intencional y pueden presentar un riesgo de descarga eléctrica sólo durante la reparación.

Personal de reparación – NO toque las siguientes piezas cuando el aparato esté recibiendo energía: válvula aqua, bomba de desagüe, NTC, tablero inversor, motor y tablero MC.

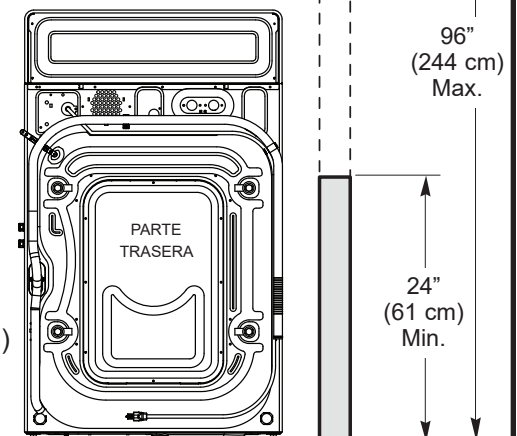
REQUISITOS DE SUMINISTRO DE AGUA

Las llaves de paso DEBEN ser de 3/4" (1.9 cm) y tipo jardín para que se puedan conectar las tuberías de entrada. La presión del agua DEBE estar entre 10 y 120 libras por pulgada cuadrada. La compañía de agua puede informarle de la presión del agua. La temperatura del agua caliente se debe establecer para suministrar agua a una temperatura de entre 120° y 140°F (48°– 60°C) para brindar un desempeño adecuado del control automático de temperatura (ATC).

REQUISITOS DE DESAGÜE

1. Desagüe capaz de eliminar 10 gallons (38 l) por minuto.
2. Diámetro mínimo de tubería vertical de 1 1/4" (3,18 cm).
3. La altura de la tubería vertical desde el suelo debe ser:

Altura mínima: 24" (61 cm)
Altura máxima: 96" (244 cm)



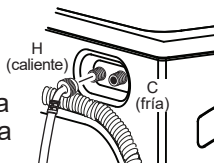
Instrucciones de instalación

INSTALACIÓN DEL COMBO

1. Deje correr un poco de agua de los grifos de agua caliente y fría para purgar las tuberías de agua y eliminar las partículas que puedan obstruir la tubería de entrada y los filtros de la válvula de agua.

2. Saque las tuberías de entrada de la embalaje.

3. Extremo acodado de 90°) Verifique que haya una arandela de goma en el extremo acodado de 90° de las tuberías. Vuelva a instalar la arandela de goma en el accesorio de la tubería si se ha caído durante el envío.



Conecte con cuidado una manguera de entrada a la salida "H" interior de la válvula de agua. Apriete con la mano y, a continuación, apriete 2/3 de vuelta con los alicates. Conecte con cuidado la otra manguera de entrada a la salida "C" exterior de la válvula de agua. Apriete con la mano y, a continuación, apriete 2/3 de vuelta con los alicates. **No pase las roscas ni apriete excesivamente estas conexiones.**

4. Si los filtros de pantalla de la manguera de entrada no se encuentran insertados en las mangueras de entrada, instale los mismos insertando estos en los extremos libres de las mangueras de entrada HOT (Caliente) y COLD (Fría) con los extremos protuberantes enfrentados hacia el grifo.



5. Conecte los extremos de la tubería de entrada a las tomas de agua CALIENTE y FRÍA ajustándolos con la mano y, a continuación, apriete de nuevo 2/3 de vuelta con los alicates. Abra la llave de paso y compruebe que no hay ninguna fuga.

6. Desplace el Combo con cuidado hasta su ubicación final. Mueva suavemente el Combo para situarla en su lugar. Es importante no dañar las patas niveladoras de caucho al trasladar su lavadora a su ubicación final. Si las patas se dañan podría aumentar la vibración de el Combo. Podría ser útil rociar el piso con limpiador para ventanas a fin de trasladar más fácilmente su lavadora a su ubicación final.

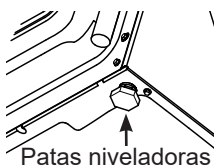
NOTA: Para reducir la vibración, asegúrese de que cada una de las cuatro patas niveladoras estén en contacto con el piso. Empuje y tire de la parte posterior derecha y luego de la parte posterior izquierda de su lavadora.

NOTA: No utilice los cajones dispensadores o la puerta para levantar el Combo.

NOTA: Si se instala en un depósito de desagüe, puede utilizar una tabla 2x4 de 24 pulgadas de longitud para colocar el Combo en su lugar haciendo palanca.

7. Una vez situada el Combo en su posición final, coloque un nivel en la parte superior de la misma (si está instalada debajo de un contador, el Combo no debería vibrar).

Ajuste las patas niveladoras delanteras hacia arriba o hacia abajo para asegurarse que el Combo se apoya en una superficie sólida. Gire las contratueras de cada pata hacia la base de el Combo y apriételas con una llave.

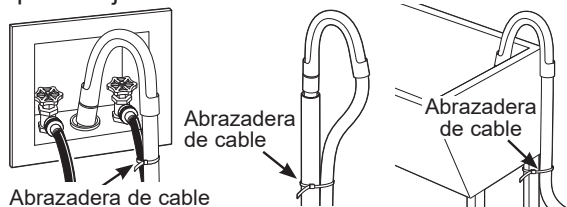


INSTALACIÓN DEL COMBO

NOTA: Mantenga la extensión de los soportes al mínimo para evitar una vibración excesiva. Cuanto más se extiendan las patas, más vibrará el Combo.

Si el suelo no está nivelado o está dañado, puede que sea necesario extender las patas niveladoras traseras.

8. Coloque la guía de la tubería en forma de U en el extremo de la tubería de desagüe. Coloque la tubería en una pila de lavar o tubería vertical y sujétela con la abrazadera de cable que se proporciona en el paquete adjunto.



NOTA: Colocar la manguera de drenaje muy debajo de la tubería de drenaje puede provocar un efecto de sifón. No debe haber más de 7" de manguera en la tubería de drenaje. Debe haber un espacio de aire alrededor de la manguera de drenaje. Si la manguera está muy ajustada, también puede provocarse un efecto de sifón.

9. Enchufe el cable de alimentación en una salida de conexión a tierra.

NOTA: Asegúrese de que la alimentación está cortada en un interruptor/caja de fusibles antes de enchufar el cable de alimentación a una toma de corriente.

10. Conecte la alimentación a un interruptor/caja de fusibles.

11. Lea el resto del Manual del propietario. Contiene información valiosa y útil que supondrá un ahorro de tiempo y dinero.

12. Antes de poner en funcionamiento el Combo, asegúrese de comprobar lo siguiente:

- La alimentación está conectada.
- El Combo está enchufada.
- Las llaves de paso están abiertas.
- El Combo está nivelada y que cada una de las cuatro patas niveladoras estén en contacto con el piso.
- Las piezas de sujeción para el transporte se han quitado y guardado.
- La tubería de desagüe se ha asegurado correctamente.
- No existe ninguna fuga en la llave de paso, la tubería de desagüe ni el Combo.

13. Ponga en funcionamiento el Combo en un ciclo completo. Compruebe que no haya fugas de agua y que funcione correctamente.

14. Si el Combo no funciona, revise la sección Antes de llamar al servicio de asistencia técnica antes de ponerse en contacto con el servicio de asistencia técnica.

15. Coloque las instrucciones en un lugar próximo a el Combo para futuras consultas.

PIEZAS DE REPUESTO

Si se necesitan piezas de repuesto para el Combo, se pueden solicitar en Estados Unidos a través del sitio Web GEApplianceparts.com o llamando GE Appliances a 877.959.8688.

Consejos para la solución de problemas

Se recomienda enfáticamente conectar el Combo al WiFi a fin de descargar el software más reciente, recibir actualizaciones de forma periódica y acceder a los beneficios de muchas de las funciones extendidas que están disponibles a través de la Aplicación SmarHq. Muchas de las funciones de Inteligencia Artificial de su lavadora requieren conexión a la Aplicación SmarHq. Esto podrá resolver algunos problemas que figuran a continuación.

Problema	Causas posibles	Solución
No hay drenaje No hay rotación No hay giro	La carga está desequilibrada	Redistribuya las prendas y accione el Rinse & Spin (Enjuague & Centrifugado) o Rinse & Dry (Enjuague & Secar). Aumente el tamaño de la carga si lava una carga pequeña que contiene elementos pesados y livianos.
	El filtro de la bomba podría estar obstruido	Ver la Cuidado y limpieza sobre cómo limpiar el Filtro de la bomba .
	La manguera de drenaje está torcida o mal conectada	Enderece la manguera de drenaje y verifique que el Combo no la esté aplastando.
	El drenaje de la vivienda puede estar obstruido	Controle la cañería de la vivienda. Quizás deba llamar a un plomero
	La manguera de drenaje hace efecto sifón; la manguera de drenaje se ha empujado muy profundamente dentro del drenaje	Verifique que haya un espacio de aire entre la manguera y el drenaje. Además, asegúrese de que la manguera de drenaje no esté insertada más de 7" en el tubo de drenaje.
Fugas de agua	La junta de la puerta está desbalanceada	Revise que la junta esté colocada en su sitio y que no se haya roto. Los objetos (clavos, tornillos, bolígrafos, lápices) que queden en los bolsillos y la ropa, atrapados entre el cristal de la puerta y la junta pueden dañar el Combo. El agua podría gotear de la puerta cuando la misma está abierta. Esto forma parte del funcionamiento normal. Limpie con cuidado el sello de goma de la puerta y el vidrio de la puerta. A veces quedan suciedades o prendas en este sellado y pueden provocarse pequeñas pérdidas.
	Revise la parte posterior izquierda de el Combo para verificar si hay presencia de agua	Si esta área se encuentra mojada, existe una condición haya roto. Los objetos dejados en los bolsillos podrían detergente.
	Las tuberías de toma de agua la tubería de desagüe no se han conectado correctamente	Asegúrese de que se han apretado correctamente las conexiones de las tuberías de el Combo y las llaves de paso y que el extremo de la tubería de desagüe se ha introducido y fijado correctamente al desagüe.
	Puede que la tubería de desagüe de la vivienda esté obstruida	Compruebe las tuberías de la vivienda. Puede que sea necesario llamar a un plomero.
	Depósito tapado	El jabón en polvo puede provocar atascos dentro del depósito y hacer que salga agua desde el frente del depósito. Quite el cajón y límpielo, al igual que la parte interna de la caja del depósito. Los paquetes de detergente de ropa sucia no deberían ser usados en el dispensador. Sólo se deberían agregar directamente a la canasta de el Combo, siguiendo las instrucciones del fabricante. Consulte la sección de Cuidado y limpieza .
	Uso incorrecto del detergente	Use sólo detergente HE en la cantidad correcta.
	Rotura en la caja del depósito	Si la instalación es nueva, controle que no haya roturas en la parte interna de la caja del depósito.
Las prendas están muy mojadas	La carga está desequilibrada	Redistribuya las prendas y accione el Rinse & Dry (Enjuague & Secar).
		Aumente el tamaño de la carga si lava una carga pequeña que contiene elementos pesados y livianos.
		La máquina reducirá la velocidad del centrifugado a 410 rpm si le cuesta equilibrar la carga. Esta velocidad es normal.
	El filtro de la bomba podría estar obstruido	Ver la Cuidado y limpieza sobre cómo limpiar el Filtro de la bomba .
	Carga excesiva	El peso seco de la carga debe ser menor a 20 lb.
	La manguera de drenaje está torcida o mal conectada	Enderece la manguera de drenaje y verifique que el Combo no la esté aplastando.
	El drenaje de la vivienda puede estar obstruido	Controle la cañería de la vivienda. Quizás deba llamar a un plomero.
La manguera de drenaje hace efecto sifón; la manguera de drenaje se ha empujado muy profundamente dentro del drenaje	Verifique que haya un espacio de aire entre la manguera y el drenaje. Además, asegúrese de que la manguera de drenaje no esté insertada más de 7" en el tubo de drenaje.	

Consejos para la solución de problemas

Problema	Causas posibles	Solución
Ciclo incompleto o el emporizador no avanza	Redistribución de carga automática	El temporizador puede sumar hasta 3 minutos de ciclo para cada rebalanceo. Pueden efectuarse 11 o 15 reequilibrios. Esto es una operación normal. No haga nada; la máquina finalizará el ciclo.
	El filtro de la bomba podría estar obstruido	Ver la Cuidado y limpieza sobre cómo limpiar el Filtro de la bomba .
	La manguera de drenaje está torcida o mal conectada	Enderece la manguera de drenaje y verifique que el Combo no la esté aplastando.
	El drenaje de la vivienda puede estar obstruido	Controle la cañería de la vivienda. Quizás deba llamar a un plomero.
	La manguera de drenaje hace efecto sifón; la manguera de drenaje se ha empujado muy profundamente dentro del drenaje	Verifique que haya un espacio de aire entre la manguera y el drenaje. Además, asegúrese de que la manguera de drenaje no esté insertada más de 7" en el tubo de drenaje.
Ruido fuerte o inusual; vibración o movimiento	Se mueve el gabinete	El Combo está diseñada para moverse 1/4" para reducir las fuerzas transmitidas al piso. Este movimiento es normal.
	Las patas de nivelación de goma no tocan el piso firmemente	Presione y tire en la parte trasera derecha y luego en la parte delantera izquierda de su Combo para verificar que esté nivelada. Si el Combo está desnivelado o se balancea excesivamente durante el funcionamiento, ajuste las patas niveladoras de goma para que toquen firmemente el piso y las contratueras estén apretadas a la base del Combo.
	Carga desequilibrada	Pausar el Combo, abra la puerta y redistribuya la carga manualmente. Para controlar la máquina, accione el enjuague y centrifugado sin carga. Si es normal, el desequilibrio fue provocado por la carga.
	El filtro de la bomba podría estar obstruido	Ver la Cuidado y limpieza sobre cómo limpiar el Filtro de la bomba .
No hay suministro eléctrico/el Combo no está en funcionamiento	El Combo está desconectada	Asegúrese de que el cable esté enchufado de manera segura en un enchufe funcional.
	El suministro de agua está cerrado	Abra por completo las llaves de paso de agua fría y caliente.
	El interruptor/fusible se ha quemado/saltado	Compruebe los interruptores/fusibles de la vivienda. Cambie los fusibles o restablezca el interruptor el Combo debe tener una toma individual.
	Revisiones automáticas del sistema	La primera vez que se enchufa el Combo, se efectúan las verificaciones automáticas. Podrían pasar hasta 20 segundos antes de que pueda utilizar su lavadora. Esto forma parte del funcionamiento normal.
"Confirm H2O Supply is ON" (Confirme que el suministro de H2O esté abierto) aparece en la pantalla	No ingresa agua a el Combo	Para más detalles, consulte la sección del Indicador de Ayuda al Consumidor .
"Cycle Canceled Draining" (Drenaje de ciclo cancelado) aparece en la pantalla.	El Combo quedó en pausa o se detuvo	Para más detalles, consulte la sección del Indicador de Ayuda al Consumidor .
"DOOR OPEN" (puerta abierta) aparece en la pantalla	La puerta no está completamente cerrada	Para más detalles, consulte la sección del Indicador de Ayuda al Consumidor .
"Check and Clean Drain Pump Filter" (Comprobación y limpieza del filtro de la bomba de drenaje) aparece en la pantalla	Restricción en el área de drenaje	Para más detalles, consulte la sección del Indicador de Ayuda al Consumidor .
Enganchones, agujeros, Ver rotos, rasgaduras o deterioro excesivo	Sobrecargado	No supere los tamaños máximos recomendados de carga. Ver la sección de Carga para los tamaños máximos recomendados de carga.
	Lápices, bolígrafos, clavos, tornillos u otros objetos dejados en los bolsillos	Retire todos los elementos sueltos de los bolsillos.
	Alfileres, broches, corchetes, botones en punta, hebillas de cinturones, cremalleras y objetos puntiagudos olvidados en los bolsillos	Abroche los corchetes, broches, botones y cremalleras.

Consejos para la solución de problemas

Problema	Causas posibles	Solución
Error o cambios en el control de tiempo	Esto es normal	Durante el giro, es posible que en ocasiones se necesite volver a equilibrar la carga de el Combo a fin de reducir vibraciones. Cuando esto sucede, se produce como consecuencia una prolongación en el tiempo estimado de lavado. Además, en Sensor Dry (Secado por sensor), el tiempo puede ampliarse para permitir que la carga se seque por completo.
Cantidad de agua insuficiente	Esto es normal	Las lavadoras horizontales no requieren que el tubo se llene de agua, como sí ocurre con las lavadoras con carga superior.
El Combo se detiene o se debe reiniciar o la puerta de el Combo lavadora está bloqueada y no se abre	El filtro de la bomba podría estar obstruido	Ver la Cuidado y limpieza sobre cómo limpiar el Filtro de la bomba .
La puerta no se destraba o presiona Start (inicio) y la máquina no funciona	Esto es normal	Las lavadoras con tapa frontal comienzan su funcionamiento de manera diferente que las lavadoras con carga superior, y toma varios segundos realizar un control del sistema. La puerta se bloqueará y desbloqueará. El Combo también activará un sensor de carga al inicio antes de llenar con agua y comenzar la parte de lavado del ciclo.
	Funcionamiento incorrecto	Simplemente abra y cierre la puerta firmemente y luego presione Start (Iniciar).
	Bloqueo de control activado	Mantenga pulsado el botón Control Lock (Bloquear de control) durante 3 segundos.
El agua no ingresa a el Combo o ingresa muy lentamente	Auto-controles automáticos del sistema	Después de presionar Start (Iniciar), el Combo realiza varios controles del sistema. El agua comenzará a correr varios segundos después de presionar Start (Iniciar).
	Los filtros de válvula de agua quedaron trabados	Cierre el suministro de agua y quite las mangueras de conexión de agua de la parte superior trasera de el Combo. Utilice un cepillo o escarbadientes para limpiar los filtros de la máquina. Vuelva a conectar las mangueras y abra el suministro de agua.
	Arandelas del filtro de entrada de agua están obstruidos	Cierre la llave de paso y quite las tuberías de conexión de agua de la parte trasera superior de el Combo. Utilice un cepillo o un palillo de dientes para limpiar los filtros de la unidad. Vuelva a conectar las tuberías y abra la llave de paso.
	El filtro de la bomba podría estar obstruido	Ver la Cuidado y limpieza sobre cómo limpiar el Filtro de la bomba .
	Las mangueras de llenado puede estar torcida	Verifique que las mangueras de llenado no se encuentren torcidas o tapadas.
	El suministro de agua está cerrado	Abra por completo los grifos de agua caliente y fría.
	Suministro de agua insuficiente	Asegúrese de que el suministro de agua esté accionado. Verifique que los grifos de agua estén abiertos por completo.
	La puerta de el Combo está abierta	La puerta de el Combo debe estar cerrada durante todas las operaciones de ciclo. Si se abre la puerta durante una operación de lavado, todas las funciones se detendrán, incluyendo el ingreso de agua.
Conexión incorrecta de la manguera de llenado	Asegúrese de que las mangueras de llenado conecten el suministro de agua caliente a la entrada de agua caliente de el Combo y el suministro de agua fría a la entrada de agua fría (CALIENTE a CALIENTE y FRÍA a FRÍA).	

Consejos para la solución de problemas

Problema	Causas posibles	Solución
Formación de arrugas	Clasificación inadecuada	No mezcle elementos pesados (como prendas de trabajo) con prendas livianas (como blusas).
	Carga excesiva	Cargue el Combo de manera que haya suficiente espacio para que las prendas se muevan libremente.
	Ciclo incorrecto	Coincida la selección del ciclo con el tipo de tela que está lavando (especialmente para cargas de cuidado fácil).
	Lavados repetidos en agua demasiado caliente	Lave con agua tibia o fría.
Prendas grises o amarillentas	No se colocó suficiente detergente	Use la cantidad correcta de detergente.
	No se usó detergente HE (alta eficiencia)	Use sólo detergente HE.
	Agua dura	Utilice agua caliente segura para las telas.
		Utilice un acondicionador de agua como Calgon o instale un suavizante de agua.
	El agua no está lo suficientemente caliente	Verifique que el calentador de agua esté suministrando agua a 120°–140°F (48°–60°C).
	El detergente no se disuelve o usa demasiado suavizante de tela	Pruebe con un detergente HE líquido. Use menos suavizante de tela.
Transferencia de colores	Divida las prendas por color. Si la etiqueta de la tela dice "lavar por separado", puede indicarse colores inestables.	
Manchas de color	Uso incorrecto del suavizante de telas	Consulte el paquete del suavizante de telas sobre las instrucciones y siga las indicaciones de uso del depósito.
	Dye transfer	<p>Separe los blancos o los colores claros de los colores oscuros.</p> <p>Quite rápidamente la carga de el Combo .</p>
La temperatura del agua es incorrecta	El suministro de agua está mal conectado	Verifique que las mangueras estén conectadas a los grifos correctos (CALIENTE a CALIENTE y FRÍA a FRÍA).
	El calentador de agua de la vivienda no está bien configurado	Verifique que el calentador de agua de la vivienda esté suministrando agua a 120°–140°F (48°–60°C).
Mal olor dentro de el Combo	El Combo no se usó durante un período prolongado, no se utiliza detergentes HE (alta eficiencia) o se está usando demasiado detergente	Utilice regularmente una opción de ciclo Dry (Secado).
		En caso de un fuerte olor, puede necesitarse el funcionamiento del ciclo Self Clean (Limpieza de tambor) más de una vez.
		Use sólo la cantidad de detergente recomendada o ajuste SmartDispense (Dispensado Inteligente) en LOW (Bajo).
		Use sólo detergente HE (alta eficiencia).
		Retire siempre los artículos húmedos de el Combo inmediatamente después de que la máquina deje de funcionar.
	Si elige no utilizar opción de ciclo Dry (Secado), deje la puerta entornada de modo que el Combo se seque con el aire. Se requiere una supervisión estricta cuando este aparato es utilizado por niños o en su cercanía. NO permita que los niños jueguen sobre o dentro de este electrodoméstico.	
Hay residuos de pelusa, etc. en el filtro de la bomba de drenaje, los cuales se deberán limpiar	Ver la Cuidado y limpieza sobre cómo limpiar el Filtro de la bomba .	
La manguera de drenaje se ha empujado muy profundamente dentro del drenaje	Consulte la sección Instrucciones de instalación para obtener información sobre la instalación adecuada.	
El detergente comienza a dispensarse lentamente	Esto es normal	Es normal ver una pérdida de detergente sobre la junta de la puerta alrededor de 20 segundos después de llenar el depósito. Asegúrese de que el cajón dispensador esté completamente cerrado.
Dosificación inadecuada de suavizante o blanqueador	Depósito tapado	Limpie mensualmente el cajón dispensador para eliminar la acumulación de productos químicos.
	Se colocó suavizante o blanqueador por encima de la línea máxima de llenado.	Asegúrese de contar con la cantidad correcta de suavizante.

Consejos para la solución de problemas

Problema	Causas posibles	Solución
El cajón dispensador no dispensa de forma adecuada	El paquete de detergente para ropa sucia se colocó en el cajón dispensador	Los paquetes de detergente de ropa sucia no deberían ser usados en el dispensador. Sólo se deberían agregar directamente a la canasta de el Combo , siguiendo las instrucciones del fabricante.
La bomba funciona mientras el Combo no se encuentra en uso	Atascada en el drenaje del sumidero	El drenaje del sumidero está detectando un nivel de llenado de agua no deseado desde un grifo posiblemente abierto. Cierre la válvula de agua e inspeccione que no haya bloqueos en la misma. Asegúrese de contar con las actualizaciones más recientes para su lavadora, disponibles a través de la Aplicación SmartHQ.
La ropa tarda demasiado en secarse	Clasificación incorrecta	Separe los artículos pesados de los ligeros (por lo general, una carga de lavado bien clasificada es una carga de secado bien clasificada).
	Grandes cargas de telas pesadas (como toallas de playa)	Los tejidos grandes y pesados contienen más humedad y tardan más en secarse. Separe los tejidos grandes y pesados en cargas más pequeñas para acelerar el tiempo de secado.
	El filtro de pelusas está lleno	Limpie el filtro de pelusa después de cada 5 ciclos de secado.
	Eco Dry (Secado ecológico) está apagado o More Dry (Más seco) está encendido	Al desactivar Eco Dry (Secado ecológico) y añadir More Dry (Más seco), el Combo secará la ropa a un nivel de secado más alto del que puede ser necesario. Considere el funcionamiento sin More Dry (Más seco). Si desea un tiempo aún más corto, puede activar Eco Dry (Secado ecológico) en el menú. Es posible que necesite encontrar las mejores condiciones para un nivel de secado aceptable.
El tiempo restante cambia o tiempos de secado inconsistentes	El tiempo estimado puede cambiar cuando los sensores detectan que no se ha alcanzado el secado óptimo	El tiempo restante del secado se ajusta en función de las comprobaciones de humedad realizadas por el Combo inteligente durante la parte de secado del ciclo. Es posible que note estos ajustes al inicio del secado, durante el secado o durante los últimos minutos de secado.
	Tipo de carga y condiciones de secado	El tamaño de la carga, los tipos de tejido, la humedad de la ropa y la longitud y el estado del sistema de escape afectarán a los tiempos de secado
La ropa sigue húmeda aunque el Combo haya completado el ciclo	El Combo se detuvo a la mitad de ciclo y nunca se reinició	Es posible que la puerta se haya abierto a la mitad de ciclo y que el ciclo no se haya reiniciado. Se debe volver a seleccionar un ciclo de secado para completar el proceso de secado.
	La carga ya estaba seca, excepto los cuellos y las cinturas de la ropa	Empiece con TIMED DRY (Secado temporizado) para secar los cuellos y las cinturas húmedas de la ropa. En el futuro, al secar una carga con cuellos y cinturas, elija More Dry (Más seco).
	Esto es normal	Debido a que su Combo seca la ropa a una temperatura constante en un tambor sellado, es posible que no se sienta tan seca o caliente al primer toque. Simplemente sáquelos y sacúdelos y se sentirán secos en unos segundos.
La ropa está arrugada	Dejar que los artículos se asienten en el Combo después de que finalice el ciclo	Retire los artículos cuando finalice el ciclo y pliegue o cuelgue inmediatamente, o utilice la opción Wrinkle Care (Cuidado de arrugas).
	Sobrecarga	Separe las cargas grandes en otras más pequeñas. Cargue menos prendas; aumente el tiempo manualmente.
El tambor de el Combo sigue girando después de que la pantalla muestra Complete (Completado)	Se ha seleccionado Wrinkle Care (Cuidado de arrugas)	Asegúrese de que la opción Wrinkle Care (Cuidado de arrugas) no esté seleccionada.
El agua gotea de la puerta cuando se abre	Parte del agua residual del dispensador gotea hacia la junta	El agua del dispensador puede gotear hacia la junta cuando se abre la puerta por primera vez. Esto es normal. Espere unos segundos antes de sacar la ropa.
El Combo genera calor	Esto es normal	El sistema sellado situado en la parte superior de la unidad genera algo de calor. Este es un funcionamiento normal.
Hay artículos pequeños atrapados en la puerta que no se secan	Los artículos se quedan pegados durante el centrifugado a alta velocidad o se empujan entre la junta y el vidrio	Utilice una bolsa de malla de nailon para artículos pequeños que puedan quedar atrapados entre el vidrio de la puerta y la junta y que no se sequen completamente.

Garantía limitada de GE Appliances

GEAppliances.com

Todo el servicio de garantía es provisto por nuestros Centros de Servicio de Fabricación, o un técnico autorizado de Servicio al Cliente (Customer Care®). Para programar una visita del servicio técnico, visítenos a través de Internet en **GEAppliances.com/service**, o llame GE Appliances al 800.GE.CARES (800.432.2737). Cuando llame para solicitar el servicio, tenga los números de serie y modelo disponibles.

Para realizar el servicio técnico de su electrodoméstico se podrá requerir el uso de datos del puerto de abordaje para su diagnóstico. Esto da al técnico del Servicio de Fábrica de GE Appliances la habilidad de diagnosticar de forma rápida cualquier problema con su electrodoméstico, y de ayudar a GE Appliances a mejorar sus productos al brindarle a GE Appliances la información sobre su electrodoméstico. Si no desea que los datos de su electrodoméstico sean enviados a GE Appliances, solicitamos que le indique a su técnico NO entregar los datos a GE Appliances en el momento del servicio.

Por el Período de:	Se sustituirá:
Un Año Desde la fecha de compra original	Cualquier pieza de la unidad que falle debido a un defecto de los materiales o la mano de obra. Durante esta garantía limitada de un año , también ofrecemos, en forma gratuita , toda la mano de obra y los costos de servicio para reemplazar la pieza defectuosa.
Cinco años Desde la fecha de compra original	El sistema de secado sellado de la bomba de calor (compresor, condensador, evaporador y todos los tubos de conexión) que falla debido a un defecto en los materiales o la mano de obra. Durante estos cuatro años adicionales de garantía limitada , usted será responsable por cualquier trabajo y los costos relacionados con el servicio técnico.
Diez años Desde la fecha de compra original	El motor , si falla debido a un defecto de fabricación o de mano de obra. Durante estos nueve años adicionales de garantía limitada , usted será responsable por cualquier trabajo y los costos relacionados con el servicio técnico.

Qué No Cubrirá GE Appliances:

- Viajes del personal de servicio a su casa para enseñarle cómo usar su producto.
- Instalación, entrega o mantenimiento inapropiada.
- Fallas del producto si es maltratado, mal usado, o usado para un propósito diferente del que se creó o si es usado para usos comerciales.
- Cambio de los fusibles de su casa o reajuste del circuito de interruptores.
- Productos sin defectos o rotos, o los cuales se encuentran funcionando como se indica en el Manual del propietario.
- Daños al producto causados por accidentes, incendios, inundaciones o actos de la naturaleza.
- Daños imprevistos resultantes causados por posibles defectos con este electrodoméstico.
- Defectos o daños debido a la puesta en funcionamiento a temperaturas de congelación.
- Daños causados después del envío.
- Producto no accesible para facilitar el servicio requerido.

EXCLUSIÓN DE GARANTÍAS IMPLÍCITAS

Su única y exclusiva alternativa es la reparación del producto, como se indica en la Garantía Limitada. Las garantías implícitas, incluyendo garantías implícitas de comerciabilidad o conveniencia sobre un propósito particular, se limitan a un año o al período más corto permitido por la ley.

Esta garantía limitada se extiende al comprador original y a cualquier propietario subsecuente para productos comprados para uso doméstico dentro Estados Unidos. Si el producto está situado en un área que no dispone de servicio por parte de un proveedor de servicio autorizado de GE Appliances, podría tener que hacerse cargo de los costes de envío o bien podría solicitársele que lleve el producto a un centro de servicio de GE Appliances autorizado para realizar la reparación. En Alaska, la garantía limitada excluye el costo de envío o las visitas de servicio a su casa.

Algunos estados no permiten la exclusión o limitación de daños imprevistos. Esta garantía limitada le da sus derechos legales específicos, y es posible que usted tenga otros derechos legales que varían de estado a estado. Para informarse de cuáles son sus derechos legales, consulte a su oficina de asuntos del consumidor local o estatal o póngase en contacto con la Oficina de su Procurador General.

Garante: GE Appliances, a Haier company, Louisville, KY 40225

Garantías Extendidas: Adquiera una garantía extendida de GE Appliances y conozca los descuentos especiales que están disponibles mientras su garantía aún está vigente. Puede acceder a la misma a través de Internet en cualquier momento en **geappliances.com/extended-warranty**

o llamando al 800.626.2224 durante el horario comercial. Los Servicios para los GE Appliances aún estarán disponibles cuando su garantía caduque.

GARANTÍA LIMITADA

Abroche su recibo aquí. Para acceder al servicio técnico de acuerdo con la garantía deberá contar con la prueba de la fecha original de compra.

Soporte para el Consumidor

Sitio Web de GE Appliances

¿Desea realizar una consulta o necesita ayuda con su electrodoméstico? ¡Intente a través del Sitio Web de GE Appliances las 24 horas del día, cualquier día del año! Usted también puede comprar más electrodomésticos maravillosos de GE Appliances y aprovechar todos nuestros servicios de soporte a través de Internet, diseñados para su conveniencia. **GEAppliances.com**

Registre su Electrodoméstico

¡Registre su electrodoméstico nuevo a través de Internet, según su conveniencia! Un registro puntual de su producto permitirá una mejor comunicación y un servicio más puntual de acuerdo con los términos de su garantía, en caso de surgir la necesidad. También puede enviar una carta en la tarjeta de inscripción preimpresa que se incluye con el material embalado. **GEAppliances.com/register**

Servicio Programado

El servicio de reparación de expertos de GE Appliances está a sólo un paso de su puerta. Conéctese a través de Internet y programe su servicio a su conveniencia cualquier día del año.

GEAppliances.com/service

o comuníquese al 800.432.2737 durante el horario de atención comercial.

Garantías Extendidas

Adquiera una garantía extendida de GE Appliances y conozca los descuentos especiales que están disponibles mientras su garantía aún está vigente. La puede adquirir en cualquier momento a través de Internet. Los servicios de GE Appliances aún estarán allí cuando su garantía caduque.

GEAppliances.com/extended-warranty

o comuníquese al 800.626.2224 durante el horario de atención comercial.

Conectividad Remota

Para solicitar asistencia para la conectividad de red inalámbrica (para modelos con acceso remoto), visite nuestro sitio web en **GEAppliances.com/connect** o comuníquese al 800.220.6899.

Piezas y Accesorios

Aquellos individuos calificados para realizar el servicio técnico de sus propios electrodomésticos podrán solicitar el envío de piezas o accesorios directamente a sus hogares (se aceptan las tarjetas VISA, MasterCard y Discover). Ordene hoy a través de Internet durante las 24 horas, todos los días. **GEApplianceparts.com** o de forma telefónica al 877.959.8688 durante el horario de atención comercial.

Las instrucciones que figuran en este manual cubren los procedimientos que serán realizados por cualquier usuario. Otros servicios técnicos generalmente deben ser derivados a personal calificado del servicio. Se deberá tener cuidado, ya que una reparación indebida podrá hacer que el funcionamiento no sea seguro.

Contáctenos

Si no se encuentra satisfecho con el servicio que recibió de GE Appliances, comuníquese con nosotros a través de nuestro sitio Web con todos los detalles, incluyendo su número telefónico, o escriba a:

General Manager, Customer Relations | GE Appliances, Appliance Park | Louisville, KY 40225

GEAppliances.com/contact o comuníquese al 800.626.2000