



Profile Dryers

Safety Instructions 2-5

Operating Instructions

Controls6
Cycle Options8
Dryer Features15
Help13, 14
Loading and Using
the Dryer16, 17
"My Cycles"11, 12
Quick Start Guide7
Summary Screen9, 10
Troubleshooter13

Installation Instructions

Before You Begin18-20
Connecting a Gas Dryer21-24
Connecting an
Electric Dryer25-27
Exhausting the Dryer28-32
Final Setup33, 34
Reversing the Door Swing35, 36
Switching the Washer and
Dryer Backsplashes37-40

Troubleshooting Tips 41

Consumer Support

Consumer Support 44
Warranty 43

**Owner's Manual
and Installation
Instructions**

DPGT750

**Write the model and serial
numbers here:**

Model # _____

Serial # _____

They are on the label on the front
of the dryer behind the door.

IMPORTANT SAFETY INSTRUCTIONS

READ ALL INSTRUCTIONS BEFORE USING.

⚠ WARNING! *For your safety, the information in this manual must be followed to minimize the risk of fire or explosion, electric shock, or to prevent property damage, personal injury, or loss of life.*

- Do not store or use gasoline or other flammable vapors and liquids in the vicinity of this or any other appliance.
- Installation and service must be performed by a qualified installer, service agency or the gas supplier.

WHAT TO DO IF YOU SMELL GAS:

- 1** Do not try to light a match, or cigarette, or turn on any gas or electrical appliance.
- 2** Do not touch any electrical switch; do not use any phone in your building.
- 3** Clear the room, building, or area of all occupants.
- 4** Immediately call your gas supplier from a neighbor's phone. Follow the gas supplier's instructions carefully.
- 5** If you cannot reach your gas supplier, call the fire department.

California Safe Drinking Water and Toxic Enforcement Act

This act requires the governor of California to publish a list of substances known to the state to cause cancer, birth defects or other reproductive harm and requires businesses to warn customers of potential exposure to such substances.

Gas appliances can cause minor exposure to four of these substances, namely benzene, carbon monoxide, formaldehyde and soot, caused primarily by the incomplete combustion of natural gas or LP fuels.

Properly adjusted dryers will minimize incomplete combustion. Exposure to these substances can be minimized further by properly venting the dryer to the outdoors.

IMPORTANT SAFETY INSTRUCTIONS

READ ALL INSTRUCTIONS BEFORE USING.

▲ WARNING! *For your safety, the information in this manual must be followed to minimize the risk of fire or explosion, electric shock, or to prevent property damage, personal injury, or loss of life.*

PROPER INSTALLATION

This dryer must be properly installed and located in accordance with the Installation Instructions before it is used. Installation Instructions are included in the back of this manual.

- Properly ground dryer to conform with all governing codes and ordinances. Follow details in Installation Instructions.
- Install or store where it will not be exposed to temperatures below freezing or exposed to the weather.
- Connect to a properly rated, protected and sized power supply circuit to avoid electrical overload.
- Remove all sharp packing items and dispose of all shipping materials properly.

Exhaust/Ducting:

- 1 Gas dryers **MUST** be exhausted to the outside.
- 2 Exhausting electric dryers to the outside is **strongly recommended** to prevent large amounts of moisture and lint from being blown into the room.
- 3 Use only rigid metal 4" diameter ductwork inside the dryer cabinet. **USE OF PLASTIC OR OTHER COMBUSTIBLE DUCTWORK CAN CAUSE A FIRE. PUNCTURED DUCTWORK CAN CAUSE A FIRE IF IT COLLAPSES OR BECOMES OTHERWISE RESTRICTED IN USE OR DURING INSTALLATION.**

For complete details, follow the Installation Instructions.

YOUR LAUNDRY AREA

- Keep the area underneath and around your appliances free of combustible materials (lint, paper, rags, etc.), gasoline, chemicals and other flammable vapors and liquids.
- Keep the floor around your appliances clean and dry to reduce the possibility of slipping.
- Close supervision is necessary if this appliance is used by or near children. Do not allow children to play on, with or inside this or any other appliance.
- Keep the area around the exhaust opening and adjacent surrounding areas free from the accumulation of lint, dust, and dirt.
- Keep all laundry aids (such as detergents and bleaches) out of the reach of children, preferably in a locked cabinet. Observe all warnings on container labels to avoid injury.
- Never climb on or stand on the dryer top.

IMPORTANT SAFETY INSTRUCTIONS

READ ALL INSTRUCTIONS BEFORE USING.

▲ WARNING! *For your safety, the information in this manual must be followed to minimize the risk of fire or explosion, electric shock, or to prevent property damage, personal injury, or loss of life.*

WHEN USING YOUR DRYER

- Never reach into the dryer while the drum is moving. Before loading, unloading, or adding clothes, wait until the drum has completely stopped.
- Clean the lint filter before each load to prevent lint accumulation inside the dryer or in the room. **DO NOT OPERATE THE DRYER WITHOUT THE LINT FILTER IN PLACE.**
- Do not wash or dry articles that have been cleaned in, washed in, soaked in or spotted with combustible or explosive substances (such as wax, oil, paint, gasoline, degreasers, dry-cleaning solvents, kerosene). These substances give off vapors that may ignite or explode. Do not add these substances to the wash water. Do not use or place these substances around your washer or dryer during operation.
- Do not place items exposed to cooking oils in your dryer. Items contaminated with cooking oils may contribute to a chemical reaction that could cause a clothes load to catch fire.
- Any article on which you have used a cleaning solvent or that contains flammable materials (such as cleaning cloths, mops, towels used in beauty salons, restaurants or barber shops) must not be placed in or near the dryer until solvents or flammable materials have been removed. There are many highly flammable items used in homes such as acetone, denatured alcohol, gasoline, kerosene, some household cleaners, some spot removers, turpentine, waxes, wax removers and products containing petroleum distillates.
- The laundry process can reduce the flame retardancy of fabrics. To avoid such a result, carefully follow the garment manufacturer's care instructions.
- Do not dry articles containing rubber, plastic, foam or similar materials such as padded bras, galoshes, bath mats, rugs, bibs, baby pants, plastic bags and pillows, that may melt or burn. Some rubber materials, when heated, can under certain circumstances produce fire by spontaneous combustion.
- Do not store plastic, paper or clothing that may burn or melt on top of the dryer during operation.
- Garments labeled **Dry Away from Heat** or **Do Not Tumble Dry** (such as life jackets containing kapok) must not be put in your dryer.
- Do not dry fiberglass articles in your dryer. Skin irritation could result from the remaining particles that may be picked up by clothing during subsequent dryer uses.
- To minimize the possibility of electric shock, unplug this appliance from the power supply or disconnect the dryer at the building's distribution panel by removing the fuse or switching off the circuit breaker before attempting any maintenance or cleaning (except the removal and cleaning of the lint filter). **NOTE:** Pressing STOP or POWER does NOT disconnect the appliance from the power supply.

IMPORTANT SAFETY INSTRUCTIONS

READ ALL INSTRUCTIONS BEFORE USING.

⚠ WARNING! *For your safety, the information in this manual must be followed to minimize the risk of fire or explosion, electric shock, or to prevent property damage, personal injury, or loss of life.*

WHEN USING YOUR DRYER (cont.)

- Never attempt to operate this appliance if it is damaged, malfunctioning, partially disassembled, or has missing or broken parts, including a damaged cord or plug.
- The interior of the machine and the exhaust duct connection inside the dryer should be cleaned at least once a year by a qualified technician. See the Loading and Using the Dryer section.
- If yours is a gas dryer, it is equipped with an automatic electric ignition and does not have a pilot light. **DO NOT ATTEMPT TO LIGHT WITH A MATCH.** Burns may result from having your hand in the vicinity of the burner when the automatic ignition turns on.
- You may wish to soften your laundered fabrics or reduce the static electricity in them by using a dryer-applied fabric softener or an antistatic conditioner. We recommend you use either a fabric softener in the wash cycle, according to the manufacturer's instructions for those products, or try a dryer-added product for which the manufacturer gives written assurance on the package that their product can be safely used in your dryer. Service or performance problems caused by use of these products are the responsibility of the manufacturers of those products and are not covered under the warranty of this appliance.

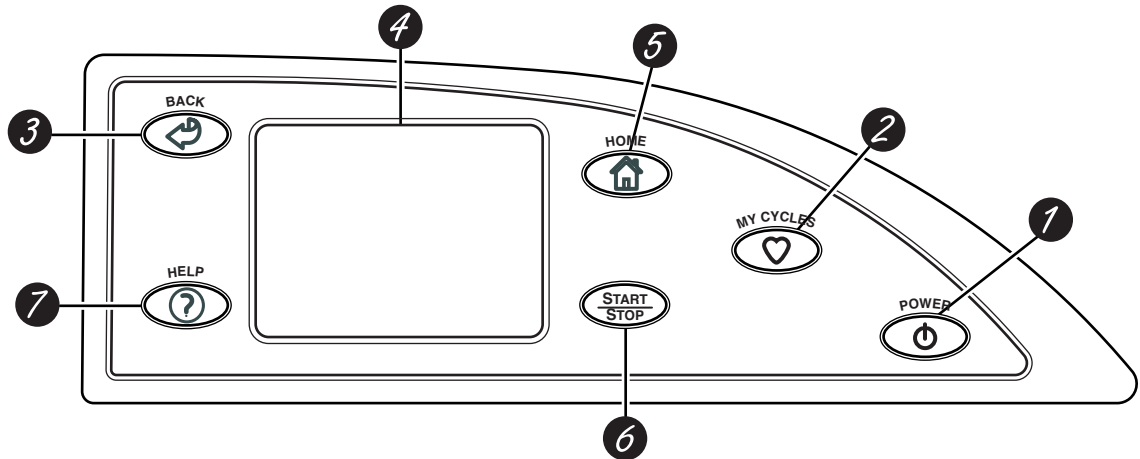
WHEN NOT USING YOUR DRYER

- Grasp the plug firmly when disconnecting this appliance to avoid damage to the cord while pulling. Place the cord away from traffic areas so it will not be stepped on, tripped over or subjected to damage.
- Do not attempt to repair or replace any part of this appliance or attempt any servicing unless specifically recommended in this Owner's Manual or in published user-repair instructions that you understand and have the skills to carry out.
- Before discarding a dryer, or removing it from service, remove the dryer door to prevent children from hiding inside.
- Do not tamper with controls.

***READ AND FOLLOW THIS SAFETY INFORMATION CAREFULLY.
SAVE THESE INSTRUCTIONS.***

▲ WARNING! To reduce the risk of fire, electric shock, or injury to persons, read the **IMPORTANT SAFETY INSTRUCTIONS** before operating this appliance.

Throughout this manual, features and appearance may vary from your model.



Features of the dryer control panel

- 1 **POWER.** Press to “wake up” the display. If the display is active, press to put the dryer into standby mode. You may also press the Touch Screen or any button to “wake up” the display.
NOTE: Pressing POWER does not disconnect the appliance from the power supply.
- 2 **MY CYCLES.** Press to use, create, rename, modify or delete custom dry cycles.
- 3 **BACK.** Press to return to the previous screen.
- 4 **TOUCH SCREEN.** Press the graphics on the interactive display to use the dryer features.
Do not use sharp objects to press the Touch Screen.
NOTE: If the dryer is inactive for 5 minutes, the Touch Screen will go into standby mode, and the display will be dark. Press the Touch Screen or any button to “wake up” the display.
- 5 **HOME.** Press to return to the “TOUCH TO SELECT Sensor DRY CYCLE” screen (Home Screen).
- 6 **START/STOP.** Press to start a dry cycle. If the dryer is running, pressing once will pause the dryer. Press again to restart the dry cycle.
NOTE: If the dryer is paused and the cycle is not restarted within one hour, the dryer will enter standby mode and the current dry cycle will be canceled.
- 7 **HELP.** Press to set machine preferences, to find help using the Touch Screen or to find troubleshooting tips for common dryer problems.

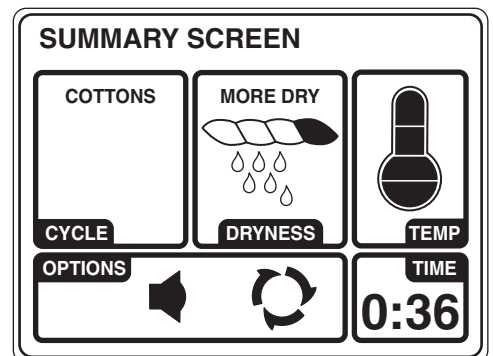
Getting Started

If the Touch Screen is dark, press **POWER** or the Touch Screen to access the dry cycles menu.

- 1 Clean the lint filter.
IMPORTANT: Clean the lint filter each time you use the dryer.
- 2 Add clothes. **Do not overload.** This wastes energy and promotes wrinkling.
- 3 Select one of the five drying methods from the Home Screen:
 - Press **BY FABRIC** to dry according to fabric type.
 - Press **BY GARMENT** to dry according to clothing type.
 - Press **SPECIAL CYCLES** to dry nongarment items, to dry without heat or to dry using the drying rack.
 - Press **TIMED DRY** to specify a drying time and temperature.
 - Press **WASHER RECOMMENDED CYCLE** to transfer the information that was input into the washer to the dryer.
- 4 Change any of the automatic settings, if desired, by pressing the Touch Screen and following the on-screen instructions.
By changing the settings you can:
 - Change the level of dryness
 - Change the drying temperature
 - Set a Delay Start or Extended Tumble, or change the End-of-Cycle Signal volume
 - Adjust time settings
- 5 Close the door and press **START**.
The dryer will not operate unless the door is closed.



Home Screen



Washer Communicated Cycles

If the Washer/Dryer Communication features of your washer and dryer are turned ON, your dryer will receive cycle information from your washer to create a dry cycle that matches your wash load.

After the wash cycle is complete, communication begins once either the washer or dryer Touch Screen is activated.

Once the information is received, your dryer can then create the optimal dry cycle for your load. You can then change any of the automatic cycles, as desired.

NOTE: For some communicated wash cycles, your dryer will prompt you to select a **FABRIC TYPE**.

See "Final Setup" in the Installation Instructions for attaching the serial cable for Washer/Dryer Communication.



Dryer Cycles

GEAppliances.com

If the Touch Screen is dark, press **POWER** or the Touch Screen to access the dry cycles menu.

The default cycle settings are based on standard load types. Always follow the fabric manufacturer's care label when laundering.

Drying by Fabric Type

Select **By FABRIC** to dry loads sorted by fabric type.

FABRIC CYCLES include:

- Blends (on some models)
- Cottons
- Delicates
- Easy Care (on some models)
- Knits
- Polyester
- Silks (Washable)



Drying by Garment Type

Select **By Garment** to dry loads sorted by garment type.

GARMENT CYCLES include:

- Athletic Wear
- Blouses
- Delicates
- Dress Shirts
- Easy Care
- Everyday Wear/Casual
- Jackets/Coats
- Jeans
- Khakis
- Knits
- Lingerie
- Mixed Garments
- Play Clothes
- Silks (Washable)
- Sweaters
- Swimwear
- Underwear



Drying Using the Special Cycles

Select **SPECIAL CYCLES** to dry loads of nongarment items, use the drying rack or to tumble using low or no heat.

SPECIAL CYCLES include:

- Air Dry
- Blankets (Cotton)
- Blankets (Other)
- Comforter
- Dewrinkle
- Dryel™
- Pet Bedding (Washable)
- Pillows (Washable)
- Rack Dry
- Sheets
- Sneakers
- Throw Rugs (Washable)
- Towels
- Warm Up
- Hosiery/Bra (mesh bag)
- Washable Wools



Drying Using Timed Dry

Select **TIMED DRY** to set your own drying time.

Timed Dry is also recommended for small loads.

- 1 Press **TIMED DRY**.
- 2 Use the arrows to set more or less time; then press **OK**.
- 3 Use the arrows to set the temperature; then press **OK**.
- 4 Press **START**.



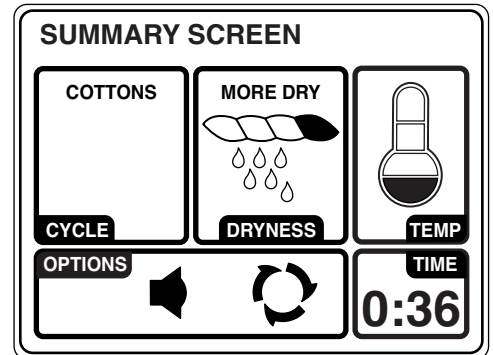
Summary Screen

GEAppliances.com

About the Summary Screen

After selecting a dry cycle, the Summary Screen displays the automatic settings for the cycle you have chosen. You can adjust these by touching the screen location for any of the settings shown.

If you change any of the automatic settings, you can save the new settings as a custom “My Cycle” by pressing the **MY CYCLES** button while on the Summary Screen and choosing **SAVE CURRENT SETTINGS**.



Changing the Dryness Level

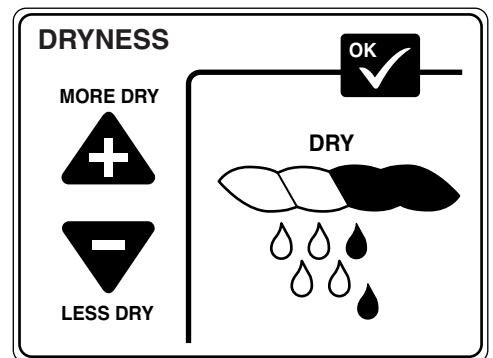
To change the dryness level, touch the **DRYNESS** pad on the Touch Screen; then use the arrows to select the level of dryness. Press **OK** when you have reached the desired setting.

MORE DRY – Use for heavy-duty fabrics or items that should be very dry, such as towels.

DRY – Use for a normal dryness level suitable for most loads. This is the preferred cycle for energy saving.

LESS DRY – Use for lighter fabrics.

DAMP – Use to leave items partially damp.



Changing the Drying Temperature

To change the drying temperature, touch the **TEMP** pad on the Touch Screen; then use the arrows to select higher or lower temperature. Press **OK** when you have reached the desired setting.

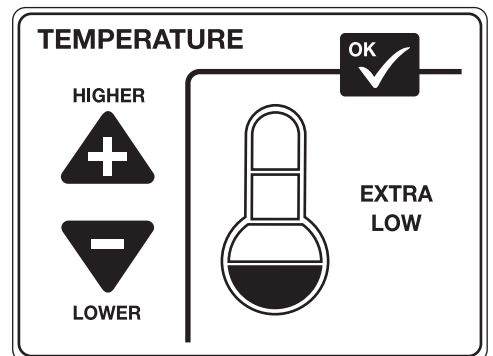
HIGH – For regular to heavy cottons.

MEDIUM – For synthetics, blends and items labeled permanent press.

LOW – For delicates, synthetics and items labeled Tumble Dry Low.

EXTRA LOW – For delicates, lingerie and special-care fabrics.

AIR DRY – For tumbling items without heat.



*About the
Drying
Options*

Touch the **OPTIONS** pad on the Touch Screen to select drying options. After selecting any drying options, press **OK** to save your setting.

Delay Start

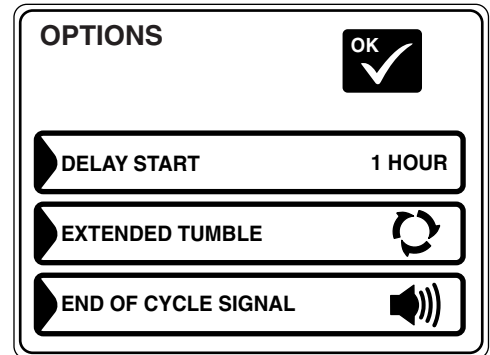
Touch the **DELAY START** pad repeatedly to set a delay time of up to 12 hours. The countdown time will be shown in the display.

Extended Tumble

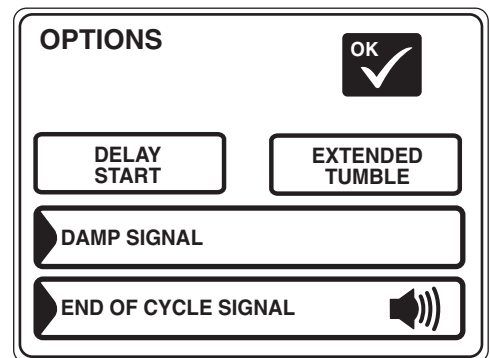
Minimizes wrinkles by adding approximately 20 minutes of no-heat tumbling after clothes are dry. Touch **EXTENDED TUMBLE** to turn the feature on or off. If set, the Extended Tumble time will not be included in the cycle time shown in the display. The dryer will signal for the first 6 minutes during Extended Tumble.

End-of-Cycle Signal

Alerts you that the cycle is complete. The clothes should be removed when the beeper goes off so wrinkles won't set in. Touch **END OF CYCLE SIGNAL** to select the volume or to turn the beeper off. The new volume will be saved as the default setting.



(on some models)

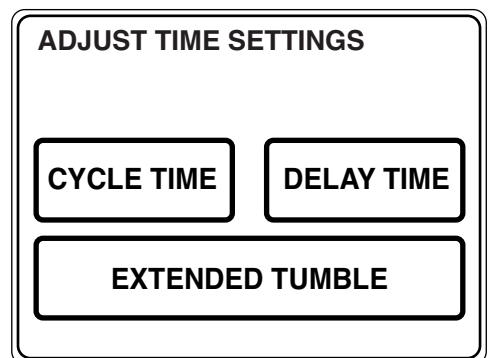


*Adjusting the
Time Settings*

You can adjust the time setting for the dry cycle, delay start and extended tumble times. Touch the **TIME** pad on the Summary Screen; then choose the time you wish to adjust.

To change the dry cycle time, select **CYCLE TIME**; then use the arrows to select more or less drying time. If the Cycle Time is changed, the dryness sensor will be turned off.

To change the delay start or extended tumble time, select **DELAY TIME** or **EXTENDED TUMBLE**; then follow the instructions in the About the Drying Options section.



*About the
Cycle Status
Screen*

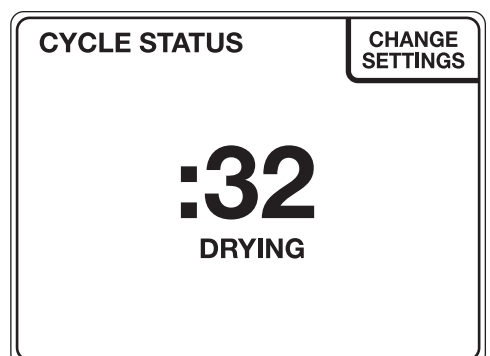
After you press **START**, a Cycle Status screen will appear to indicate what cycle the dryer is in and the time remaining in the cycle.

DRYING – The dryer is sensing the moisture level of the load.

SENSING – The dryer is determining if the correct dryness level has been reached.

COOL DOWN – The load is dry and may be removed (the dryer will continue to blow cool air for up to 5 minutes).

EXTENDED TUMBLE – The load is dry and may be removed (the drum will continue to turn without heat for up to 20 minutes).



About the “My Cycles” Feature

The “My Cycles” feature allows you to create, store and reuse up to 6 custom cycles. Create your own cycles from scratch or adjust the settings of a predefined dry cycle; then save for one-touch recall.



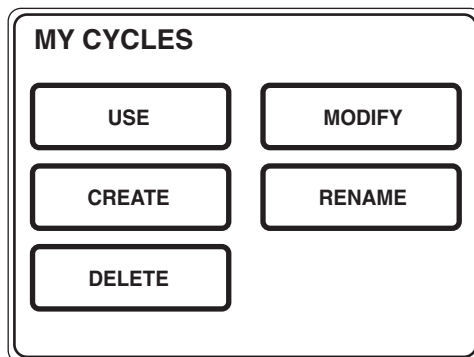
Creating and Using a “My Cycle”

You can create “My Cycles” two ways, by either modifying a predefined dry cycle or creating a cycle from your own combination of settings and options.

To build your own “My Cycle” from the Home Screen:

- 1 Press the **MY CYCLES** button.
- 2 Select **CREATE** from the Touch Screen menu.
- 3 Choose whether you want to modify a predefined cycle or create a new cycle.
- 4 If you are modifying a predefined cycle, select the dry cycle you wish to modify.
- 5 Change any of the automatic settings and select any options.
- 6 Touch **SAVE** on the Touch Screen.
- 7 Using the keypad on the Touch Screen, type the name of your “My Cycle” and press **OK**.

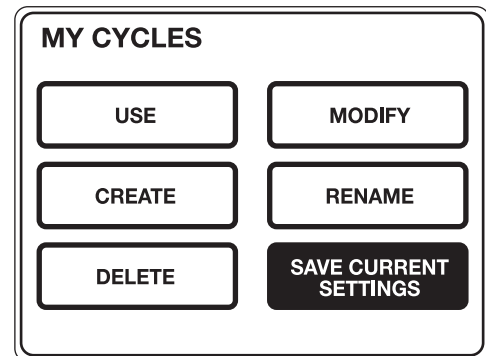
To begin using your new “My Cycle” right away, select it from the Touch Screen menu and press **START**.



To save a current cycle as a “My Cycle” from the Summary Screen:

- 1 After setting a dry cycle, or after a dry cycle has just completed, press the **MY CYCLES** button.
- 2 Select **SAVE CURRENT SETTINGS** from the Touch Screen menu.
- 3 Using the keypad on the Touch Screen, type the name of your “My Cycle” and press **OK**.

To begin using your new “My Cycle” right away, select it from the Touch Screen menu and press **START**.



To use a “My Cycle” from the Home Screen:

- 1 Press the **MY CYCLES** button.
- 2 Select **USE** from the Touch Screen menu.
- 3 Select the cycle name from the Touch Screen menu.
- 4 Change any of the automatic settings and select any options.
- 5 Press **START**.

Modifying, Renaming or Deleting a “My Cycle”

To modify the settings of a “My Cycle” from the Home Screen:

- 1 Press the **MY CYCLES** button.
- 2 Select **MODIFY** from the Touch Screen menu.
- 3 Select the cycle name from the Touch Screen menu.
- 4 Change any of the automatic settings and select any options.
- 5 Press **SAVE** on the Touch Screen.

To rename a “My Cycle” from the Home Screen:

- 1 Press the **MY CYCLES** button.
- 2 Select **RENAME** from the Touch Screen menu.
- 3 Select the cycle name from the Touch Screen menu.
- 4 Using the keypad on the Touch Screen, type the name of your “My Cycle” and press **OK**.

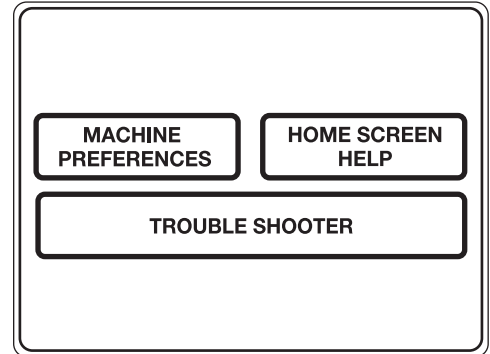
To delete a “My Cycle” from the Home Screen:

- 1 Press the **MY CYCLES** button.
- 2 Select **DELETE** from the Touch Screen menu.
- 3 Select the cycle name from the Touch Screen menu.
- 4 Choose **YES** to delete the cycle or **CANCEL** to return to the list of “My Cycles.”

About the Help Feature

Pressing the **HELP** button from the Home Screen allows you to locate troubleshooting tips for common dryer problems, to find help with using the Home Screen or to set machine preferences.

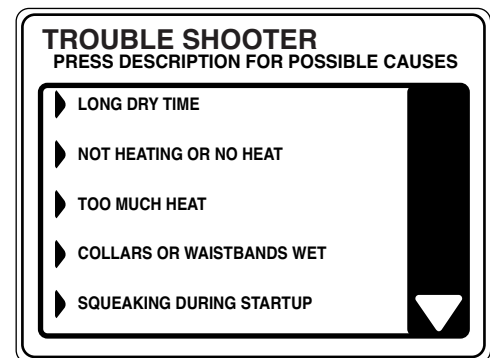
Pressing the **HELP** button while on any other screen allows you to find additional information on features found on that screen. Press **HELP**; then touch any pad on the Touch Screen for an explanation of that feature. To exit the feature, press **HELP** once to return to the previous screen or twice to exit Help.



Using the Troubleshooter

To locate Troubleshooting Tips for common dryer problems:

- 1 Press the **HELP** button.
- 2 On the Touch Screen, select **TROUBLE SHOOTER**.
- 3 On the Touch Screen, select the problem description from the list. You can use the arrows at the right of the screen to scroll up and down through the list of additional problems.
- 4 On the Touch Screen, select a possible cause for the problem and follow the on-screen instructions to find a solution.



Finding Help Using the Home Screen

Pressing the **HELP** button then selecting **HOME SCREEN HELP** allows you to find additional information on features found on the Home Screen. Touch any pad on the Touch Screen for an explanation of that feature. To exit the feature, press the **BACK** button.

Setting the Machine Preferences

The machine settings on the Help feature allow you to control the volume of the button beep and end-of-cycle signal, and turn the washer/dryer communication feature on or off.

Press the **HELP** button, then select from the on-screen options.

Button Beep

The button beep controls the volume of the beep that is made when you press any of the buttons on the control panel or Touch Screen.

To change the volume of the button beep:

- 1 From the Home Screen, press the **HELP** button.
- 2 Select **MACHINE PREFERENCES** from the Touch Screen.
- 3 Select **BUTTON BEEP** from the Touch Screen.
- 4 Use the arrows to make the volume louder or softer, or to turn the beep off.
- 5 Select **OK** from the Touch Screen.

The new volume is now saved as the default setting.

Washer/Dryer Communication

Washer/Dryer communication allows your washer to send cycle information to your dryer to create a dry cycle that matches your wash load.

After the wash cycle is complete, communication begins once either the washer or dryer Touch Screen is activated or washer lid is up.

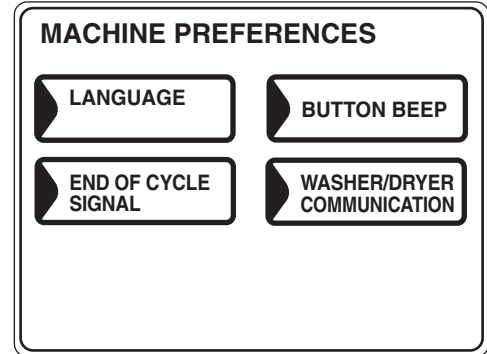
Once the information is sent, your dryer will create the optimal dry cycle for your load.

If you have sorted your wash load by color or garment and therefore selected color or garment on the washer Touch Screen, upon transferring the information to the dryer, the dryer will ask you to select the fabric type. This is normal, and is done to properly optimize drying time for the just-washed load. After selecting the fabric type, the dryer display screen will be shown. After reviewing, press **START**.

If the dryer display screen is off and you want to use the “Washer Recommended Cycle” to dry your clothes, touch the display screen on the dryer to activate. You will have a “Washer Recommended Cycle” button appear on your dryer Home Screen. Push it for retrieving the recommended dryer cycle for the just-washed load.

To turn the Washer/Dryer Communication feature on or off:

- 1 From the Home Screen, press the **HELP** button.
- 2 Select **MACHINE PREFERENCES** from the Touch Screen.



- 3 Select **WASHER/DRYER COMMUNICATION** from the Touch Screen.
- 4 Touch the pad at the bottom of the Touch Screen to select **ON** or **OFF**.
- 5 Select **OK** from the Touch Screen.

End-of-Cycle Signal

The End-of-Cycle signal alerts you when the cycle is complete.

To change the volume of the end-of-cycle signal:

- 1 From the Home Screen, press the **HELP** button.
- 2 Select **MACHINE PREFERENCES** from the Touch Screen.
- 3 Select **END OF CYCLE SIGNAL** from the Touch Screen.
- 4 Use the arrows to make the volume louder or softer, or to turn the signal off.
- 5 Select **OK** from the Touch Screen.

The new volume is now saved as the default setting.

Language

The language button allows the user to switch between English and Spanish.

To change the language:

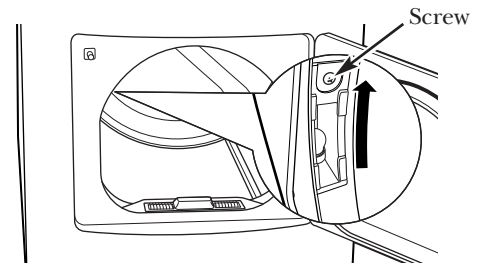
- 1 From the Home Screen, press the **HELP** button.
- 2 Select **MACHINE PREFERENCES/PREFERENCIAS DE LA MÁQUINA** from the Touch Screen.
- 3 Select **LANGUAGE/IDIOMA** from the Touch Screen.
- 4 Select either **ENGLISH** or **EL ESPANOL** from the Touch Screen.
- 5 Select **OK** from the Touch Screen.

Changing the Drum Lamp

Before replacing the drum lamp, be sure to unplug the dryer power cord or disconnect the dryer at the household distribution panel by removing the fuse or switching off the circuit breaker.

The drum lamp is located at the top left of the door frame.

- 1 Remove the screw holding the drum lamp shield in place.
- 2 Slide the shield up and remove.
- 3 Remove the bulb and replace with a 15-watt, 120-volt candelabra-base bulb.
- 4 Replace the lamp shield and screw.



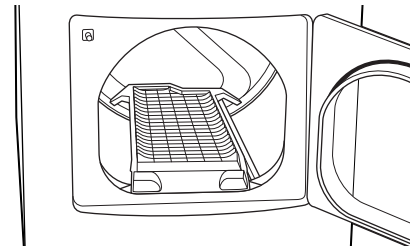
Using the Drying Rack

A handy drying rack may be used for drying delicate items such as washable sweaters.

Hook the rack over the lint filter so the rack extends into the dryer drum.

NOTE:

- The drying rack should only be used with the **TIMED DRY** or **RACK DRY** cycles. It is also strongly recommended when drying sneakers.
- Do not use this drying rack when there are other clothes in the dryer.



Always follow fabric manufacturer's care label when laundering.

Sorting and Loading Hints

As a general rule, if clothes are sorted properly for the washer, they are sorted properly for the dryer. Try also to sort items according to size. For example, do not dry a sheet with socks or other small items.

Do not add fabric softener sheets once the load has become warm. They may cause fabric softener stains. Bounce® Fabric Conditioner Dryer Sheets have been approved for use in all GE Dryers when used in accordance with the manufacturer's instructions.

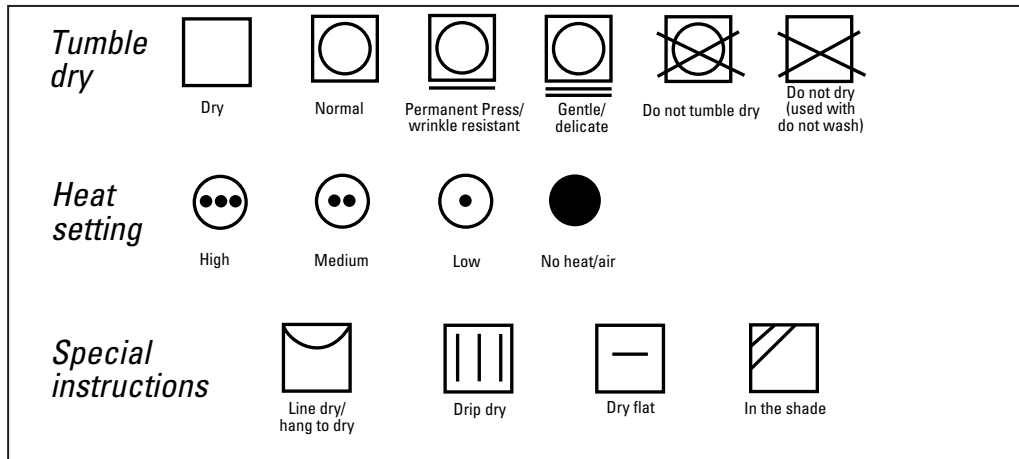
Do not overload. This wastes energy and causes wrinkling.

Do not dry the following items: fiberglass items, woolens, rubber-coated items, plastics, items with plastic trim and foam-filled items.

Fabric Care Labels

Below are fabric care label "symbols" that affect the clothing you will be laundering.

Dry Labels



Care and Cleaning of the Dryer

Dryer Interior and Duct: The interior of the appliance and exhaust duct should be cleaned once a year by qualified service personnel.

The Exterior: Wipe or dust any spills or washing compounds with a damp cloth. Dryer control panel and finishes may be damaged by some laundry pretreatment soil and stain remover products. Apply these products away from the dryer. The fabric may then be washed and dried normally. Damage to your dryer caused by these products is not covered by your warranty.

Do not touch the surface or the Touch Screen with sharp objects.

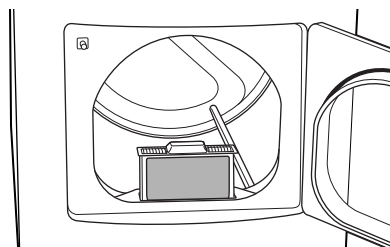
The Lint Filter: Clean the lint filter before each use. Remove by pulling straight up. Run your fingers across the filter. A waxy buildup may form on the lint filter from using dryer-added fabric softener sheets. To remove this buildup, wash the lint screen in warm, soapy water. Dry thoroughly and replace. Do not operate the dryer without the lint filter in place.

Vacuum the lint from the dryer lint filter area if you notice a change in dryer performance.

Stainless Steel: To clean stainless steel surfaces, use a damp cloth with a mild, nonabrasive cleaner suitable for stainless steel surfaces. Remove the cleaner residue, and then dry with a clean cloth.

The stainless steel used to make the dryer drum provides the highest reliability available in a GE dryer. If the dryer drum should be scratched or dented during normal use, the drum will not rust or corrode. These surface blemishes will not affect the function or durability of the drum.

The Exhaust Hood: Check with a mirror that the inside flaps of the hood move freely when operating. Make sure that there is no wildlife (birds, insects, etc.) nesting inside the duct or hood.



Installation Instructions

Dryer DPGT750

Questions? Call 800.GE.CARES (800.432.2737) or visit our Web site at: GEAppliances.com

BEFORE YOU BEGIN

Read these instructions completely and carefully.

- **IMPORTANT** – Save these instructions for local electrical inspector's use.
- **IMPORTANT** – Observe all governing codes and ordinances.
- Install the clothes dryer according to the manufacturer's instructions and local codes.
- **Note to Installer** – Be sure to leave these instructions with the Consumer.
- **Note to Consumer** – Keep these instructions for future reference.
- Clothes dryer installation must be performed by a qualified installer.
- This dryer **must** be exhausted to the outdoors.
- Before the old dryer is removed from service or discarded, remove the dryer door.
- Service information and the wiring diagram are located in the control console.
- Do not allow children on or in the appliance. Close supervision of children is necessary when the appliance is used near children.
- Proper installation is the responsibility of the installer.
- Product failure due to improper installation is not covered under the Warranty.
- Install the dryer where the temperature is above 50°F for satisfactory operation of the dryer control system.
- Remove and discard existing plastic or metal foil duct and replace with UL-listed duct.

CALIFORNIA SAFE DRINKING WATER AND TOXIC ENFORCEMENT ACT

This act requires the governor of California to publish a list of substances known to the state to cause cancer, birth defects or other reproductive harm and requires businesses to warn customers of potential exposure to such substances. Gas appliances can cause minor exposure to four of these substances, namely benzene, carbon monoxide, formaldehyde and soot, caused primarily by the incomplete combustion of natural gas or LP fuels. Properly adjusted dryers will minimize incomplete combustion. Exposure to these substances can be minimized further by properly venting the dryer to the outdoors.

FOR YOUR SAFETY:

⚠ WARNING – Risk of Fire

- To reduce the risk of severe injury or death, follow all installation instructions.
- Clothes dryer installation must be performed by a qualified installer.
- Install the clothes dryer according to these instructions and in accordance with local codes.
- This dryer must be exhausted to the outdoors.
- Use only 4" rigid metal ducting for exhausting the clothes dryer to the outdoors.
- DO NOT install a clothes dryer with flexible plastic ducting materials. If flexible metal (semi-rigid or foil-type) duct is installed, it must be UL-listed and installed in accordance with the instructions found in "Connecting the Dryer to House Vent" on page 29 of this manual. Flexible ducting materials are known to collapse, be easily crushed and trap lint. These conditions will obstruct dryer airflow and increase the risk of fire.
- Do not install or store this appliance in any location where it could be exposed to water and/or weather.
- The National Fuel Gas Code restricts installations of gas appliances in garages. They must be 18 inches off the ground and protected by a barrier from vehicles.
- Save these instructions. (Installers: Be sure to leave these instructions with the customer.)

FOR GAS MODELS ONLY:

NOTE: Installation and service of this dryer must be performed by a qualified installer, service agency or the gas supplier.

In the Commonwealth of Massachusetts:

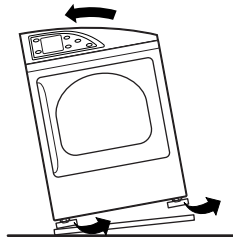
- This product must be installed by a licensed plumber or gas fitter.
- When using ball-type gas shut-off valves, they shall be T-handle-type.
- A flexible gas connector, when used, must not exceed 3 feet.

Installation Instructions

UNPACKING YOUR DRYER

Tilt the dryer sideways and remove the foam shipping pads by pulling at the sides and breaking them away from the dryer legs. Be sure to remove all of the foam pieces around the legs.

Remove the bag containing the drying rack, literature and serial cable.



SWITCH WASHER AND DRYER BACKSPLASHES (optional)

If necessary, switch the backsplashes for the washer and dryer before making exhaust or utility connections (see "Switching the Washer and Dryer Backsplashes").

LOCATION OF YOUR DRYER

IMPORTANT: Gas dryers are not approved for mobile home installation.

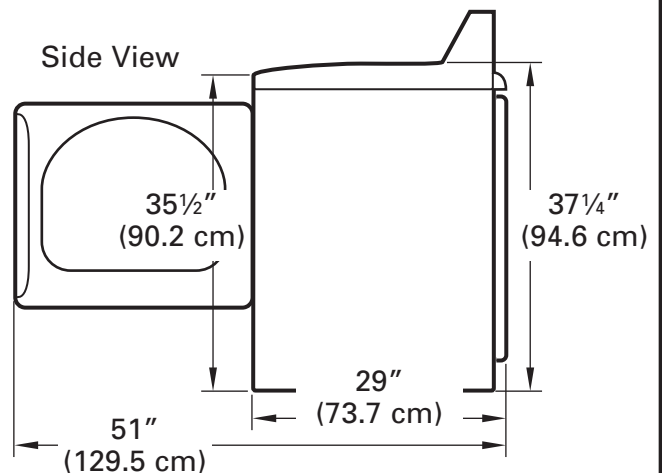
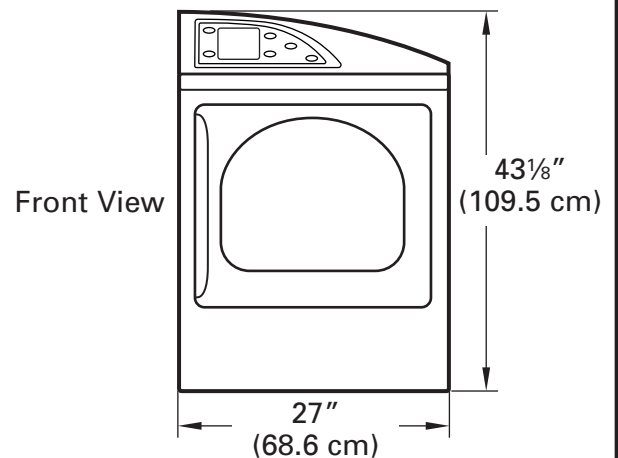
MINIMUM CLEARANCE OTHER THAN ALCOVE OR CLOSET INSTALLATION

Minimum clearance to combustible surfaces and for air openings are:

- 0 inch clearance both sides
- 1 inch front
- 3 inches rear

Consideration **must** be given to provide adequate clearance for proper operation and service.

DRYER DIMENSIONS



Installation Instructions

LOCATION OF YOUR DRYER (cont.)

REQUIREMENTS FOR ALCOVE OR CLOSET INSTALLATION

- Your dryer is approved for installation in an alcove or closet, as stated on a label on the dryer back.
- The dryer **MUST** be vented to the outdoors. See the EXHAUST INFORMATION section.
- Minimum clearance between dryer cabinet and adjacent walls or other surfaces is:
 - 0" either side
 - 3" front and rear
- Minimum vertical space from floor to overhead shelves, cabinets, ceilings, etc., is 52".
- Closet doors must be louvered or otherwise ventilated and have at least 60 square inches of open area equally distributed. If the closet contains both a washer and a dryer, doors must contain a minimum of 120 square inches of open area equally distributed.
- No other fuel-burning appliance shall be installed in the same closet with the dryer (gas models only).

BATHROOM OR BEDROOM INSTALLATION

- The dryer **MUST** be vented to the outdoors. See EXHAUST INFORMATION.
- The installation must conform with local codes or, in the absence of local codes, with the NATIONAL ELECTRICAL CODE, ANSI/NFPA NO. 70 (for electric dryers) or NATIONAL FUEL GAS CODE, ANSI Z223 (for gas dryers).

Installation Instructions

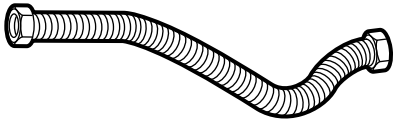
CONNECTING A GAS DRYER (skip for electric dryers)

TOOLS AND MATERIALS YOU WILL NEED FOR CONNECTING THE GAS SUPPLY

- Flat- or straight-blade screwdriver (may be needed for cord strain relief)



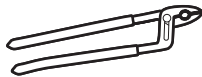
- Flexible stainless steel or plastic-coated brass connecting tube (if allowed by building code)



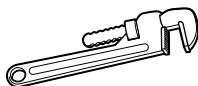
- Open-end wrenches for flexible tube and connector



- Adjustable pliers (to adjust leveling legs)



- Pipe wrench for holding dryer gas inlet while attaching adapter elbow



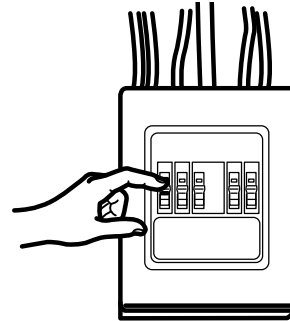
- Adjustable wrenches (2) for tightening connections



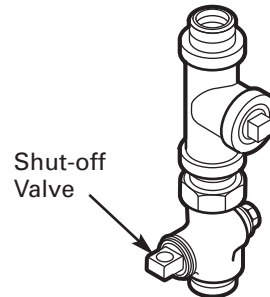
FOR YOUR SAFETY:

⚠ WARNING

Before beginning the installation, turn off the circuit breaker(s) or remove the dryer's circuit fuse(s) at the electrical box. Be sure the dryer cord is unplugged from the wall.



Turn the dryer's gas shut-off valve in the supply line to the OFF position.



Disconnect and discard old flexible gas connector and ducting material.



Installation Instructions

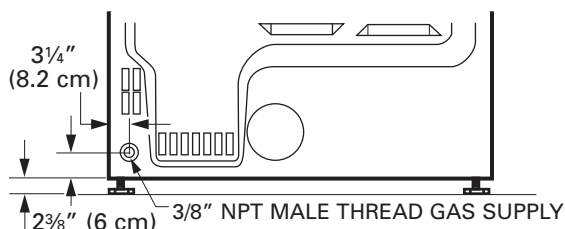
CONNECTING A GAS DRYER (cont.)

GAS REQUIREMENTS

⚠ WARNING

- Installation must conform to local codes and ordinances, or in their absence, the NATIONAL FUEL GAS CODE, ANSI Z223.
- This gas dryer is equipped with a Valve and Burner Assembly for use only with natural gas. Using conversion kit WE25X10014, your local service organization can convert this dryer for use with propane (LP) gas. ALL CONVERSIONS MUST BE MADE BY PROPERLY TRAINED AND QUALIFIED PERSONNEL AND IN ACCORDANCE WITH LOCAL CODES AND ORDINANCE REQUIREMENTS.
- The dryer must be disconnected from the gas supply piping system during any pressure testing of that system at a test pressure in excess of 0.5 PSI (3.4 KPa).
- The dryer must be isolated from the gas supply piping system by closing the equipment shut-off valve during any pressure testing of the gas supply piping of test pressure equal to or less than 0.5 PSI (3.4KPa).

DRYER GAS SUPPLY CONNECTION



NOTE: Add to vertical dimension the distance between cabinet bottom to floor.

GAS SUPPLY

- A 1/8" National Pipe Taper thread plugged tapping, accessible for test gauge connection, must be installed immediately upstream of the gas supply connection to the dryer. Contact your local gas utility should you have questions on the installation of the plugged tapping.
- Supply line is to be 1/2" rigid pipe and equipped with an accessible shut-off within 6 feet of, and in the same room with, the dryer.
- Use pipe compound appropriate for natural or LP gas or use Teflon® tape.
- Connect flexible metal connector to dryer and gas supply.

IN THE COMMONWEALTH OF MASSACHUSETTS

- This product must be installed by a licensed plumber or gas fitter.
- When using ball-type gas shut-off valves, they shall be the T-handle type.
- A flexible gas connector, when used, must not exceed 3 feet.

ADJUSTING FOR ELEVATION

- Gas clothes dryers input ratings are based on sea level operation and need not be adjusted for operation at or below 2000 ft. elevation. For operation at elevations above 2000 ft., input ratings should be reduced at a rate of 4 percent for each 1000 ft. above sea level.
- Installation must conform to local codes and ordinances or, in their absence, the NATIONAL FUEL GAS CODE, ANSI Z223.

Installation Instructions

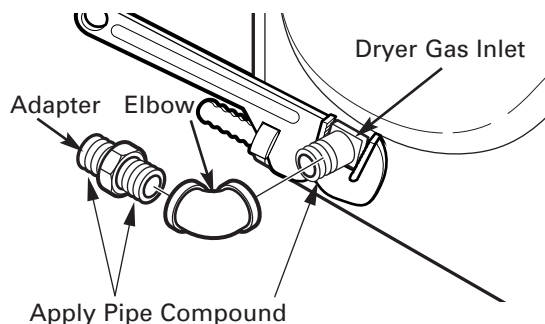
CONNECTING THE DRYER TO THE GAS SUPPLY

- A** Install a female 3/8" NPT elbow at the end of the dryer gas inlet.

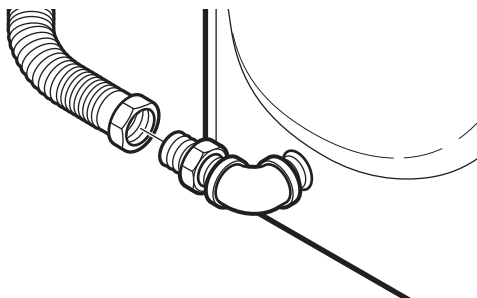
Install a 3/8" flare union adapter to the female elbow.

IMPORTANT: Use a pipe wrench to securely hold on to the end of the dryer gas inlet to prevent twisting the inlet.

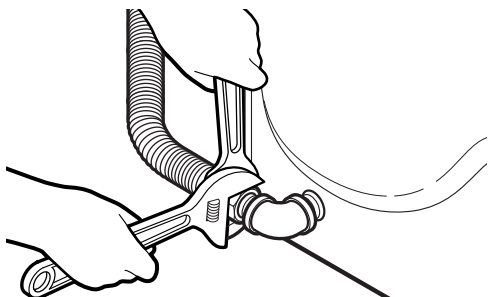
NOTE: Apply pipe compound or Teflon® tape to the threads of the adapter and dryer gas inlet.



- B** Attach the flexible metal gas line connector to the adapter.



- C** Tighten the flexible gas line connection using two adjustable wrenches.

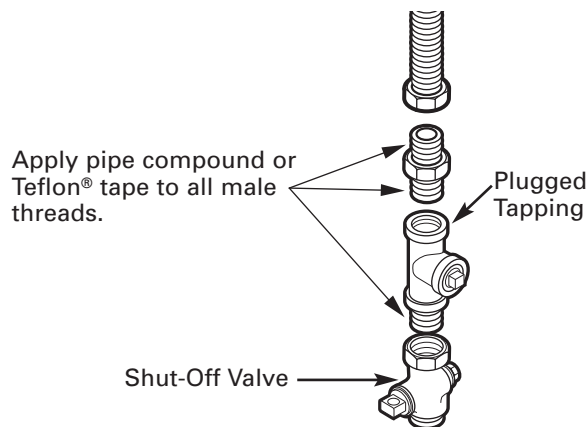


CONNECTING THE DRYER TO THE GAS SUPPLY (cont.)

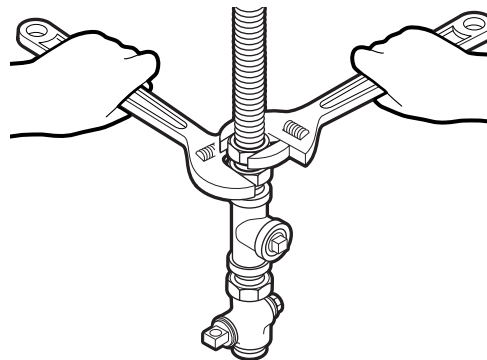
- D** Install a 1/8" NPT plugged tapping to the dryer gas line shut-off valve for checking gas inlet pressure.

Install a flare union adapter to the plugged tapping.

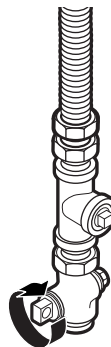
NOTE: Apply pipe compound or Teflon® tape to the threads of the adapter and plugged tapping.



- E** Tighten all connections using two adjustable wrenches. **Do not overtighten.**



- F** Open the gas shut-off valve.



Installation Instructions

CONNECTING A GAS DRYER (cont.)

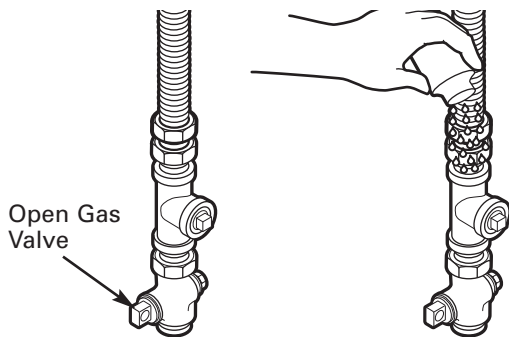
TEST FOR LEAKS

⚠ WARNING — Never use an open flame to test for gas leaks.

Check all connections for leaks with soapy solution or equivalent.

Apply a soap solution. The leak test solution must not contain ammonia, which could cause damage to the brass fittings.

If leaks are found, close the valve, retighten the joint and repeat the soap test.

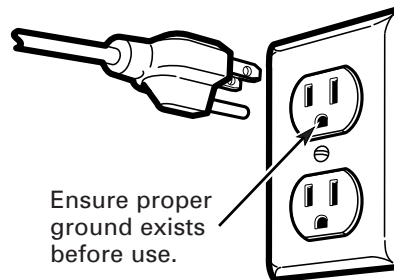


ELECTRICAL REQUIREMENTS FOR GAS DRYERS

This appliance must be supplied with 120V, 60Hz, and connected to a properly grounded branch circuit, protected by a 15- or 20-amp circuit breaker or time-delay fuse.

If electrical supply provided does not meet the above specifications, it is recommended that a licensed electrician install an approved outlet.

⚠ WARNING — This dryer is equipped with a three-prong (grounding) plug for your protection against shock hazard and should be plugged directly into a properly grounded three-prong receptacle. Do not cut or remove the grounding terminal from this plug.

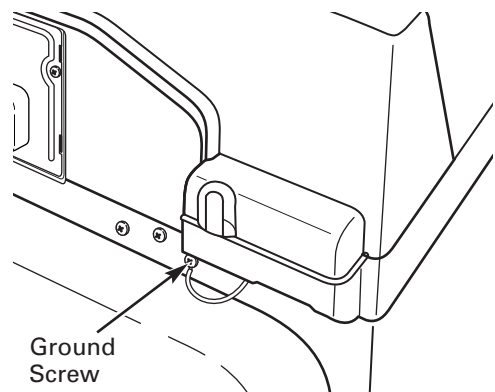


ELECTRICAL CONNECTION INFORMATION FOR GAS DRYERS

⚠ WARNING — To reduce the risk of fire, electrical shock and personal injury:

- Do not use an extension cord or an adapter plug with this appliance.
- The dryer must be electrically grounded in accordance with local codes and ordinances, or in the absence of local codes, in accordance with the NATIONAL ELECTRICAL CODE, ANSI/NFPA NO. 70.

If local codes permit, an external ground wire (not provided), which meets local codes, may be added by attaching to the green ground screw on the rear of the dryer, and to an alternate established ground.



Installation Instructions

CONNECTING AN ELECTRIC DRYER (skip for gas dryers)

TOOLS AND MATERIALS YOU WILL NEED FOR CONNECTING THE ELECTRICAL SUPPLY

- Flat- or straight-blade screwdriver (may be needed for cord strain relief)



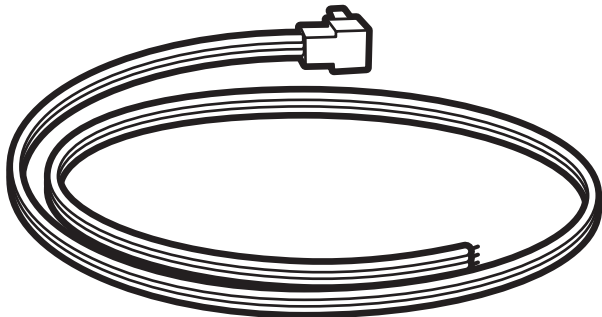
- #2 Phillips-head screwdriver (for terminal connections)



- UL-listed strain relief (may be supplied with cord)



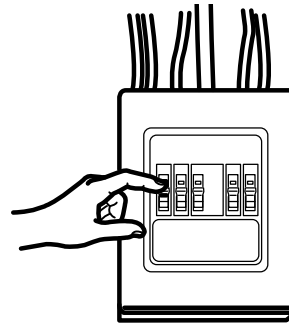
- UL-listed power cord
 - 30-amp
 - 240V
 - #10 AWG minimum copper conductor
 - Closed-loop or forked terminals with upturned ends
 - 3-wire (for construction before 1996) or 4-wire (for construction after 1996)



FOR YOUR SAFETY:

⚠ WARNING

Before making the electrical connection, turn off the circuit breaker(s) or remove the dryer's circuit fuse(s) at the electrical box. Be sure the dryer cord is unplugged from the wall. NEVER LEAVE THE ACCESS COVER OFF THE TERMINAL BLOCK.



ELECTRICAL CONNECTION INFORMATION FOR ELECTRIC DRYERS

⚠ WARNING – To reduce the risk of fire, electrical shock and personal injury:

- Do not use an extension cord or an adapter plug with this appliance.
- The dryer must be electrically grounded in accordance with local codes and ordinances, or in the absence of local codes, in accordance with the NATIONAL ELECTRICAL CODE, ANSI/NFPA NO. 70.

Installation Instructions

CONNECTING AN ELECTRIC DRYER (cont.)

ELECTRICAL REQUIREMENTS FOR ELECTRIC DRYERS

This dryer must be connected to an individual branch circuit, protected by the required time-delay fuses or circuit breakers. A three- or four-wire, single phase, 120/240V or 120/208V, 60Hz, 30-amp circuit is required.

If the electric supply does not meet the above specifications, then call a licensed electrician.

GROUNDING INSTRUCTIONS

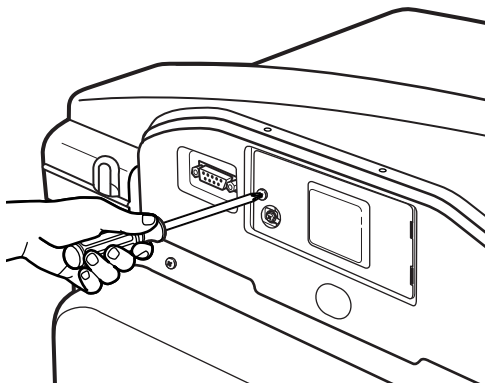
This dryer must be connected to a grounded metal, permanent wiring system, or an equipment-grounding conductor must be run with the circuit conductors and connected to the equipment grounding terminal on the appliance.

CONNECTING DRYER POWER CORD

NOTE: Since January 1, 1996, the National Electrical Code requires that new constructions utilize a 4-wire connection to an electric dryer. A 4-wire cord must also be used where local codes do not permit grounding through the neutral.

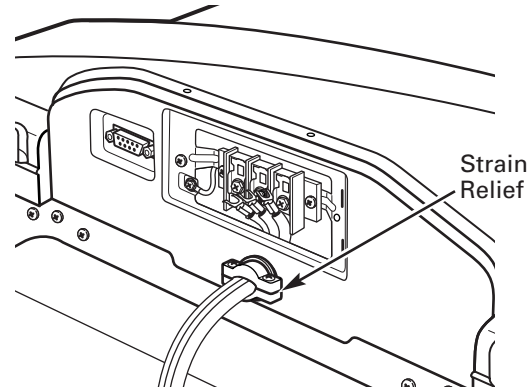
3-wire connection is NOT for use on new construction.

- A** Remove the terminal block access cover located at the upper back.



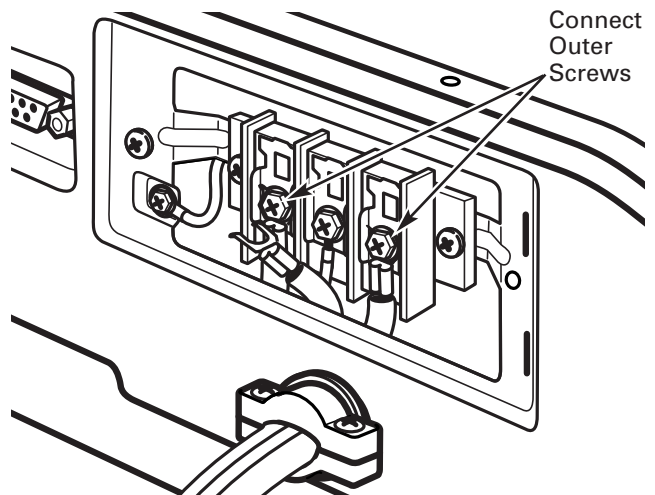
CONNECTING DRYER POWER CORD (cont.)

- B** For 3-wire and 4-wire Connection: Install a UL-listed strain relief into the power cord entry hole beneath the terminal block. Thread a UL-listed 30A, 240V, 3-wire or 4-wire, #10 AWG minimum copper conductor power cord through the strain relief.



(3-Wire Connection Shown)

- C** For 3-wire and 4-wire Connection: Connect the two hot lines to the outer screws of the terminal block.



(3-Wire Connection Shown)

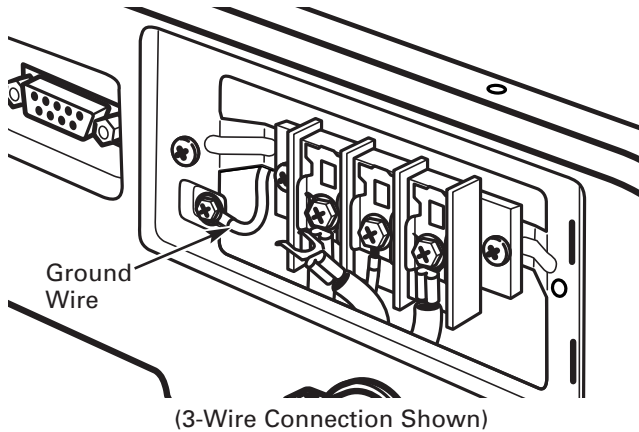
- ⚠ WARNING:** Do not make a sharp bend or crimp wiring/conductor at connections.

Installation Instructions

CONNECTING DRYER POWER CORD (cont.)

D For 3-wire Connection ONLY:

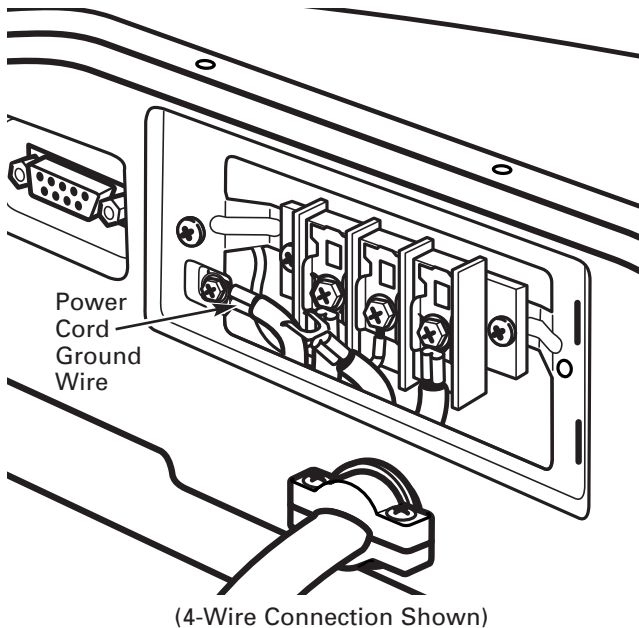
Be sure the dryer's green ground wire is connected to green ground screw on cabinet rear.



For 4-wire Connection ONLY:

Remove the dryer's ground wire from behind the green ground screw and connect it to the center screw of the terminal block.

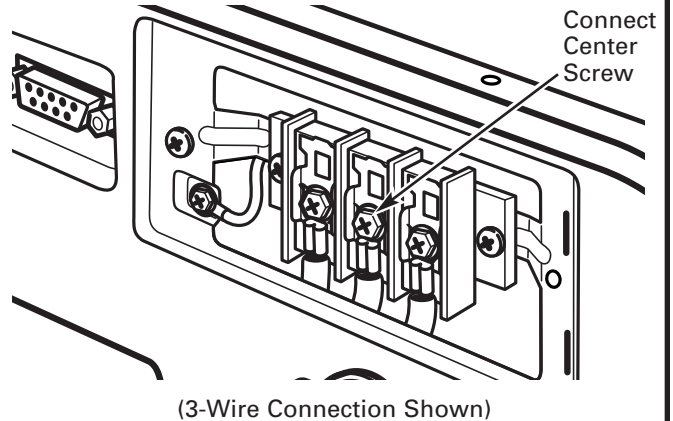
Attach ground wire of power cord to the cabinet with the green ground screw.



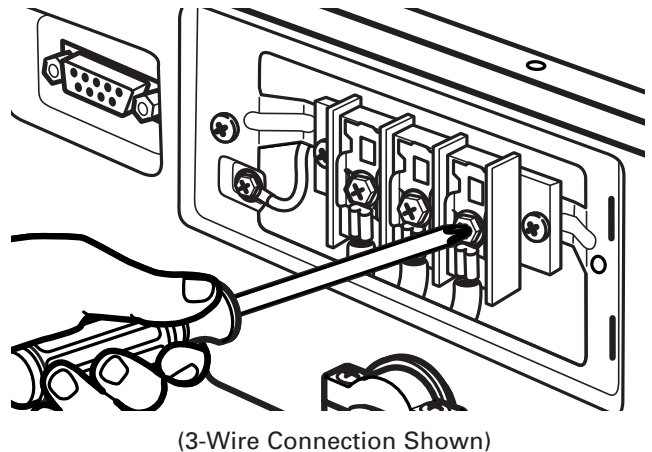
CONNECTING DRYER POWER CORD (cont.)

E For 3-wire and 4-wire Connection:

Connect the neutral (center line on 3-wire, white line on 4-wire) line to the center of terminal block.



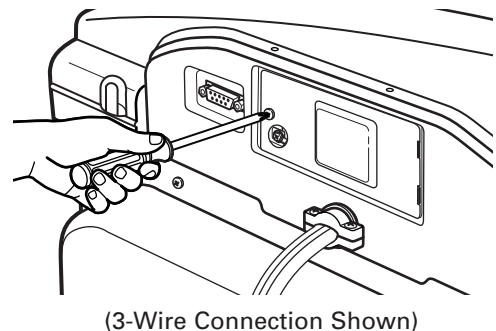
F For 3-wire and 4-wire Connection: Tighten all terminal block screws completely.



G For 3-wire and 4-wire Connection:

Reinstall the terminal block access cover.

IMPORTANT: Do not leave the access cover off.



Installation Instructions

EXHAUSTING THE DRYER

⚠ WARNING – To reduce the risk of fire or personal injury:

- This clothes dryer must be exhausted to the outdoors.
- Use only 4" rigid metal ducting for the home exhaust duct.
- Use only 4" rigid metal or UL-listed flexible metal (semi-rigid or foil-type) duct to connect the dryer to the home exhaust duct. It must be installed in accordance with the instructions found in "Connecting the Dryer to House Vent" on page 29 of this manual.
- Do not terminate exhaust in a chimney, a wall, a ceiling, gas vent, crawl space, attic, under an enclosed floor, or in any other concealed space of a building.
- Never terminate the exhaust into a common duct with a kitchen exhaust system. A combination of grease and lint creates a potential fire hazard.
- Do not use duct longer than specified in the exhaust length table. Longer ducts can accumulate lint, creating a potential fire hazard.
- Never install a screen in or over the exhaust duct. This will cause lint to accumulate, creating a potential fire hazard.
- Do not assemble ductwork with any fasteners that extend into the duct. These fasteners can accumulate lint, creating a potential fire hazard.
- Do not obstruct incoming or exhausted air.
- Provide an access for inspection and cleaning of the exhaust system, especially at turns and joints. Exhaust system shall be inspected and cleaned at least once a year.

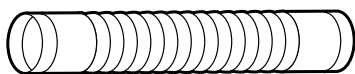
TOOLS AND MATERIALS YOU WILL NEED TO INSTALL EXHAUST DUCT



Duct tape or duct clamp



Vent hood



Rigid or UL-listed flexible metal 4" (10.2 cm) duct



Phillips-head screwdriver

EXHAUST SYSTEM CHECKLIST

HOOD OR WALL CAP

- Terminate in a manner to prevent back drafts or entry of birds or other wildlife.
- Termination should present minimal resistance to the exhaust airflow and should require little or no maintenance to prevent clogging.
- Never install a screen in or over the exhaust duct.
- Wall caps must be installed at least 12" above ground level or any other obstruction with the opening pointed down.

SEPARATION OF TURNS

- For best performance, separate all turns by at least 4 ft. of straight duct, including distance between last turn and dampened wall cap. For turns less than 4 ft. apart, see the Ducting Component Equivalency Chart.

SEALING OF JOINTS

- All joints should be tight to avoid leaks. The male end of each section of duct must point away from the dryer.
- Do not assemble the ductwork with fasteners that extend into the duct. They will serve as a collection point for lint.
- Duct joints should be made air- and moisture-tight by wrapping the overlapped joints with duct tape or aluminum tape.
- Horizontal runs should slope down towards outdoors 1/4" per foot.

INSULATION

- Ductwork that runs through an unheated area or is near air conditioning should be insulated to reduce condensation and lint buildup.

Installation Instructions

CONNECTING THE DRYER TO HOUSE VENT

RIGID METAL TRANSITION DUCT

- For best drying performance, a rigid metal transition duct is recommended.
- Rigid metal transition ducts reduce the risk of crushing and kinking.

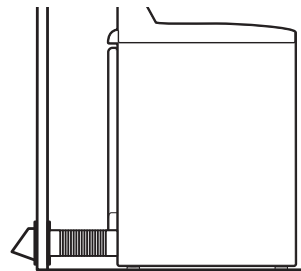
UL-LISTED FLEXIBLE METAL (SEMI-RIGID) TRANSITION DUCT

- If rigid metal duct cannot be used, then UL-listed flexible metal (semi-rigid) ducting can be used (Kit WX08X10077).
- Never install flexible metal duct in walls, ceilings, floors or other enclosed spaces.
- Total length of flexible metal duct should not exceed 8 feet (2.4 m).
- For many applications, installing elbows at both the dryer and the wall is highly recommended (see illustrations at right). Elbows allow the dryer to sit close to the wall without kinking and/or crushing the transition duct, maximizing drying performance.
- Avoid resting the duct on sharp objects.

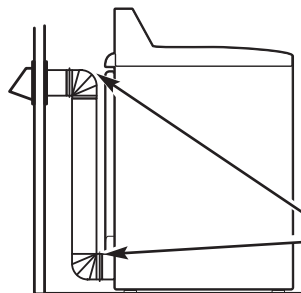
UL-LISTED FLEXIBLE METAL (FOIL-TYPE) TRANSITION DUCT

- In special installations, it may be necessary to connect the dryer to the house vent using a flexible metal (foil-type) duct. A UL-listed flexible metal (foil-type) duct may be used **ONLY** in installations where rigid metal or flexible metal (semi-rigid) ducting cannot be used **AND** where a 4" diameter can be maintained throughout the entire length of the transition duct.
- In Canada and the United States, only the flexible metal (foil-type) ducts that comply with the "Outline for Clothes Dryer Transition Duct, Subject 2158A" shall be used.
- Never install flexible metal duct in walls, ceilings, floors or other enclosed spaces.
- Total length of flexible metal duct should not exceed 8 feet (2.4 m).
- Avoid resting the duct on sharp objects.
- For best drying performance:
 1. Slide one end of the duct over the clothes dryer outlet pipe.
 2. Secure the duct with a clamp.
 3. With the dryer in its permanent position, extend the duct to its full length. Allow 2" of duct to overlap the exhaust pipe. Cut off and remove excess duct. Keep the duct as straight as possible for maximum airflow.
 4. Secure the duct to the exhaust pipe with the other clamp.

FOR TRANSITION VENTING (DRYER TO WALL), DO:



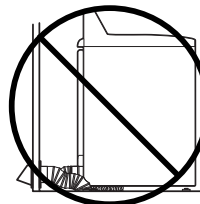
- **DO** cut duct as short as possible and install straight into wall.



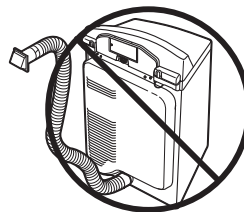
- **DO** use elbows when turns are necessary.

Elbows

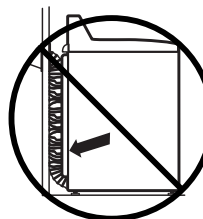
DO NOT:



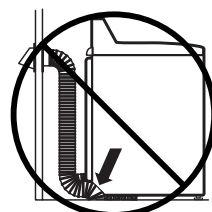
- **DO NOT** bend or collapse ducting. Use elbows if turns are necessary.



- **DO NOT** use excessive exhaust length. Cut duct as short as possible.



- **DO NOT** crush duct against the wall.



- **DO NOT** set dryer on duct.

Installation Instructions

EXHAUSTING THE DRYER (cont.)

⚠ WARNING

USE ONLY METAL 4" DUCT. DO NOT USE DUCT LONGER THAN SPECIFIED IN THE EXHAUST LENGTH TABLE.

Ducting longer than 150 equivalent feet will:

- Increase the drying times and the energy cost.
- Reduce the dryer life.
- Accumulate lint, creating a potential fire hazard.

The correct exhaust installation is your responsibility.



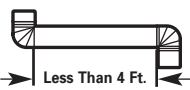

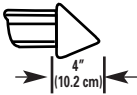
Problems due to incorrect installation are not covered by the warranty.

The length of the exhaust system depends upon the type of duct, number of turns and the type of exhaust hood (wall cap), and all conditions noted below.

For satisfactory air movement, the total duct length should not exceed **150** equivalent feet.

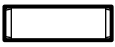


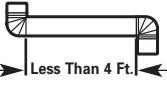
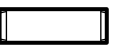
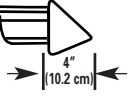

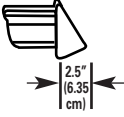
EXAMPLE ONLY

The following chart describes an example of one possible ductwork installation.

	DUCT PIECES		EQUIVALENT RIGID LENGTH	X	NUMBER USED	=	EQUIVALENT LENGTH
TRANSITION DUCTING (DRYER TO WALL)		Rigid Metal Ducting (Preferred)	1 Ft.	X	(4)	=	4 Ft.
INSIDE WALLS/CEILING (WALL TO WALL CAP)		Elbows (90°/45°)	10 Ft.	X	(3)	=	30 Ft.
		Turns Less Than 4 Ft.	2 Ft.	X	(1)	=	2 Ft.
		Rigid Ducting	1 Ft.	X	(5)	=	5 Ft.
WALL CAPS		4" Wall Cap	5 Ft.	X	(1)	=	5 Ft.
Total Ductwork Length						=	46 Ft.
TOTAL MUST BE LESS THAN OR EQUAL TO 150 FT.							

Installation Instructions

DUCTING COMPONENT EQUIVALENCY CHART

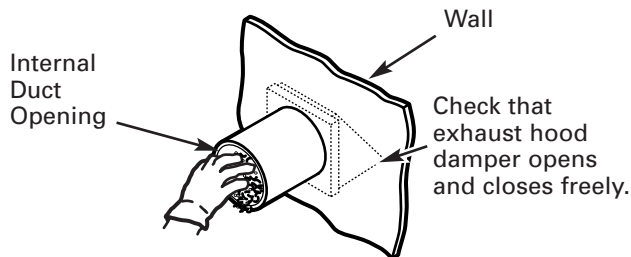
	DUCT PIECES	EQUIVALENT RIGID LENGTH	X	NUMBER USED	=	EQUIVALENT LENGTH
TRANSITION DUCTING (DRYER TO WALL)	 Rigid Metal Ducting (Preferred)	1 Ft.	X	()	=	Ft.
	 UL-Listed Semi-Rigid Metal Ducting (inside diameter does not change)	3 Ft.	X	()	=	Ft.
INSIDE WALLS/CEILING (WALL TO WALL CAP)	 Elbows (90°/45°)	10 Ft.	X	()	=	Ft.
	 Turns less Than 4 Ft. <small>Less Than 4 Ft.</small>	2 Ft.	X	()	=	Ft.
	 Rigid Metal Ducting	1 Ft.	X	()	=	Ft.
WALL CAPS	 4" Wall Cap <small>4" (10.2 cm)</small>	5 Ft.	X	()	=	Ft.
	 Louvered Wall Cap	10 Ft.	X	()	=	Ft.
	 2.5" Wall Cap <small>2.5" (6.35 cm)</small>	23 Ft.	X	()	=	Ft.
Total Ductwork Length					=	Ft.
TOTAL MUST BE LESS THAN OR EQUAL TO 150 FT.						

Installation Instructions

EXHAUSTING THE DRYER (cont.)

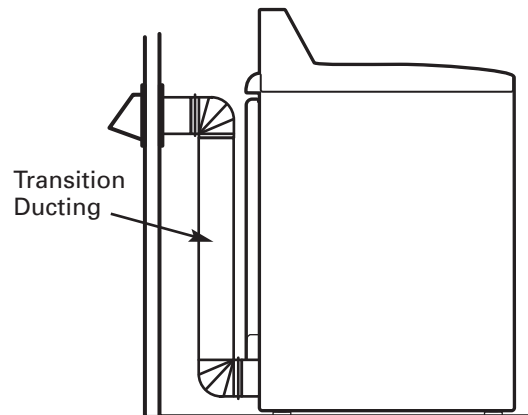
BEFORE YOU BEGIN

- Remove and discard existing plastic or metal foil duct and replace with UL-listed duct.
- Remove any lint from the wall exhaust opening.



RECOMMENDED CONFIGURATION TO MINIMIZE EXHAUST BLOCKAGE

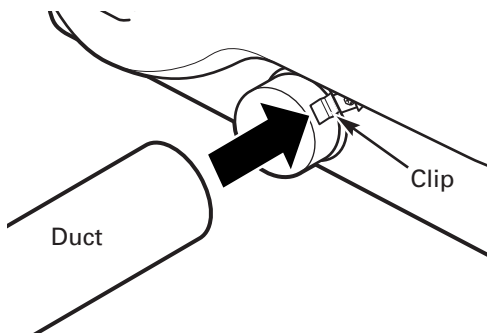
Using duct elbows will prevent duct kinking and collapsing.



STANDARD REAR EXHAUST

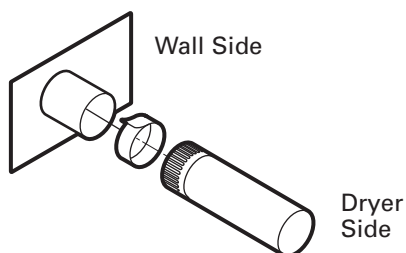
We recommend that you install your dryer before installing your washer. This will permit direct access for easier exhaust connection.

Slide the end of the exhaust duct underneath the clips on the back of the dryer and secure with duct tape or a hose clamp.



NOTE: We strongly recommend using rigid metal exhaust duct.

- For straight-line installation, connect the dryer exhaust to the wall using duct tape.



DRYER EXHAUST TO SIDE OR BOTTOM OF CABINET

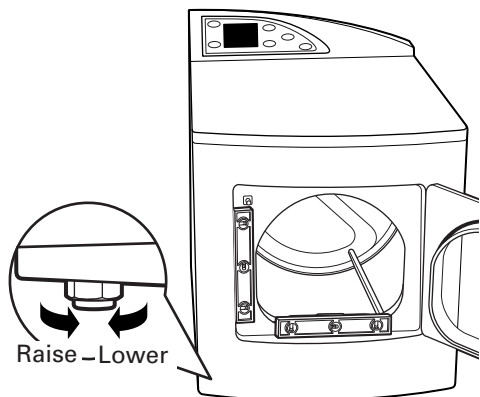
If you wish to exhaust your dryer to the side or bottom of the cabinet, order exhaust kit 14-A003, available from your GE supplier.

Installation Instructions

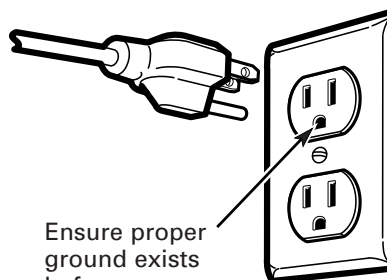
FINAL SETUP

1 LEVEL THE DRYER

Stand the dryer near the final location. Place a level against the side and bottom of the dryer door frame and use the four leveling legs to level your dryer.



3 PLUG DRYER IN

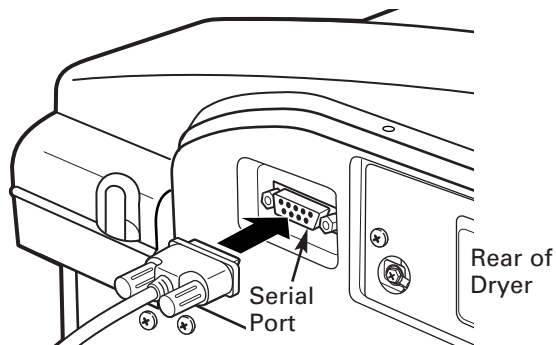


Ensure proper ground exists before use.

2 ATTACH SERIAL CABLE

Attach the serial cable for washer and dryer connection to the serial port on the back of the dryer.

Attach the other end of the cable to the washer before pushing the washer into its final position.

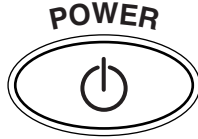


Installation Instructions

FINAL SETUP (cont.)

4 DRYER STARTUP

Press the POWER button.



NOTE: If the dryer has been exposed to temperatures below freezing for an extended period of time, allow it to warm up before pressing POWER. Otherwise, the display will not come on.

The dryer is now ready for use.

SERVICING

⚠ WARNING — Label all wires prior to disconnection when servicing controls. Wiring errors can cause improper and dangerous operation after servicing/installation.

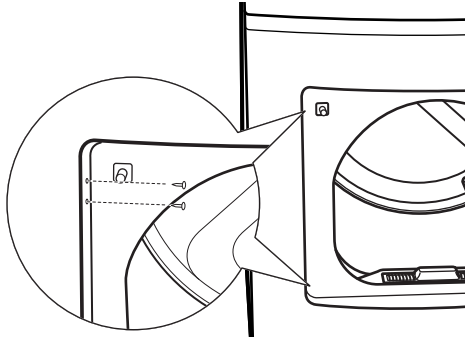
For replacement parts and other information, refer to the Owner's Manual for servicing phone numbers.

Installation Instructions

REVERSING THE DOOR SWING (if desired)

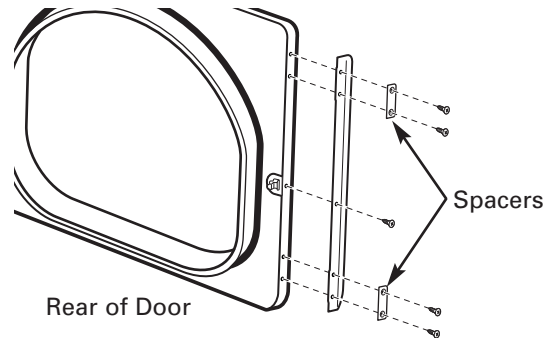
1 REMOVE FILLER PLUGS

Open the door and remove the filler plugs opposite the hinges.



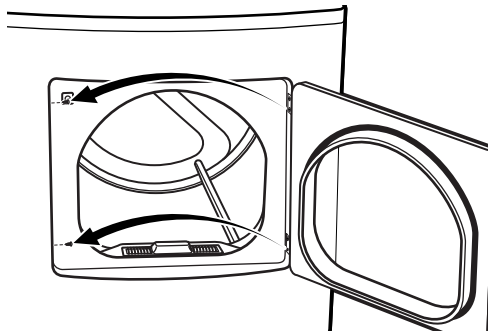
3 REMOVE HANDLE

Remove the screws holding the handle and two spacers.

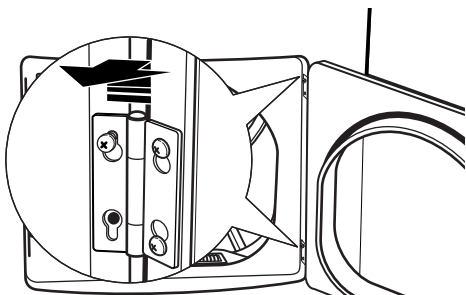


2 REMOVE DOOR

- With the door completely open, remove the **BOTTOM** screw from each hinge on the dryer face.
- Insert the screws about halfway into the **TOP** holes, for each hinge, on the opposite side (where you removed the filler plugs). Apply firm pressure to get the screw started in new holes.

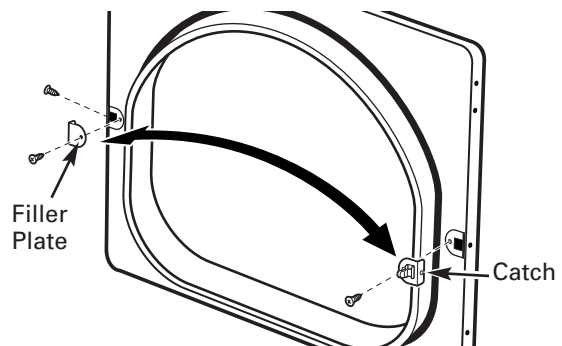


- Loosen the **TOP** screw from each hinge on the dryer face halfway. With one hand holding the top of the door and the other hand holding the bottom, remove the door from the dryer by lifting it **UP** and **OUT**.



4 REVERSE DOOR CATCH

Remove the door catch and filler plate. Install them on opposite sides of the door.

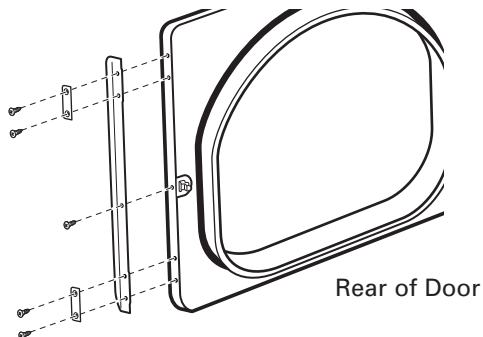


Installation Instructions

REVERSING THE DOOR SWING (cont.)

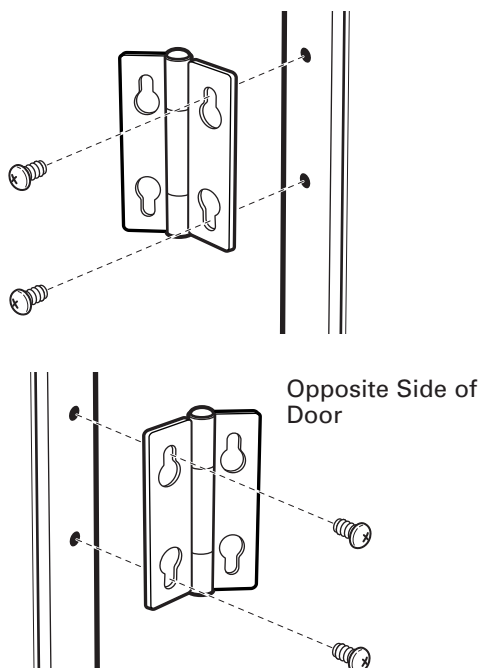
5 REVERSE HANDLE

Install the handle on the opposite side of the door.



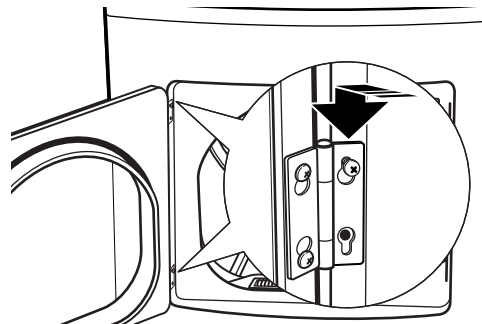
6 REMOVE HINGES AND REHANG DOOR

Remove the hinges from the door and install them on the opposite side with the hinge pin toward the outside of the door.

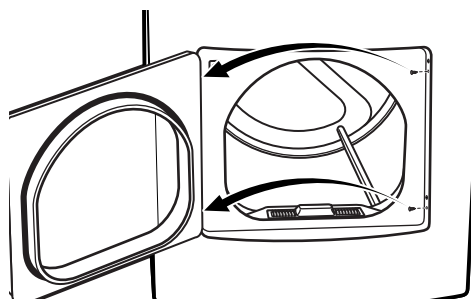


6 REMOVE HINGES AND REHANG DOOR (cont.)

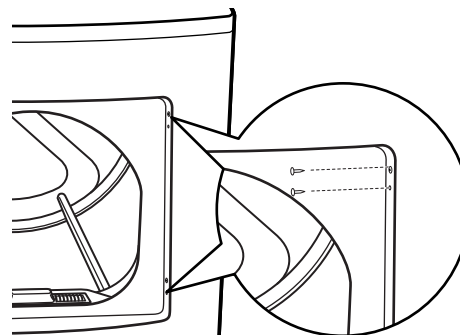
Insert the door on the opposite side of the opening by moving the door **IN** and **DOWN** until the top hinge and the bottom hinge are resting on the top screws inserted in Step 2.



Remove the remaining screws from the side of the opening from which the door was removed. With these screws, secure each hinge at the bottom.



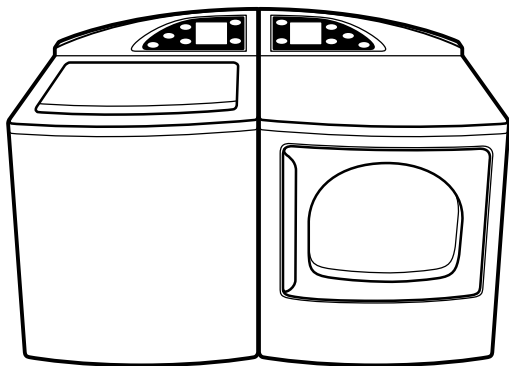
Tighten the two top screws of each hinge. Reinsert the plastic plugs on the side from which the door was removed.



Installation Instructions

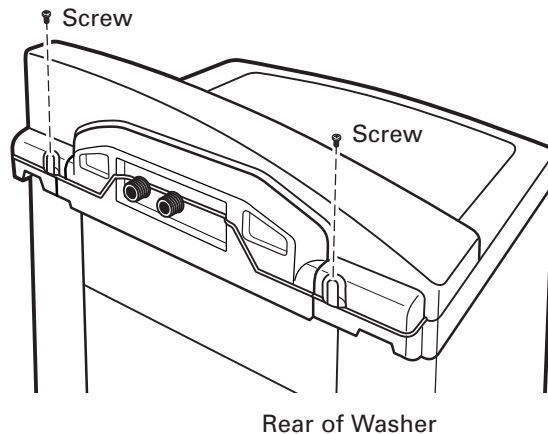
SWITCHING THE WASHER AND DRYER BACKSPLASHES (not required for most installations)

When viewed from the front, the washer is shipped for installation on the left and the dryer is shipped for installation on the right. If your hose utility connections are arranged so that the units must be installed with the washer on the right and the dryer on the left, you can switch the backsplashes of the washer and dryer in order to maintain the proper curved appearance.

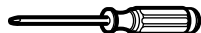


1 REMOVE WASHER BACKSPLASH

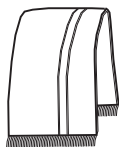
Place a towel over the lid of the washer to prevent scratches to the surface. Remove the two outer screws from the rear of the washer backsplash. Rotate backsplash forward and lift off.



TOOLS YOU WILL NEED



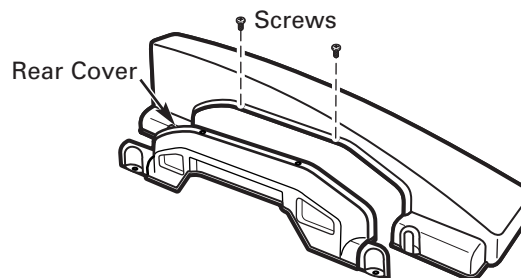
#2 Phillips screwdriver



Towel (2)

2 REMOVE BACKSPLASH REAR COVER

Remove the two screws holding the washer backsplash to the rear cover. Pull off the rear cover.



⚠ WARNING!

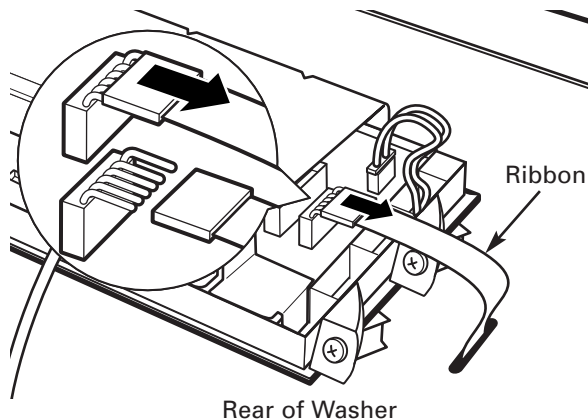
Make sure the washer and dryer are unplugged.

Installation Instructions

3 DISCONNECT WASHER CONTROL BOARD

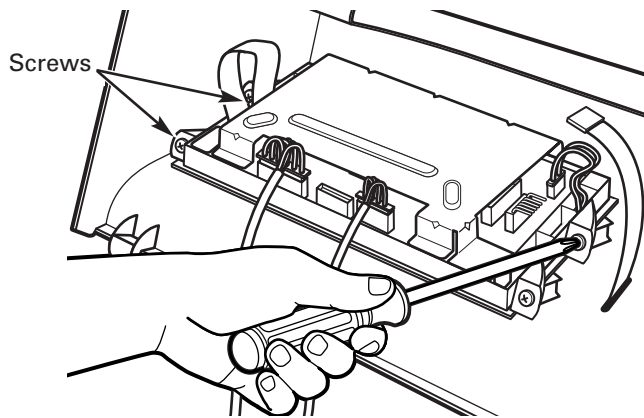
Disconnect the ribbon at the right of the control board by pulling the connector at the end of the ribbon off the metal pins on the control board.

NOTE: Do not disconnect any other wires from the control board.



4 REMOVE CONTROL BOARD FROM WASHER BACKSPLASH

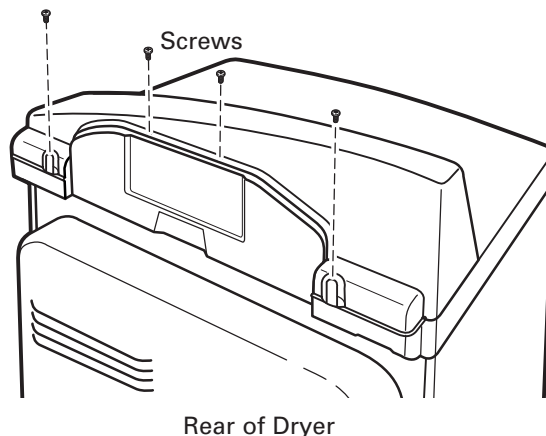
Remove the four screws holding the control board to the backsplash. Remove the control board and set it aside.



5 REMOVE DRYER BACKSPLASH

Place a towel over the top surface of the dryer to prevent scratches to the surface.

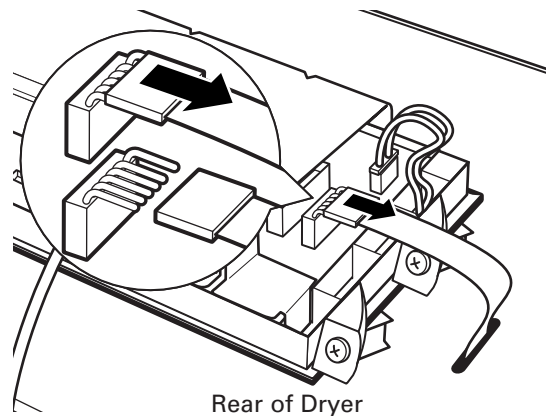
Remove the four screws from the rear of the dryer backsplash. Rotate backsplash forward and lift off.



6 DISCONNECT DRYER CONTROL BOARD

Disconnect the ribbon at the right of the control board by pulling the connector at the end of the ribbon off the metal pins on the control board.

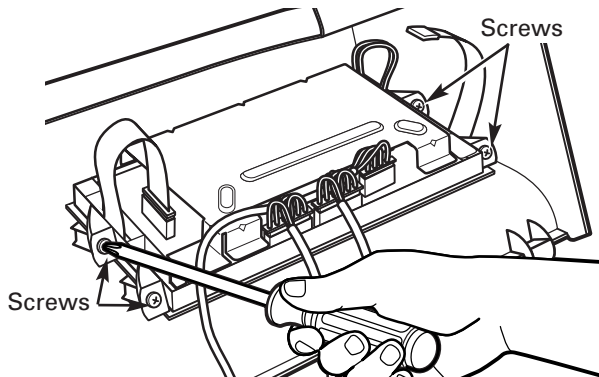
NOTE: Do not disconnect any other wires from the control board.



Installation Instructions

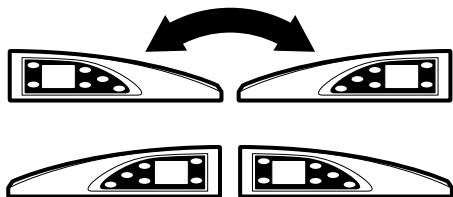
7 REMOVE CONTROL BOARD FROM DRYER BACKSPLASH

Remove the four screws holding the control board to the backsplash. Remove the control board and set it aside.



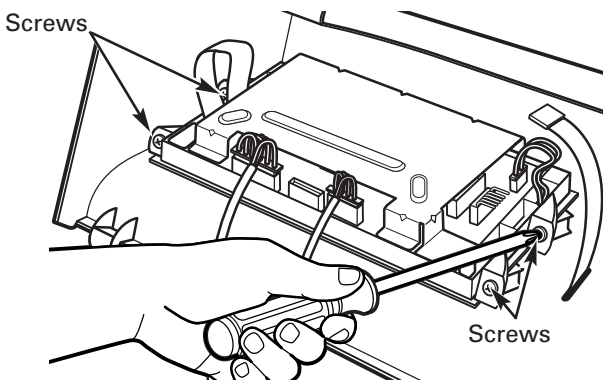
8 SWITCH BACKSPLASHES

Place the backsplash from the dryer on top of the washer and place the backsplash from the washer on top of the dryer.



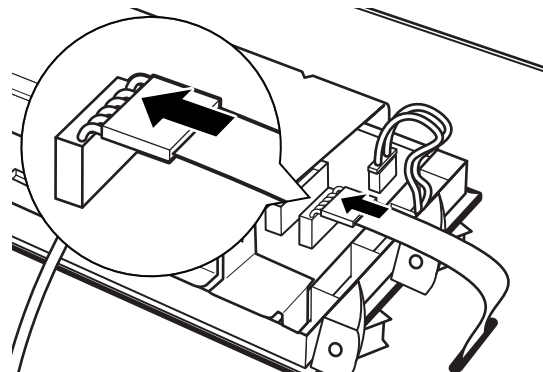
9 ATTACH DRYER CONTROL BOARD TO NEW BACKSPLASH

Attach the control board to the new backsplash by replacing the four screws removed from the control board earlier. The control board will now be on the opposite side of the dryer backsplash.

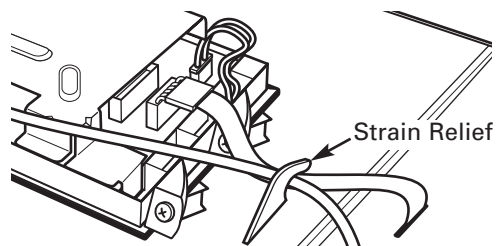


10 RECONNECT DRYER CONTROL BOARD

Connect the dryer control board to the new backsplash by sliding the ribbon connector on the new backsplash onto the metal pins on the control board and pushing in. Make sure the ribbon is not twisted before inserting the connector.

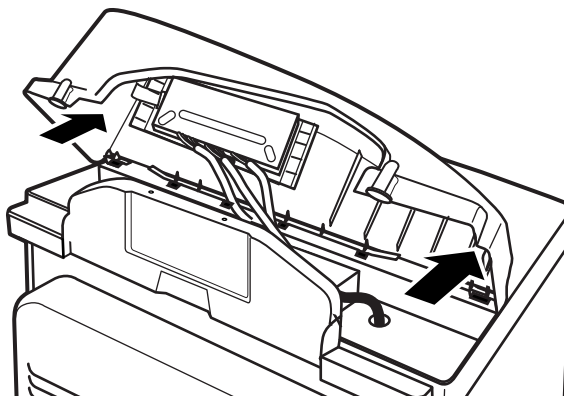


Place the ribbon and the wire from the rear cover under the strain relief on the new backsplash.



11 ATTACH DRYER BACKSPLASH

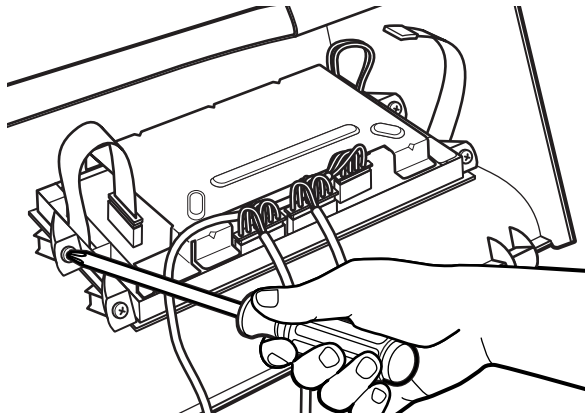
Insert the tabs on the bottom front of the backsplash into the slots on the dryer and rotate the backsplash into place. Secure the new backsplash to the dryer using the four screws removed earlier.



Installation Instructions

12 ATTACH WASHER CONTROL BOARD TO NEW BACKSPLASH

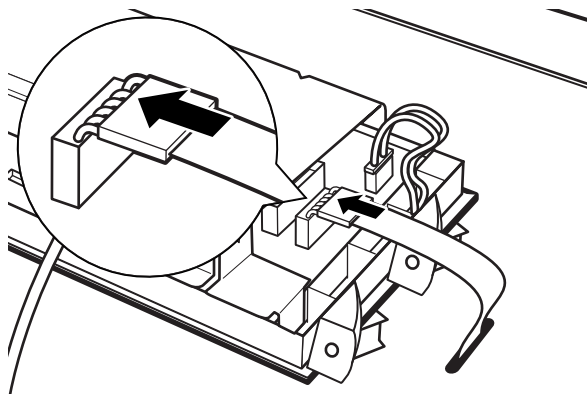
Replace the four screws removed from the control board earlier.



The control board will now be on the opposite side of the washer backsplash.

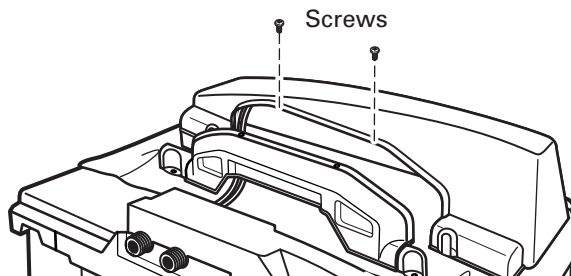
13 RECONNECT WASHER CONTROL BOARD

Connect the washer control board to the new backsplash by sliding the ribbon connector on the new backsplash onto the metal pins on the control board and pushing in. Make sure the ribbon is not twisted before inserting the connector.

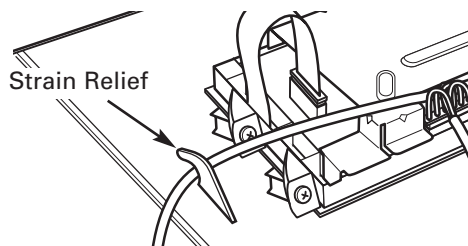


14 ATTACH WASHER BACKSPLASH

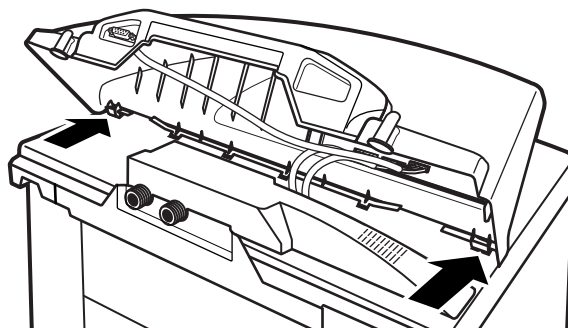
Using the two small screws removed earlier, screw the new washer backsplash onto the rear cover.



Place the gray wire from the serial port under the strain relief on the new backsplash.



Insert the tabs on the bottom front of the backsplash into the slots on the washer and rotate the backsplash into place. Press the rear of the backsplash down to make sure it fits properly.



Secure the new backsplash to the washer using the two long screws removed earlier.

15 RECONNECT POWER SUPPLY TO WASHER AND DRYER

- Plug the washer and dryer back in.
- Press the **POWER** buttons on both the washer and dryer to make sure both control boards are properly connected.

For a complete list of solutions to common dryer problems, use the Troubleshooting Tips feature located by pressing the HELP button while on the dryer Home Screen (see *Using the Troubleshooter*).

If your dryer will not operate, check the Problem Solver below:

Problem	Possible Cause	What To Do
<i>Dryer won't operate</i>	Control panel is asleep	<ul style="list-style-type: none"> This is normal. Press POWER, the touch screen or any button to activate the control panel.
	Dryer is unplugged	<ul style="list-style-type: none"> Make sure cord is plugged securely into a working outlet.
	Controls are not set properly	<ul style="list-style-type: none"> Make sure the cycle was set correctly, close the lid and press START.
	Fuse is blown/circuit breaker is tripped	<ul style="list-style-type: none"> Check house circuit breakers/fuses. Replace fuses or reset breaker. NOTE: Electric dryers use two fuses or breakers.
	Electronics need to be reset	<ul style="list-style-type: none"> Unplug dryer, wait 2 minutes, plug back in and press POWER.
	START was not pressed after a cycle was set	<ul style="list-style-type: none"> Press START.
	Door was opened during the dry cycle	<ul style="list-style-type: none"> Close the door and reset cycle, to the beginning if necessary. Press START.
	Dryer is too cold	<ul style="list-style-type: none"> If the dryer has been exposed to temperatures below freezing for an extended period of time, allow it to warm up before pressing POWER. Otherwise, the display will not come on.

Normal Operating Sounds

The following are normal sounds you may hear:

Sound	Description
<i>Thumping noise when drum rotates</i>	<ul style="list-style-type: none"> If the dryer has not been used for an extended period of time, you may hear a thumping noise from temporary flat spots on the drum support rollers. The noise will go away after use.

Dryer Warranty

GEAppliances.com

All warranty service provided by our Factory Service Centers or an authorized Customer Care® technician. To schedule service on-line, visit us at GEAppliances.com or call 800.GE.CARES (800.432.2737). Please have serial number and model number available when calling for service.

Staple your receipt here. Proof of the original purchase date is needed to obtain service under the warranty.

For The Period Of:	We Will Replace:
One Year <i>From the date of the original purchase</i>	<i>Any part</i> of the dryer which fails due to a defect in materials or workmanship. During this limited one-year warranty , GE will also provide, free of charge , all labor and related service costs to replace the defective part.
Second Year <i>From the date of the original purchase</i>	<i>Any part</i> of the dryer which fails due to a defect in materials or workmanship. During this additional one-year limited warranty , you will be responsible for any labor or related service costs.
Second through Fifth Year <i>From the date of the original purchase</i>	<i>The extra-large or super-capacity dryer drum and main electronic control board</i> if any of these parts should fail due to a defect in materials or workmanship. During this additional three-year limited warranty , you will be responsible for any labor or related service costs.

What Is Not Covered:

- Service trips to your home to teach you how to use the product.
- Improper installation, delivery or maintenance.
- Failure of the product if it is abused, misused, or used for other than the intended purpose or used commercially.
- Replacement of the light bulb after its expected useful life.
- Replacement of house fuses or resetting of circuit breakers.
- Damage to the product caused by accident, fire, floods or acts of God.
- Incidental or consequential damage caused by possible defects with this appliance.
- Damage caused after delivery.
- Product not accessible to provide required service.

EXCLUSION OF IMPLIED WARRANTIES—Your sole and exclusive remedy is product repair as provided in this Limited Warranty. Any implied warranties, including the implied warranties of merchantability or fitness for a particular purpose, are limited to one year or the shortest period allowed by law.

This warranty is extended to the original purchaser and any succeeding owner for products purchased for home use within the USA. If the product is located in an area where service by a GE Authorized Servicer is not available, you may be responsible for a trip charge or you may be required to bring the product to an Authorized GE Service location. In Alaska, the warranty excludes the cost of shipping or service calls to your home. Proof of the original purchase date is needed to obtain service under the warranty.

Some states do not allow the exclusion or limitation of incidental or consequential damages. This warranty gives you specific legal rights, and you may also have other rights which vary from state to state. To know what your legal rights are, consult your local or state consumer affairs office or your state's Attorney General.

Warrantor: General Electric Company. Louisville, KY 40225

GE Appliances Web Site

GEAppliances.com

Have a question or need assistance with your appliance? Try the GE Appliances Web site 24 hours a day, any day of the year! For greater convenience and faster service, you can now download Owner's Manuals, order parts or even schedule service on-line.

Schedule Service

GEAppliances.com

Expert GE repair service is only one step away from your door. Get on-line and schedule your service at your convenience any day of the year! Or call 800.GE.CARES (800.432.2737) during normal business hours.

Real Life Design Studio

GEAppliances.com

GE supports the Universal Design concept—products, services, and environments that can be used by people of all ages, sizes, and capabilities. We recognize the need to design for a wide range of physical and mental abilities and impairments. For details of GE's Universal Design applications, including kitchen design ideas for people with disabilities, check out our Web site today. For the hearing impaired, please call 800.TDD.GEAC (800.833.4322).

Extended Warranties

GEAppliances.com

Purchase a GE extended warranty and learn about special discounts that are available while your warranty is still in effect. You can purchase it on-line anytime or call 800.626.2224 during normal business hours. GE Consumer Home Services will still be there after your warranty expires.

Parts and Accessories

GEAppliances.com

Individuals qualified to service their own appliances can have parts or accessories sent directly to their homes (VISA, MasterCard, and Discover cards are accepted). Order on-line today, 24 hours every day, or by phone at 800.626.2002 during normal business hours.

Instructions contained in this manual cover procedures to be performed by any user. Other servicing generally should be referred to qualified service personnel. Caution must be exercised, since improper servicing may cause unsafe operation.

Contact Us

GEAppliances.com

If you are not satisfied with the service you receive from GE, contact us on our Web site with all the details, including your phone number, or write to: General Manager, Customer Relations
GE Appliances, Appliance Park
Louisville, KY 40225

Register Your Appliance

GEAppliances.com

Register your new appliance on-line—at your convenience! Timely product registration will allow for enhanced communication and prompt service under the terms of your warranty, should the need arise. You may also mail in the preprinted registration card included in the packing material.

Registre su nuevo electrodoméstico en internet—a su conveniencia. El registro oportuno le permitirá una mejor comunicación y un servicio más eficiente bajo los términos de su garantía, si se presentara la necesidad. Usted también puede enviar por correo la tarjeta de registro pre-impresa incluida con este manual.

Registre su electrodoméstico

GEAppliances.com

Si usted no está satisfecho con el servicio que usted reciba de GE, póngase en contacto con nuestra página Web con todos los detalles, incluyendo su número telefónico, o escribanos a: General Manager, Customer Relations GE Appliances, Appliance Park Louisville, KY 40225

Póngase en contacto con nosotros

GEAppliances.com

Las instrucciones contenidas en este manual cubren los procedimientos que cualquier usuario pueda llevar a cabo. Otros servicios deberían dejarse en manos de personal de servicio calificado. Se debe tener cuidado, ya que el servicio técnico inapropiado podría causar un accidente.

Podemos enviar repuestos y accesorios a aquellos individuos calificados para darle servicio a sus propios electrodomésticos directamente a su casa (se aceptan VISA, MasterCard y Discover). Ordene hoy mismo en internet, las 24 horas del día, o por teléfono al 800.626.2002 durante las horas de servicio regular.

Repuestos y accesorios

GEAppliances.com

Compre una garantía extendida de GE y entérese de los descuentos que están disponibles mientras su garantía todavía está en efecto. Usted puede compararla en internet o llamando al 800.626.2224 durante las horas de servicio regular. El departamento de Servicios residenciales del consumidor de GE estará ahí después de que su garantía se venza.

Garantías extendidas

GEAppliances.com

GE apoya el concepto Universal Design—productos, servicios y ambientes que personas de todas las edades, tamaños y habilidades pueden usar. Nosotros reconocemos la necesidad de diseñar productos para cumplir con un amplio rango de necesidades físicas y mentales. Para detalles de las aplicaciones de Universal Design de GE, incluyendo ideas para el diseño de cocinas para personas minusválidas, visite nuestra página Web hoy mismo. Las personas sordas pueden llamar al 800.TDD.GEAC (800.833.4322).

Estudio de diseño Real Life

GEAppliances.com

Los expertos de servicio de reparación de GE están a un paso de su puerta. Entre a nuestra página y programe su visita de servicio a su conveniencia cualquier día del año. O llame al 800.GE.CARES (800.432.2737) durante las horas de servicio regular.

Para planificar servicio

GEAppliances.com

¿Tiene alguna pregunta o necesita asistencia con su electrodoméstico? Visite la página de GE Appliances las 24 horas del día, cualquier día del año! Para un servicio conveniente más rápido, usted puede bajar de la página de internet los Manuales del propietario, ordenar partes, o hasta programar vistas de servicio en internet.

Página Web de GE Appliances

GEAppliances.com

Todo el servicio de garantía es proporcionado por los Centros de servicio de servicio de factoría o por un Técnico de Servicio (Care®) autorizado. Para planificar servicio en internet, visite nos a GEAppliances.com o llame a 800.GE.CARES (800.432.2737). Cuando llame para solicitar servicio, por favor tenga a mano el número de serie y el número de modelo.

Engage su recibo aquí. Se necesita un comprobante de fecha de compra para obtener servicio bajo la garantía.

Por el periodo de:	Nosotros reemplazaremos:
Un año De la fecha de la compra original	Cualquier parte de la secadora que falle debido a defectos en los materiales o en la fabricación. Durante esta garantía limitada de un año, GE también proporcionará, sin costo alguno, toda la mano de obra y servicios relacionados con el reemplazo de las partes defectuosas.
Segundo año De la fecha de la compra original	Cualquier parte de la secadora que falle debido a defectos en los materiales o en la fabricación. Durante este plazo adicional de garantía limitada, usted será responsable de cualquier gasto de mano de obra o costos relacionados con el servicio.
Del segundo al quinto año De la fecha de la compra original	El tambor giratorio extra grande o el tambor de la secadora de super capacidad y el tablero de control principal electrónico, si alguna de estas partes llegaran a fallar debido a defectos en los materiales o en la fabricación. Durante estos tres años adicionales de garantía limitada, usted será responsable de cualquier gasto de mano de obra o costos relacionados con el servicio.

Lo que no está cubierto:

- Viajes del personal de servicio a su casa para enseñarle cómo usar su producto.
- Instalación, entrega o mantenimiento inapropiada.
- Fallas del producto si es maltratado, mal usado, o usado para un propósito diferente del que se creó o si es usado para usos comerciales.
- Reemplazo de la bombilla después de que sobrepase su vida útil.
- Cambio de los fusibles de su casa o reajuste del circuito de interruptores.
- Daños al producto causados por accidentes, incendios, inundaciones o actos de la naturaleza.
- Daños imprevisibles resultantes causados por posibles defectos con este electrodoméstico.
- Daños causados después del envío.
- Producto no accesible para facilitar el servicio requerido.

EXCLUSIÓN DE GARANTÍAS IMPLÍCITAS—Su único y exclusivo derecho es la reparación del producto, tal y como se indica en esta Garantía limitada. Cualquier garantía implícita, incluyendo las garantías implícitas de comerciabilidad o adecuación para un fin determinado, están limitadas a un año o el periodo de tiempo más breve permitido por la ley.

Esta garantía se extiende al comprador original y a cualquier propietario subsecuente para productos comprados para uso doméstico dentro Estados Unidos. Si el producto está situado en un área que no dispone de servicio por parte de un proveedor de servicio autorizado de GE, podría tener que hacerse cargo de los costes de envío o bien podría solicitarse que lleve el producto a una centro de servicio de GE autorizado para realizar la reparación. En Alaska, la garantía excluye el costo de envío o las visitas de servicio a su casa.

Algunos estados no permiten la exclusión o limitación de daños imprevisibles. Esta garantía le da sus derechos legales específicos, y es posible que usted tenga otros derechos legales que varían de estado a estado. Para informarse de cuales son sus derechos legales, consulte a su oficina de asuntos del consumidor local o estatal o pongase en contacto con la Oficina de su Procurador General.

Para una lista completa de soluciones a problemas comunes de la secadora, use la función de Solucionador de problemas que encontrará si presiona el botón HELP (AYUDA) en la pantalla inicial de la secadora (Ver Solucionador de problemas).
Si la secadora no funciona, consulte la tabla que se encuentra a continuación:

Problema	Posible causa	Qué hacer
----------	---------------	-----------

<i>La secadora no funciona</i>	El tablero de control está apagado	<ul style="list-style-type: none"> • Esto es normal. Presione POWER (ENCENDER), la pantalla de tacto o cualquier otro botón para activar el tablero de control.
--------------------------------	------------------------------------	---

La secadora está desconectada	<ul style="list-style-type: none"> • Asegúrese de que el cable eléctrico está bien conectado en un tomacorriente que funcione.
-------------------------------	---

Los ajustes no son los apropiados	<ul style="list-style-type: none"> • Asegúrese de que el ciclo fue seleccionado correctamente, cierre la puerta y presione START (ARRANQUE).
-----------------------------------	--

El fusible está dañado / se disparó el circuito de interruptores	<ul style="list-style-type: none"> • Inspeccione el circuito de fusibles / interruptores de la casa. Cambie los fusibles o reajuste los interruptores. NOTA: Las secadoras eléctricas usan dos fusibles o interruptores.
--	--

Los circuitos electrónicos necesitan reajustarse (reset)	<ul style="list-style-type: none"> • Desconecte la secadora del tomacorriente, espere 2 minutos, conéctela otra vez y presione POWER (ENCENDER).
--	--

START (ARRANQUE) no se presionó después de que el ciclo fue seleccionado	<ul style="list-style-type: none"> • Presione START (ARRANQUE).
---	---

La puerta fue abierta durante el ciclo de secado	<ul style="list-style-type: none"> • Cierre la puerta y reajuste el ciclo, desde el inicio si es necesario. Presione START (ARRANQUE).
--	--

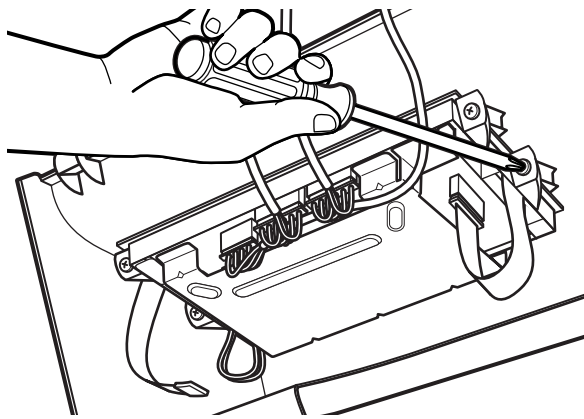
La secadora está demasiado fría	<ul style="list-style-type: none"> • Si la secadora se ha expuesto a temperaturas por debajo del punto de congelación por períodos extensos de tiempo, permita que se caliente antes de presionar POWER (ENCENDER). De no ser así, la pantalla no se activará.
---------------------------------	--

Los siguientes son sonidos normales que usted podría escuchar:

Sonido	Descripción
<i>Sonidos de golpe cuando gira el tambor</i>	<ul style="list-style-type: none"> • Si la secadora no se ha usado por un período extendido de tiempo, es posible que usted escuche golpes temporales en los rodillos de apoyo del tambor giratorio. Este sonido desaparecerá después del uso.

12 COLOQUE LA TARJETA DE CONTROL DE LA LAVADORA AL TABLERO NUEVO

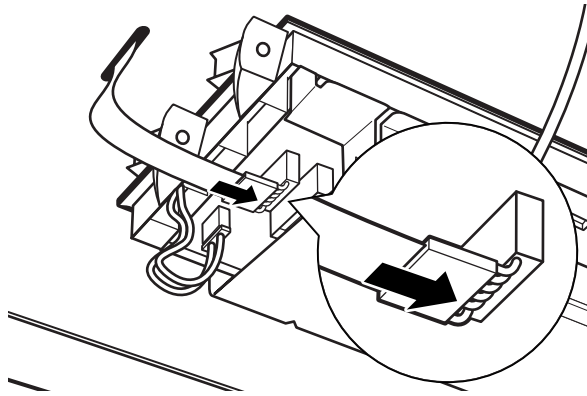
Reemplace los cuatro tornillos removidos de la tarjeta de control en un paso anterior.



La tarjeta de control ahora estará en el lado opuesto del tablero de la lavadora.

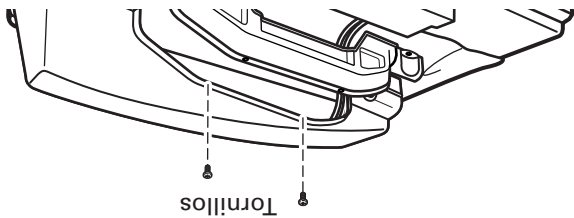
13 RECONECTE LA TARJETA DE CONTROL DE LA LAVADORA

Conecte la tarjeta de control de la secadora al tablero nuevo deslizando el conector de la cinta en el tablero nuevo y empuje hacia adentro. Asegúrese de que la cinta no esté doblada antes de insertar el conector.

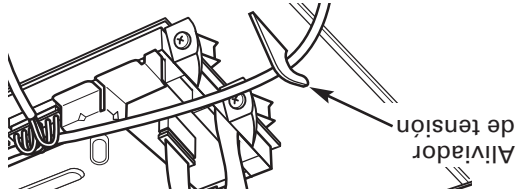


14 COLOQUE EL TABLERO EN LA LAVADORA

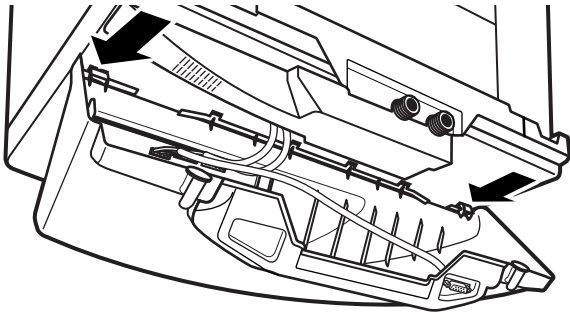
Usando los dos tornillos pequeños que removió antes, atornille el tablero nuevo de la lavadora.



Coloque el cable gris del puerto serial debajo del alivador de tensión en el tablero nuevo.



Inserte las orejillas del fondo frontal del tablero en las ranuras de la lavadora y rote el tablero en su lugar. Presione la parte posterior del tablero hacia abajo para asegurarse de que ajuste apropiadamente.

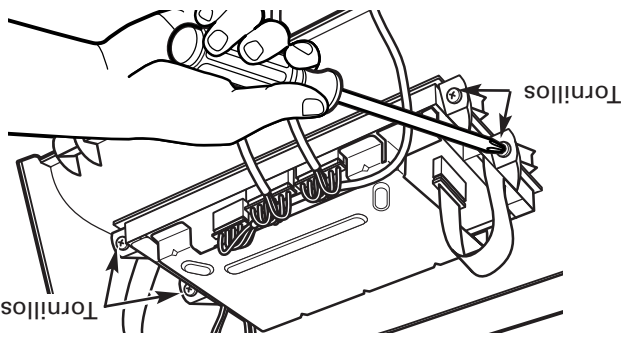


Asegure el tablero nuevo a la lavadora usando los dos tornillos largos removidos en un paso anterior.

15 RECONECTE EL SUMINISTRO ELÉCTRICO A LA LAVADORA Y A LA SECADORA

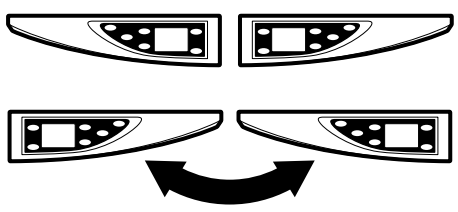
- Conecte la lavadora y la secadora otra vez. Presione los botones **POWER (ENCENDER)** en la secadora y en la lavadora para asegurar que las tarjetas de control están conectados apropiadamente.

7 REMUEVA LA TARJETA DE CONTROL DEL TABLERO DE LA SECADORA



Remueva los cuatro tornillos que sostienen la tarjeta de control. Remueva la tarjeta de control y póngala a un lado.

8 CAMBIE LOS TABLEROS



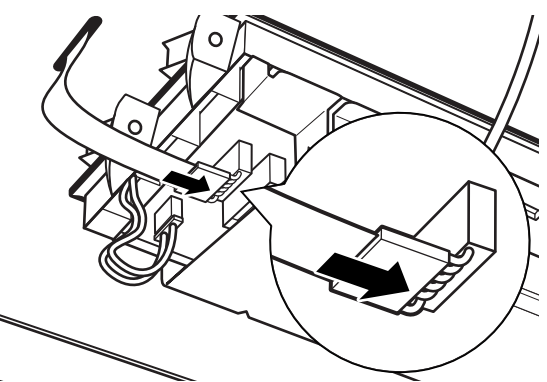
Coloque el tablero de la secadora sobre la lavadora y coloque el tablero de la lavadora sobre la secadora para darle la apariencia de curva.

9 COLOQUE LA TARJETA DE CONTROL DE LA SECADORA EN EL TABLERO NUEVO



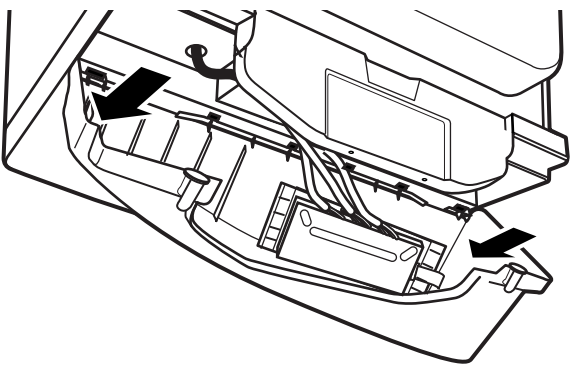
Coloque la tarjeta de control en el tablero nuevo colocando los cuatro tornillos removidos de la tarjeta de control del paso anterior. La tarjeta de control ahora estará en el lado opuesto del tablero de la secadora.

10 RECONECTE LA TARJETA DE CONTROL DE LA SECADORA



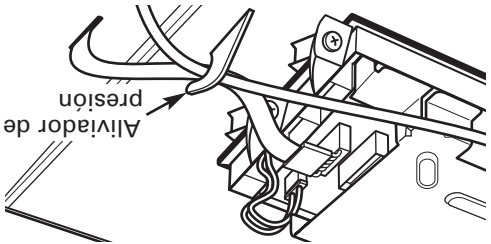
Conecte la tarjeta de control de la secadora al tablero nuevo deslizando el conector de la cinta en el tablero nuevo y empuje hacia adentro. Asegúrese de que la cinta no esté doblada antes de insertar el conector.

11 COLOQUE EL TABLERO DE LA SECADORA



Inserte las orejillas del fondo frontal del tablero en las ranuras de la secadora y rote el tablero en su lugar. Asegure el tablero nuevo en la secadora usando los cuatro tornillos removidos en un paso anterior.

Alivador de presión



Coloque la cinta y el cable desde el tablero debajo del alivador de presión en el tablero nuevo.

3 DESCONECTE LA TARJETA DE CONTROL DE LA LAVADORA

Desconecte la cinta en el lado derecho de la tarjeta de control halando del conector en el extremo de la cinta.

NOTA: No desconecte ningún otro cable de la tarjeta de control.



Parte posterior de la lavadora

Cinta

4 REMUEVA LA TARJETA DE CONTROL DEL TABLERO DE LA LAVADORA

Remueva los cuatro tornillos que sostienen la tarjeta de control. Remueva la tarjeta de control y póngala a un lado.

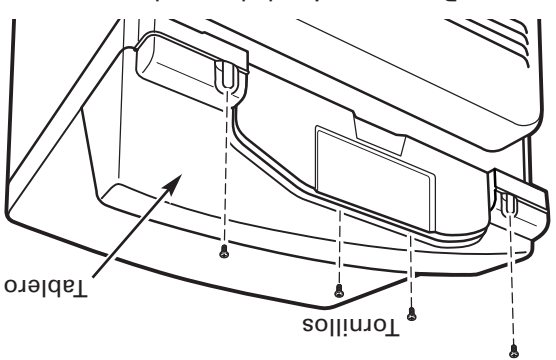


Tornillos

5 REMUEVA EL TABLERO DE LA SECADORA

Coloque una toalla encima de la parte superior de la superficie de la secadora para evitar que se raye la superficie.

Remueva los cuatro tornillos de la parte posterior del tablero. Rote el tablero hacia adelante y levántelo.



Tablero

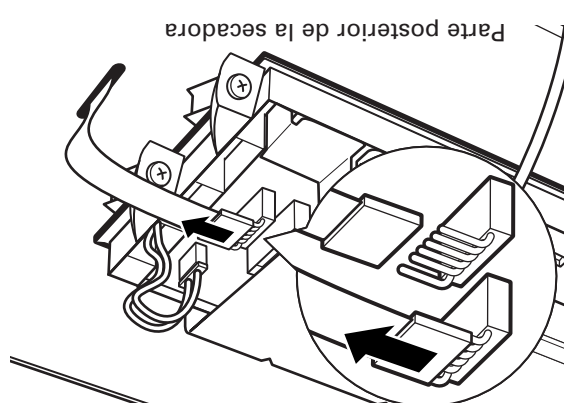
Tornillos

Parte posterior de la secadora

6 DESCONECTE LA TARJETA DE CONTROL DE LA SECADORA

Desconecte la cinta en el lado derecho de la tarjeta de control halando del conector en el extremo de la cinta.

NOTA: No desconecte ningún otro cable de la tarjeta de control.



Parte posterior de la secadora

CÓMO INTERCAMBIAR LOS TABLEROS DE LA LAVADORA Y LA SECADORA (No se requiere para la mayoría de las instalaciones)

La lavadora es enviada para instalarse a la izquierda y la secadora para instalarse a la derecha. Si las conexiones de los servicios (agua y electricidad) de su casa están arregladas de forma tal que las unidades deben instalarse con la lavadora a la derecha y la secadora a la izquierda, usted puede cambiar los tableros de la lavadora y la secadora para mantener la apariencia de curva apropiada (como se ve en el diagrama).

HERRAMIENTAS QUE USTED NECESITARA

- Un destornillador de estrella #2
- Toalla (2)

!ADVERTENCIA!
Asegúrese de que la lavadora y la secadora están desconectadas.

1 REMUEVA EL TABLERO DE LA LAVADORA

Coloque una toalla encima de la tapa de la lavadora para evitar que se raye la superficie.
Remueva los dos tornillos externos de la parte posterior del tablero de la lavadora. Rote el tablero hacia adelante y levántelo.

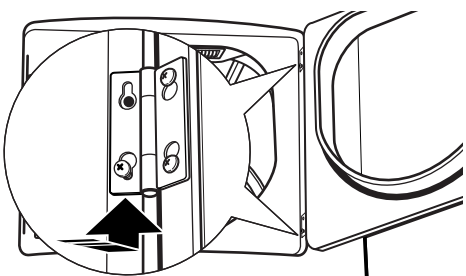
2 REMUEVA LA TAPA POSTERIOR DEL TABLERO

Remueva los dos tornillos que sostienen el tablero de la lavadora a la tapa posterior. Desconecte el tablero.

CÓMO CAMBIAR EL SENTIDO DE APERTURA DE LA PUERTA (Cont.)

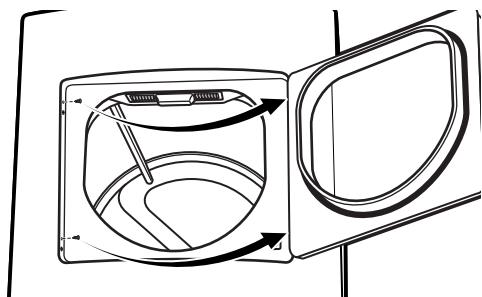
6 REMUEVA LAS BISAGRAS Y PONGA DE NUEVO LA PUERTA (Cont.)

Inserte la puerta en el lado opuesto de la apertura poniendo la puerta hacia **ADENTRO** y hacia **ABAJO** hasta que la bisagra superior y la inferior estén sobre los tornillos superiores insertados en el Paso 2.

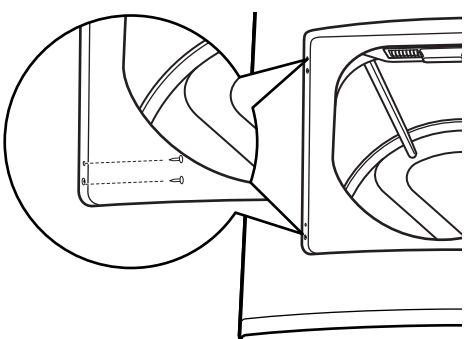


6 REMUEVA LAS BISAGRAS Y PONGA DE NUEVO LA PUERTA

Remueva los tornillos restantes del lado de la apertura del que la puerta se removió. Con estos tornillos, asegure las bisagras.

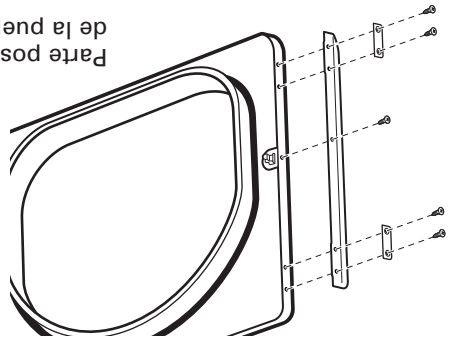


Apriete los dos tornillos superiores de cada bisagra. Reinserte los tapones en el lado de donde la puerta se removió.



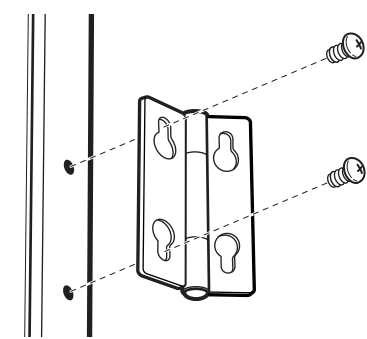
5 VOLTÉE LA MANIJA

Instale la manija en el lado opuesto de la puerta.



6 REMUEVA LAS BISAGRAS Y PONGA DE NUEVO LA PUERTA

Remueva las bisagras de la puerta e instélas en el lado opuesto con el eje de la bisagra hacia el lado externo de la puerta.



Lado opuesto de la puerta

CÓMO CAMBIAR EL SENTIDO DE APERTURA DE LA PUERTA (si lo desea)

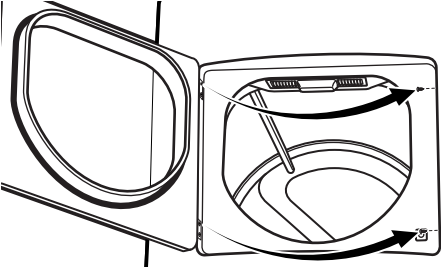
1 REMUEVA LOS TAPONES DE LA SECADORA



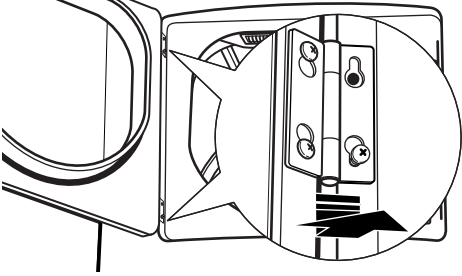
Abra la puerta y remueva los tapones del lado opuesto a las bisagras.

2 REMUEVA LA PUERTA

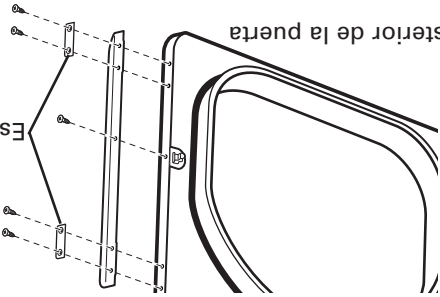
- Con la puerta completamente abierta, remueva el tornillo inferior de cada bisagra en la cara de la secadora.
- Inserte los tornillos hasta la mitad en los agujeros SUPERIORES, para cada bisagra, en el lado opuesto (de donde usted removió los tapones). Aplique presión firme para que los tornillos abran el agujero donde se introducirán.



- Afloje hasta la mitad el tornillo SUPERIOR de cada bisagra de la cara de la secadora. Con una mano sosteniendo la parte superior de la puerta y con la otra mano sosteniendo la parte inferior, remueva la puerta de la secadora levantándola y halándola.



3 REMUEVA LA MANIJA

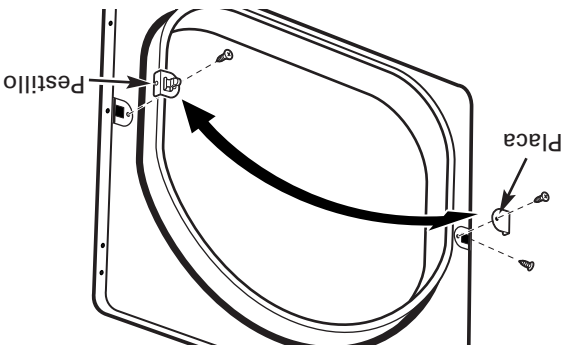


Remueva los tornillos que sostienen la manija y los espaciadores.

Parte posterior de la puerta

Espaciadores

4 CAMBIE EL PESTILLO DE LA PUERTA



Remueva el pestillo de la puerta y la placa. Instálelos en los lados opuestos de la puerta.

Placa

Pestillo

AJUSTES FINALES (Cont.)

4 ENCENDIDO DE LA SECADORA

Presione el botón POWER (ENCENDER).



NOTA: Si la secadora se ha expuesto a temperaturas por debajo del punto de congelación por un período de tiempo extenso, permita que se caliente antes de presionar POWER. Si no lo hace, la pantalla no se encenderá.
La secadora ahora está lista para usar.

SERVICIO

⚠ ADVERTENCIA – Etiqueta

todos los cables antes de desconectar la secadora cuando se disponga a darle servicio a los controles. Los errores de cableado podrían causar un mal funcionamiento y ser peligrosos después de la instalación / servicio.
Para partes de repuesto y más información, busque en el Manual del propietario los números a los que debe llamar para solicitar servicio.

AJUSTES FINALES

1 NIVELE LA SECADORA

Ponga la secadora cerca del lugar donde la va a instalar. Coloque un nivelador a un lado y sobre el marco de la puerta de la secadora y use las cuatro patas niveladoras para nivelar su secadora.

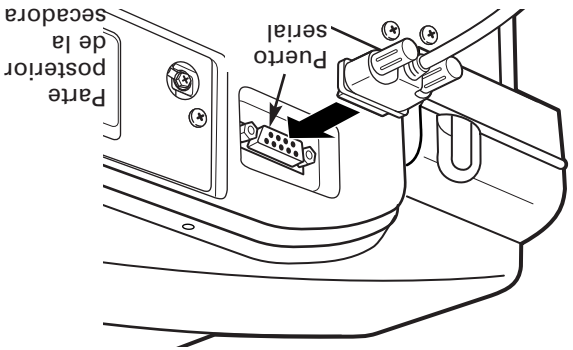


Nivelador
Levantar_Bajar
PATA NIVELADORA

2 CONECTE EL CABLE SERIAL

Conecte el cable serial para la conexión de la lavadora y la secadora al puerto serial en la parte posterior de la secadora.

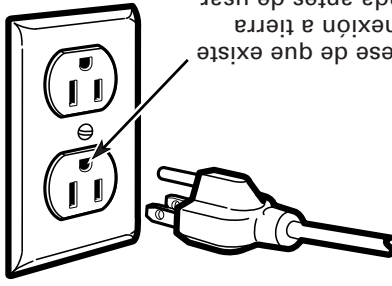
Conecte el otro extremo del cable a la lavadora antes de empujar la secadora hacia el lugar donde la va a instalar.



Puerto serial
Parte posterior de la secadora

3 CONECTE LA SECADORA

Asegúrese de que existe una conexión a tierra apropiada antes de usar.

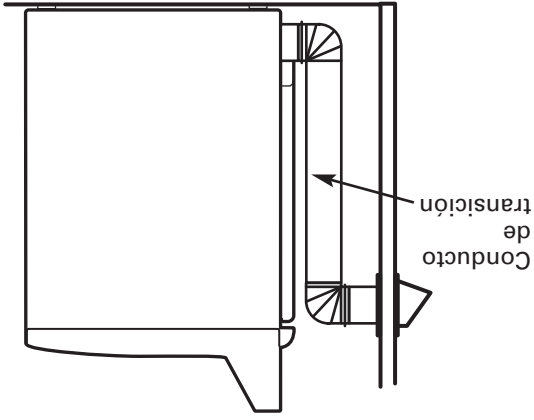


Asegúrese de que existe una conexión a tierra apropiada antes de usar.

CÓMO INSTALAR EL ESCAPE DE LA SECADORA (Cont.)

CONFIGURACIÓN RECOMENDADA PARA MINIMIZAR EL BLOQUEO DEL ESCAPE

Use codos para evitar que los conductos se plieguen y/o colapsen.

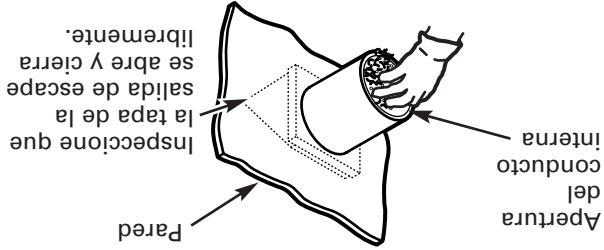


ESCAPE HACIA UN LADO O POR DEBAJO DE LA SECADORA

Si usted desea que su secadora tenga el escape hacia uno de los lados o por debajo de la secadora, ordene el kit de escape 14-A003, disponible en su abastecedor GE.

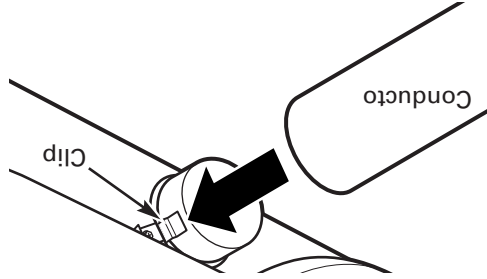
ANTES DE COMENZAR

- Quite y descarte el conducto existente de plástico o de papel de aluminio y coloque un conducto aprobado por UL.
- Quite las pelusas de la abertura de salida de la pared.



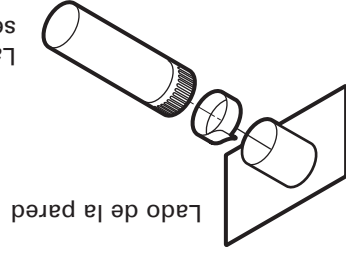
ESCAPE POSTERIOR ESTÁNDAR

Recomendamos que usted instale su secadora antes de instalar su lavadora. Esto permitirá el acceso directo para que la conexión del escape le sea más fácil. Deslice el extremo del conducto de escape por debajo de los clips en la parte posterior de la secadora y asegúrelo con cinta de conductos o con una abrazadera.



NOTA: Recomendamos fuertemente el uso de conductos de escape metálicos rígidos.

- Para una instalación de línea recta, conecte el conducto de la secadora a la pared usando cinta de conductos.



Instrucciones de instalación

TABLA DE EQUIVALENCIA DE LOS COMPONENTES DE LOS CONDUCTOS

COMPONENTES DE LOS CONDUCTOS	LONGITUD RÍGIDA EQUIVALENTE	X	NÚMERO USADO	=	LONGITUD EQUIVALENTE
Conducto de metal rígido (recomendado)	1 pie	X	()	=	pies
Conducto de metal semi-rígido listado de UL (el diámetro interno no cambia)	3 pies	X	()	=	pies
Codos (90°/45°)	10 pies	X	()	=	pies
Curvas menos de 4 pies	2 pies	X	()	=	pies
Conducto metálico rígido	1 pie	X	()	=	pies
TAPAS DE LA PARED					
Tapa de la pared de 2.5"	23 pies	X	()	=	pies
Tapa de la pared apersianada	10 pies	X	()	=	pies
Tapa de la pared de 4"	5 pies	X	()	=	pies
PAREDES INTERNAS / TECHOS (PARED A LA TAPA DE LA PARED)					
Conducto metálico rígido	1 pie	X	()	=	pies
Curvas menos de 4 pies	2 pies	X	()	=	pies
Codos (90°/45°)	10 pies	X	()	=	pies
Conducto de metal rígido (recomendado)	1 pie	X	()	=	pies
Conducto de metal semi-rígido listado de UL (el diámetro interno no cambia)	3 pies	X	()	=	pies
CONDUCTO DE TRANSICIÓN (DE LA SECADORA A LA PARED)					
Conducto de metal rígido (recomendado)	1 pie	X	()	=	pies
Conducto de metal semi-rígido listado de UL (el diámetro interno no cambia)	3 pies	X	()	=	pies
Codos (90°/45°)	10 pies	X	()	=	pies
Curvas menos de 4 pies	2 pies	X	()	=	pies
Conducto metálico rígido	1 pie	X	()	=	pies
Tapa de la pared de 4"	5 pies	X	()	=	pies
Tapa de la pared apersianada	10 pies	X	()	=	pies
Tapa de la pared de 2.5"	23 pies	X	()	=	pies
Longitud total de los conductos = EL TOTAL DEBE SER MENOR O IGUAL A 150 PIES					

CÓMO INSTALAR EL ESCAPE DE LA SECADORA (Cont.)

⚠ ADVERTENCIA

SOLAMENTE USE CONDUCTOS METÁLICOS DE 4". NO USE UN CONDUCTO MÁS LARGO DE LO ESPECIFICADO EN LA TABLA DE EXTENSION DE LOS CONDUCTOS DE ESCAPE.

Si los conductos instalados tienen un equivalente de más de 150 pies:

- Aumentará el tiempo de secado y los costos de energía.
- Reducirá la vida de la secadora.
- Acumulará pelusa, creando el peligro potencial de un incendio.

EJEMPLO

La siguiente tabla describe un ejemplo de una posible instalación de conductos.

COMPONENTES DE LOS CONDUCTOS	LONGITUD RÍGIDA EQUIVALENTE	X	NÚMERO USADO	=	LONGITUD EQUIVALENTE
Conducto de metal rígido (recomendado)	1 pie	X	(4)	=	4 pies
CONDUCTO DE TRANSICIÓN (DE LA SECADORA A LA PARED)					
Codos (90°/45°)	10 pies	X	(3)	=	30 pies
Curvas menos de 4 pies	2 pies	X	(1)	=	2 pies
Conducto rígido	1 pie	X	(5)	=	5 pies
TAPA DE LA PARED	5 pies	X	(1)	=	5 pies
LONGITUD TOTAL DE LOS CONDUCTOS = EL TOTAL DEBE SER MENOR O IGUAL A 150 PIES					
					46 pies

La instalación correcta del sistema de escape es su responsabilidad.

Los problemas causados por una instalación incorrecta no están cubiertos por la garantía.

La longitud del sistema de escape depende del tipo de conducto, el número de curvas y el tipo de salida de escape (tapa de la pared), y de todas las condiciones mencionadas anteriormente.

Para un flujo de aire satisfactorio, la longitud total del conducto no debe sobrepasar los 150 pies equivalentes.

CÓMO CONECTAR LA SÉCADORA A LA VENTILACIÓN DOMÉSTICA

- Para un mejor desempeño de secado, se recomienda un conducto de transición de metal rígido.
- Los conductos de transición de metal rígido reducen el riesgo de aplastamientos y torceduras.

CONDUCTO DE TRANSICIÓN DE METAL FLEXIBLE (SEMI-RÍGIDO) APROBADO POR UL

- Si no puede utilizarse un conducto de metal rígido, entonces puede usarse un conducto de metal flexible (semi-rígido) aprobado por UL (kit WX08X10077).
- Nunca instale conductos de metal flexible en paredes, cielorrasos, pisos u otros espacios ocultos.
- La longitud total del conducto de metal flexible no deberá superar los 8 pies (2,4 m).
- Para muchas aplicaciones, se recomienda enfáticamente la instalación de codos en la secadora y en la pared (ver ilustraciones hacia derecho). Los codos permiten que la secadora se ubique cerca de la pared sin torcer o aplastar el conducto de transición, lo que potencia al máximo el desempeño de secado.
- No coloque el conducto sobre objetos afilados.

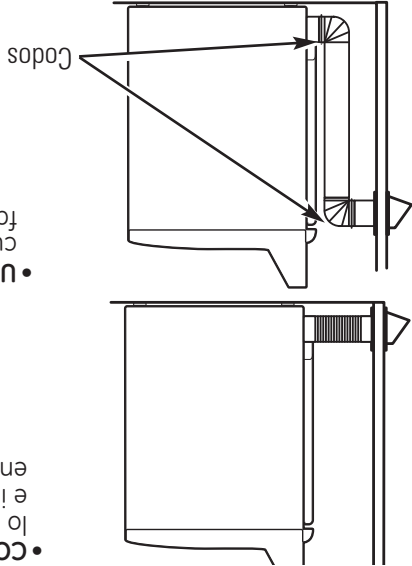
CONDUCTO DE TRANSICIÓN DE METAL FLEXIBLE (TIPO PAPEL DE ALUMINIO) APROBADO POR UL

- En instalaciones especiales, puede ser necesario conectar la secadora a la ventilación doméstica utilizando un conducto de metal flexible (tipo papel de aluminio).
- Puede utilizarse un conducto de metal flexible (tipo papel de aluminio) aprobado por UL SCLC en instalaciones en las que no pueden usarse conductos de metal rígido o flexible (semi-rígidos) y en las que puede mantenerse un diámetro de 4" (10 cm) a lo largo de todo el conducto de transición.
- En Canadá y los Estados Unidos, solamente deberán utilizarse los conductos de metal flexible (tipo papel de aluminio) que cumplen con el "Resumen para conductos de transición para secadoras de ropa, Tema 2158A".
- Nunca instale conductos de metal flexible en paredes, cielorrasos, pisos u otros espacios ocultos.
- La longitud total del conducto de metal flexible no deberá superar los 8 pies (2,4 m).
- No coloque el conducto sobre objetos afilados.
- Para un mejor desempeño de secado:
 1. Deslice un extremo del conducto sobre la tubería de salida de la secadora de ropa.
 2. Fije el conducto con una abrazadera.
 3. Con la secadora en su posición permanente, extienda el conducto en su longitud total. Deje que se superpongan 2" (5 cm) de conducto con la tubería de salida. Corte y quite el tramo de conducto que sobra. Mantenga el conducto lo más recto posible para lograr una corriente de aire máxima.
 4. Fije el conducto a la tubería de salida con la otra abrazadera.

PARA VENTILACIÓN DE TRANSICIÓN (SECADORA A PARED), HAGALO SIGUIENTE:

- **CORTE** el conducto lo más corto posible e instálelo derecho en la pared.

- **UTILICE** codos cuando hagan falta curvas.



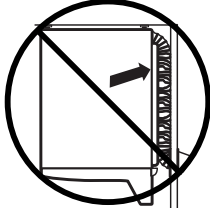
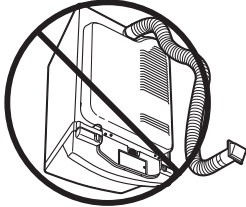
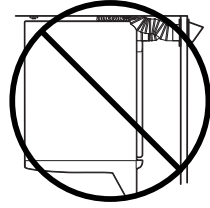
NO HAGALO SIGUIENTE:

- **NO** doble o pliegue los conductos. Utilice los codos si algunos codos resultan necesarios.

- **NO** utilice una longitud de salida excesiva. Corte los conductos con la longitud más corta posible.

- **NO** aplaste el conducto contra la pared.

- **NO** coloque la secadora en el conducto.



CÓMO INSTALAR EL ESCAPE DE LA SECADORA

LISTA DE CONTROL DEL SISTEMA DE SALIDA

CAMPANA O CUBIERTA DE PARED

- Instale la salida de modo de evitar contracorrientes o el ingreso de pájaros u otros insectos o animales.
- La boca de salida debe presentar una resistencia mínima al flujo de salida y debe requerir poco mantenimiento para evitar las obstrucciones.
- Nunca instale un filtro dentro o sobre el conducto de salida.
- Las cubiertas de pared deben instalarse por lo menos a 12" sobre el nivel del suelo o cualquier otra obstrucción con la abertura apuntando hacia abajo.

SEPARACIÓN DE CURVAS

- Para un mejor desempeño, separe todas las curvas con 4 pies de conducto recto como mínimo, incluyendo la distancia entre la última curva y la cubierta de pared con regulador de tiro. Para curvas ubicadas a una distancia menor de 4 pies, ver la Tabla de equivalencia de componentes de conductos.

SELLADO DE JUNTAS

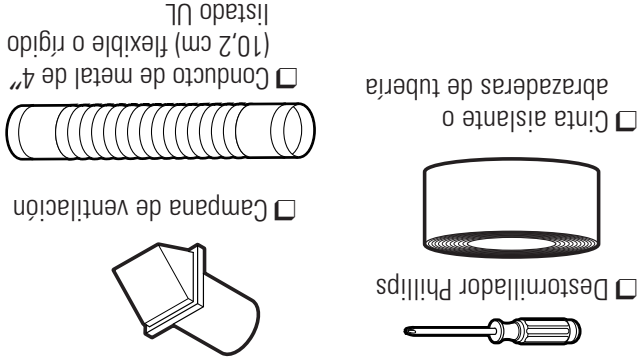
- Todas las juntas deben estar bien selladas para evitar pérdidas. El extremo macho de cada sección de conducto debe apuntar en dirección opuesta de la secadora.
 - No arme la red de conductos con sujeciones que se extiendan dentro del conducto. Funcionarán como un punto de acumulación de pelusas.
 - Las juntas de los conductos deben ser herméticas al aire y a la humedad mediante la superposición de juntas con cinta aislante o cinta de aluminio.
 - Los tramos horizontales deben tener una inclinación hacia el exterior de 1/4" por pie.
- ASISLACION**
- Los conductos instalados a través de una área sin calefacción o ubicados cerca de un acondicionador de aire deben aislarse para reducir la condensación y la acumulación de pelusas.

▲ ADVERTENCIA: Para reducir

el riesgo de incendio o lesiones personales:

- Esta secadora de ropa debe contar con una salida al exterior.
- Utilice sólo un conducto de metal rígido de 4" para el conducto de salida doméstico.
- Utilice sólo un conducto de metal rígido de 4" o de metal flexible aprobado por UL (semi-rígido o tipo papel de aluminio) para conectar la secadora al conducto de salida doméstico. Debe instalarse de acuerdo con las instrucciones incluidas en "doméstica" de la página 29 de este manual.
- No instale la boca de salida dentro de una chimenea, pared, cielorraso, ventilación de gas, espacio entre pisos, ático, bajo un piso con cerramiento o en cualquier otro espacio oculto de un edificio.
- Nunca instale la boca de salida dentro de un conducto común con el sistema de salida de la cocina. La combinación de grasa y pelusas podría provocar un riesgo de incendio.
- No utilice un conducto de una longitud mayor a la especificada en la tabla de longitud de salida. Los conductos más largos acumulan pelusa, lo que genera un riesgo potencial de incendio.
- Nunca instale un filtro dentro o sobre el conducto de salida. Esto provocará la acumulación de pelusas, lo que genera un riesgo potencial de incendio.
- No arme la red de conductos con sujeciones que se extiendan dentro del conducto. Estas sujeciones pueden acumular pelusa, lo que genera un riesgo potencial de incendio.
- No obstruya el aire que entra y sale.
- Incluya un acceso para inspección y limpieza del sistema de salida, especialmente en las curvas y juntas. El sistema de salida debe inspeccionarse y limpiarse por lo menos una vez al año.

HERRAMIENTAS Y MATERIALES NECESARIOS PARA INSTALAR UN CONDUCTO DE SALIDA

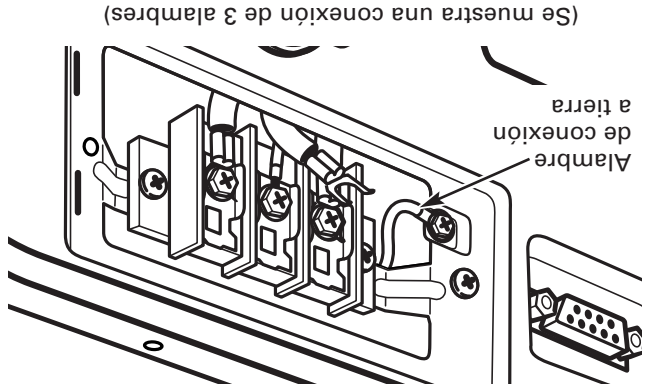
- Destornillador Phillips
 - Cinta aislante o abrazaderas de tubería
 - Campana de ventilación
 - Conducto de metal de 4" (10,2 cm) flexible o rígido listado UL
- 

CÓMO CONECTAR EL CABLE ELÉCTRICO DE LA SECADORA (Cont.)

D Para una conexión de 3 alambres

SOLAMENTE:

Asegúrese de que el alambre verde de conexión a tierra de la secadora esté conectado al tornillo verde de conexión a tierra en la parte posterior de la secadora.

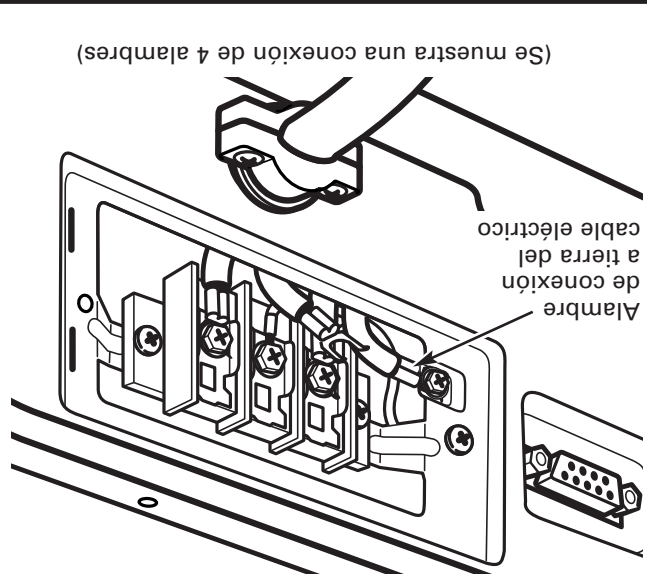


(Se muestra una conexión de 3 alambres)

Para una conexión de 4 alambres

SOLAMENTE:

Remueva el alambre de conexión a tierra de la secadora del tornillo verde de conexión a tierra y conéctelo al tornillo del centro del bloque de terminales. Conecte el alambre de conexión a tierra del cable eléctrico al tornillo verde de conexión a tierra.



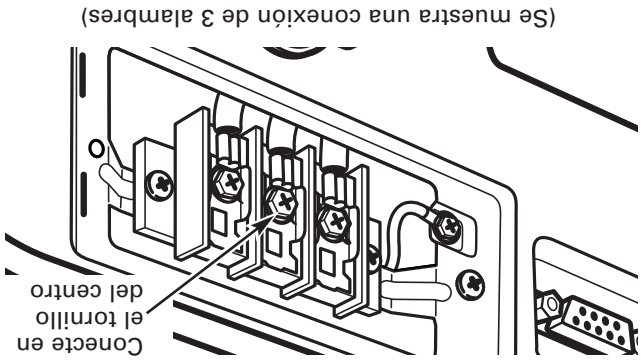
(Se muestra una conexión de 4 alambres)

CÓMO CONECTAR EL CABLE ELÉCTRICO DE LA SECADORA (Cont.)

E Para una conexión de 3 alambres

Y 4 alambres:

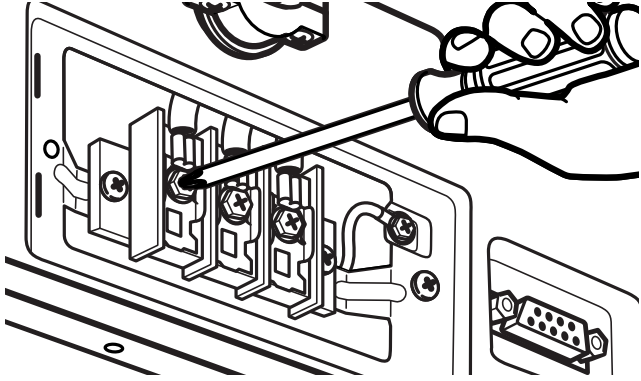
Conecte la línea del neutro (línea del centro en el cable de 3 alambres, la línea blanca en el cable de 4 alambres) en el centro del bloque de terminales.



(Se muestra una conexión de 3 alambres)

F Para una conexión de 3 alambres

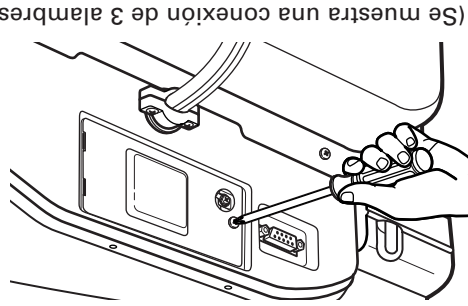
Y 4 alambres: Apriete todos los tornillos del bloque de terminales completamente.



(Se muestra una conexión de 3 alambres)

G Para una conexión de 3 alambres

Y 4 alambres: Reinstale la cubierta de acceso del bloque de terminales. **IMPORTANTE:** No deje la cubierta de acceso desmontada.



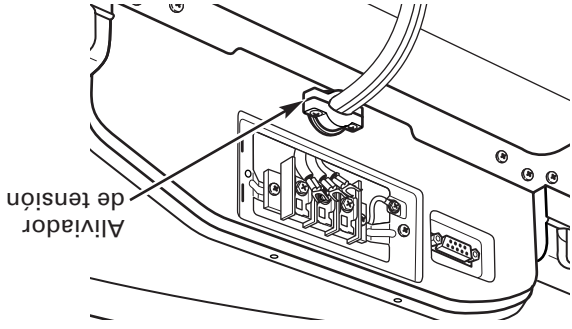
(Se muestra una conexión de 3 alambres)

CÓMO CONECTAR UNA SECADORA ELÉCTRICA (Cont.)

CÓMO CONECTAR EL CABLE ELÉCTRICO DE LA SECADORA (Cont.)

B Para una conexión de 3 alambres y 4 alambres:

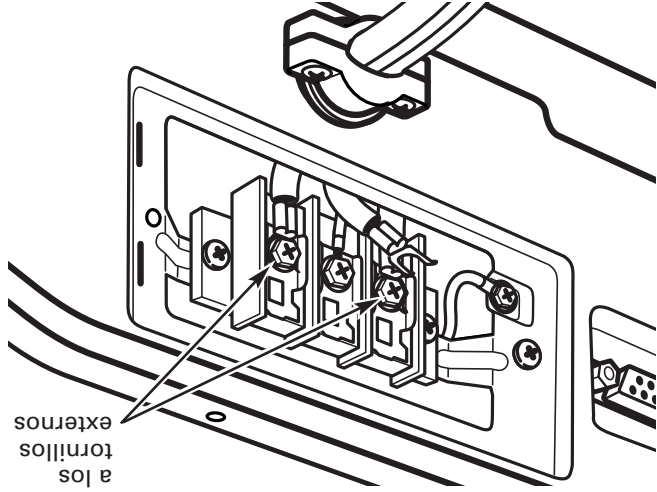
Instale un alivador de tensión listado UL en el agujero de entrada del cable eléctrico debajo del bloque de terminales. Atornille un cable eléctrico de conductor de cobre mínimo #10 AWG, de 3 alambres o 4 alambres, listado UL de 30A, 240V a través del alivador de tensión.



(Se muestra la conexión de 3 alambres)

C Para una conexión de 3 alambres y 4 alambres: Conecte las dos líneas activas a los tornillos externos del bloque de terminales.

Conecte a los tornillos externos



(Se muestra la conexión de 3 alambres)

ADVERTENCIA: No doble el cable o el conductor en la conexión.

REQUISITOS ELÉTRICOS PARA LAS SECADORAS ELÉTRICAS

Esta secadora se debe conectar a un circuito individual, protegido por los fusibles demorados requeridos o por interruptores de circuito. Se requiere un tomacorriente de 3 o 4 entradas de fase única de 120/240V o 120/208V, 60Hz, 30 amperios. Si el tomacorriente no cumple con las especificaciones anteriores, llame a un electricista calificado.

INSTRUCCIONES PARA LA CONEXIÓN A TIERRA

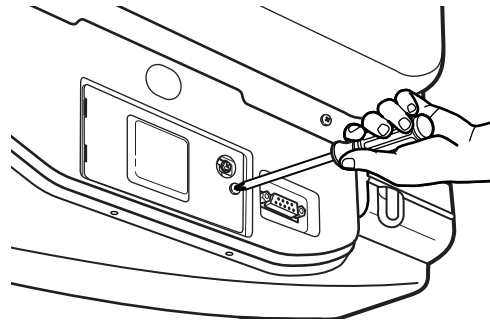
Esta secadora se debe conectar a un metal conectado a tierra, en un sistema de cableado permanente, o se debe instalar un conductor de tierra de equipos al circuito y se debe conectar el terminal de tierra del equipo en el electrodoméstico.

CÓMO CONECTAR EL CABLE ELÉCTRICO DE LA SECADORA

NOTA: Desde enero 1, 1996, la norma National Electrical Code requiere que las nuevas construcciones utilicen una conexión de 4 alambres para una secadora eléctrica.

Un cable de 4 alambres debe usarse donde los códigos locales no permitan la conexión a tierra a través del cable neutro. La conexión de 3 alambres NO se puede usar en las nuevas construcciones.

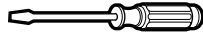
A Remueva la cubierta de acceso a las terminales localizadas en la parte posterior superior.



CÓMO CONECTAR UNA SECADORA ELÉCTRICA (ignorar para las secadoras de gas)

HERRAMIENTAS Y MATERIALES QUE SE NECESITARÁN PARA CONECTAR LA SECADORA AL SUMINISTRO ELÉCTRICO

- Un destornillador plano (podría ser necesario para aliviar la tensión en los cables)



- Un destornillador de estrella #2 (para las conexiones de los terminales)

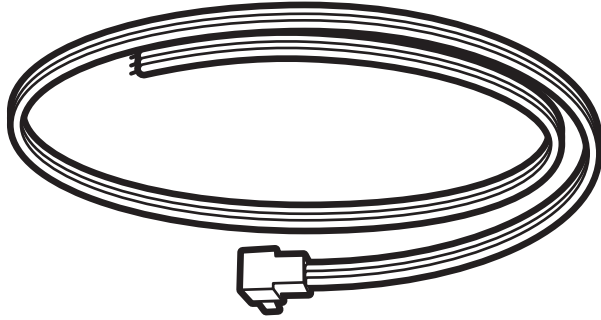


- Un aliviador de tensión listado UL (es posible que se suministre con el cable eléctrico)



- Un cable eléctrico listado UL

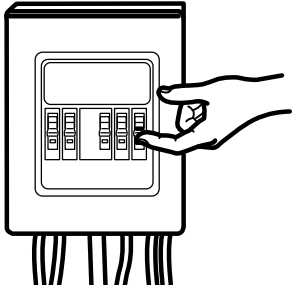
- 30 amperios
- 240V
- Un conductor de cobre mínimo #10 AWG
- Terminales de lazo cerrado (closed loop) o ahorquillado con los extremos hacia arriba
- Cable de 3 alambres (para construcciones anteriores a 1996) o cable de 4 alambres para construcciones después de 1996)



POR SU SEGURIDAD:

ADVERTENCIA

Antes de comenzar con la instalación, desconecte el interruptor de circuito o remueva el fusible del circuito de la secadora en la caja eléctrica. Asegúrese de que el cable de la secadora está desconectado de la pared. NUNCA DEJE EL BLOQUE DE TERMINALES SIN LA CUBIERTA DE ACCESO.



INFORMACIÓN DE LA CONEXIÓN ELÉCTRICA PARA LAS SECADORAS ELÉCTRICAS

ADVERTENCIA – Para reducir el riesgo de incendio, descarga eléctrica o lesiones:

- No use una extensión o un adaptador de enchufe con este electrodoméstico.
- Esta secadora se debe conectar a tierra conforme a los códigos locales y en la ausencia de códigos locales, a la norma NATIONAL ELECTRICAL CODE, ANSI/NFPA NO. 70.

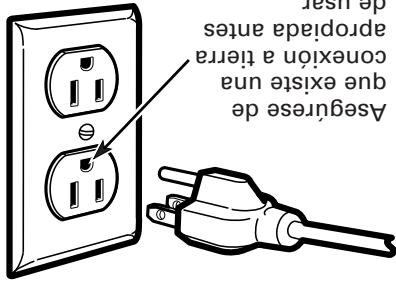
CÓMO CONECTAR UNA SECADORA DE GAS (Cont.)

REQUISITOS ELÉCTRICOS PARA LAS SECADORAS DE GAS

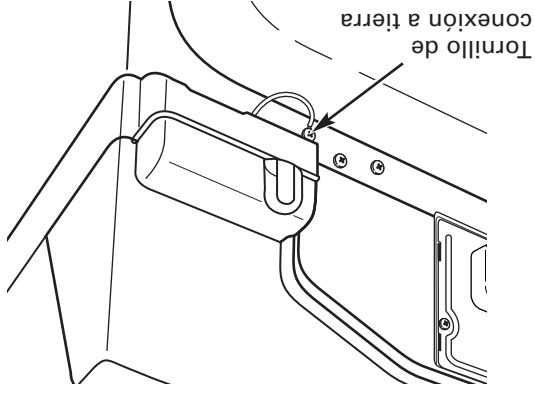
Este electrodoméstico se debe alimentar con 120V, 60Hz, y debe conectarse a un circuito que esté conectado a tierra apropiadamente, protegido por un interruptor de circuito de 15 ó 20 amperios o un fusible demorado. Si el suministro eléctrico no cumple con las especificaciones anteriores, se recomienda que un electricista que tenga licencia instale un tomacorriente aprobado.

⚠️ ADVERTENCIA – Esta

secadora está equipada con un enchufe de tres terminales (con conexión a tierra) para protegerlo de los peligros de una descarga eléctrica y se debe conectar directamente a un tomacorriente de tres entradas con conexión a tierra. No corte o remueva la terminal de conexión a tierra de este enchufe.



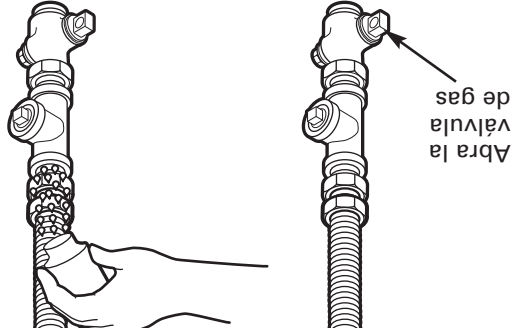
Si los códigos locales lo permiten, un alambre de conexión a tierra externo (no suministrado), que cumpla con los códigos locales, se podría agregar atornillándolo al tornillo verde de conexión a tierra en la parte posterior de la secadora, o a una conexión a tierra alternativa.



PRUEBAS DE FUGAS

⚠️ ADVERTENCIA – Nunca use una llama abierta para probar si existe una fuga de gas.

Inspeccione todas las conexiones con una solución jabonosa o algo equivalente para encontrar fugas. Aplique una solución jabonosa. La solución no debe contener amoníaco porque podría dañar las uniones de latón. Si se encuentran fugas, cierre la válvula, apriete la conexión y repita la prueba con la solución jabonosa.



INFORMACIÓN DE LA CONEXIÓN ELÉCTRICA PARA LAS SECADORAS DE GAS

⚠️ ADVERTENCIA – Para

reducir el riesgo de incendio, descarga eléctrica o lesiones personales:

- No use un cable de extensión o un adaptador de enchufe con este electrodoméstico.
- Esta secadora se debe conectar a tierra conforme con los códigos locales y en la ausencia de códigos locales, con la NATIONAL ELECTRICAL CODE, ANSI/NFPA NO. 70.

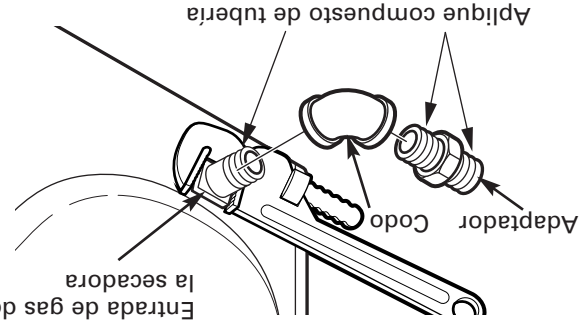
AL SUMINISTRO DE GAS

A Instale un codo NPT 3/8" hembra en el extremo de la entrada de gas de la secadora.

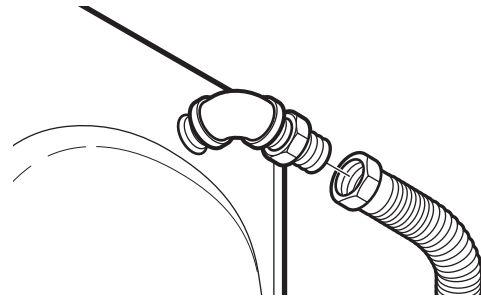
Instale un adaptador de unión abocinado de 3/8" al codo hembra.

IMPORTANTE: Use una llave de tubos para sostener con seguridad el extremo de la entrada de gas de la secadora para prevenir que la entrada se tuerza.

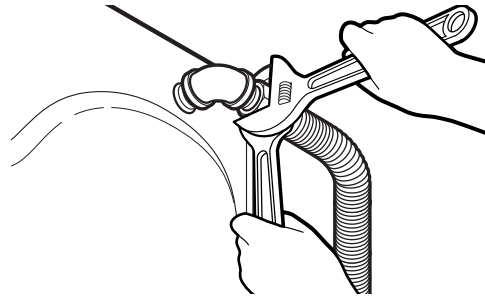
NOTA: Aplique un compuesto de tubería o use cinta de Teflón® en las roscas del adaptador y la entrada de gas de la secadora.



B Conecte la conexión flexible de línea de gas al adaptador.



C Apriete la conexión de la línea de gas flexible usando dos llaves ajustables.

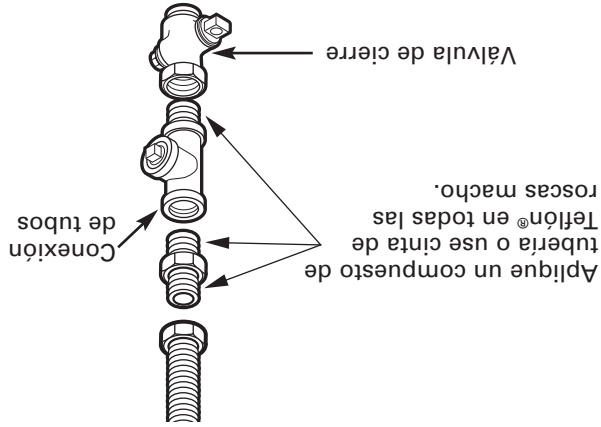


AL SUMINISTRO DE GAS (Cont.)

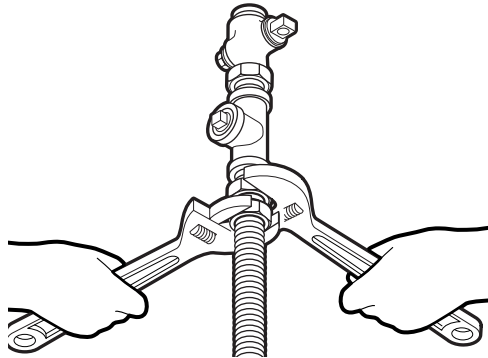
D Instale una conexión de unión de tubos de 1/8" a la válvula de cierre de la línea de gas de la secadora para inspeccionar la presión de entrada del gas.

Instale un adaptador entre los tubos.

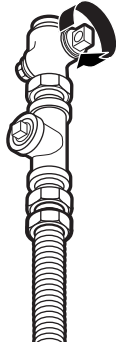
NOTA: Aplique un compuesto de tubería o use cinta de Teflón® en las roscas del adaptador y a la unión de tubos.



E Apriete todas las conexiones usando dos llaves ajustables. **No apriete excesivamente.**



F Abra la válvula de gas.

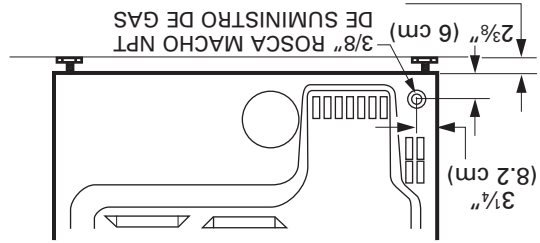


CÓMO CONECTAR UNA SECADORA DE GAS (Cont.)

REQUISITOS DEL GAS

- La instalación debe hacerse conforme a los códigos locales y las ordenanzas, o en su ausencia, con la norma NATIONAL FUEL GAS CODE, ANSI Z223.
- Esta secadora de gas está equipada con una Válvula y un ensamble quemador para usarse solamente con gas natural. Usando un kit de conversión WE25X10014, su organización de servicio local puede convertir esta secadora para que funcione con gas propano (LP). TODAS LAS CONVERSIONES SE DEBEN HACER POR PARTE DE PERSONAL ENTRENADO APROPIADAMENTE Y CALIFICADO DE ACUERDO CON LOS CÓDIGOS LOCALES Y LOS REQUISITOS DE LAS ORDENANZAS.
- La secadora se debe desconectar del sistema de tuberías de suministro de gas durante cualquier prueba de presión de ese sistema a una presión mayor de 0.5 PSI (3.4 Kpa).
- La secadora debe aislarse del sistema de tuberías de suministro de gas cerrando la válvula del equipo durante cualquier prueba de presión de las tuberías de suministro de gas igual o menor a 0.5 PSI (3.4 Kpa).

CONEXIÓN DE SUMINISTRO DE GAS DE LA SECADORA



NOTA: Agregue a la dimensión vertical la distancia entre el fondo del gabinete y el piso.

ADVERTENCIA

- Las clasificaciones de entrada de secadoras para ropa a gas se basan en el funcionamiento a nivel del mar y no deben ajustarse para funcionar a una elevación de 2000 pies o por debajo de la misma. Para un funcionamiento en alturas mayores a 2000 pies, las clasificaciones de entrada deben reducirse a una tasa de 4% por cada 1000 pies sobre el nivel del mar.
- La instalación debe cumplir con códigos y ordenanzas locales, o si no las hubiera, con el CODIGO NACIONAL DE GAS COMBUSTIBLE, ANSI Z223.

AJUSTE PARA ALTURAS ELEVADAS

- Este producto debe ser instalado por personal calificado en plomería e instalaciones de gas.
- Cuando se use una válvula de corte de gas, la perilla tiene que ser de tipo T.
- Si se utiliza una conexión de gas flexible, esta no debe ser de más de 3 pies (91 cm) de largo.

EN EL ESTADO DE MASSACHUSETTS

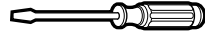
- Una rosca de conexión de unión de tubos (National Pipe Taper) de 1/8", se debe instalar a la salida de la tubería de suministro de gas que se va utilizar para la secadora, para tener una conexión accesible que permita hacer pruebas de presión. Póngase en contacto con su proveedor de gas local si usted tiene alguna pregunta sobre dicha conexión.
- La línea de suministro debe ser de una tubería de 1/2" rígida y debe estar equipada con una válvula accesible a 6 pies o menos de distancia, y en la misma habitación donde se encuentra la secadora.
- Use un compuesto de tubería apropiado para gas natural o LP o use una cinta de Teflón®.
- Conecte la conexión de metal flexible a la secadora y al suministro de gas.

SUMINISTRO DE GAS

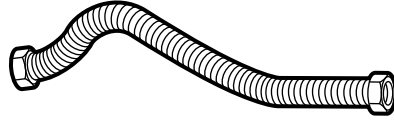
CÓMO CONECTAR UNA SECADORA DE GAS (ignorar para las secadoras eléctricas)

HERRAMIENTAS Y MATERIALES QUE SE NECESITAN PARA CONECTAR EL SUMINISTRO DE GAS

- Un destornillador plano (podría ser necesario para aliviar la tensión en los cables)



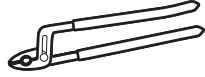
- Un tubo de conexión con recubrimiento de acero inoxidable o plástico recubierto de latón (si lo permiten los códigos de construcción)



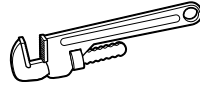
- Una llave para los tubos flexibles y el conector



- Pinzas ajustables (para ajustar las patas)



- Una llave de tubos para sostener la entrada de gas de la secadora mientras se instala el codo adaptador



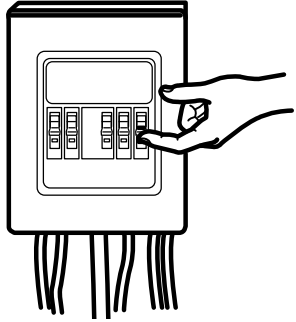
- Llaves ajustables (2) para apretar las conexiones



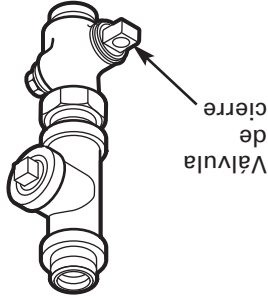
▲ POR SU SEGURIDAD:

▲ ADVERTENCIA

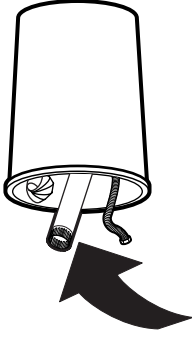
Antes de comenzar la instalación, desconecte el circuito de interruptores o remueva el fusible del circuito de la secadora en la caja eléctrica. Asegúrese de que el cable de la secadora está desconectado de la pared.



Cierre la válvula de gas hacia la secadora en la línea de suministro, colocándola en la posición OFF (APAGADO).



Desconecte y deseché el conector flexible viejo y el material de conducto.



LOCALIZACIÓN DE SU SECADORA (Cont.)

INSTALACIÓN EN UN BAÑO O EN UNA ALCOBA

- La secadora DEBE ventilarse hacia el exterior. Ver la sección COMO INSTALAR EL ESCAPE DE LA SECADORA.
- La instalación debe seguir los códigos locales o, en la ausencia de códigos locales, con NATIONAL ELECTRICAL CODE, ANSI/NFPA NO. 70 (para secadoras eléctricas) o NATIONAL FUEL GAS CODE, ANSI Z223 (para secadoras de gas).

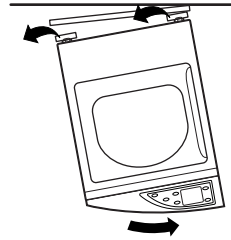
REQUISITOS PARA LA INSTALACIÓN EN ARMARIO

- Su secadora está aprobada para instalarse en armarios, como se establece en la etiqueta en la parte posterior de la secadora.
- La secadora DEBE ventilarse hacia el exterior. Ver la sección COMO INSTALAR EL ESCAPE DE LA SECADORA.
- Un espacio mínimo entre la secadora y las paredes adyacentes y otras superficies es: 0" de cualquier lado 3" del frente y la parte posterior
- El espacio vertical mínimo desde el piso hasta los estantes de arriba, los gabinetes, los techos, etc. es de 52".
- Las puertas del armario deben estar ventiladas de alguna forma y deben tener por lo menos 60 pulgadas cuadradas de área abierta distribuidas uniformemente. Si el armario contiene una lavadora y una secadora, las puertas deben contener un mínimo de 120 pulgadas cuadradas de área abierta distribuidas uniformemente.
- No se debe instalar ningún otro electrodoméstico que funcione con combustible en el mismo armario con la secadora (en los modelos de gas solamente).

Instrucciones de instalación

CÓMO DESEMPACAR SU SECADORA

Incline su secadora hacia un lado y remueva las almohadillas de espuma de empaquetamiento como se muestra en el diagrama. Asegúrese de remover todos los pedazos de espuma de alrededor de las patas. Remueva la bolsa que contiene la parrilla de secado, la literatura y el cable serial.



LOCALIZACIÓN DE SU SECADORA

IMPORTANTE: Las secadoras de gas no están aprobadas para instalarse en casas móviles.

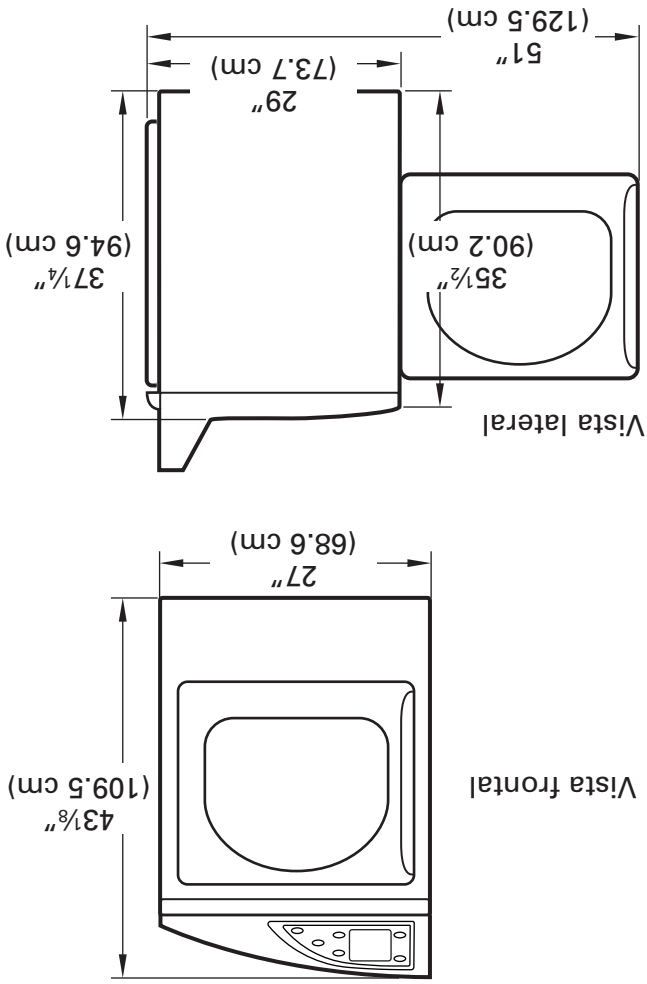
ESPACIO MÍNIMO (DIFERENTE SI SE INSTALA EN UN ARMARIO)

El espacio mínimo a las superficies combustibles y para entrada del aire son:

- 0 pulgadas de espacio en ambos lados
- 1 pulgada en el frente
- 3 pulgadas en la parte posterior

Se debe considerar proveer espacio adecuado para la operación y el servicio.

DIMENSIONES DE LA SECADORA



CÓMO CAMBIAR LOS TABLEROS DE LA LAVADORA Y LA SECADORA (opcional)

Si es necesario, cambie los tableros entre la lavadora y la secadora antes de hacer las conexiones de escape o de los servicios (ver "Cómo cambiar los tableros de la lavadora y la secadora").

Instrucciones de instalación

Secadora DPGT750

¿Preguntas? Llame al 800.GE.CARES (800.432.2737) o visite nuestra página Web: GEAppliances.com

ANTES DE COMENZAR

Lea detenidamente todas las instrucciones.

• **IMPORTANTE** – Guarde estas instrucciones para uso del inspector local.

• **IMPORTANTE** – Cumpla todos los códigos y ordenanzas regulatorias.

• Instale la secadora de acuerdo con las instrucciones del fabricante y los códigos locales.

• **Nota al instalador** – Asegúrese de dejar estas instrucciones al usuario.

• La instalación de la secadora debe efectuarla un instalador calificado.

• Esta secadora **debe** tener una salida al exterior.

• Antes de que la secadora antigua sea retirada del servicio o eliminada, quite la puerta.

• La información sobre reparaciones y el diagrama del cableado se encuentran en la consola de control.

• No permita que niños se suban o se metan dentro del artefacto. Se requiere una supervisión estricta cuando el artefacto es utilizado cerca de niños.

• La instalación adecuada es responsabilidad del instalador.

• La garantía no cubre fallas producidas por la instalación inadecuada del producto.

• Para reducir el riesgo de una lesión grave o de muerte, cumpla con todas las instrucciones de instalación.

• Instale la secadora en lugares donde la temperatura sea mayor a 50°F para un funcionamiento satisfactorio del sistema de control de la secadora.

• Quite y descarte el conducto existente de plástico o de papel de aluminio y coloque un conducto aprobado por UL.

LEY DE CALIFORNIA PARA EL AGUA POTABLE Y LOS TÓXICOS

Esta ley exige que el Gobernador de California publique una lista de sustancias que según el estado provoquen cáncer, defectos congénitos u otros daños reproductivos, y exige a las empresas que adviertan a los clientes sobre la exposición potencial a dichas sustancias. Los aparatos a gas pueden provocar una exposición mínima a estas sustancias, a saber, benceno, monóxido de carbono, formaldehído y hollín, generados principalmente por la combustión incompleta de gas natural o combustibles LP. Si se ajustan bien las secadoras, la combustión incompleta se verá minimizada. La exposición a estas sustancias puede minimizarse aún más mediante una ventilación adecuada hacia el exterior.

PARA SU SEGURIDAD: ⚠️ ADVERTENCIA:

Riesgo de incendio

- Para reducir el riesgo de una lesión grave o de muerte, cumpla con todas las instrucciones de instalación.
- La instalación de la secadora de ropa debe efectuarla un instalador calificado.
- Instale la secadora de ropa de acuerdo con estas instrucciones y con los códigos locales.
- Esta secadora debe tener una salida al exterior. Utilice sólo un conducto de metal rígido de 4" para la salida al exterior de la secadora de ropa. NO instale una secadora de ropa con materiales de ventilación de plástico flexible. Si se instalan conductos de metal flexible (semi-rígido o tipo papel de aluminio), deben estar aprobados por UL e instalarse de acuerdo con las instrucciones incluidas en "Cómo conectar la secadora a la ventilación doméstica" de la página 29 de este manual. Los materiales de ventilación flexibles a menudo se desploman, se aplastan y atrapan pelusas. Estas condiciones obstruyen la corriente de aire de la secadora y aumentan el riesgo de incendio.
- No instale o almacene este aparato en un lugar donde se vea expuesto al agua y/o a las inclemencias del tiempo.
- El Código Nacional de Gas Combustible restringe las instalaciones de artefactos de gas en garajes. Deben estar a 18 pulgadas del piso y protegidos de los vehículos mediante una barrera.
- Guarde estas instrucciones. (Instalador: Asegúrese de dejar estas instrucciones al consumidor).

SÓLO PARA MODELOS A GAS:

NOTA: La instalación y servicio técnico de esta secadora deben realizarlos un instalador calificado, una agencia de servicios o el proveedor de gas.

En la Mancomunidad de Massachusetts:

- Este producto debe instalarse por un plomero matriculado o un instalador de gas.
- Cuando use válvulas esféricas de apagado de gas, deberán ser del tipo de manija en T. Si se usa una conexión flexible para gas, ésta no debe superar los 3 pies.

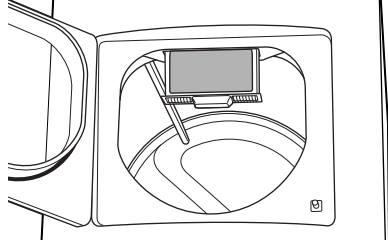
El interior de la secadora y los conductos: Un técnico calificado de servicio debe limpiar el interior del electrodoméstico y el conducto de escape una vez al año.

El exterior: Pásese un trapo y elimine el polvo o cualquier derrame de productos de lavandería con un trapo húmedo. Los productos de tratamiento para quitar mugre y manchas podrían dañar el tablero de control de la secadora y afectar su apariencia. Aplique estos productos a cierta distancia de la secadora. Luego las telas podrán lavarse y secarse normalmente. Los daños causados a la secadora por estos productos no están cubiertos bajo su garantía.

No toque la superficie o la pantalla de tacto con objetos filosos.

El filtro de pelusa: Limpie el filtro de pelusa antes de cada uso. Remuévalo halándolo directamente hacia arriba. Pase sus dedos a través del filtro. Una acumulación cerosa se podría formar en el filtro de pelusa debido al uso de toallas suavizantes. Para remover esta acumulación, lave el filtro de pelusa en agua tibia y jabonosa. Séquela bien y colóquela en su lugar. No use la secadora sin el filtro de pelusa en su lugar.

Pásese la aspiradora al área del filtro de pelusa si usted nota un cambio en el rendimiento de la secadora.



La salida de escape: Inspeccione con un espejo que las aletas internas de la salida de escape se mueven libremente. Asegúrese de que ningún animal (pájaros, insectos, etc.) haya hecho su nido en el interior del conducto o en la salida de escape.

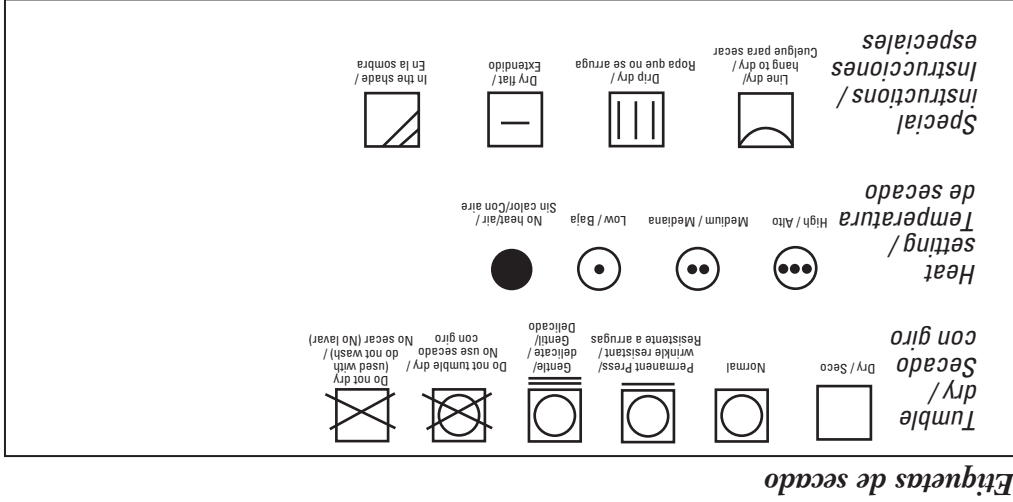
El acero inoxidable: Para limpiar las superficies de acero inoxidable, use un trapo húmedo con un limpiador suave, no abrasivo apropiado para superficies de acero inoxidable. Remueva el residuo del limpiador y luego seque con un trapo limpio.

El acero inoxidable usado para construir el tambor giratorio de la secadora proporciona la alta confiabilidad en una secadora GE. Si el tambor giratorio de la secadora llegara a rayarse o abollarse durante el uso normal, el tambor no se oxidará ni se corroerá. Estas marcas en la superficie no afectarán el funcionamiento o la durabilidad del tambor giratorio.

Las etiquetas del cuidado de la tela

Ideas para la clasificación y carga de la ropa

Aquí puede ver "símbolos" de etiquetas para indicar el cuidado de las telas.



Etiquetas de secado

Como regla general, si la ropa es clasificada apropiadamente para la lavadora, estará clasificada apropiadamente para la secadora. También trate de clasificar los artículos de acuerdo con su tamaño. Por ejemplo, no seque sábanas/cobijas con calcetines/medias u otros artículos pequeños.

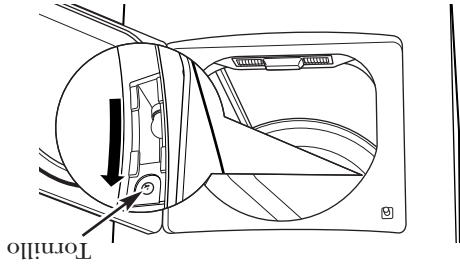
No agregue toallitas suavizantes una vez la ropa se haya calentado. Esto podría causar que la ropa se manche. Las toallitas suavizantes acondicionadoras Bounce® se han aprobado para usar con todas las secadoras GE de acuerdo con las instrucciones del fabricante. **No sobrecargue.** Esto desperdicia energía y causa arrugas.

No seque los siguientes artículos: artículos de fibra de vidrio, prendas de lana que no sean lavables, artículos con recubrimientos de goma, plásticos, artículos con bordes plásticos o rellenos de espuma.

Siempre siga las instrucciones del fabricante de la ropa cuando lave.

*Cómo
cambiar
la bomba
del tambor
giratorio*

- Antes de reemplazar la bomba del tambor giratorio, asegúrese de desconectar la secadora del tomacorriente o de desconectar la secadora del panel de distribución de su casa removiendo el fusible o interrumpiendo el circuito eléctrico.
- La bomba del tambor giratorio está localizada en la parte superior izquierda del marco de la puerta.
- 1 Remueva el tornillo que sostiene el protector de la lámpara del tambor giratorio.
 - 2 Deslice el protector hacia arriba y retírelo.
 - 3 Remueva la bomba y reemplácela con una bomba de 120 voltios, 15 vatios.
 - 4 Reemplace el protector de la lámpara y el tornillo.

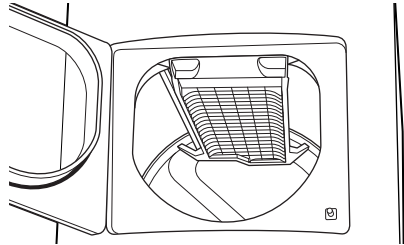


*Cómo usar
la rejilla
de secado*

La rejilla de secado se puede usar para secar artículos delicados tales como suéteres lavables. Enganche la rejilla sobre el filtro de la pelusa de forma tal que la rejilla se extienda en el tambor giratorio de la secadora.

NOTA:

- La rejilla de la secadora solamente se debe usar con los ciclos **SECADO CON TIEMPO** o **SECADO CON REJILLA**. Además, es altamente recomendado para secar zapatos deportivos.
- No use esta rejilla cuando esté secando otra ropa en la secadora.



Las preferencias de la máquina en la función de Ayuda le permiten controlar el encendido y apagar la función de ciclo, además de encender y apagar la función de comunicación entre la lavadora y la secadora. Presione el botón de **HELP (AYUDA)**, luego seleccione una de las opciones disponibles en la pantalla.

Volumen del botón

Esta función controla el volumen cuando usted presiona cualquiera de los botones en el tablero de control y de la pantalla de tacto.

Para cambiar el volumen de la señal del botón:

- 1 En la pantalla inicial, presione el botón de **HELP (AYUDA)**.
- 2 Seleccione **PREFERENCIAS DE LA MÁQUINA** en la pantalla de tacto.
- 3 Seleccione el **VOLUMEN DEL BOTÓN** en la pantalla de tacto.
- 4 Use las flechas para aumentar o reducir el volumen, o para encender o apagar la señal del botón.
- 5 Seleccione **OK** en la pantalla de tacto.

El nuevo volumen ahora es guardado en memoria como la opción predefinida.

Comunicación entre la lavadora y la secadora

La comunicación entre la lavadora y la secadora permite que la lavadora le envíe información sobre el ciclo a la secadora para crear un ciclo de secado que se ajuste a la carga de lavado.

Después de que el ciclo de lavado termina, la comunicación comienza, ya sea cuando la pantalla de tacto de la lavadora o la secadora es activada o si se levanta la tapa de la lavadora.

Una vez la información sea enviada por la lavadora, su secadora creará el ciclo de secado óptimo para su carga. Si usted ha clasificado su carga de lavado por color y por lo tanto ha seleccionado color en la pantalla de tacto de su lavadora, una vez transferida la información a la secadora, ésta le pedirá que usted seleccione el tipo de tela. Esto es normal, y se hace para optimizar el tiempo de secado apropiado para la carga que se acaba de lavar. Después de seleccionar el tipo de tela, la pantalla resumirá aparecerá. En este momento presione **START (ARRANQUE)**.

Si la pantalla de la secadora está apagada y usted quiere usar el "Ciclo recomendado por la lavadora" para secar su ropa, toque la pantalla de la secadora para actualizarla. Usted verá que aparece un botón de "Ciclo recomendado por la lavadora" en la pantalla inicial de su secadora. Presione el botón para comenzar el ciclo de secado recomendado para la carga que se acaba de lavar.

Para encender o apagar la función de Comunicación entre la lavadora y la secadora:

- 1 En la pantalla inicial, presione el botón **HELP (AYUDA)**.
- 2 Seleccione **PREFERENCIAS DE LA MÁQUINA** en la pantalla de tacto.
- 3 Seleccione **IDIOMA** en la pantalla de tacto.
- 4 Seleccione **ENGLISH** o **ESPAÑOL** en la pantalla de tacto.
- 5 Seleccione **OK** en la pantalla de tacto.

Para cambiar el volumen de la señal de fin del ciclo:

- 1 En la pantalla Inicial, presione el botón **HELP (AYUDA)**.
- 2 Seleccione **PREFERENCIAS DE LA MÁQUINA** en la pantalla de tacto.
- 3 Seleccione **SEÑAL DE FIN DEL CICLO** en la pantalla de tacto.
- 4 Use las flechas para aumentar o reducir el volumen, o para encender o apagar la señal.
- 5 Seleccione **OK** en la pantalla de tacto.

El nuevo volumen ahora es guardado en la memoria como la opción predefinida.

Idioma

El botón del idioma le permite al usuario cambiar entre Inglés y Español.

Para cambiar el idioma:

- 1 En la pantalla inicial, presione el botón **HELP (AYUDA)**.
- 2 Seleccione **PREFERENCIAS DE LA MÁQUINA** en la pantalla de tacto.
- 3 Seleccione **IDIOMA** en la pantalla de tacto.
- 4 Seleccione **ENGLISH** o **ESPAÑOL** en la pantalla de tacto.
- 5 Seleccione **OK** en la pantalla de tacto.

Señal de fin del ciclo

La señal de fin del ciclo le alerta cuando su ciclo ha finalizado.

Para cambiar el volumen de la señal de fin del ciclo:

- 1 En la pantalla Inicial, presione el botón **HELP (AYUDA)**.
- 2 Seleccione **PREFERENCIAS DE LA MÁQUINA** en la pantalla de tacto.
- 3 Seleccione **SEÑAL DE FIN DEL CICLO** en la pantalla de tacto.
- 4 Use las flechas para aumentar o reducir el volumen, o para encender o apagar la señal.
- 5 Seleccione **OK** en la pantalla de tacto.

El nuevo volumen ahora es guardado en la memoria como la opción predefinida.

Idioma

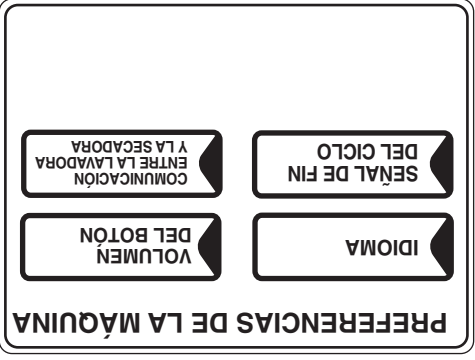
El botón del idioma le permite al usuario cambiar entre Inglés y Español.

Para cambiar el idioma:

- 1 En la pantalla inicial, presione el botón **HELP (AYUDA)**.
- 2 Seleccione **PREFERENCIAS DE LA MÁQUINA** en la pantalla de tacto.
- 3 Seleccione **IDIOMA** en la pantalla de tacto.
- 4 Seleccione **ENGLISH** o **ESPAÑOL** en la pantalla de tacto.
- 5 Seleccione **OK** en la pantalla de tacto.

PREFERENCIAS DE LA MÁQUINA en la pantalla de tacto.

- 1 En la pantalla inicial, presione el botón **HELP (AYUDA)**.
- 2 Seleccione **PREFERENCIAS DE LA MÁQUINA** en la pantalla de tacto.
- 3 Seleccione **IDIOMA** en la pantalla de tacto.
- 4 Seleccione **ENGLISH** o **ESPAÑOL** en la pantalla de tacto.
- 5 Seleccione **OK** en la pantalla de tacto.



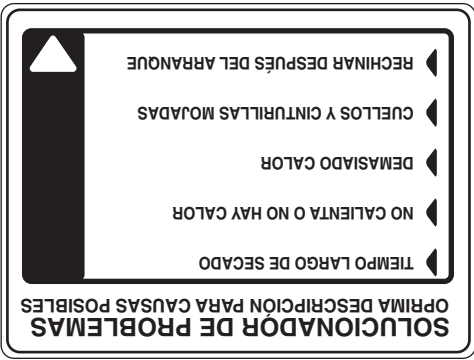
Como encontrar ayuda de la pantalla inicial

Presione el botón **HELP (AYUDA)** y después seleccione **AYUDA DE PANTALLA INICIAL** para encontrar información adicional sobre las funciones encontradas en la pantalla inicial. Toque cualquier botón en la pantalla de tacto para una explicación de esa función. Para terminar esta función, presione el botón **BACK (REGRESAR)**.

Como usar el solucionador de problemas

Para encontrar la lista de identificación de problemas comunes de la secadora:

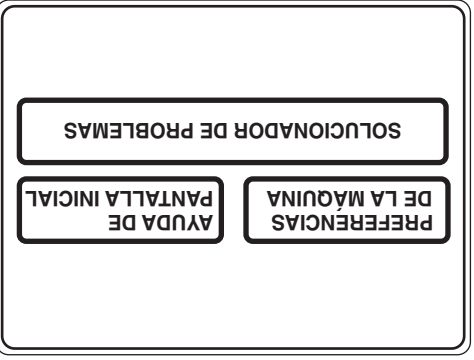
- 1 Presione el botón **HELP (AYUDA)**.
- 2 En la pantalla de tacto, seleccione **SOLUCIONADOR DE PROBLEMAS**.
- 3 En la pantalla de tacto, seleccione la descripción del problema en la lista. Usted puede usar las flechas en la parte derecha de la pantalla para buscar hacia arriba o hacia abajo a través de la lista de problemas adicionales.
- 4 En la pantalla de tacto, seleccione una causa posible del problema y siga las instrucciones en la pantalla para encontrar la solución.



Acerca de la funcion de ayuda

El botón **HELP (AYUDA)** le permitirá encontrar una lista para la identificación de problemas comunes de la secadora (Solucionador de problemas), encontrar ayuda sobre el uso de la pantalla inicial o ajustar las preferencias de la máquina.

Al presionar el botón **HELP (AYUDA)** mientras usted se encuentra en cualquier otra pantalla podrá encontrar información adicional sobre las funciones en esa pantalla. Presione **HELP (AYUDA)**; luego toque cualquier botón en la pantalla de tacto para una explicación de esa función. Para terminar esa función, presione **HELP (AYUDA)** una vez para regresar a la pantalla anterior o dos veces para terminar la función **HELP (AYUDA)**.



*Cómo
cambiar,
renombrar
o borrar un
“My Cycles”
(Mis ciclos)*

- Para cambiar los ajustes de un “My Cycles” (Mis ciclos) a partir de la pantalla inicial:**
- 1 Presione el botón **MY CYCLES (MIS CICLOS)**.
 - 2 Seleccione **CAMBIAR** del menú de la pantalla de tacto.
 - 3 Seleccione el nombre del ciclo a partir del menú de la pantalla de tacto.
 - 4 Cambie cualquier de los ajustes automáticos y seleccione cualquier opción.
 - 5 Seleccione **GUARDE EN MEMORIA** en la pantalla de tacto.
- Para borrar un “My Cycles” (Mis ciclos) de la pantalla inicial:**
- 1 Presione el botón **MY CYCLES (MIS CICLOS)**.
 - 2 Seleccione **BORRAR** del menú de la pantalla de tacto.
 - 3 Seleccione el nombre del ciclo a partir del menú de la pantalla de tacto.
 - 4 Escoja **SI** para borrar el ciclo o **CANCELAR** para regresar a la lista de “My Cycles” (Mis ciclos).
- Para renombrar un “My Cycles” (Mis ciclos) de la pantalla inicial:**
- 1 Presione el botón **MY CYCLES (MIS CICLOS)**.
 - 2 Seleccione **CAMBIO DE NOMBRE** del menú de la pantalla de tacto.
 - 3 Seleccione el nombre del ciclo a partir del menú de la pantalla de tacto.
 - 4 Usando el teclado en la pantalla de tacto, escriba el nombre de su “My Cycles” (Mis ciclos) y presione **OK**.

Acerca de
la función
"My Cycles"
(Mis ciclos)

La función "My Cycles" (Mis ciclos) le permite crear, guardar y reutilizar hasta 6 ciclos creados por el usuario. Cree sus propios ciclos desde el principio o cambie los ajustes de un ciclo de secado predefinido; luego guárdelos en la memoria para usarlos después a través de un toque de pantalla.

Como
crear y usar
"My cycles"
(Mis ciclos)

Usted puede crear "My Cycles" (Mis ciclos) de dos formas: modificando un ciclo de secado predefinido o creando un ciclo de su propia combinación de ajustes y opciones.

Para construir su propio "My Cycles" (Mis ciclos) a partir de la pantalla inicial:

- 1 Presione el botón **MY CYCLES (MIS CICLOS)**.
- 2 Seleccione **CREAR** en el menú de la pantalla de tacto.
- 3 Escoja si usted quiere cambiar un ciclo predefinido o crear un ciclo nuevo.
- 4 Si usted está modificando un ciclo predefinido, seleccione el ciclo de secado que usted desea cambiar.
- 5 Cambie cualquiera de los ajustes automáticos y seleccione cualquier opción.
- 6 Toque **GUARDE EN MEMORIA** en la pantalla de tacto.
- 7 Usando el teclado en la pantalla de tacto, escriba el nombre de "My Cycles" (Mis ciclos) y presione **OK**.

Para comenzar a usar su nuevo "My Cycles" (Mis ciclos) inmediatamente, selecciónelo del menú de la pantalla de tacto y presione **START (ARRANQUE)**.



Para guardar un ciclo actual como un "My Cycles" (Mis ciclos) de la pantalla resumen:

- 1 Después de escoger un ciclo de secado, o después de que un ciclo de secado se haya completado, presione el botón **MY CYCLES (MIS CICLOS)**.
- 2 Seleccione **GUARDAR MIS AJUSTES ACTUALES** del menú de la pantalla de tacto.
- 3 Usando el teclado en la pantalla de tacto, escriba el nombre de su "My Cycles" (Mis ciclos) y presione **OK**.

Para comenzar a usar su nuevo "My Cycles" (Mis ciclos) inmediatamente, selecciónelo del menú de la pantalla de tacto y presione **START (ARRANQUE)**.

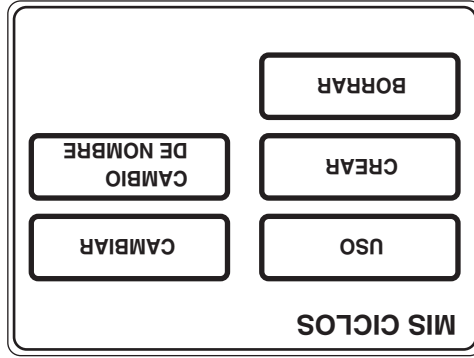
Para comenzar a usar su nuevo "My Cycles" (Mis ciclos) inmediatamente, selecciónelo del menú de la pantalla de tacto y presione **START (ARRANQUE)**.

Usted puede crear "My Cycles" (Mis ciclos) de dos formas: modificando un ciclo de secado predefinido o creando un ciclo de su propia combinación de ajustes y opciones.

Para construir su propio "My Cycles" (Mis ciclos) a partir de la pantalla inicial:

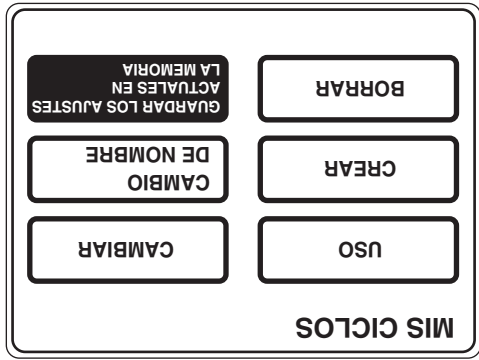
- 1 Presione el botón **MY CYCLES (MIS CICLOS)**.
- 2 Seleccione **CREAR** en el menú de la pantalla de tacto.
- 3 Escoja si usted quiere cambiar un ciclo predefinido o crear un ciclo nuevo.
- 4 Si usted está modificando un ciclo predefinido, seleccione el ciclo de secado que usted desea cambiar.
- 5 Cambie cualquiera de los ajustes automáticos y seleccione cualquier opción.
- 6 Toque **GUARDE EN MEMORIA** en la pantalla de tacto.
- 7 Usando el teclado en la pantalla de tacto, escriba el nombre de "My Cycles" (Mis ciclos) y presione **OK**.

Para comenzar a usar su nuevo "My Cycles" (Mis ciclos) a partir de la pantalla inicial:



Para usar "My Cycles" (Mis ciclos) a partir de la pantalla inicial:

- 1 Presione el botón **MY CYCLES (MIS CICLOS)**.
- 2 Seleccione **USO** del menú de la pantalla de tacto.
- 3 Seleccione el nombre del ciclo a partir del menú de la pantalla de tacto.
- 4 Cambie cualquiera de los ajustes automáticos y seleccione cualquier opción.
- 5 Presione **START (ARRANQUE)**.



Acerca de la pantalla del estado del ciclo

Después de que usted presione **START (ARRANQUE)**, la pantalla del estado del ciclo aparecerá para indicar en qué ciclo se encuentra la secadora y el tiempo que le falta para completar el ciclo.

SECANDO – La secadora está calentando y al mismo tiempo detectando el nivel de humedad de la carga. **DETECTANDO** – La secadora está detectando si se ha alcanzado el nivel correcto de secado para continuar o parar.

ENFRIANDO – La carga está seca y se puede sacar (la secadora continuará soplando aire frío hasta por 5 minutos).

GIRO PROLONGADO – La carga está seca y se puede sacar (el tambor giratorio continuará girando sin calentarse hasta por 20 minutos).

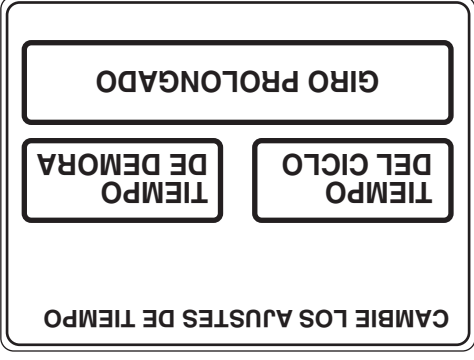


Como ajustar las opciones de tiempo

Usted puede ajustar las opciones de tiempo para el ciclo de secado, arranque demorado y extender el tiempo del giro prolongado. Toque el botón **TIEMPO** en la pantalla resumen, luego escoja el tiempo que usted desea ajustar.

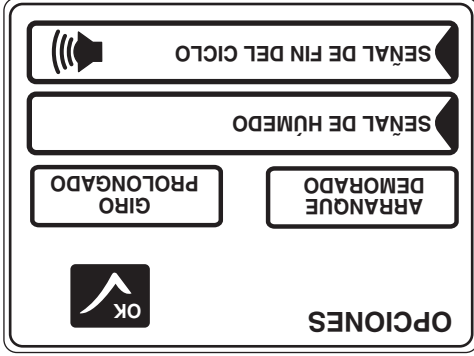
Para cambiar el tiempo del ciclo de secado, selección **TIEMPO DEL CICLO**; luego use las flechas para seleccionar el tiempo de secado. Si el Tiempo del ciclo se cambia, el sensor de sequedad se apagará.

Para cambiar el arranque demorado o el tiempo de giro prolongado, selección **TIEMPO DE DEMORA** o **GIRO PROLONGADO**; luego siga las instrucciones en la sección de *Acerca de las opciones de secado*.



Señal de fin del ciclo

La alerta de que el ciclo se ha finalizado. La ropa deberá sacarse cuando la señal se activa para que no se formen arrugas. Toque **SEÑAL DE FIN DEL CICLO** para seleccionar el volumen o para apagar la señal. El nuevo volumen se guardará como la selección predefinida.



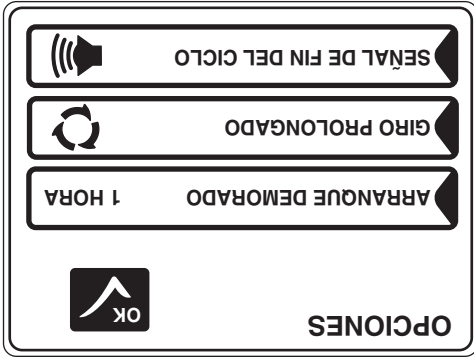
En algunos modelos

Acerca de las opciones de secado

Toque el botón de **OPCIONES** en la pantalla de tacto para seleccionar las opciones de secado. Después de seleccionar cualquier opción de secado, presione **OK** para guardar su selección.

Arranque demorado
Toque el botón **ARRANQUE DEMORADO** repetidas veces para ajustar un tiempo de demora de un máximo de hasta 12 horas. El tiempo de conteo regresivo se mostrará en la pantalla.

Giro prolongado
Minimiza las arrugas agregando aproximadamente 20 minutos de giro sin calor después que la ropa está seca. Toque **GIRO PROLONGADO** para encender o apagar la opción. Si se escoge, el giro prolongado se muestra en la pantalla. La secadora dará una señal por los primeros 6 minutos durante el giro prolongado.



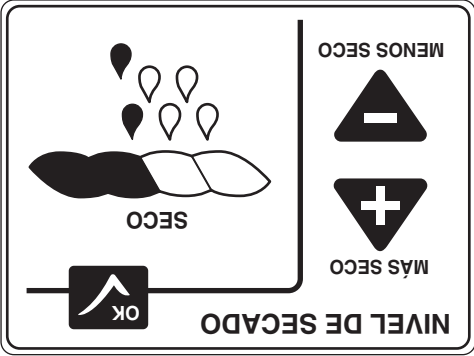
Acerca de la pantalla resumen

Después de seleccionar un ciclo de secado, la pantalla resumen muestra las opciones ajustadas automáticamente para el ciclo que usted escogió. Usted puede ajustarlos tocando la pantalla para cualquiera de las opciones mostradas. Si usted cambia cualquiera de los ajustes automáticos, usted puede guardar los nuevos ajustes como un "My Cycle" (Mis ciclos) de su elección presionando el botón de **MY CYCLES (MIS CICLOS)** mientras se encuentra en la pantalla resumen escogiendo **GUARDAR LOS AJUSTES ACTUALES EN LA MEMORIA**.



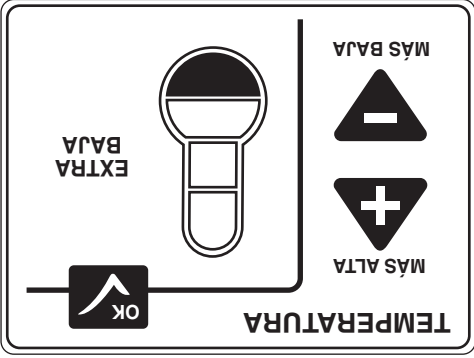
Cómo cambiar el nivel de secado

Para cambiar el nivel de secado, toque el botón de **NIVEL DE SECADO** en la pantalla de tacto, luego use las flechas para seleccionar el nivel de sequedad. Presione **OK** cuando usted haya alcanzado el nivel deseado. **MÁS SECO** - Usar para telas gruesas o artículos que deberían estar muy secos, tales como toallas. **SECO** - Usar para un nivel de secado normal adecuado para la mayoría de cargas. Este es el ciclo preferido para el ahorro de energía. **MENOS SECO** - Usar para telas ligeras. **HÚMEDO** - Usar para dejar los artículos parcialmente húmedos.



Cómo cambiar la temperatura de secado

Para cambiar la temperatura de secado, toque el botón **TEMP** en la pantalla de tacto; luego use las flechas para seleccionar una temperatura menor o mayor. Presione **OK** cuando haya alcanzado el ajuste deseado. **ALTA** - Para telas de algodón regulares o gruesas. **MEDIANA** - Para artículos sintéticos, mezclados y etiquetados para planchado permanente. **BAJA** - Para artículos delicados, sintéticos y etiquetados "Tumble Dry Low" (Secado con giro a baja temperatura). **EXTRA BAJA** - Para artículos delicados, ropa interior femenina y telas de cuidado especial. **SECADO CON AIRE** - Para girar artículos sin calentarlos.



Ciclos de la secadora

GEAppliances.com

Si la pantalla de tacto está apagada, presione POWER (ENCENDER) o toque la pantalla para acceder al menú de ciclos de secado. Los ajustes de ciclos preliminares están basados en tipos de carga comunes. Cuando lave, siempre siga las instrucciones en la etiqueta del fabricante para el cuidado de su ropa.

Secado por el tipo de tela

Seleccione Por TELA para secar cargas clasificadas por el tipo de tela.
LOS CICLOS POR TELA incluyen:

- Mezclas (en algunos modelos)
- Cuidado fácil (en Sedas (lavables))
- Algodones
- Delicados
- Poliéster



Secado por el tipo de prenda

Seleccione Por PRENDA para secar las cargas clasificadas por el tipo de ropa.
LOS CICLOS POR PRENDA incluyen:

- Ropa deportiva
- Blusas
- Delicados
- Camisas de vestir
- Cuidado fácil
- Ropa diaria / Casual
- Chaquetas / Abrigos
- Jeans
- Kakis
- Tejidos
- Ropa interior femenina
- Prendas mezcladas
- Ropa de jugar
- Suéteres
- Trajes de baño
- Ropa interior
- Sedas / Rayón (lavables)



Secado usando los ciclos especiales

Seleccione CICLOS ESPECIALES para secar cargas de artículos que no son ropa, o para secar usando la rejilla, o para secar con giro a baja temperatura o con aire.
LOS CICLOS ESPECIALES incluyen:

- Secado con aire
- Cobijas (Algodón)
- Cobijas (Otros)
- Edredón
- Desarrugar
- Dryer™
- Camita para mascotas (lavables)
- Almohadas (Lavables)
- Secado con rejilla
- Tapetes (lavables)
- Toallas
- Calentar
- Medias/brassiers (con bolsa de malla)
- Sabanas
- Tennis
- Lanas lavables



Secado usando tiempo

Seleccione SECADO CON TIEMPO para escoger su propio tiempo de secado. El secado con tiempo también se recomienda para cargas pequeñas.

1 Presione SECADO CON TIEMPO.

2 Use las flechas para escoger la cantidad de tiempo, luego presione OK.

3 Use las flechas para escoger la temperatura, luego presione OK.
4 Presione START (ARRANQUE).



Para comenzar

Si la pantalla muestra **POWER** oscura,

(**ENCENDER**) o la pantalla de tacto para tener acceso al menú de ciclos de secado.

- 1 Limpie el filtro de pelusas.
- 2 Agregue ropa. **No sobrecargue.** Esto desperdicia energía y promueve las arrugas.
- 3 Seleccione uno de los cinco métodos de secado en la pantalla inicial (Home):

- Presione **POR PRENDA** para secar de acuerdo al tipo de tela.
- Presione **POR TELA** para secar de acuerdo al tipo de tela.
- Presione **CICLOS ESPECIALES** para secar artículos que no sean prendas de vestir, para secar sin calentar o para secar usando la rejilla de secado.

- Presione **SECADO CON TIEMPO** para especificar un tiempo y una temperatura de secado.
- Presione **CICLO RECOMENDADO DE LAVADO** para transferir la información que fue enviada por la lavadora a la secadora.

- 4 Cambie cualquiera de los ajustes automáticos, si lo desea, presionando la pantalla de tacto y siga las instrucciones en la pantalla.

- Cambiar el nivel de secado
- Cambiar la temperatura de secado
- Colocar un Ataque demorado o Giro prolongado, o cambiar el volumen de la señal de Fin del ciclo
- Cambiar los ajustes de tiempo

- 5 Cierre la puerta y presione **START (ARRANQUE)**. La secadora no operará si la puerta no está cerrada.

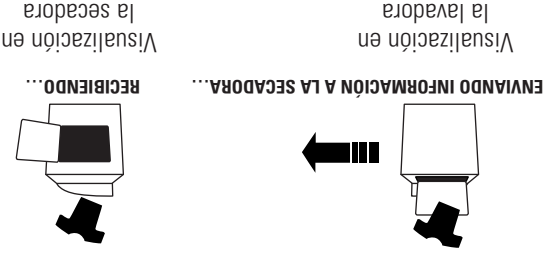
Ciclos comunicados

de la lavadora

Si las funciones de Comunicación de la Lavadora / Secadora de su lavadora y su secadora están en ON (ENCENDIDO), su secadora recibirá información de ciclo desde su lavadora para crear un ciclo de secado que corresponda con la carga de lavado. Después de que el ciclo de lavado haya finalizado, la comunicación comienza una vez se active la pantalla de tacto de la lavadora o la secadora.

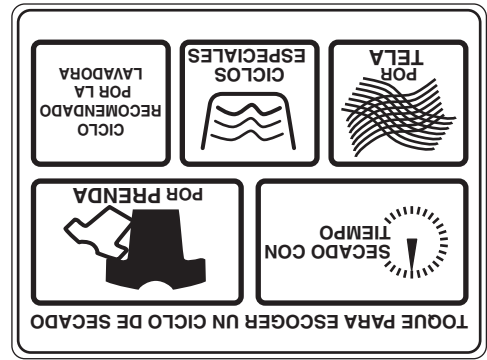
Una vez se reciba la información, su secadora entonces crea el ciclo de secado óptimo para su carga. Entonces usted puede cambiar cualquier ciclo automático, conforme desee.

NOTA: Para algunos ciclos de lavado comunicados, su secadora le pedirá que seleccione el **TIPO DE TELA**. Ver "Ajustes finales" en las Instrucciones de instalación para informarse de cómo conectar el cable serial para la comunicación entre la Lavadora / Secadora.

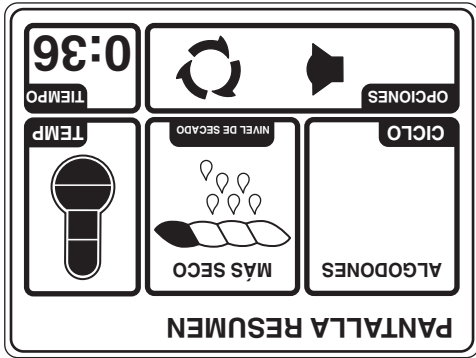


Como iniciar

GEAppliances.com



Pantalla Inicial

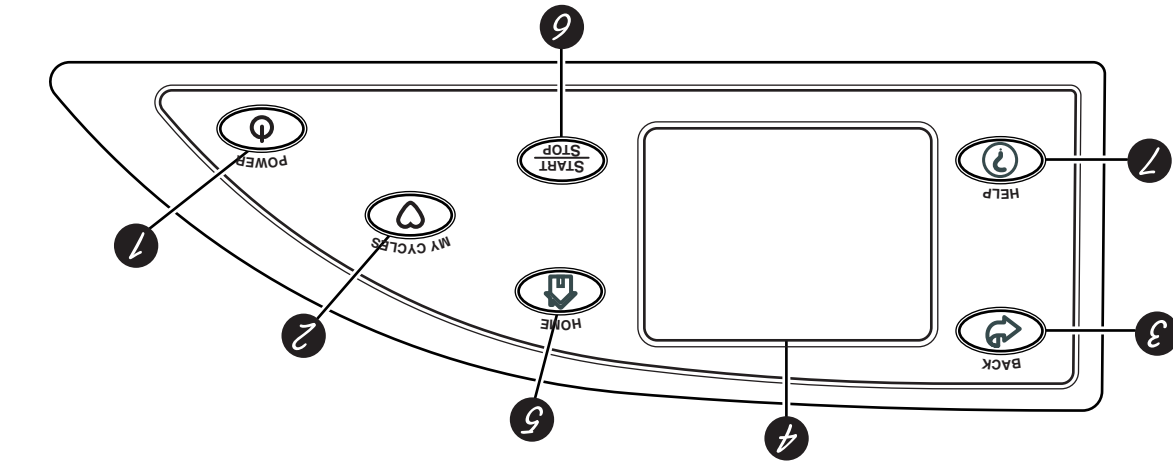


Funciones del tablero de control de su secadora

¡ADVERTENCIA!

Para reducir el riesgo de incendio o lesiones personales, lea las INSTRUCCIONES IMPORTANTES DE SEGURIDAD antes de operar este electrodoméstico.

A lo largo de este manual, las funciones y la apariencia podrían ser diferentes a su modelo.



- 1 **POWER (ENCENDER).** Presione para "encender" la pantalla. Si la pantalla está activa, presione para colocar la secadora en el modo de alerta (Standby). Usted también puede presionar la pantalla de tacto o cualquier botón para encender la pantalla.
 - NOTA:** Presionar **POWER (ENCENDER)** no desconecta el electrodoméstico del suministro eléctrico.
 - 2 **MY CYCLES (MIS CICLOS).** Presione para usar, crear, cambiar el nombre, cambiar o borrar ciclos de secado creados.
 - 3 **BACK (REGRESAR).** Presione para regresar a la pantalla anterior.
 - 4 **TOUCH SCREEN (PANTALLA DE TACTO).** Presione los gráficos en la pantalla interactiva para usar las funciones de la secadora.
 - No intente usar objetos filosos para presionar la pantalla de tacto.
 - NOTA:** Si la secadora está inactiva por 5 minutos, la pantalla de tacto cambiará al modo de alerta (Standby) y se apagará. Presione la pantalla de tacto o cualquier otro botón para encender la pantalla.
 - 5 **HOME.** Presione para regresar a la pantalla de "TOQUE PARA ESCOGER un CICLO de SECADO" (pantalla inicial).
 - 6 **START/STOP (ARRANQUE/ PARAR).** Presione para comenzar un ciclo de secado. Si la secadora está activada, presionarlo otra vez pondrá en pausa la secadora. Presione otra vez para reiniciar el ciclo de secado.
 - NOTA:** Si la secadora es pausada y el ciclo no es reiniciado dentro de una hora, la secadora entrará al modo de alerta (Standby) y el ciclo actual de secado se cancelará.
 - 7 **HELP (AYUDA).** Presione para escoger las preferencias de la máquina, para encontrar ayuda usando la pantalla de tacto o para encontrar ideas para la identificación y solución de problemas comunes de la secadora.
- No intente usar objetos filosos para presionar la pantalla de tacto.
- NOTA:** Si la secadora está inactiva por 5 minutos, la pantalla de tacto cambiará al modo de alerta (Standby) y se apagará. Presione la pantalla de tacto o cualquier otro botón para encender la pantalla.

INSTRUCCIONES IMPORTANTES DE SEGURIDAD LEA TODAS LAS INSTRUCCIONES ANTES DE USAR.

⚠️ ¡ADVERTENCIA! *Por su seguridad, debe seguir las indicaciones de este manual para minimizar el riesgo de incendio o explosión, descarga eléctrica, o para evitar daños a la propiedad, lesiones personales, o muerte.*

CUANDO USE SU SECADORA (Cont.)

- Nunca intente, operar este electrodoméstico si está dañado, si no funciona bien, si está parcialmente desarmado, o si le faltan partes o estas están rotas, incluyendo daños al cable eléctrico.
- El interior de la máquina y la conexión del tubo de escape en el interior de la secadora se deben limpiar por lo menos una vez al año por parte de un técnico calificado. Ver la sección Como usar la secadora.
- Si su secadora es de gas, esta está equipada con un encendido eléctrico automático y no necesita una luz piloto. **NO INTENTE ENCENDERLA CON UN FOSFORO.** Podrían resultar quemaduras por tener su mano en las cercanías del quemador cuando el encendido eléctrico automático comience.
- Es posible que usted desee suavizar su ropa o reducir la electricidad estática en ella usando una toalla suavizante para secadora o un acondicionador antiestático. Recomendamos que usted use un suavizante de telas en el ciclo de lavado, de acuerdo con las instrucciones del fabricante para estos productos, o trate un producto en el que el fabricante le proporcione una garantía escrita en el paquete especificando que es seguro para usar en las secadoras. Los problemas de servicio o de rendimiento causados por estos productos son responsabilidad de los fabricantes de estos productos y no están cubiertos por la garantía de este electrodoméstico.

CUANDO NO SE ENCUENTRE USANDO SU SECADORA

- Cuando desconecte este electrodoméstico, agarre el enchufe firmemente para evitar daños al cable eléctrico mientras lo hale. Coloque el cable eléctrico en un lugar alejado de las áreas de tráfico para que nadie lo pise, tropiece o lo pueda dañar.
- No intente hacer reparaciones o reemplazar ninguna parte de este electrodoméstico ni intente llevar a cabo ningún tipo de servicio a no ser que lo recomiende el Manual del propietario o instrucciones publicadas que usted entienda y tenga la habilidad de llevar a cabo.
- Antes de desenchufar esta secadora o removerla para darle servicio, remueva la puerta de la secadora para evitar que algún niño se esconda en su interior.
- No intente alterar los controles.

LEA Y SIGA ESTA INFORMACIÓN DE SEGURIDAD CON MUCHO CUIDADO. GUARDE ESTAS INSTRUCCIONES.

INSTRUCCIONES IMPORTANTES DE SEGURIDAD LEA TODAS LAS INSTRUCCIONES ANTES DE USAR.

!ADVERTENCIA! Por su seguridad, debe seguir las indicaciones de este manual para minimizar el riesgo de incendio o explosión, descarga eléctrica, o para evitar daños a la propiedad, lesiones personales, o muerte.

CUANDO USE SU SECADORA

- Nunca introduzca sus manos en el interior de la secadora mientras el tambor giratorio esté moviéndose. Antes de agregar y sacar ropa, espere hasta que el tambor giratorio se haya detenido.
- Limpie el filtro de pelusas antes de cada carga para evitar la acumulación de pelusas en el interior de la secadora o en la habitación. **NO OPERE LA SECADORA SIN EL FILTRO DE PELUSAS EN SU LUGAR.**
- No lave o seque artículos que se hayan limpiado, lavado, remojado o sabido con sustancias combustibles o explosivas (tales como cera, aceite, pintura, gasolina, desengrasadores, solventes de tintorería, keroseene). Estas sustancias producen vapores que podrían incendiarse o explotar. No agregue estas sustancias al agua de lavado. No use ni coloque estas sustancias alrededor de la lavadora o secadora durante su uso.
- No coloque artículos expuestos a aceite de cocinar en la secadora. Los artículos contaminados con aceites de cocinar podrían contribuir a formar una reacción química que podría causar que una carga de ropas se incendie.
- Cualquier artículo sobre el cual usted usó un solvente de limpieza o que contenga materiales inflamables (tales como paños de limpieza, trapadores, toallas usadas en salones de belleza, restaurantes o barberías) no se deben colocar en el interior o en las proximidades de la secadora hasta que los solventes o líquidos inflamables se hayan removido. Existen muchos artículos inflamables en el hogar tales como la acetona, el alcohol, la gasolina, el keroseene, algunos limpiadores, algunos quitamanchas, aguarás, trenaquina, ceras, removedores de cera y productos que contienen derivados del petróleo.
- Para minimizar la posibilidad de una descarga eléctrica, desconecte este electrodoméstico de su tomacorriente o desconecte la secadora del panel de distribución eléctrica del edificio removiendo el fusible o desconectando el circuito antes de dar cualquier tipo de mantenimiento o limpieza (con la excepción de remover y limpiar el filtro de la pelusa). **NOTA:** Presionar STOP (PARAR) o POWER (ENCENDER) no desconecta el electrodoméstico del tomacorriente.
- El proceso de lavado puede reducir la habilidad de retardar la flammabilidad de algunas telas. Para evitar tal resultado, siga las instrucciones del fabricante de las telas con mucho cuidado.
- No seque artículos que contengan goma, plástico, espuma o materiales similares tales como sostenes (brasieres) con relleno, gancho de goma, alfombras de baño, baberos de niño, pantalones de niño, bolsas plásticas y almohadas que se puedan derretir o quemar. Algunos materiales gomosos, cuando se calientan, bajo ciertas circunstancias podrían incendiarse por combustión espontánea.
- Durante su operación, no almacene encima de la secadora plásticos, papel o ropa que se puedan quemar o derretir.
- Las prendas de vestir etiquetadas "Dry away from heat" (Secar alejadas del calor) o "Do not tumble dry" (No secar por giro)—tales como chaquetas salvavidas que contienen capoc—no se deben colocar en su secadora.
- No seque artículos de fibra de vidrio en su secadora. Esto podría ocasionar irritación en la piel debido a las partículas restantes que se podrían adherir a la ropa durante usos subsiguientes de la secadora.
- Para minimizar la posibilidad de una descarga eléctrica, desconecte este electrodoméstico de su tomacorriente o desconecte la secadora del panel de distribución eléctrica del edificio removiendo el fusible o desconectando el circuito antes de dar cualquier tipo de mantenimiento o limpieza (con la excepción de remover y limpiar el filtro de la pelusa). **NOTA:** Presionar STOP (PARAR) o POWER (ENCENDER) no desconecta el electrodoméstico del tomacorriente.

INSTRUCCIONES IMPORTANTES DE SEGURIDAD LEA TODAS LAS INSTRUCCIONES ANTES DE USAR.

!ADVERTENCIA! Por su seguridad, debe seguir las indicaciones de este manual para minimizar el riesgo de incendio o explosión, descarga eléctrica, o para evitar daños a la

INSTALACIÓN APROPIADA

Antes de usarse, la secadora se debe instalar apropiadamente de acuerdo con las Instrucciones de instalación. Las Instrucciones de instalación se incluyen en la parte posterior de este manual.

Escape/Ductos:

- 1 Las secadoras de gas **DEBEN** tener un escape hacia el exterior.
 - 2 Es altamente recomendado que las secadoras tengan un escape hacia el exterior para evitar que grandes cantidades de humedad y pelusas vuelen hacia adentro de la habitación.
 - 3 Solamente use ductos de metal rígido de 4" de diámetro dentro de la secadora. **EL USO DE DUCTOS ELÁSTICOS U OTROS DUCTOS DE MATERIALES COMBUSTIBLES PODRÍA CAUSAR UN INCENDIO. LOS DUCTOS PERFORADOS PODRÍAN CAUSAR UN INCENDIO SI COLAPSAN O SI OCURRE ALGUNA OBSTRUCCIÓN DURANTE EL USO O DURANTE LA INSTALACIÓN.**
- Conecte la secadora a tierra de manera apropiada que cumpla con todos los códigos y ordenanzas reguladoras. Siga con cuidado las Instrucciones de instalación.
- Instalela o almacénela donde no esté expuesta a temperaturas por debajo del punto de congelación o expuesta a la intemperie.
 - Conecte a un tomacorriente del tamaño y del calibre apropiados para evitar una sobrecarga eléctrica.
 - Renueve todos los objetos de empaquetado y deshágase apropiadamente de todos los materiales de envío.

SU ÁREA DE SECADO

- Mantenga el área debajo y alrededor de sus electrodomésticos libre de materiales combustibles (pelusas, papel, trapos, etc.), gasolina, productos químicos y otros líquidos y vapores inflamables.
- Mantenga el piso alrededor de sus electrodomésticos limpios y secos para reducir la posibilidad de un accidente.
- Supervise a los niños en caso de que ellos usen la secadora o jueguen cerca de ella durante su operación. No permita que los niños jueguen con la secadora, en su interior, sobre ella o ningún otro electrodoméstico.
- Mantenga el área alrededor de la salida de escape y las áreas adyacentes libres de pelusas, polvo y suciedad que se acumulen.
- Mantenga todos los artículos de limpieza (tales como detergentes y blanqueadores) fuera del alcance de los niños, preferiblemente encerrados en un gabinete. Ponga atención a las advertencias en las etiquetas de los envases para evitar accidentes.
- Nunca trepe ni se ponga de pie sobre la parte superior de la secadora.

INSTRUCCIONES IMPORTANTES DE SEGURIDAD LEA TODAS LAS INSTRUCCIONES ANTES DE USAR.

!ADVERTENCIA! *Por su seguridad, debe seguir las indicaciones de este manual para minimizar el riesgo de incendio o explosión, descarga eléctrica, o para evitar daños a la propiedad, lesiones personales, o muerte.*

- No almacene ni use gasolina u otros vapores inflamables y líquidos en las proximidades de este o cualquier otro electrodoméstico.
- La instalación y el servicio lo deben llevar a cabo un instalador calificado, la agencia de servicio o el proveedor de gas.

QUE HACER SI USTED HUELLE GAS:

- 1 No intente encender un fósforo, o un cigarrillo, o encender cualquier electrodoméstico eléctrico o de gas.
- 2 No toque ningún interruptor eléctrico; no use ningún teléfono en el edificio.
- 3 Desocupe el habitación, edificio o área afectada.
- 4 Llame inmediatamente a su proveedor de gas usando el teléfono de algún vecino. Siga las instrucciones del proveedor de gas cuidadosamente.
- 5 Si usted no puede ponerse en contacto con su proveedor de gas, llame al departamento de bomberos.

Decreto para hacer cumplir las leyes sobre tóxicos y agua potable de California

Este decreto requiere que el Gobernador de California publique una lista de las sustancias que el estado sabe que causan cáncer, defectos de nacimiento y otros daños reproductivos y requiere que los comerciantes le adviertan a sus consumidores sobre el potencial de exposición a tales sustancias.

Los electrodomésticos de gas pueden causar la exposición a cuatro de estas sustancias, concretamente benceno, monóxido de carbono, formaldehído y hollín, principalmente causados por la combustión incompleta del gas natural o de combustibles LP.

Cuando las secadoras están ajustadas apropiadamente, se minimiza la combustión incompleta. La exposición a estas sustancias puede minimizarse aún más ventilando apropiadamente la secadora hacia el exterior.



Secadoras Profile

Instrucciones de seguridad ... 2-5

Instrucciones de operación

Ayuda 13, 14

Ciclos de la secadora 8

Cómo iniciar 7

Cómo usar la secadora 16, 17

Funciones de la secadora 15

"My cycles" (Mis ciclos) 11, 12

Pantalla resumen 9, 10

Solucionador de problemas 13

Tablero de control de la secadora 6

Instrucciones de instalación

Ajustes finales 33, 34

Antes de comenzar 18-20

Cómo cambiar el sentido de apertura de la puerta 35, 36

Cómo conectar una secadora eléctrica 25-27

Cómo conectar una secadora de gas 21-24

Cómo instalar el escape de la secadora 28-32

Cómo intercambiar los tableros de la lavadora y la secadora 37-40

Solución a problemas comunes 41

Servicio al consumidor

Servicio al consumidor 44

Garantía 43

Escriba el modelo y los números de serie aquí:

No. de modelo _____

No. de serie _____

Estos números se encuentran en una etiqueta en la parte posterior de la puerta de la secadora.

Manual del propietario e instrucciones de instalación
DPGT750