

# GSD2400N GE® Built-In Dishwasher

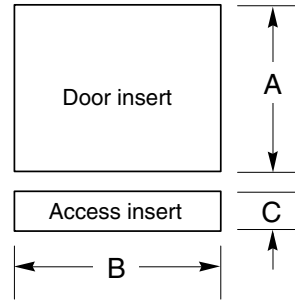
## Dimensions and Installation Information (in inches)

### Electrical Rating

Voltage AC.....	120
Hertz.....	60
Total connected load amperage.....	6.2
Calrod® heater watts max.....	500

For use on adequately wired 120-volt, 15-amp circuit having 2-wire service with a separate ground wire. This appliance must be grounded for safe operation.

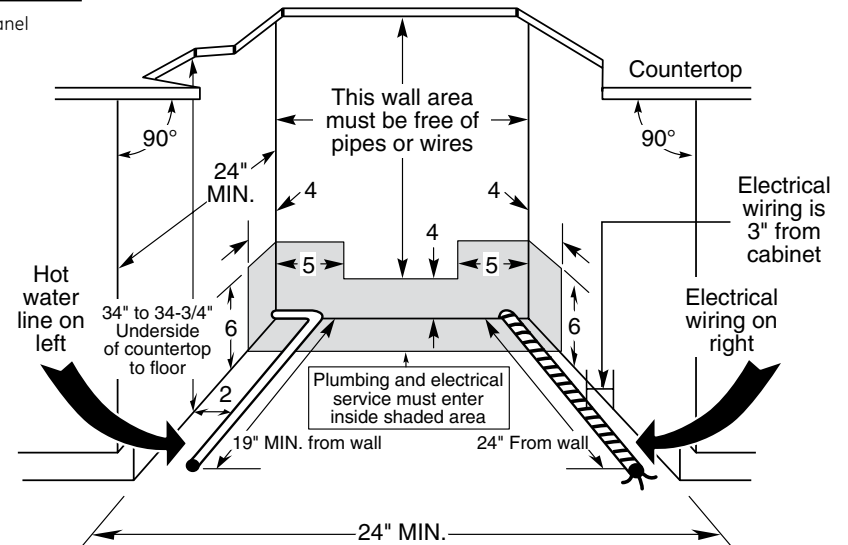
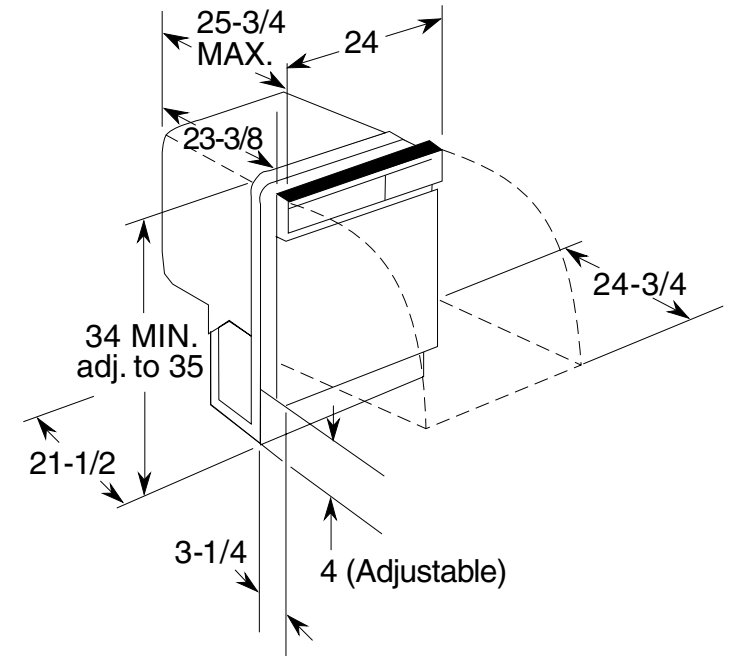
**Note:** Dishwasher must not be installed more than 10 feet from sink for proper drainage. All plumbing and electrical work must be in accordance with local codes.



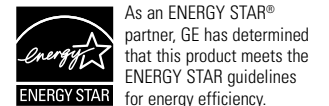
Kit	A	B	C	Panel Thickness
GPF325	18-7/8"	23-9/16"	3-11/16"	1/4"
GPF375	18-15/16"	23-5/8"	4-1/4" to 3-3/4"***	3/4"

\* Bottom of panel must be notched 1-1/2" x 1/2" to clear across panel

\*\* Adjustment required to match adjacent cabinet fronts due to leveling leg adjustment, 4" nominal



For answers to your Monogram®, GE Profile™ or GE® appliance questions, visit our website at [ge.com](http://ge.com) or call GE Answer Center® service, 800.626.2000.

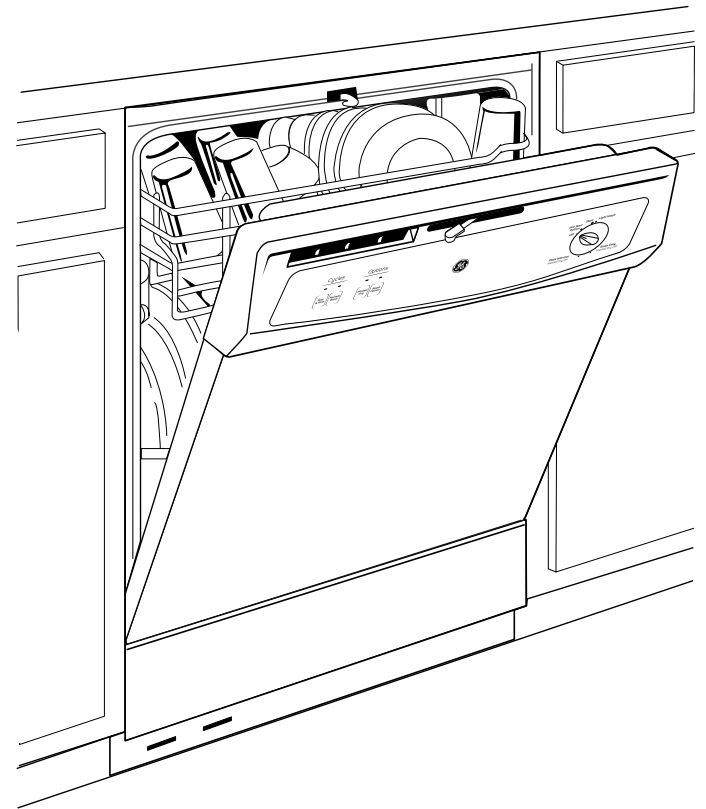


# GSD2400N

## GE® Built-In Dishwasher

### Features and Benefits

- Meets 2007 ENERGY STAR® Criteria - Can reduce utility bill by using less water to get dishes clean
- 4-level PowerScrub™ wash system - Four wash levels quietly and efficiently scrub dishes clean
- HotStart™ Option - Preheats water before the main wash cycle for dependable performance every time
- Piranha™ Hard Food Disposer - Grinds leftover food into small particles that are easily washed away
- Pots and Pans Cycle - Scours off baked-on food with a wall of water
- Heated Dry Option - Circulates warm air to quickly and gently dry dishes
- Plate Warmer cycle - Gently warms dinner plates for serving food at the optimal temperature
- Model GSD2400NWW - White on white
- Model GSD2400NBB - Black on black



imagination at work