

# WDSR2120J

## GE® Super 3.2 Cu. Ft. Capacity Washer

### Dimensions and Installation Information (in inches)

**Circuit Requirements:** An individual, properly-grounded branch circuit, with a three-prong grounding-type receptacle, protected by a 15 or 20 amp circuit breaker or a time-delay fuse, is required.

**Electrical Rating:**

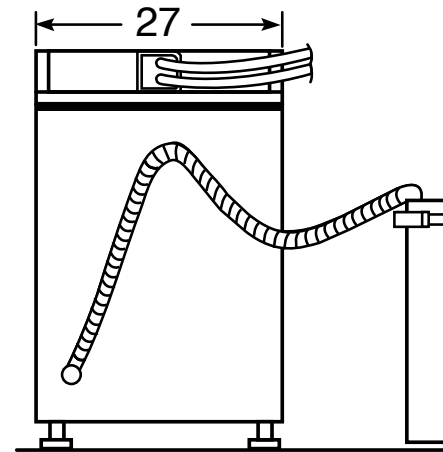
120V, 60Hz

**Washer Note:**

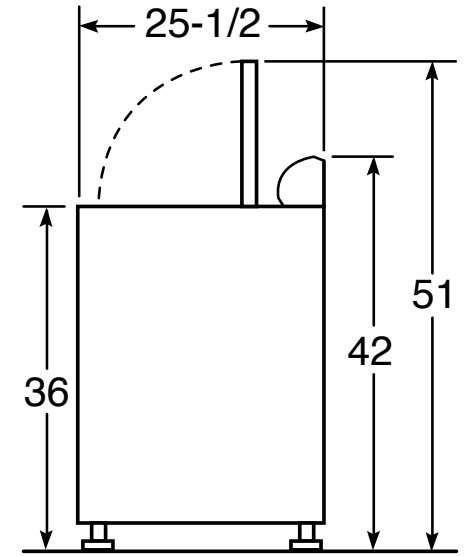
Washer wall outlet must be located within 36" of service cord entry.  
Wall outlet must not be located behind dryer.

**Installation Information:**

Before installing, consult installation instructions packed with your washer.



Rear View



Side View

For answers to your Monogram®, GE Profile™ or GE® appliance questions, visit our website at [ge.com](http://ge.com) or call GE Answer Center® service, 800.626.2000.



imagination at work



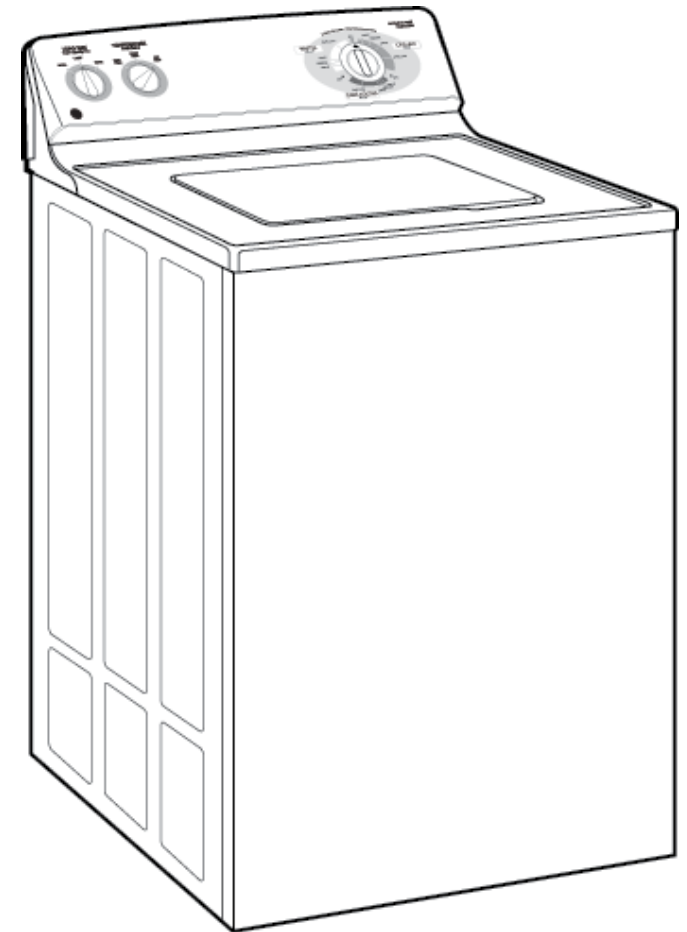
Listed by  
Underwriters  
Laboratories

# WDSR2120J

## GE® Super 3.2 Cu. Ft. Capacity Washer

### Features and Benefits

- 3.2 Cu. Ft. Super PermaTuf® II Wash Basket - Designed to maintain a long-lasting stain-free appearance with bright white interior
- Two Pulsed Wash/spin Speed Combinations - Alternate between high and low speeds for better clothes care
- 12 Wash Cycles - A dozen ways to clean dozens of fabrics
- Three Wash/rinse Temperatures - Offer better wash results and longer fabric life
- Three Water Levels - Minimize water waste
- Rinse and Spin - A fast, convenient way to remove odors and residue from items like swimsuits and towels
- Casuals Cycle - Provides settings from heavy to light casual clothing
- 630 RPM Spin Speed - Extracts more water for less drying time
- One-Speed Motor - Offers reliable, consistent washing performance
- Quiet-By-Design™ - Engineered for quiet operation
- Model WDSR2120JWW - White on white



imagination at work