

Installation Instructions

Microwave Oven Built-In Trim Kits

JX827

Questions? Call 1-800-561-3344 or Visit our Website at: www.GEAppliances.ca

BEFORE YOU BEGIN

Read these instructions completely and carefully.


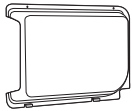

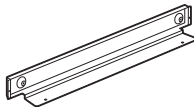

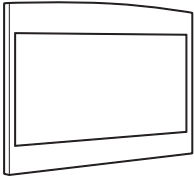

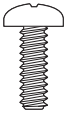
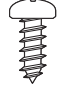
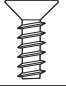

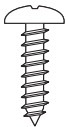
- **IMPORTANT** – Save these instructions for local inspector's use.
- **IMPORTANT** – Observe all governing codes and ordinances.
- **Note to Installer** – Be sure to leave these instructions with the Consumer.
- **Note to Consumer** – Keep these instructions for future reference.
- **Skill level** – Installation of this appliance requires basic mechanical and electrical skills.
- **Completion time** – 1 to 3 hours
- Proper installation is the responsibility of the installer.
- Product failure due to improper installation is not covered under the Warranty.
- This kit is for use on models: JEM25WMC, PEM31BMC, PEM31WMC and PEM31SMC.
- This kit is cUL listed for installation alone or over any GE/GE Profile single electric wall oven.
- For easier installation and personal safety, we recommend that two people install this microwave oven.
- Unplug the microwave oven before attempting installation of this kit.

⚠ WARNING! This oven must be plugged into a properly grounded 3-hole, 120 volt receptacle as required by the National Electrical Code.

FOR YOUR SAFETY:

⚠ WARNING! Before beginning the installation, switch power off at service panel and lock the service disconnecting means to prevent power from being switched on accidentally. When the service disconnecting means cannot be locked, securely fasten a prominent warning device, such as a tag, to the service panel.

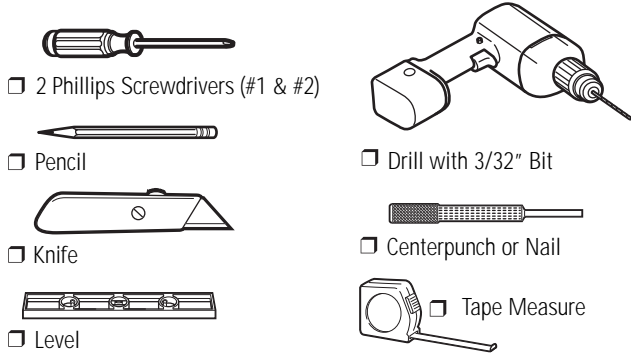
PARTS INCLUDED

PARTS		QUANTITY
	<input type="checkbox"/> Base Pan	1
	<input type="checkbox"/> Back Cover	1
	<input type="checkbox"/> Side Bracket	1
	<input type="checkbox"/> Upper Bracket	1
	<input type="checkbox"/> Bottom Bracket	1
	<input type="checkbox"/> Trim Kit	1
	<input type="checkbox"/> Base Support Brackets	2
	<input type="checkbox"/> 5 mm x 10 mm Screw A	2 required 2 extra
	<input type="checkbox"/> 4 mm x 10 mm Screw B	1 required 2 extra
	<input type="checkbox"/> 4 mm x 12 mm Screw C	4 required 2 extra
	<input type="checkbox"/> 4 mm x 10 mm Screw D	10 required 2 extra
	<input type="checkbox"/> 4 mm x 16 mm Screw E	4 required 2 extra

Note: This kit has extra screws to prevent the technician from spending extra time locating a replacement in case they lose one during installation.

Installation Instructions

TOOLS YOU WILL NEED



CUTOUT DIMENSIONS

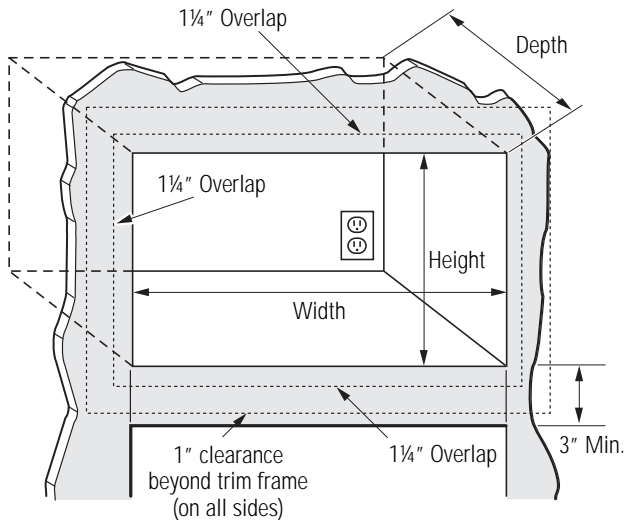
Allow 1/4" for the overlap of the Microwave Oven Trim Kit over all the edges of the cutout.

Dimension	Trim Kit	Cutout
Height	16 3/4"	15 ± 1/16"
Width	26 1/4"	24 7/8 ± 1/16"

Min. depth with receptacle outside cutout – 16"

Min. depth with receptacle inside cutout – 18"

120 volt "C 60 Hertz grounded power receptacle.



⚠ WARNING! This trim kit uses air flow from the top, bottom and sides of the trim frame. Blocking the air flow can cause the microwave to function improperly and may cause damage to the microwave.

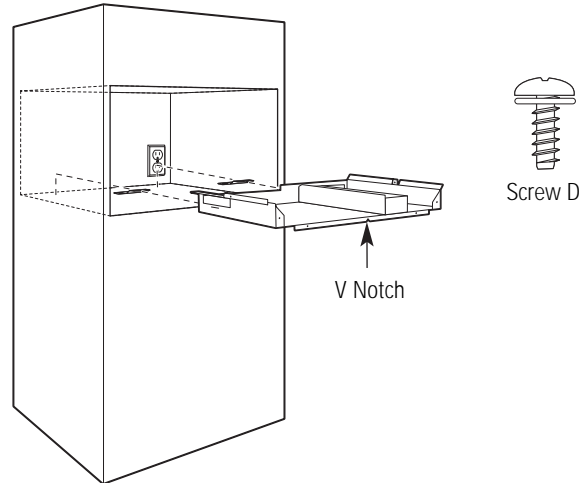
Allow a 1" clearance beyond the edge of the trim frame to provide proper air flow.

FOR INSTALLATION ABOVE A BUILT-IN OVEN:

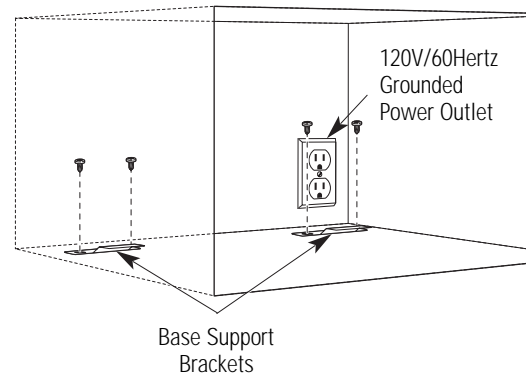
Microwave oven should be installed on a 3/8" plywood base and supported by 2 x 4 or 1 x 2 equivalent runners on all sides. Base must be capable of supporting a minimum of 100 lbs.

1 LOCATE AND INSTALL THE REAR HOLDDOWN SUPPORTS

- A** Set base pan into the front cabinet microwave oven cutout and center it right and left. Push back until the front flange is against the cabinet front wall. Using the V-notch in the base pan front flange, mark the location of the V-notch on the cabinet to use as a reference.



- B** Slide the two base support brackets from the rear into the slots in the base pan. The tongues of the base support brackets should protrude into the base, be centered in the slot, and be into the slot as far as they will go. Mark and drill four 3/32" diameter holes. Mount the base support brackets using four screws (D). Both base support bracket tongues should now be centered in the slotted holes in the base and be into the base as far as they can go.



1 Ft = 0.3 m
1" = 2.5 cm

Installation Instructions

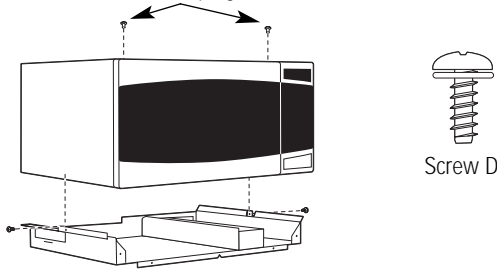
2 INSTALL THE BASE PAN

Disconnect the microwave oven from the receptacle. Remove everything out of the microwave oven, including packing, temperature probe, Owner's Manuals, turntable and turntable support. Remove the two top plug buttons from the top of the microwave oven cabinet. Use a knife to pry up the plug buttons, using care not to scratch the microwave oven. A clear protective film has been applied to some microwave ovens and trim kits. If applied, remove the film. Place the microwave oven on the base pan.

A Secure the base pan to the oven by inserting 2 screws (D).

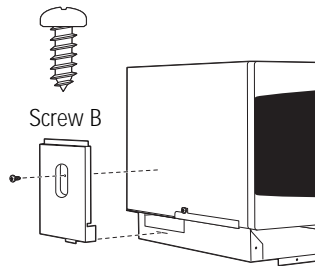
B Centered left to right.

Remove 2 front plug buttons



3 INSTALL THE SIDE BRACKET

Install by inserting the tab of the side bracket into the slot on the left side of the base pan, just below the bottom edge of the oven. Lift the side bracket up and into place against the side of the oven, and align the screw hole in the side bracket with the dimple in the oven. Carefully drive one screw (B) through the side bracket into the side of the oven, using a screwdriver or power drill. Be sure the side bracket is tight against the side of the oven.



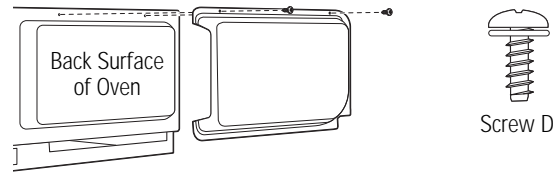
⚠ WARNING! If the Side Bracket is removed from the oven for usage without the trim kit, hazardous situations can be avoided by reinstalling Screw B into the hole between the louvers on the side of the oven.

⚠ WARNING! Do not use a drill bit to create the screw hole. This can damage the oven cavity and create an unsafe oven.

4 INSTALL THE BACK COVER

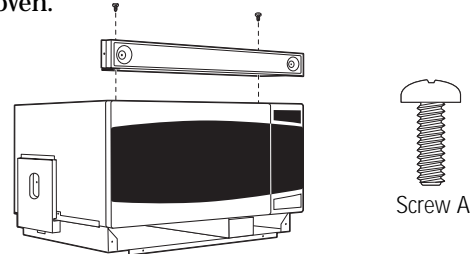
Use the tabs on the bottom of the back cover to place the back cover on the base pan at the bottom of the open slot (just below the bottom edge of the oven). Lift the back cover up and into place against the back surface of the oven, and align the screw holes. Drive two screws (D) through the back cover and into the back surface of the oven.

⚠ CAUTION! Start all screws before tightening any one screw.



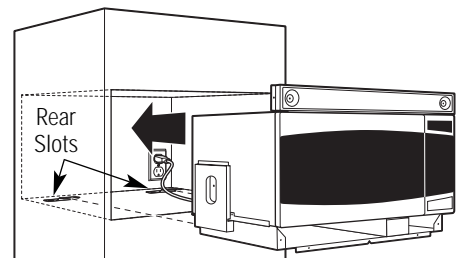
5 INSTALL THE TOP BRACKET

Install by placing the top bracket on the front edge of the top of the oven, and aligning the two screw holes. Drive two screws (A) through the top bracket, and into the top of the oven.



6 INSTALL THE MICROWAVE OVEN

Plug the power cord into the wall receptacle. Slide the microwave oven assembly gently into the cabinet, using care not to pinch the power cord. Be sure to keep the assembly centered as it slides back to where the tongue of the base support bracket goes through the rear slots. The top edges of the base pan should now be centered right to left in the opening. The base pan and top bracket front flange should be tight against the cabinet, and the V-notch should match up with the mark (made in Step 1) on the cabinet.

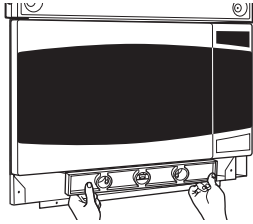


1 Ft = 0.3 m
1" = 2.5 cm

Installation Instructions

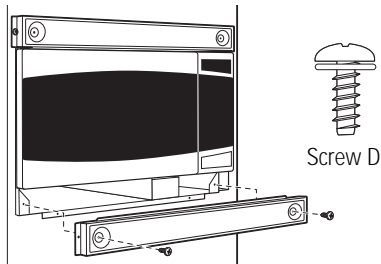
7 CHECK LEVELING

Check the leveling by placing a level at the front and sides of the microwave. It may be necessary to add wood shims under the bottom duct to level the microwave front-to-back or side-to-side.



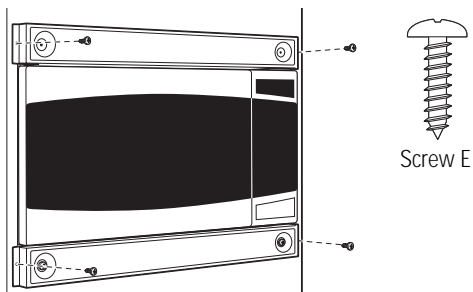
8 INSTALL THE BOTTOM BRACKET

Install by placing the bottom bracket on the front of the base pan and flush with the bottom of the oven. Align the two screw holes, and drive two screws (D) through the bottom bracket into the base pan.



9 SECURE THE TOP AND BOTTOM BRACKETS TO THE CABINET

Ensure the top and bottom bracket front flanges are tight against the cabinet, and that the screw holes are aligned. Drive 4 screws (E) through the top and bottom brackets into the cabinet.



1 Ft = 0.3 m
1" = 2.5 cm

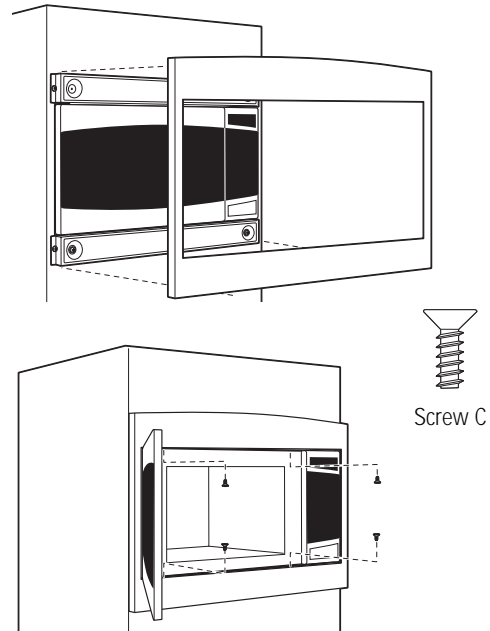
350A4502P609
49-40554

05-07 ATS
Printed In Malaysia

10 INSTALL THE TRIM KIT FRAME

- A Position the assembled Trim Kit frame around the oven.
- B Open the oven door, and locate the 4 screw holes (two on the top and two on the bottom edge of the door frame).
- C Secure the Trim Kit by driving four screws (C) through the oven into the Trim Kit.

! CAUTION! Start all screws before tightening any one screw. Do not overtighten screws since it can cause misalignment of top/side strips.



11 REPLACE ANY LOOSE ITEMS

- A Your trim kit is now fully installed. Replace the turntable and turntable support that was removed from inside the microwave oven.
- B Keep these installation instructions and extra screws for future reference and need. Do not place them in the microwave oven.
- C Replace the house fuse, or close the circuit breaker to restore power at the service panel.

! WARNING! If the Side Bracket is removed from the oven for usage without the trim kit, hazardous situations can be avoided by reinstalling Screw B into the hole between the louvers on the side of the oven.

**READ CAREFULLY.
KEEP THESE INSTRUCTIONS**