

CS980ST

GE Café™ Series 30" Free-Standing Radiant Range with Baking Drawer

Dimensions and Installation Information (in inches)

Receptacle Locations

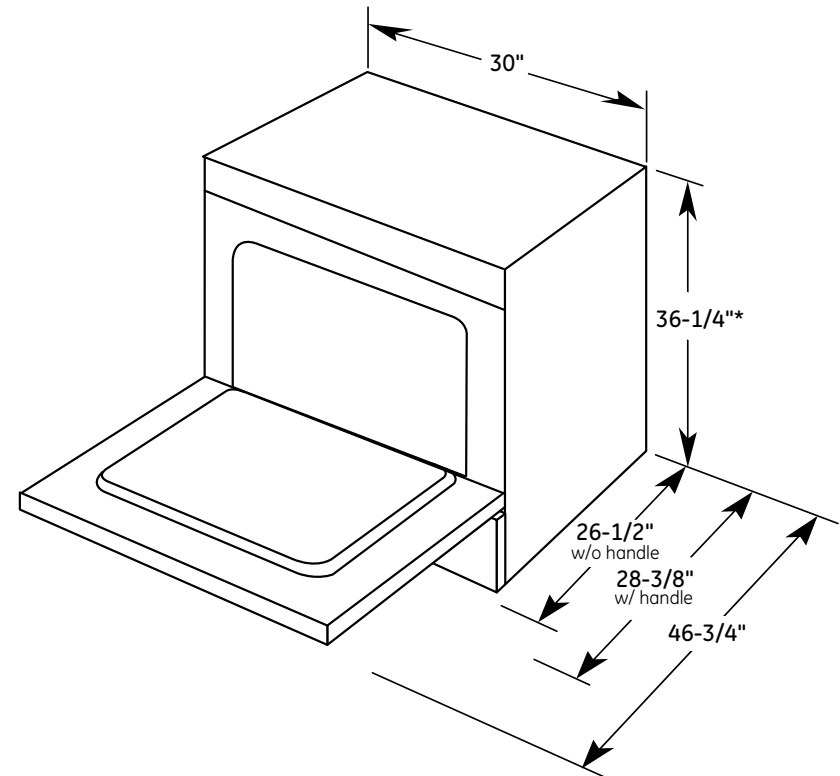
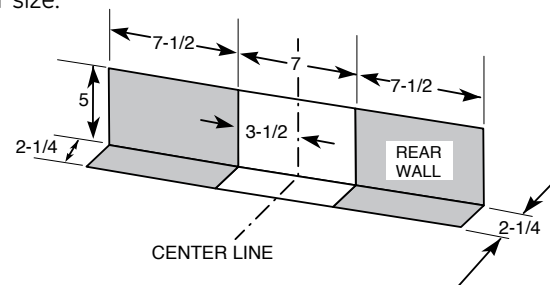
Locally approved flexible service cord or conduit must be used because terminals are not accessible after range installation. See shaded area in drawing for location of electrical outlet box. Recommended outlet locations allow range to be installed directly against wall.

Note: This appliance has been approved for 0" spacing to adjacent surfaces above the cooktop. However, a 6" minimum spacing to surfaces less than 15" above the cooktop and adjacent cabinet is recommended to reduce exposure to steam, grease splatter and heat.

Installation Information: Before installing, consult installation instructions for current dimensional data and additional requirements.

KW Rating	
240V	15.5
208V	11.6
Breaker Size	
240V	40 Amps†
208V	40 Amps†

†**Note:** Check local codes for required breaker size.



*41-1/4" with optional backguard kit

Receptacle locations: Locally approved flexible service cord or conduit must be used because terminals are not accessible after range installation. See shaded area in drawing for location of electrical outlet box. Recommended outlet locations allow range to be installed directly against wall.



For answers to your Monogram® or GE® appliance questions, visit our website at geappliances.com or call GE Answer Center® service, 800.626.2000.



All GE ranges are equipped with an Anti-Tip device. The installation of this device is an important, required step in the installation of the range.



Specification Revised 6/13

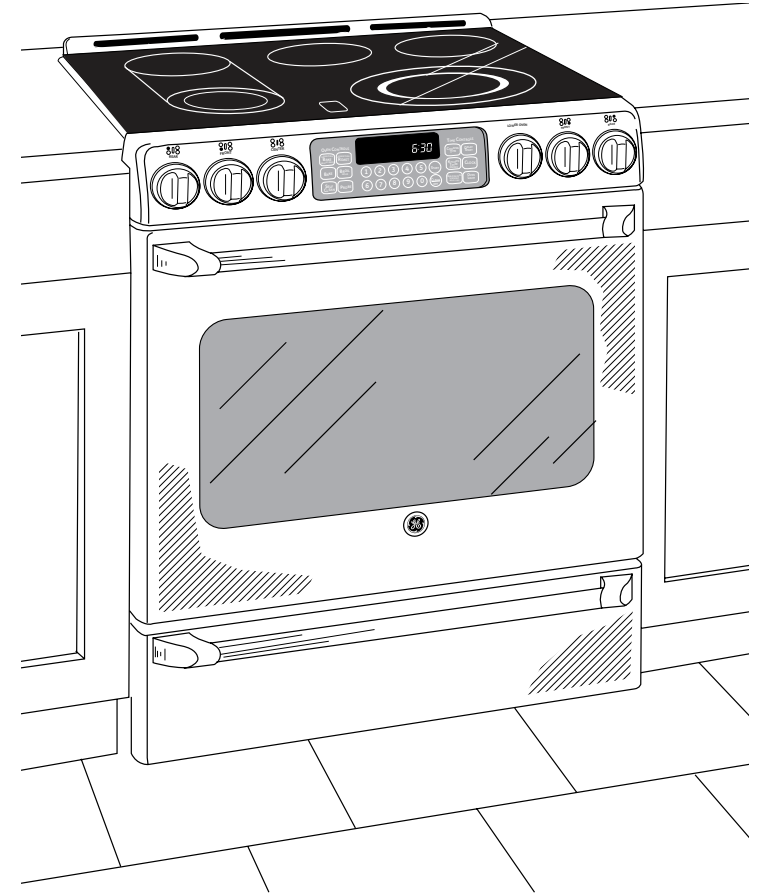
221038

CS980ST

GE Café™ Series 30" Free-Standing Radiant Range with Baking Drawer

Features and Benefits

- True European Convection with Precise Air - A reversing fan circulates heat and air for evenly browned and baked foods
- Single/Multi-Rack Convection Bake - Provides ideal airflow throughout the oven, ensuring optimal results on both racks
- Extra Large Capacity Self-Clean Convection Oven
- Griddle System with Pre-Seasoned, Cast-Iron Griddle - The non-stick griddle is perfect for restaurant-quality steaks, eggs, pancakes and more
- Baking Drawer - Offers an additional 1.0 cu. ft. of capacity for convenient baking from 150 degrees to 450 degrees
- 9"/12" Dual element - Two heating elements in one allows you to choose either a 9" or 12" element for your cookware
- Black gloss oven interior - Black oven interior adds a stylish touch to any kitchen
- Fifth element cook/warm - Versatile element can keep foods warm and boil water in minutes
- Self-clean heavy-duty oven racks - Tough, double-coated racks can stay in the oven during the self-clean cycle to eliminate hand cleaning
- True Temp oven system - This feature helps ensure the temperature you set is the temperature you get, with less variance, to give you the baking and broiling performance you desire
- Model CS980STSS - Stainless steel



imagination at work