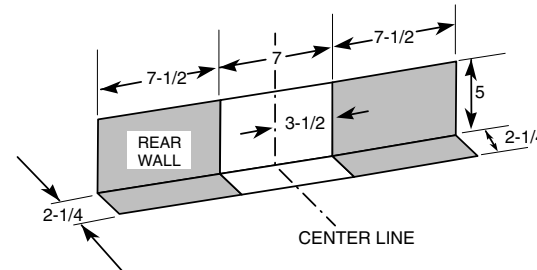
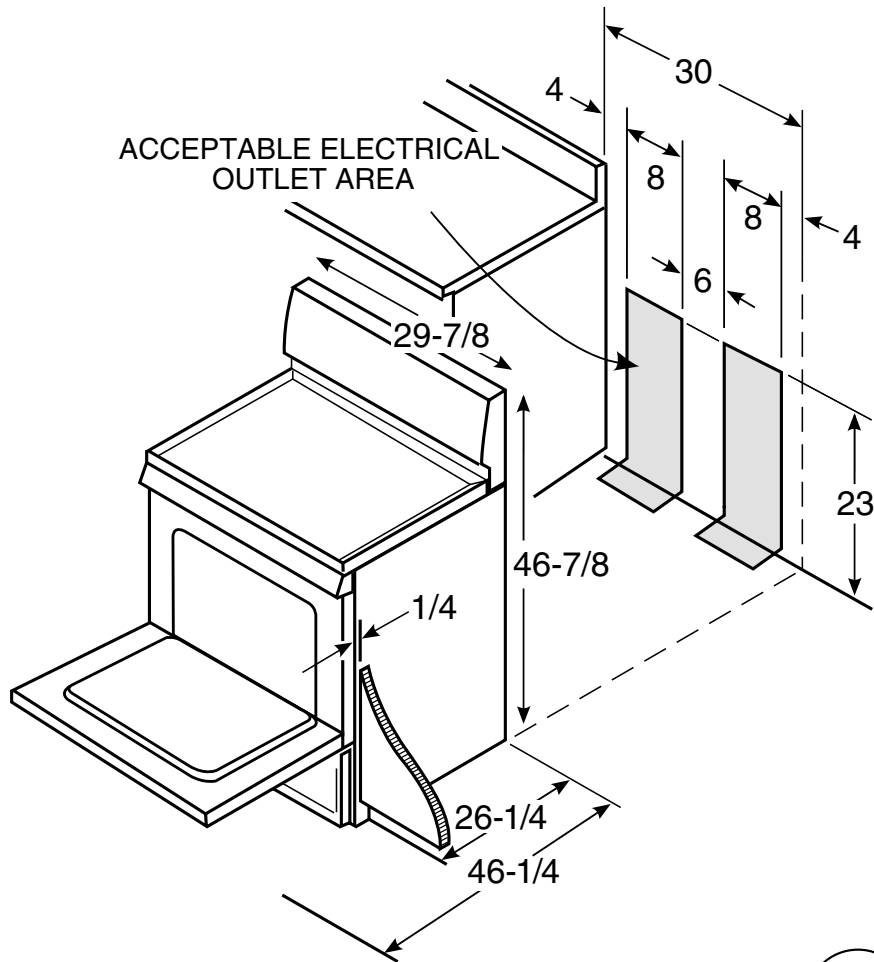




GE Appliances

JBP15WJ/CJ/BJ – GE® 30" Free-Standing Electric Range

Dimensions and Installation Information (in inches)



Receptacle Locations:

Locally approved flexible service cord or conduit must be used because terminals are not accessible after range installation. See shaded area in drawing for location of electrical outlet box. Recommended outlet locations allow range to be installed directly against wall.

Note: 30" ranges conform to U.L. requirements for 0" spacing from adjacent walls below countertops. To reduce possible scorching of walls, engineering recommends a minimum of 1-1/2" spacing to allow for possible extended, high heat, no-load heating element operation.

KW Rating	
240V	11.2
208V	6.9
Breaker Size	
40 Amps [†]	

[†]Check local codes for required breaker size.

Effective January 1, 1996, the National Electrical Code requires that new construction (not existing) utilize a 4-conductor connection to an electric range.

Installation Information: Before installing, consult installation instructions packed with product for current dimensional data.



Listed by
Underwriters
Laboratories



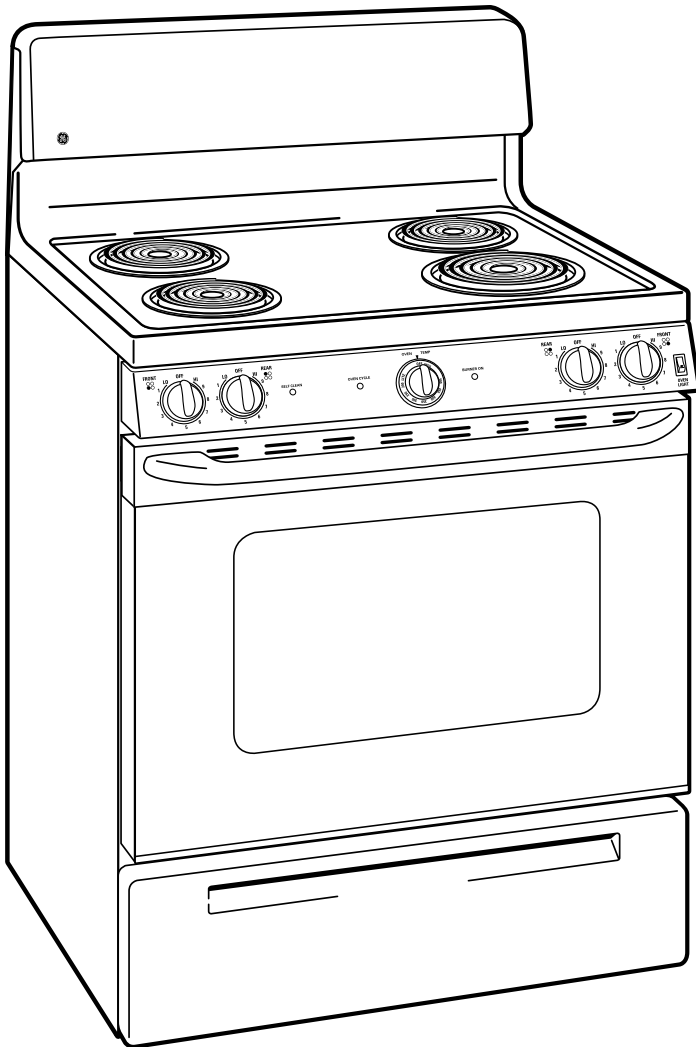
All GE ranges are equipped with an Anti-Tip device. The installation of this device is an important, required step in the installation of the range.

For answers to your Monogram®, GE Profile™ or GE® appliance questions, visit our website at GEAppliances.com or call GE Answer Center® service, 800.626.2000.



GE Appliances

JBP15WJ/CJ/BJ – GE® 30" Free-Standing Electric Range



Features and Benefits

- Upfront controls – Controls are placed within easy reach at the front center of the cooktop
- Self clean oven – Conveniently cleans the oven cavity without need of scrubbing
- Super-large oven capacity – Provides an impressively large oven interior for cooking more dishes and large meals at one time
- Coil heating elements – Provides consistent and even heat on the cooktop with a plug-in element that is removable for easy cleaning
- Big ClearView™ window – An extra large clear window makes monitoring the progress of food easy
- Dual element bake – Alternates the upper broiling element and the lower baking element for even heating and optimal baking results
- Frameless Glass Oven Door – Offers an easy-to-clean and stylish design that blends seamlessly into existing cabinetry
- Model JBP15WJWW – White on white (white door and white cooktop)
- Model JBP15CJCC – Bisque on bisque (bisque door and bisque cooktop)
- Model JBP15BJBB – Black on black (black door and black cooktop)

Specification Revised 11/05

322009