

JBP22BK

GE® 30" Free-Standing QuickClean™ Electric Range

Dimensions and Installation Information (in inches)

KW Rating	
240V	11.7
208V	8.8
Breaker Size	
40 Amps†	

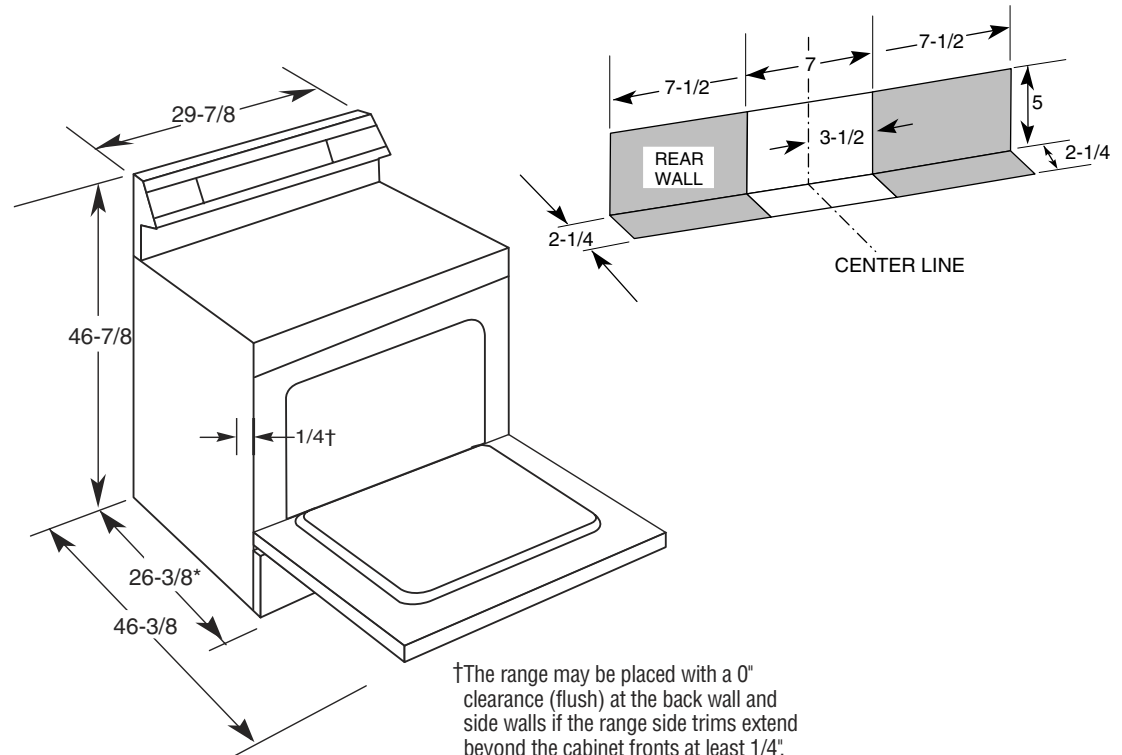
†**Note:** Check local codes for required breaker size.

Effective January 1, 1996, the National Electrical Code requires that new construction (not existing) utilize a 4-conductor connection to an electric range.

Receptacle Locations: Locally approved flexible service cord or conduit must be used because terminals are not accessible after range installation. See shaded area in drawing for location of electrical outlet box. Recommended outlet locations allow range to be installed directly against wall.

Note: 30" ranges conform to U.L. requirements for 0" spacing from adjacent walls below countertops. To reduce possibility of scorching walls, engineering recommends a minimum of 1-1/2" spacing to allow for possible extended, high-heat, no-load heating element operation.

Installation information: Before installing, consult installation instructions packed with product for current dimensional data.



†The range may be placed with a 0" clearance (flush) at the back wall and side walls if the range side trims extend beyond the cabinet fronts at least 1/4". Self-clean models only.

For answers to your Monogram®, GE Profile™ or GE® appliance questions, visit our website at ge.com or call GE Answer Center® service, 800.626.2000.

*Dimension from wall to front of closed door handle is 28-1/2".



imagination at work



All GE ranges are equipped with an Anti-Tip device. The installation of this device is an important, required step in the installation of the range.



Listed by Underwriters Laboratories

JBP22BK

GE® 30" Free-Standing QuickClean™ Electric Range

Features and Benefits

- Self-Clean Oven - Conveniently cleans the oven cavity without the need for scrubbing
- Super-Large Oven Capacity - Provides an impressively large oven interior for cooking more dishes and large meals at one time
- QuickSet III Oven Controls - Feature an easy to use design that lets you set precise cooking temperatures
- Coil Heating Elements - Provides consistent and even heat on the cooktop with a plug-in element that is removable for easy cleaning
- ClearView™ Window - Features a convenient viewing area to check the progress of food
- Dual Element Bake - Alternates the upper broiling element and the lower baking element for even heating and optimal baking results
- Chrome Drip Bowls - Contain minor spills and are removable for easy cleaning
- CleanWell™ Cooktop System - Ensures spills are properly contained, while providing convenient cleaning access
- Six Rack Positions - Provides flexibility and allows consumers to make the most of available oven capacity
- Porcelain Upswept Cooktop - Features raised edges to help contain spills and make clean-up easy
- Frameless Glass Oven Door - Offers an easy-to-clean and stylish design that blends seamlessly into existing cabinetry
- Model JBP22BKWH - White (black door and white cooktop)
- Model JBP22BKCT - Bisque (black door and bisque cooktop)

