

JBP24DM

GE® 30" Free-Standing QuickClean™ Electric Range

Dimensions and Installation Information (in inches)

KW Rating	
240V	11.7
208V	8.8
Breaker Size	
40 Amps†	

†**Note:** Check local codes for required breaker size.

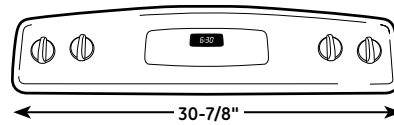
Effective January 1, 1996, the National Electrical Code requires that new construction (not existing) utilize a 4-conductor connection to an electric range.

Receptacle Locations: Locally approved flexible service cord or conduit must be used because terminals are not accessible after range installation. See shaded area in drawing for location of electrical outlet box. Recommended outlet locations allow range to be installed directly against wall.

Note: 30" ranges conform to U.L. requirements for 0" spacing from adjacent walls below countertops. To reduce possibility of scorching walls, engineering recommends a minimum of 1-1/2" spacing to allow for possible extended, high-heat, no-load heating element operation.

Installation information: Before installing, consult installation instructions packed with product for current dimensional data.

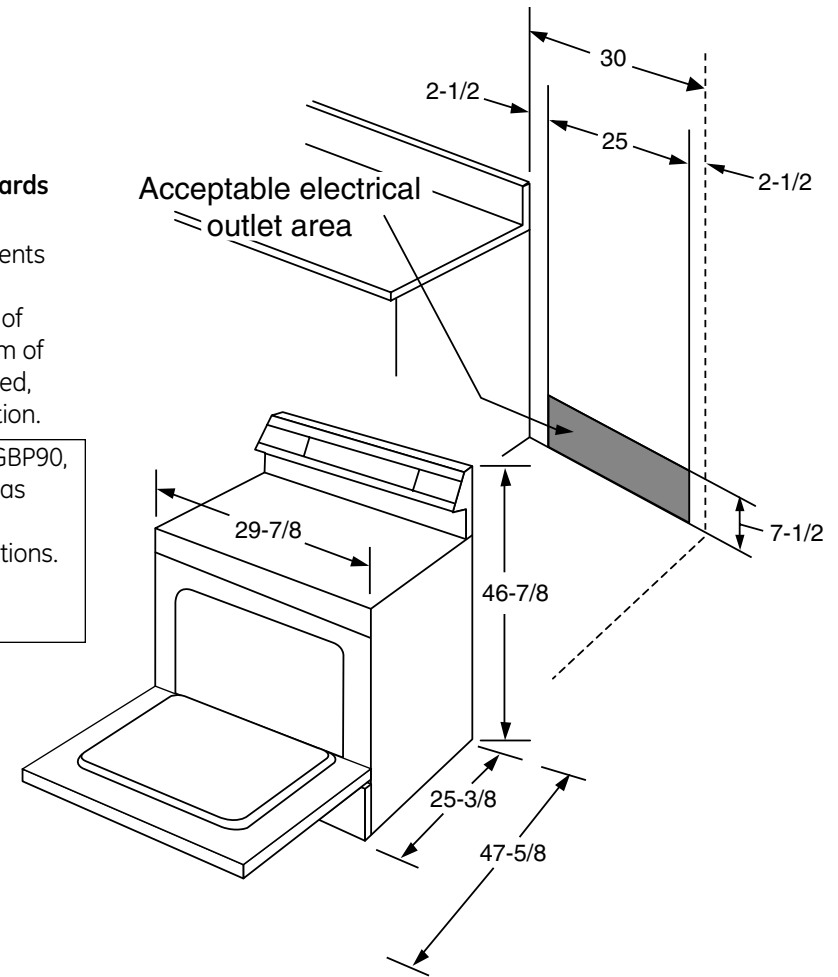
For answers to your Monogram®, GE Profile™ or GE® appliance questions, visit our website at ge.com or call GE Answer Center® service, 800.626.2000.



All 30" GE gas and electric range backguards are 30-7/8" wide.*

Note: 30" ranges conform to U.L. requirements for 0" spacing from adjacent walls below countertops. To reduce possible scorching of walls, engineering recommends a minimum of 1-1/2" spacing to allow for possible extended, high heat, no-load heating element operation.

*Except these models: JGBS07, JGBS04, JGBP90, all GE Profile free-standing electric and gas ranges
Fits most countertop backsplash applications. Consult Use & Care Manual for detailed installation instructions.



Dimension from wall to front of closed door handle is 27-3/4".



All GE ranges are equipped with an Anti-Tip device. The installation of this device is an important, required step in the installation of the range.



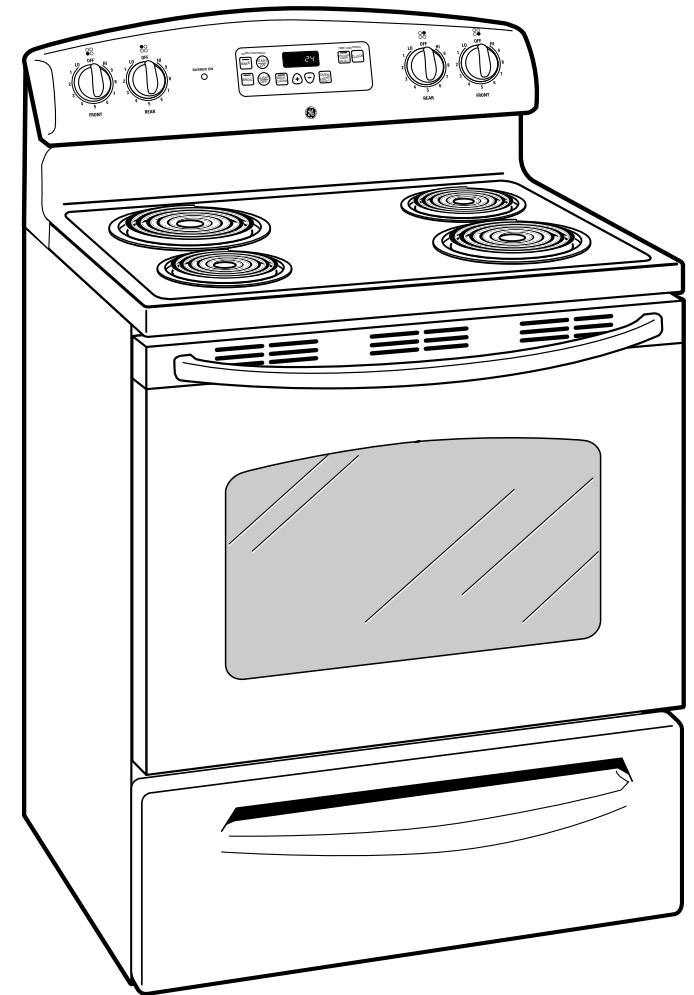
Listed by Underwriters Laboratories

JBP24DM

GE® 30" Free-Standing QuickClean™ Electric Range

Features and Benefits

- Self-Clean Oven - Conveniently cleans the oven cavity without the need for scrubbing
- Super-Large Oven Capacity - Provides an impressively large oven interior for cooking more dishes and large meals at once
- QuickSet III Oven Controls - Feature an easy to use design that lets you set precise cooking temperatures
- Coil Heating Elements - Provides consistent and even heat on the cooktop with a plug-in element that is removable for easy cleaning
- Dual Element Bake - Alternates the upper broiling element and the lower baking element for even heating and optimal baking results
- Big Hearth Window - Features an enhanced shape to add an elegant appearance and make viewing trouble-free
- Chrome Drip Bowls - Contain minor spills and are removable for easy cleaning
- CleanWell™ Cooktop System - Ensures spills are properly contained, while providing convenient cleaning access
- Six Rack Positions - Provides flexibility and allows consumers to make the most of available oven capacity
- Porcelain Upswept Cooktop - Features raised edges to help contain spills and make clean-up easy
- Model JBP24DMWW – White on white (white door and white cooktop)
- Model JBP24DMBB – Black on black (black door and black cooktop)



imagination at work