

# JBP74TM

## GE® 30" Free-Standing QuickClean™ Electric Range

### Dimensions and Installation Information (in inches)

KW Rating	
240V	11.9
208V	8.9
Breaker Size	
40 Amps†	

†**Note:** Check local codes for required breaker size.

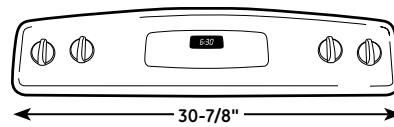
Effective January 1, 1996, the National Electrical Code requires that new construction (not existing) utilize a 4-conductor connection to an electric range.

**Receptacle Locations:** Locally approved flexible service cord or conduit must be used because terminals are not accessible after range installation. See shaded area in drawing for location of electrical outlet box. Recommended outlet locations allow range to be installed directly against wall.

**Note:** 30" ranges conform to U.L. requirements for 0" spacing from adjacent walls below countertops. To reduce possibility of scorching walls, engineering recommends a minimum of 1-1/2" spacing to allow for possible extended, high-heat, no-load heating element operation.

**Installation information:** Before installing, consult installation instructions packed with product for current dimensional data.

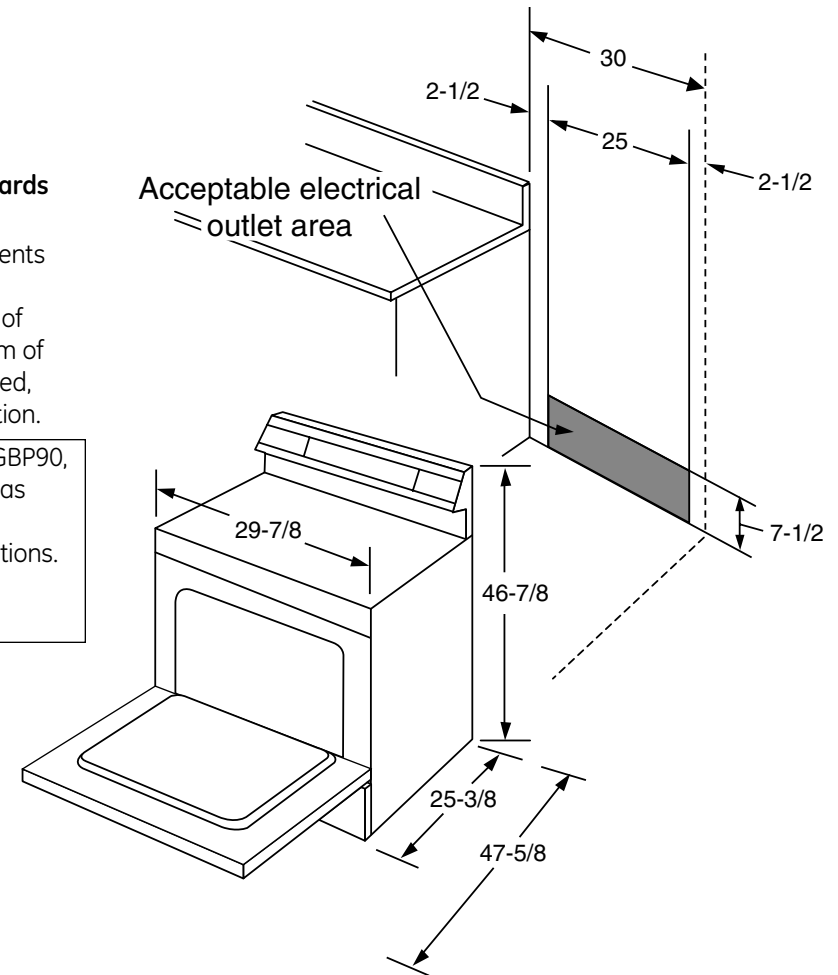
For answers to your Monogram®, GE Profile™ or GE® appliance questions, visit our website at [ge.com](http://ge.com) or call GE Answer Center® service, 800.626.2000.



All 30" GE gas and electric range backguards are 30-7/8" wide.\*

**Note:** 30" ranges conform to U.L. requirements for 0" spacing from adjacent walls below countertops. To reduce possible scorching of walls, engineering recommends a minimum of 1-1/2" spacing to allow for possible extended, high heat, no-load heating element operation.

\*Except these models: JGBS07, JGBS04, JGBP90, all GE Profile free-standing electric and gas ranges  
Fits most countertop backsplash applications. Consult Use & Care Manual for detailed installation instructions.



Dimension from wall to front of closed door handle is 27-3/4".



All GE ranges are equipped with an Anti-Tip device. The installation of this device is an important, required step in the installation of the range.



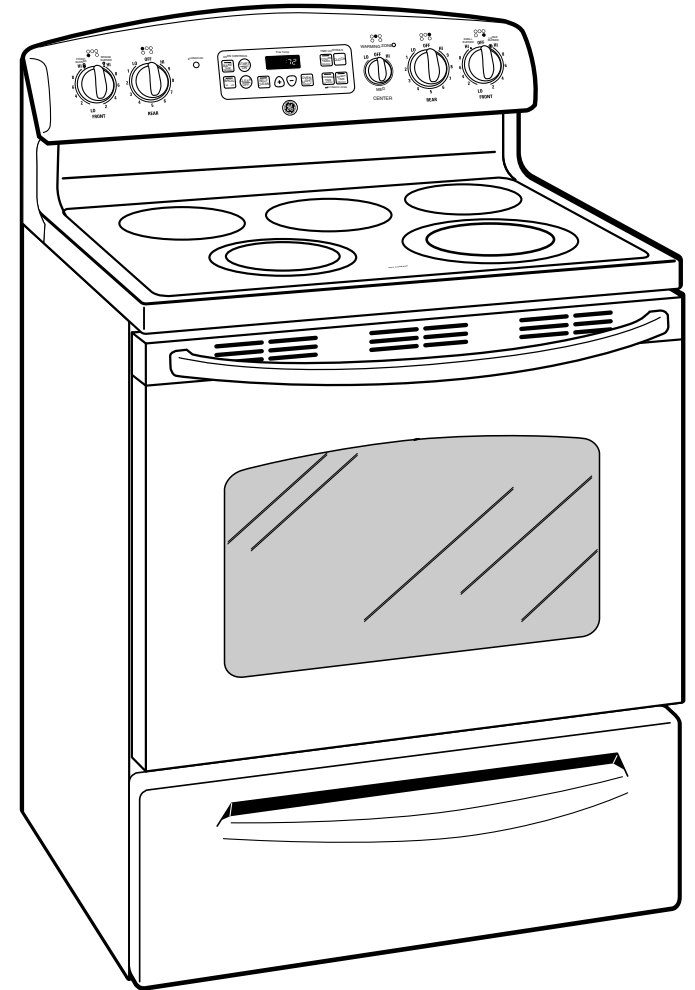
Listed by Underwriters Laboratories

# JBP74TM

## GE® 30" Free-Standing QuickClean™ Electric Range

### Features and Benefits

- PreciseAir™ Convection System - Delivers even air and heat circulation for superior baking and roasting results
- Self-Clean Oven - Conveniently cleans oven cavity without the need for scrubbing
- Super-Large 5.3 Cu. Ft. Oven Capacity - Provides an impressively large oven interior to cook more dishes and large meals at once
- 9"/12" Dual Element
- Hidden Bake Oven Interior - Hides previously exposed bottom element to deliver a clean interior appearance
- Self-Clean Heavy-Duty Oven Racks - Double coated porcelain-enameled racks no longer require hand cleaning
- Model JBP74TMWW - True white (white door and true white cooktop)



imagination at work