

JD900WK/CK/BK

GE Profile™ 30" Drop-In Electric Range

Dimensions and Installation Information (in inches)

KW Rating	
240V	11.6
208V	8.7
Breaker Size	
240V	40 Amps
208V	40 Amps

Note: Cabinets installed adjacent to slide-in ranges must have an adhesion spec of at least 194° temperature rating.

Note: To reduce possibility of scorching the side walls above the countertop when no load is present on burners, it is recommended that a minimum of 6" spacing from adjacent side wall be allowed for possible extended, high-heat, element operation.

IMPORTANT: 30" DROP-IN RANGES ARE DESIGNED TO HANG FROM THE COUNTERTOP. IT DOES NOT REST ON THE FLOOR. FOR INSTALLATION ALTERNATIVES, REFER TO INSTALLATION INSTRUCTIONS PACKED WITH PRODUCT.

Optional Kits For Drop-In Electric Ranges (Available At Additional Cost)

Accessory Backguards

(Attaches to the back of range as a backguard when unit is installed in 30" free-standing cutout)

JXS32SS (Stainless) - 4" High
 JXS32WW (White) - 4" High
 JXS32CC (Bisque) - 4" High
 JXS32BB (Black) - 4" High

JXS37WW (White) - 5-1/4" High
 JXS37CC (Bisque) - 5-1/4" High
 JXS37BB (Black) - 5-1/4" High

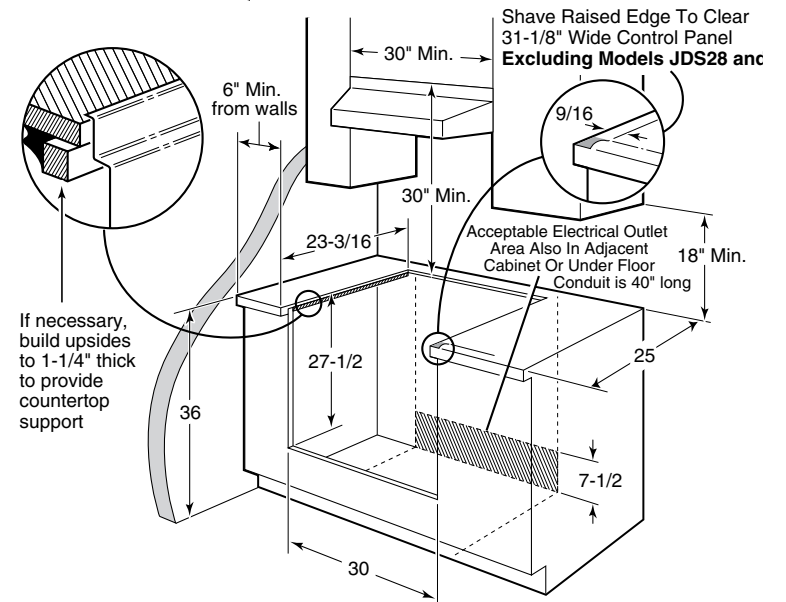
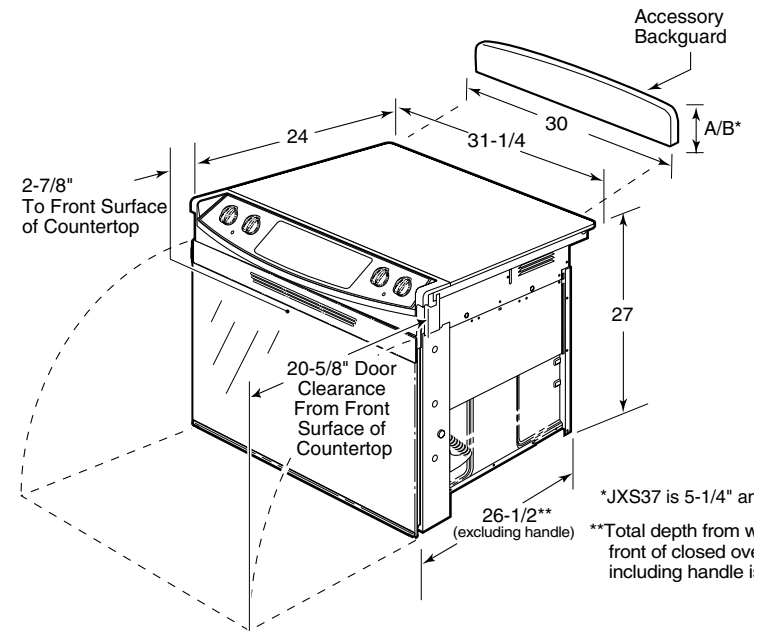
Maintop Filler

(Fills gap between cooktop and wall when unit is installed in 30" free-standing cutout)

JXS66WW—White
 JXS66CC—Bisque
 JXS66BB—Black

Installation information: Before installing, consult installation instructions packed with product for current dimensional data.

For answers to your Monogram®, GE Profile™ or GE® appliance questions, visit our website at ge.com or call GE Answer Center® service, 800.626.2000.



All GE ranges are equipped with an Anti-Tip device. The installation of this device is an important, required step in the installation of the range.



Listed by Underwriters Laboratories

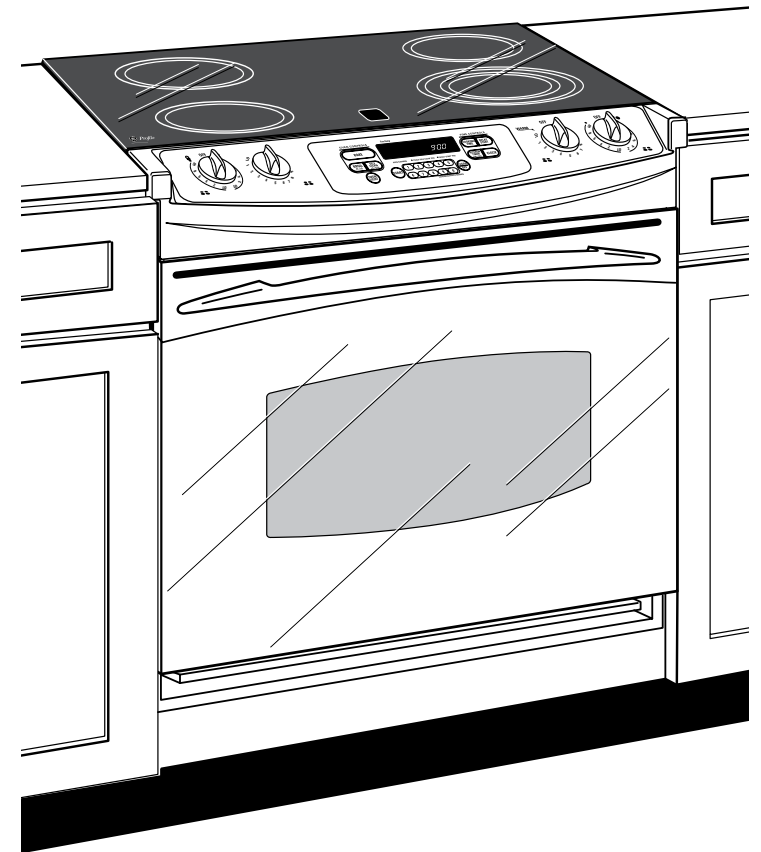


JD900WK/CK/BK

GE Profile™ 30" Drop-In Electric Range

Features and Benefits

- Self-Clean Oven - Conveniently cleans the oven cavity without the need for scrubbing
- Electronic Oven Controls - One-touch electronic pads are easy-to-use and allow for simple oven operation
- Dual Size Ribbon Element - Offers a convenient choice of using a 6" or 9" heating element, depending on the size of the pan
- Super-Large Oven Capacity - Provides an impressively large oven interior for cooking more dishes and large meals at one time
- TrueTemp™ System - Delivers even heat distribution and maximum oven control
- Ribbon Heating Elements - Provide powerful heat beneath a smooth glass surface to ensure even heat and fast warm-up times
- Ceramic Glass Cooktop - A smooth cooktop surface makes cleaning quick and easy
- Six-Pass Bake Element - The powerful, continuous heating element loops throughout the oven, delivering evenly cooked foods
- Two Oven Racks - Feature a durable construction to help accommodate any size or type of cookware
- Certified Sabbath Mode - Prepared foods can stay warm in accordance with kosher law
- Model JS900WKWW - White on white (white door and patterned black cooktop)
- Model JS900CKCC - Bisque on bisque (bisque door and patterned black cooktop)
- Model JS900BKBB - Black on black (black door and black patterned cooktop)



imagination at work