

Installation Instructions

Electric Drop-In Range

JDS28, JDP39

? Questions? Call 800.GE.CARES (800.432.2737) or Visit our Website at: www.GEAppliances.com

BEFORE YOU BEGIN

Read these instructions carefully and completely.

- **IMPORTANT** — Save these instructions for local inspector's use.
- **IMPORTANT** — Observe all governing codes and ordinances.
- **Note to Installer** – Be sure to leave these instructions with the consumer.
- **Note to Consumer** – Keep these instructions for future reference.

- Proper installation is the responsibility of the installer and product failure due to improper installation is NOT covered under the warranty.
- **NOTE** – This appliance must be properly grounded.

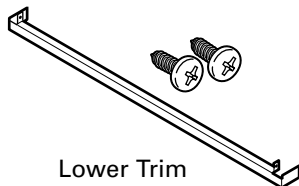
ATTENTION INSTALLER

All electric drop-in ranges must be hard wired (direct wired) into an approved junction box. A plug and receptacle is NOT permitted on these products.

PARTS INCLUDED

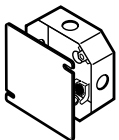


2 Shoulder Screws
(for stop device)

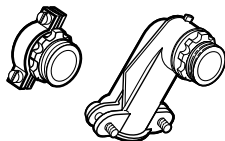


Lower Trim
2 Screws

MATERIALS NEEDED



Junction Box

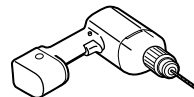


Strain Relief Clamp
for 1/2" conduit



Wire Nuts

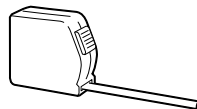
TOOLS YOU WILL NEED



1/8" Drill Bit and
Electric or Hand Drill



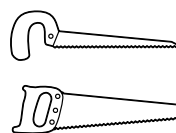
Level



Tape Measure



Straight Edge
or Square



Hand or Sabre Saw



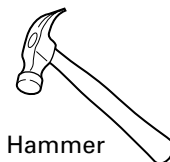
Phillips Screwdriver



Standard Screwdriver



Nut Driver



Hammer



Pencil



Safety Glasses

Installation Instructions

IMPORTANT SAFETY INSTRUCTIONS

FOR YOUR SAFETY

▲ WARNING: For personal safety, remove house fuse or open circuit breaker before beginning installation. Failure to do so could result in serious injury or death.

- All rough-in and spacing dimensions must be met for safe use of your range.
- To reduce the risk of burns or fire when reaching over hot surface elements, cabinet storage space above the cooktop should be avoided. If cabinet storage space is to be provided above the cooktop, the risk can be reduced by installing a range hood that sticks out at least 5" beyond the front of the cabinets. Cabinets installed above the cooktop must be no deeper than 13".
- Be sure your appliance is properly installed and grounded by a qualified technician.

ELECTRICAL REQUIREMENTS

This appliance must be supplied with the proper voltage and frequency, and connected to an individual, properly grounded branch circuit, protected by a circuit breaker or fuse having amperage as noted on rating plate. (Rating Plate is located behind the oven door on the range.)

We recommend you have the electrical wiring and hookup of your range connected by a qualified electrician. After installation, have the electrician show you where your main range disconnect is located.

Check with your local utilities for electrical codes which apply in your area. Failure to wire your range according to governing codes could result in a hazardous condition. If there are no local codes, your range must be wired and fused to meet the requirements of the National Electrical Code, ANSI/NFPA No. 70—Latest Edition. You can get a copy by writing:

National Fire Protection Association
Batterymarch Park
Quincy, MA 02269

Effective January 1, 1996, the National Electrical Code requires that new, but not existing, construction utilize a four-conductor connection to an electric range. When installing an electric range in new construction, a mobile home, recreational vehicle or an area where local codes prohibit grounding through the neutral conductor, follow the instructions in the section on NEW CONSTRUCTION AND FOUR-CONDUCTOR BRANCH CIRCUIT CONNECTION.

You must use a three-wire, single-phase A.C. 208Y/120 Volt or 240/120 Volt, 60 hertz electrical system. If you connect to aluminum wiring, properly installed connectors approved for use with aluminum wiring must be used.

Installation Instructions

PRE-INSTALLATION CHECKLIST

- **Move Range Indoors In Front of Cabinet Opening**
- **Protect the kitchen floor!** Flatten and place a piece of the shipping carton in front of the installation location to protect the flooring.
- **Inspect Installation Location**
Inspect cutout dimensions and location of electrical junction box to be sure it fits within the layout location. See page 4. Refer to alternate construction section for the following non-standard installations.

- a. **Counter opening extends to the wall:**
Maintop Filler Kit (JXS66XX), or
Backguard Kit (JXS32XX).

WARNING: If you do not use these kits, the anti-tip bracket must fit under an attachment to the wall that can withstand a force of 200 lbs. in the upward direction. See Step 1 under INSTALL THE RANGE.

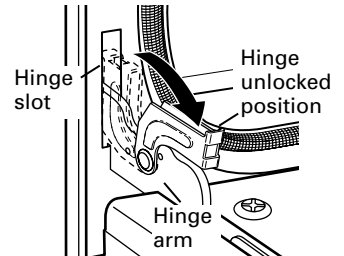
- b. **Island Installation:**
To provide an optimum installation, the top surface of the countertop must be level and flat (lie on the same plane) around the 3 sides that are adjacent to range cooktop. Proper adjustments to make the top flat should be made or gaps between the countertop and range cooktop may occur. Forcing the cooktop to fit may cause excessive gaps.

To obtain Kits:

- a. Visit GE Web Site (See page 1)
- b. Call GE Answer Center (See page 1)
- c. Contact Dealer

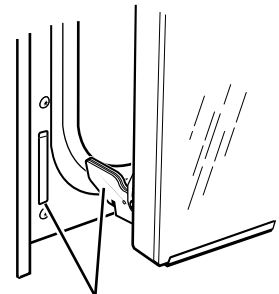
Door removal is not a requirement for installation of the product, but is an added convenience. To remove the door:

- Open the oven door as far as it will go.
- Push both hinge locks down toward the door frame, to the unlocked position. This may require a flat blade screwdriver.



DO NOT LIFT THE DOOR BY THE HANDLE!

- Place hands on both sides of the door, and close the oven door to the removal position. This is half way between the broil stop and fully closed.
- Lift door up and out until the hinge arms clear the slots.



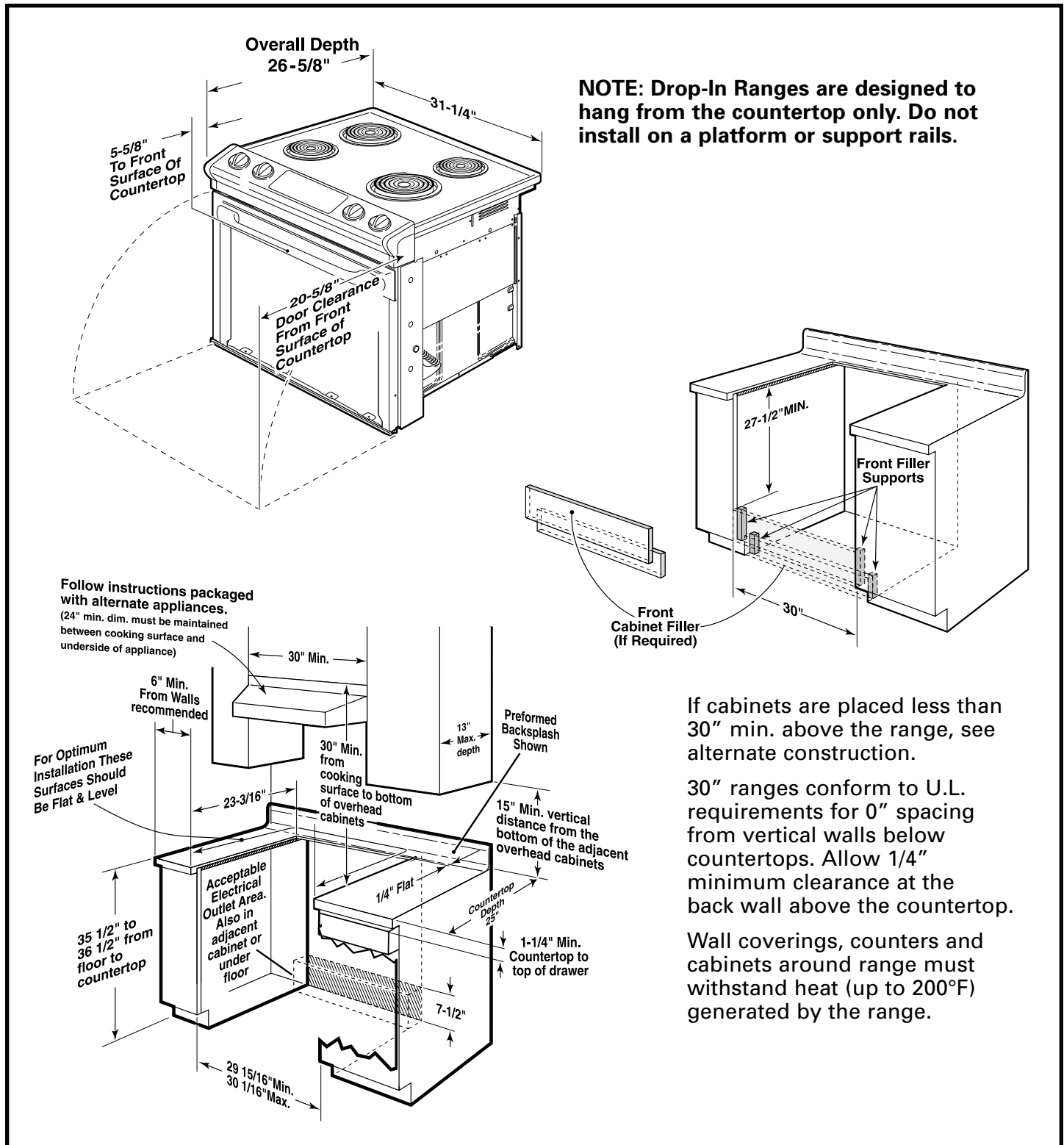
Hinge clears slot

NOTE: The oven door is very heavy. Be sure you have a firm grip before lifting the oven door off the hinges. Use caution once the door is removed. Do not lay the door on its handle. This could cause dents or scratches.

- Remove packing materials. Remove labels on door, plastic on trims and panel, and all tape around the range.

Installation Instructions

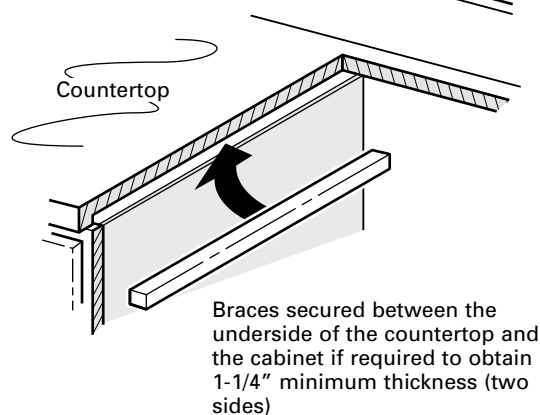
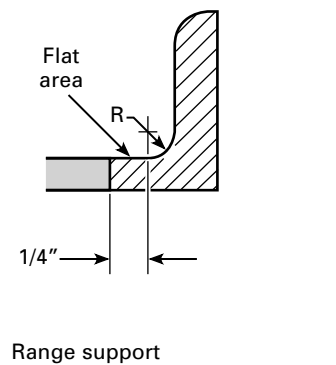
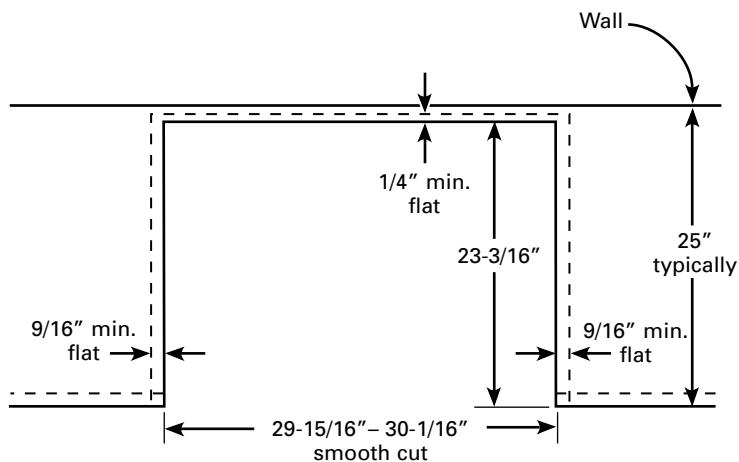
PRE-INSTALLATION CUTOUT AND REQUIRED CLEARANCES



Installation Instructions

PREPARE TO INSTALL THE RANGE

STANDARD INSTALLATION



The Standard Installation of this Drop-In Range is to hang by the countertop on the side metal flanges under cooktop. **This Range must not be installed on a base or sub structure (2"x 4" support).**

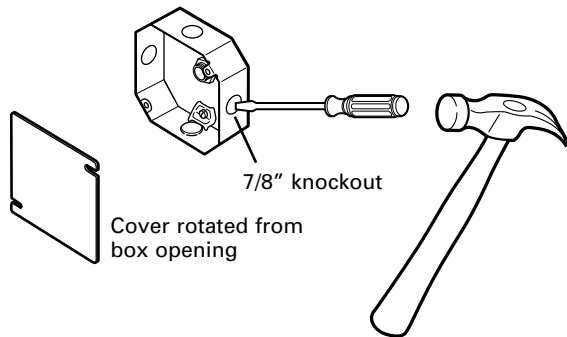
If the construction of your cabinet cannot provide a 1/4" flat area at the back of the countertop opening, consider changing the countertop to accommodate this dimension.

- 1** Center the 30" wide opening over the adjacent cabinets and mark with a straight edge.
- 2** Using a straight edge, mark the back line at 23-3/16" from the front edge of the counter.
- 3** Be careful not to damage the adjacent cabinets while cutting the countertop.
- 4** Remove countertop raised edge, if incorporated. (See illustration on page 4.)

Installation Instructions

ELECTRICAL CONNECTIONS

- 1** Remove house fuse or open circuit breaker.
- 2** Loosen screws for the junction box cover and rotate out of place or remove the cover.
- 3** Examine the junction box location to determine the best routing of the conduit, and select the best available 7/8" diameter knockout. Avoid using holes in the top of the junction box to prevent the conduit from interfering with the back of the range.
- 4** Break open the selected knockout by placing a bladed screwdriver on the scored opening in the junction box and striking the screwdriver with a hammer. (Pliers may be required to complete the removal of the knockout.)



- 5** Position the range in front of the opening, but slightly to the side, in a manner so that a person can enter the opening to wire the range to the house wiring in the junction box.
- 6** Feed wires and conduit through the open hole and snap the conduit fitting into the hole. Route the conduit in a manner that will not interfere with the rear wire cover. The conduit must be routed below the wire cover.

▲ WARNING: Improper connection of aluminum house wiring to copper leads can result in an electrical hazard or fire. Use only connectors designed for joining copper to aluminum and follow the manufacturer's recommended procedure closely.

GENERAL NOTE FOR ALL WIRE NUT APPLICATIONS: THE PROPER SIZE WIRE NUT SHALL BE PLACED OVER THE STRIPPED LEADS AND THE WIRE NUT TWISTED UNTIL THE WIRE NUT CAN NOT BE PULLED FROM THE LEADS. NO CONDUCTOR SHALL BE EXPOSED IN THE CONNECTION. THE EXCEPTION TO THE CONDUCTOR BEING EXPOSED IS THE BARE COPPER GROUND CONNECTION.

BREAKER OR FUSE SIZE

240V	40 Amps +
208V	40 Amps +

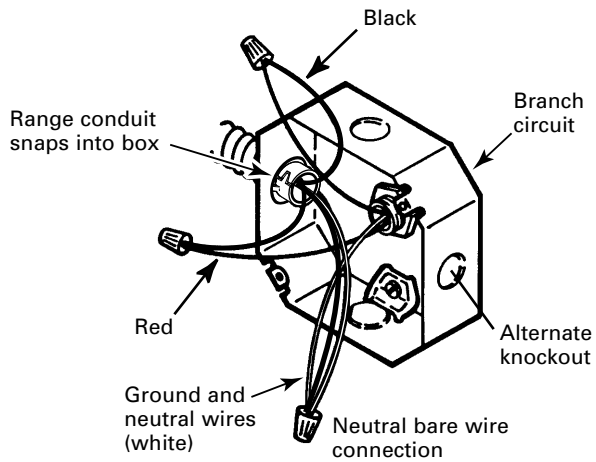
+ NOTE: Check Local Codes for required breaker size.

Installation Instructions

THREE-CONDUCTOR BRANCH CIRCUIT CONNECTION

When connecting to a 3-conductor branch circuit, if local codes permit:

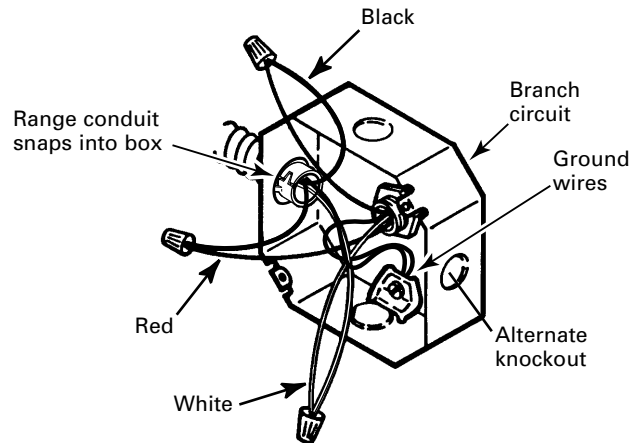
- 7a** Connect the bare oven ground conductor with the crimped neutral (white) lead to the branch circuit neutral (white or gray in color), using wire nuts.
- 7b** Connect the oven red lead to the branch circuit red lead, and the oven black lead to the branch circuit black lead in accordance with local codes, using wire nuts. If the residence red, black or white leads are aluminum conductors, see "WARNING" note (see page 6).



NEW CONSTRUCTION AND FOUR-CONDUCTOR BRANCH CIRCUIT CONNECTION

- When installing in new construction, or
- When installing oven in a mobile home or recreational vehicle, or
- When local codes do not permit grounding through neutral:

- 7a** Cut the neutral (white) lead from the crimp. Re-strip the neutral (white) lead to expose the proper length of conductor and connect it to the white or gray branch circuit neutral in accordance with local code using wire nuts.
- 7b** Attach the appliance grounding lead (green or bare copper) in accordance with local codes. If the residence grounding conductor is aluminum, see WARNING note (see page 6).
- 7c** Connect the oven red lead to the branch circuit red lead and the oven black lead to the branch circuit black lead in accordance with local codes, using wire nuts. If the residence red, black or white leads are aluminum conductors, see "WARNING" note (see page 6).



Installation Instructions

ELECTRICAL CONNECTIONS (CONT.)

8 Reinstall Junction box cover.

Do not shorten the flexible conduit. The conduit strain relief clamp must be securely attached to the junction box and the flexible conduit must be securely attached to the clamp. If the flexible conduit will not fit within the junction box, do not install the oven until a clamp of the proper size is obtained.

NOTE TO ELECTRICIAN: The 3 power leads supplied with this appliance are UL recognized for connection to larger gauge household wiring. The insulation of these 3 leads is rated at temperatures much higher than the temperature rating of household wiring. The current carrying capacity of the conductor is governed by the temperature rating of the insulation around the wire, rather than the wire gauge alone.

Installation Instructions

INSTALL THE RANGE

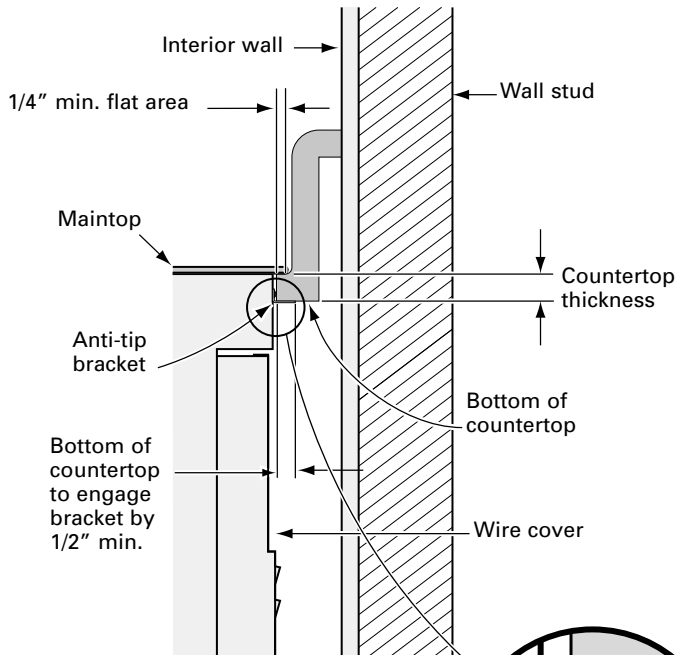
1 INSTALLING THE ANTI-TIP BRACKET

The anti-tip bracket is attached to the back of the Drop-In Range. It is designed to fit under the bottom of the countertop opening at the rear. Measure counter thickness at back of cutout to determine correct bracket location.

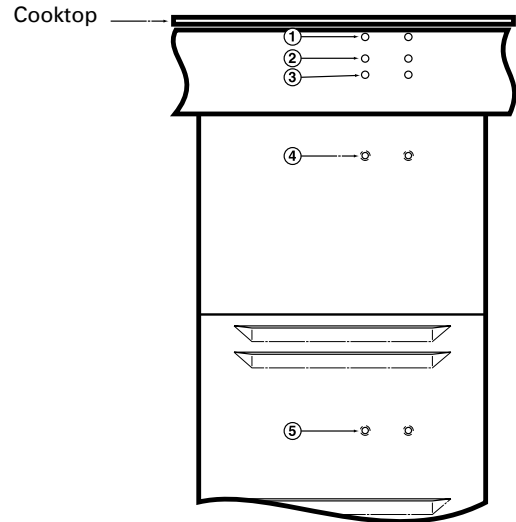
Select the proper position for the countertop thickness and move bracket to proper position. (Unit is supplied with bracket in position 1.)

- ① For 3/4" Counter
- ② For 1.18" (3 cm) Counter
- ③ For 1.5" Counter
- ④ For 3.5"
- ⑤ Alternate (shown below)

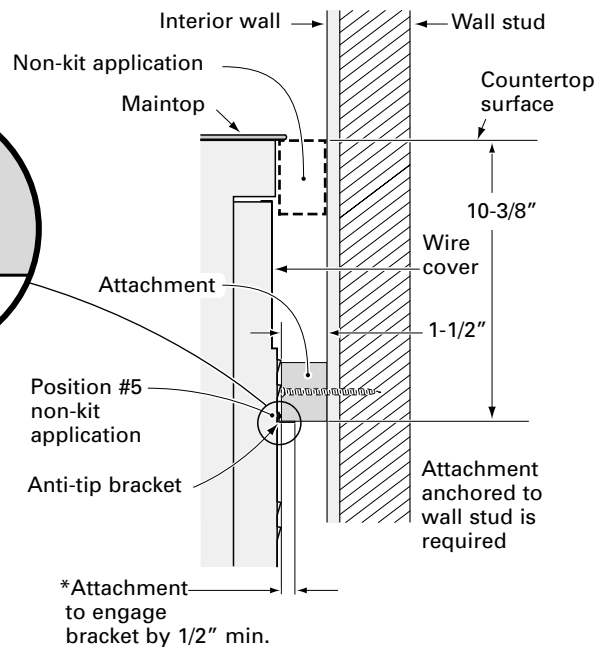
ANTI-TIP INSTALLATION



Anti-tip bracket location (rear of range)



ALTERNATE ANTI-TIP INSTALLATION

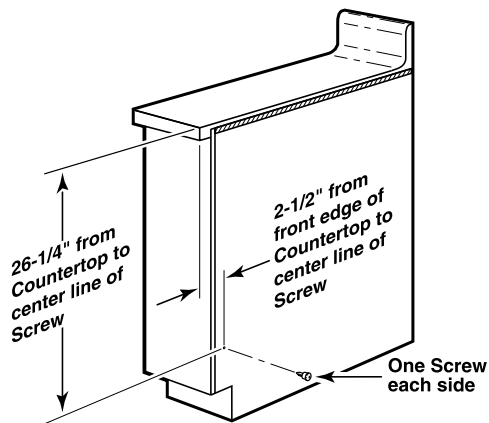


Installation Instructions

INSTALL THE RANGE (CONT.)

2 INSTALL STOP SCREW

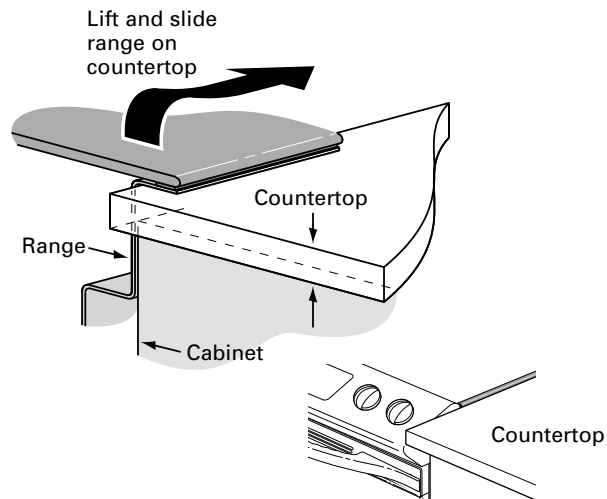
These screws prevent the range from sliding out of position during operation.



Carefully mark the cabinet for the location of the stop screws. Drill 1/8" pilot holes into the cabinet, each side of the range. (Make sure not to drill entirely through the cabinet wall.) Carefully turn the shoulder screws into the pilot holes until they are tight.

3 PLACING THE RANGE INTO THE OPENING

It is suggested that two people lift the range into place, carefully setting the side metal flanges on the edges of the countertop opening. Carefully slide the range toward the back of the opening. In the last 1" of travel, lift the front of the range approx. 1/2" to clear the stop screws located in the sides of the cabinet and slide the range until the range is seated. Lower front of the range onto countertop.

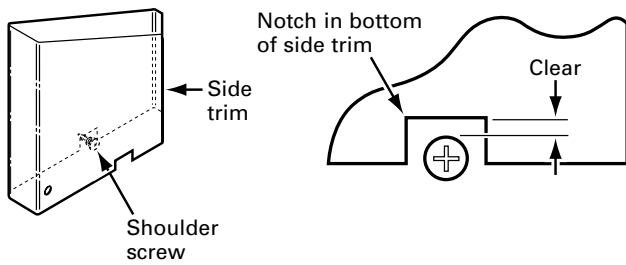


Make sure the edge of the countertop fits flush against the end of the Front Control Panel

Installation Instructions

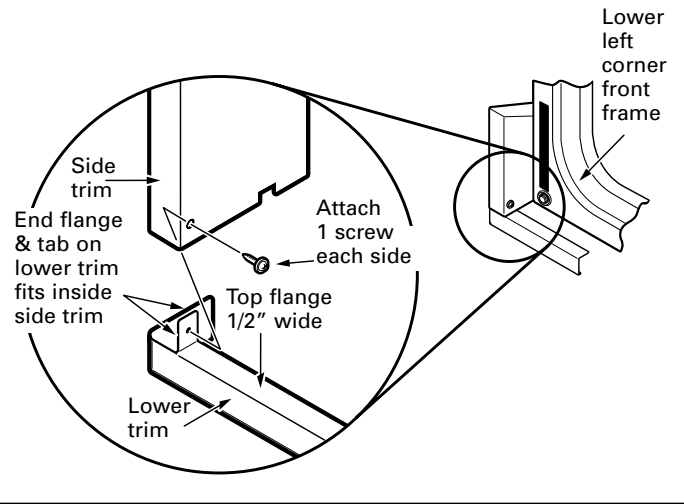
4 CHECK FOR PROPER INSTALLATION OF THE STOP SCREW

Look at both sides of the range under the door. The stop screws must be located in the notch on the sides of the range, and not touch the top of the notch when the range is fully seated on the countertop. If the screws do not meet the requirements, move the screws to a position that meets these requirements. (See illustration below.)



5 ATTACH THE LOWER TRIM

Attach the lower trim (supplied separately with the range) to the bottom of the vertical side trim with the 2 screws supplied.



Installation Instructions

INSTALL THE RANGE (CONT.)

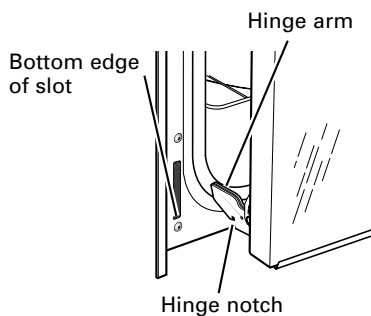
REPLACING THE OVEN DOOR

NOTE: The oven door is heavy. You may need help lifting the door high enough to slide it into the hinge slots. Do not lift the door by the handle.

- 6** Lift the oven door by placing one hand on each side. The door is heavy, so you may need help. Do not lift the door by the handle.

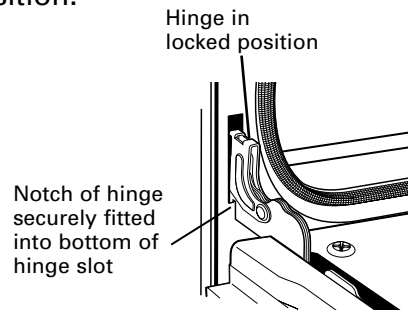


- 7** With the door at the same angle as the removal position (halfway between the closed and broil stop position), seat the notch of the hinge arm into the bottom edge of the hinge slot. The notch of the hinge arm must be fully seated into the bottom of the slot.



- 8** Open the oven door as far as it will open.

- 9** Push the hinge locks up against the front frame of the oven cavity, to the locked position.



- 10** Close the oven door.

11 CHECK FOR PROPER INSTALLATION OF ANTI-TIP BRACKET

Lower the oven door and gently apply medium force at the handle end until movement of the range is detected. Continue pressing until the anti-tip bracket is engaged and movement stops. A small amount of movement is acceptable at the back of the range top, but it should be stable and not tip once the anti-tip bracket is engaged.

Installation Instructions

12 FINAL CHECKLIST

- Check to make sure the circuit breaker is closed (Reset) or the circuit fuses are replaced.
- Be sure power is in service to the building.
- Check to be sure that all packing materials and tape on metal panel (if applicable) under control knobs and drawer have been removed.

13 OPERATION CHECKLIST

- Check to make sure the Clock display is energized. If a series of horizontal red lines appear in the display, disconnect power immediately. Recheck the range wiring connections. If change is made to connections, retest again. If no change is required, have building wiring checked for proper connections and voltage. It is recommended that the clock be changed if the red lines appear.
- Push down and turn any one of the four surface knobs to "MED" setting to observe that the element glows within 15 seconds. Turn the knob off when glow is detected. If the glow is not detected within the time limit, recheck the range wiring connections. If change is required, retest again. If no change is required, have building wiring checked for proper connections and voltage.

Installation Instructions

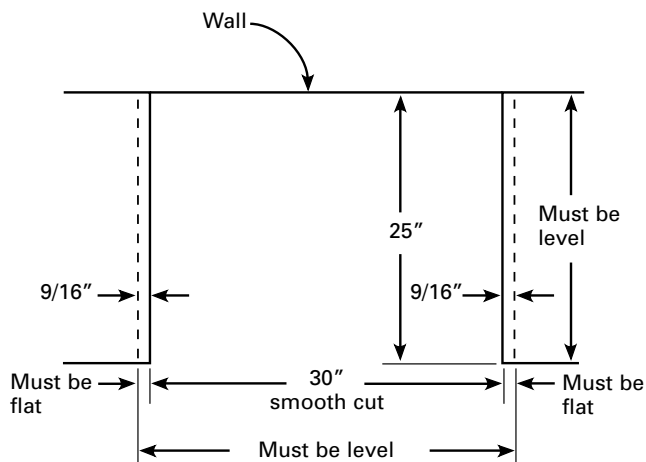
ALTERNATE CONSTRUCTION PREPARATION

A OPTIONAL MAINTOP FILLER OR BACKGUARD KIT

If counter opening extends to the wall, it will require Maintop Filler Kit (JXS66XX) or Backguard Kit (JXS32XX) to close the gap.

NOTE: If the countertop is greater than 25", it will show a gap between the backguard and wall or between filler kit and the wall.

If the countertop is less than 25", a gap will occur between the countertop front and the control panel ends. (See page 10, Step 3).



Refer to the Filler or Backguard Kit instructions for Installation details.

B ISLAND INSTALLATION

When installing in an island or other non-standard location, countertop cutout dimensions must be according to page 5.

For the anti-tip bracket instructions, see page 9.

In this application, do not use Backguard Kit (JXS32XX).

C CABINETS OVER THE RANGE LESS THAN 30"

If a 30" clearance between cooking surface and overhead combustible material or metal cabinets cannot be maintained, protect the underside of the cabinets above the cooktop with not less than 1/4" insulating millboard covered with sheet metal not less than 0.0122" thick.

D CABINET CUTOUT HEIGHT MORE THAN 27-1/2" USE LOWER TRIM KIT

Optional Lower Trim to fill space beneath 27-1/2" min. requirement (see page 4). Use lower Trim Kit JXS96XX.

Notes

Notes
