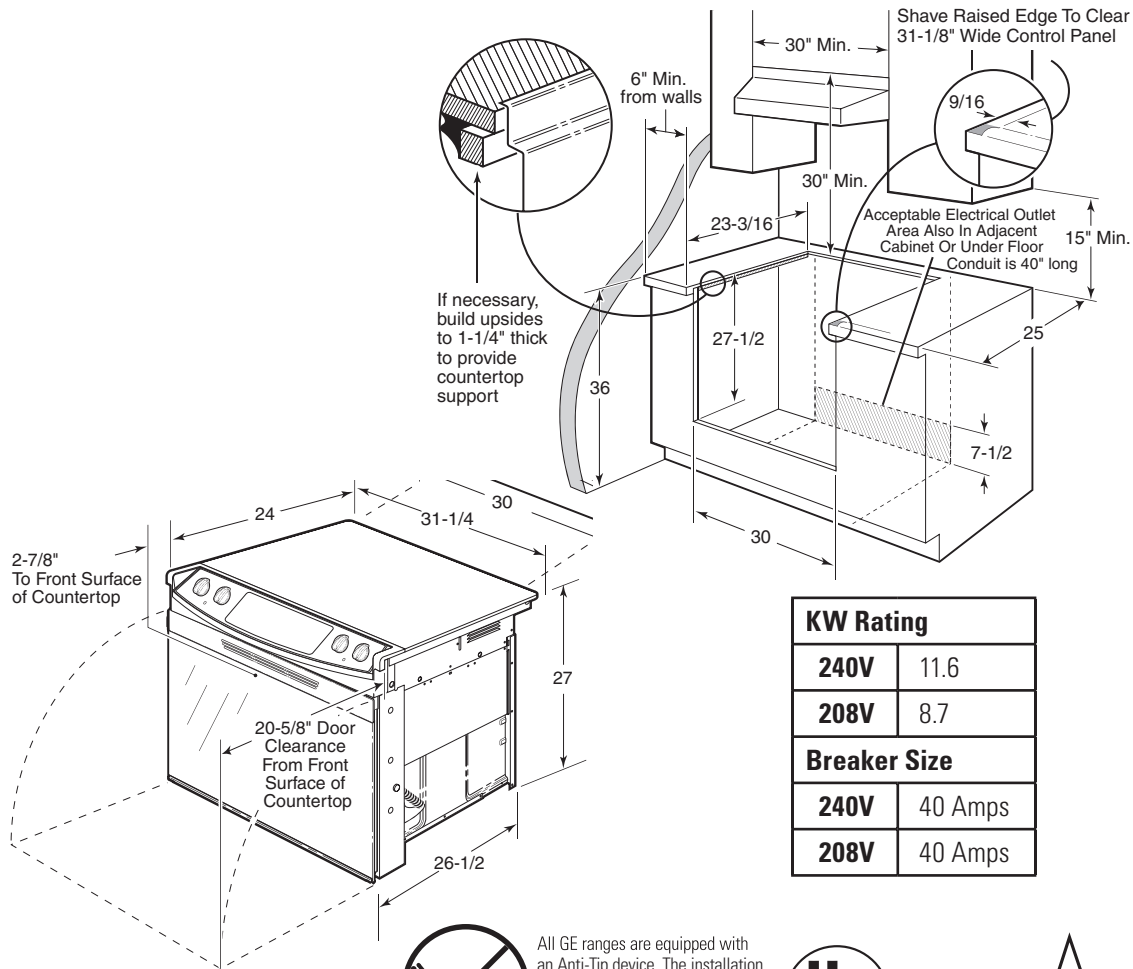




Profile™

JDP47BF/CF/WF – GE Profile™ 30" Drop-In Electric Range

Dimensions (in inches)



KW Rating	
240V	11.6
208V	8.7
Breaker Size	
240V	40 Amps
208V	40 Amps



All GE ranges are equipped with an Anti-Tip device. The installation of this device is an important, required step in the installation of the range.



Listed by Underwriters Laboratories



Optional Kits For Drop-In Electric Ranges

(Available At Additional Cost)

Maintop Filler

(Fills gap between cooktop and wall when unit is installed in 30" free-standing cutout)

- JXS66WW—White
- JXS66CC—Bisque
- JXS66BB—Black

Accessory Backguards

(Attaches to the back of range as a backguard when unit is installed in 30" free-standing cutout)

- JXS37WW—White
- JXS37CC—Bisque
- JXD37BB—Black/Stainless

Lower Trim Kits

(When a drop-in is installed in an existing cutout greater than 27-1/4" from the counter to the cabinet cross-rail, a lower trim kit should be used to fill the gap at the bottom of the range)

- JXS96WW—White
- JXS96CC—Bisque

Note: Cabinets installed adjacent to drop-in electric ranges must have an adhesion spec of at least a 194°F temperature rating.

Note: All 30" Drop-In Radiant Ranges conform to U.L. requirements for 0" spacing from range to adjacent walls below countertop. To reduce possibility of scorching the side walls above the countertop when no load is present on burners, it is recommended that a minimum 6" spacing from adjacent side wall be allowed for possible extended high-heat element operation.

Installation Information: Before installing, consult installation instructions packed with product for current dimensional data.

IMPORTANT: 30" DROP-IN RANGES ARE DESIGNED TO HANG FROM THE COUNTERTOP. IT DOES NOT REST ON THE FLOOR. FOR INSTALLATION ALTERNATIVES, REFER TO INSTALLATION INSTRUCTIONS PACKED WITH PRODUCT.

For answers to your Monogram,® GE Profile™ or GE appliance questions, visit our website at GEAppliances.com or call GE Answer Center® service, 800.626.2000.

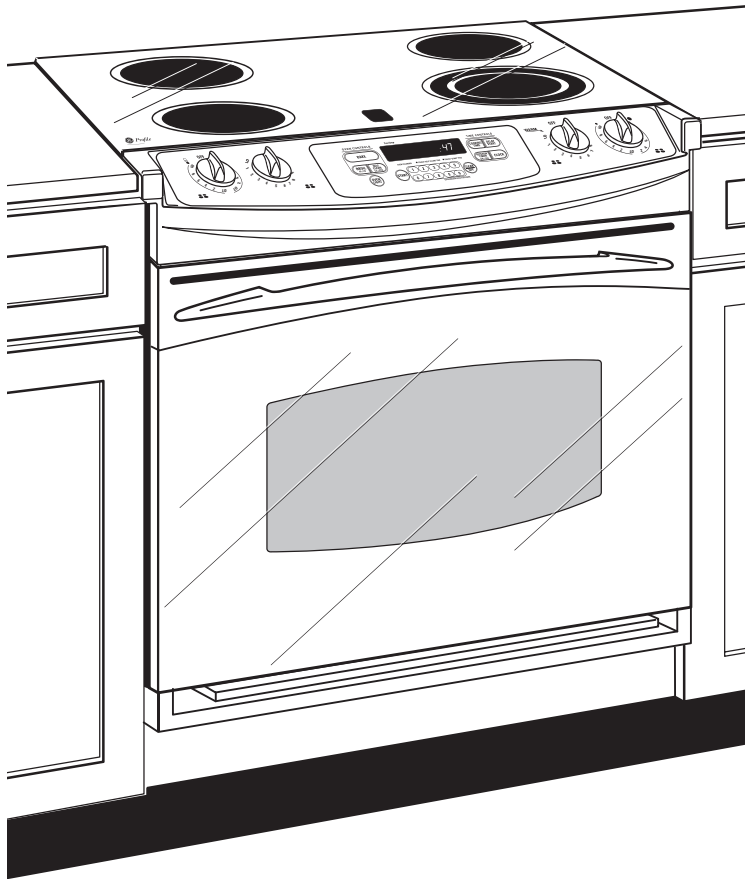
Specification Revised 9/04

220824



Profile™

JDP47BF/CF/WF – GE Profile™ 30" Drop-In Electric Range



Features and Benefits

- Self-Cleaning Super Large Capacity Oven with Automatic Oven Door Lock
- 4.4 cu. ft. Oven Capacity
- True Frameless Glass Oven Door with Big ClearView™ Window
- Ceramic-Glass Cooktop
- One Dual 6"/9" Element
- Two 8" and One 6" Ribbon Heating Elements
- TrueTemp™ System
- Six-Pass Bake Element
- SmartSet Electronic Oven Controls
- Custom Built-In Look with Simple Drop-In Installation
- Model JDP47WFWW – White on white
- Model JDP47BFBB – Black on black
- Model JDP47CFCC – Bisque on bisque