

JGB281DER

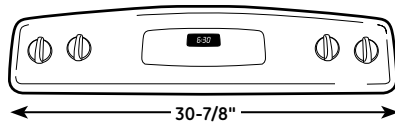
GE® 30" Free-Standing Gas Range

Dimensions and Installation Information (in inches)

Gas Self-Clean Range Anti-Tip Bracket
(Part No. 205C1714P001)

Electrical Rating: 120V, 60Hz, 5A

Installation Information: Before installing, consult installation instructions packed with product for current dimensional data.



All 30" GE gas and electric range backguards are 30-7/8" wide.*

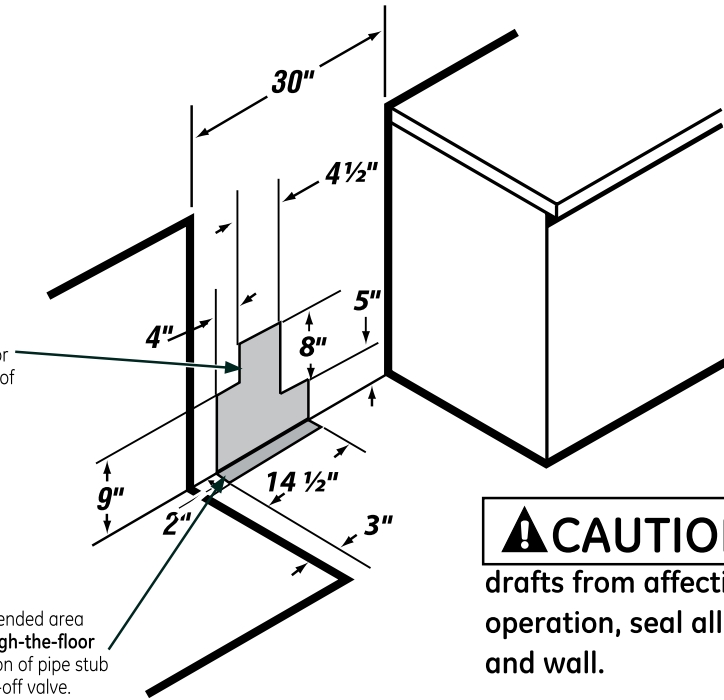
Note: 30" ranges conform to U.L. requirements for 0" spacing from adjacent walls below countertops. To reduce possible scorching of walls, engineering recommends a minimum of 1-1/2" spacing to allow for possible extended, high heat, no-load heating element operation.

*Except these models: JGBS07, JGBS04, all GE Profile free-standing electric and gas ranges
Fits most countertop backsplash applications.
Consult Use & Care Manual for detailed installation instructions.

For answers to your Monogram®, GE Profile™ or GE® appliance questions, visit our website at geappliances.com or call GE Answer Center® service, 800.626.2000.

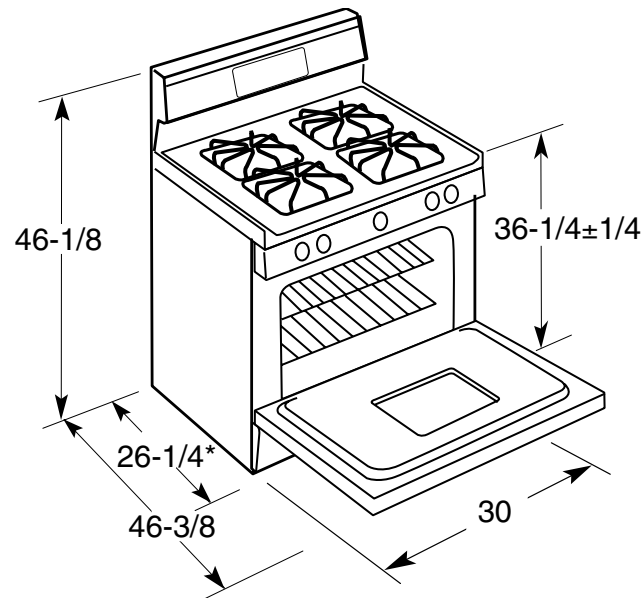


Recommended area for 120V outlet on rear wall and area for through-the-wall connection of pipe stub and shut-off valve.



Recommended area for through-the-floor connection of pipe stub and shut-off valve.

CAUTION To prevent drafts from affecting burner operation, seal all openings in floor and wall.



*Dimension from wall to front of closed door handle is 28-5/8".



All GE ranges are equipped with an Anti-Tip device. The installation of this device is an important, required step in the installation of the range.

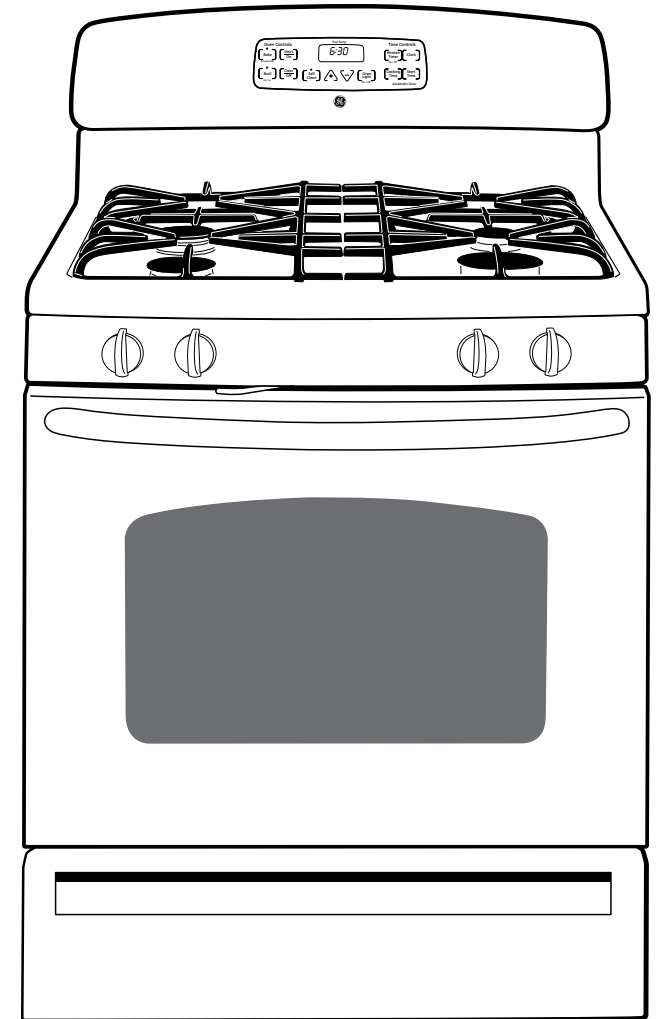


JGB281DER

GE® 30" Free-Standing Gas Range

Features and Benefits

- Self-clean oven–Cleans the oven cavity without the need for scrubbing
- 5.0 cu. ft. oven capacity–Enough room to cook an entire meal at once
- Heavy-cast, continuous grates–Matte-finish, connected cooktop grates provide a sturdy, uninterrupted surface that allows pots and pans to move easily
- Deep-recessed cooktop–Contains spills in one area for easy cleaning
- 15,000 BTU PowerBoil™ burner–Produces fast, intense heat
- Precise Simmer Burner–Delivers a low setting of 140 degrees, ideal for delicate foods and sauces
- Model JGB281DERBB - Black on black
- Model JGB281DERWW - White on white
- Model JGB281DERCC - Bisque on bisque



imagination at work