

JGBP86DEM

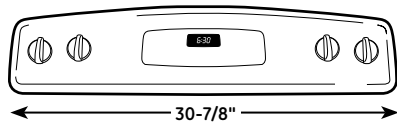
GE® 30" Free-Standing Self-Clean Gas Range

Dimensions and Installation Information (in inches)

Gas Self-Clean Range Anti-Tip Bracket (Part No. 205C1714P001)

Electrical Rating: 120V, 60Hz, 5A

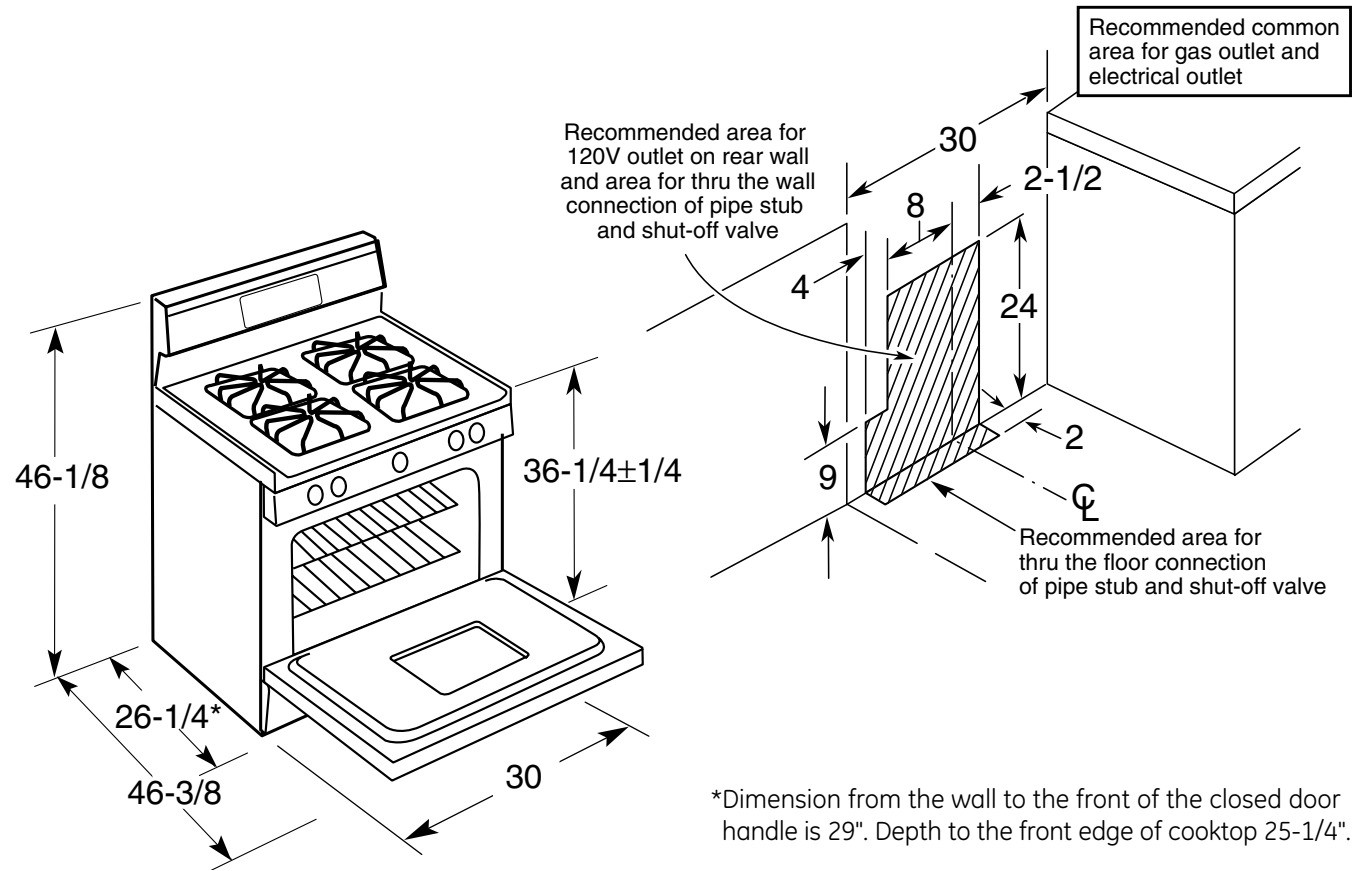
Installation Information: Before installing, consult installation instructions packed with product for current dimensional data.



All 30" GE gas and electric range backguards are 30-7/8" wide.*

Note: 30" ranges conform to U.L. requirements for 0" spacing from adjacent walls below countertops. To reduce possible scorching of walls, engineering recommends a minimum of 1-1/2" spacing to allow for possible extended, high heat, no-load heating element operation.

*Except these models: JGBS07, JGBS04, JGBP90, all GE Profile free-standing electric and gas ranges
Fits most countertop backsplash applications. Consult Use & Care Manual for detailed installation instructions.



*Dimension from the wall to the front of the closed door handle is 29". Depth to the front edge of cooktop 25-1/4".

For answers to your Monogram®, GE Profile™ or GE® appliance questions, visit our website at ge.com or call GE Answer Center® service, 800.626.2000.



All GE ranges are equipped with an Anti-Tip device. The installation of this device is an important, required step in the installation of the range.

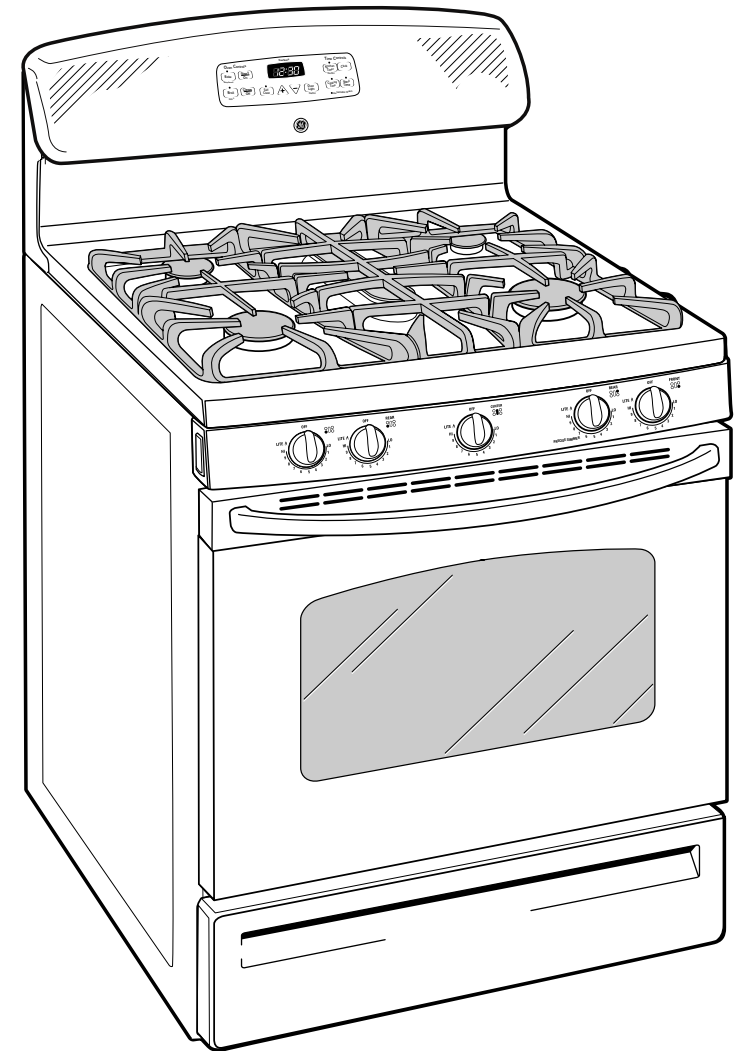


JGBP86DEM

GE® 30" Free-Standing Self-Clean Gas Range

Features and Benefits

- Self-Clean Oven - Conveniently cleans the oven cavity without need of scrubbing
- Extra-Large Oven Capacity - Provides a large oven interior ideal for cooking more items at once
- Deep Recessed Cooktop - Designed with a recessed surface to help contain spills and make cleaning easy
- Center Oval Burner - Adds a fifth element to the center of the cooktop, ideal for griddle or odd-size cookware
- Non-Stick Griddle - Offers a flat cooking surface, placed over the center oval burner, for cooking multiple foods at once
- PowerBoil™ 17,000 BTU Burner - Delivers 17,000 BTUs of forceful heat for rapid boiling
- QuickSet IV Oven Controls - Feature an easy to use design which allows you to set precise cooking temperatures
- Continuous Grates - Provide a flat, sturdy surface allowing easy movement of pans between burners
- Dishwasher-Safe Grates - Feature durable construction for worry-free and effortless cleaning and maintenance
- Sealed Cooktop Burners - Eliminate the space between the burners and the cooktop to help contain spills and boil over liquids, ensuring easy cleanup
- TrueTemp™ System - Delivers even heat distribution and maximum oven control
- Model JGBP86DEMWW - White on white
- Model JGBP86DEMBB - Black on black



imagination at work