

# JGBP89SEM

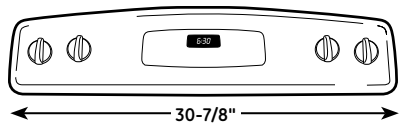
## GE® 30" Free-Standing Self-Clean Gas Range

### Dimensions and Installation Information (in inches)

#### Gas Self-Clean Range Anti-Tip Bracket (Part No. 205C1714P001)

**Electrical Rating:** 120V, 60Hz, 15A

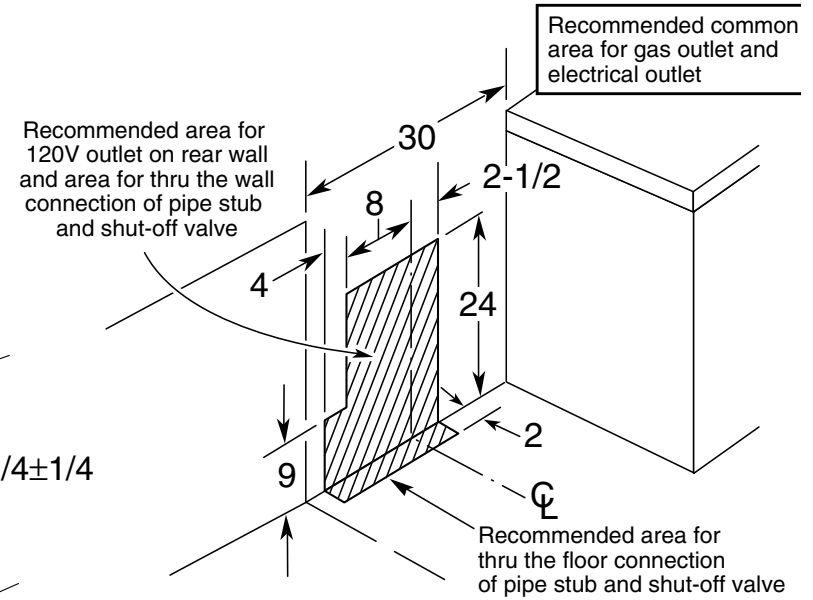
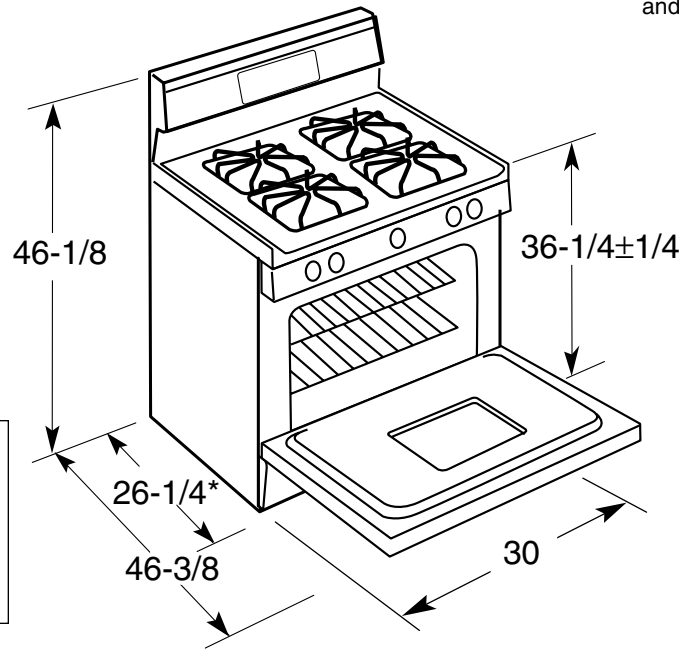
**Installation Information:** Before installing, consult installation instructions packed with product for current dimensional data.



All 30" GE gas and electric range backguards are 30-7/8" wide.\*

**Note:** 30" ranges conform to U.L. requirements for 0" spacing from adjacent walls below countertops. To reduce possible scorching of walls, engineering recommends a minimum of 1-1/2" spacing to allow for possible extended, high heat, no-load heating element operation.

\*Except these models: JGBS07, JGBS04, JGBP90, all GE Profile free-standing electric and gas ranges  
Fits most countertop backsplash applications.  
Consult Use & Care Manual for detailed installation instructions.



\*Dimension from the wall to the front of the closed door handle is 29". Depth to the front edge of cooktop 25-1/4".

For answers to your Monogram®, GE Profile™ or GE® appliance questions, visit our website at [ge.com](http://ge.com) or call GE Answer Center® service, 800.626.2000.



All GE ranges are equipped with an Anti-Tip device. The installation of this device is an important, required step in the installation of the range.

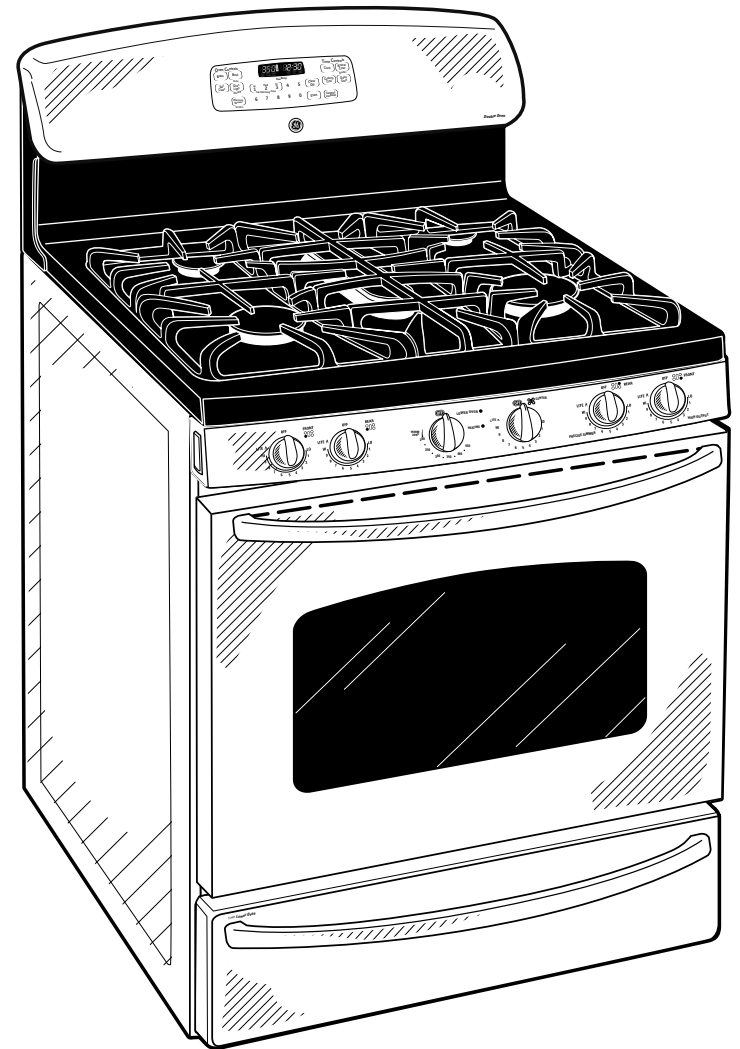


# JGBP89SEM

## GE® 30" Free-Standing Self-Clean Gas Range

### Features and Benefits

- Self-Clean Oven - Conveniently cleans oven cavity without the need for scrubbing
- Extra-Large Oven Capacity - Provides a large oven interior ideal for cooking more items at once
- Deep Recessed Cooktop - Designed with a recessed surface to help contain spills and make cleaning easy
- Center Oval Burner - Adds a fifth element to the center of the cooktop to accommodate large cookware and deliver ideal results
- Non-Stick Griddle - Offers a flat cooking surface, placed over the center oval burner, for cooking multiple foods at once
- PowerBoil™ 16,000 BTU Burner - Delivers 16,000 BTUs of forceful heat for rapid boiling
- Baking Drawer - Offers an additional 1.0 cu. ft. of capacity for convenient baking from 150 degrees to 450 degrees
- QuickSet V Oven Controls - Feature an easy to use design that allows you to set precise cooking temperatures
- Precise Simmer Burner - Delivers a low setting of 140 degrees, ideal for delicate foods and sauces
- Continuous Grates - Provide a flat, sturdy surface allowing easy movement of pans between burners
- Model JGBP89SEMSS - Stainless steel



imagination at work