

JGBS07DEM

GE® 30" Free-Standing Standard Clean Gas Range

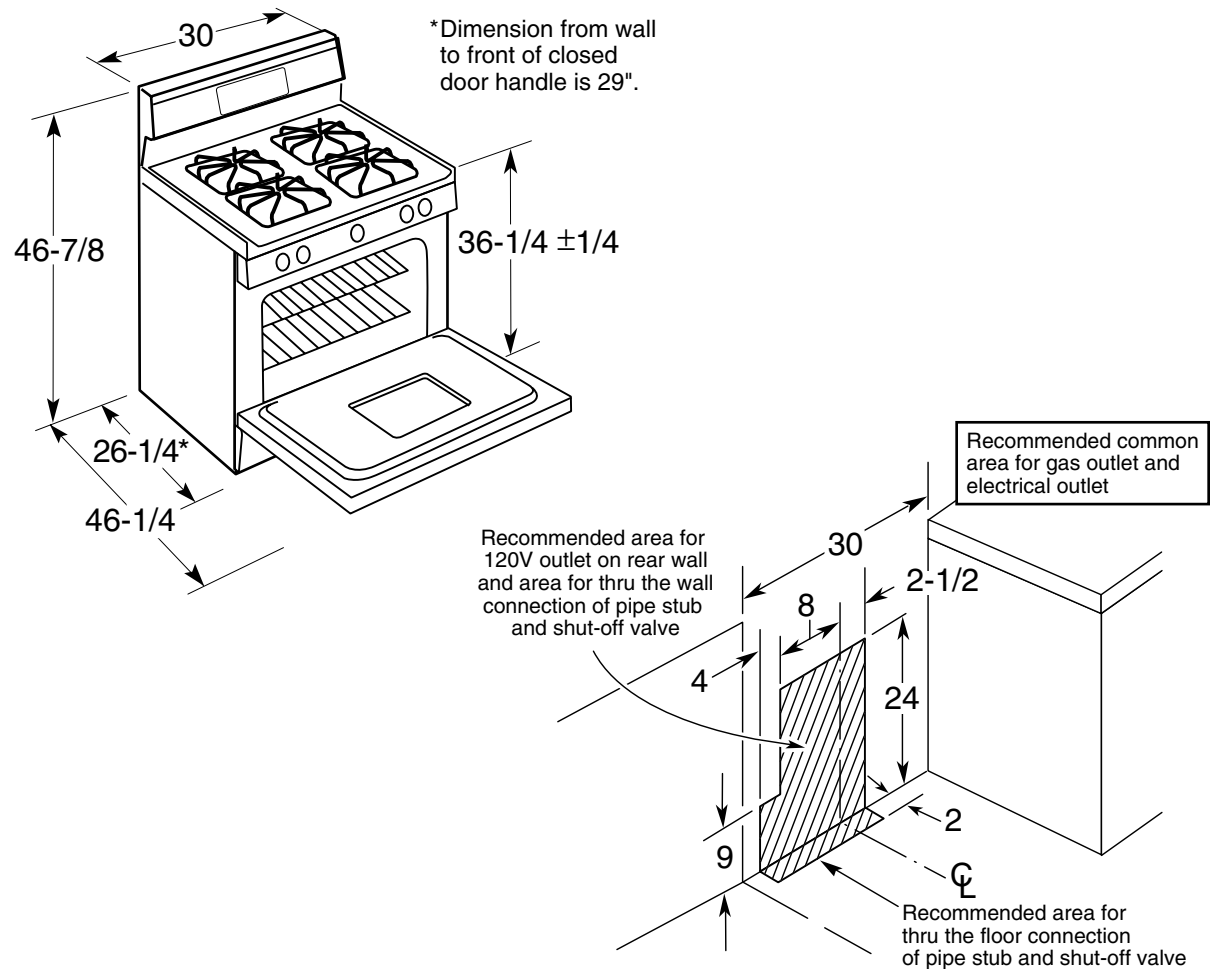
Dimensions and Installation Information (in inches)

Factory set for Natural gas. A set of LP orifices is included with each range for LP conversion.

Gas Self-Clean Range Anti-Tip Bracket (Part No. 205C1714P001)

Electrical Rating: 120V, 60Hz, 5A

Installation Information: Before installing, consult installation instructions packed with product for current dimensional data.



For answers to your Monogram®, GE Profile™ or GE® appliance questions, visit our website at ge.com or call GE Answer Center® service, 800.626.2000.



imagination at work



All GE ranges are equipped with an Anti-Tip device. The installation of this device is an important, required step in the installation of the range.



Specification Revised 7/07

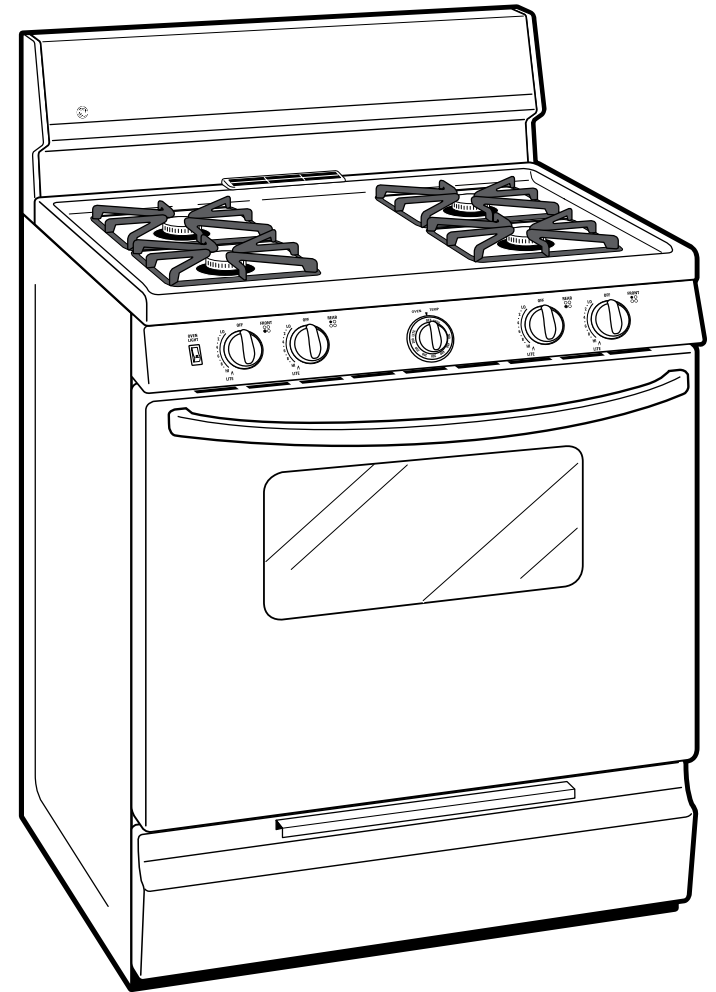
330583

JGBS07DEM

GE® 30" Free-Standing Standard Clean Gas Range

Features and Benefits

- Extra-Large Oven Capacity - Provides a large oven interior ideal for cooking more items at once
- Standard Clean Oven - Offers a traditional oven design that requires hand cleaning
- All Purpose Burners - Deliver a wide range of heat output ideal for most cooking requirements
- Standard Grates - Provide a sturdy and convenient cookware surface for everyday cooking
- ClearView™ Window - Features a convenient viewing area to check the progress of food
- Two Oven Racks - Feature a durable construction to help accommodate any size or type of cookware
- Six Rack Positions - Provides flexibility and allows consumers to make the most of available oven capacity
- Interior Oven Light - Supplies light to make viewing the progress of cooking easy and convenient
- Electronic Ignition - Ensures a continuous flame and reignites automatically if accidentally extinguished
- Easy Clean Subtop - Porcelain enameled subtop collects spills and messes for easy cleaning
- Model JGBS07DEMWW - White on white
- Model JGBS07DEMCC - Bisque on bisque
- Model JGBS07DEMBB - Black on black



imagination at work