

JMP31WC/CL/BL

GE Profile™ 27" Drop-In Electric Range

Dimensions and Installation Information (in inches)

KW Rating	
240V	9.8
208V	7.3

Note: Cabinets installed adjacent to drop-in ranges must have an adhesion spec of at least 194° temperature rating.

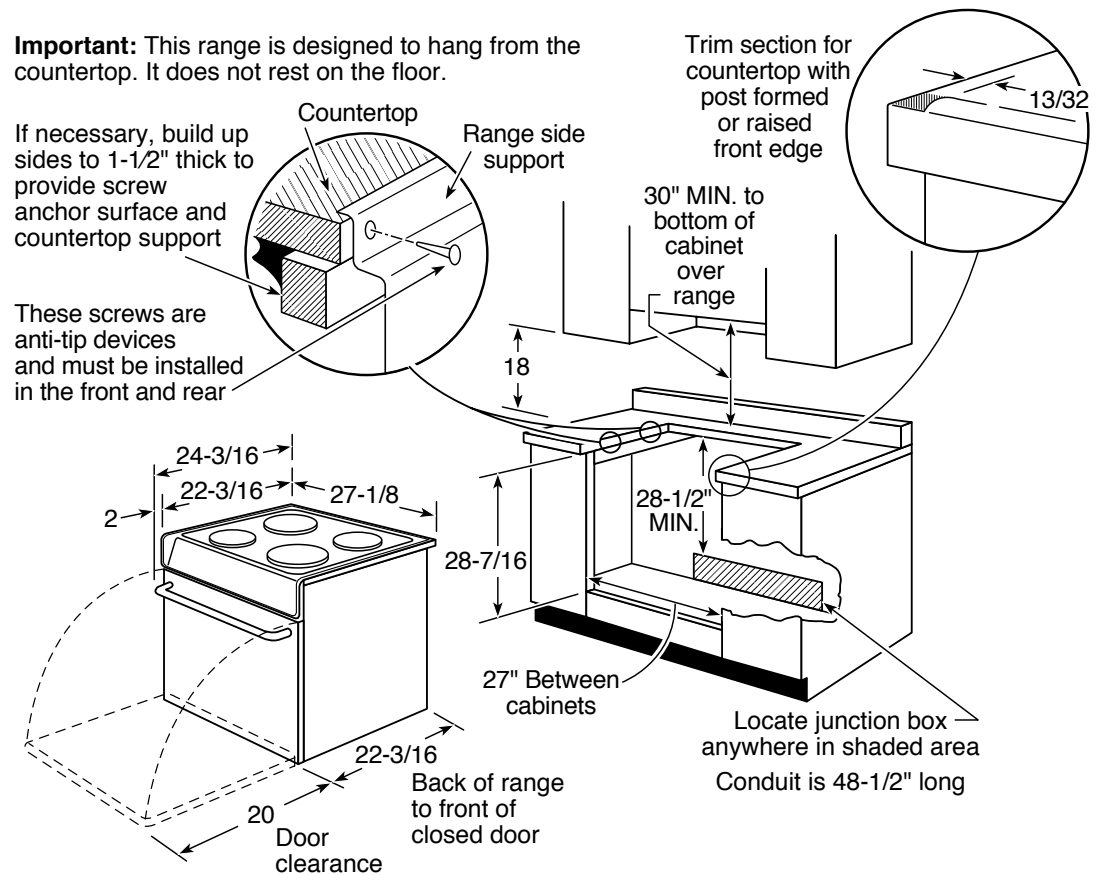
Optional Backguard

(Available at additional cost)
 JX27RBK (Black)
 JX27RWH (White)
 JX27RCD (Bisque)

Note: All 27" Drop-In Electric Ranges conform to U.L. requirements for minimum spacing between range and side walls below countertop.

Installation Information:

Before installing, consult installation instructions packed with product for current dimensional data.



For answers to your Monogram®, GE Profile™ or GE® appliance questions, visit our website at ge.com or call GE Answer Center® service, 800.626.2000.



imagination at work



All GE ranges are equipped with an Anti-Tip device. The installation of this device is an important, required step in the installation of the range.



Listed by Underwriters Laboratories

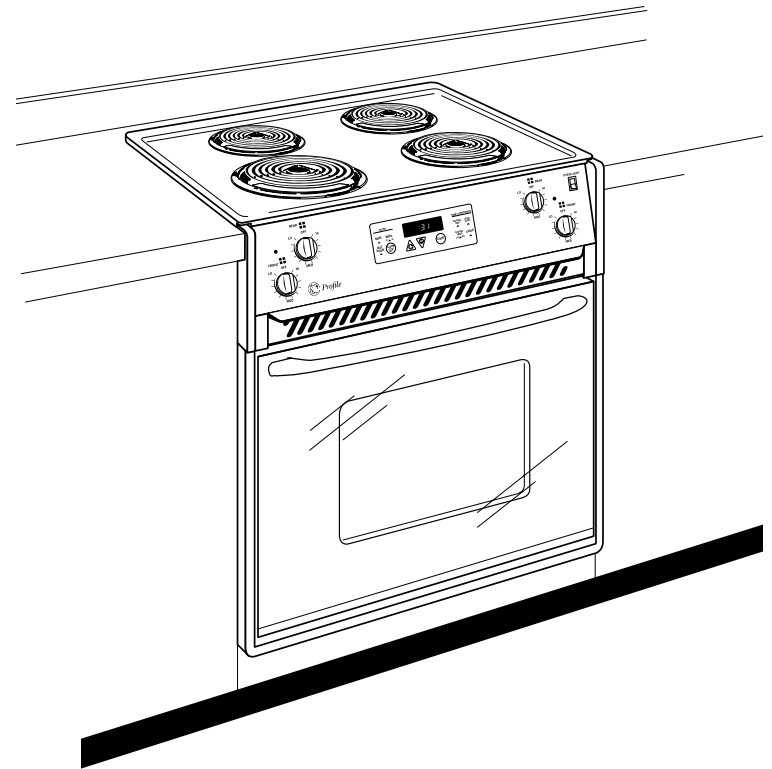


JMP31WC/CL/BL

GE Profile™ 27" Drop-In Electric Range

Features and Benefits

- Self-Clean Oven - Conveniently cleans the oven cavity without the need for scrubbing
- Coil Heating Elements - Provides consistent and even heat on the cooktop with a plug-in element that is removable for easy cleaning
- Electronic Clock and Timer - Features a convenient digital clock and easy-to-use timer with an audible signal to help coordinate cooking times in the kitchen
- Big ClearView™ Window - An extra large clear window makes monitoring the progress of food easy
- Dual Element Bake - Alternates the upper broiling element and the lower baking element for even heating and optimal baking results
- Lift-Up Porcelain Cooktop - Makes spills and messes under the cooktop easily accessible and within reach
- Frameless Glass Oven Door - Offers an easy-to-clean and stylish design that blends seamlessly into existing cabinetry
- Chrome Drip Bowls - Contain minor spills and are removable for easy cleaning
- Two Oven Racks - Feature a durable construction to help accommodate any size or type of cookware
- Multiple Oven Rack Positions - Delivers flexibility and allows consumers to make the most of available oven capacity
- Interior Oven Light - Supplies light to make viewing the progress of cooking easy and convenient
- Model JMP31WCWW - White on white
- Model JMP31CLCC - Bisque on bisque
- Model JMP31BLBB - Black on black



imagination at work