

JSP42WK/CK/BK

GE® 30" Slide-In Electric Range

Dimensions and Installation Information

KW Rating	
240V	10.8
208V	8.1

Models are shipped with color-matched Rear Filler Strip Kit. Optional Kits For Slide-In Electric Ranges (Available at additional cost)

Lower/Side Trim Kits Accessory Backguards

JXS56 - Lower Trim Kit JXS37 - Backguard
 JXS86 - Vertical Side Trim Kit JXS77 - Body Sides

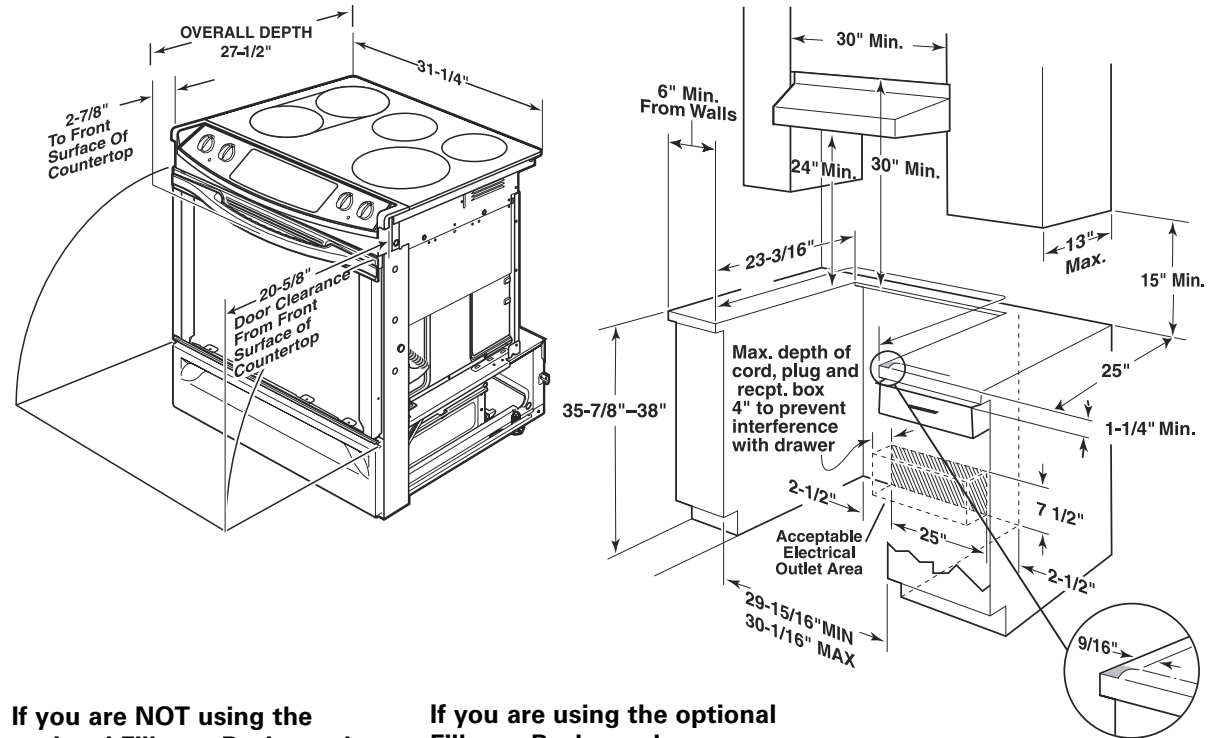
Note: To reduce possibility of scorching of the side wall adjacent to the heating elements, it is recommended a minimum of 6" spacing from adjacent side walls be allowed for possible extended, high-heat, no-load operation of heating elements.

Receptacle Location: For all 30" Slide-In Ranges locally approved flexible service cord or conduit must be used because terminals are not accessible after range installation. See shaded area in drawing for location of electrical outlet box. Recommended outlet locations allow range to be installed directly against rear wall.

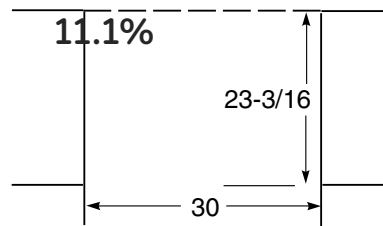
Note: Cabinets installed adjacent to slide-in ranges must have an adhesion spec of at least 194°.

Installation Information: Before installing, consult installation instructions packed with product for current dimensional data.

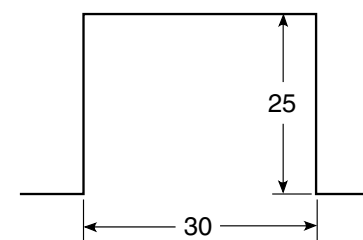
For answers to your Monogram®, GE Profile™ or GE® appliance questions, visit our website at ge.com or call GE Answer Center® service, 800.626.2000.



If you are NOT using the optional Filler or Backguard:



If you are using the optional Filler or Backguard:



Shave Raised Edge To Clear 31-1/8" Wide Control Panel

Dimension and installation information are shown in inches.



All GE ranges are equipped with an Anti-Tip device. The installation of this device is an important, required step in the installation of the range.



Listed by Underwriters Laboratories

Specification Created 11/04

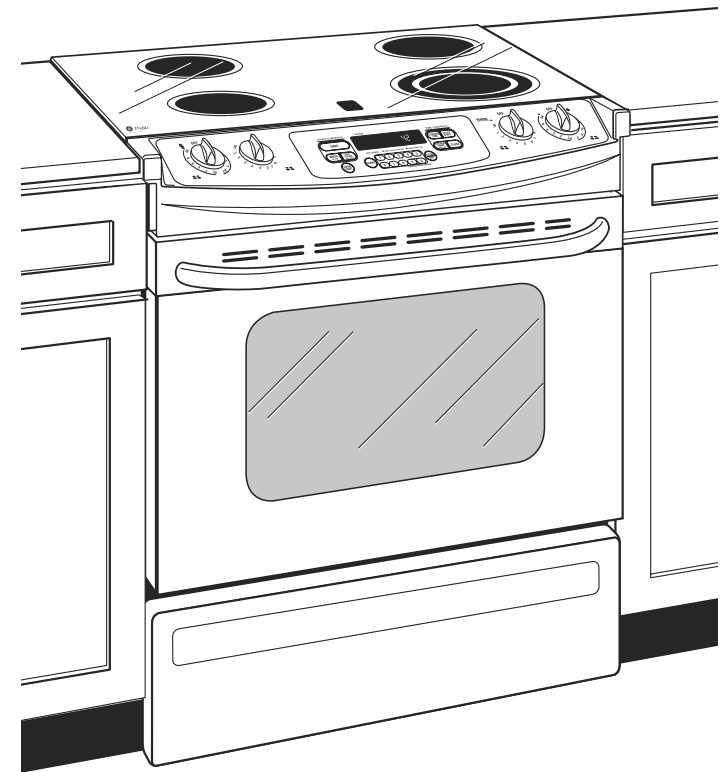
320644

JSP42WK/CK/BK

GE® 30" Slide-In Electric Range

Features and Benefits

- Self clean oven - Conveniently cleans the oven cavity without need of scrubbing
- Electronic oven controls - One-touch electronic pads are easy-to-use and allow for simple oven operation
- Dual size ribbon element - Offers a convenient choice of using a 6" or 9" heating element, depending on the size of the pan
- Super large oven capacity - Provides the impressively large oven interior for cooking more dishes and large meals at one time
- Ribbon heating elements - Provide powerful heat beneath a smooth glass surface to ensure even heat and fast warm-up times
- Ceramic glass cooktop - A smooth cooktop surface makes cleaning quick and easy
- Two oven racks - Feature a durable construction to help accommodate any size or type of cookware
- Certified Sabbath Mode - Prepared foods can stay warm in accordance with kosher law
- Big ClearView™ window - An extra large clear window makes monitoring the progress of the food easy
- Frameless glass oven door - Offers an easy-to-clean and stylish design that blends seamlessly into existing cabinetry
- Interior oven light - Supplies light to make viewing the progress of cooking easy and convenient
- Model JSP42WKWW - White on white (white door and white cooktop)
- Model JSP42CKCC - Bisque on bisque (bisque door and bisque cooktop)
- Model JSP42BKBB - Black on black (black door and black cooktop)



imagination at work