

# JSP46SN

## GE® 30" Slide-In CleanDesign Electric Range

### Dimensions and Installation Information (in inches)

KW Rating	
240V	12.4
208V	9.3

**Note:** Cabinets installed adjacent to slide-in ranges must have an adhesion spec of at least 194° temperature rating.

**Note:** To reduce the possibility of scorching the side walls above the countertop when no load is present on burners, it is recommended that a minimum 6" spacing from adjacent side wall be allowed for possible extended high-heat element operation.

**Receptacle Locations:** For all 30" Slide-In Ranges locally approved flexible service cord or conduit must be used because terminals are not accessible after range installation. See shaded area in drawing for location of electrical outlet box. Recommended outlet locations allow range to be installed directly against rear wall.

**Optional Kits For Slide-In Electric Ranges**  
(Available At Additional Cost)

**Accessory Backguards**  
(Attaches to the back of range as a backguard when unit is installed in 30" free-standing cutout)

JXS32SS (Stainless) - 4" High  
JXS32BB (Black) - 4" High  
JXS37BB (Black) - 5-1/4" High

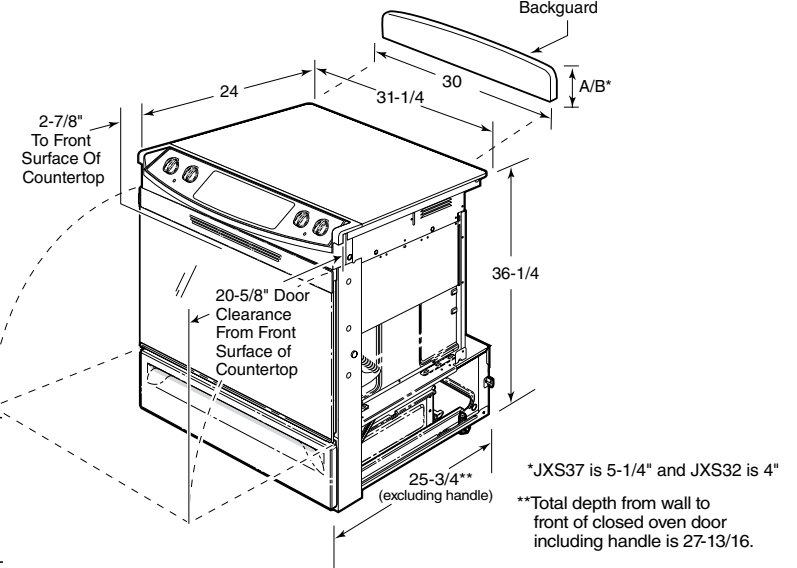
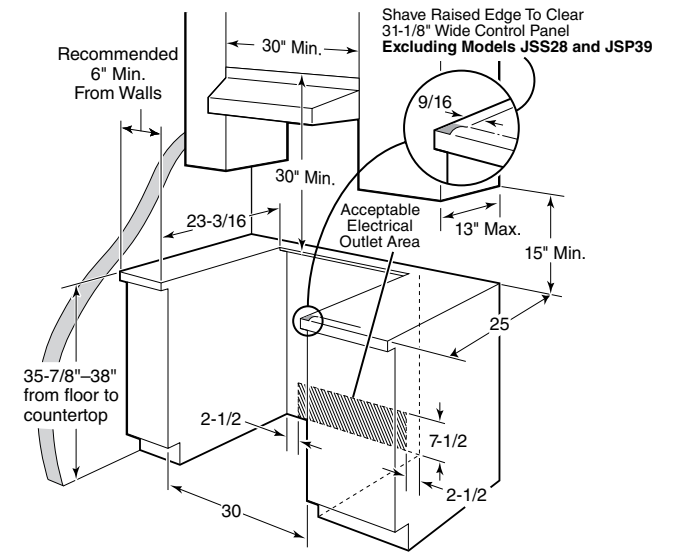
**Body Sides**  
(Slide-in ranges are sold without sides installed. Can be installed on either left or right when unit has one exposed side [no cabinet adjacent]. Kit contains 1 body side)

JXS77BB (Black)

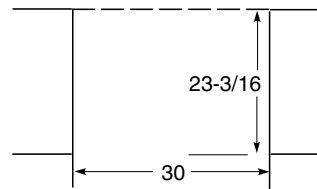
**Rear Filler Strip**  
WB07T10680 - Black Filler Strip Assembly

**Optional Lower Trim Kits**  
(If counter height is greater than 36.5", a lower trim kit is recommended to extend the useful height to 38" maximum)

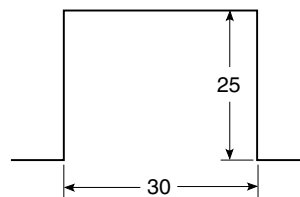
JXS56BB - Black



**If you are NOT using the optional Filler or Backguard:**



**If you are using the optional Filler or Backguard:**



For answers to your Monogram®, GE Profile™ or GE® appliance questions, visit our website at [ge.com](http://ge.com) or call GE Answer Center® service, 800.626.2000.

Dimension and installation information are shown in inches.



All GE ranges are equipped with an Anti-Tip device. The installation of this device is an important, required step in the installation of the range.



Listed by Underwriters Laboratories

Specification Revised 7/09

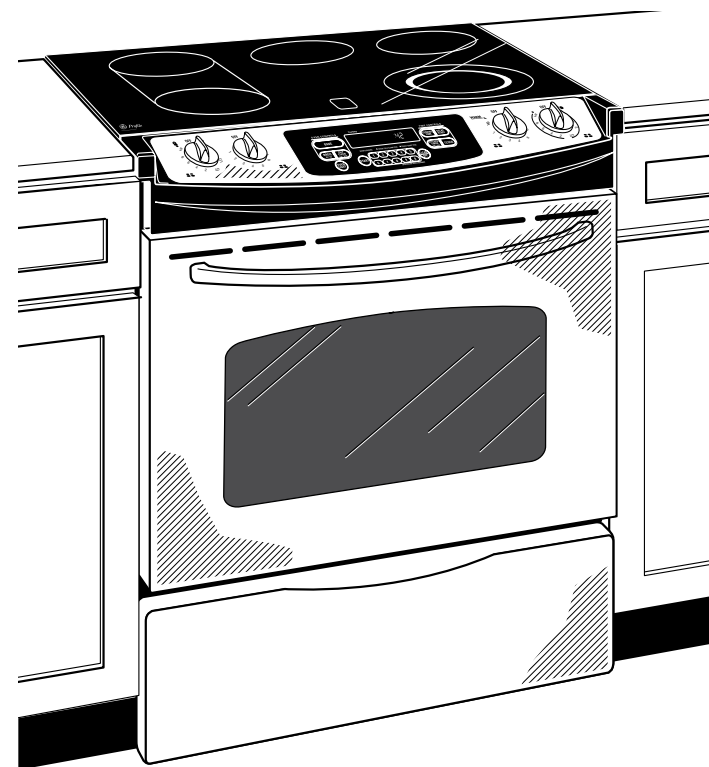
320648

# JSP46SN

## GE® 30" Slide-In CleanDesign Electric Range

### Features and Benefits

- Self-Clean Oven - Conveniently cleans the oven cavity without need of scrubbing
- PreciseAir™ Convection System - Delivers even air and heat circulation for superior baking and roasting results
- True European Convection - A third dual-loop heating element surrounds the fan to deliver uniform and savory cooking results
- Electronic Oven Controls - One-touch electronic pads are easy-to-use and allow for simple oven operation
- PowerBoil™ Element - Accommodates various-size pots or pans and 3,000 watts of power speeds the boiling process
- Bridge Element - Combines three cooktop elements into one large cooking area, ideal for oversized cooking pans
- Super-Large Oven Capacity - Provides an impressively large oven interior for cooking more dishes and large meals at one time
- Two Oven Racks - Feature a durable construction to help accommodate any size or type of cookware
- Ribbon Heating Elements - Provide powerful heat beneath a smooth glass surface to ensure even heat and fast warm-up times
- Big Hearth Window - Features an enhanced shape to add an elegant appearance and make viewing trouble-free
- Model JSP46SNSS - Stainless steel



imagination at work

Specification Revised 7/09

320648