

P2B912DEM

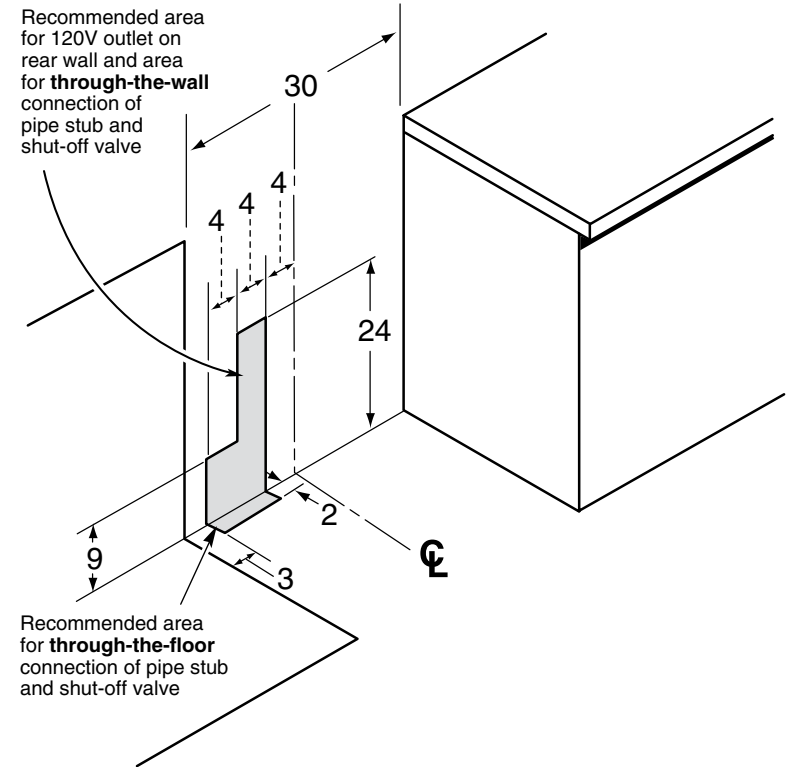
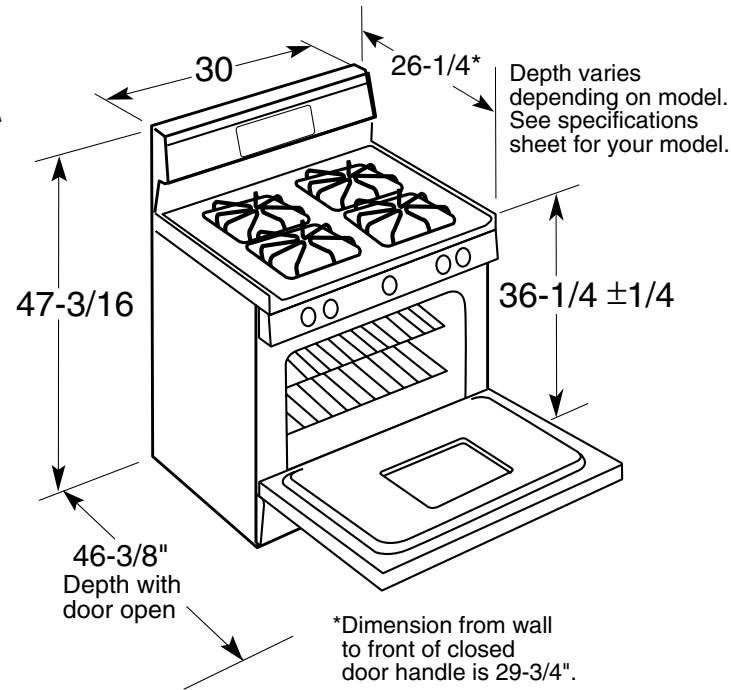
GE Profile™ 30" Free-Standing Dual-Fuel Range

Dimensions and Installation Information (in inches)

Note: Dimension from the wall to the front of the closed door handle is 29".
 Depth to front edge of cooktop 25-1/4".
 Factory set for Natural Gas. A set of LP orifices is included with each range for LP conversion.

Installation Information: Before installing, consult installation instructions packed with product for current dimensional data

Electrical Rating: 120V; 60Hz; 15A



For answers to your Monogram®, GE Profile™ or GE® appliance questions, visit our website at ge.com or call GE Answer Center® service, 800.626.2000.



All GE ranges are equipped with an Anti-Tip device. The installation of this device is an important, required step in the installation of the range.

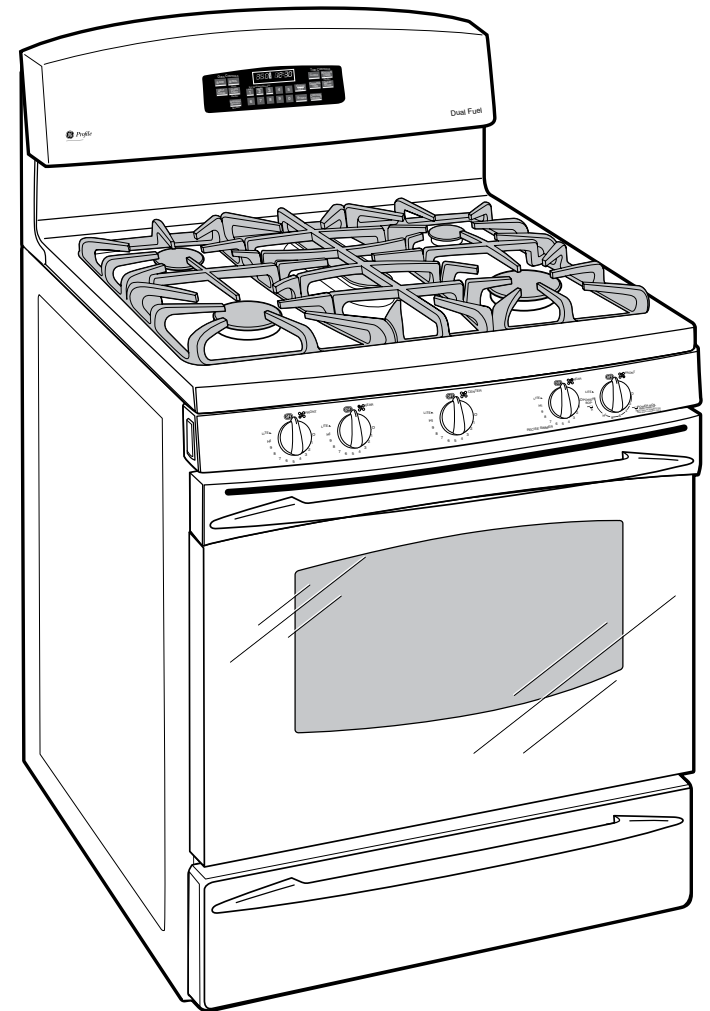


P2B912DEM

GE Profile™ 30" Free-Standing Dual-Fuel Range

Features and Benefits

- Electric Oven with Gas Assist - Includes gas assist to increase heat output and reduce the wait it takes to reach the desired temperature setting
- 120-Volt Installation - Allows the dual-fuel range to be plugged into a standard household outlet
- Deep Recessed Cooktop - Designed with a recessed surface to help contain spills and make cleaning easy
- Center Oval Burner - Adds a fifth element to the center of the cooktop, ideal for griddle or odd-size cookware
- Non-Stick Griddle - Offers a flat cooking surface, placed over the center oval burner, for cooking multiple foods at once
- PowerBoil™ 17,000 BTU Burner - Delivers 17,000 BTUs of forceful heat for rapid boiling
- Warming Drawer - Convenient drawer keeps breads, desserts or just-cooked foods warm and ready-to-serve
- Stainless Appearance Knobs - Deliver the sleek metallic color of stainless steel for a universally appealing look
- Precise Simmer Burner - Delivers a low setting of 140 degrees, ideal for delicate foods and sauces
- QuickSet VI Glass Touch Oven Controls - A smooth glass design that is easy-to-operate and easy-to-clean
- Model J2B912DEMWW - White on white
- Model J2B912DEMBB - Black on black



imagination at work